

PFAFF®

**coverlock
4872 - 4862- 4852**

**coverstyle
4850**

**Ersatzteile-Liste
List of spare parts
Liste des pièces détachées
Catalogo pezzi staccati
Lista de piezas de repuesto**

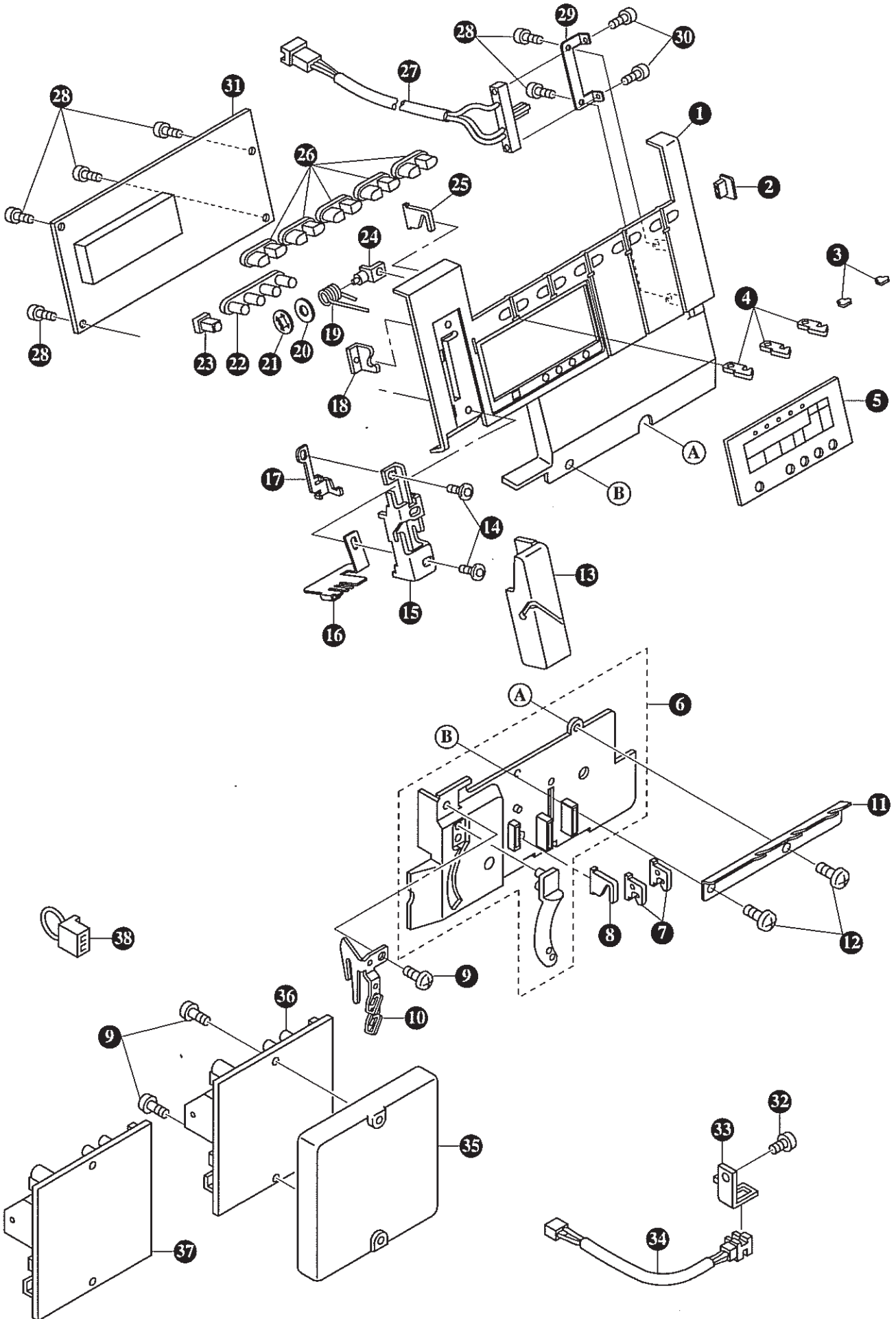
Nicht nummerierte Teile im Katalog werden nicht geliefert.

Les pièces qui ne sont pas numérotées dans la liste de pièces détachées ne peuvent pas être livrées.

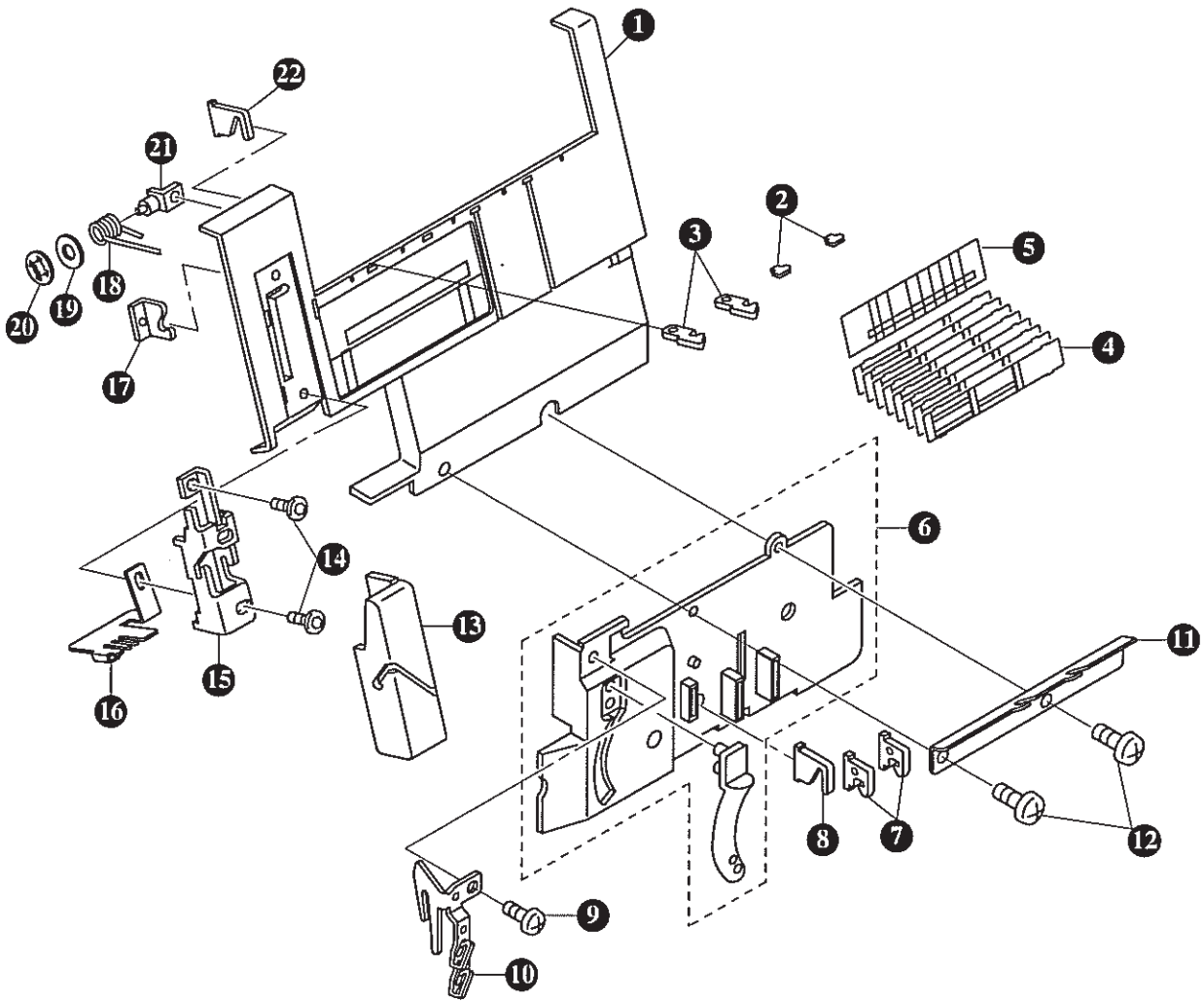
The parts mentioned without number in the parts lists are not available.

coverstyle 4850

NOTE! For the parts that is not specific for coverstyle 4850 can parts from the Pfaff coverlock 4852/ 4872 / 62 be used.

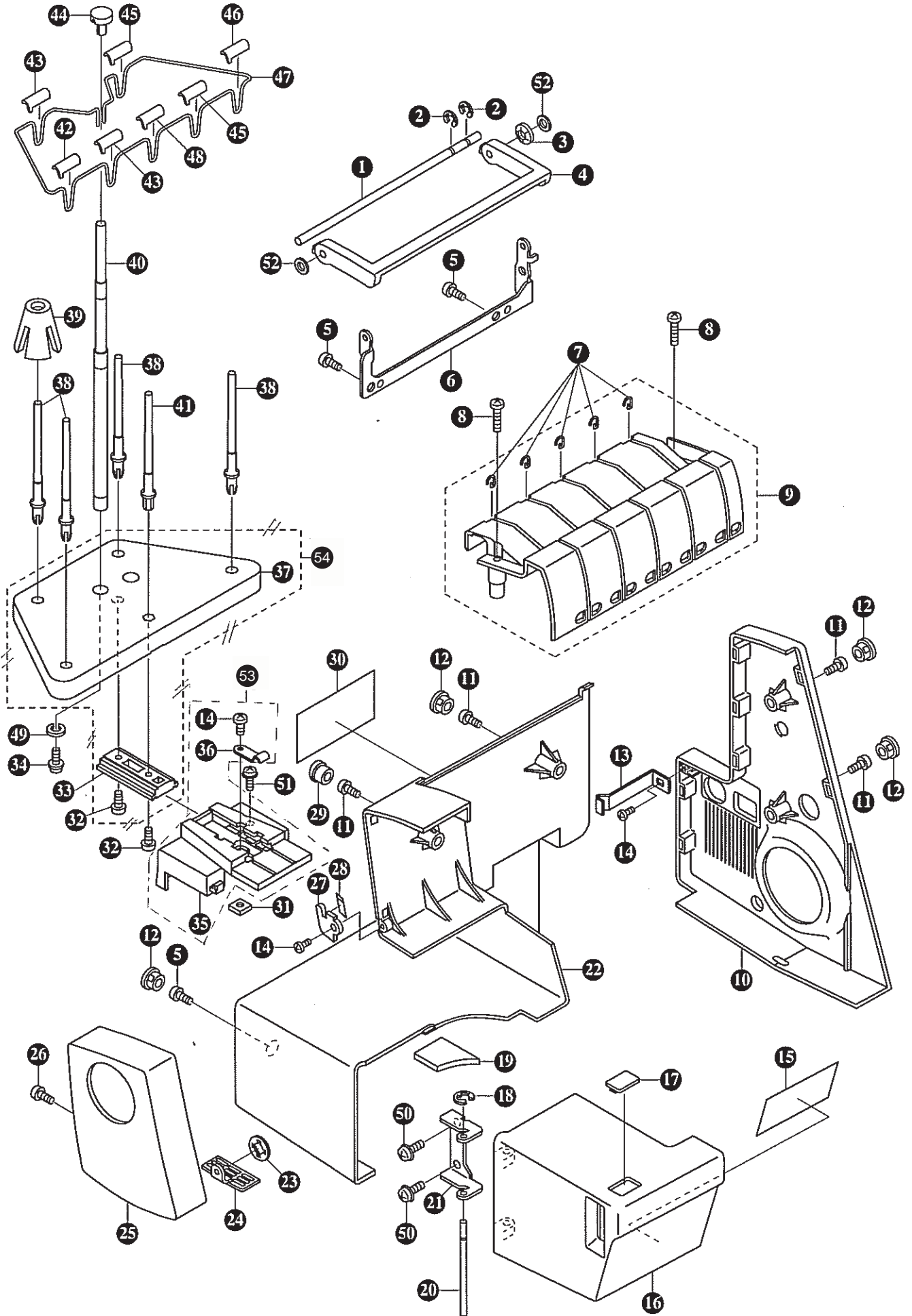


Pos	Part number	Description
1	2992499381205	FRONT PANEL
2	2992499381124	SPEED REDUCER KNOB
3	2992499381606	TOP THREAD GUIDE
4	2992499381176	THREAD GUIDE
5	2992499381173	DISPLAY WINDOS
6	2992499381284	INSIDE COVER COMPLETE SET 4872
7	2992499381713	CS THREAD GUIDE NO. 10406
8	2992499381793	GUIDE YELLOW & GREEN
9	2992499381414	SCREW M 4 X 12
10	2992499381289	THREAD GUIDE
11	2992499381129	THREAD GUIDE PLATE 4872
12	2992499381407	SCREW M 4 X 10
13	2992499381313	TAKE UP LEVER NOISE COVER ASSE
14	2992499381515	NEEDLE PLATE FOR PERL FOOT
15	2992499381676	TAKE UP LEVER
16	N/S	NEEDLE THREAD GUIDE
17	2992499381729	COVER HEM THREAD GUIDE
18	2992499381688	NEEDLE THREAD GUIDE
19	2992499381600	CHECK SPRING
20	N/S	WASHER
21	2992499381400	CLIP RING
22	N/S	LCD (PROGRAM/MEMORY)
23	N/S	LCD -TENSION RELEASE
24	2992499381601	CHECK SPRING STUD
25	2992499381175	CS THREAD BASE GUIDE
26	2992499381207	LCD FUNCTION KEY/TENSION +/-
27	2992499381226	SPEED REDUCER
28	2992499381490	TAPPING SCREW M 3 x 8,5
29	2992499381158	SPEED REDUCER HOLDER
30	2992499381347	SCREW M 2 x 3
31	2992499381200	LCD DISPLAY PCD 4872
32	2992499381405	SCREW M 4 x 8
33	2992499381617	BRACKET
34	2992499381616	NEEDLE POSITION SENSOR
35	2992499381605	PCB INSULATION CASE
36	2992499381342	MAIN PCB 120V
37	2992499381343	MAIN PCB 230V
38	N/S	JUMPER HARNESS



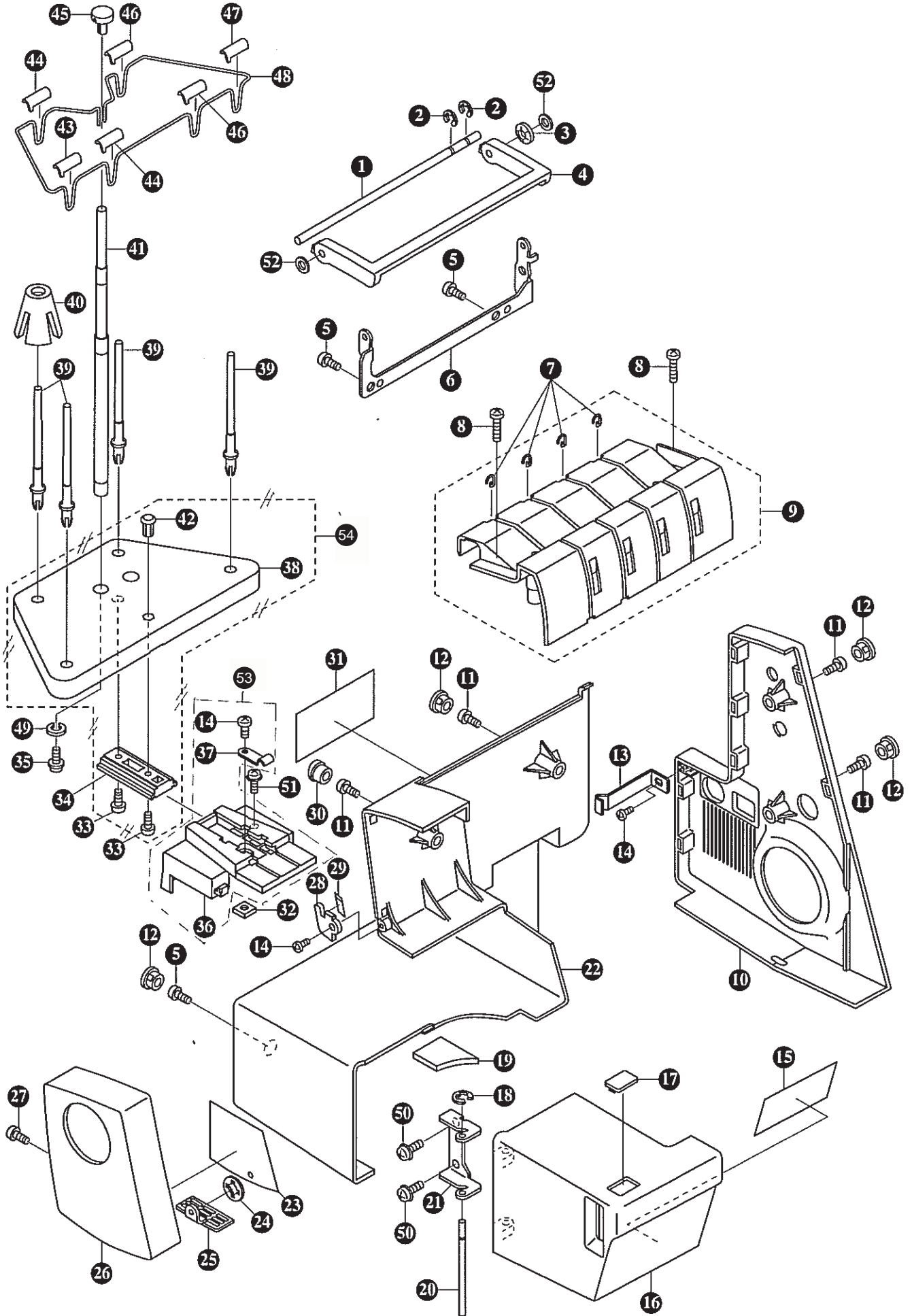
Pos	Part number	Description
1	2992499381100	FRONT COVER (4862) 11100
2	2992499381606	TOP THREAD GUIDE
3	2992499381176	THREAD GUIDE
4	2992499381203	SEWING PROGRAM CARD EN/FR
	2992499381292	SEWING PROGRAM CARD DE/IT
	2992499381293	SEWING PROGRAM CARD CS/SK
	2992499381294	SEWING PROGRAM CARD PL/RU
	2992499381295	SEWING PROGRAM CARD PL/RU
	2992499381296	SEWING PROGRAM CARD PL/RU
	2992499381297	SEWING PROGRAM CARD PL/RU
	2992499381298	SEWING PROGRAM CARD PL/RU
5	2992499381174	DISPLAY WINDOS
6	2992499381284	INSIDE COVER COMPLETE SET 4872
7	2992499381713	CS THREAD GUIDE NO. 10406
8	2992499381793	GUIDE YELLOW & GREEN
9	2992499381414	SCREW M 4 X 12
10	2992499381289	THREAD GUIDE
11	2992499381128	Thread Guide Plate
12	2992499381407	SCREW M 4 X 10
13	2992499381313	TAKE UP LEVER NOISE COVER ASSE
14	2992499381515	NEEDLE PLATE FOR PERL FOOT
15	2992499381676	TAKE UP LEVER
16	N/S	NEEDLE THREAD GUIDE
17	2992499381688	NEEDLE THREAD GUIDE
18	2992499381600	CHECK SPRING
19	N/S	WASHER
20	2992499381400	CLIP RING
21	2992499381601	CHECK SPRING STUD
22	2992499381175	CS THREAD BASE GUIDE

2 4872



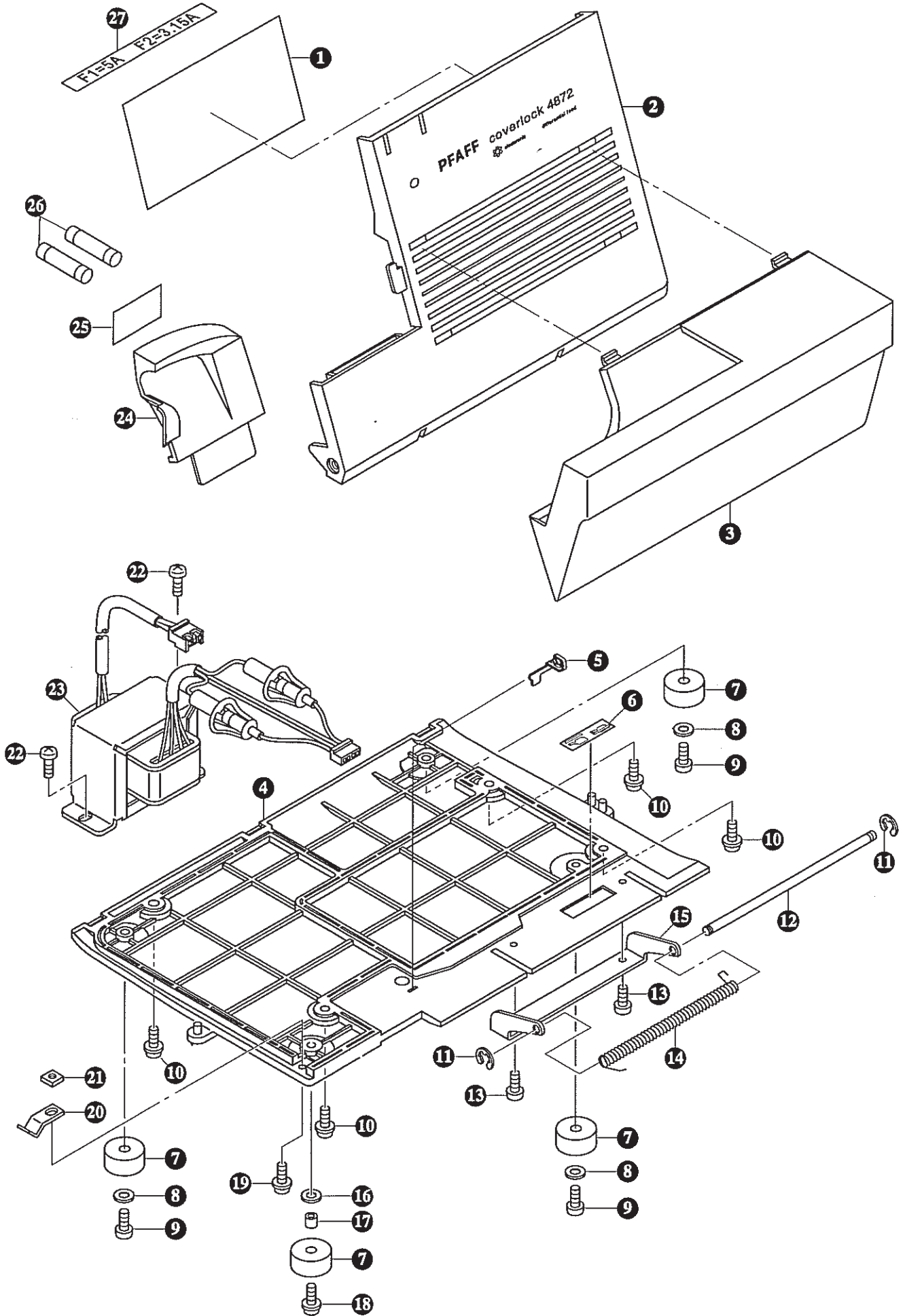
Pos	Part number	Description
1	2992499381218	CARRY HANDLE SHAFT
2	2992499381011	SNAP RING
3	2992499381442	FRICITION WASHER
4	2992499381126	CORRY HANDLE
5	2992499381407	SCREW M 4 X 10
6	2992499381153	HANDLE SUPPORT
7	2992499381220	REAR THREAD GUIDE
8	2992499381425	SCREW M 4 x 18
9	N/S	N/S
10	2992499381324	SIDE COVER 4872
11	2992499381405	SCREW M 4 x 8
12	2992499381279	SCREW HOL CAP
13	N/S	SPRING PLATE
14	2992499381490	TAPPING SCREW M 3 x 8,5
15	2992499381749	FACE COVER CAUTION LABEL
16	2992499381221	SWIVEL PLATE
17	2992499381117	SEAM WIDTH VIEWING WINDOW
18	2992499381014	E RING # 2,5
19	2992499381346	RUBBER CUSHION
20	2992499381301	SWIVEL PLATE HINGE PIN
21	2992499381162	SWIVEL PLATE HINGE NO.11162
22	2992499381102	BACK COVER
23	2992499381723	CLIP WASHER
24	2992499381119	LIGHT BULB GUARD
25	2992499381194	SEWING LIGHT COVER
26	2992499381305	SCREW M 4 X 6
27	N/S	THREAD CUTTER
28	N/S	THREAD CUTTER
29	2992499381306	SCREW HOLE CAP 9 DURCHM.
30	N/S	N/S
	N/S	N/S
31	2992499381745	SQAURE NUT
32	N/S	SCREW
33	2992499381239	SPOOL BASE SLIDE
34	2992499381403	SCREW M 4 X 10
35	2992499381241	STAND SUPPORT
36	2992499381242	SPRING
37	N/A	SPOOL STAND BASE 4862/72
38	2992499381240	GARNSTIFT
39	2992499381416	SPOOL HOLDER
40	2992499381519	THREAD GUIDE POLE
41	2992499381249	SPOOL PIN
42	2992499381244	THREAD GUIDE CLIP BLUE
43	2992499381247	COLOR MARK GREEN
44	2992499381291	POLE / BEAM JOINT
45	2992499381246	COLOR MARK YELLOW
46	2992499381248	COLOR MARK
47	2992499381177	GUIDE
48	2992499381245	COLOR MARK RED
49	2992499381022	D.F.AXLE
50	2992499381005	SCREW TPM 4 x 8
51	2992499381443	SCREW 4 x 12
52	2992499381411	WASHER 5 x 0,5
53	2992499381287	THREAD SPOOL STAND SUPPORT ASS
54	416484401	SPOOLSTAND ASSEMBELY

2A 4862



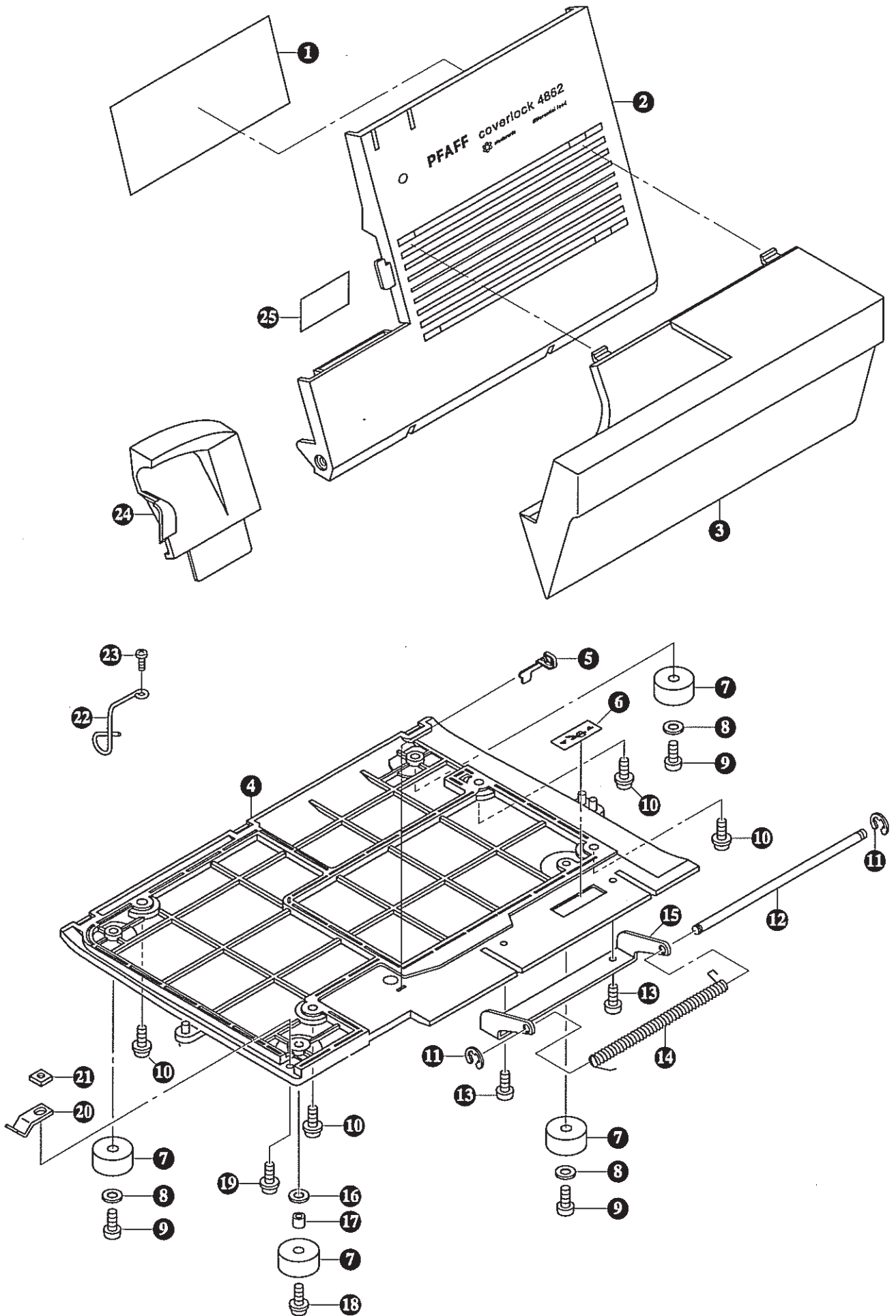
Pos	Part number	Description
1	2992499381218	CARRY HANDLE SHAFT
2	2992499381011	SNAP RING
3	2992499381442	FRICITION WASHER
4	2992499381126	CORRY HANDLE
5	2992499381407	SCREW M 4 X 10
6	2992499381153	HANDLE SUPPORT
7	2992499381220	REAR THREAD GUIDE
8	2992499381425	SCREW M 4 x 18
9	N/S	N/S
10	2992499381329	SIDE COVER 4862
11	2992499381405	SCREW M 4 x 8
12	2992499381279	SCREW HOL CAP
13	N/S	SPRING PLATE
14	2992499381490	TAPPING SCREW M 3 x 8,5
15	2992499381749	FACE COVER CAUTION LABEL
16	2992499381221	SWIVEL PLATE
17	2992499381117	SEAM WIDTH VIEWING WINDOW
18	2992499381014	E RING # 2,5
19	2992499381346	RUBBER CUSHION
20	2992499381301	SWIVEL PLATE HINGE PIN
21	2992499381162	SWIVEL PLATE HINGE NO.11162
22	2992499381102	BACK COVER
23	N/S	N/S
24	2992499381723	CLIP WASHER
25	2992499381119	LIGHT BULB GUARD
26	2992499381194	SEWING LIGHT COVER
27	2992499381305	SCREW M 4 X 6
28	N/S	THREAD CUTTER
29	N/S	THREAD CUTTER
30	2992499381306	SCREW HOLE CAP 9 DURCHM.
	N/S	N/S
31	N/S	N/S
32	2992499381745	SQAURE NUT
33	N/S	SCREW
34	2992499381239	SPOOL BASE SLIDE
35	2992499381403	SCREW M 4 X 10
36	2992499381241	STAND SUPPORT
37	2992499381242	SPRING
38	N/A	SPOOL STAND BASE 4862/72
39	2992499381240	GARNSTIFT
40	2992499381416	SPOOL HOLDER
41	2992499381519	THREAD GUIDE POLE
42	2992499381243	STAND SLIDE PLATE NUT 4862/72
43	2992499381244	THREAD GUIDE CLIP BLUE
44	2992499381247	COLOR MARK GREEN
45	2992499381291	POLE / BEAM JOINT
46	2992499381245	COLOR MARK RED
47	2992499381246	COLOR MARK YELLOW
48	2992499381214	THREAD GUIDE BEAM 11214
49	2992499381022	D.F.AXLE
50	2992499381005	SCREW TPM 4 x 8
51	2992499381443	SCREW 4 x 12
52	2992499381411	WASHER 5 x 0,5
53	2992499381287	THREAD SPOOL STAND SUPPORT ASS
54	416484401	SPOOLSTAND ASSEMBLY

3 4872

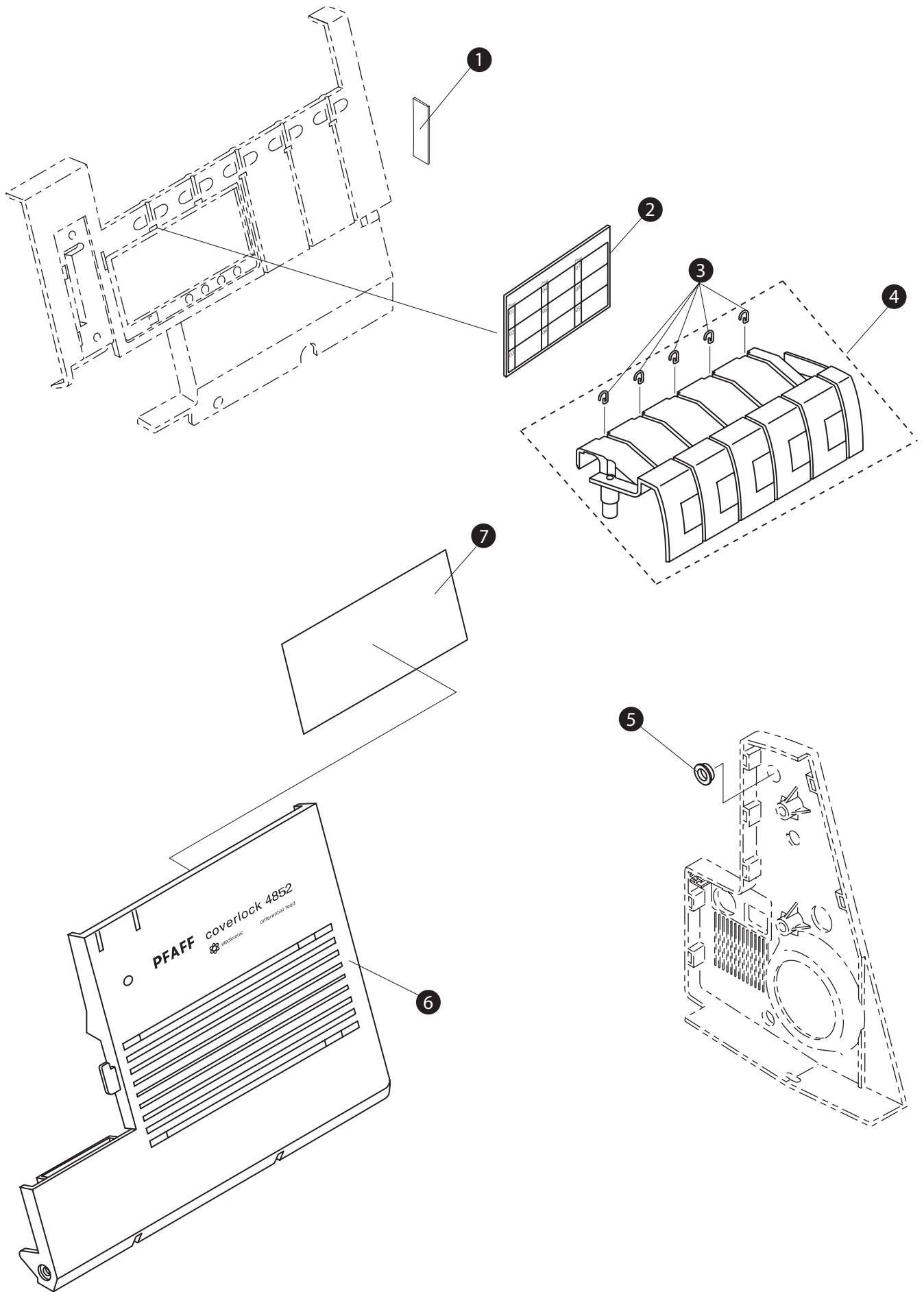


Pos	Part number	Description
1	N/S	THREADING CHART 4872
2	2992499381258	LOOPER COVER NO. 11258
3	2992499381111	TRIMMING WASTE BOX
4	2992499381304	BASE COVER
5	2992499381786	CS THREAD GUIDE
6	2992499381489	RELEASE LEVER MARK
7	2992499381748	RUBBER FOOT
8	2992499381025	WASHER 4 x 10 x 0,8
9	2992499381444	TAPPING SCREW
10	2992499381443	SCREW 4 x 12
11	2992499381010	SNAP RING
12	2992499381509	FRONTFLAP HINGE AXLE
13	2992499381507	TAPPING SCREW
14	2992499381415	FRONT FLAP SPRING
15	2992499381163	LOOPER COVER HINGE
16	N/S	WASHER
17	N/S	SPACER
18	2992499381403	SCREW M 4 X 10
19	2992499381712	SCREW M 3 x 10
20	2992499381307	SPRING STOPER PLATE 11307
21	2992499381437	SPRING STOPPER PLATE 3311
22	2992499381503	TAPPING SCREW
23	N/S	N/S
	N/S	TRANSFORMER SET,120V
24	2992499381110	BLODE GUARD
25	2992499381784	SAFTY NOTICE STICKER
26	N/S	FUSE,120V
	N/S	N/S
	N/S	N/S
	N/S	N/S
27	N/S	F1,F2 MARK

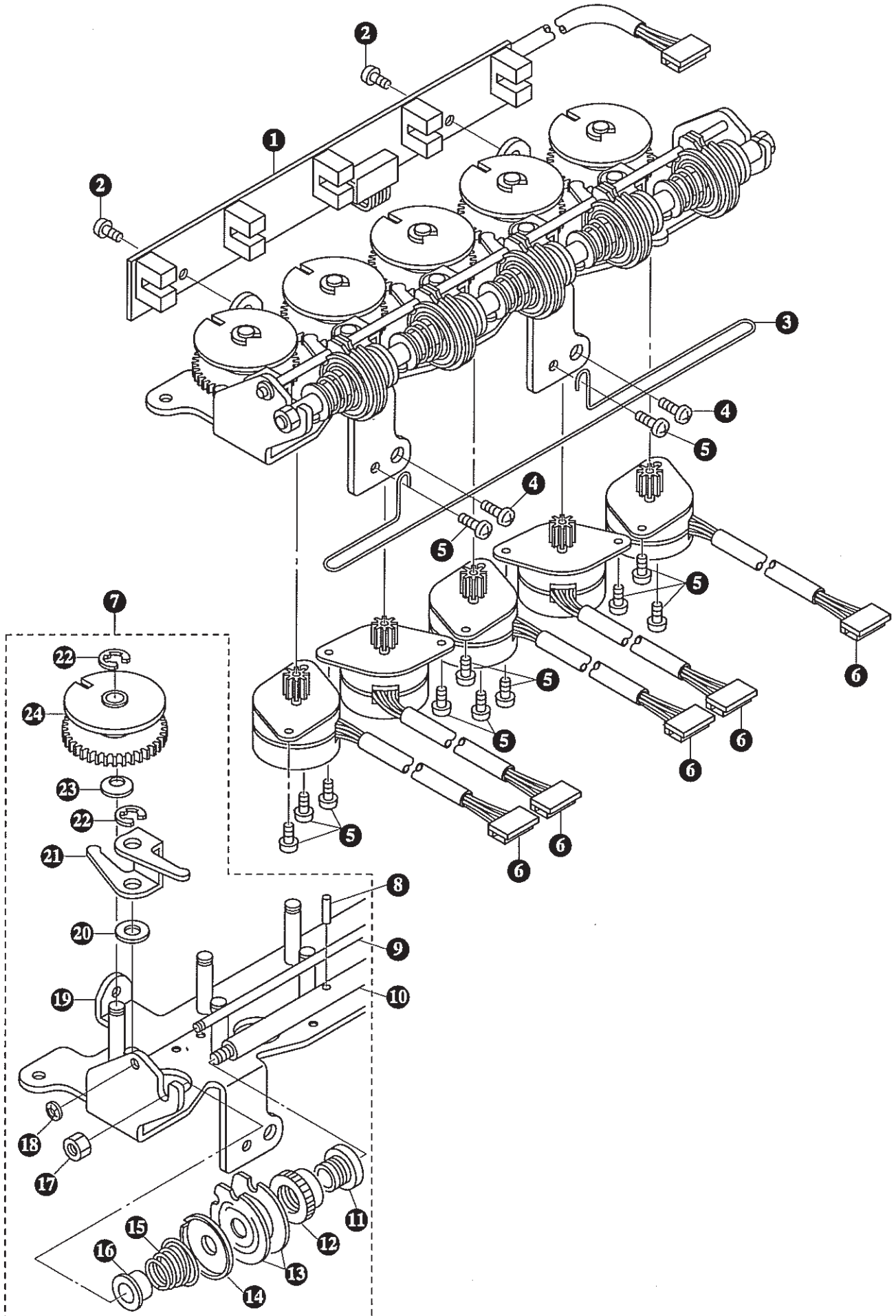
3A 4862



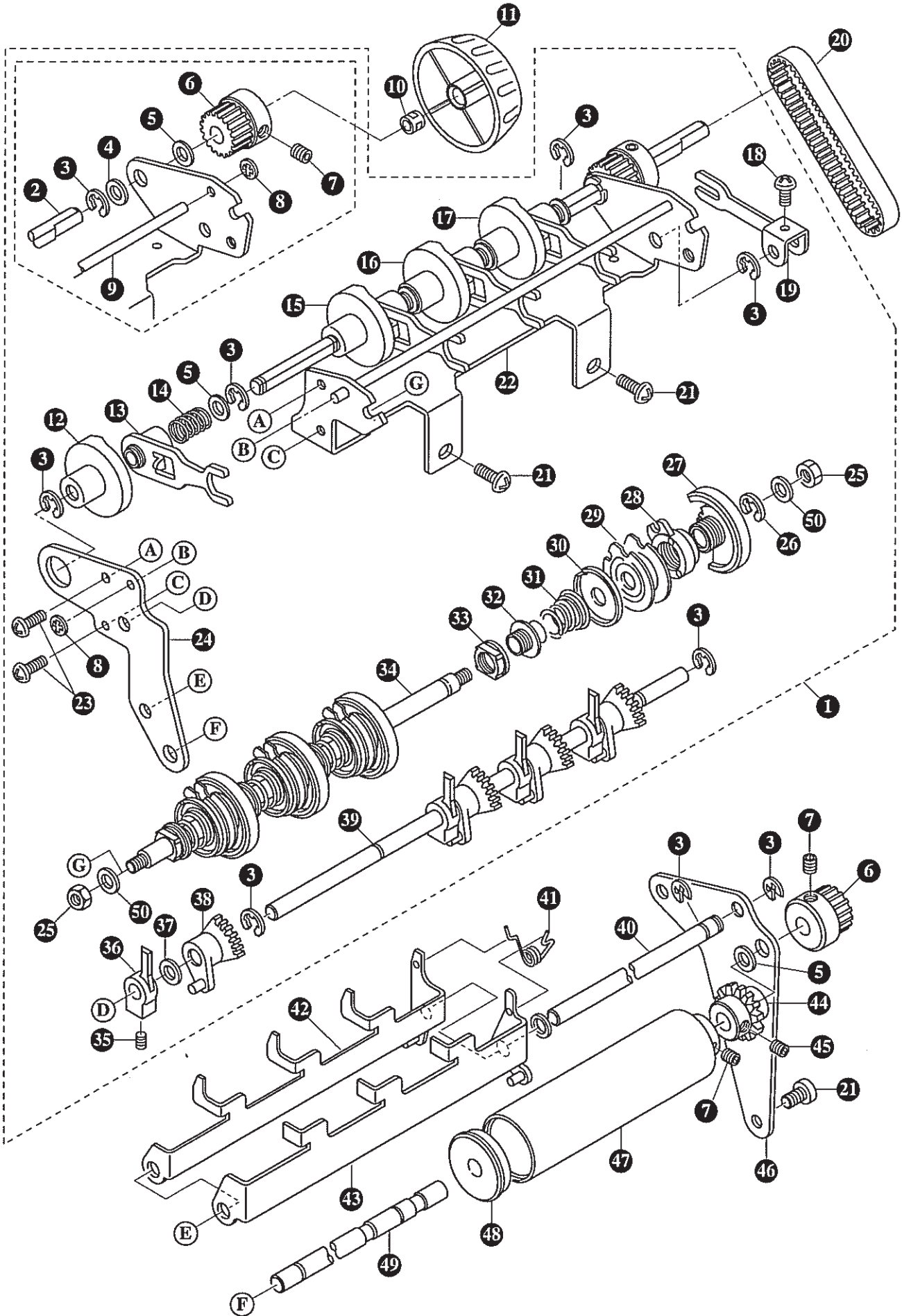
Pos	Part number	Description
1	2992499381198	THREADING CHART 4862
2	2992499381204	LOOPER COVER 4862
3	2992499381111	TRIMMING WASTE BOX
4	2992499381304	BASE COVER
5	2992499381786	CS THREAD GUIDE
6	N/S	RELEASE LEVER MARK
7	2992499381748	RUBBER FOOT
8	2992499381025	WASHER 4 x 10 x 0,8
9	2992499381444	TAPPING SCREW
10	2992499381443	SCREW 4 x 12
11	2992499381010	SNAP RING
12	2992499381509	FRONTFLAP HINGE AXLE
13	2992499381507	TAPPING SCREW
14	2992499381415	FRONT FLAP SPRING
15	2992499381163	LOOPER COVER HINGE
16	N/S	WASHER
17	N/S	SPACER
18	2992499381403	SCREW M 4 X 10
19	2992499381712	SCREW M 3 x 10
20	2992499381307	SPRING STOPER PLATE 11307
21	2992499381437	SPRING STOPPER PLATE 3311
22	N/S	CORD HOLDER
23	2992499381503	TAPPING SCREW
24	2992499381110	BLODE GUARD
25	2992499381784	SAFTY NOTICE STICKER



Pos	Part number	Description
1	N/S	N/S
2	2992499381808	PROGRAM DISPLAY 4842/4852
3	2992499381220	REAR THREAD GUIDE
4	2992499381371	DIAL TENSION COVER WITH SPRING
5	N/S	N/S
6	2992499381831	LOOPER COVER 4852
7	2992499381826	THREADING CHART 4852

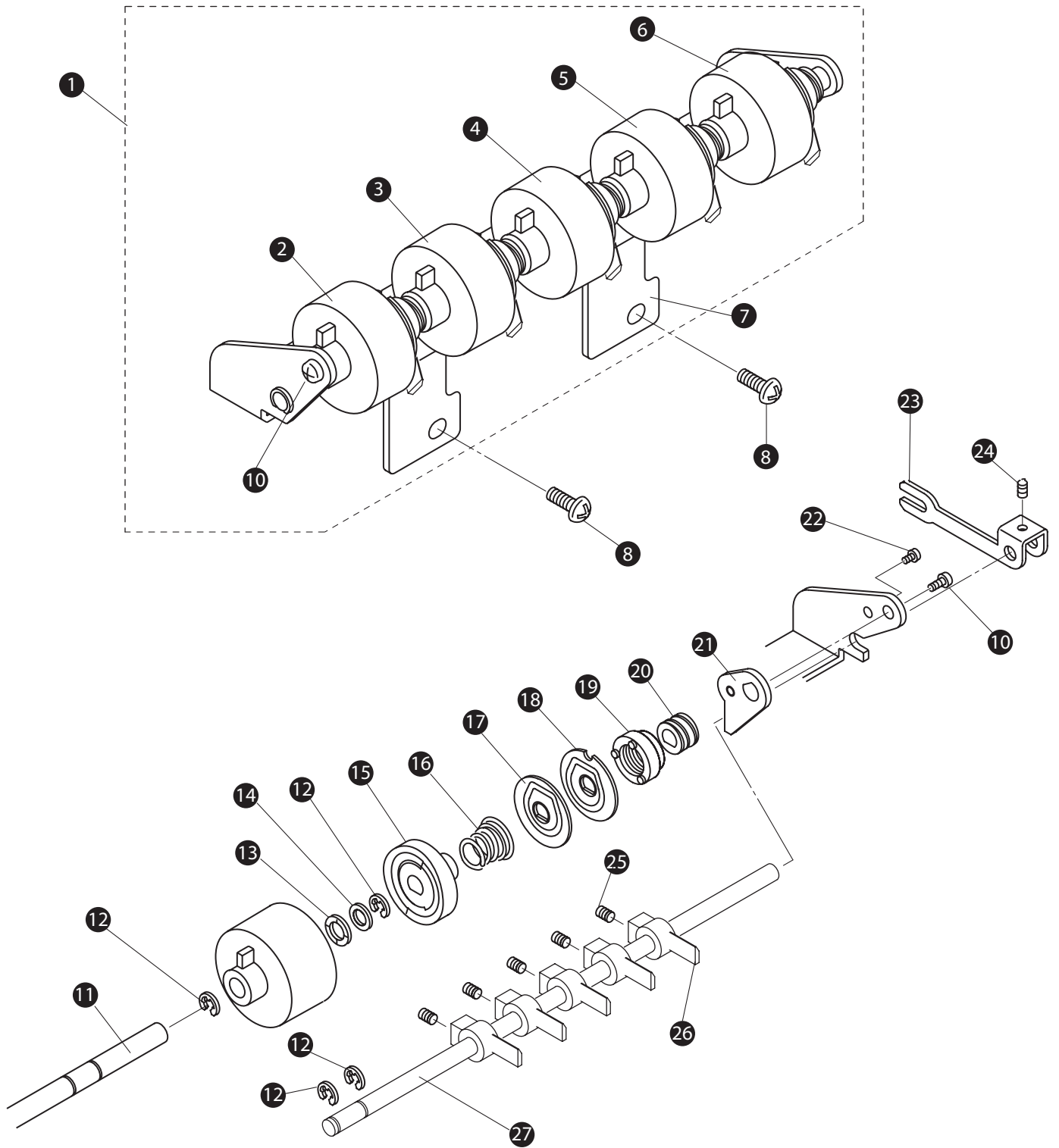


Pos	Part number	Description
1	2992499381178	PCB FOR DIAL TENSION NO.11178
2	2992499381006	SCREW
3	2992499381228	CORDS SUPPORT
4	2992499381493	TAPPING SCREW M 4 x 10
5	2992499381496	SCREW
6	2992499381614	STEP MOTOR
7	2992499381179	DIAL TENSION UNIT COMP.4872/74
8	2992499381017	FASTENING PIN
9	2992499381212	DT SUPPORT AXLE
10	2992499381211	TENSION SHAFT
11	2992499381608	TENSION SCREW
12	2992499381609	D.T. NUT
13	2992499381610	DIAL TENSION DISC
14	2992499381611	TENSION SPRING PLATE
15	2992499381731	TENSION SPRING
16	2992499381612	TENSION SPRING SLIDER
17	2992499381404	NUT M 4
18	2992499381439	CS NUT
19	2992499381181	TENSION UNIT SUPPORT 4872/74
20	2992499381009	WASHER STW -FT 6 x 1
21	2992499381260	TENSION CAM LEVER 4872/74
22	2992499381011	SNAP RING
23	2992499381506	CURVED WASHER 5 x 1,2 x 0,1
24	2992499381607	DIAL TENSION CAM

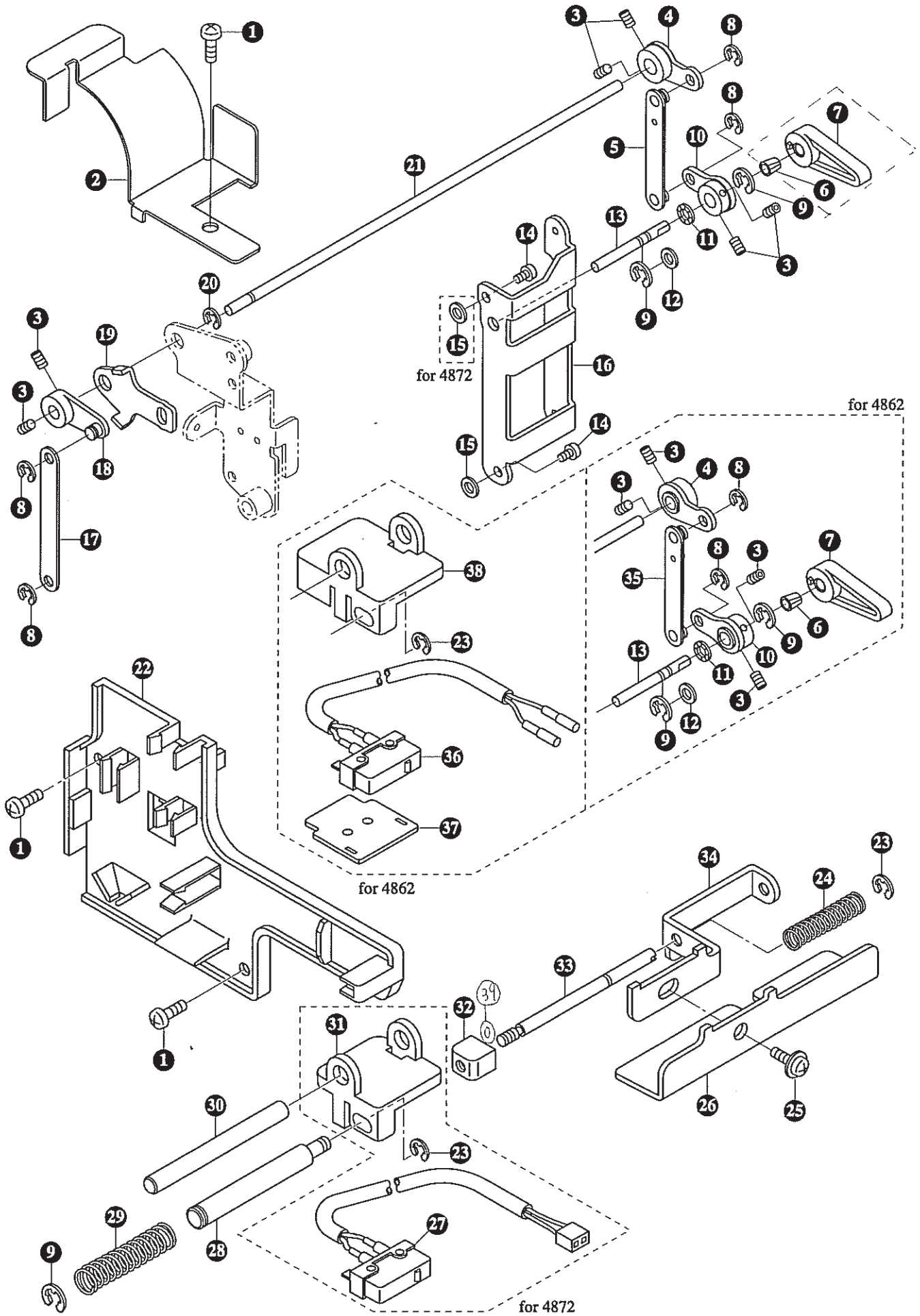


Pos	Part number	Description
1	# N/A	DIAL TENSION UNIT COMP. 4862
2	N/S	N/S
3	2992499381011	SNAP RING
4	2992499381009	WASHER STW -FT 6 x 1
5	N/S	N/S
6	N/S	N/S
7	2992499381003	GRUB SREW M 4 X 5
8	2992499381439	CS NUT
9	N/S	N/S
10	2992499381429	KNOB SPRING
11	2992499381125	PROGRAM SELEKTOR KNOB
12	N/S	N/S
13	N/S	N/S
14	N/S	N/S
15	N/S	N/S
16	N/S	N/S
17	N/S	N/S
18	2992499381405	SCREW M 4 x 8
19	N/S	N/S
20	2992499381773	BELT PX 192 P3 M6
21	2992499381493	TAPPING SCREW M 4 x 10
22	N/S	N/S
23	N/S	N/S
24	N/S	N/S
25	2992499381404	NUT M 4
26	2992499381012	SNAP RING
27	2992499381229	TENSION KNOB
28	N/S	N/S
29	2992499381610	DIAL TENSION DISC
30	2992499381611	TENSION SPRING PLATE
31	2992499381731	TENSION SPRING
32	N/S	N/S
33	N/S	N/S
34	N/S	N/S
35	N/S	N/S
36	2992499381801	TENSION RELEASE CRANK
37	2992499381411	WASHER 5 x 0,5
38	N/S	N/S
39	N/S	N/S
40	N/S	N/S
41	2992499381766	DT RELEASE SPRING
42	N/S	N/S
43	N/S	N/S
44	N/S	N/S
45	2992499381410	SCREW M 4 X 4
46	N/S	N/S
47	2992499381252	PROGRAMM DISPLAY ROLLER
48	N/S	N/S
49	N/S	N/S
50	N/S	N/S

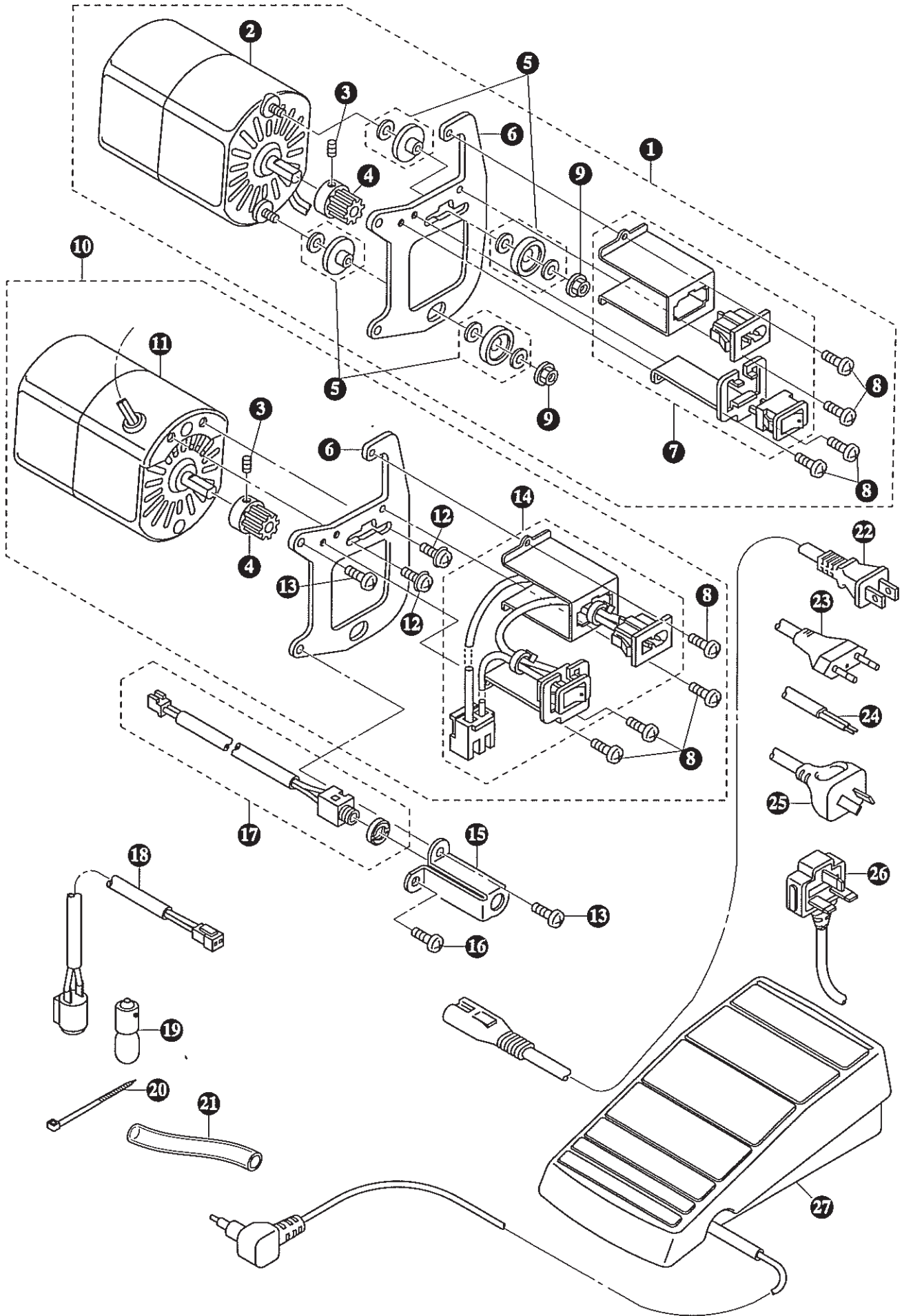
4B 4852



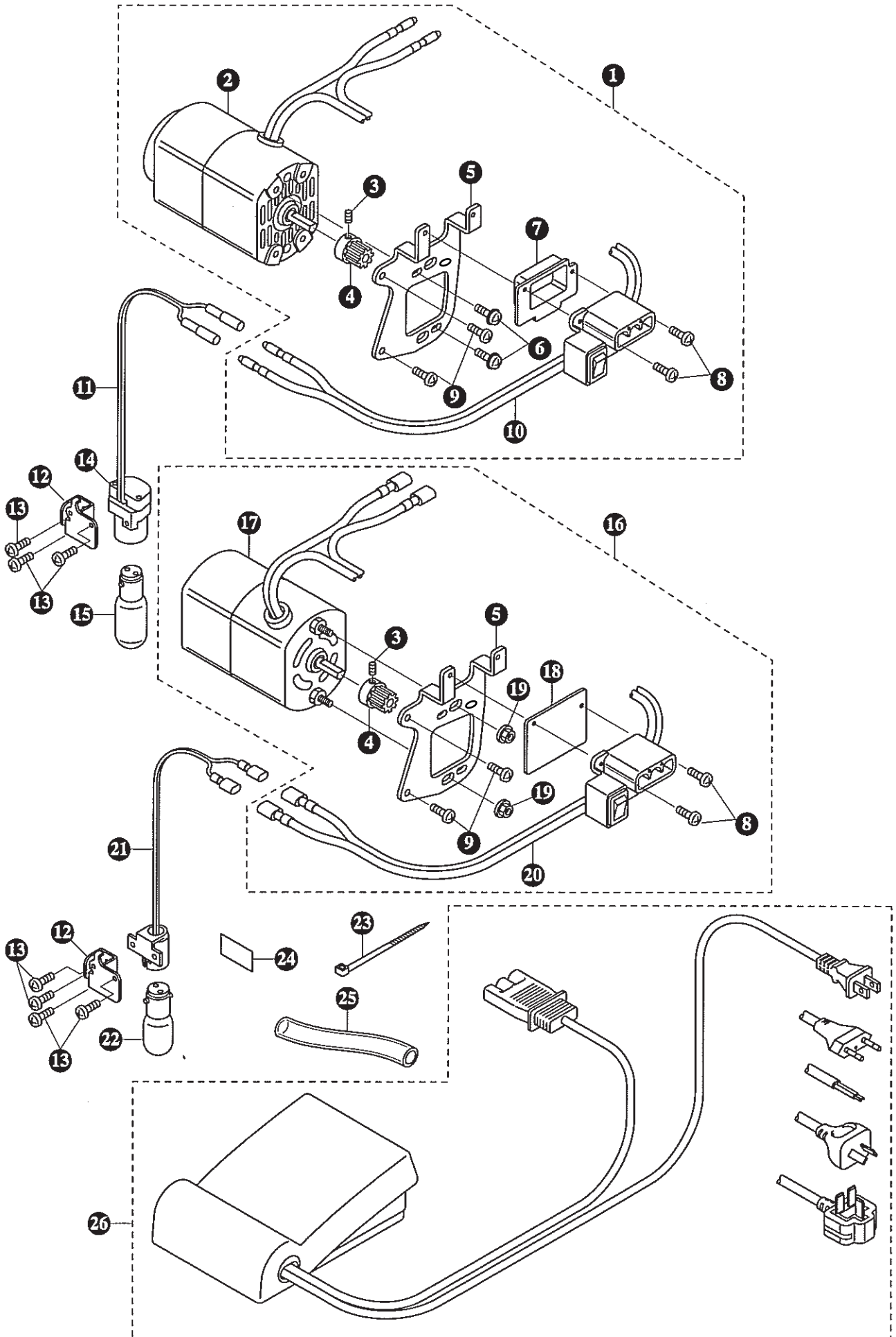
Pos	Part number	Description
1	2992499381811	DIAL TENSION SET COMPLETE UNIT
2	N/S	TENSION KNOB BLUE
3	N/S	N/S
4	N/S	N/S
5	N/S	N/S
6	N/S	TENSION KNOB, VIOLET
7	N/S	N/S
8	2992499381493	TAPPING SCREW M 4 x 10
9	N/S	N/S
10	2992499381406	SCREW M 4 x 6
11	N/S	N/S
12	2992499381011	SNAP RING
13	2992499381401	WASHER 6 x 14 x 0,15
14	2992499381901	WASHER 6 x 10,5 x 0,5
15	2992499381558	D.T. CAM
16	N/S	N/S
17	N/S	NEEDLE PLATE FOR PERL FOOT
18	N/S	N/S
19	2992499381609	D.T. NUT
20	2992499381560	D.T. SCREW
21	N/S	N/S
22	2992499381006	SCREW
23	N/S	N/S
24	N/S	N/S
25	2992499381752	SCREW
26	2992499381801	TENSION RELEASE CRANK
27	N/S	N/S



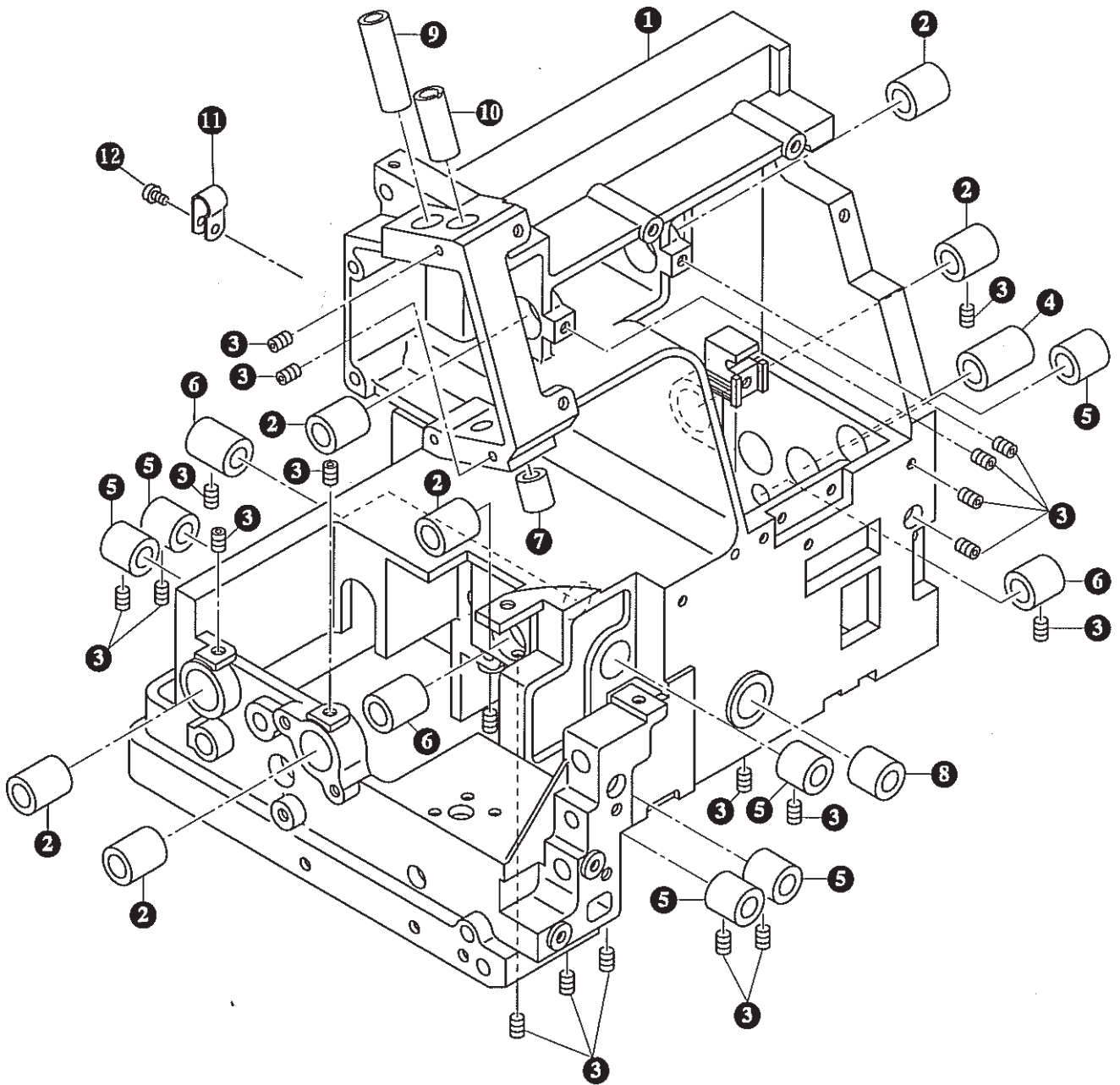
Pos	Part number	Description
1	2992499381406	SCREW M 4 x 6
2	2992499381230	AC COVER 4874
3	2992499381410	SCREW M 4 X 4
4	2992499381146	PRESSER FOOT LEVER RIGHT UPPER
5	2992499381215	PR.FOOT LIFTER CONN.AXLE RIGHT
6	2992499381429	KNOB SPRING
7	2992499381122	PRESSER FOOT LIFTER
8	2992499381011	SNAP RING
9	2992499381012	SNAP RING
10	2992499381148	PRESSER FOOT LEVER RIGHT LOWER
11	2992499381401	WASHER 6 x 14 x 0,15
12	2992499381009	WASHER STW -FT 6 x 1
13	2992499381161	PRESSER FOOT LEVER AXLE 11161
14	2992499381493	TAPPING SCREW M 4 x 10
15	2992499381281	WASHER 12 X 4 X 2
16	2992499381169	PRESSER FOOT LIFTER SUPPORT
17	2992499381170	LIFTER CONN AXLE LEFT
18	2992499381142	PRESSER FOOT LEVER (LEFT UPPER
19	2992499381300	PRESSER BAR LIFTING GUARD
20	2992499381013	SNAP RING 6
21	2992499381160	PRESSER FOOT AXLE
22	2992499381671	ACCESSORY STAND
23	2992499381010	SNAP RING
24	2992499381680	STITCH TONGUE SPRING 10209
25	2992499381005	SCREW TPM 4 x 8
26	2992499381303	SWIVEL PLATE SUPPORT
27	2992499381670	MICRO SWITCH FOR FRONT FLAP
28	2992499381692	PUSH PIN 4874
29	2992499381677	SIDE DOOR SWITCH SPRING
30	2992499381691	SLIDE SHAFT 4874
31	2992499381689	MICRO SWITCH SUPPORT
32	2992499381690	MICRO SWITCH CONN ROD
33	2992499381693	PUSH PIN B
34	2992499381779	ROD BRACKET
35	N/S	N/S
36	2992499381768	MICRO SWITCH 120 V 4862
	2992499381787	MICRO SWITCH FOR FRONT FLAP
37	2992499381776	MICRO SWITCH BASE COER 4862
38	2992499381767	MICRO SWITCH SUPPORT BASE 4862
39	2992499381526	WASHER 3 x 6 x 0,2



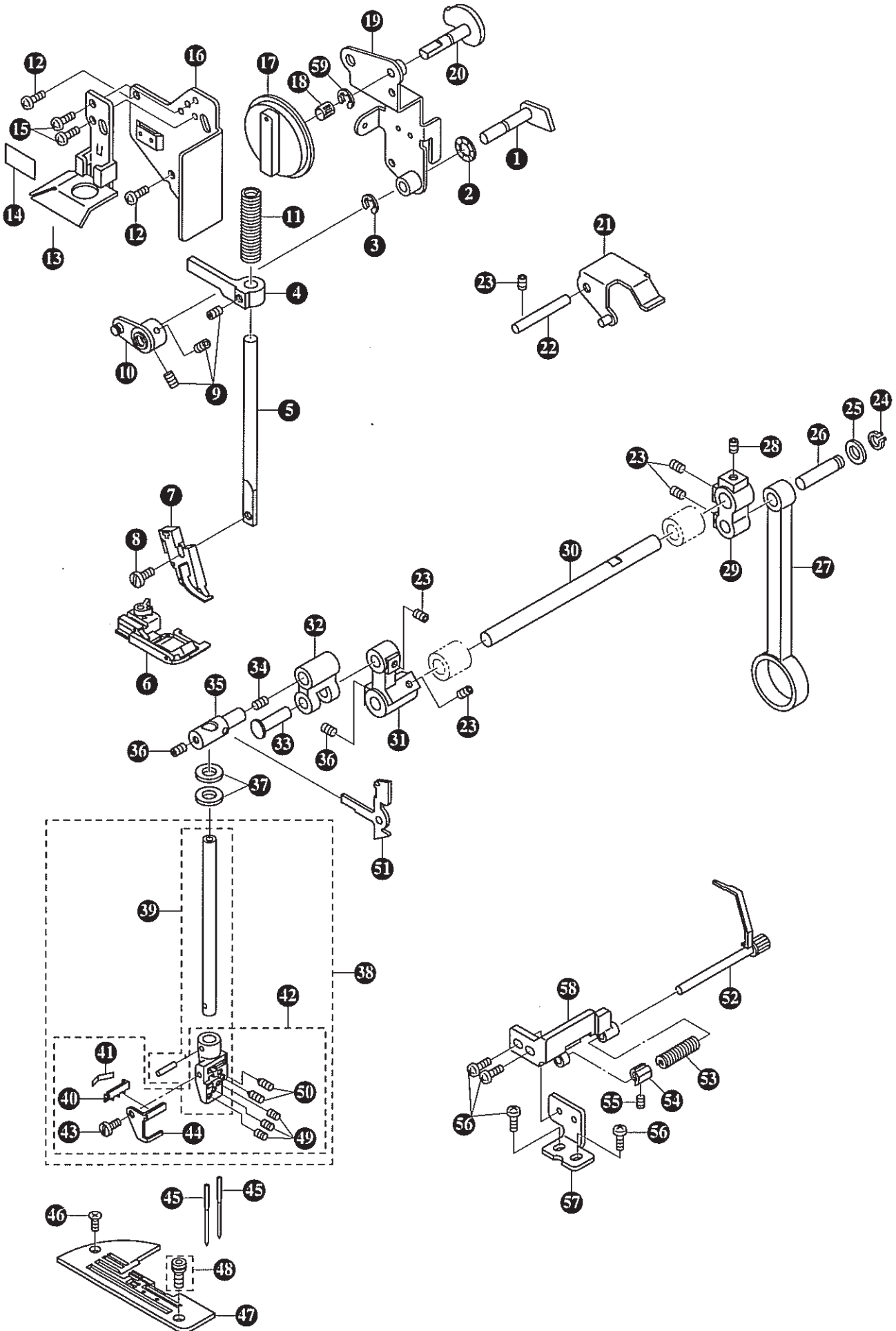
Pos	Part number	Description
1	2992499381325	MOTOR SET 120 V 4872/74
2	2992499381326	MOTOR 120 V 4872/4874
3	2992499381003	GRUB SREW M 4 X 5
4	2992499381780	MOTOR PULLEY
5	2992499381521	MOTOR INSULATING RING SET
6	2992499381710	MOTOR BRACKET
7	2992499381356	MOTOR TYPE 2 4872/74 120V
8	2992499381006	SCREW
9	2992499381516	MOTOR SET NUT M 4
10	2992499381327	MOTOR SET 230 V 4872/74
11	2992499381328	MOTOR 230 V
12	N/S	N/S
13	2992499381493	TAPPING SCREW M 4 x 10
14	2992499381357	MOTOR TYPE 2 4872/74 230V
15	2992499381155	JACK BRACKET
16	2992499381503	TAPPING SCREW
17	2992499381351	JACK SET 4872
18	2992499381361	LAMP SOCKET
19	2992499381362	LICHT BULB 12 V
20	2992499381433	FASTENING BAND
21	N/S	N/S
22	N/S	N/S
23	2992499381486	POWER SUPPLY CORD SET EUROPE
24	2992499381487	POWER SUPPLY CORD SET(NO PLUG)
25	2992499381485	POWER SUPPLY SET AUS/NZ
26	2992499381525	POWER SUPPLY CORD SET (GB)
27	2992499381718	FOOT CONTROL FOR 4872



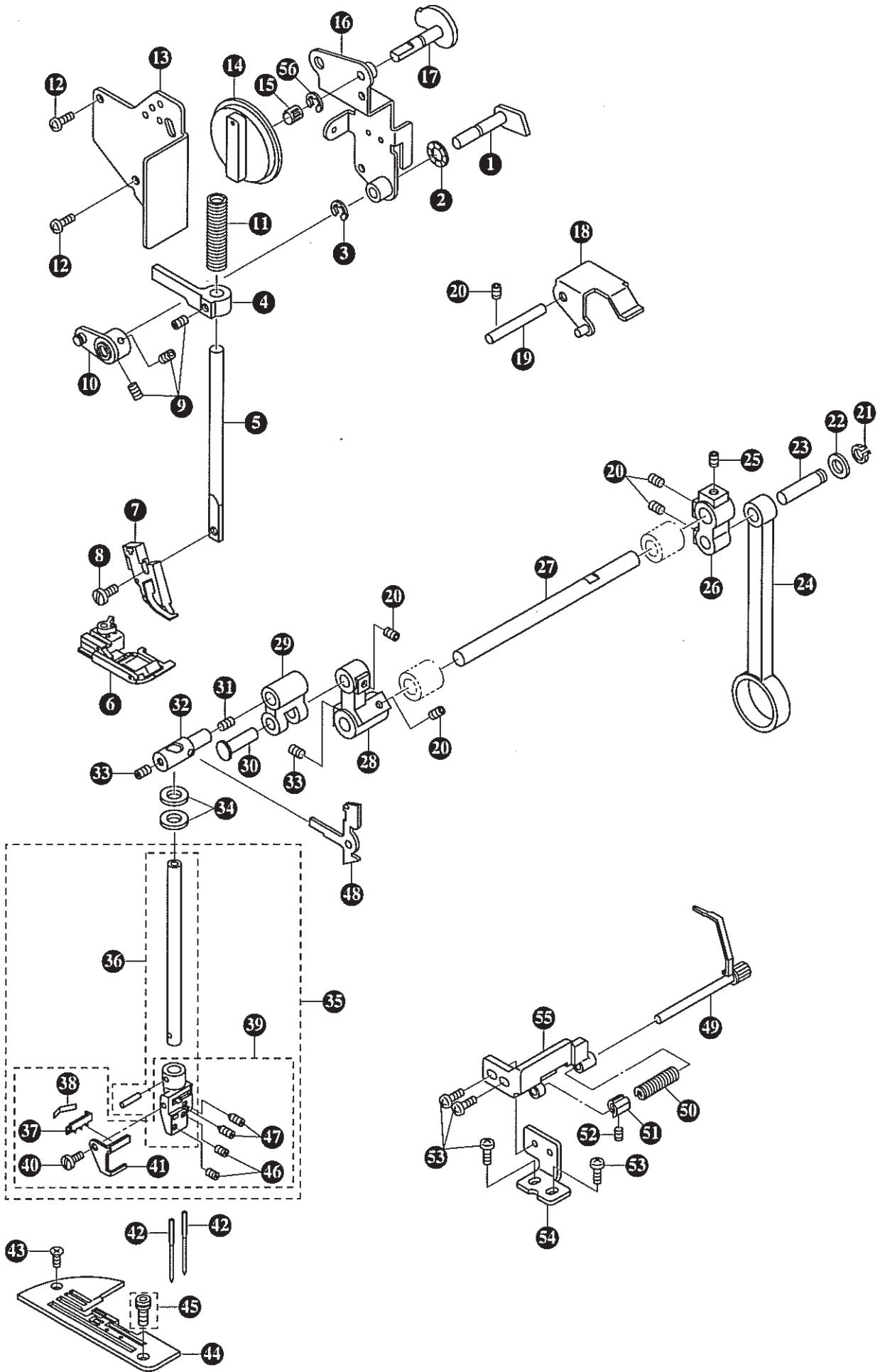
Pos	Part number	Description
1	N/S	N/S
2	2992499381772	MOTOR 230 V, new version (YDK) , need POS 5 below.
3	2992499381003	GRUB SREW M 4 X 5
4	2992499381780	MOTOR PULLEY
5	2992499381206	MOTOR BRACKET (FOR YDK & MATSUSHITA)
6	2992499381403	SCREW M 4 X 10
7	N/S	N/S
8	N/S	N/S
9	2992499381493	TAPPING SCREW M 4 x 10
10	2992499381777	WIRED TE/SW SET
11	2992499381236	LAMP CORD SET
12	N/S	N/S
13	2992499381496	SCREW
14	N/S	N/S
15	2992499381257	BULB
16	N/S	N/S
17	N/S	N/S
18	N/S	N/S
19	2992499381516	MOTOR SET NUT M 4
20	N/S	N/S
21	2992499381235	LAMP CORD SET 120 VOLT
22	N/S	N/S
23	2992499381433	FASTENING BAND
24	N/S	N/S
25	N/S	N/S
26	N/S	N/S
	2992499381330	FOOT CONTROL 4862 USA/Canada
	2992499381331	FOOT CONTROL 4862 EUROPE
	N/S	FOOT CONTROL 4862 Aus
	N/S	FOOT CONTROL 4862 UK South Africa



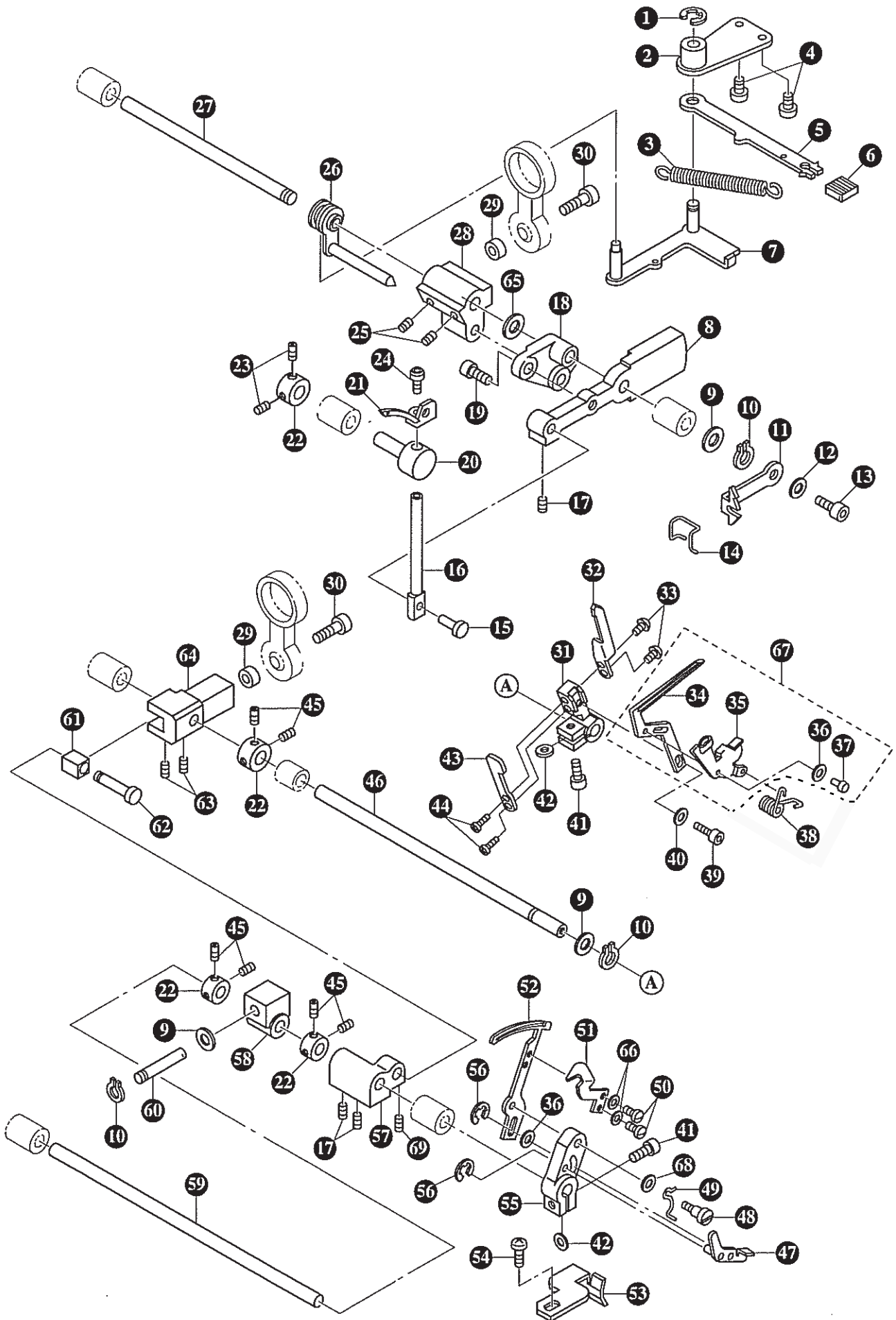
Pos	Part number	Description
2	2992499381456	BEARING
3	2992499381003	GRUB SREW M 4 X 5
4	2992499381684	BEARING
5	2992499381463	LOOPER AXLE BEARING
6	2992499381686	BEARING
7	2992499381422	LOWER NEEDLE BAR BEARING 1914
8	2992499381685	BEARING
9	2992499381459	PRESSER BAR BEARING
10	2992499381421	UPPER NEEDLE BAR BEARING 1913
11	N/S	N/S
12	2992499381405	SCREW M 4 x 8



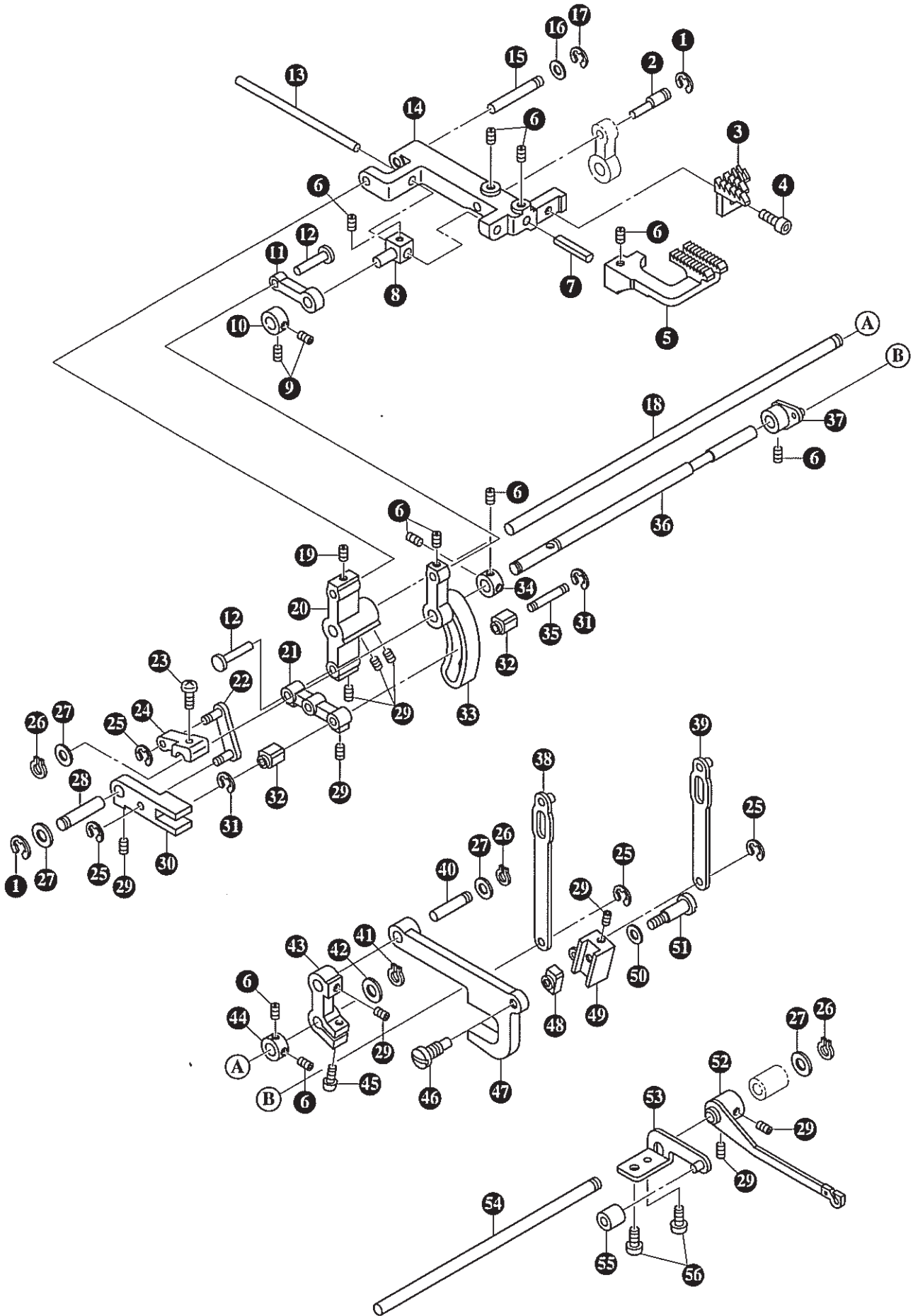
Pos	Part number	Description
1	2992499381461	PRESSER BAR LIFT CRANK
2	2992499381401	WASHER 6 x 14 x 0,15
3	2992499381011	SNAP RING
4	2992499381460	PRESSER BAR GUIDE
5	2992499381458	PRESSER BAR 4842/4852
6	2992499381783	PRESSER FOOT
7	2992499381734	PRESSER FOOT SHANK
8	2992499381002	SCREW 7 X 8
9	2992499381410	SCREW M 4 X 4
10	2992499381195	PRESSER FOOT LIFTER CONN.
11	2992499381721	PRESSER BAR SPRING
12	2992499381407	SCREW M 4 X 10
13	2992499381363	LAMP HOLDER BRACKET
14	N/S	N/S
15	2992499381496	SCREW
16	2992499381602	REFLEX PARTITION PLATE
17	2992499381121	PRESSER FOOT PRESSURE ADJUSTIN
18	2992499381429	KNOB SPRING
19	2992499381136	DIFFERENTIAL FEED RATCHET
20	2992499381150	DARNER CAM
21	2992499381603	PRESSURE CONTROLL LEVER
22	2992499381604	AXILE
23	2992499381003	GRUB SREW M 4 X 5
24	2992499381016	CLIP RING 7
25	2992499381420	WASHER STW - FT 7 x 1
26	2992499381454	NEEDLE BAR LINK PIN
27	2992499381457	CRANK ROD
28	2992499381504	ALLEN SCREW M 5 x 8
29	2992499381679	NEEDLE BAR CRANK RIGHT 4874
30	2992499381455	UPPER AXLE
31	2992499381216	CRANK LEFT 4874
32	2992499381217	NEEDLE BAR LINK 4874
33	2992499381219	NEEDLE BAR LINK PIN
34	2992499381497	GRUB SCREW M 4 x 6
35	2992499381453	NEEDLE BAR STUD
36	2992499381004	GRUB SCREW
37	2992499381448	FELT WASHER 7 x 13 x 2
38	2992499381254	NEEDLE BAR CPL. 4872
39	N/S	N/S
40	2992499381733	NEEDLE THREAD SUPPORT GUIDE
41	2992499381782	THREAD GUIDE SPRING PLATE
42	2992499381233	NEEDLE HOLDER SET
43	2992499381434	SCREW
44	2992499381732	NEEDLE CLAMP THREAD GUIDE
45	N/S	N/S
46	2992499381446	NEEDLE PLATE POSITION SCREW
47	2992499381735	NEEDLE PLATE
48	2992499381524	NEEDLE PLATE SCREW
49	2992499381451	SCREW POINT M 3 X3
50	2992499381719	SCREW POINT
51	2992499381675	NEEDLE THREAD TAKE UP LEVER
52	2992499381662	INSTANT ROLLED
53	2992499381680	STITCH TONGUE SPRING 10209
54	2992499381665	SLEEVE 10162
55	2992499381409	GRUB SCREW M 3x3 1752
56	2992499381405	SCREW M 4 x 8
57	2992499381664	INST.ROLLED NARROW HEM BRACKET
58	2992499381663	INSTANT ROLLED NARROW HEM DEVI
59	2992499381012	SNAP RING



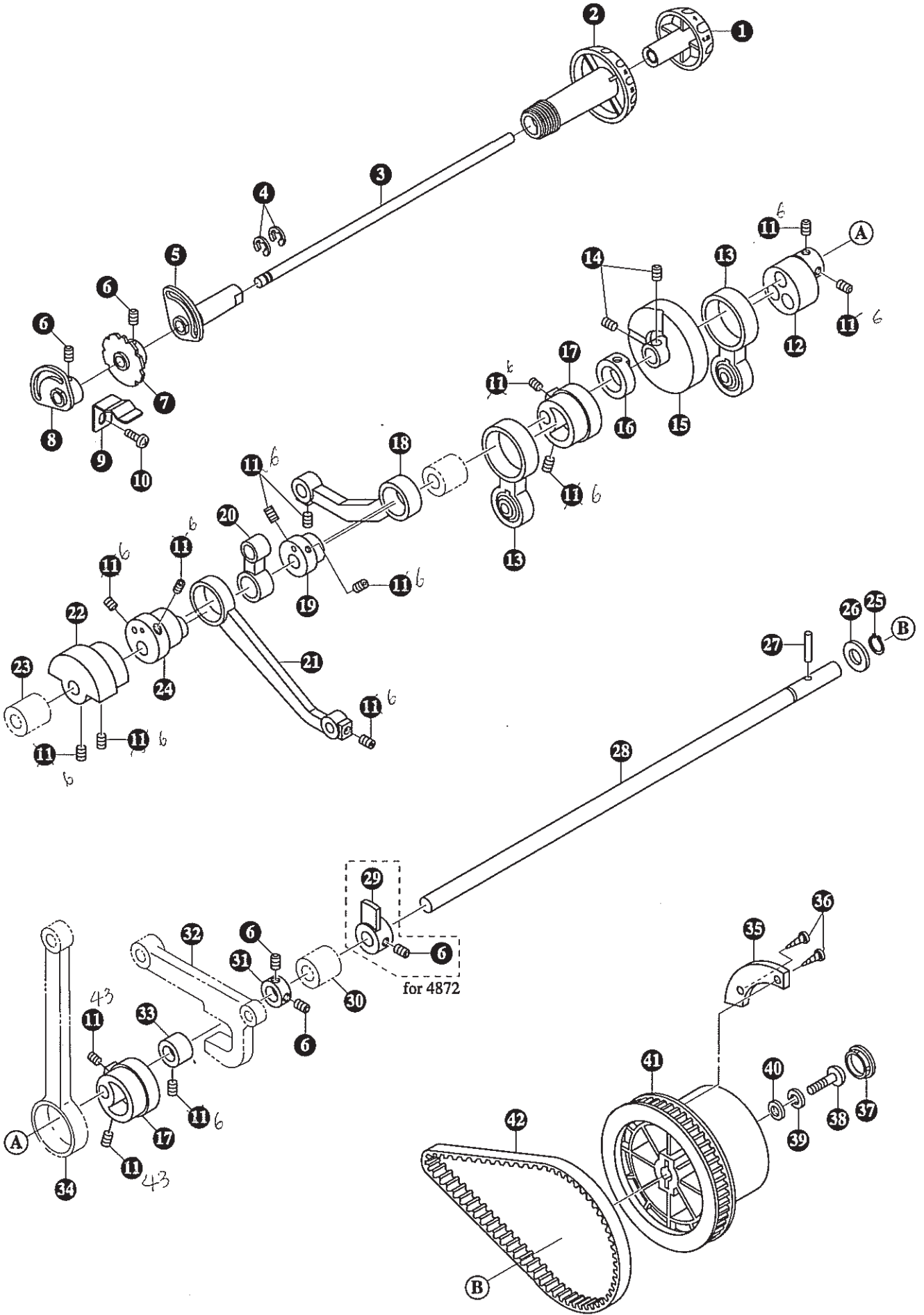
Pos	Part number	Description
1	2992499381461	PRESSER BAR LIFT CRANK
2	2992499381401	WASHER 6 x 14 x 0,15
3	2992499381011	SNAP RING
4	2992499381460	PRESSER BAR GUIDE
5	2992499381458	PRESSER BAR 4842/4852
6	2992499381783	PRESSER FOOT
7	2992499381734	PRESSER FOOT SHANK
8	2992499381002	SCREW 7 X 8
9	2992499381410	SCREW M 4 X 4
10	2992499381195	PRESSER FOOT LIFTER CONN.
11	2992499381721	PRESSER BAR SPRING
12	2992499381407	SCREW M 4 X 10
13	N/S	N/S
14	2992499381121	PRESSER FOOT PRESSURE ADJUSTIN
15	2992499381429	KNOB SPRING
16	2992499381136	DIFFERENTIAL FEED RATCHET
17	2992499381150	DARNER CAM
18	2992499381603	PRESSURE CONTROLL LEVER
19	2992499381604	AXILE
20	2992499381003	GRUB SREW M 4 X 5
21	2992499381016	CLIP RING 7
22	2992499381420	WASHER STW - FT 7 x 1
23	2992499381454	NEEDLE BAR LINK PIN
24	2992499381457	CRANK ROD
25	2992499381504	ALLEN SCREW M 5 x 8
26	2992499381679	NEEDLE BAR CRANK RIGHT 4874
27	2992499381455	UPPER AXLE
28	2992499381216	CRANK LEFT 4874
29	2992499381217	NEEDLE BAR LINK 4874
30	2992499381219	NEEDLE BAR LINK PIN
31	2992499381497	GRUB SCREW M 4 x 6
32	2992499381453	NEEDLE BAR STUD
33	2992499381004	GRUB SCREW
34	2992499381448	FELT WASHER 7 x 13 x 2
35	2992499381253	NEEDLE BAR CPL.
36	N/S	N/S
37	2992499381733	NEEDLE THREAD SUPPORT GUIDE
38	2992499381782	THREAD GUIDE SPRING PLATE
39	2992499381231	NEEDLE HOLDER SET
40	2992499381434	SCREW
41	2992499381732	NEEDLE CLAMP THREAD GUIDE
42	N/S	N/S
43	2992499381446	NEEDLE PLATE POSITION SCREW
44	2992499381735	NEEDLE PLATE
45	2992499381524	NEEDLE PLATE SCREW
46	2992499381451	SCREW POINT M 3 X3
47	2992499381719	SCREW POINT
48	2992499381675	NEEDLE THREAD TAKE UP LEVER
49	2992499381662	INSTANT ROLLED
50	2992499381680	STITCH TONGUE SPRING 10209
51	2992499381665	SLEEVE 10162
52	2992499381409	GRUB SCREW M 3x3 1752
53	2992499381405	SCREW M 4 x 8
54	2992499381664	INST.ROLLED NARROW HEM BRACKET
55	2992499381663	INSTANT ROLLED NARROW HEM DEVI
56	2992499381012	SNAP RING



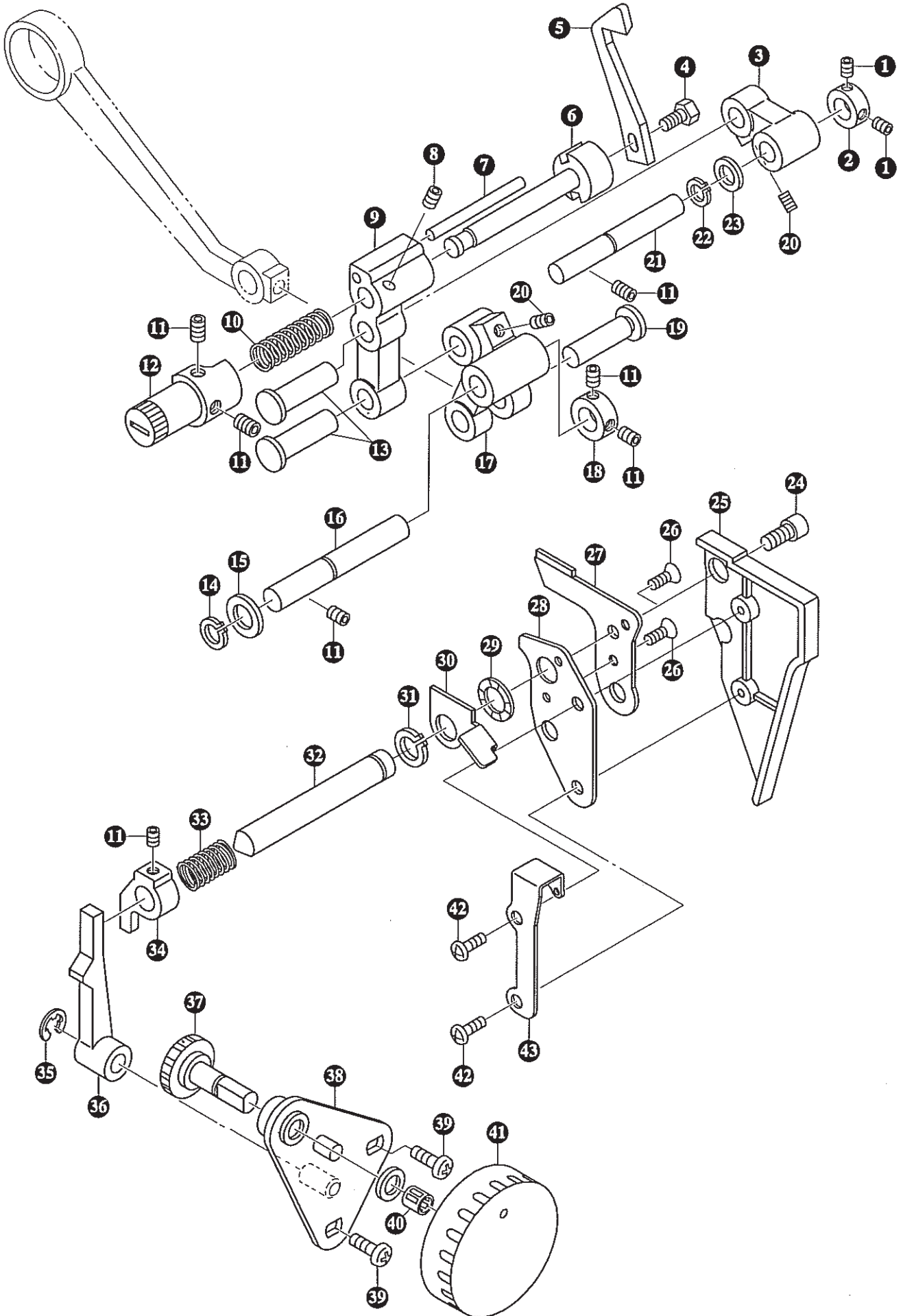
Pos	Part number	Description
1	2992499381011	SNAP RING
2	2992499381667	UPPER LOOPER RELEASE BRACKET
3	2992499381481	RELEASE LEVER SPRING
4	2992499381503	TAPPING SCREW
5	2992499381479	UPPER LOOPER RELEASE LEVER
6	2992499381480	LEVER KNOB
7	2992499381478	LOOPER RELAESE CRANK
8	2992499381714	UPPER LOOPER ARM
9	2992499381420	WASHER STW - FT 7 x 1
10	2992499381016	CLIP RING 7
11	2992499381613	UPPER LOOPER LAKE UP LEVER
12	2992499381413	CONICAL WASHER
13	2992499381430	SCREW
14	2992499381720	THREAD GUIDE SPRING 10462
15	2992499381424	UPPER LOOPER SHAFT PIN
16	2992499381483	UPPER LOOPER SHAFT
17	2992499381003	GRUB SREW M 4 X 5
18	2992499381484	UPPER LOOPER ARM 2
19	2992499381492	SCREW M 4 X 10
20	2992499381466	UPPER LOOPER SHAFT GUIDE
21	2992499381717	UPPER LOOPER
22	2992499381423	COLLAR E 7
23	2992499381447	GRUB SCREW
24	2992499381502	SCREW M 4 X 8
25	2992499381004	GRUB SCREW
26	2992499381482	AXEL ROCKER JOINT PIN
27	2992499381465	UPPER LOOPER AXLE
28	2992499381702	UPPER LOOPER OSCILATING CRANK
29	2992499381464	SPACER M 5 x 3
30	2992499381498	ALLEN SCREW M 5 x 18
31	2992499381627	LOWER LOOPER SUPPORT
32	2992499381468	OVERLOCKNEEDLE GUARD
33	2992499381508	SCREW M 3 X 6
34	2992499381467	LOWER LOOPER
35	2992499381703	AUX THREAD GUIDE
36	2992499381514	AUX THREAD GUIDE
37	2992499381513	AUX THREAD GUIDE
38	2992499381628	AUX THREAD GUIDE
39	2992499381797	SCREW
40	2992499381477	WASHER
41	2992499381435	MULTI PURPOSE FOOT
42	2992499381751	WASHER
43	2992499381750	LOWER LOOPES SUPPORT
44	2992499381427	SCREW M 3 X 5
45	2992499381410	SCREW M 4 X 4
46	2992499381626	LOWER LOOPER AXLE
47	2992499381694	CS KICK LEVER
48	2992499381700	THREAD GUIDE CLIP
49	2992499381698	SPRING
50	2992499381434	SCREW
51	2992499381618	CHAIN LOOPER GUARD
52	2992499381620	CHAIN LOOPER
53	2992499381699	CS FIXED PLATE
54	2992499381405	SCREW M 4 x 8
55	2992499381619	CHAIN LOOPER CRANK 10081
56	2992499381438	E-RING 2 NO.3436
57	2992499381741	CHAIN LOOPER ROCKER
58	2992499381621	CS SLIDER
59	2992499381622	CHAIN LOOPER AXLE
60	2992499381666	SLIDER PIN
61	2992499381742	CHAIN LOOPER ROCKER CUBE
62	2992499381743	SLIDER PIN
63	2992499381021	SCREW
64	2992499381740	LOWER LOOPER OSCILATING CRANK
65	2992499381023	DIAL TENSION SUPPORT
66	2992499381526	WASHER 3 x 6 x 0,2
67	2992499381800	CROCHET SX. CPL
68	2992499381701	WASHER
69	N/S	N/S



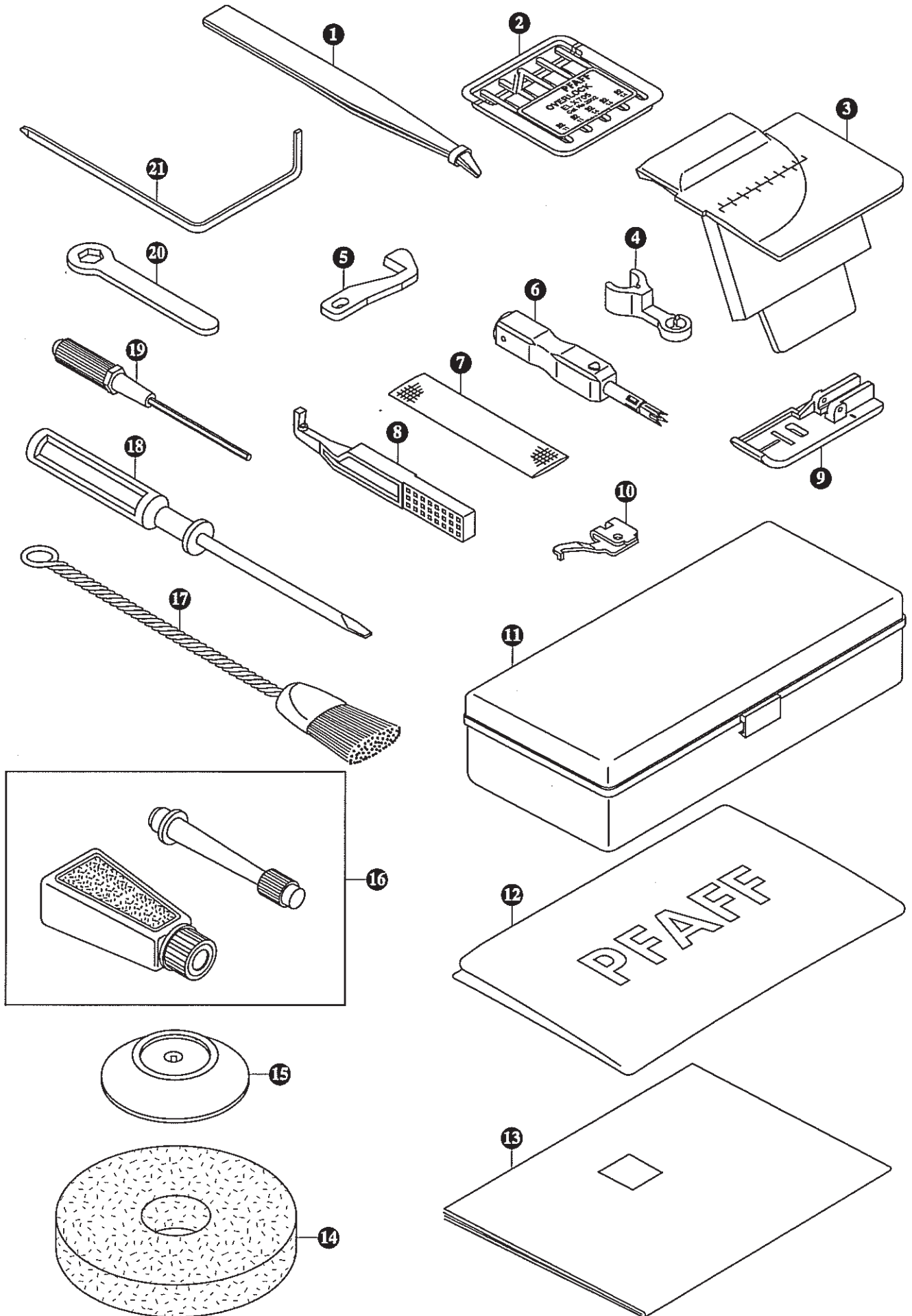
Pos	Part number	Description
1	2992499381013	SNAP RING 6
2	2992499381643	FEED DOG CONN.PIN
3	2992499381736	FEED DOG, BACK
4	2992499381492	SCREW M 4 X 10
5	2992499381737	FEED DOG, FRONT
6	2992499381410	SCREW M 4 X 4
7	2992499381632	GUIDE PIN
8	2992499381631	FEED BAR ROD
9	2992499381409	GRUB SCREW M 3x3 1752
10	2992499381660	COLLAR # 6
11	2992499381635	FEED ROCK CONN. ROD
12	2992499381510	LINK PIN
13	2992499381630	FEED BAR AXLE
14	2992499381794	FEED BAR
15	2992499381629	FEED BAR CONN. PIN BACK
16	2992499381411	WASHER 5 x 0,5
17	2992499381011	SNAP RING
18	2992499381645	FEED ROCK AXLE
19	2992499381447	GRUB SCREW
20	2992499381633	FEED ROCK LEVER LEFT
21	2992499381472	DF REGULATOR ROD
22	2992499381640	D.F.CONN.ROD LEFT
23	2992499381407	SCREW M 4 X 10
24	2992499381638	D.F. AXLE ARM
25	2992499381010	SNAP RING
26	2992499381016	CLIP RING 7
27	2992499381420	WASHER STW - FT 7 x 1
28	N/S	N/S
29	2992499381003	GRUB SREW M 4 X 5
30	2992499381637	D.F. GUIDE LEVER
31	2992499381014	E RING # 2,5
32	2992499381473	REGULATOR SLIDE BLOCK
33	2992499381634	FEED ROCK LEVER, BOCK
34	2992499381423	COLLAR E 7
35	2992499381636	SLIDE PIN
36	N/S	N/S
37	N/S	N/S
38	N/S	N/S
39	N/S	N/S
40	2992499381419	NEEDLE BAR ROD PIN
41	2992499381015	CLIP RING 8
42	2992499381412	WASHER STW FM 8 x 1
43	2992499381644	FEED DOG LEVER BACK
44	2992499381408	LOWER SHAFT COLLAR
45	2992499381435	MULTI PURPOSE FOOT
46	2992499381000	BLIND HEM FOOT
47	2992499381471	FEED FORKED ROD
48	2992499381001	FEED SLIDE BLOCK
49	N/S	N/S
50	2992499381442	FRICITION WASHER
51	2992499381470	FEED REGULATOR HINGE PIN
52	N/S	N/S
53	N/S	N/S
54	N/S	N/S
55	N/S	N/S
56	2992499381405	SCREW M 4 x 8



Pos	Part number	Description
1	2992499381116	DIFFERENTIAL SET ADJUSTMENT KN
2	N/S	N/S
3	N/S	N/S
4	2992499381011	SNAP RING
5	N/S	N/S
6	2992499381410	SCREW M 4 X 4
7	N/S	N/S
8	N/S	N/S
9	N/S	N/S
10	2992499381406	SCREW M 4 x 6
11	2992499381003	GRUB SREW M 4 X 5
12	2992499381418	LOOPER ROD ECCENTRIC
13	2992499381730	BALL ROD ASSEM
14	2992499381497	GRUB SCREW M 4 x 6
15	2992499381623	CAM
16	2992499381678	CAM HOLDER
17	2992499381462	CRANK CAM
18	2992499381739	CHAIN LOOPER ROD 4862/72
19	2992499381790	CHAIN STITCH ECCENTRIC
20	2992499381642	FEED ECCENTRIC
21	2992499381647	CUTTER CONN ROD
22	2992499381706	MAIN BALANCE WEIGHT LEFT
23	2992499381456	BEARING
24	2992499381641	CUTTER CAM
25	2992499381015	CLIP RING 8
26	2992499381412	WASHER STW FM 8 x 1
27	2992499381018	ROLL PIN 3 x 16
28	2992499381683	MAIN SHAFT
29	2992499381672	NP SENSOR ROD NO. 10188
30	2992499381684	BEARING
31	2992499381408	LOWER SHAFT COLLAR
32	2992499381471	FEED FORKED ROD
33	2992499381440	FEED CAM
34	2992499381457	CRANK ROD
35	N/S	N/S
36	2992499381490	TAPPING SCREW M 3 x 8,5
37	2992499381270	HANDWHEEL CAP NO. 11270
38	N/S	SCREW
39	2992499381022	D.F.AXLE
40	N/S	WASHER
41	2992499381267	HANDWHEEL
42	2992499381476	BELT XL 136
43	N/S	N/S

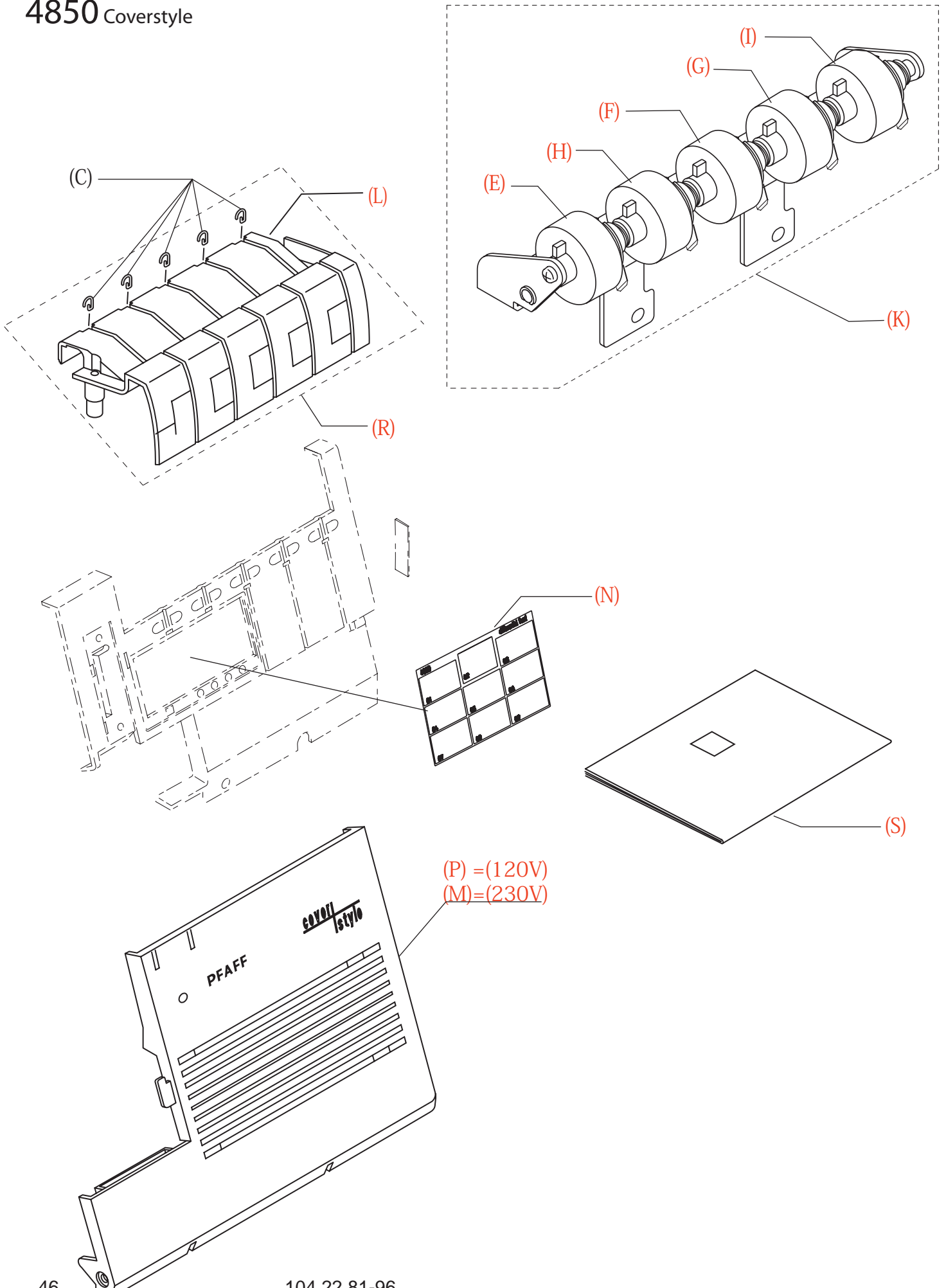


Pos	Part number	Description
1	2992499381409	GRUB SCREW M 3x3 1752
2	2992499381660	COLLAR # 6
3	2992499381649	CUTTER ARM (1)
4	2992499381505	HEXAGON SCREW M 4 X 10
5	2992499381668	UPPER KNIFE
6	2992499381656	MOVING BLADE HOLDER
7	2992499381522	PIN M 3 x 38
8	2992499381451	SCREW POINT M 3 X3
9	2992499381648	MOVING BLADE SUPPORT ROD
10	2992499381796	MOVING BLADE PRESSURE SPRING
11	2992499381410	SCREW M 4 X 4
12	2992499381655	CUTTER KNOB NO. 10144
13	2992499381657	PIN 4862/72
14	2992499381016	CLIP RING 7
15	2992499381420	WASHER STW - FT 7 x 1
16	2992499381651	CUTTER ARM AXLE (1)
17	2992499381650	CUTTER ARM (2)
18	2992499381423	COLLAR E 7
19	2992499381657	PIN 4862/72
20	2992499381003	GRUB SREW M 4 X 5
21	2992499381652	CUTTER ARM AXLE (2)
22	2992499381658	C-RING # 6
23	2992499381009	WASHER STW -FT 6 x 1
24	2992499381523	ALLEN SCREW M 4 x 10
25	2992499381114	FIXED BLADE PROTECTION COVER
26	2992499381494	SCREW
27	2992499381704	FIXED BLADE
28	2992499381705	FIXED BLADE SUPPORT
29	2992499381007	WASHER 13 x 8 x 0,2
30	2992499381499	NEEDLE PLATE LIFTER KL.4862 NR
31	2992499381015	CLIP RING 8
32	2992499381659	FIXED BLADE AXLE
33	2992499381661	SPRING
34	2992499381791	MOVING BLADE SHIFT ROD
35	2992499381012	SNAP RING
36	2992499381654	CUTTING WITH DIAL LEVER 10140
37	2992499381795	CUTTING WIDTH DIAL CAM
38	2992499381653	CUTTER WIDTH DIAL STAND
39	2992499381407	SCREW M 4 X 10
40	2992499381429	KNOB SPRING
41	2992499381123	SEAM WIDTH ADJUSTING KNOB
42	2992499381490	TAPPING SCREW M 3 x 8,5
43	2992499381674	BACK TUCK PLATE



Pos	Part number	Description
1	2992499381512	TWEEZERS
2	2992499381310	NEEDLE
3	2992499381120	POWER TABLE
4	2992499381445	AUX THREAD GUIDE
5	2992499381668	UPPER KNIFE
6	2992499381321	NEEDLE THREADER
7	2992499381299	THREAD SPOOL NET
8	2992499381311	NEEDLE INSERTER
9	2992499381744	TRANSPARENT PRESSER FOOT F
10	2992499381491	CONVERTER
11	2992499381716	ACCESSORIES BOX BLANK
12	2992499381255	SEWING MACHINE COVER
13	2992499381000	BLIND HEM FOOT
14	2992499381708	FOAM PAD
15	2992499381426	SPOOL CAP
16	N/S	OILER
17	2992499381432	BRUSH NO. 2379
18	2992499381747	SCREDRIVER
19	2992499381450	SCREWDRIVER 1,5 MM
20	2992499381495	SEWING PROGRAM CARD CS/SK
21	2992499381792	GUIDE RULE

4850 Coverstyle



Pos	Part number	Description
C	N/A	
D	N/A	
E	N/A	Tension Dial Light blue
F	N/A	Tension Dial Pimk
G	N/A	Tension Dail Yellow
H	N/A	Tension Dail Green
I	N/A	Tension Dail Purple
K	299249983/170	Tension Unit 4850 Blue
L	N/A	
M	2992499383/170	Looper cover, 4850 Blue
	2992499383/152	Looper cover, 4850 Red
N	2992499383/173	Program Display 4850 Blue
P	2992499383/174	Looper cover, 4850 for 120 Volt Blue
	2992499383/153	Looper cover, 4850 for 120 Volt Red
R	2992499383/175	Dail tension cover with springs-4850 Blue
	2992499383/154	Dail tension cover with springs-4850 Red
	2992499383/155	Machine Cover 4850
	412 86 12-01	Instrucion Manual 4850 Swedish
	412 86 12-26	Instrucion Manual 4850 English
	412 86 12-06	Instrucion Manual 4850 Danish
	412 86 12-31	Instrucion Manual 4850 French
	412 86 12-36	Instrucion Manual 4850 Dutch
	412 86 12-41	Instrucion Manual 4850 Italien
	412 86 12-51	Instrucion Manual 4850 German
	2992499383/156	Foot Control for Europe Type A
	2992499383/157	Foot Control for Australia Type I
	2992499383/158	Foot Control for USA/Canada Type O
	2992499383/159	Foot Control for UK Type E

coverstyle 4850

NOTE! For the parts that is not specific for coverstyle 4850 can parts from the Pfaff coverlock 4852/4872 / 62 be used.

PFAFF

© Nov 2008
Copyright VSM Group AB
All rights reserved

Technische Änderungen vorbehalten
Subject to alterations in design
Sous toute réserve de modifications
techniques
Salvo modificaciones técnicas
Con riserva di modifiche tecniche
Nr. 104 22 81-96