

# PFAFF®

## coverlock 3.0

Ersatzteile-Liste  
List of spare parts  
Liste des pièces détachées  
Catalogo pezzi staccati  
Lista de piezas de repuesto



Please note that on disposal, this product must be safely recycled in accordance with relevant National legislation relating to electrical/electronic products. If in doubt please contact your retailer for guidance.



Bitte beachten Sie, dass hinsichtlich der Entsorgung dieses Produkts, vorschriftsmäßig entsprechend der gültigen nationalen Gesetzgebung für elektrische/elektronische Produkte, recycelt werden muss. Bei Zweifel setzen Sie sich bitte mit Ihrem Fachhändler in Verbindung.



Veuillez noter qu'en cas de destruction, ce produit doit bénéficier d'un recyclage sécurisé, conforme à la législation nationale applicable aux produits électriques/électroniques. En cas de doute, veuillez contacter votre distributeur agréé.

- All casted parts within our products are marked with name of material if allowed by size.
- All molded plastic parts within our products are marked with name of material if allowed by size.

Nicht nummerierte Teile im Katalog werden nicht geliefert.

The parts mentioned without number in the parts list are not available.

Les pièces qui ne sont pas numérotées dans la liste de pièces détachées ne peuvent être livrées.

Pezzi non catalogati non sono disponibili.

Las piezas de repuesto sin número en esta lista no se entregarán.

Bei Bestellung von Ersatzteilen muss die Modell-Nr. der Maschine, die Seitenzahl des Kataloges und die Teilenummer angegeben werden.

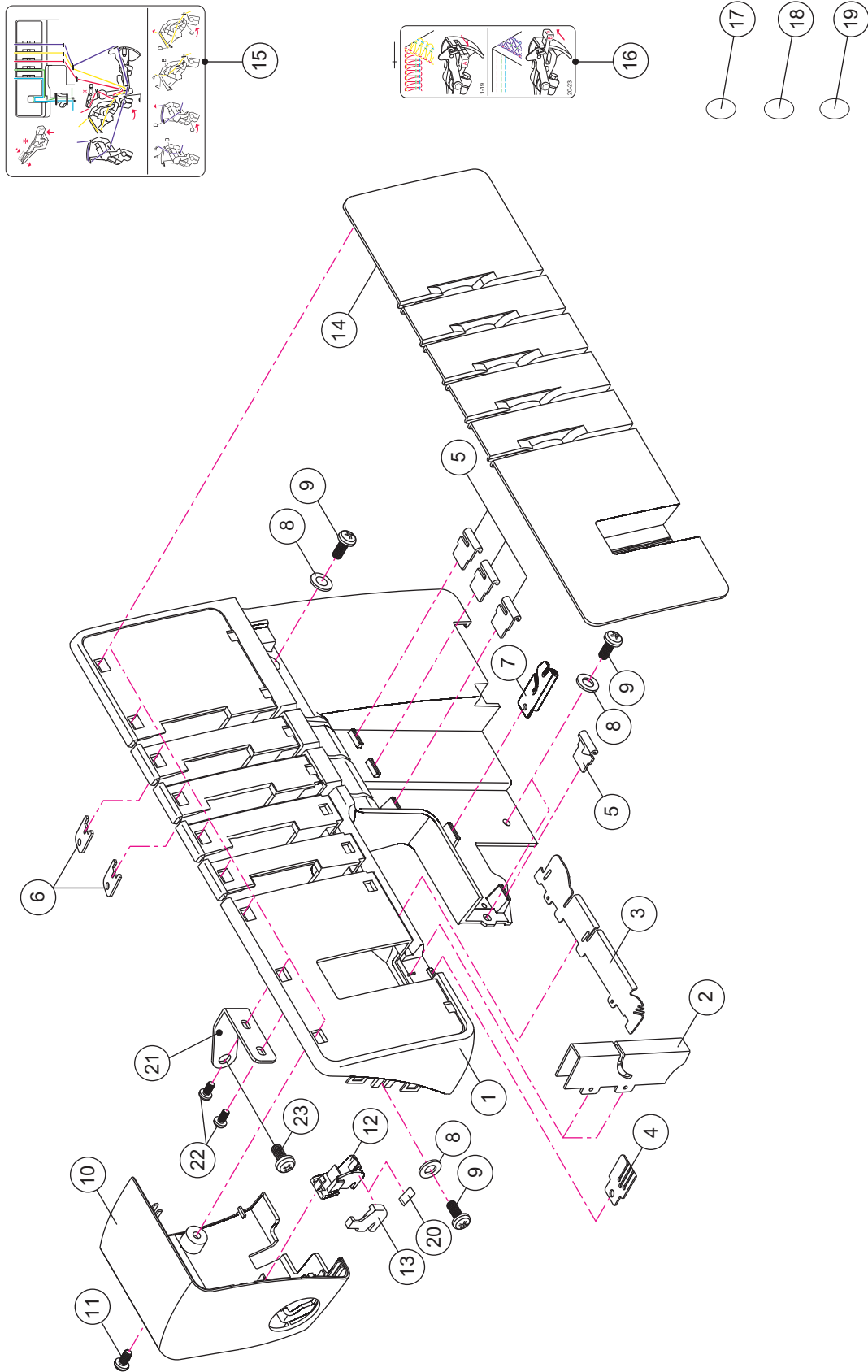
When ordering spare parts, please state the model number, the page number in the catalogue of spare parts and the number of the parts called for.

Prière d'indiquer dans vos commandes de pièces de rechange, le numéro de la machine, le numéro de la page dans la liste des pièces détachées, ainsi que les numéros des pièces commandées.

La richiesta dei pezzi di ricambio deve contenere il modello della macchina, la pagina del catalogo e il codice del pezzo.

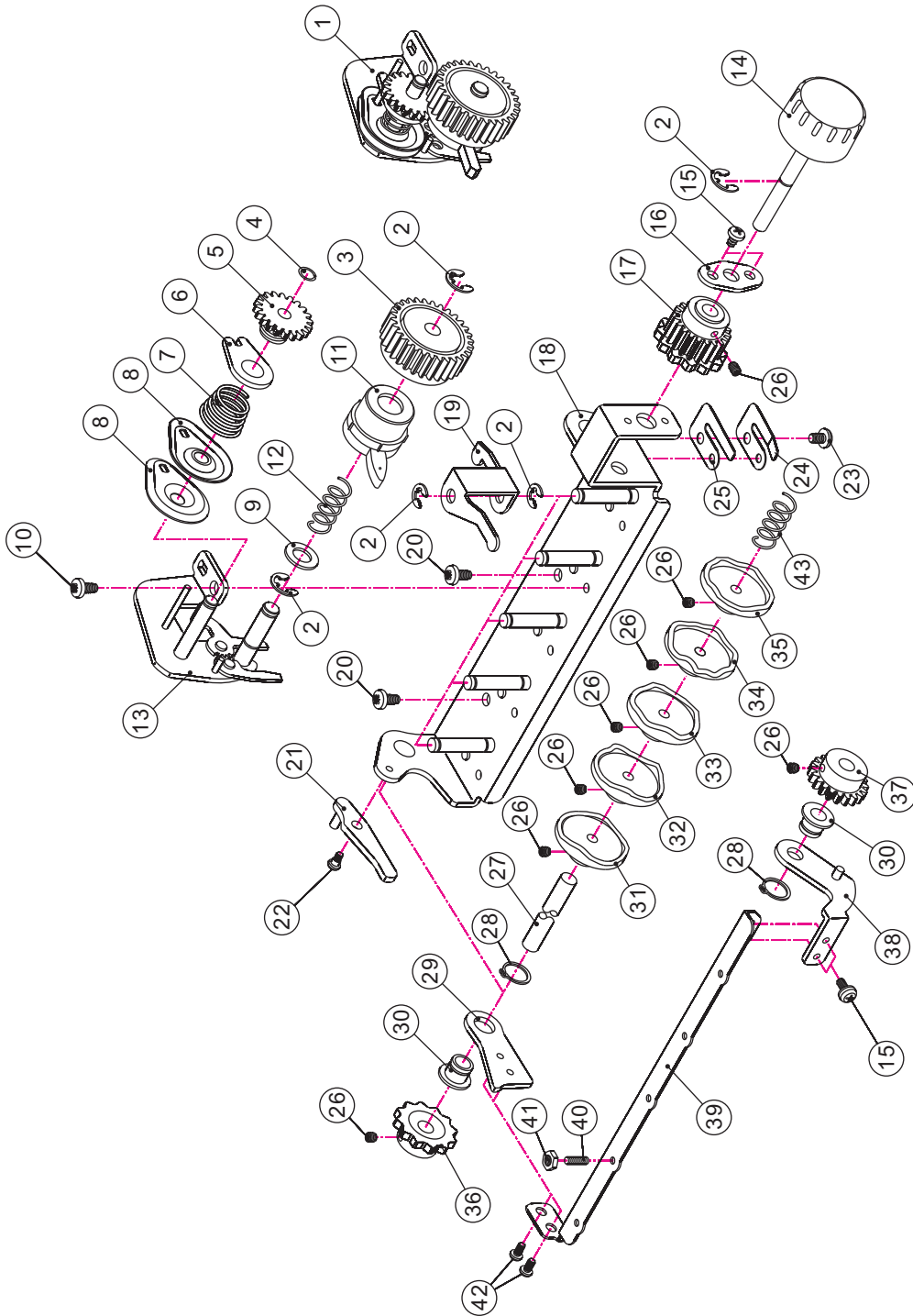
Al pedir piezas, sírvanse de indicar el número del modelo de la máquina, la página de la lista de piezas de repuestos y el número de la pieza deseada.

# A



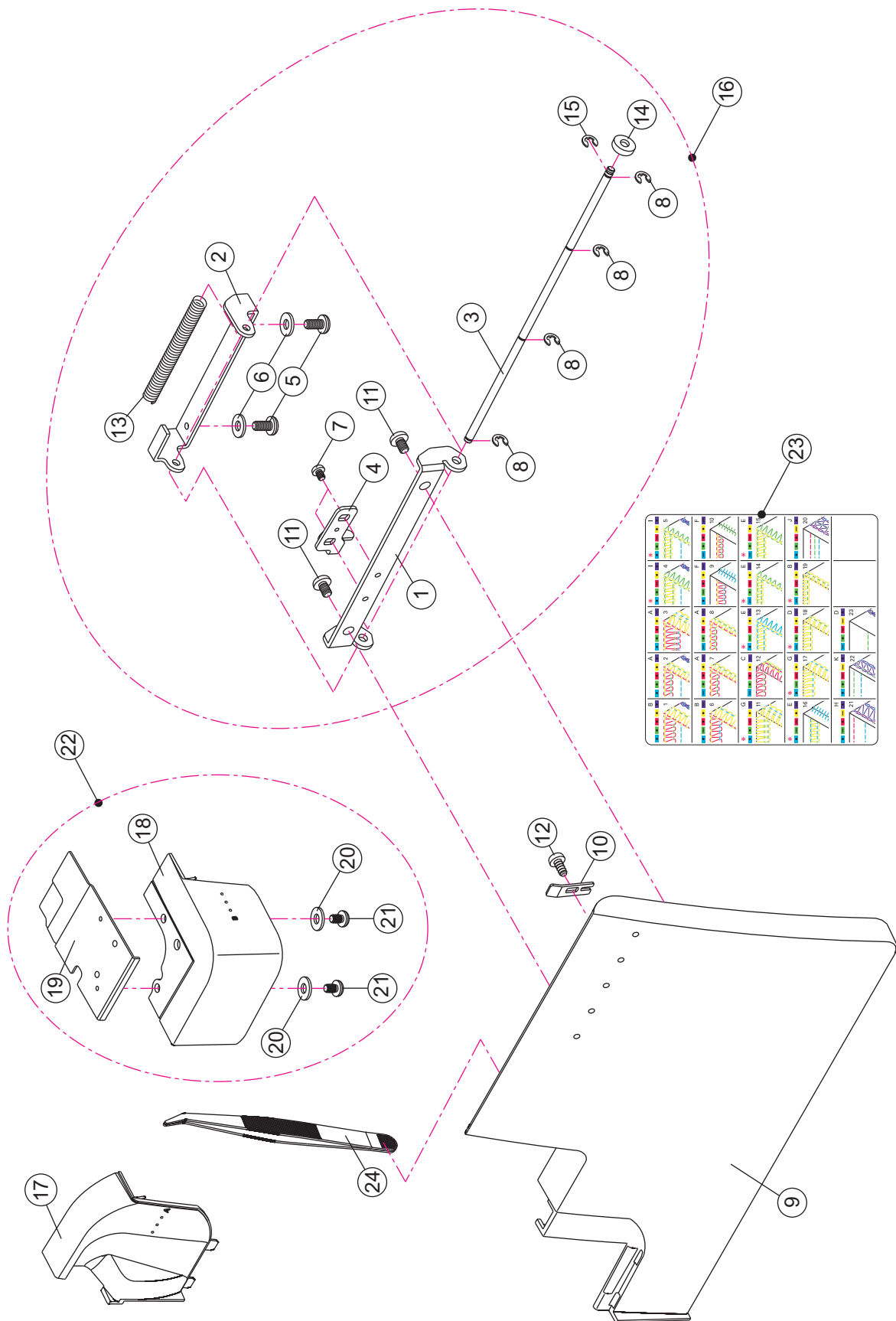
NO.	PART NO.	DESCRIPTION
1	416359101	FRONT PANEL SET (NO. 1.2.3.4.5.6.7.14.15.16.17.18.19.21.22 INCLUDED)
2	416359501	TENSION COVER SET (NO. 2.14 INCLUDED)
3	N/S	THREAD GUIDE (B)
4	N/S	THREAD GUIDE (C)
5	N/S	THREAD GUIDE (F)
6	N/S	THREAD GUIDE (D)
7	N/S	LOWER LOOPER THREAD GUIDE (A)
8	N/S	WASHER
9	N/S	SET SCREW
10	416359201	BULB COVER
11	N/S	SET SCREW
12	416359301	KNIFE HOLDER
13	416359401	KNIFE HOLDER CAP
14	416359501	TENSION COVER SET (NO. 2.14 INCLUDED)
15	416376401	THREAD GUIDE STICKER
16	416376501	CLUTCH LEVER STICKER
17	N/S	COLOR STICKER (YELLOW)
18	N/S	COLOR STICKER (RED)
19	N/S	COLOR STICKER (PURPLE)
20	416359601	KNIFE
21	N/S	FRONT COVER FIXING BOARD
22	N/S	SET SCREW
23	416390601	SET SCREW

# B



NO.	PART NO.	DESCRIPTION
1	416359701	TENSION FINE TUNING DIAL SET (NO.2.3.4.5.6.7.8.9.11.12.13 INCLUDED)
2	N/S	E RING
3	N/S	TENSION FINE TUNING GEAR
4	N/S	RING
5	N/S	TENSION REGULATE GEAR
6	N/S	TENSION REGULATE NUT
7	416359801	TENSION SPRING
8	416359901	TENSION DISC
9	N/S	WASHER
10	N/S	SET SCREW
11	N/S	TENSION FINE TUNING DIAL
12	N/S	SPRING
13	N/S	TENSION DIAL HOLDER SET
14	N/S	AUTO TENSION DIAL SELECTION
15	N/S	SET SCREW
16	N/S	AUTO TENSION DIAL SELECTION SHAFT HOLDER
17	N/S	TENSION FIXED GEAR
18	N/S	TENSION DIAL HOLDER
19	N/S	TENSION TRANSMITTING ARM
20	N/S	SET SCREW
21	N/S	TENSION RESTORING PLATE
22	N/S	SET SCREW
23	N/S	SET SCREW
24	N/S	SPRING
25	N/S	SPRING
26	N/S	SET SCREW
27	N/S	TENSION CAM SHAFT
28	N/S	C RING
29	N/S	RESTORING PLATE (B)
30	N/S	RESTORING PLATE BUSHING
31	N/S	TENSION CAM (A)
32	N/S	TENSION CAM (B)
33	N/S	TENSION CAM (C)
34	N/S	TENSION CAM (D)
35	N/S	TENSION CAM (E)
36	N/S	RESTORING GEAR
37	N/S	TENSION GEAR
38	N/S	RESTORING PLATE (A)
39	N/S	RESTORING REGULATE PLATE
40	N/S	SET SCREW
41	N/S	NUT
42	N/S	SET SCREW
43	N/S	SPRING
44	N/S	RESTORING PLATE (A) SET (NO. 15.38.39.40.41 INCLUDED)
45	N/S	TENSION DIAL SET (NO. 2.14.15.16.17.18.19.21.22.23.24.25.26.28.30.37. 44 INCLUDED)
46	N/S	TENSION DIAL SET (NO. 27.28.29.30.31. 32.33.34.35.36.42.43.45 INCLUDED)

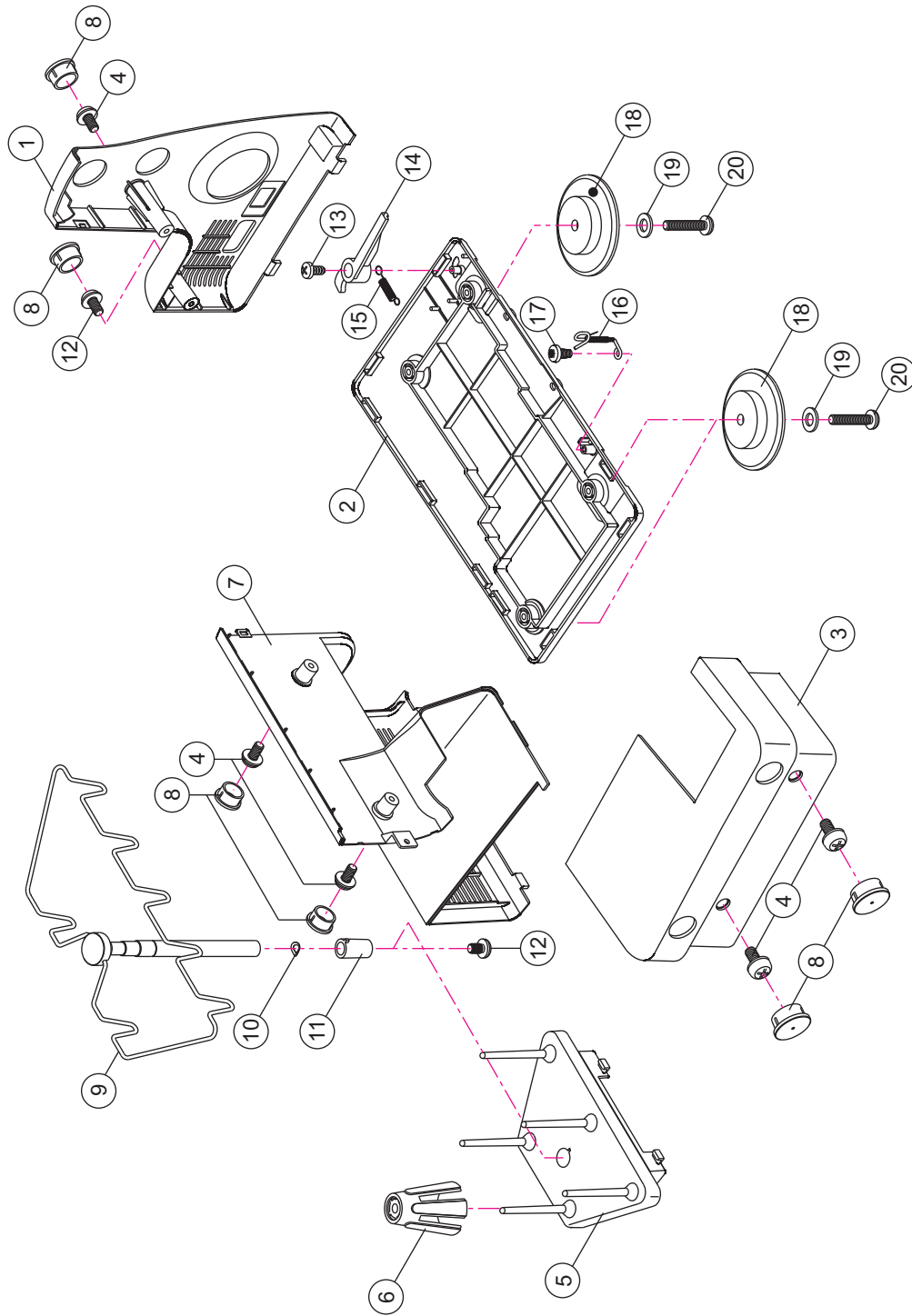
C



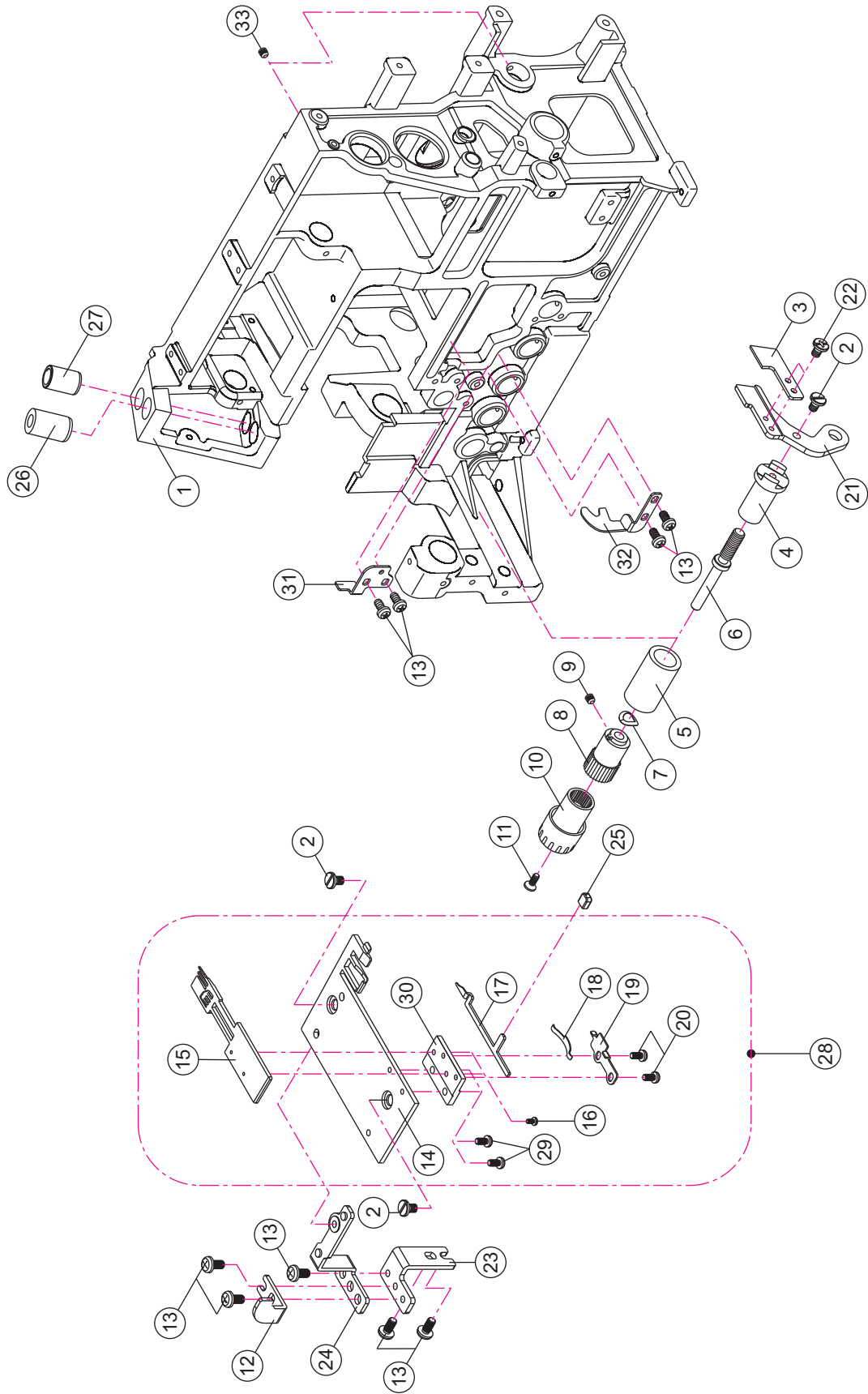


NO.	PART NO.	DESCRIPTION
1	N/S	FRONT COVER HINGE (A)
2	N/S	FRONT COVER HINGE (B)
3	N/S	FRONT COVER HINGE SHAFT
4	N/S	HINGE LOCATING BOARD
5	N/S	SET SCREW
6	N/S	WASHER
7	N/S	SET SCREW
8	N/S	E RING
9	416360001	FRONT COVER
10	416377301	FRONT COVER SETTING PLATE
11	N/S	SET SCREW
12	416377401	SET SCREW
13	N/S	FRONT COVER HINGE SPRING
14	N/S	CONNECTING PRESS PLATE
15	N/S	E RING
16	416374301	FRONT COVER HINGE SET (NO.1.2.3.4.5.6.7.8.11.13.14.15 INCLUDED)
17	416360101	CUTTER COVER (A)
18	N/S	CUTTER COVER (B)
19	N/S	CUTTER COVER (B) GUIDE PLATE
20	N/S	WASHER
21	N/S	SET SCREW
22	416360201	CUTTER COVER (B) SET
23	416377501	STITCH STICKER
24	416015401	TWEEZERS

# D

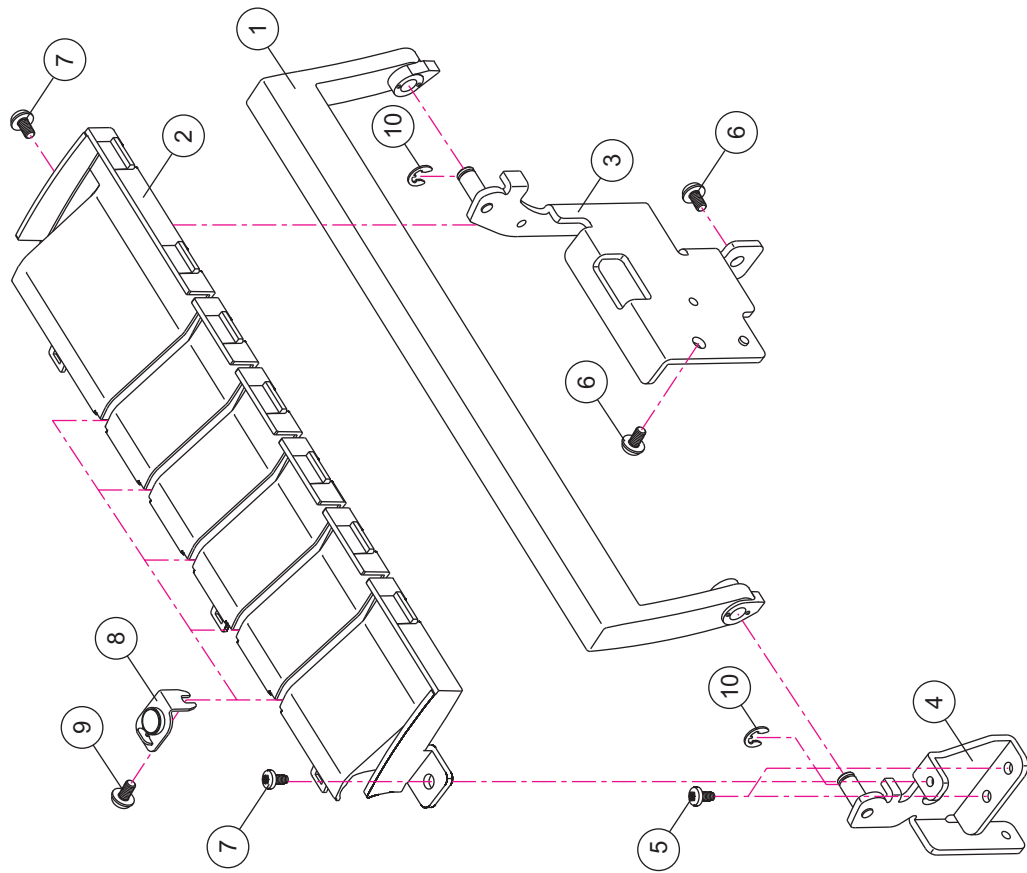


NO.	PART NO.	DESCRIPTION
1	416360301	SIDE COVER
2	416360401	BASE PLATE
3	416360501	FLAT BED EXTENSION
4	N/S	SET SCREW
5	416360601	SPOOL STAND
6	416360701	CONE HOLDER
7	416360801	BACK COVER
8	416360901	SCREW CAP
9	416361001	TELESCOPIC THREAD STAND
10	N/S	WAVE WASHER
11	416361101	EXTENSION BAR SETTING
12	N/S	SET SCREW
13	416377401	SET SCREW
14	416361201	MICRO SWITCH CONTRACTOR SPRING
15	416361301	SPRING
16	416361401	CHAIN LOOPER THREAD GUIDE SET
17	N/S	SET SCREW
18	416361501	RUBBER
19	N/S	WASHER
20	N/S	SET SCREW



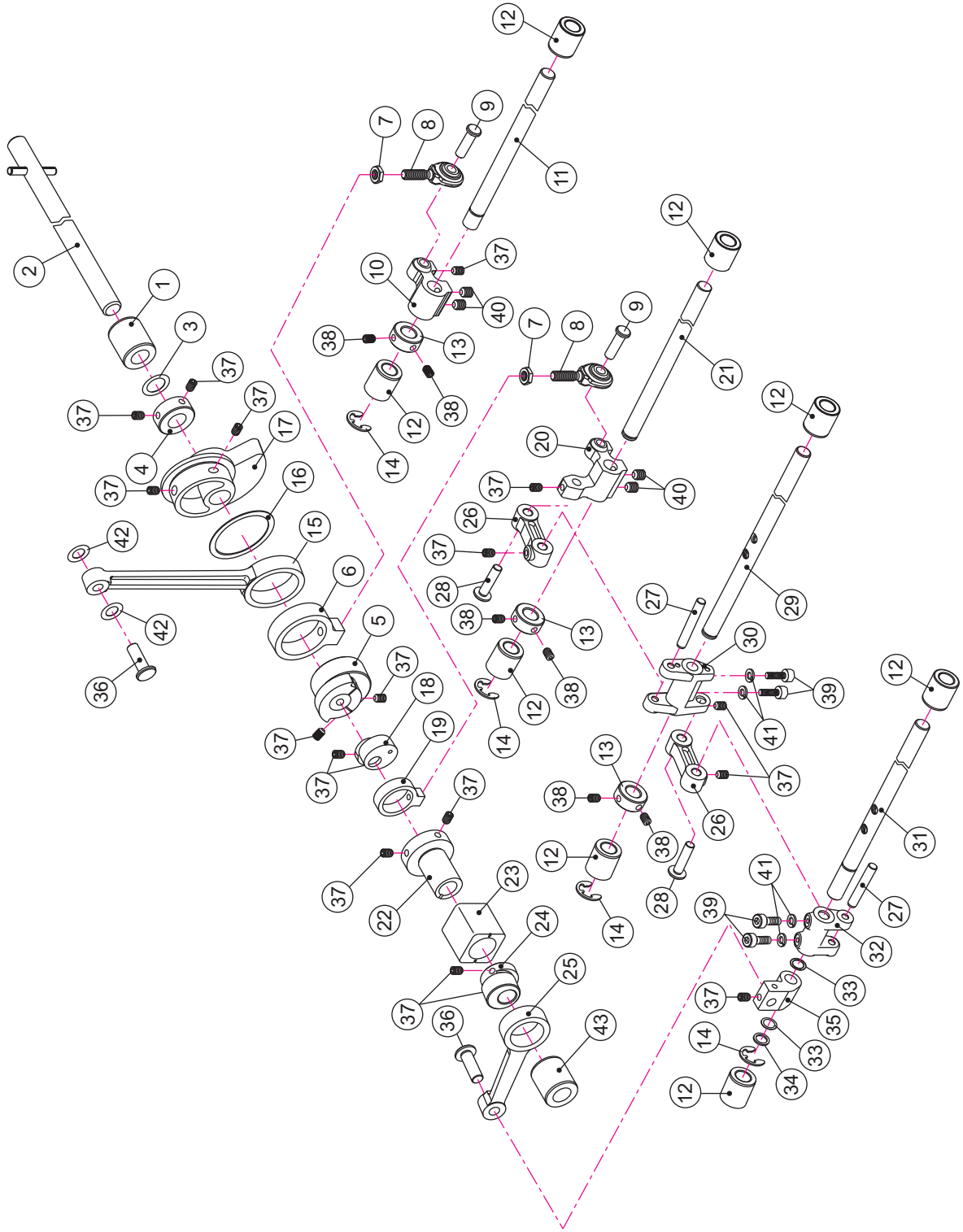
NO.	PART NO.	DESCRIPTION
1	N/S	MACHINE FRAME
2	<b>416427301</b>	SET SCREW
3	416361601	LOWER CUTTER
4	416361701	LOWER CUTTER HOLDER
5	N/S	LOWER CUTTER HOLDER BUSHING
6	N/S	CUTTING WIDTH KNOB SHAFT
7	N/S	WAVE WASHER
8	N/S	CUTTING WIDTH KNOB
9	416377201	SET SCREW
10	416361801	CUTTING WIDTH DIAL
11	416377601	SET SCREW
12	N/S	FRONT FEED DOG GUIDE BOARD
13	N/S	SET SCREW
14	N/S	STITCH PLATE
15	N/S	FIXED LEVER
16	N/S	SET SCREW
17	N/S	MOVING LEVER
18	N/S	LOCATING SPRING
19	N/S	MOVING LEVER HOLDER
20	N/S	SET SCREW
21	416362101	LOWER SUPPORT
22	N/S	SET SCREW
23	N/S	NEEDLE PLATE LOCATING BOARD SUPPORT
24	N/S	NEEDLE PLATE LOCATING BOARD
25	416362201	STITCH FINGER LEVER
26	416377701	NEEDLE BAR BUSHING
27	N/S	PRESSER BAR BUSHING
28	416362301	STITCH PLATE SET (NO. 14.15.16.17.18.19.20.29.30 INCLUDED)
29	N/S	SET SCREW
30	N/S	FIXED BOARD
31	N/S	FEED DOG HOLDER GUIDE BOARD (REAR)
32	N/S	FEED DOG HOLDER GUIDE BOARD (FRONT)
33	N/S	SET SCREW

# F



NO.	PART NO.	DESCRIPTION
1	416362401	HANDLE HOLDER
2	416362501	TOP COVER
3	416362601	HANDLE SUPPORTER SET(R)
4	416362701	HANDLE SUPPORTER SET(L)
5	N/S	SET SCREW
6	N/S	SET SCREW
7	N/S	SET SCREW
8	416362801	THREAD GUIDE PLATE
9	416377401	SET SCREW
10	N/S	E RING

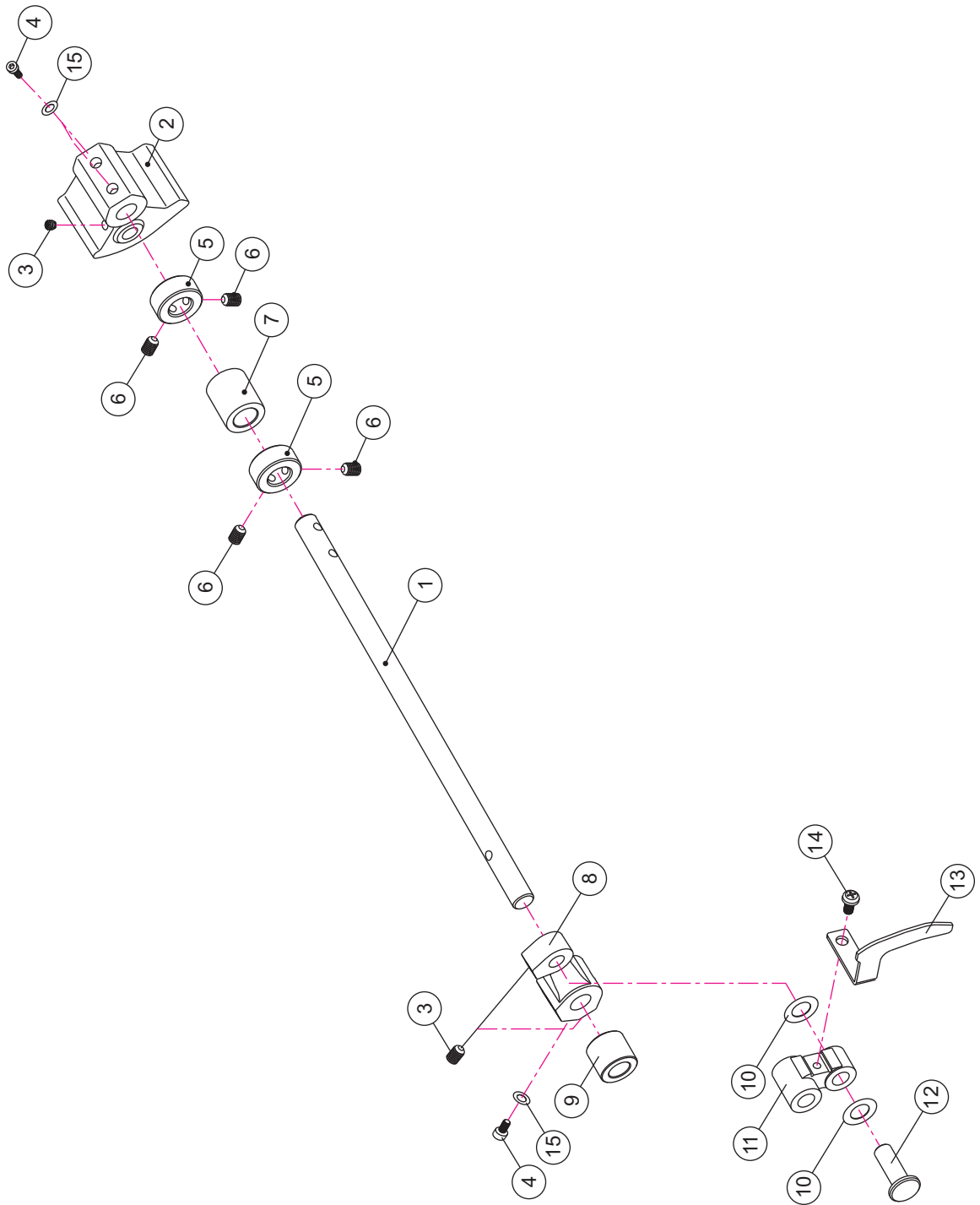
# G



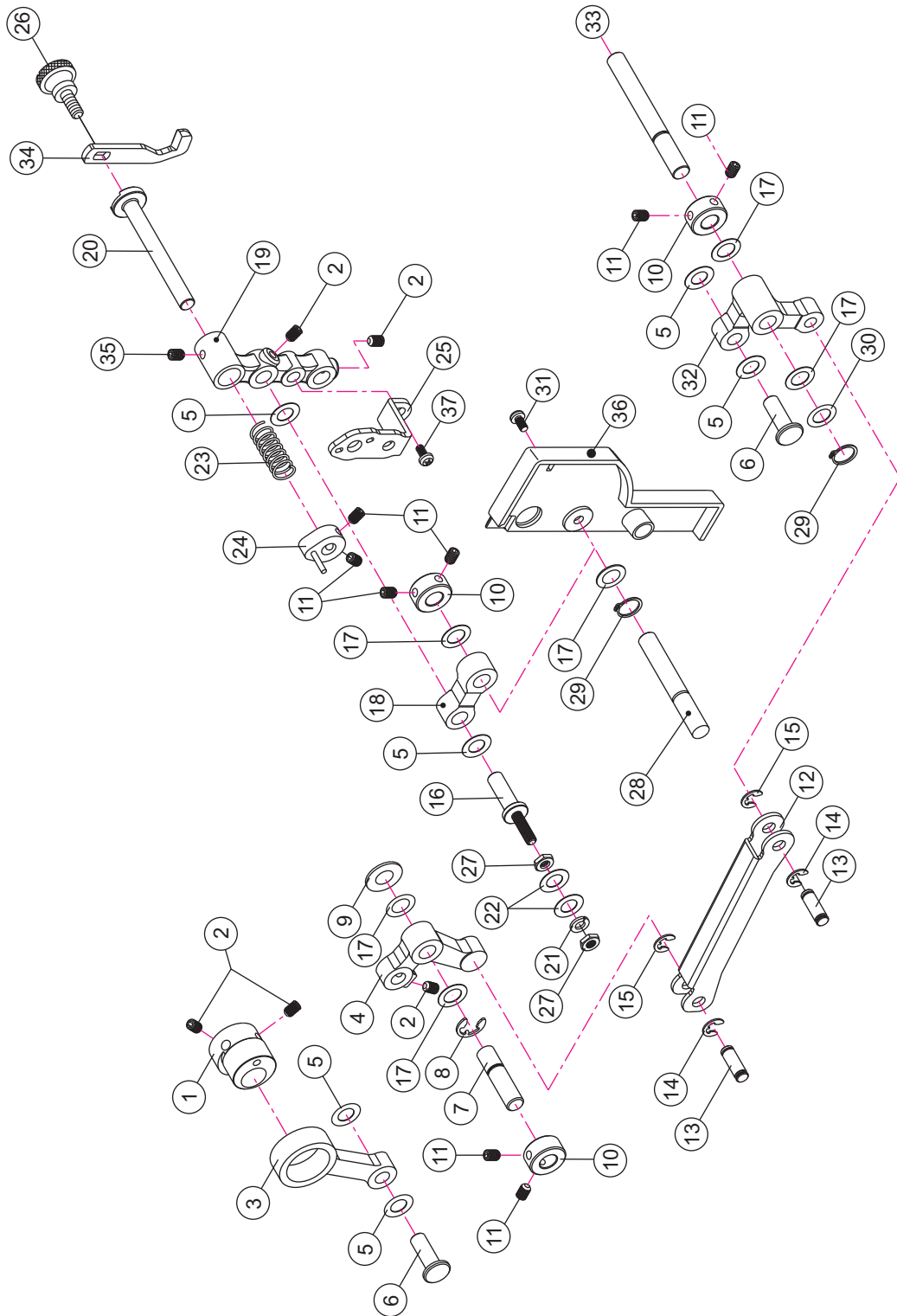


NO.	PART NO.	DESCRIPTION
1	416362901	MAIN SHAFT BUSHING
2	N/S	MAIN SHAFT SET
3	N/S	WASHER
4	N/S	SETTING COLLAR
5	416363101	LOOPER CAM (A)
6	416363201	LOOPER LINK
7	N/S	NUT
8	N/S	BEARING
9	N/S	LOOPER SHAFT LINK PIN
10	N/S	LOOPER SHAFT LINK
11	N/S	UPPER LOOPER SHAFT
12	416363001	LOOPER SHAFT BUSHING
13	N/S	SETTING COLLAR
14	N/S	E RING
15	416363301	NEEDLE BAR CONNECTING BAR
16	416363401	WASHER
17	416363501	NEEDLE BAR CAM
18	416363601	LOWER LOOPER CAM
19	416363701	LOOPER LINK (B)
20	N/S	LOOPER SHAFT LINK
21	N/S	COVER STITCH DRIVING SHAFT
22	416363801	FEED DOG CAM
23	416363901	FEED DOG SUPPORTER SLIDE BLOCK
24	416364001	COVER STITCH LOOPER CAM
25	N/S	COVER STITCH LINK
26	N/S	WAVER LINK BAR
27	N/S	WAVER LINK BAR PIN (B)
28	N/S	WAVER LINK BAR PIN (A)
29	N/S	LOWER LOOPER SHAFT
30	N/S	LOWER LOOPER SHAFT LINK (B)
31	N/S	COVER STITCH SHAFT
32	N/S	WAVER STITCH SHAKING ARM
33	N/S	WASHER
34	N/S	WASHER
35	N/S	SHAFT DRIVING SUPPORT
36	N/S	FEED DOG LINK PIN (B)
37	N/S	SET SCREW
38	416377201	SET SCREW
39	N/S	SET SCREW
40	N/S	SET SCREW
41	N/S	WASHER
42	N/S	WASHER
43	416380901	MAIN SHAFT BUSHING (B)

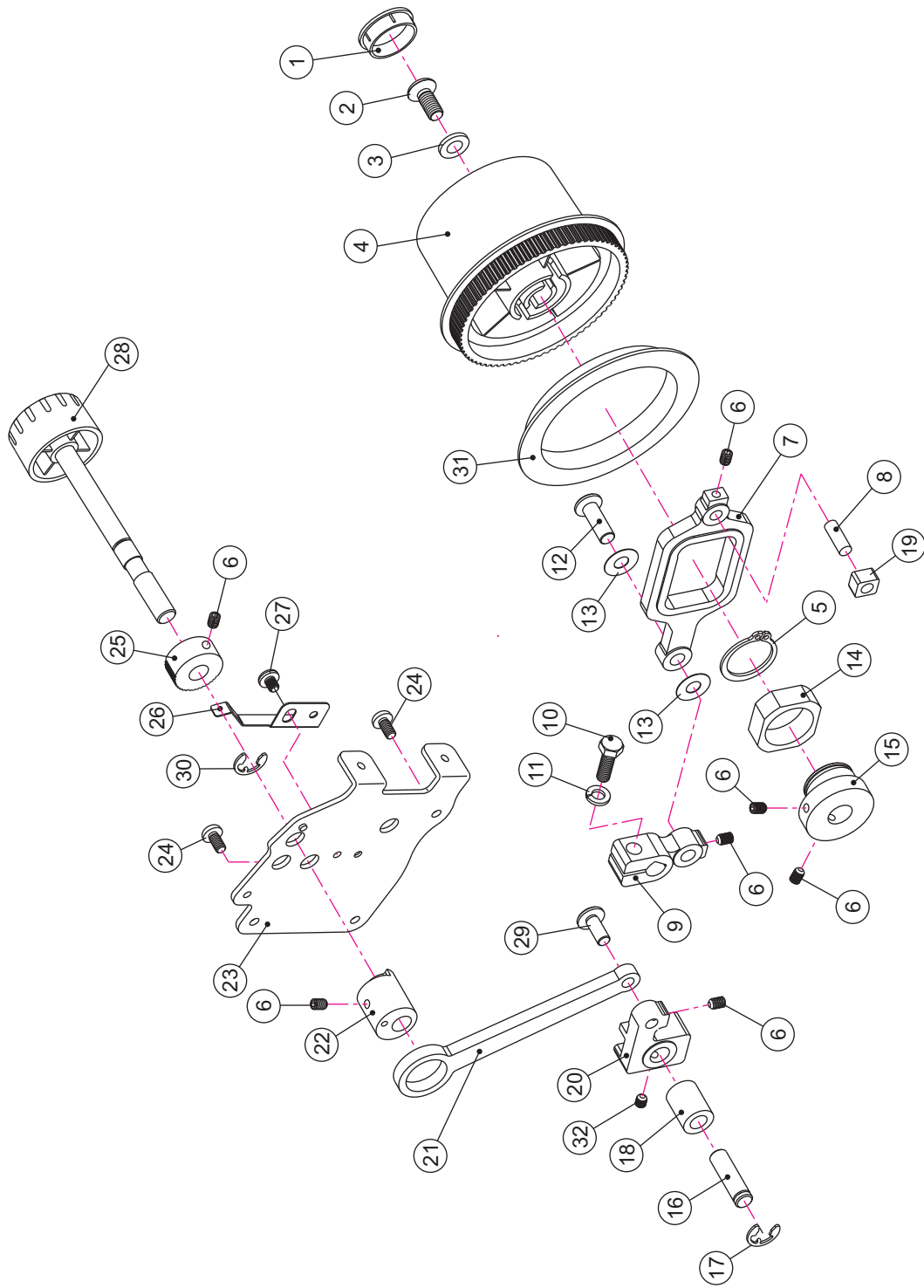
# H



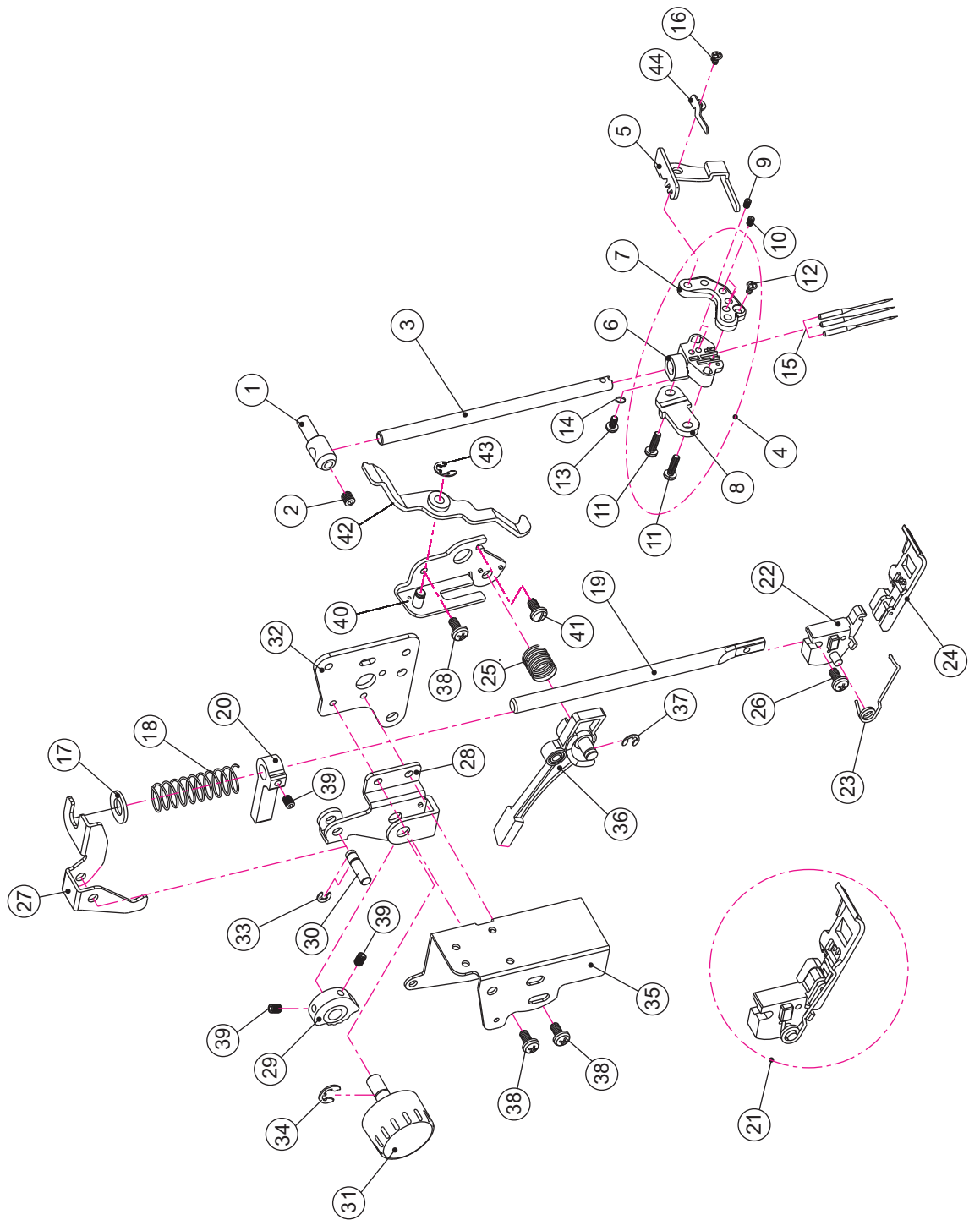
NO.	PART NO.	DESCRIPTION
1	N/S	NEEDLE BAR LINK SHAFT
1	N/S	NEEDLE BAR LINK SHAFT
2	N/S	NEEDLE BAR CRANK (R)
3	N/S	SET SCREW
4	N/S	SET SCREW
5	N/S	SETTING COLLAR
6	416377201	SET SCREW
7	416363001	LOOPER SHAFT BUSHING
8	N/S	NEEDLE BAR CRANK (L)
9	N/S	LOOPER SHAFT BUSHING
10	N/S	WASHER
11	N/S	NEEDLE BAR CONNECTING ARM
12	N/S	FEED DRIVE LINK PIN (B)
13	416377801	NEEDLE BAR THREAD TAKE-UP LEVER
14	416377601	SET SCREW
15	N/S	WASHER



NO.	PART NO.	DESCRIPTION
1	N/S	UPPER CUTTER CAM
2	N/S	SET SCREW
3	N/S	UPPER CUTTER SHAKE LINK
4	N/S	UPPER CUTTER SHAKE ARM
5	N/S	WASHER
6	N/S	FEED DRIVE LINK PIN (B)
7	N/S	UPPER CUTTER SHAKE ARM SHAFT
8	N/S	E RING
9	N/S	WASHER
10	N/S	SETTING COLLAR
11	416377201	SET SCREW
12	N/S	UPPER CUTTER LINK
13	N/S	UPPER CUTTER LINK PIN
14	N/S	E RING
15	N/S	E RING
16	N/S	UPPER CUTTER ARM SHAFT
17	N/S	WASHER
18	N/S	UPPER CUTTER ARM SUPPORT BAR
19	N/S	UPPER CUTTER ARM
20	416364201	UPPER CUTTER HOLDER
21	N/S	SPRING WASHER
22	N/S	WASHER
23	416364301	UPPER CUTTER SPRING
24	416364401	UPPER CUTTER SPRING COLLAR
25	N/S	UPPER CUTTER HOLDER SUPPORT
26	416292601	SET SCREW
27	N/S	NUT
28	N/S	UPPER CUTTER ARM SUPPORT BAR SHAFT
29	N/S	C RING
30	N/S	WASHER
31	416377601	SET SCREW
32	N/S	UPPER CUTTER ARM DRIVE ARM
33	N/S	UPPER CUTTER SHAKE ARM SHAFT
34	416364601	UPPER CUTTER
35	416293101	SET SCREW
36	416364701	UPPER CUTTER SET COVER
37	N/S	SET SCREW

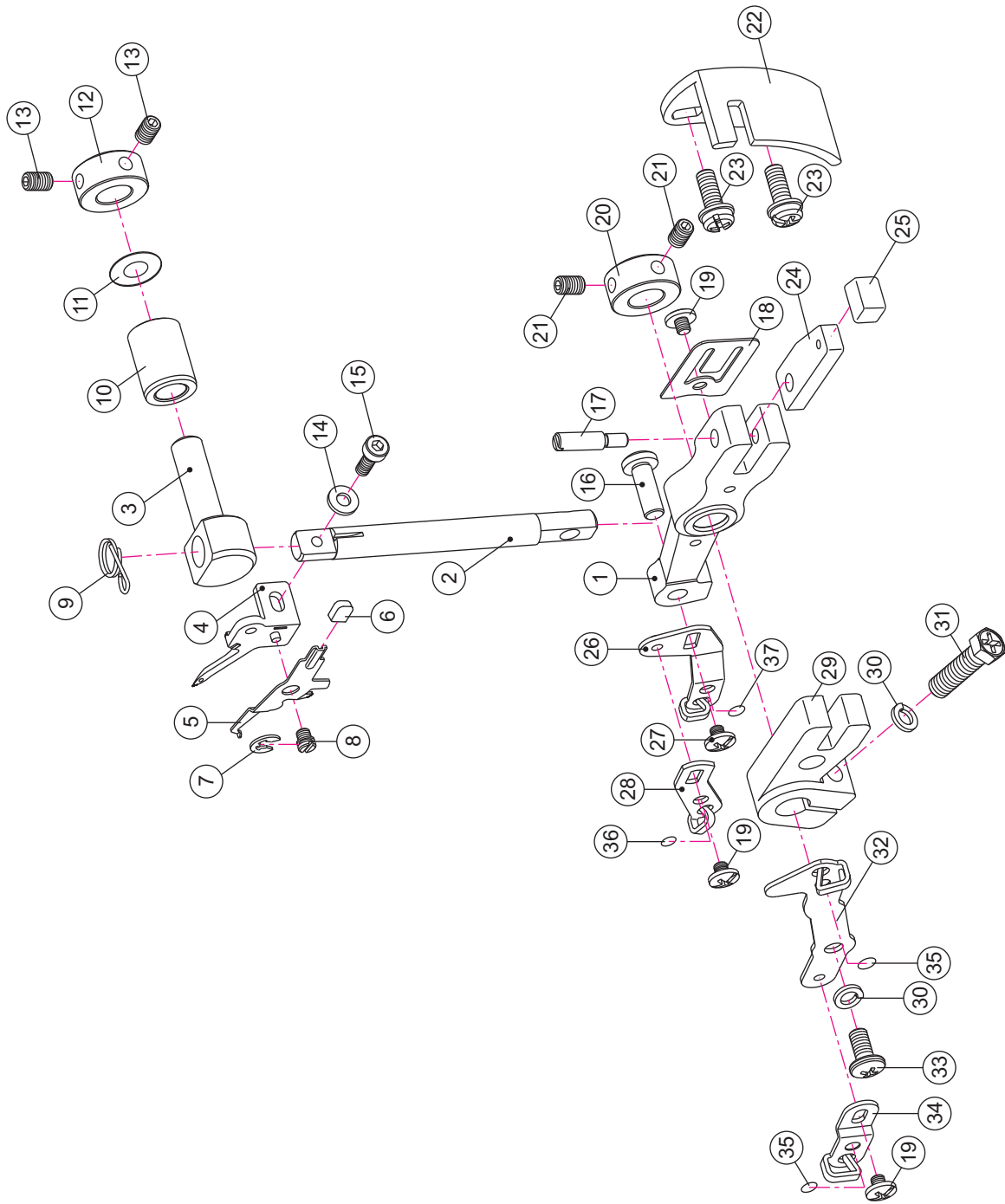


NO.	PART NO.	DESCRIPTION
1	416364801	HAND WHEEL CAP
2	N/S	SET SCREW
3	N/S	WASHER
4	N/S	HAND WHEEL
5	N/S	C RING
6	N/S	SET SCREW
7	416365001	FEED DRIVE LINK
8	416365101	FEED DRIVE LINK PIN (A)
9	N/S	FEED LINK
10	N/S	SET SCREW
11	N/S	SPRING WASHER
12	N/S	FEED DRIVE LINK PIN (B)
13	N/S	WASHER
14	416365201	FEED CAM SLIDE BLOCK
15	416365301	FEED CAM
16	N/S	FEED REGULATE HOLDER SHAFT
17	N/S	E RING
18	N/S	FEED REGULATE HOLDER BUSHING
19	416365401	FEED SLIDE BLOCK
20	416365501	FEED SLIDE HOLDER
21	N/S	FEED REGULATE LINK
22	N/S	FEED REGULATE CAM
23	N/S	FEED REGULATE HOLDER
24	N/S	SET SCREW
25	N/S	LOCATING COLLAR
26	N/S	LOCATING SPRING
27	N/S	SET SCREW
28	N/S	STITCH LENGTH DIAL
29	N/S	FEED REGULATE LINK PIN
30	N/S	E RING
31	416377901	HAND WHEEL SETTING COLLAR
32	416377201	SET SCREW





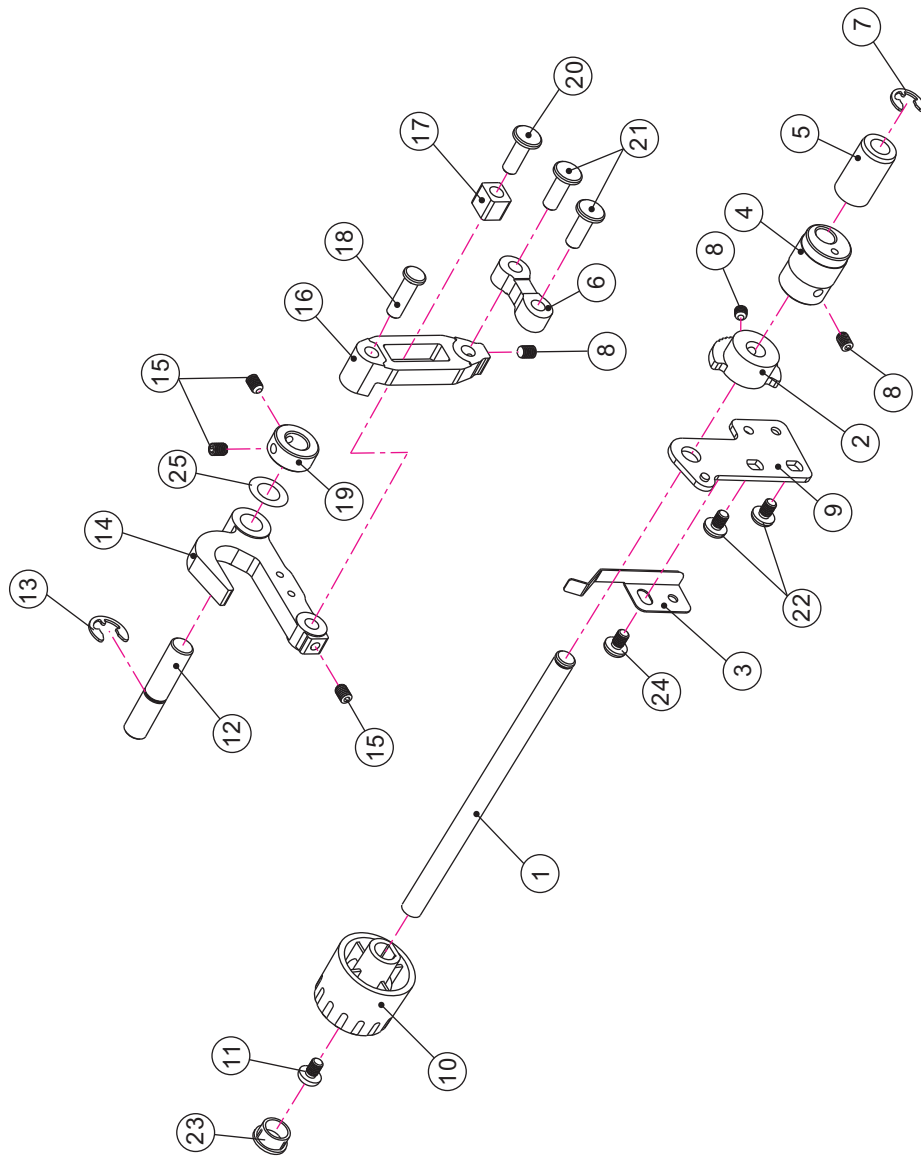
NO.	PART NO.	DESCRIPTION
1	N/S	NEEDLE BAR SETTING LINK
2	N/S	SET SCREW
3	416365601	NEEDLE BAR
4	416365701	NEEDLE CLAMP COMPLETE SET
5	416365801	NEEDLE CLAMP THREAD GUIDE
6	N/S	NEEDLE CLAMP
7	N/S	NEEDLE CLAMP LOWER BOARD
8	N/S	NEEDLE CLAMP UPPER BOARD
9	416391401	SET SCREW NEEDLE CLAMP BACK
10	416365901	SET SCREW
11	N/S	SET SCREW
12	N/S	SET SCREW
13	416366101	SET SCREW
14	N/S	WASHER
15	N/S	NEEDLE
16	416377601	SET SCREW
17	N/S	WASHER
18	416366201	PRESSER BAR SPRING
19	416366301	PRESSER BAR
20	416366401	PRESSER BAR SETTING LINK
21	416390801	PRESSER FOOT COMPLETE SET
22	416366501	PRESSER FOOT HOLDER
23	N/S	PRESSER FOOT SPRING
24	416364501	PRESSER FOOT
25	N/S	PRESSER FOOT LIFTER SPRING
26	416367301	SET SCREW
27	416367401	NEEDLE BAR LOCATE BOARD
28	N/S	NEEDLE BAR LOCATE SUPPORT
29	N/S	NEEDLE BAR LOCATE CAM
30	N/S	NEEDLE BAR LOCATE PIN
31	416367501	PRESSER BAR DIAL
32	N/S	SUPPORT SETTING BOARD
33	N/S	E RING
34	N/S	E RING
35	N/S	BULB HOLDER
36	416367601	PRESSER FOOT LIFTER
37	N/S	E RING
38	N/S	SET SCREW
39	N/S	SET SCREW
40	416367701	PRESSER FOOT LIFTER HOLDER
41	N/S	SET SCREW
42	416367801	RELEASE PLATE
43	N/S	E RING
44	416378001	THREAD GUIDE ATTACHED PLATE





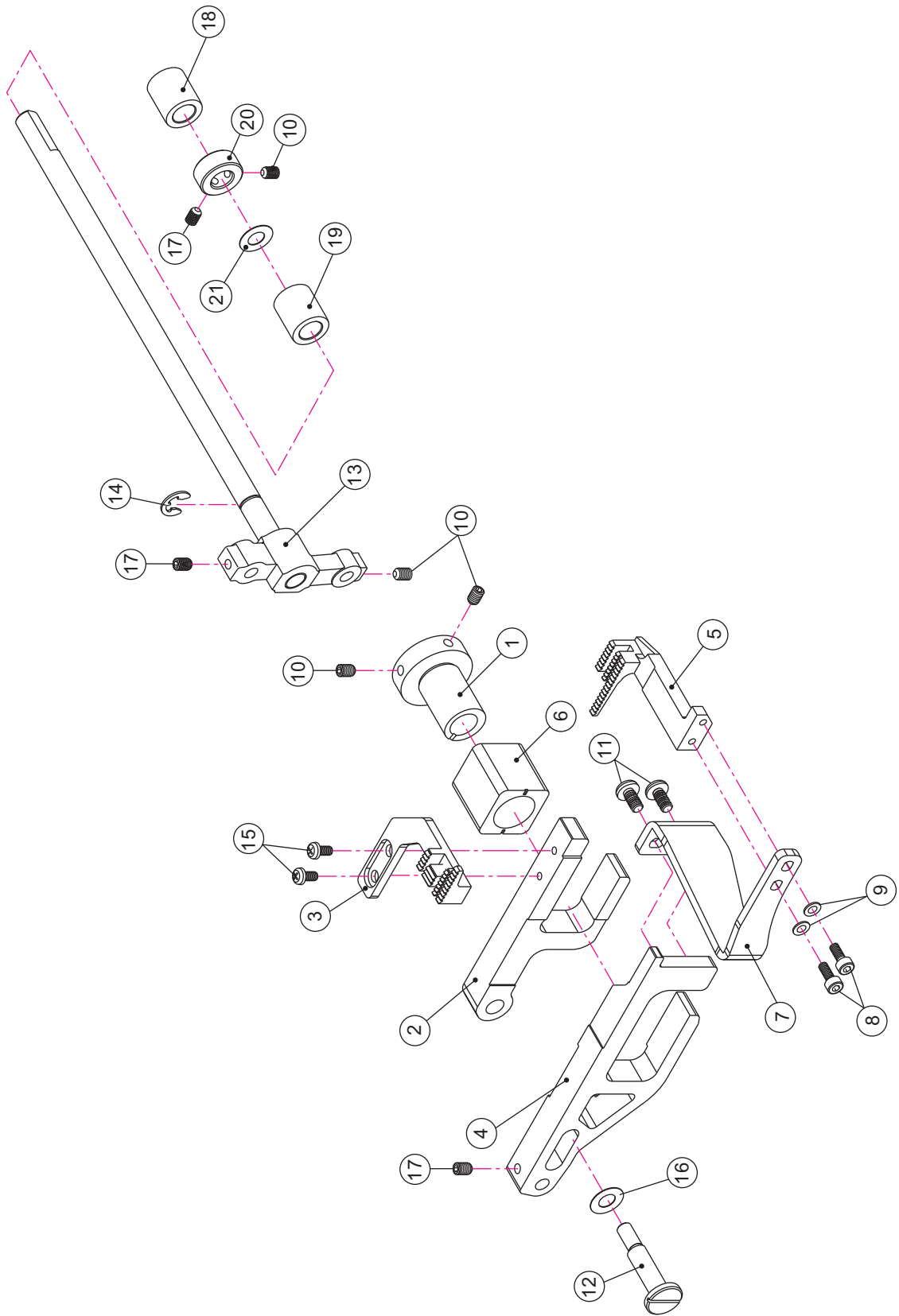
NO.	PART NO.	DESCRIPTION
1	N/S	UPPER LOOPER CONNECTING ARM
2	N/S	SLIDE SHAFT
3	N/S	SLIDE SHAFT HOLDER
4	416367901	UPPER LOOPER
5	416368001	TWO THREAD CONVERTER
6	416362201	STITCH FINGER LEVER
7	N/S	E RING
8	416368101	TWO THREAD CONVERTER SHAFT
9	416368201	UPPER LOOPER THREADING GUIDE
10	416368301	SLIDE SHAFT HOLDER BUSHING
11	N/S	WASHER
12	N/S	SETTING COLLAR
13	416377201	SET SCREW
14	416368401	WASHER
15	416368501	SET SCREW
16	N/S	SLIDE SHAFT PIN
17	N/S	PIN
18	416368601	SPRING
19	N/S	SET SCREW
20	N/S	SETTING COLLAR
21	N/S	SET SCREW
22	416368701	CLUTCH LOCATOR
23	N/S	SET SCREW
24	N/S	UPPER LOOPER CLUTCH LEAVER
25	416368801	CLUTCH LEAVER CAP
26	416368901	LOWER LOOPER THREAD TAKE-UP LEVER
27	416377601	SET SCREW
28	416369001	UPPER LOOPER THREAD TAKE-UP LEVER
29	N/S	UPPER LOOPER DRIVER
30	N/S	WASHER
31	N/S	SET SCREW
32	416369101	CHAIN LOOPER THREAD TAKE-UP LEVER D
33	N/S	SET SCREW
34	416369201	CHAIN LOOPER THREAD TAKE-UP LEVER E
35	N/S	COLOR STICKER (PURPLE)
36	N/S	COLOR STICKER (RED)
37	N/S	COLOR STICKER (YELLOW)

# M

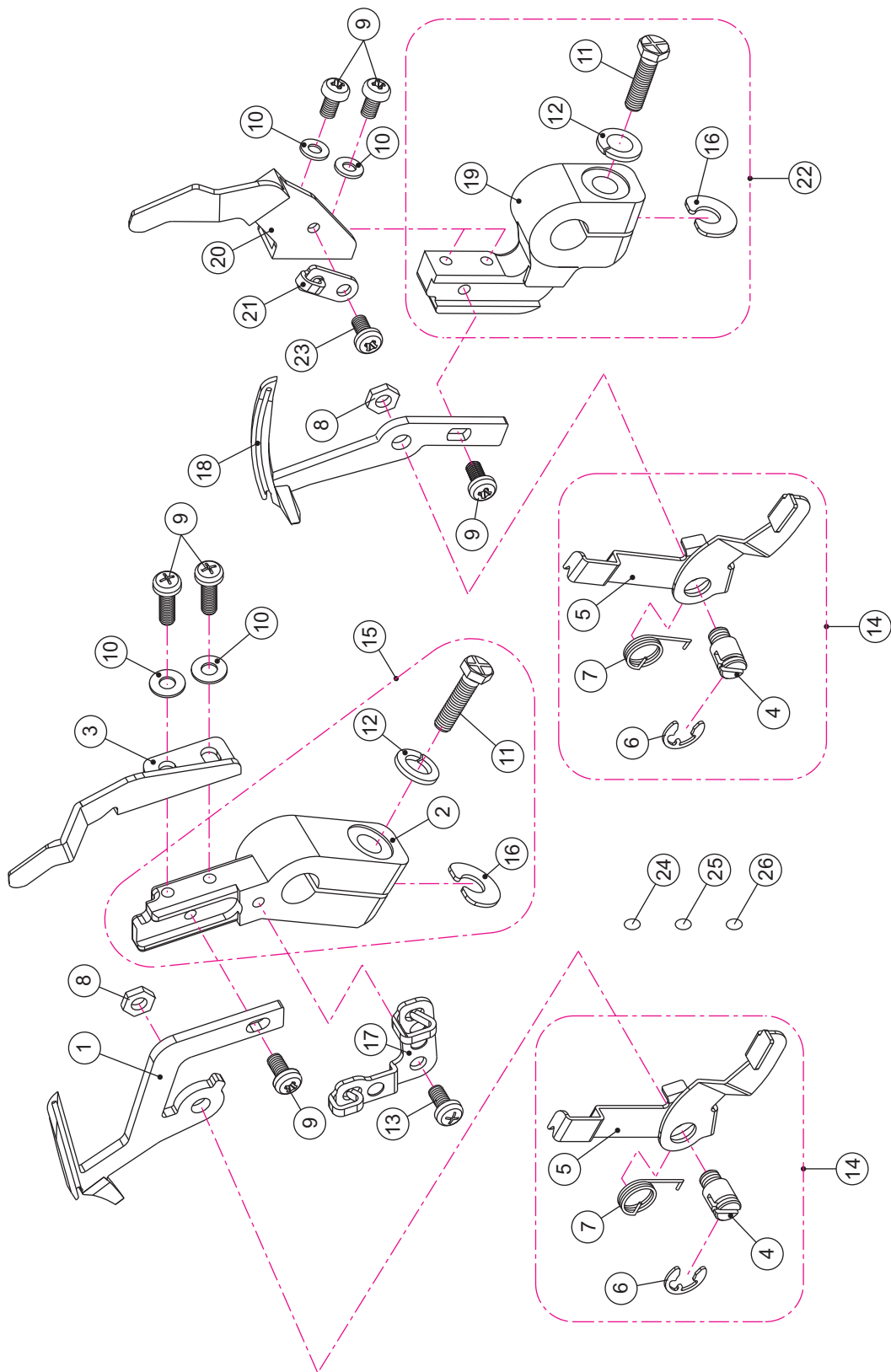


NO.	PART NO.	DESCRIPTION
1	N/S	D.F. SHAFT
2	N/S	D.F. LOCATING COLLAR
3	N/S	D.F. DIAL LOCATING SPRING
4	N/S	D.F. REGULATE CAM
5	N/S	D.F. DIAL BUSHING
6	N/S	D.F. LINK BAR
7	N/S	E RING
8	N/S	SET SCREW
9	N/S	D.F. DIAL SUPPORT
10	416369301	D.F. DIAL
11	416377601	SET SCREW
12	N/S	D.F. REGULATE SHAFT
13	N/S	E RING
14	416369401	D.F. REGULATE SUPPORT
15	416377201	SET SCREW
16	416369501	D.F. SLIDE SUPPORT
17	416369601	D.F. SLIDE BLOCK
18	N/S	FEED DOG HOLDER PIN
19	N/S	SETTING COLLAR
20	N/S	D.F. SLIDE BLOCK PIN
21	N/S	D.F. LINK PIN
22	N/S	SET SCREW
23	416360901	DIAL CUP
24	N/S	SET SCREW
25	N/S	WASHER

# N



NO.	PART NO.	DESCRIPTION
1	416363801	FEED DOG CAM
2	N/S	FEED DOG HOLDER (REAR)
3	416369901	FEED DOG (REAR)
4	N/S	FEED DOG HOLDER (FRONT)
5	416369801	FEED DOG (FRONT)
6	416363901	FEED DOG SUPPORTER SLIDE BLOCK
7	416370001	FEED DOG SUPPORTER (FRONT)
8	416368501	SET SCREW
9	416368401	WASHER
10	N/S	SET SCREW
11	416370101	SET SCREW
12	N/S	FEED DOG HOLDER PIN
13	N/S	FEED DOG SHAKING ROD COMPLETE SET
14	N/S	E RING
15	416369701	SET SCREW
16	N/S	WASHER
17	416377201	SET SCREW
18	416363001	LOOPER SHAFT BUSHING
19	416390701	LOOPER SHAFT BUSHING
20	N/S	SETTING COLLAR
21	N/S	WASHER

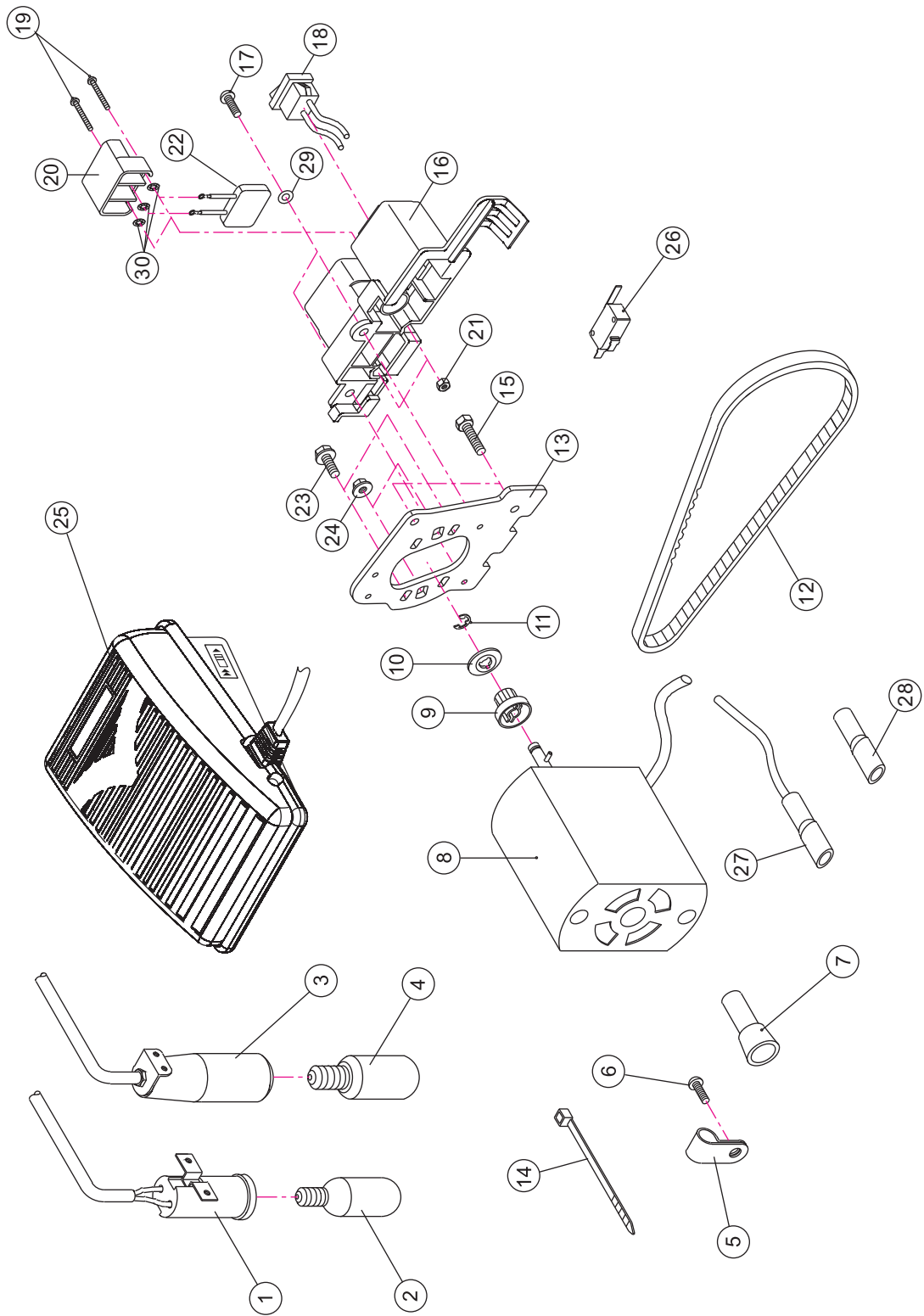






NO.	PART NO.	DESCRIPTION
1	416370201	LOWER LOOPER
2	N/S	LOWER LOOPER SUPPORTER
3	416370401	LOWER LOOPER PROTECT BOARD
4	416370501	AUTO THREADER SHAFT
5	416370601	AUTO THREADER
6	N/S	E RING
7	416370701	AUTO THREADER SPRING
8	416370801	NUT
9	416369701	SET SCREW
10	416368401	WASHER
11	N/S	SET SCREW
12	N/S	SPRING WASHER
13	416377601	SET SCREW
14	416370901	AUTO THREADER COMPLETE SET (NO.4.5.6.7 INCLUDED)
15	416370301	LOWER LOOPER COMPLETE SET(NO.2.11.12.16 INCLUDED)
16	N/S	WASHER
17	416371001	LOWER LOOPER THREAD GUIDE
18	416371101	COVER STITCH LOOPER
19	N/S	COVER STITCH LOOPER SUPPORTER
20	416371201	COVER STITCH LOOPER PROTECT BOARD
21	416371301	COVER STITCH LOOPER THREAD GUIDE
22	416371401	COVER STITCH LOOPER SUPPORTER SET(NO.11.12.16.19 INCLUD-
ED)		
23	N/S	SET SCREW
24	N/S	COLOR STICKER (YELLOW)
25	N/S	COLOR STICKER (RED)
26	N/S	COLOR STICKER (PURPLE)

# P

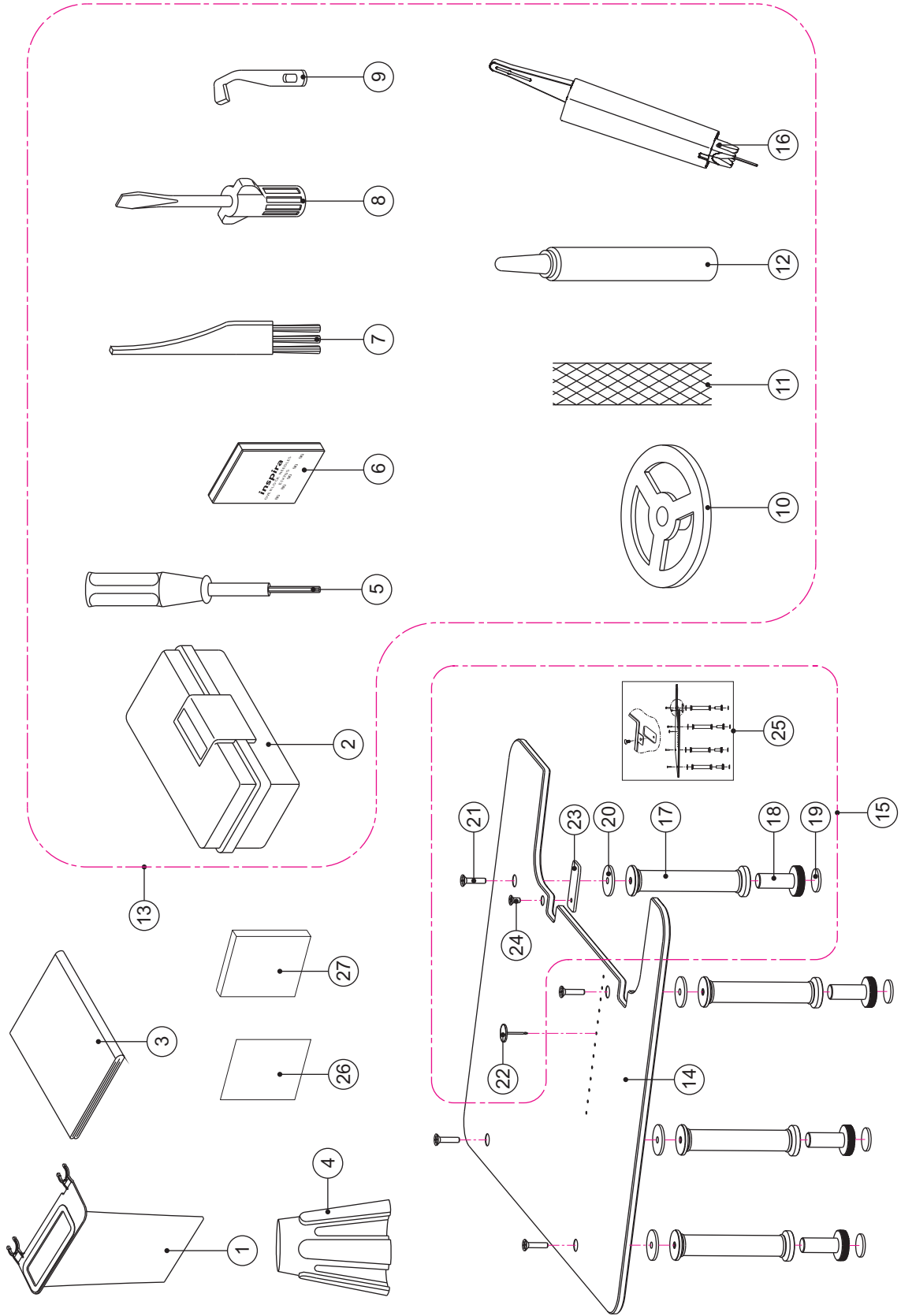


NO.	PART NO.	DESCRIPTION
1	N/S	LIGHTING SET (100V)
1	N/S	LIGHTING SET (120V)
2	N/S	BULB (100V)
2	416299901	BULB (120V)
3	N/S	LIGHTING SET (240V)(AVAILABLE FOR 220V/230V/240V)
4	416300001	BULB (240V) (AVAILABLE FOR 220V/230V/240V)
5	N/S	HW(1/4) CORD CLIP
5	N/S	(HW(5/16) CORD CLIP FOR 120V)
6	N/S	SET SCREW
7	N/S	C4 END TERMINAL
8	N/S	MOTOR (100V)
8	416485801	MOTOR (120V)
8	416371801	MOTOR (220V~230V)
9	416371901	TIMING BELT PULLEY
10	416372001	TIMING BELT PULLEY COVER
11	N/S	E RING
12	416372001	TIMING BELT
13	N/S	MOTOR SUPPORTER
14	N/S	CORD CLIP
15	N/S	SET SCREW
16	416372201	SWITCH SUPPORTER
17	N/S	SET SCREW
18	416372301	POWER LIGHT SWITCH
19	N/S	SET SCREW
20	416372401	MACHINE SOCKET
21	N/S	NUT
22	416372501	CONDENSER
23	N/S	SET SCREW
24	N/S	NUT
25	416372601	FOOT CONTROLLER (230V) EUROPE
25	416372701	FOOT CONTROLLER (240V) AUSTRALIA & NEW ZEALAND
25	416372801	FOOT CONTROLLER (240V) ENGLAND
25	416372901	FOOT CONTROLLER (120V) U.S.A.
26	416373001	MICRO SWITCH
27	N/S	TERMINAL W/TRANSPARENT INSULATION TUBE
28	N/S	TERMINAL W/UN-TRANSPARENT INSULATION TUBE
29	N/S	WASHER
30	N/S	WASHER

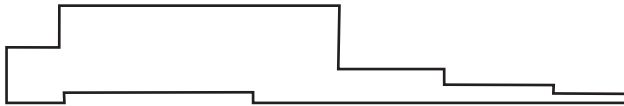
2 N/S BULB (100V)

2

# Q



NO.	PART NO.	DESCRIPTION
1	416383301	WASTE CATCHER
2	416383401	ACCESSORY BOX
3	416383701	DUST COVER
4	416360701	SPOOL HOLDER
5	411668901	ALLEN SCREW DRIVER
6	620079596	INSPIRA NEEDLE ELX705 #80,5 PACK
	620079696	INSPIRA NEEDLE ELX705 #90,5 PACK
7	401555501	CLEANING BRUSH
8	412381501	SCREW DRIVER
9	416364601	UPPER CUTTER
10	416383801	THREAD UNWINDING SPOOL CAPS
11	416383901	ANTI-SPILL NETS
12	N/S	OILER
13	N/S	ACCESSORY BOX SET (NO.2.5.6.7.8.9.10.11.12.16 INCLUDED)
14	416384201	PFAFF EXTENSION TABLE SET (NO.14.26.27 INCLUDED)
15	416384001	EXTENSION TABLE ACCESSORIES SET (NO.17.18.19.20.21.22.23.24.25 INCLUDED)
16	416384101	NEEDLE THREADER
17	N/S	EXTENSION TABLE LEG
18	N/S	EXTENSION TABLE LEG SCREW
19	N/S	BUBBER (UP)
20	N/S	BUBBER (BOTTOM)
21	N/S	SET SCREW
22	N/S	GUIDE PIN
23	N/S	METAL GUIDE HOLDER
24	N/S	SET SCREW
25	N/S	EXTENSION TABLE ASSEMBLY ILLU.
26	N/S	BAG
27	N/S	EXTENSION TABLE CARTON



416 38 44-01

SETTING GAUGE