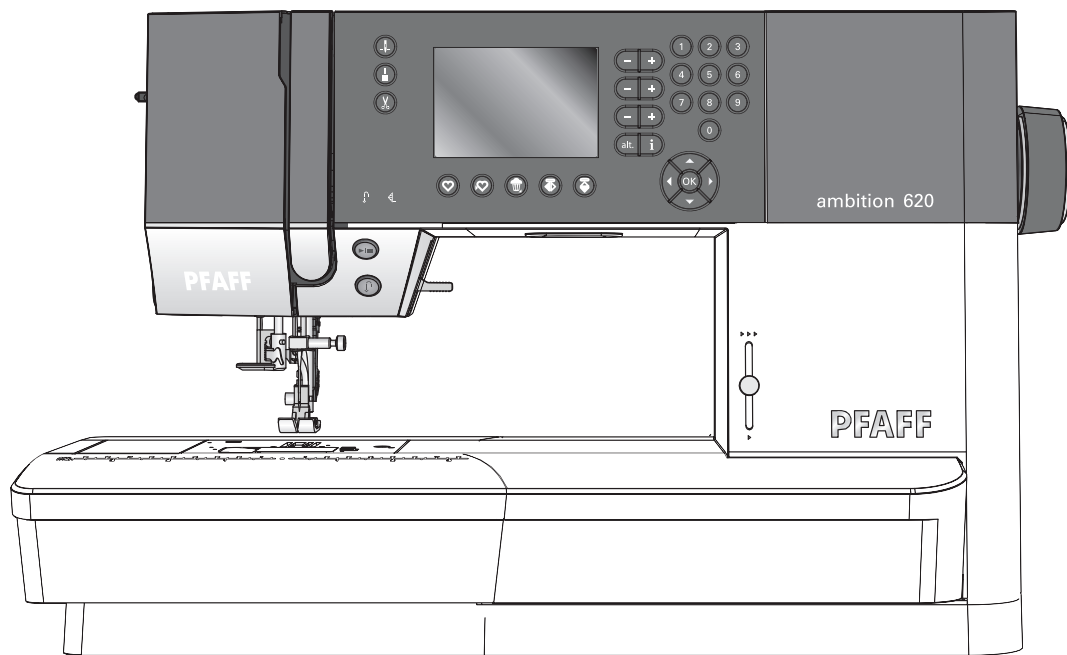


# PFAFF®

## Ambition 620

**Ersatzteile-Listt**  
**List of spare parts**  
**Liste des pièces détachées**  
**Catalogo pezzi staccati**  
**Lista de piezas de repuesto**





Please note that on disposal, this product must be safely recycled in accordance with relevant National legislation relating to electrical/electronic products. If in doubt please contact your retailer for guidance.



Bitte beachten Sie, dass hinsichtlich der Entsorgung dieses Produkts, vorschriftsmäßig entsprechend der gültigen nationalen Gesetzgebung für elektrische/elektronische Produkte, recycelt werden muss. Bei Zweifel setzen Sie sich bitte mit Ihrem Fachhändler in Verbindung.



Veillez noter qu'en cas de destruction, ce produit doit bénéficier d'un recyclage sécurisé, conforme à la législation nationale applicable aux produits électriques/électroniques. En cas de doute, veuillez contacter votre distributeur agréé.

- All casted parts within our products are marked with name of material if allowed by size.
- All molded plastic parts within our products are marked with name of material if allowed by size.

Nicht nummerierte Teile im Katalog werden nicht geliefert.

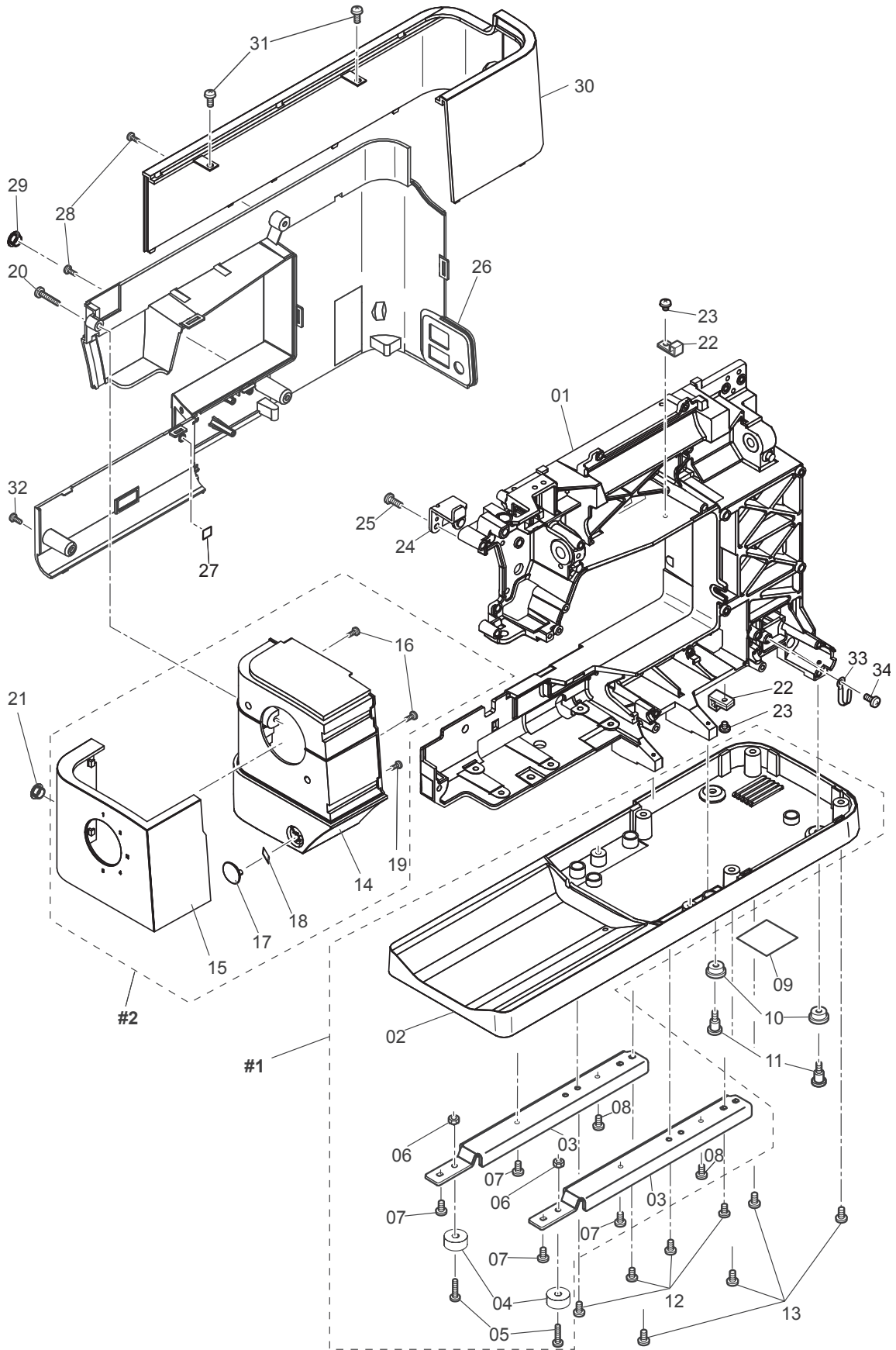
The parts mentioned without number in the parts list are not available.

Les pièces qui ne sont pas numérotées dans la liste de pièces détachées ne peuvent être livrées.

Pezzi non catalogati non sono disponibili.

Las piezas de repuesto sin número en esta lista no se entregarán.

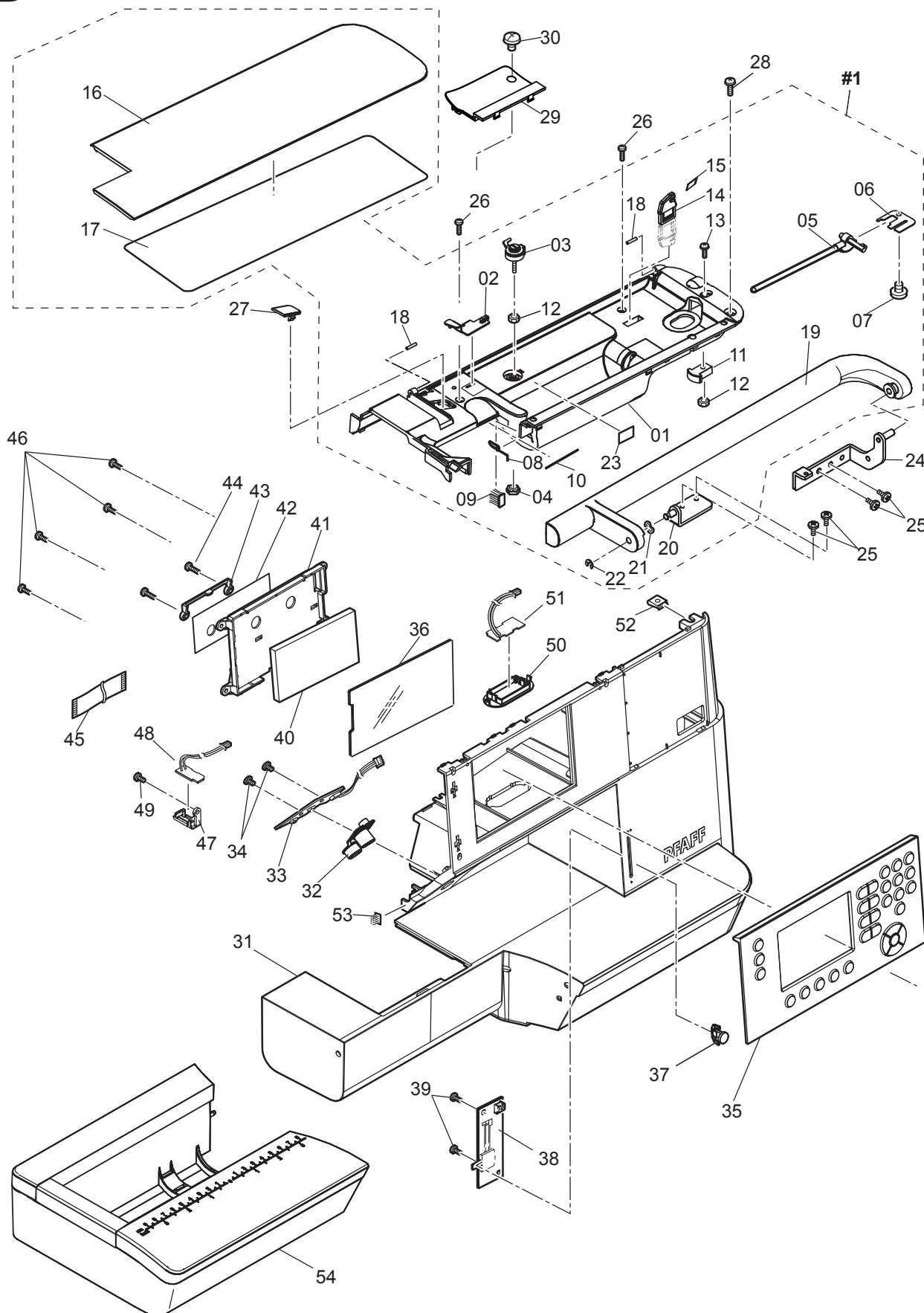
# A



---

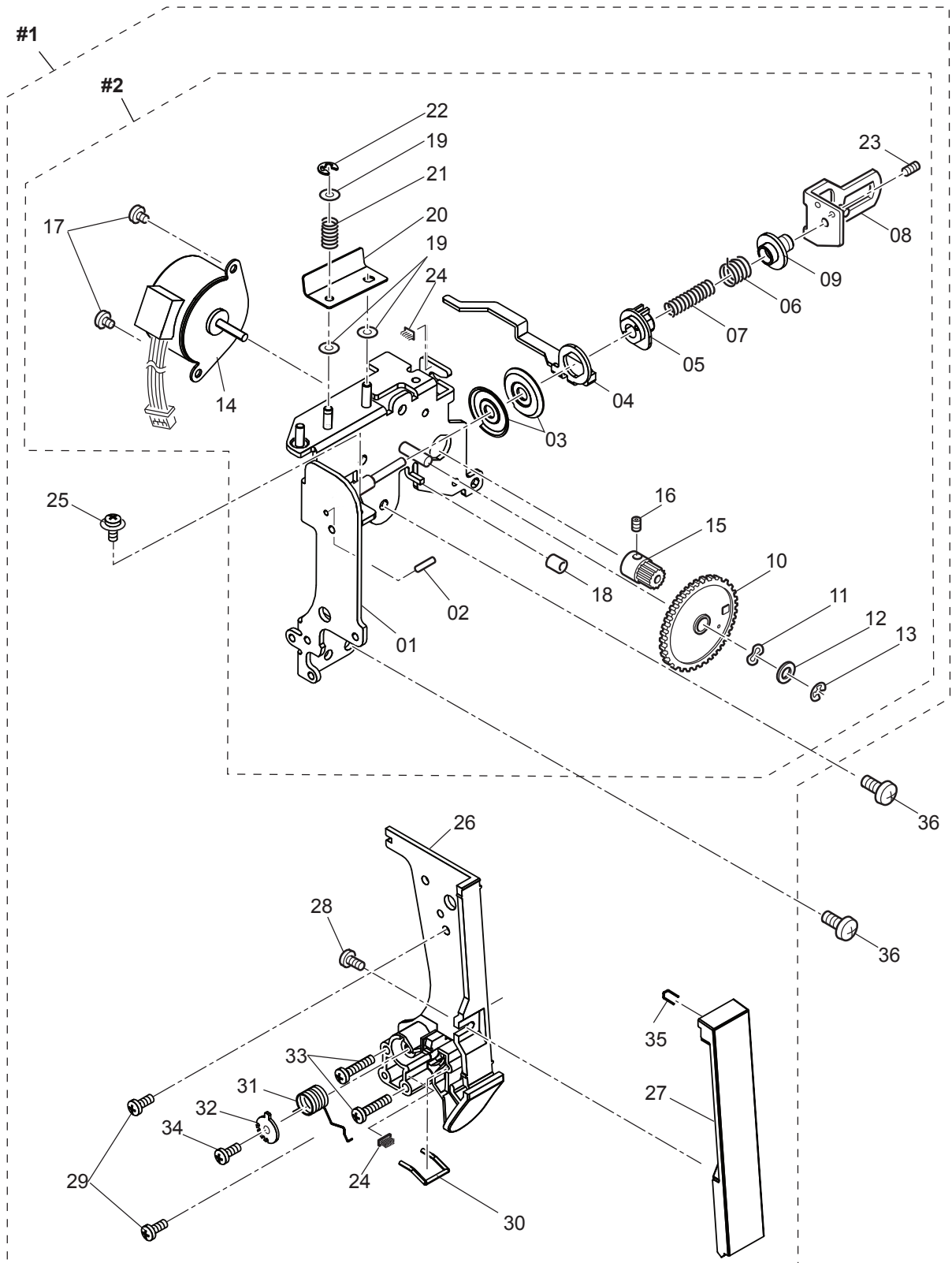
| No. | Part No.    | Description                 |
|-----|-------------|-----------------------------|
| #1  | 68011508    | Base Assy.                  |
| #2  | 68011509    | Face Plate Assy.            |
| 1   | 68001166    | Machine Frame               |
| 2   | 68024852    | Base Cover                  |
| 3   | 68001179    | Base Supporting Plate       |
| 4   | 68000157    | Rubber Foot (B)             |
| 5   | 68001184    | Rubber Foot Adjusting Screw |
| 6   | 68001187    | Adjustable Lock Nut         |
| 7   | 68001188    | Set Screw PT M4*8           |
| 8   | 68001191    | Set Screw M4*8              |
| 9   | 68024854    | Electrical Rating Label     |
| 10  | 68001194    | Rubber Foot                 |
| 11  | 68001196    | Set Screw M4*15             |
| 12  | 68001191    | Set Screw M4*8              |
| 13  | 68001198    | Set Screw PT M4*10          |
| 14  | 68001203    | Face Plate                  |
| 15  | 68024855    | Face Plate Panel            |
| 16  | 68001207    | Set Screw PT M3*6           |
| 17  | 68001208    | Thread Cutter Cover         |
| 18  | 412423701   | Thread Cutter               |
| 19  | 68001214    | Set Screw PT M2.6*5         |
| 20  | 68001220    | Set Screw M4*20             |
| 21  | 68013971    | Screw Cap                   |
| 22  | 68001228    | Cord Holder                 |
| 23  | 68001701    | Set Screw M4*4              |
| 24  | 68001229    | Face Plate Holding Plate    |
| 25  | 68001230    | Set Screw M4*12             |
| 26  | 68013504    | Rear Cover                  |
| 27  | 68024856    | Rubber Seat                 |
| 28  | 270 HP90810 | Set Screw M4*8              |
| 29  | 68001303    | Screw Cap                   |
| 30  | 68011510    | Front And Rear Cover Panel  |
| 31  | 68001466    | Set Screw M4*6              |
| 32  | 68001310    | Set Screw PT M4*12          |
| 33  | 68001780    | Coating Clip                |
| 34  | 68001191    | Set Screw M4*8              |

# B



| No. | Part No.    | Description                       |
|-----|-------------|-----------------------------------|
| #1  | 68011530    | Unit Cover Assy.                  |
| 1   | 68001539    | Unit Cover                        |
| 2   | 68001540    | Thread Guide                      |
| 3   | 68013505    | Thread Guide Assy.                |
| 4   | 68001544    | Adjustable Lock Nut               |
| 5   | 68001545    | Spool Pin                         |
| 6   | 68001546    | Spool Pin Support Spring          |
| 7   | 68001547    | Set Screw PT M3*5                 |
| 8   | 68001549    | Thread Guide Wire                 |
| 9   | 416709501   | Brush                             |
| 10  | 68001550    | Bobbin Winder Guide Wire          |
| 11  | 68001551    | Bobbin Winder Stop                |
| 12  | 68002533    | Nut                               |
| 13  | 68001553    | Set Screw M3*8                    |
| 14  | 68001554    | Bobbin Winder Thread Cutter Cover |
| 15  | 412423701   | Thread Cutter                     |
| 16  | 68001555    | Flap                              |
| 17  | 68011535    | Pattern Chart                     |
| 18  | 68001557    | Pin                               |
| 19  | 68011539    | Handle                            |
| 20  | 68001317    | Handle Hinge (Left) Assy.         |
| 21  | 416402701   | Wave Washer                       |
| 22  | 416402801   | Snap Ring                         |
| 23  | 68002628    | Thread Spool Sticker              |
| 24  | 68001321    | Handle Hinge (Right) Assy.        |
| 25  | 68001191    | Set Screw M4*8                    |
| 26  | 68001558    | Set Screw M3*10                   |
| 27  | 270 HP33067 | Hinge Cover                       |
| 28  | 416402401   | Set Screw M4*14                   |
| 29  | 68001562    | Thread Tension Cover              |
| 30  | 68001563    | Set Screw M3*5                    |
| 31  | 68024859    | Front Cover                       |
| 32  | 68001566    | Start/Stop Key-top                |
| 33  | 68001567    | Switch Board Assy.                |
| 34  | 68001207    | Set Screw PT M3*6                 |
| 35  | 68024862    | Silicon Rubber Key-top Set        |
| 36  | 68011541    | LCD Cover                         |
| 37  | 68001570    | Speed Key-top                     |
| 38  | 68001571    | Speed Control Board Assy.         |
| 39  | 68001207    | Set Screw PT M3*6                 |
| 40  | 68011544    | LCD                               |
| 41  | 68024865    | LCD Cover                         |
| 42  | 68024868    | Relay Board Assy.                 |
| 43  | 68024869    | Relay Board Assy Holding Collar   |
| 44  | 68013524    | PT Binding Screw M3*10            |
| 45  | 68001574    | Relay Board FFC                   |
| 46  | 68001288    | PT Binding Screw M3*8             |
| 47  | 68013525    | LED Light Cover (D)               |
| 48  | 68011546    | LED Board Assy.(A)                |
| 49  | 68001207    | Set Screw PT M3*6                 |
| 50  | 68001577    | LED Light Cover (B)               |
| 51  | 68011555    | LED Board Assy.(B)                |
| 52  | 68001579    | Speed Nut                         |
| 53  | 68001720    | Brush                             |
| 54  | 68001581    | Accessory Box Cpl                 |

# C

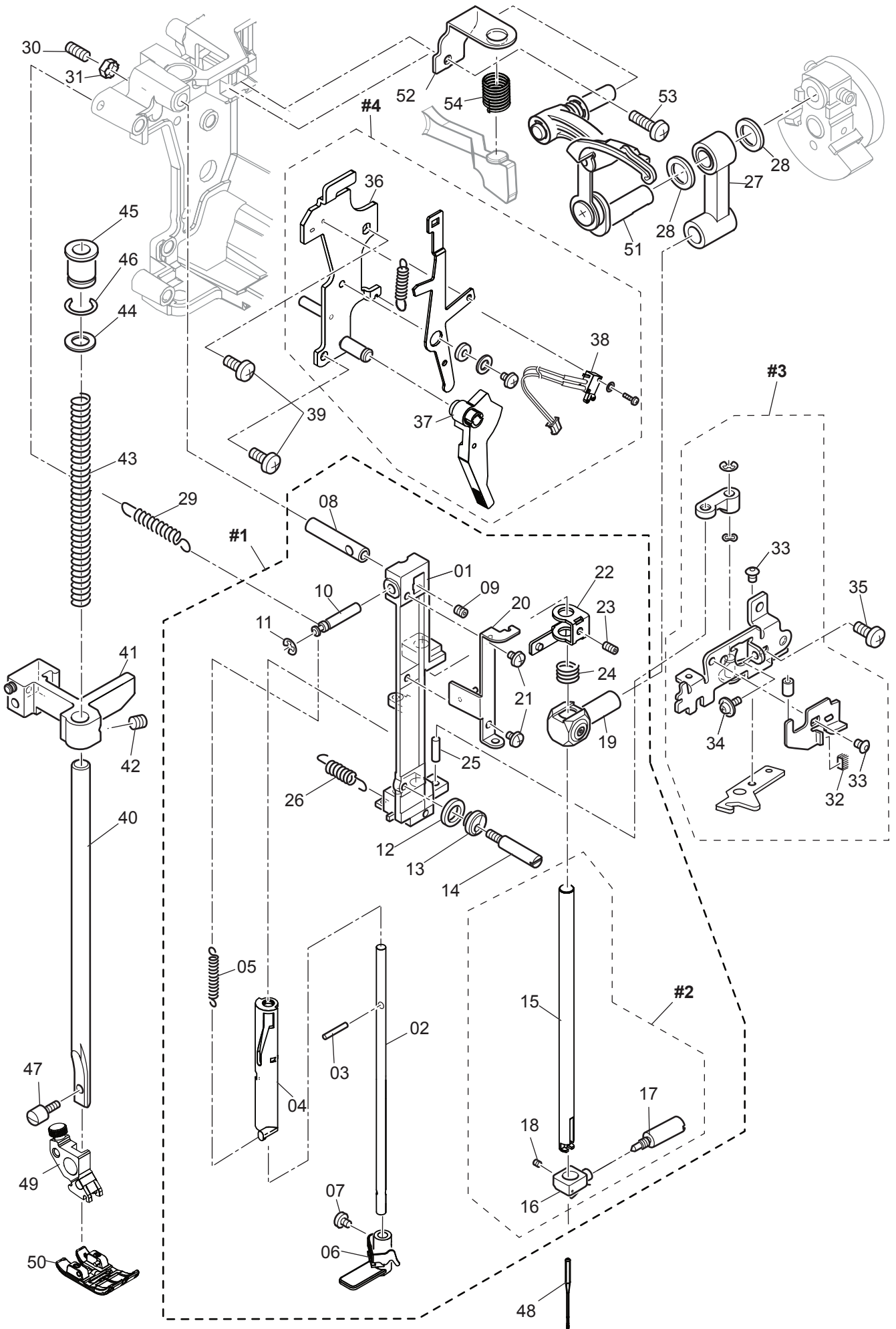




---

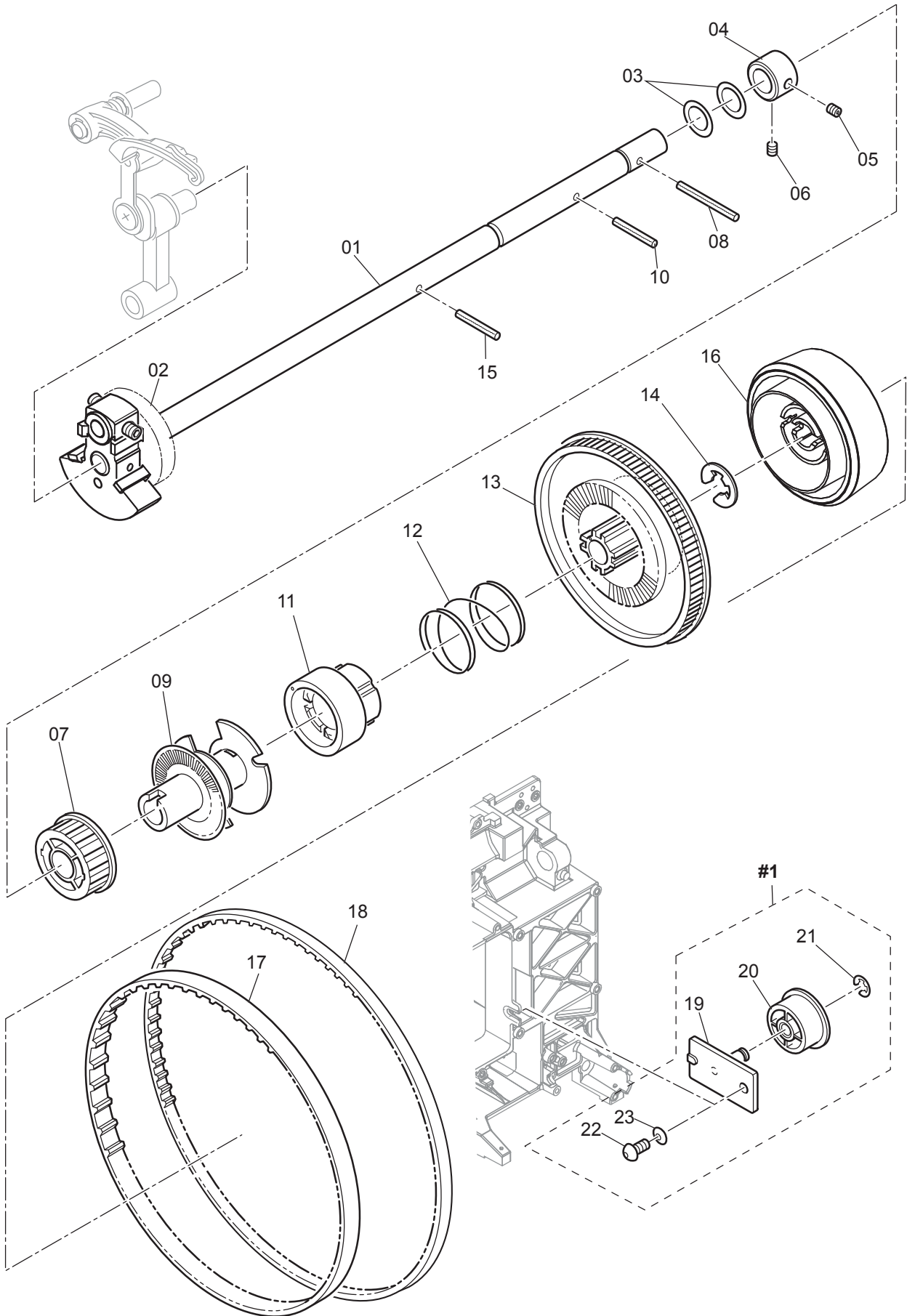
| No. | Part No.  | Description                      |
|-----|-----------|----------------------------------|
| #1  | 68011557  | Thread Tension Ragulator Unit    |
| #2  | 68001583  | Thread Tension Assy.             |
| 1   | 68001584  | Thread Tension Base Assy.        |
| 2   | 68001585  | Spring Pin                       |
| 3   | 68001586  | Thread Tension Disc              |
| 4   | 68001587  | Thread Tension Releasing Plate   |
| 5   | 68001588  | Tension Collar                   |
| 6   | 416395701 | Thread Tension Spring            |
| 7   | 416395601 | Thread Tension Sub-spring        |
| 8   | 416788401 | Thread Tension Plate Assy.       |
| 9   | 68001589  | Tension Regulating Screw         |
| 10  | 416395801 | Thread Tension Cam               |
| 11  | 68001590  | Wave Washer                      |
| 12  | 68001591  | Washer                           |
| 13  | 68001592  | Snap Ring                        |
| 14  | 416395901 | Tension Release Pulse Motor      |
| 15  | 68001594  | Pulse Motor Gear                 |
| 16  | 68001597  | Set Screw M3*3                   |
| 17  | 68001598  | Set Screw M3*3                   |
| 18  | 416709201 | Rubber Cushion                   |
| 19  | 68001599  | Polyslider                       |
| 20  | 68001600  | Pre-Tension Plate                |
| 21  | 68001601  | Pre-Tension Spring               |
| 22  | 68001286  | Snap Ring                        |
| 23  | 68001602  | Set Screw M3*6                   |
| 24  | 416709501 | Brush                            |
| 25  | 68001603  | Set Screw M3*6                   |
| 26  | 68001604  | Thread Take-Up Lever Cover       |
| 27  | 68013526  | Thread Take-Up Lever Cover Panel |
| 28  | 68001207  | Set Screw PT M3*6                |
| 29  | 68001606  | Set Screw M3*5                   |
| 30  | 416396001 | Thread Guide                     |
| 31  | 416396101 | Thread Check Spring              |
| 32  | 68001607  | Check Spring Adjust Plate        |
| 33  | 68001608  | Set Screw M3*14                  |
| 34  | 68001547  | Set Screw PT M3*5                |
| 35  | 68001657  | Thread Take-Up Lever Spool Wire  |
| 36  | 68001191  | Set Screw M4*8                   |

# D



| No. | Part No.    | Description                          |
|-----|-------------|--------------------------------------|
| #1  | 68001661    | Needle Bar Guide Assy.               |
| #2  | 68001686    | Needle Bar Assy.                     |
| #3  | 68001710    | Z Link Bracket Unit                  |
| #4  | 68011262    | Presser Foot Lifter Bracket Unit     |
| 1   | 68002780    | Needle Bar Guide                     |
| 2   | 68002487    | Threader Bar                         |
| 3   | 68002491    | Spring Pin                           |
| 4   | 68001675    | Threader Guide                       |
| 5   | 68001676    | Threader Holder Spring               |
| 6   | 68001677    | Threader Hook Assy.                  |
| 7   | 68001678    | Threader Hook Screw                  |
| 8   | 68001679    | Needle Bar Guide Fulcrum Shaft (A)   |
| 9   | 68001681    | Set Screw M4*4                       |
| 10  | 68001682    | Needle Bar Guide Fulcrum Shaft (B)   |
| 11  | 68001684    | Snap Ring                            |
| 12  | 68002494    | Z Cam Follower                       |
| 13  | 68002495    | Needle Point Adjust Collar           |
| 14  | 416709801   | Needle Point Limiting Shaft          |
| 15  | 68002496    | Needle Bar                           |
| 16  | 68002629    | Needle Clamp Assy.                   |
| 17  | 68002630    | Needle Clamp Screw                   |
| 18  | 270 HP32430 | Set Screw M2.5*2.5                   |
| 19  | 68001697    | Needle Bar Clamp Assy.               |
| 20  | 68001698    | Threader Guide Pin Assy.             |
| 21  | 68001563    | Set Screw M3*5                       |
| 22  | 68001699    | Threader Bar Stopper Assy.           |
| 23  | 68001703    | Set Screw M3*6                       |
| 24  | 416709901   | Needle Bar Clamp Spring              |
| 25  | 68001704    | Z Link Shaft                         |
| 26  | 68001705    | Z Guide Spring                       |
| 27  | 68001706    | Needle Bar Crank Rod Assy.           |
| 28  | 68001707    | Washer                               |
| 29  | 68001708    | Spring for Needle Bar Guide Assy.    |
| 30  | 68001709    | Set Screw M4*10                      |
| 31  | 68001187    | Adjustable Lock Nut                  |
| 32  | 68001720    | Brush                                |
| 33  | 416710301   | Set Screw M3*4                       |
| 34  | 68001603    | Set Screw M3*6                       |
| 35  | 68001191    | Set Screw M4*8                       |
| 36  | 68018415    | Presser Foot Lifter Bracket Assy.    |
| 37  | 68001725    | Presser Foot Lifter                  |
| 38  | 68001730    | Presser Foot Switch Assy.            |
| 39  | 68001191    | Set Screw M4*8                       |
| 40  | 68001733    | Presser Bar                          |
| 41  | 68011265    | Presser Bar Guide Bracket Assy.      |
| 42  | 68001735    | Set Screw M5*5                       |
| 43  | 68001736    | Presser Bar Spring                   |
| 44  | 416786901   | Washer                               |
| 45  | 68001737    | Presser Bar Bush                     |
| 46  | 68001738    | Snap Ring                            |
| 47  | 68002497    | Presser Foot Screw                   |
| 48  |             | Needle                               |
| 49  | 68005972    | Presser Foot Holder                  |
| 50  | 820773096   | Standard Foot                        |
| 51  | 68001743    | Thread Take-Up Lever Assy.           |
| 52  | 68018416    | Take-Up Lever Base Pin Plate         |
| 53  | 416402401   | Set Screw M4*14                      |
| 54  | 68001498    | Dual Feed Up/Down Cam Presser Spring |

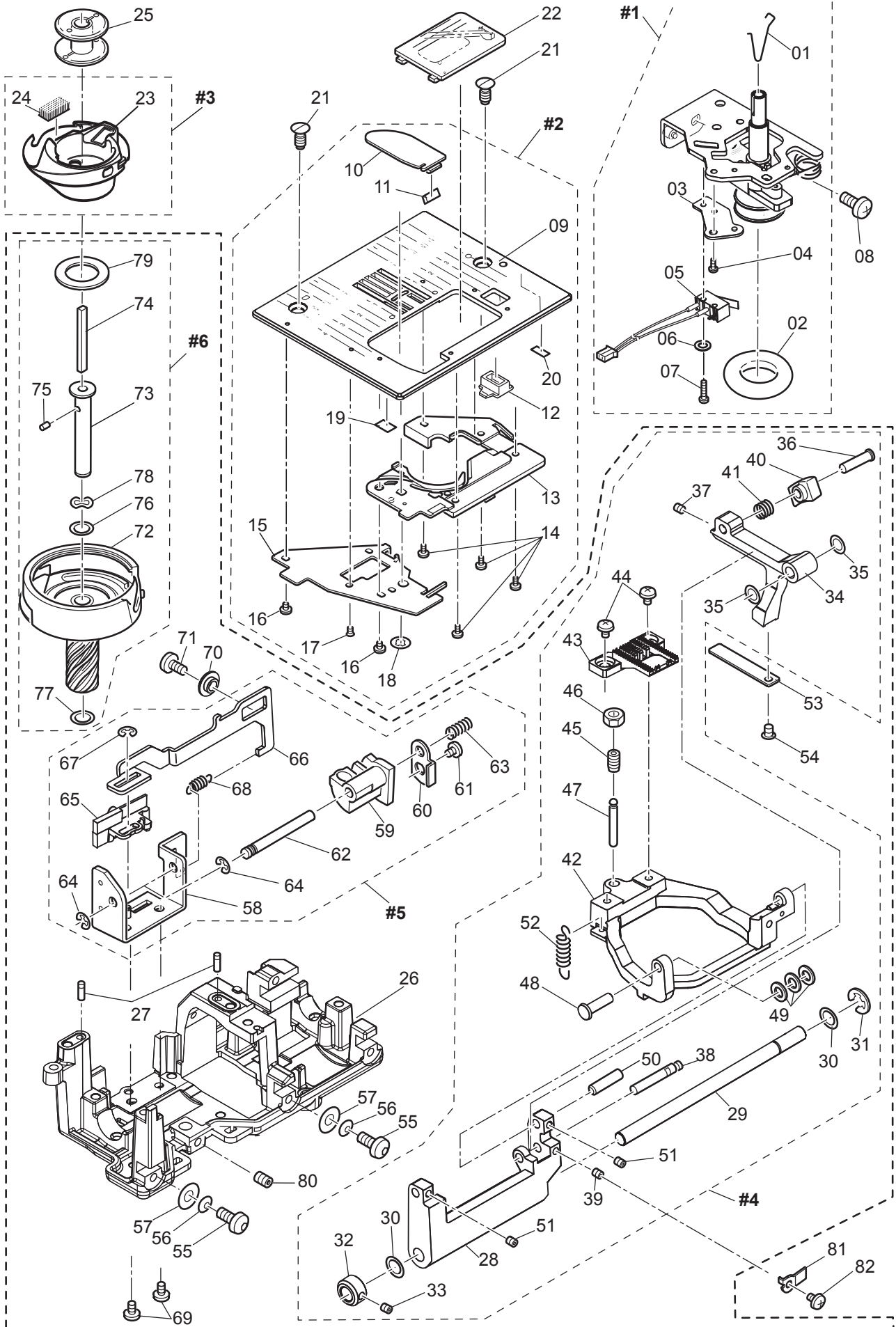
# E



---

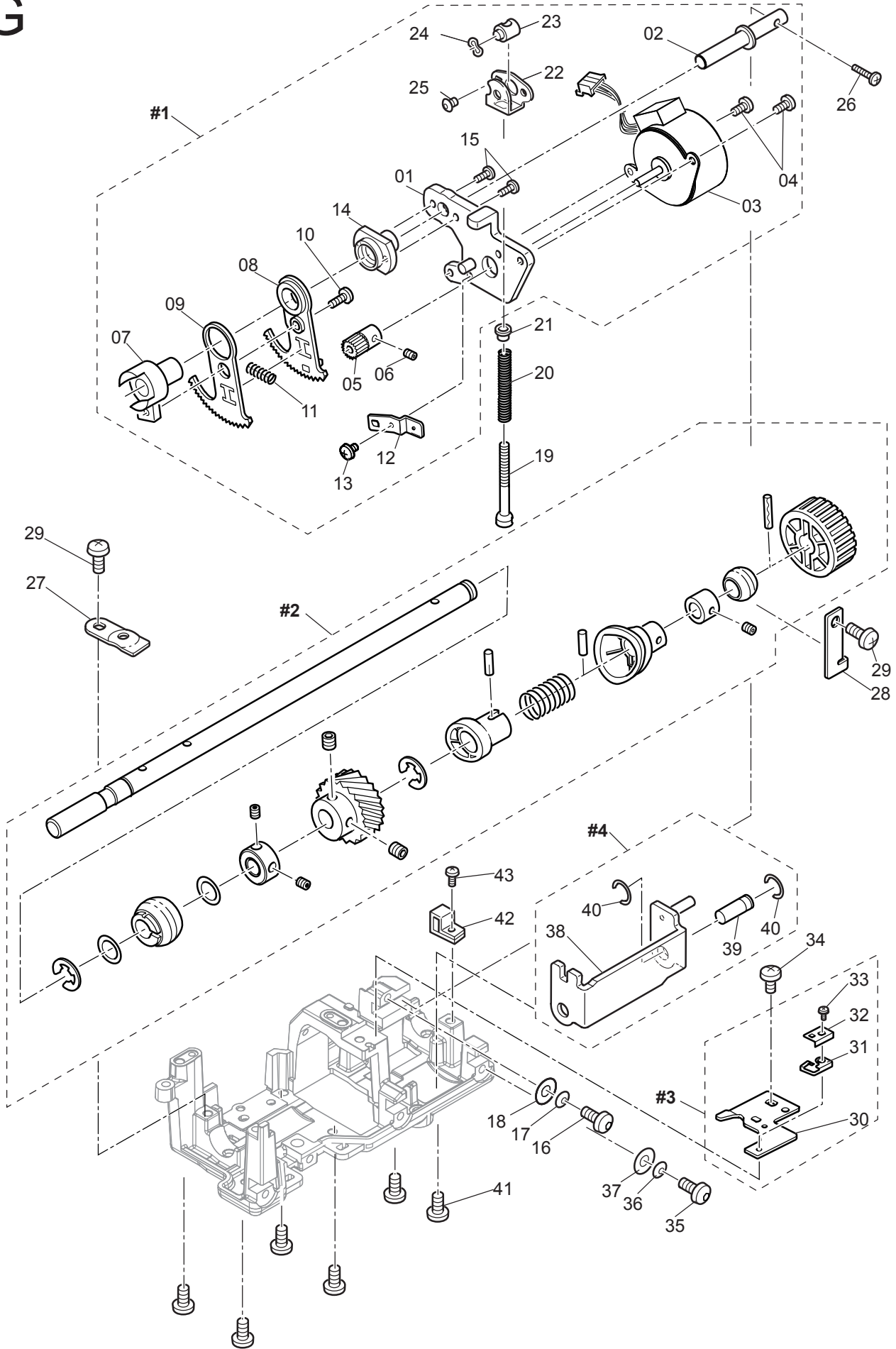
| No. | Part No.    | Description                |
|-----|-------------|----------------------------|
| #1  | 68001341    | Belt Tension Assy.         |
| 1   | 68000145    | Upper Shaft Assy.          |
| 2   | 68018417    | Dual Feed Up/Down Cam      |
| 3   | 68000148    | Polyslider                 |
| 4   | 68000151    | Upper Shaft Collar         |
| 5   | 68000153    | Set Screw M4*4             |
| 6   | 68001681    | Set Screw M4*4             |
| 7   | 68001199    | Upper Shaft Timing Pulley  |
| 8   | 416400401   | Spring Pin                 |
| 9   | 68001234    | STS Slit                   |
| 10  | 68001326    | Spring Pin                 |
| 11  | 68001328    | Clutch Change Collar       |
| 12  | 68001331    | Clutch Change Spring       |
| 13  | 68001333    | Belt Wheel                 |
| 14  | 270 HP30045 | Snap Ring                  |
| 15  | 416400501   | Spring Pin                 |
| 16  | 68011559    | Hand Wheel                 |
| 17  | 416400301   | Timing Belt (Upper Shaft)  |
| 18  | 68001340    | Timing Belt (Motor)        |
| 19  | 68001342    | Belt Tension Bracket Assy. |
| 20  | 68001344    | Tension Pulley             |
| 21  | 416402801   | Snap Ring                  |
| 22  | 68002633    | Set Screw M4*8             |
| 23  | 68002631    | Spring Washer              |

F



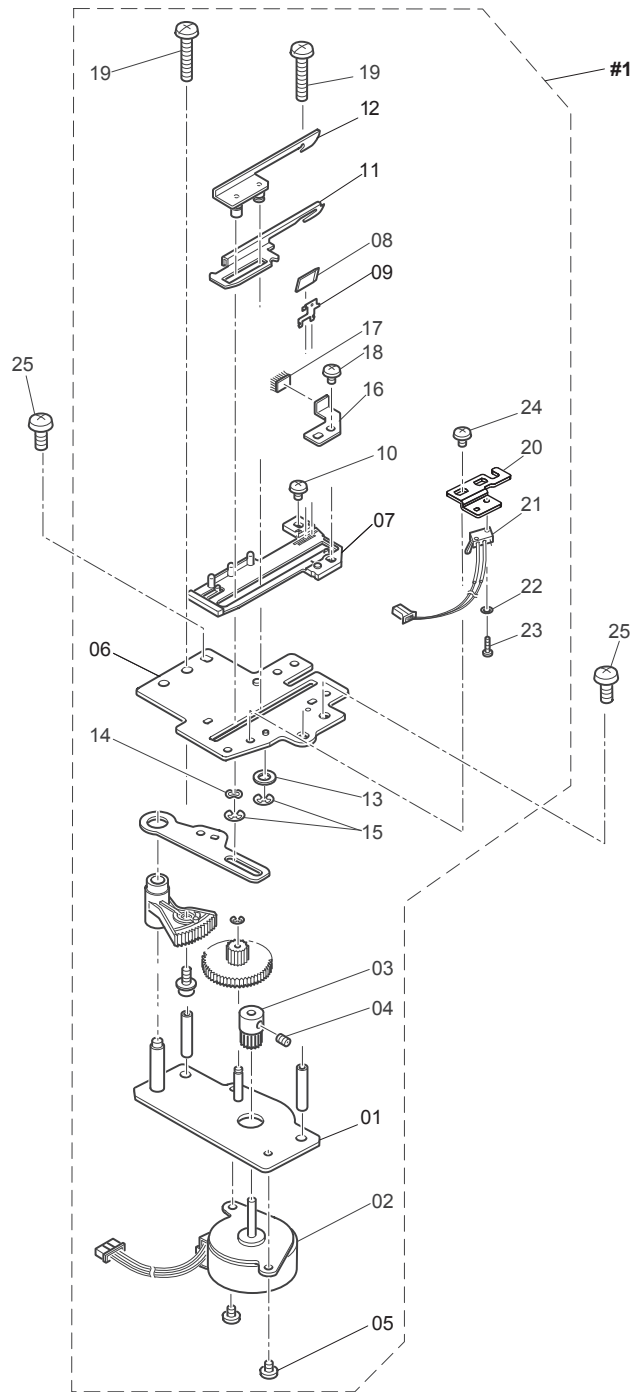
| No. | Part No.  | Description                             |                |   |
|-----|-----------|---|----------------|---|
| #1  | 68001347  | Bobbin Winder Assy.                     |                |   |
| #2  | 68011271  | Needle Plate Assy.                      |                |   |
| #3  | 68002958  | Bobbin Holder Unit                      |                |   |
| #4  | 68001393  | Feed Assy.                              |                |   |
| #5  | 68001452  | Feed Rocking Assy.                      |                |   |
| #6  | 68001467  | Hook Race Unit                          |                |   |
| 1   | 68001349  | Bobbin Winder Shaft Spring              |                |   |
| 2   | 68011273  | Rubber Ring                             |                |   |
| 3   | 68001352  | Bobbin Winder Switch Bracket            |                |   |
| 4   | 416710101 | Set Screw M2.5*4                        |                |   |
| 5   | 68001355  | Bobbin Winder Switch Assy.              |                |   |
| 6   | 68001356  | Washer                                  |                |   |
| 7   | 68001357  | Set Screw M2*8                          |                |   |
| 8   | 68001191  | Set Screw M4*8                          |                |   |
| 9   | 68001361  | Needle Plate                            |                |   |
| 10  | 416789201 | Thread Guide Plate                      |                |   |
| 11  | 412423701 | Thread Cutter                           |                |   |
| 12  | 68001364  | Slide Lever                             |                |   |
| 13  | 416789301 | Bobbin Cover Plate Holder               |                |   |
| 14  | 68001366  | Set Screw M2*3                          |                |   |
| 15  | 68013449  | Bobbin Holder Stabilize Plate           | 63 68002855    | Feed Rocking Cam Follower Spring        |
| 16  | 68001379  | Set Screw M2*2                          | 64 68001592    | Snap Ring                               |
| 17  | 416789701 | Set Screw M2*2.8                        | 65 68001454    | Drop Feed Lever                         |
| 18  | 416787101 | Push Nut                                | 66 68001462    | Drop Feed Lever Link                    |
| 19  | 68001381  | Rubber Sheet                            | 67 68001286    | Snap Ring                               |
| 20  | 416710801 | Rubber Sheet                            | 68 68002867    | Threader Holder Spring                  |
| 21  | 68001384  | Set Screw M4*8.5                        | 69 68001464    | Set Screw                               |
| 22  | 68011275  | Bobbin Cover Plate                      | 70 68001465    | Collar                                  |
| 23  | 68002499  | Bobbin Holder Assy.                     | 71 68001466    | Set Screw M4*6                          |
| 24  | 68013450  | Brush                                   | 72 270 HP30113 | Hook Race Assy.                         |
| 25  | 68001389  | Bobbin                                  | 73 68002869    | Hook Race Shaft                         |
| 26  | 68013536  | Bed Unit Base                           | 74 68013455    | Oil Wick (1)                            |
| 27  | 68002501  | Position Pin for Needle Plate           | 75 68001472    | Oil Wick (2)                            |
| 28  | 68001397  | Feed Shaft Guide                        | 76 68001474    | Polyslider                              |
| 29  | 68001398  | Feed Shaft                              | 77 68001475    | Polyslider                              |
| 30  | 68001399  | Polyslider                              | 78 68001856    | Wave Washer                             |
| 31  | 68001400  | Snap Ring                               | 79 68001483    | Magnet                                  |
| 32  | 68013468  | Feed Shaft Collar                       | 80 68000153    | Set Screw M4*4                          |
| 33  | 68001597  | Set Screw M3*3                          | 81 68018424    | Dual Feed Lower Shaft Arm Holding Plate |
| 34  | 68018418  | Feed Cam Follower                       | 82 68001598    | Set Screw M3*3                          |
| 35  | 68013481  | Polyslider                              |                |   |
| 36  | 68001408  | Feed Slide Block Fulcrum Shaft          |                |   |
| 37  | 68001597  | Set Screw M3*3                          |                |   |
| 38  | 68018421  | Feed Cam Follower Fulcrum Shaft         |                |   |
| 39  | 68001597  | Set Screw M3*3                          |                |   |
| 40  | 68010957  | Feed Slide Block                        |                |   |
| 41  | 68010955  | Feed Slide Block Spring                 |                |   |
| 42  | 68001426  | Feed Base                               |                |   |
| 43  | 68002542  | Feed Dog                                |                |   |
| 44  | 68001606  | Set Screw M3*5                          |                |   |
| 45  | 416401301 | Set Screw                               |                |   |
| 46  | 416401401 | Adjustable Nut                          |                |   |
| 47  | 416401201 | Feed Rocking Connecting Rod             |                |   |
| 48  | 68001447  | Feed Base Fulcrum Shaft (Left)          |                |   |
| 49  | 68001591  | Washer                                  |                |   |
| 50  | 68018422  | Feed Base Fulcrum Shaft (Right)         |                |   |
| 51  | 68001597  | Set Screw M3*3                          |                |   |
| 52  | 68001449  | Feed Rocking Cam Follower Spring        |                |   |
| 53  | 68018423  | Feed Cam Follower Spring                |                |   |
| 54  | 416710301 | Button Head Screw M3*4                  |                |   |
| 55  | 68002633  | Set Screw M4*8                          |                |   |
| 56  | 68002631  | Spring Washer                           |                |   |
| 57  | 68002634  | Washer                                  |                |   |
| 58  | 68002854  | Feed Rocking Cam Follower Bracket Assy. |                |   |
| 59  | 416711401 | Feed Rocking Cam Follower               |                |   |
| 60  | 416711501 | Feed Rocking Cam Follower Plate         |                |   |
| 61  | 68001547  | Set Screw PT M3*5                       |                |   |
| 62  | 416711601 | Feed Rocking Cam Follower Shaft         |                |   |

# G



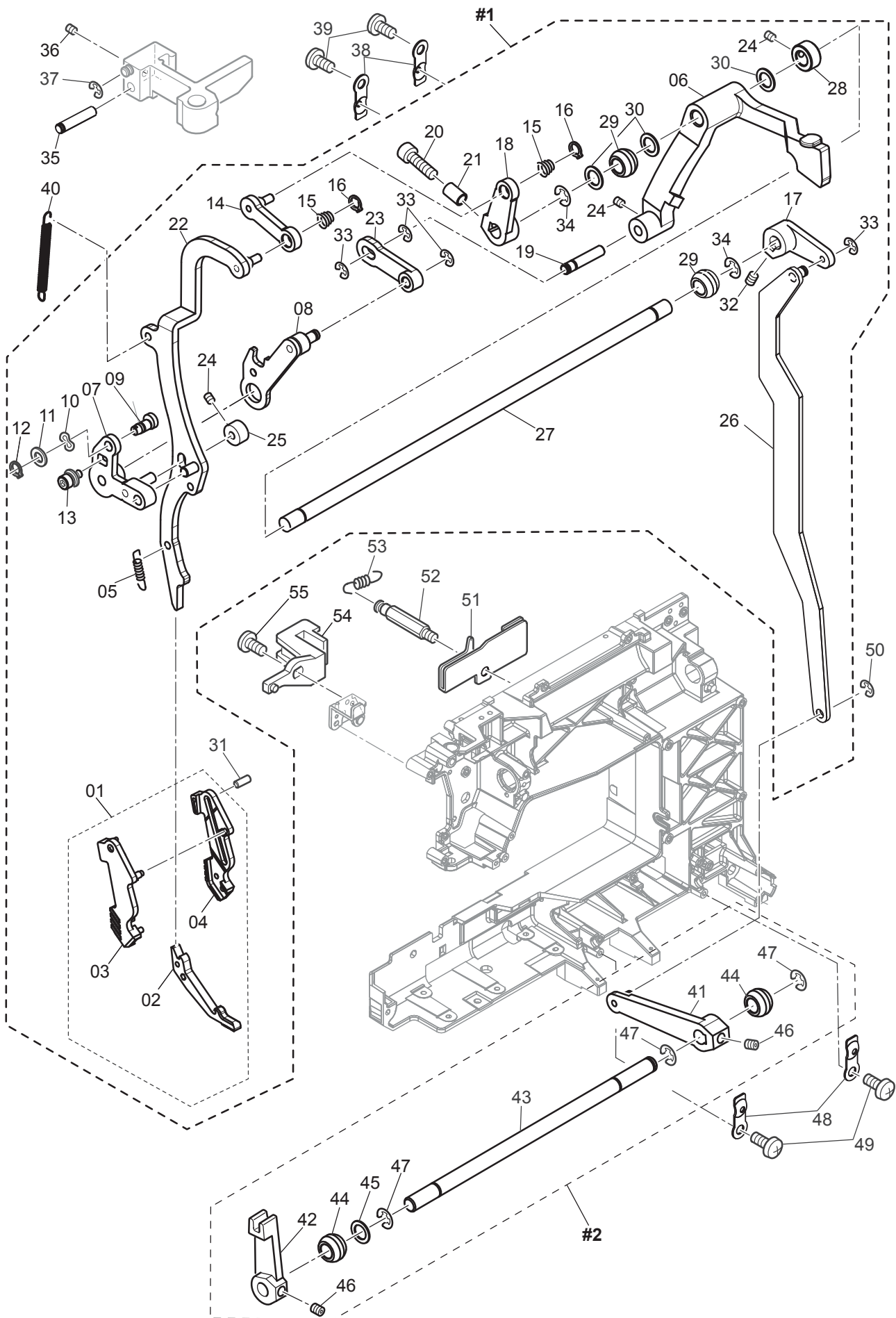


| No. | Part No.  | Description  |
|-----|-----------|--|
| #1  | 68001499  | F Pulse Motor Assy.                                |
| #2  | 68001527  | Lower Shaft Assy.                                  |
| #3  | 68001659  | Bobbin Holder Stopper Assy.                        |
| #4  | 68018425  | Dual Feed Lower Shaft Arm Unit                     |
| 1   | 68013485  | F Pulse Motor Bracket Assy.                        |
| 2   | 68013494  | Feed Regulator Shaft                               |
| 3   | 68001509  | F Pulse Motor                                      |
| 4   | 68013495  | Set Screw M3*6                                     |
| 5   | 68001510  | F Pulse Motor Gear                                 |
| 6   | 68001597  | Set Screw M3*3                                     |
| 7   | 68001514  | Feed Regulator                                     |
| 8   | 68001516  | Feed Regulator Gear (A)                            |
| 9   | 68001517  | Feed Regulator Gear (B)                            |
| 10  | 68001553  | Set Screw M3*8                                     |
| 11  | 68001520  | Feed Regulator Gear Spring                         |
| 12  | 68001521  | Pulse Motor Bracket Plate                          |
| 13  | 68001598  | Set Screw M3*3                                     |
| 14  | 68013496  | Feed Regulator Holder                              |
| 15  | 68013497  | Set Screw M2.5*6                                   |
| 16  | 68002633  | Set Screw M4*8                                     |
| 17  | 68002631  | Spring Washer                                      |
| 18  | 68002634  | Washer   |
| 19  | 68001525  | Forward-Reverse Feed Fine Adjustment Screw         |
| 20  | 68001526  | Forward-Reverse Feed Fine Adjustment Spring        |
| 21  | 68018426  | Forward-Reverse Feed Fine Adjustment Spring Collar |
| 22  | 68001523  | Feed Fine Adjustment Screw Nut Support Plate       |
| 23  | 68001524  | Forward-Reverse Feed Fine Adjustment Screw Nut     |
| 24  | 68001590  | Wave Washer  |
| 25  | 416710301 | Set Screw M3*4                                     |
| 26  | 68013498  | Set Screw M2.5*10                                  |
| 27  | 68001596  | Ball Bushing Holder (Left)                         |
| 28  | 68001658  | Ball Bushing Holder                                |
| 29  | 68001191  | Set Screw M4*8                                     |
| 30  | 68001660  | Bobbin Holder Stopper Bracket                      |
| 31  | 68001662  | Bobbin Holder Stopper Spring                       |
| 32  | 68001667  | Bobbin Holder Stopper Spring Cover                 |
| 33  | 68001366  | Set Screw M2*3                                     |
| 34  | 68002502  | Set Screw M4*6                                     |
| 35  | 68002633  | Set Screw M4*8                                     |
| 36  | 68002631  | Spring Washer                                      |
| 37  | 68002634  | Washer   |
| 38  | 68018427  | Dual Feed Lower Shaft Arm Assy.                    |
| 39  | 68001422  | Dual Feed Lower Shaft Arm Fulcrum Shaft            |
| 40  | 68018428  | Snap Ring  |
| 41  | 68001191  | Set Screw M4*8                                     |
| 42  | 68001228  | Cord Holder  |
| 43  | 68001191  | Set Screw M4*8                                     |



---

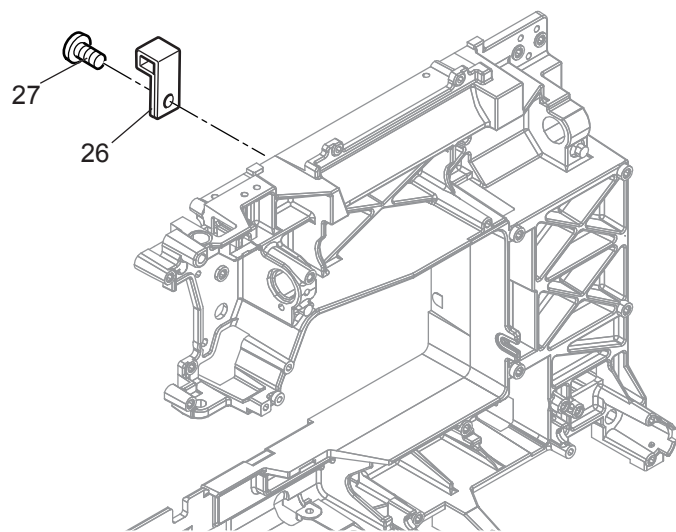
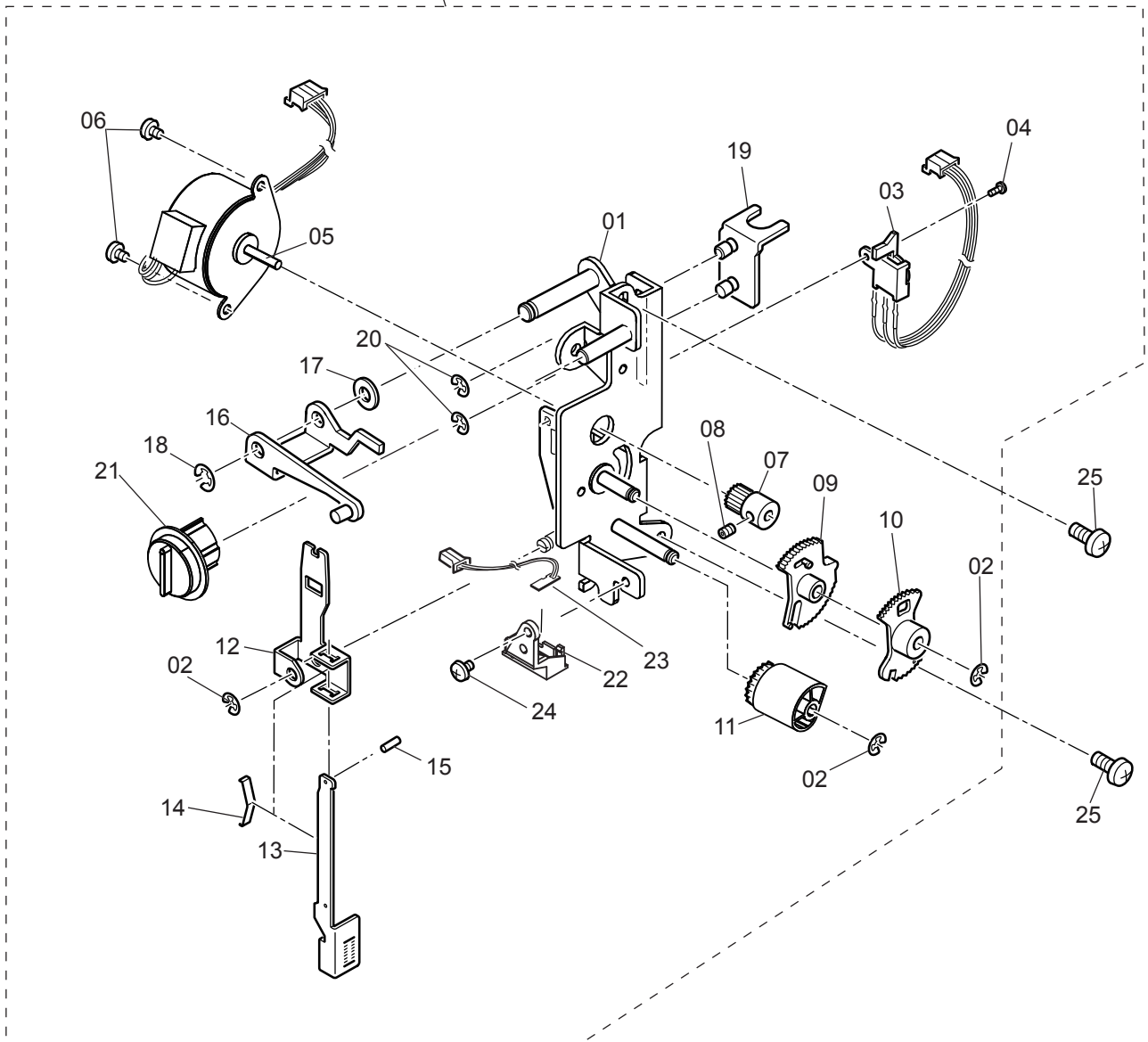
| No. | Part No.  | Description                             |
|-----|-----------|---|
| #1  | 68002960  | Thread Cutter Assy.                     |
| 1   | 68013461  | Thread Cutter Pulse Motor Bracket Assy. |
| 2   | 68001346  | Thread Cutter Pulse Motor               |
| 3   | 68001594  | Pulse Motor Gear                        |
| 4   | 68001597  | Set Screw M3*3                          |
| 5   | 68001598  | Set Screw M3*3                          |
| 6   | 68013464  | Thread Cutter Bracket                   |
| 7   | 68013465  | Thread Cutter Holding Base              |
| 8   | 412423701 | Thread Cutter                           |
| 9   | 68005912  | Thread Divider                          |
| 10  | 68001606  | Set Screw M3*5                          |
| 11  | 68005911  | Thread Catcher A                        |
| 12  | 68005910  | Thread Catcher B Assy.                  |
| 13  | 68001591  | Washer                                  |
| 14  | 68001712  | Wave Washer                             |
| 15  | 68001592  | Snap Ring                               |
| 16  | 416826401 | Thread Holding Bracket                  |
| 17  | 416789901 | Brush                                   |
| 18  | 68001606  | Set Screw M3*5                          |
| 19  | 68001395  | Set Screw M4*22                         |
| 20  | 68001409  | Thread Cutter Switch Bracket            |
| 21  | 68001411  | Thread Cutter Switch Assy.              |
| 22  | 416710401 | Washer                                  |
| 23  | 68001731  | Set Screw M1.7*6                        |
| 24  | 68001598  | Set Screw M3*3                          |
| 25  | 68001191  | Set Screw M4*8                          |



| No. | Part No.  | Description                             |
|-----|-----------|---|
| #1  | 68011276  | Dual Feed Unit Assy.                    |
| #2  | 68011277  | Dual Feed Lower Shaft Assy.             |
| 1   | 68011285  | Dual Feed Dog Assy.                     |
| 2   | 68018429  | Dual Feed Dog                           |
| 3   | 68018430  | Dual Feed Dog Holder (Left)             |
| 4   | 68018431  | Dual Feed Dog Holder (Right)            |
| 5   | 68002635  | Dual Feed Dog Spring                    |
| 6   | 68018432  | Dual Feed Up/Down Cam Lever             |
| 7   | 68018433  | Dual Feed Up/Down Cam Lever Assy.       |
| 8   | 68018434  | Dual Feed Up/Down Adjusting Plate Assy. |
| 9   | 68018449  | Dual Feed Height Adjusting Pin          |
| 10  | 68001590  | Wave Washer                             |
| 11  | 68001591  | Washer                                  |
| 12  | 68019888  | C-type Retaining Ring                   |
| 13  | 68018450  | Set Screw                               |
| 14  | 68021642  | Dual Feed Leg Front/Rear Link Assy.     |
| 15  | 68021643  | Spring                                  |
| 16  | 68021644  | Snap Ring                               |
| 17  | 68001488  | Dual Feed Leg Front/Rear Lever          |
| 18  | 68021645  | Dual Feed Leg Front/Rear Lever (Left)   |
| 19  | 68021646  | Dual Feed Up/Down Cam Lever Shaft       |
| 20  | 68002535  | Set Screw M4*14                         |
| 21  | 68002536  | Spacer                                  |
| 22  | 68021647  | Dual Feed Leg Assy.                     |
| 23  | 68021648  | Dual Feed Up/Down Link Assy.            |
| 24  | 68001597  | Set Screw M3*3                          |
| 25  | 68022889  | Collar                                  |
| 26  | 68001495  | Dual Feed Up/Down Shaft Link Assy.      |
| 27  | 68023068  | Dual Feed Upper Shaft                   |
| 28  | 68001401  | Feed Shaft Collar                       |
| 29  | 68001504  | Ball Bushing                            |
| 30  | 416705201 | Polyslider                              |
| 31  | 68001511  | Straight Pin                            |
| 32  | 68000153  | Set Screw M4*4                          |
| 33  | 68001592  | Snap Ring                               |
| 34  | 416402801 | Snap Ring                               |
| 35  | 68001490  | Dual Feed Up/Down Cam Lever Shaft       |
| 36  | 68001597  | Set Screw M3*3                          |
| 37  | 68001592  | Snap Ring                               |
| 38  | 68001685  | Dual Feed Ball Bushing Holder           |
| 39  | 68001191  | Set Screw M4*8                          |
| 40  | 68018451  | Dual Feed Cloth Presser Spring          |
| 41  | 68001691  | Dual Feed Lower Shaft Lever Assy.       |
| 42  | 68024848  | Dual Feed Link Lever                    |
| 43  | 68001693  | Dual Feed Lower Shaft                   |
| 44  | 68001504  | Ball Bushing                            |
| 45  | 416705201 | Polyslider                              |
| 46  | 68000153  | Set Screw M4*4                          |
| 47  | 416402801 | Snap Ring                               |
| 48  | 68001685  | Dual Feed Ball Bushing Holder           |
| 49  | 68001191  | Set Screw M4*8                          |
| 50  | 68001592  | Snap Ring                               |
| 51  | 68001700  | Cable Clamp                             |
| 52  | 68002539  | Stud                                    |
| 53  | 68002541  | Dual Feed Leg Front/Rear Lever Spring   |
| 54  | 68024849  | Dual Feed Leg                           |
| 55  | 68001191  | Set Screw M4*8                          |

J

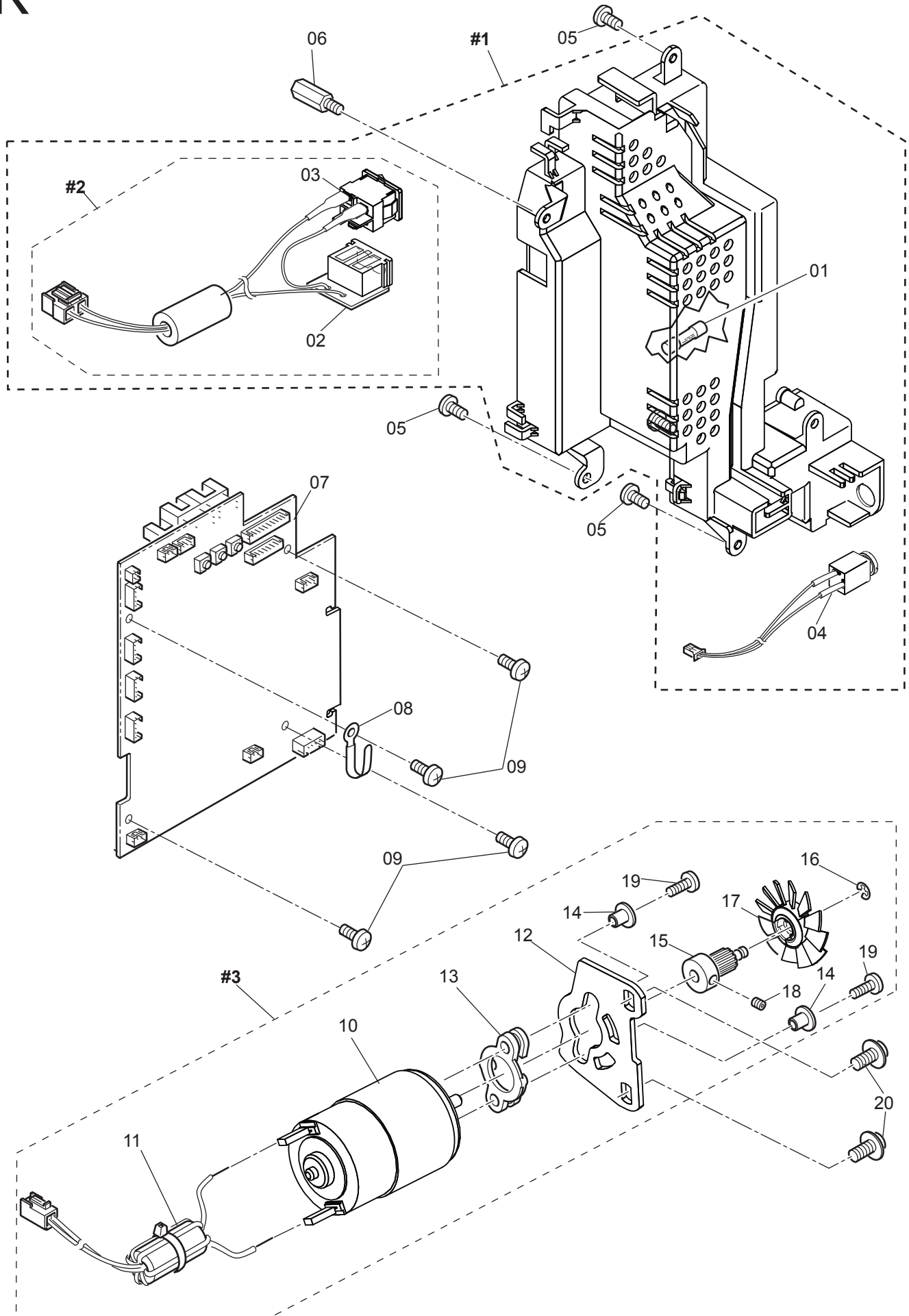
#1



---

| No. | Part No.  | Description                           |
|-----|-----------|---------------------------------------|
| #1  | 68011560  | Z Pulse Motor Assy.                   |
| 1   | 68001749  | Z Pulse Motor Bracket Assy.           |
| 2   | 68001592  | Snap Ring                             |
| 3   | 68001750  | BH Switch Assy.                       |
| 4   | 416710101 | Set Screw M2.5*4                      |
| 5   | 68001752  | Z Pulse Motor                         |
| 6   | 68001598  | Set Screw M3*3                        |
| 7   | 68001594  | Pulse Motor Gear                      |
| 8   | 68001753  | Set Screw M3*4                        |
| 9   | 68001754  | Center Gear (A)                       |
| 10  | 68001765  | Center Gear (B)                       |
| 11  | 68001755  | Z Cam                                 |
| 12  | 68001756  | BH Plate                              |
| 13  | 68001757  | BH Lever                              |
| 14  | 68001758  | BH Lever Spring                       |
| 15  | 68001759  | Spring pin                            |
| 16  | 68001760  | Pressure Regulator Cam Follower Assy. |
| 17  | 68001761  | Washer                                |
| 18  | 416402801 | Snap Ring                             |
| 19  | 68001762  | Pressure Regulator Plate Assy.        |
| 20  | 68001592  | Snap Ring                             |
| 21  | 68013527  | Pressure Regulator Dial               |
| 22  | 68013528  | LED Light Cover ( E )                 |
| 23  | 68011561  | LED Board Assy ( C )                  |
| 24  | 68001606  | Set Screw M3*5                        |
| 25  | 68001191  | Set Screw M4*8                        |
| 26  | 68001228  | Cord Holder                           |
| 27  | 68001191  | Set Screw M4*8                        |

# K

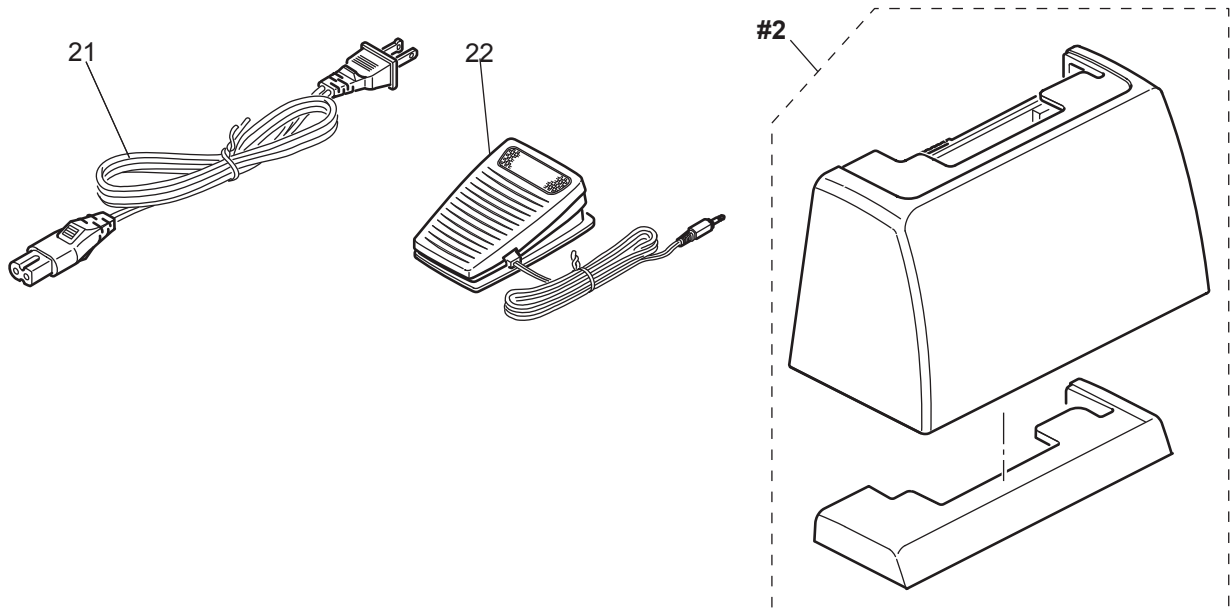
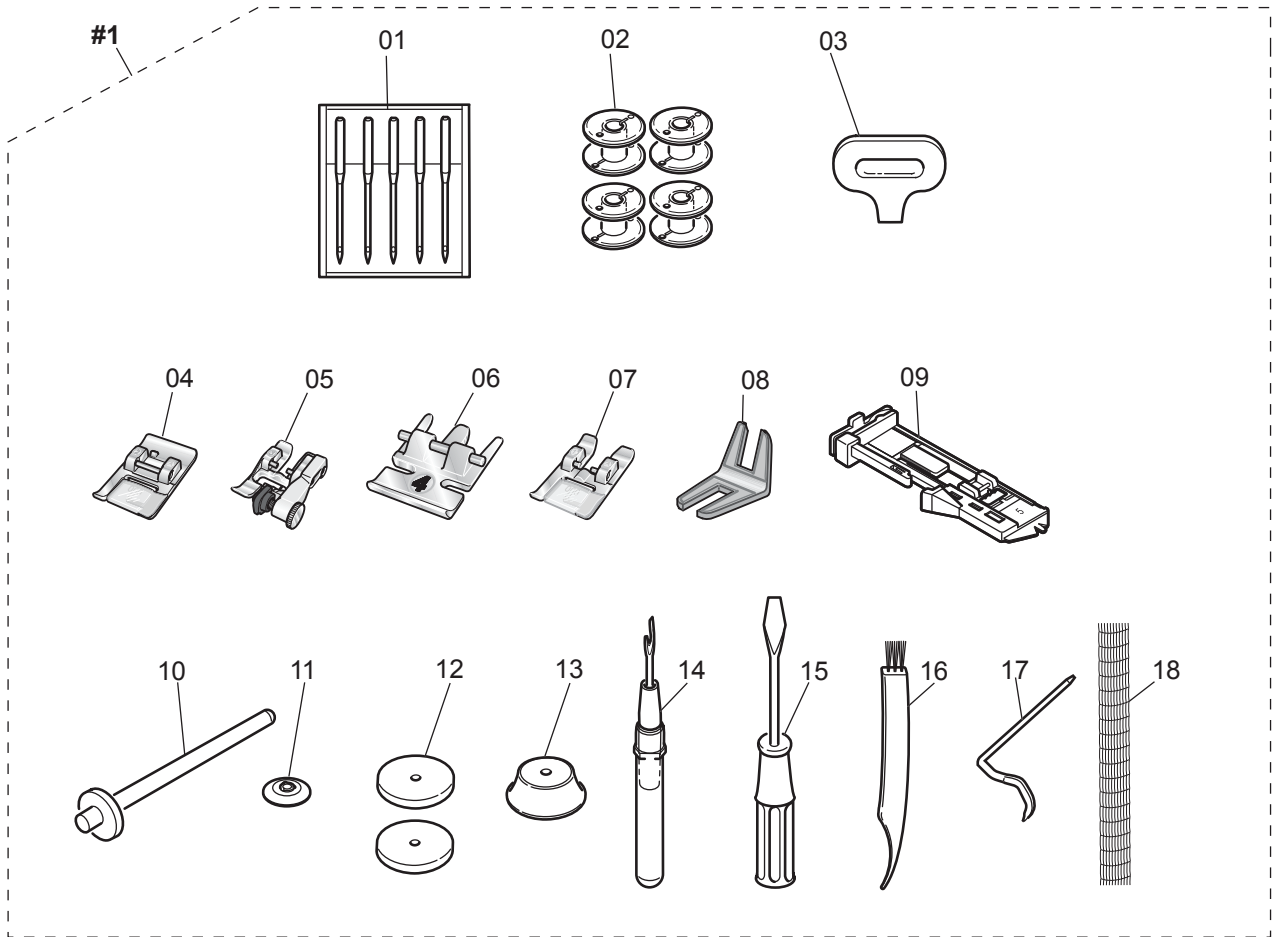




---

| No. | Part No.    | Description           |
|-----|-------------|-----------------------|
| #1  | 68011287    | Power Circuit Assy.   |
| #2  | 68001768    | Power Socket Assy.    |
| #3  | 68001785    | Motor Assy.           |
| 1   | 68001767    | Fuse                  |
| 2   | 68001769    | Power Socket Circuit  |
| 3   | 68001770    | Power Switch          |
| 4   | 68001772    | Controller Jack Assy. |
| 5   | 68001191    | Set Screw M4*8        |
| 6   | 68001774    | Stud                  |
| 7   | 68011562    | CPU Board Assy.       |
| 8   | 68001780    | Coating Clip          |
| 9   | 68001191    | Set Screw M4*8        |
| 10  | 416712101   | Motor                 |
| 11  | 68001787    | DC Motor Harnes Assy. |
| 12  | 68001789    | Motor Bracket         |
| 13  | 416712401   | Rubber Cushion        |
| 14  | 416712501   | Motor Collar          |
| 15  | 416712601   | Motor Pulley          |
| 16  | 68001592    | Snap Ring             |
| 17  | 270 HP32925 | Motor Fan             |
| 18  | 68000153    | Set Screw M4*4        |
| 19  | 416712701   | Set Screw M4*10       |
| 20  | 416403001   | Set Screw M5*10       |

L



| No. | Part No.  | Description                   |
|-----|-----------|-------------------------------|
| #1  | 68011289  | Accessory Kit                 |
| #2  | 68001835  | Dust Cover Unit               |
| 1   | 620098796 | Needle Set                    |
| 2   | 68001389  | Bobbin                        |
| 3   | 68001808  | Screw Driver for Needle Plate |
| 4   | 413060501 | Fancy Stitch Foot 2A          |
| 5   | 820256096 | Blindhem Foot 3               |
| 6   | 820248096 | Zipper Foot 4                 |
| 7   | 413059801 | Fancy Stitch Foot 1A          |
| 8   | 413105601 | Multi-Purpose Tool            |
| 9   | 68002863  | One Step BH Foot 5            |
| 10  | 68001820  | Auxiliary Spool Pin           |
| 11  | 68001821  | Small Thread Cap              |
| 12  | 412610701 | Felt                          |
| 13  | 68001559  | Thread Cap                    |
| 14  | 68001822  | Stitch Ripper                 |
| 15  | 68001823  | Screw Driver                  |
| 16  | 68001824  | Brush                         |
| 17  | 68001825  | Edge Guide                    |
| 18  | 68001826  | Spool Net                     |
| 21  | 412157903 | Power Cord 120V (USA, CND)    |
| 21  | 412157801 | Power Cord 220V (EU)          |
| 21  | 412158002 | Net Cable (GB)                |
| 22  | 68001834  | Controller                    |

