

PFAFF®

Ambition 1.0 - 1.5

Ersatzteile-Liste
List of spare parts
Liste des pièces détachées
Catalogo pezzi staccati
Lista de piezas de repuesto



Please note that on disposal, this product must be safely recycled in accordance with relevant National legislation relating to electrical/electronic products. If in doubt please contact your retailer for guidance.



Bitte beachten Sie, dass hinsichtlich der Entsorgung dieses Produkts, vorschriftsmäßig entsprechend der gültigen nationalen Gesetzgebung für elektrische/elektronische Produkte, recycelt werden muss. Bei Zweifel setzen Sie sich bitte mit Ihrem Fachhändler in Verbindung.



Veillez noter qu'en cas de destruction, ce produit doit bénéficier d'un recyclage sécurisé, conforme à la législation nationale applicable aux produits électriques/électroniques. En cas de doute, veuillez contacter votre distributeur agréé.

- All casted parts within our products are marked with name of material if allowed by size.
- All molded plastic parts within our products are marked with name of material if allowed by size.

Nicht nummerierte Teile im Katalog werden nicht geliefert.

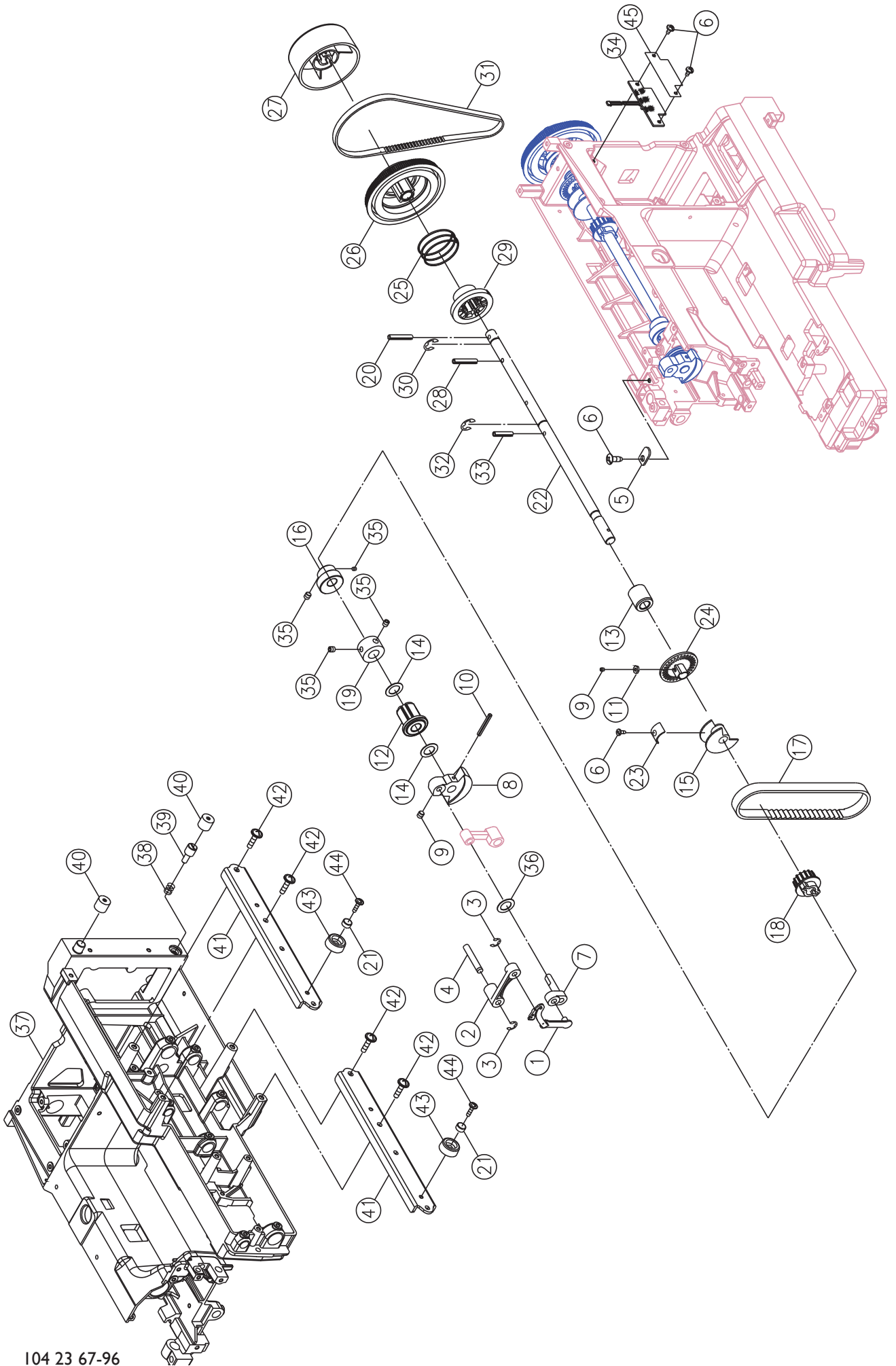
The parts mentioned without number in the parts list are not available.

Les pièces qui ne sont pas numérotées dans la liste de pièces détachées ne peuvent être livrées.

Pezzi non catalogati non sono disponibili.

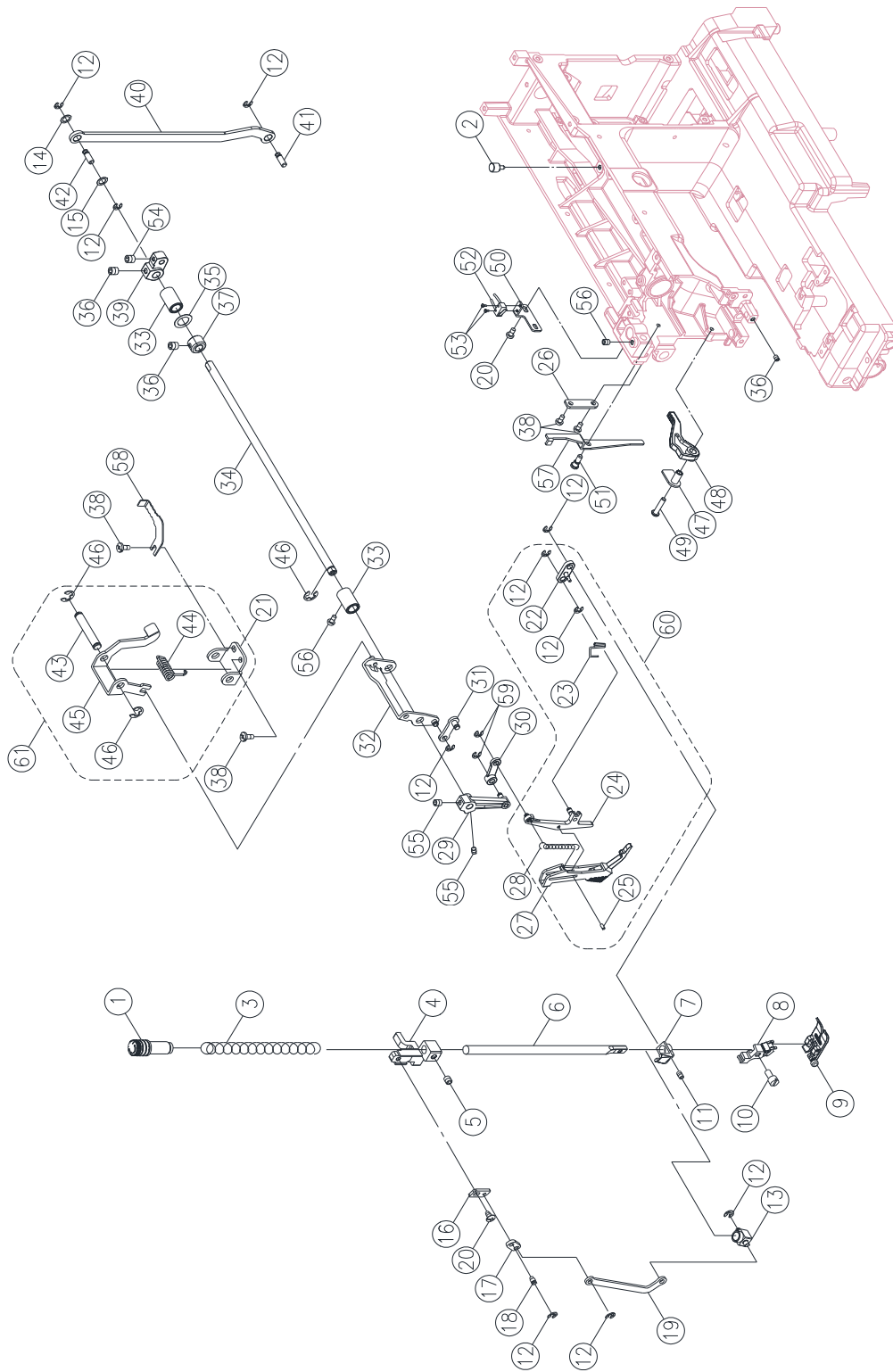
Las piezas de repuesto sin número en esta lista no se entregarán.

A



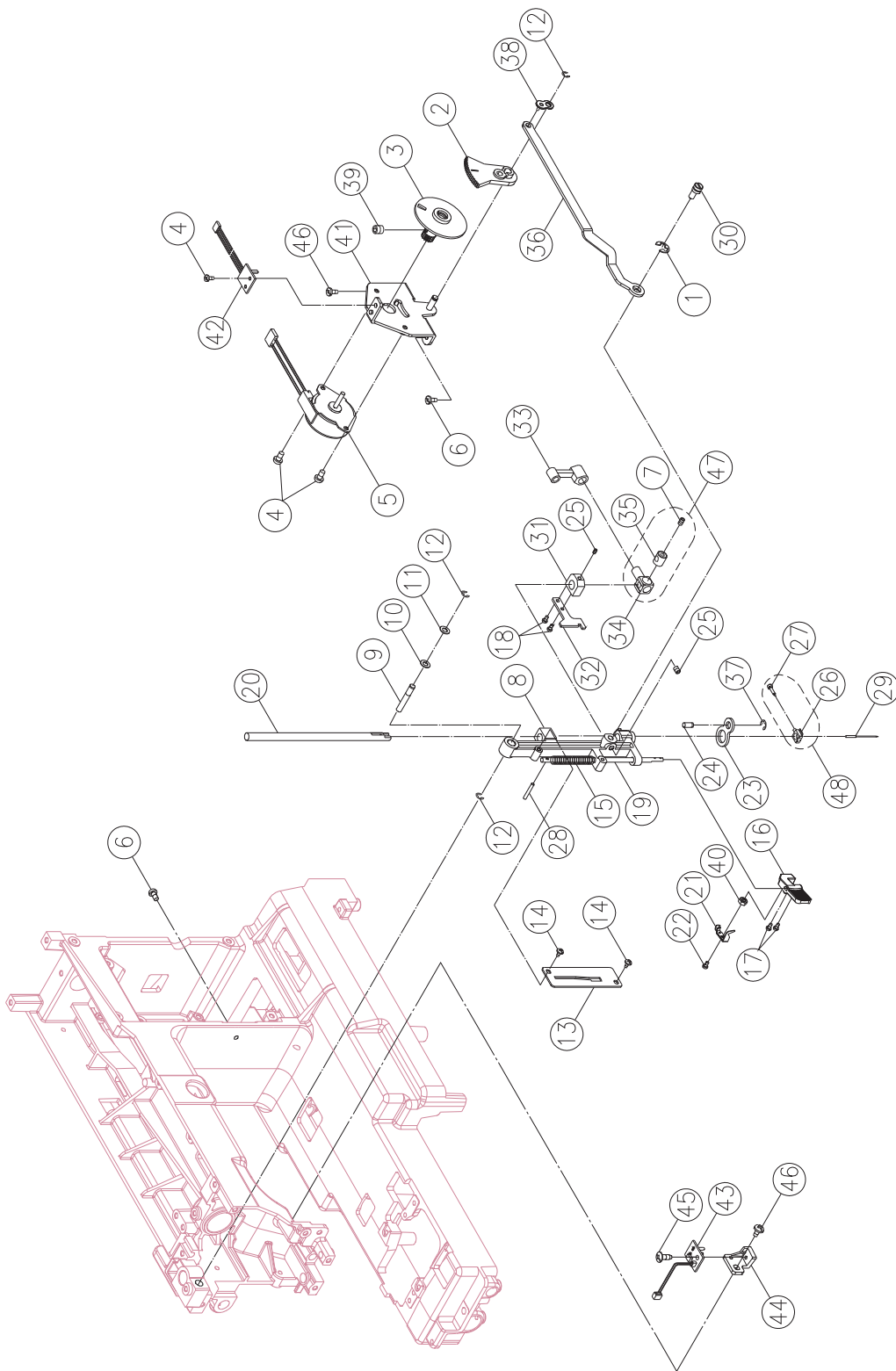
No.	Part No.	Description
1	416484501	THREAD TAKE UP LEVER COMPLETE
2		THREAD TAKE UP LEVER SUPPORTER
3		E-RING ETW-3
4		THREAD TAKE UP LEVER SUPPORTER SHAFT
5		SET WASTER
6		SET SCREW M4x8 A
7		ARM SHAFT BALANCE PIN COMPLETE
8		ARM SHAFT BALANCE
9		SET SCREW (M4x6 C)
10		ARM SHAFT BALANCE PIN 3.5x24
11		NUT (M4 T=3)
12		ARM SHAFT BUSHING
13		ARM SHAFT BUSHING
14		ENDURE ATTRITION WASHER
15		ROTARY SENSOR COLLAR
16		SHANK CAM (2)
17		MOTOR DRIVE BELT (425-5-KC6)
18		ARM SHAFT SPROCKET
19		ARM SHAFT COLLAR
20		SPRING PIN 3x30
21		SPACER
22		ARM SHAFT
23		ARC WASHER
24		REVOLUTION CONTROL PANEL
25		ARM SHAFT CLUTCH ANNULUS SPRING
26		ARM SHAFT DRIVE BELT PULLEY
27	416476501	HAND WHEEL
28		SPRING PIN 3x28
29		ARM SHAFT COLLAR
30		E-RING ETW-8
31	416685701	MOTOR DRIVE BELT 2M
32		E-RING ETW-9
33		SPRING PIN 3x18
34	416476401	PHOTO SENSOR PLATE
35		SET SCREW (M4x5 C)
36		ENDURE ATTRITION WASHER (6.2x12x0.25)
38		BASE PLATE ADJUSTMENT SCREW SPRING
39		BASE PLATE ADJUSTMENT SCREW
40		FREE ARM BASE CUSHION RUBBER
41		FREE ARM BASE CUSHION
42		SET SCREW M5x10
43		FREE ARM BASE CUSHION RUBBER
44		SET SCREW M4x8
45		INSULATING SLICE

B



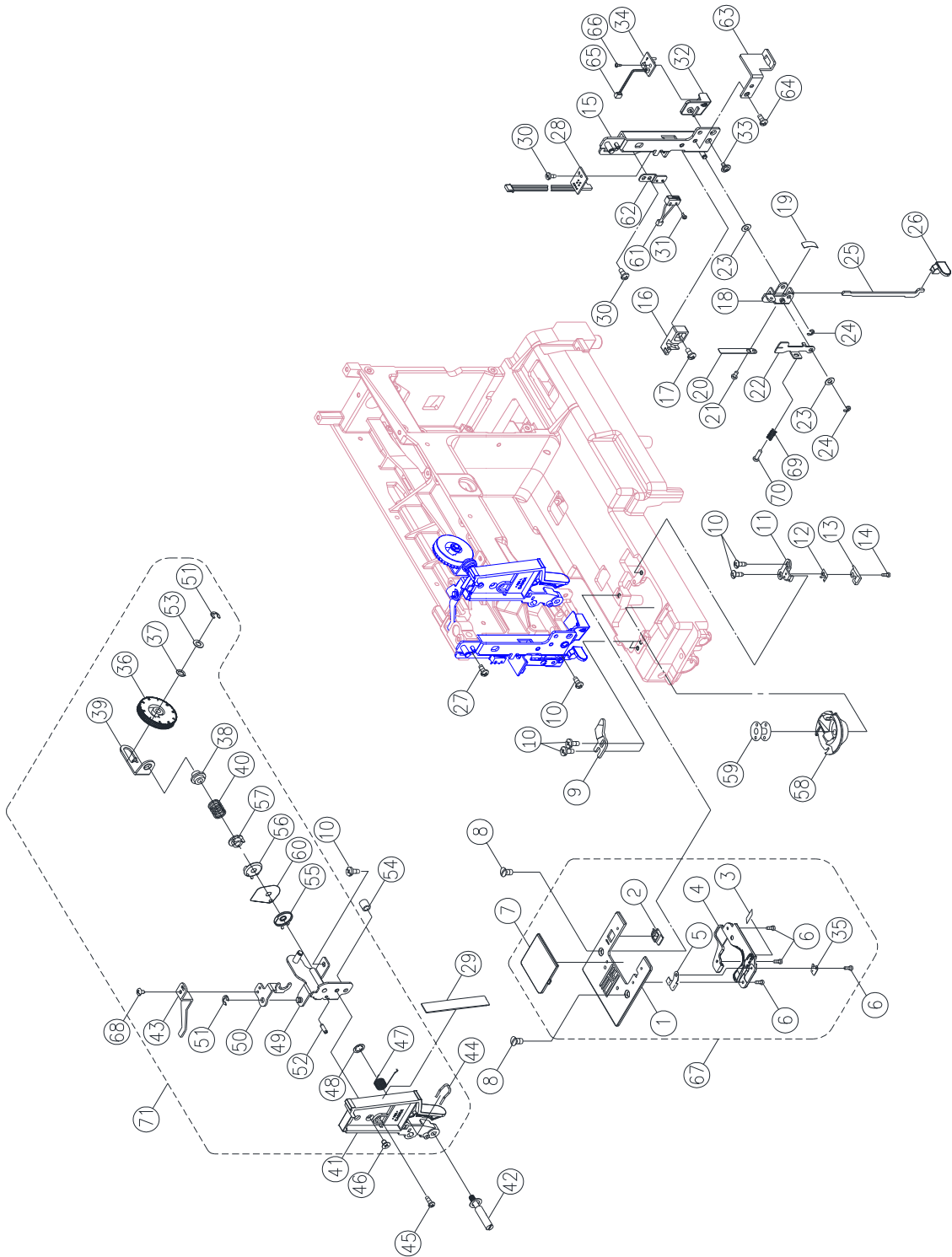
No.	Part No.	Description
1		PRESSER BAR SET SCREW
2		PIN
3		PRESSER BAR SPRING
4		PRESSER BAR BRACKET
5		SET SCREW M5x5C
6	416476801	PRESSER BAR
7		PRESSER BAR RING
8	416477001	PRESSER FOOT HOLDER ASSEMBLY (SHANK)
9	820773096	ALL PURPOSE FOOT - OA
10	416430601	SET SCREW (M3X0.5)
11		SET SCREW (M3X6C)
12		E-RING (E-3)
13		PRESSER BAR LIFTER SPACER
14		WASHER (4.1x10x0.5)
15		CURVED WASHER
16		FEED LEVER
17		FEED ROD CRANK
18		FEED LEVER PIN
19		FEED ROD
20		SET SCREW (M4x6B)
21		FEED SUPPORTER
22		SHANK LEVER COMPLETE
23		SPRING
24		SHANK OF DELIVER CLOTH FOOT COMPLETE
25		PIN
26		PRESSER BAR BRACKET PLATE
27		DUAL FEED SHANK
28		SHANK SPRING
29		FEED CRANK
30		FEED ROD
31		FEED LEVER COMPLETE
32		FEED CRANK
33		FEED ROCK BUSHING
34		FEED SHAFT
35		WASHER (6.2x9.6x0.5)
36		SET SCREW M4x4C
37		FEED COLLAR
38		SET SCREW M4x8A
39		FEED CRANK
40		FEED ROD
41		PIN
42		PIN (1)
43		FEED SHAFT
44		SPRING
45		FEED CRANK
46		E-RING (E-5)
47		PRESSER BAR LIFTER LEVER SPACER
48		PRESSER BAR LIFTER LEVER
49		SET SCREW (M4x18B)
50		PLATE
51		TENSION LEVER LIFTER SCREW
52	416478001	PRESSER BAR LEVER MICRO SWITCH
53		SET SCREW (M2x7.5)
54		SET SCREW M3x3C
55		SET SCREW (M4x6C)
56		SET SCREW (M4x5C)
57		TENSION LEVER LIFTER
58		ELECTRIC WIRE PRESS BOARD
59		E-RING (E-3)
60	416484001	DUAL FEED SHANK COMPLETE
61		FEED CRANK COMPLETE

C



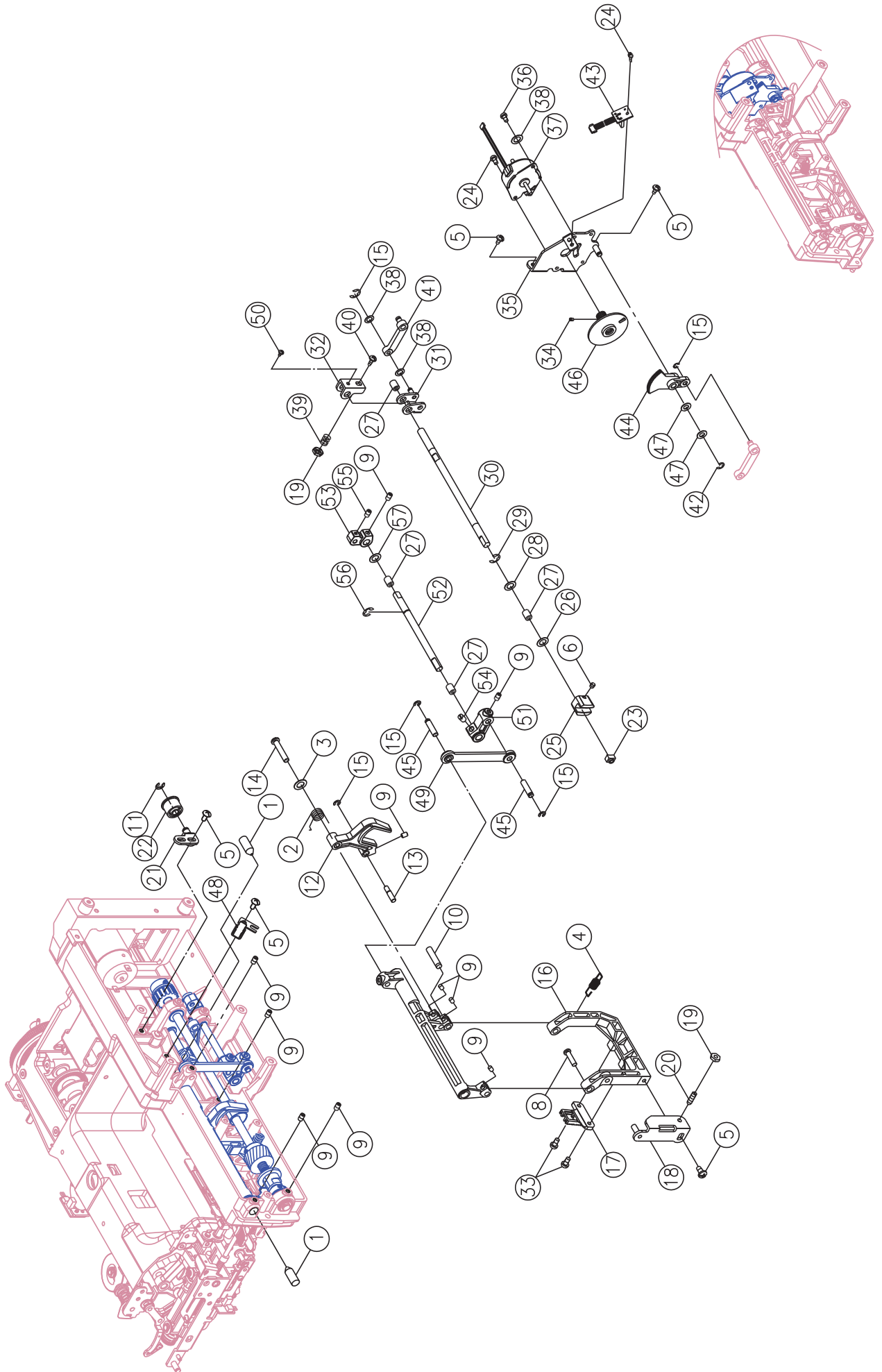
No.	Part No.	Description
1		E-RING (ETW-5)
2		ZIGZAG CRANK GEAR
3		PULSE MOTOR GEAR COMPLETE
4		SET SCREW M3×5A
5	416303901	PULSE MOTOR
6		SET SCREW (M4×8A)
7		SET SCREW (M4×4C)
8		NEEDLE BAR SUPPORTER
9		NEEDLE BAR SUPPORTER PIN
10		WASHER (WW-6)
11		WASHER (6.5×13×1)
12		E-RING (ETW-4)
13		THREADING GUIDE
14		SET SCREW (M3×6 A)
15		THREADING SHAFT SPRING
16	416580201	THREADING PLATE
17		SET SCREW (M2×4B)
18		SET SCREW (M2×4)
19		THREADING SHAFT
20	416173601	NEEDLE BAR
21	416409701	THREADING
22		SET SCREW (M2×3.5)
24		NEEDLE BAR SUPPORTER PLATE PIN
25		SET SCREW (M3×4 C)
27		NEEDLE CLAMP SET SCREW
28		PIN (2×14)
30		NEEDLE BAR DRIVING ROD PIN
31		THREADING STOPPER
32		THREADING STOP HOLDER
33		NEEDLE BAR CRANK ROD
34		NEEDLE BAR BRACKET (1)
35		NEEDLE BAR BRACKET (2)
36		NEEDLE BAR DRIVING ROD
37		E-RING (ETW-4)
39		SET SCREW M3×3C
40		NUT (M2 T=1.6)
41		ZIGZAG PULSE MOTOR PLATE
42	416478201	ZIGZAG PHOTO SENSOR PLATE
43	416478301	LED LIGHT LAMP COMPLETE
44		LED HOLDER (RIGHT)
45		SET SCREW (M3×6B)
46		SET SCREW (M4×6B)
47		NEEDLE BAR CROSS HEAD COMPLETE
48	416613201	NEEDLE CLAMP COMPLETE
49		NEEDLE BAR COMPLETE
#1	68006079	PULSE MOTOR COMPLETE (2,3,4,5,12,36,39,41,42)

D



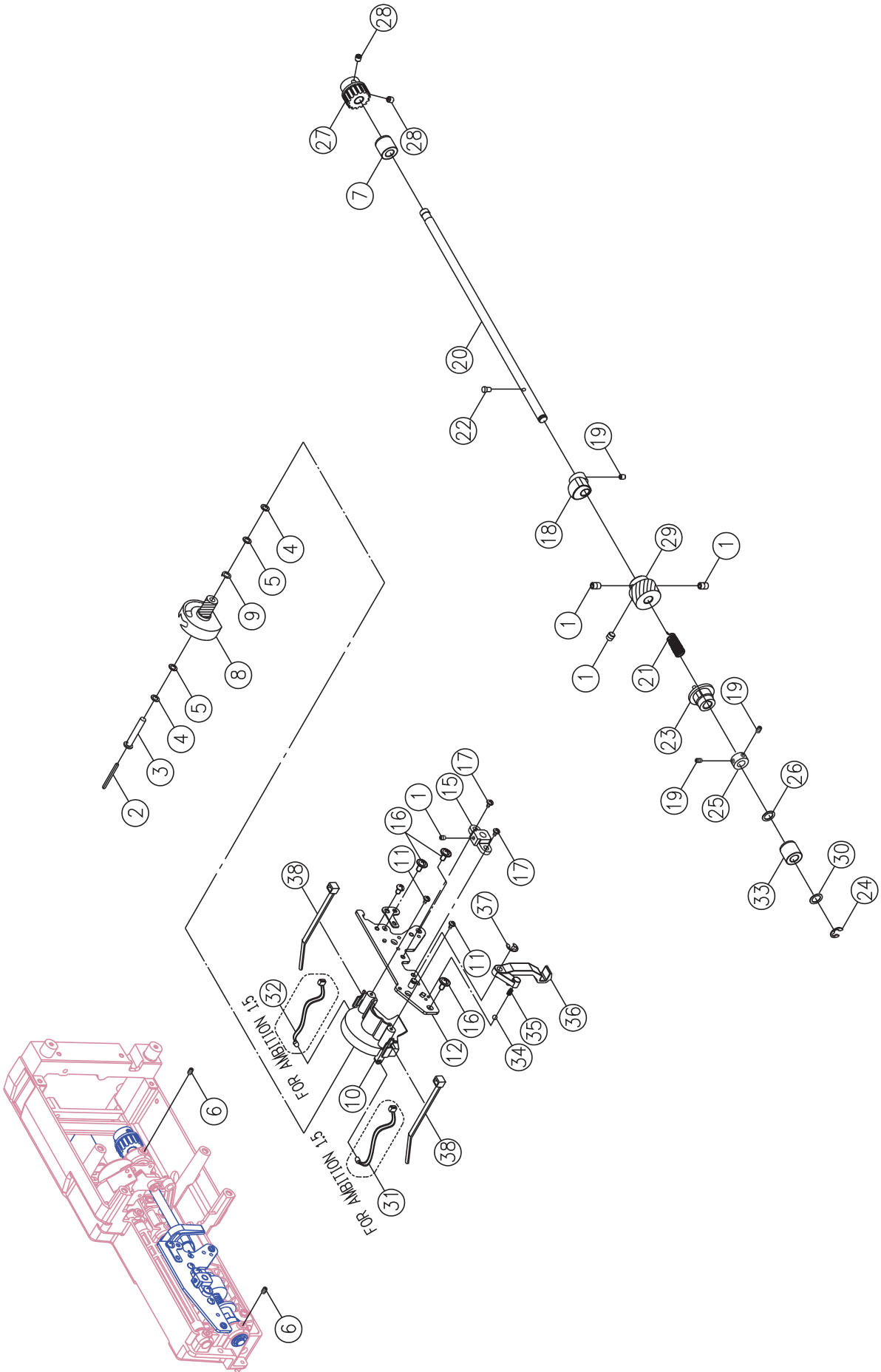
No.	Part No.	Description
1		NEEDLE PLATE
2		NEEDLE PLATE COVER OPEN
3	416172501	THREAD CUTTER
4		NEEDLE PLATE SUPPORTER
5		NEEDLE PLATE SPRING
6		SET SCREW(M2x3)
7		NEEDLE PLATE COVER
8		SET SCREW(M4x6)
9		ROTARY HOOK PLATE
10		SET SCREW(M4x6B)
11		ROTARY HOOK PLATE(2)
12		ROTARY HOOK PLATE SPRING(2)
13		ROTARY HOOK PLATE SPRING(1)
14		SET SCREW(M2x2.5)
15		BH LEVER PLATE COMPLETE
16		BH MOVEMENT CRANK
17		SET SCREW(M3x6)
18		BH LEVER CRANK COMPLETE
19		BH SPRING PLATE
20		BH LEVER CRANK SPRING
21		SET SCREW(M3x5B)
22		PHOTO PLATE
23		WASHER(4x 8x0.5)
24		E-RING(ETW-3)
25		BH LEVER
26		BH LEVER BUTTON
27		SET SCREW(M4x8A)
28	416478701	PHOTO SENSOR COMPLETE
29		DIAL TENSION SUPPORTER PLATE COVER
30		SET SCREW(M3x0.5x4A)
31		SET SCREW(M2x7.5)
32		LED HOLDER
33		SET SCREW(M3x5)
34	416484601	LED LAMP COMPLETE
35		PLATE
36		DIAL TENSION KNOB
37		WASHER(WW-5)
38		DIAL TENSION REGULATOR
39		DIAL TENSION SPRING PLATE
40		DIAL TENSION SPRING
41		DIAL TENSION SUPPORTER PLATE COVER
42		SET SCREW(M4x37)
43		DIAL TENSION WAFT TRIMMING PLATE
44	416198701	THREAD GUIDE
45		SET SCREW(M4x15B)
46		SET SCREW(M4x6)
47		THREAD GUIDE SPRING
48		CS-RING(CSTW-4.5)
49		DIAL TENSION SUPPORTER PLATE
50		DIAL TENSION WAFT PLATE
51		E-RING(ETW-4)
52		PIN(3x10)
53		WASHER(5.2x 10x0.5)
54		DIAL TENSION GUIDE SPRING TUBE
55		DIAL TENSION DISC (1)
56		DIAL TENSION DISC
57		DIAL TENSION SPRING REGULATOR
58	416827001	SHUTTLE HOOK COMPLETE
59	416475801	BOBBIN
60		DUAL THREAD GUIDE PLATE
61		BH MICRO SWITCH COMPLETE
62		DIAL TENSION KNOB
63		FACE PLATE
64		SET SCREW(M4x5B)
65		LED LAMP LINE
66		SET SCREW(M3x6B)
67	416479101	NEEDLE PLATE COMPLETE
68		SET SCREW(M3x0.5x4A)
69		PULSE SUPPORT SPRING
70		SET SCREW(M3x16)
71	416479301	DIAL TENSION SUPPORTER PLATE COMPLETE

E



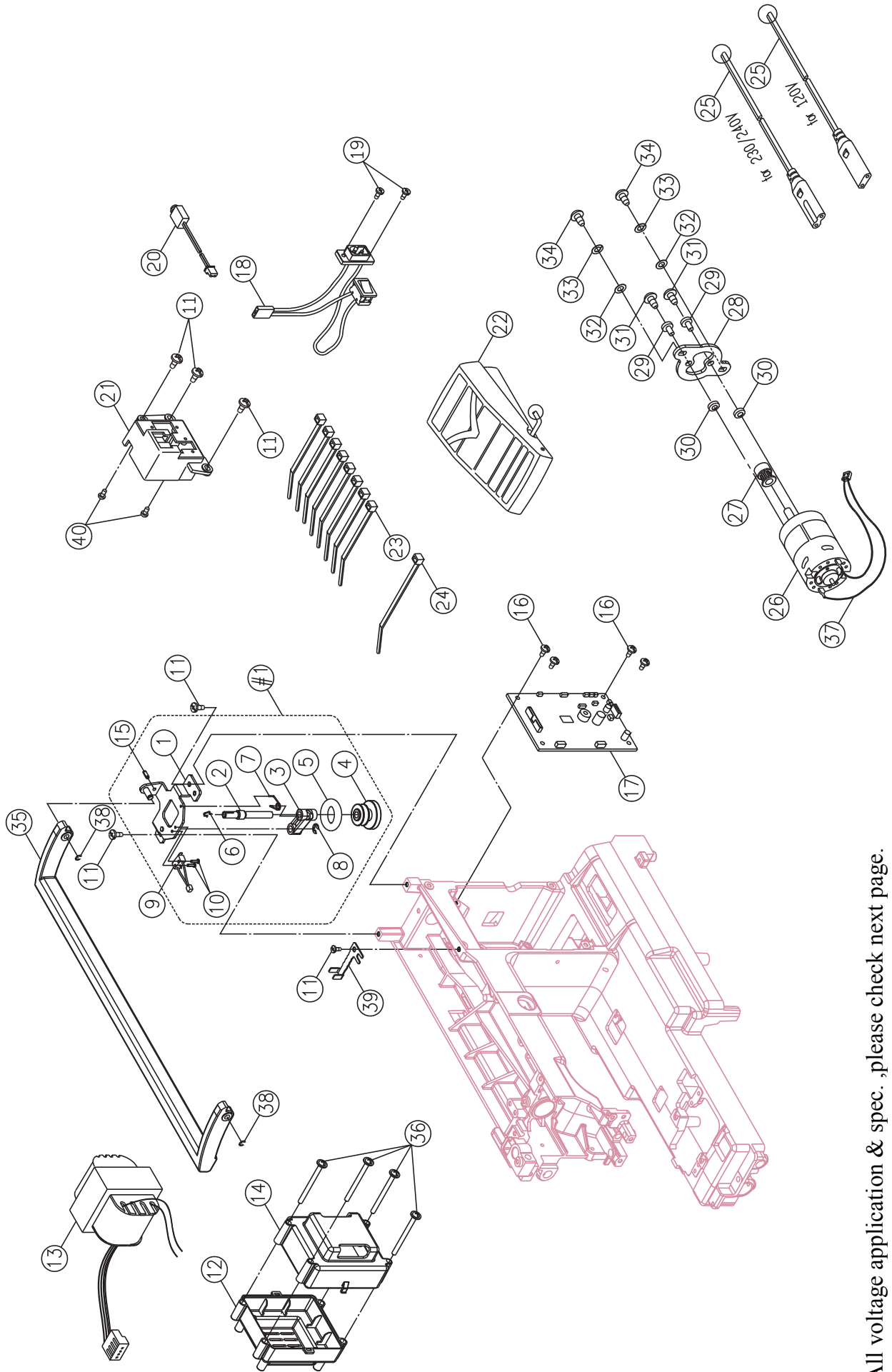
No.	Part No.	Description
1		FEED CRANK SHAFT
2		FEED ROCK CRANK SPRING
3		WASHER (5.2×12×1)
4		FEED DOG SPRING
5		SET SCREW M4×8A
6		SET SCREW (M4×4C)
8		FEED DOG SHAFT
9		SET SCREW M4×6C
10		FEED ROCK FRAME SHAFT (2)
11		E-RING (ETW-4)
12		FEED ROCK CRANK
13		REGULATING BLOCK SHAFT
14		FEED ROCK SHAFT
15		E-RING ETW-3
16		FEED DOG SUPPORTER
17	416479601	FEED DOG
18		FEED LIFTING ROCK CRANK
19		ADJUSTING NUT (ALN-4)
20		SET SCREW (M4×0.7 L9)
21		BELT ADJUSTING PLATE
22		BELT ADJUSTING PLATE PULLEY
23		FEED REGULATING BLOCK
24		SET SCREW (M3×5A)
25		FEED REGULATING
26		ENDURE ATTRITION WASHER (6.7×11.8×0.5)
27		FEED ROCK BUSHING
28		WASHER 6.7×12×1
29		E-RING ETW-5
30		FEED REGULATING SHAFT
31		FEED REGULATING CRANK
32		FEED CRANK
33		SET SCREW (M3.5×0.6 L8A)
34		SET SCREW (M3×3C)
35		PULSE SUPPORT PLATE
36		SET SCREW (M3×4A)
37	416303901	PULSE MOTOR COMPLETE
38		WASHER (4.2×8×0.8)
39		FEED REGULATING CRANK SPRING
40		FEED REGULATING CRANK SET SCREW (M4×16)
41		FEED ROCK ROD
42		E-RING ETW-4
43	416582701	PHOTO SENSOR COMPLETE
44		FEED ROCK CRANK GEAR
45		FEED ROCK ROD PIN
46		PULSE MOTOR GEAR COMPLETE
47		WASHER (5.2×10×0.2)
48		ELECTRIC WIRE PRESS BOARD
49		FEED ROCK ROD COMPLETE
50		SET SCREW (M3×12)
51		FEED TRANSFER CRANK (1)
52		FEED TRANSFER SHAFT
53		FEED TRANSFER CRANK (2)
54		SET SCREW (M5×8C)
55		SET SCREW (M3×5C)
56		E-RING ETW-5
57		WASHER (6.7×11.8×0.25)

F



No.	Part No.	Description
1		SET SCREW M4x5C
2		BOBBIN SHAFT OIL CLOTH
3		BOBBIN SHAFT
4		BOBBIN SHAFT WASHER (2)
5		ENDURE ATTRITION WASHER (6.2x9.6x0.5)
6		SET SCREW M4x6C
7		LOWER SHAFT BUSHING
8	416479801	SHUTTLE HOOK HOLDER
9		BOBBIN SHAFT WASHER (3)
10		SHUTTLE HOOK COVER
11		SET SCREW M3x12
12		ROTARY HOOK HOLDER
15		ROTARY HOOK SUPPORTER
16		SET SCREW M4x8
17		SET SCREW M4x8A
18		FEED ROCK CAM
19		SET SCREW (M4x4C)
20		LOWER SHAFT
21		LOWER SHAFT SPRING
22		FEED LIFTING ROCK COM PIN
23		FEED LIFTING ROCK CAM
24		E-RING ETW-6
25		LOWER SHAFT COLLAR
26		ENDURE ATTRITION WASHER(8.2x12x0.5)
27		LOWER SHAFT BELT PULLEY
28		SET SCREW M5x5C
29		LOWER SHAFT GEAR
30		WASHER 8.2x12x0.5
31		ROW LINE (RECEIVE)
32		ROW LINE (RECEIVE)
33		LOWER SHAFT BUSHING
34		BALL
35		SPRING
36		TOOTH LEVER ARM
37		E-RING (E-4)
38		CORD CLIP (L=12)

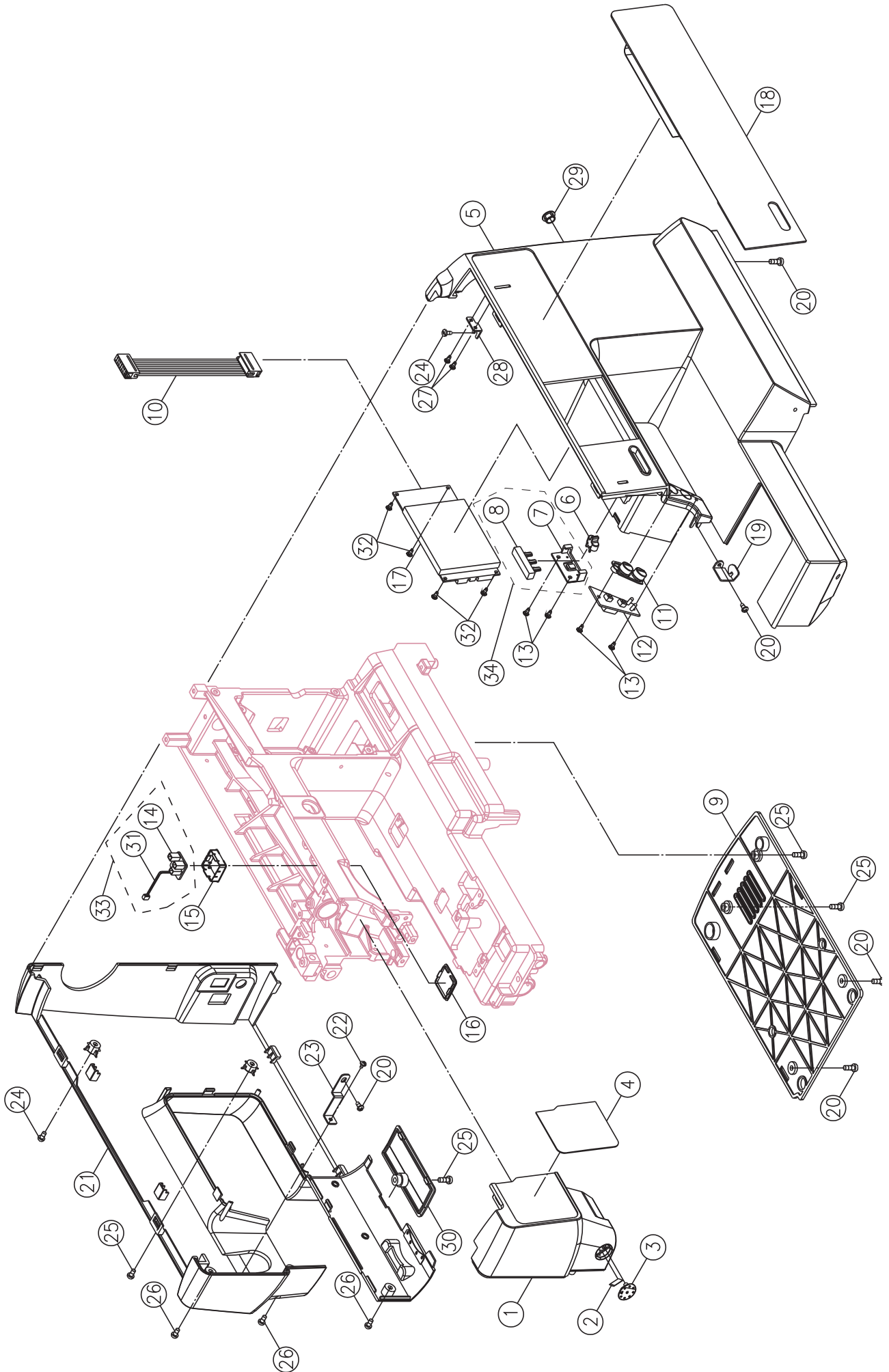
G



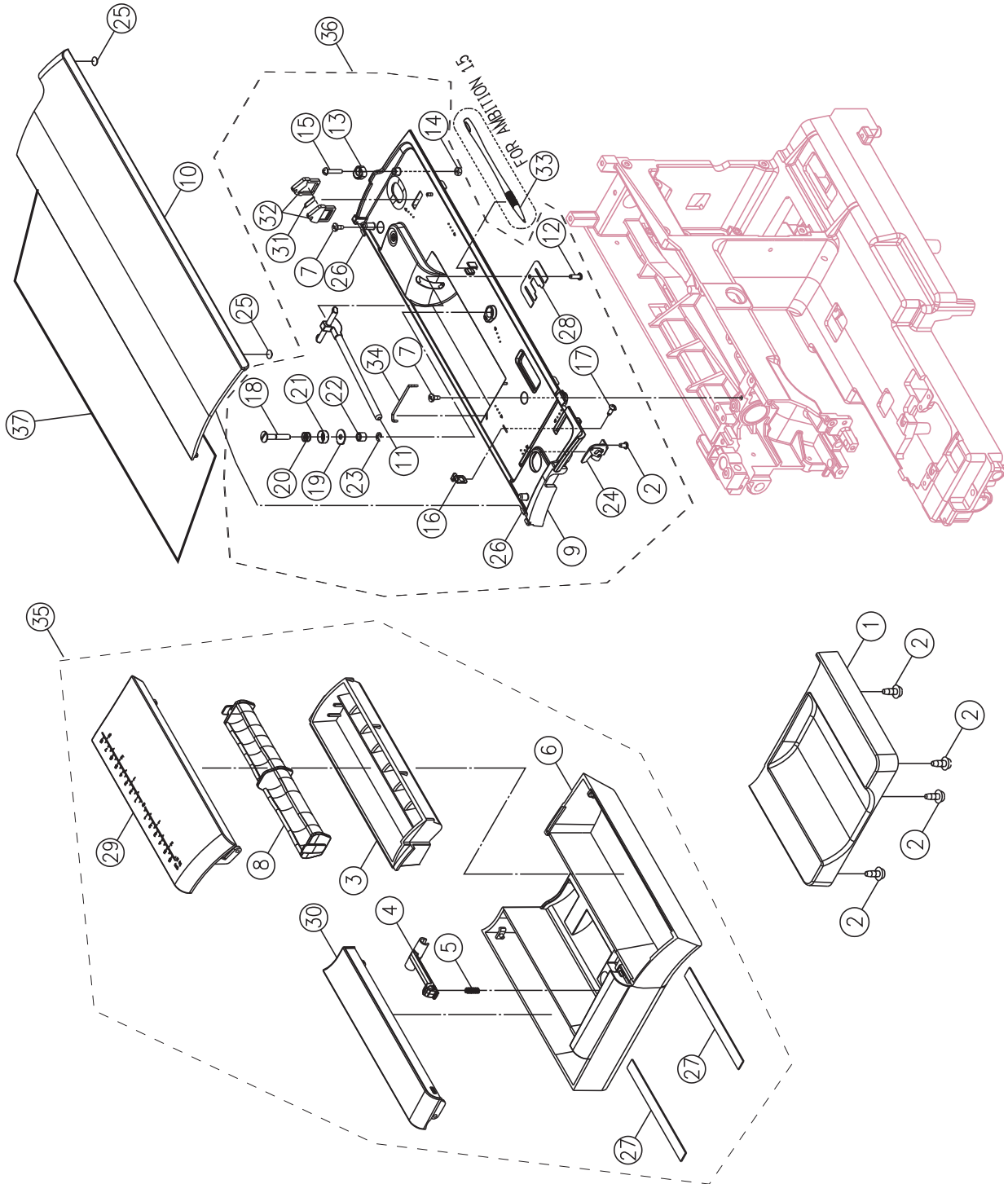
All voltage application & spec. , please check next page.

No.	Part No.	Description
1		BOBBIN WINDER PLATE
2		BOBBIN WINDER CRANK
3		BOBBIN WINDER CRANK
4		BOBBIN WINDER PULLEY
5	416149201	BOBBIN WINDER RUBBER PULLEY
6		BOBBIN WINDER CRANK SPRING
7		BOBBIN WINDER CRANK SPRING
8		E-RING ETW-5
9	416480101	MICRO SWITCH
10		SET SCREW (M2x0.4x7.5)
11		SET SCREW (M4x8A)
12		TRANSFORMER BOX (1)
13	416480201	TRANSFORMER (230V) - EU
13	416480202	TRANSFORMER (120V) - US
13		TRANSFORMER (240V)
14		TRANSFORMER BOX (2)
15		SPRING PIN (3x8x0.6)
16		SET SCREW (M4x15B)
17	416480301	MAIN CIRCUIT BOARD 1.0
17	416480302	MAIN CIRCUIT BOARD 1.5
18	416480401	SWITCH RECEPTACLE ASS'Y -EU
18	416480402	SWITCH RECEPTACLE ASS'Y - US
19		SET SCREW (M3x8B)
20		CONTROLLER RECEPTACLE
21		RECEPTACLE HOLDER
22	68006114	FOOT CONTROLLER (C-9002)
23		CORD CLIP (L=12)
24		CORD CLIP (L=20)
25	416419802	POWER CORD (120V) - US
25	416419702	POWER CORD (230V) - EU
25	416420002	POWER CORD (240V) SAA
25		POWER CORD (240V) UK
26	68003801	DC MOTOR COMPLETE
27		MOTOR WHEEL
28		MOTOR BRACKET
29		INSULATION SPACER
30		INSULATION SPACER
31		SET SCREW (M3x10)
32		WASHER(5.4x10x0.9)
33		SPRING WASHER (5.1x9.2x1.3)
34		SET SCREW (M5x12)
35		HANDLE
36		SET SCREW M4x50
37		DC MOTOR LEAD CORD
38		E-RING (ETW-4)
39		ELECTRIC WIRE PRESS BOARD
40		SCREW (M3x8.5)
#1	416480801	BOBBIN WINDER COMPLETE

H



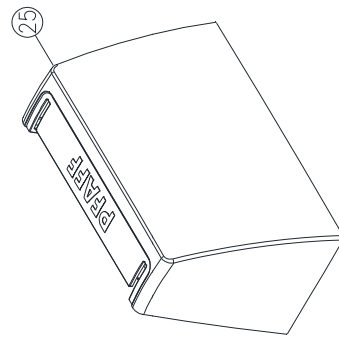
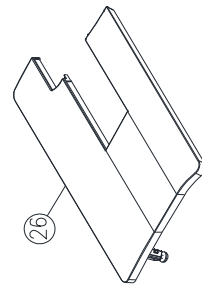
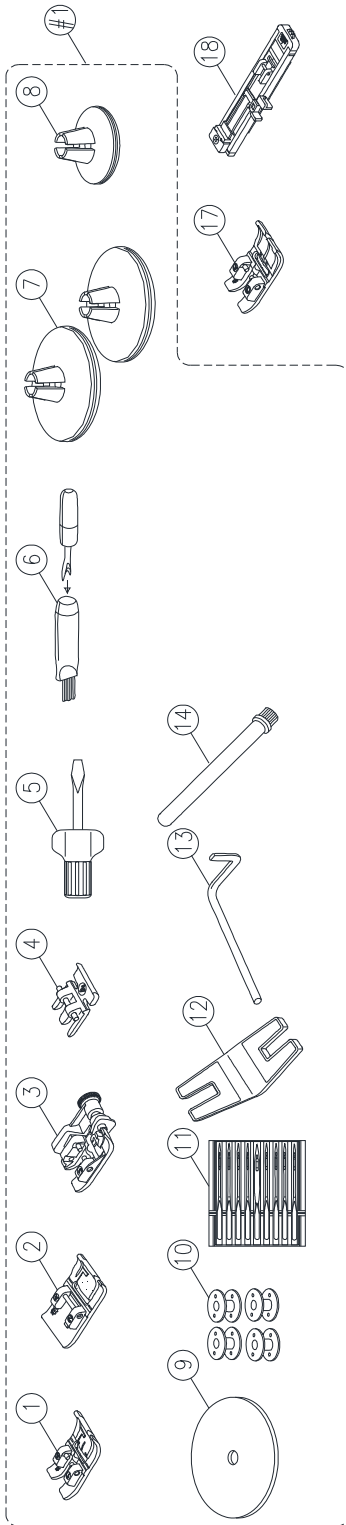
No.	Part No.	Description
1		FACE PLATE
2	416172501	THREAD CUTTER
3		FACE CUTTER PLATE
4		FACE PANEL 1.0
4		FACE PANEL 1.5
5		FRONT COVER
6		SLIDE VOLUME LEVER
7		SLIDE VOLUME KNOB CONNECTOR
8		SLIDE VOLUME
9		CORD REEL COVER
10		ROW LINE US Version
10		ROW LINE EU & Australia
11	416481701	START/STOP REVERSE PUSH BUTTON
12	416481801	KEY PLATE
13		SET SCREW M3x8B
14		LED LAMP PLATE
15		LIGHT CASE
16		LIGHT COVER
17	416497801	LCD - MAIN CIRCUIT BOARD 1.0
17	416514801	LCD -MAIN CIRCUIT BOARD 1.5
18		PLATE 1.0
18		PLATE 1.5
19		ARM TOP COVER THREAD GUIDE PLATE
20		SET SCREW M4x8A
21		BACK COVER - USA
21		BACK COVER - EU
22		SET SCREW (M3x8.5)
23		BACK PLATE
24		SET SCREW (M4x6B)
25		SET SCREW (M4x12B)
26		SET SCREW (M4x12B)
27		SET SCREW (M3x8)
28		FRONT PLATE
29		CAPS
30		FREE ARM BASE
31		LED LAMP LINE
32		SET SCREW (M2.5x6)



No.	Part No.	Description
1		FREE ARM FOOT BUSH
2		SET SCREW M3x8
3	416585701	ACCESSORIES FOOT
4		SEWING TABLE BODY GUIDE
5		SEWING TABLE BODY GUIDE SPRING
6		SEWING TABLE BODY
7		SET SCREW M4x12B
8	416586101	BOBBIN FOOT
9		TOP PLATE USE 416483101
10		TOP COVER
11	416482701	SPOOL ROD
12		SET SCREW M3x8.5
14		NUT (M3 T=2.)
15		SET SCREW (M3x12B)
16		THREAD GUIDE
17		SET SCREW M3x8
18		BOBBIN WINDER THREAD GUIDE ADJUSTING
19		BOBBIN WINDER THREAD GUIDE
20		BOBBIN WINDER THREAD GUIDE SPRING
21		BOBBIN WINDER SPRING DISC
22		SPACER
23		E-RING ETW-3
24		THREAD GUIDE COMPLETE
25		NOISE ELIMINATION CUSHION
26		TOP COVER PIN
27		SEWING TABLE BODY FELT
28		SPOOL PLATE
29		SEWING TABLE BODY COVER (FRONT)
30		SEWING TABLE BODY COVER (BACK)
31	416172501	THREAD CUTTER
32		ROLL CUT
33		TOUCH PEN 1.5
34		THREAD GUIDE
35		SEWING TABLE COMPLETE
36		TOP PLATE COMPLETE
37		STITCH DECAL 1.0
37		STITCH DECAL 1.5

J

STANDARD ACCESSORIES



No.	Part No.	Description
#1	416743901	ACCESSORY COMPLETE
1	820774096	FANCY STITCHES FOOT
2	413060501	FANCY STITCHES FOOT
3	820256096	BLINDHEM FOOT
4	820248096	ZIPPER FOOT
5	412381501	SCREWDRIVER
6	416691401	BRUSH/SEAM RIPPER
7	412371102	SPOOL HOLDER (LARGE)
8	412371101	SPOOL HOLDER (SMALL)
9	412610701	FELT PAD
10	821038096	BOBBIN
11	620098796	PACK OF NEEDLE
12	416483601	CLEARANCE PLATE
13	416483701	EDGE/QUILTING GUIDE
14	416483801	SPOOL PIN
17	820773096	ALL PURPOSE FOOT
18	68006098	BUTTONHOLE FOOT (5B)
25	416488201	HARD CASE COMPLETE
26	821001096	SEWING TABLE COMPLETE