

PFAFF®

admire air 7000

Ersatzteile-Liste
List of spare parts
Liste des pièces détachées
Catalogo pezzi staccati
Lista de piezas de repuesto



Please note that on disposal, this product must be safely recycled in accordance with relevant National legislation relating to electrical/electronic products. If in doubt please contact your retailer for guidance.

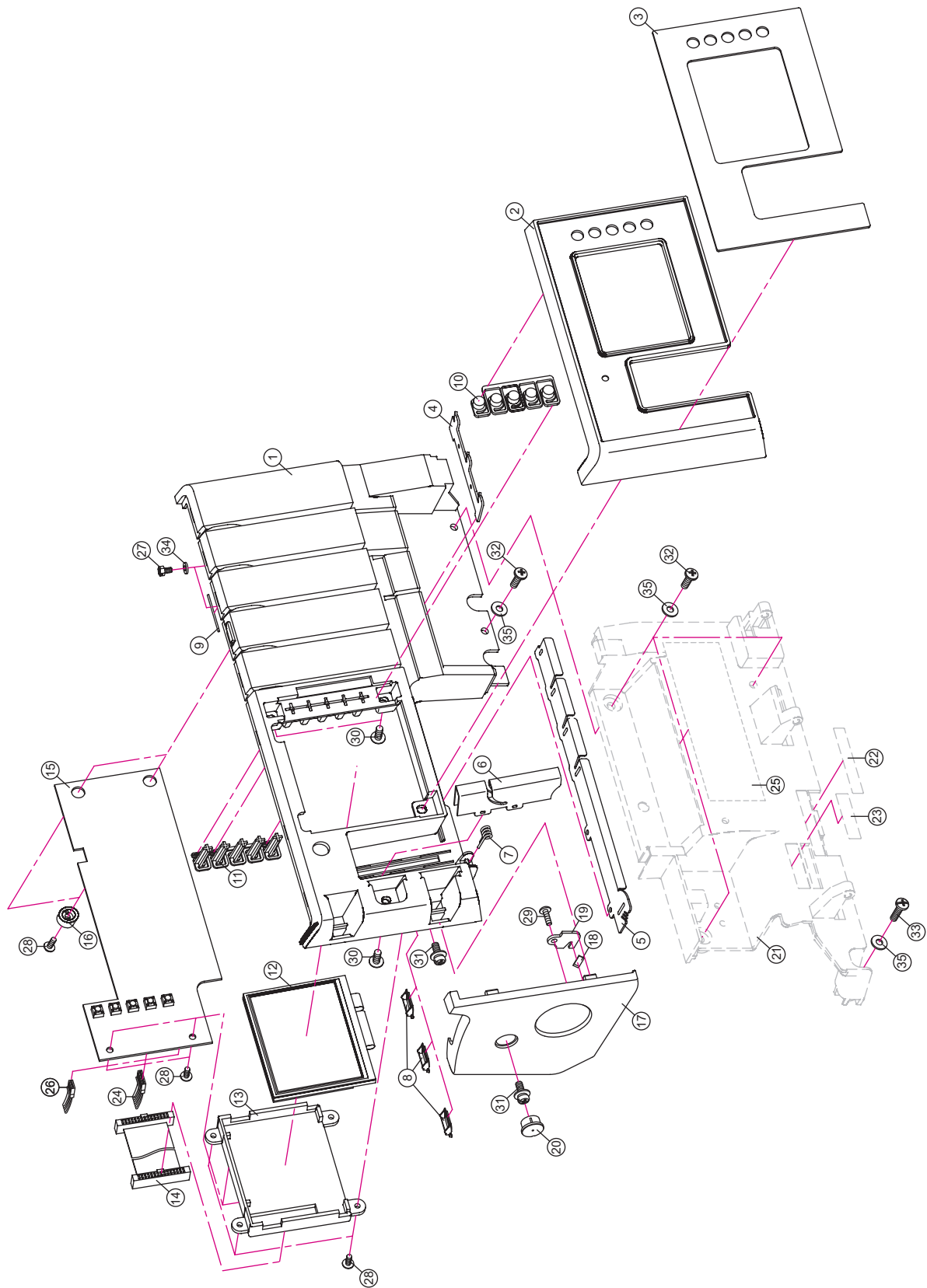


Bitte beachten Sie, dass hinsichtlich der Entsorgung dieses Produkts, vorschriftsmäßig entsprechend der gültigen nationalen Gesetzgebung für elektrische/elektronische Produkte, recycelt werden muss. Bei Zweifel setzen Sie sich bitte mit Ihrem Fachhändler in Verbindung.

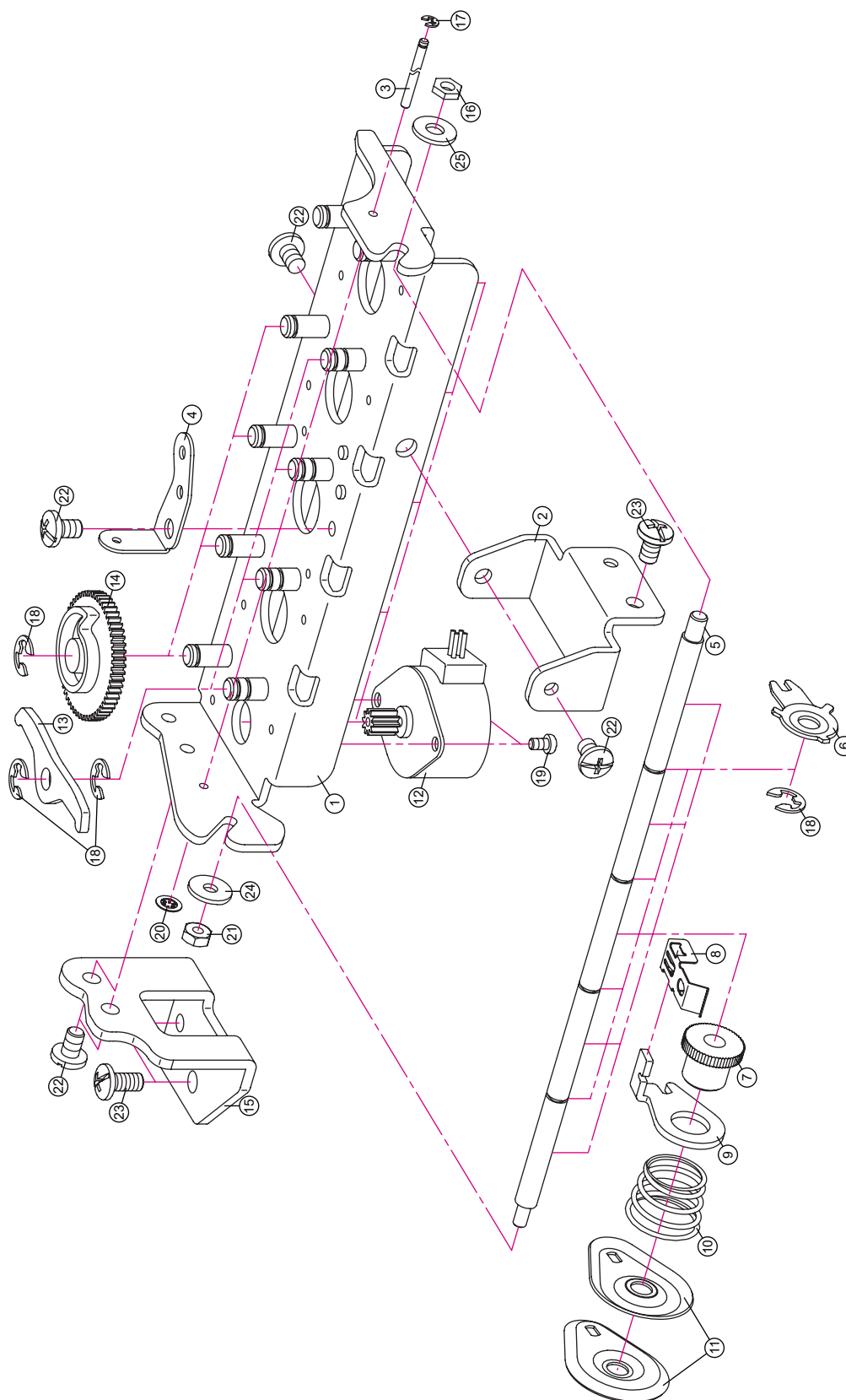


Veuillez noter qu'en cas de destruction, ce produit doit bénéficier d'un recyclage sécurisé, conforme à la législation nationale applicable aux produits électriques/électroniques. En cas de doute, veuillez contacter votre distributeur agréé.

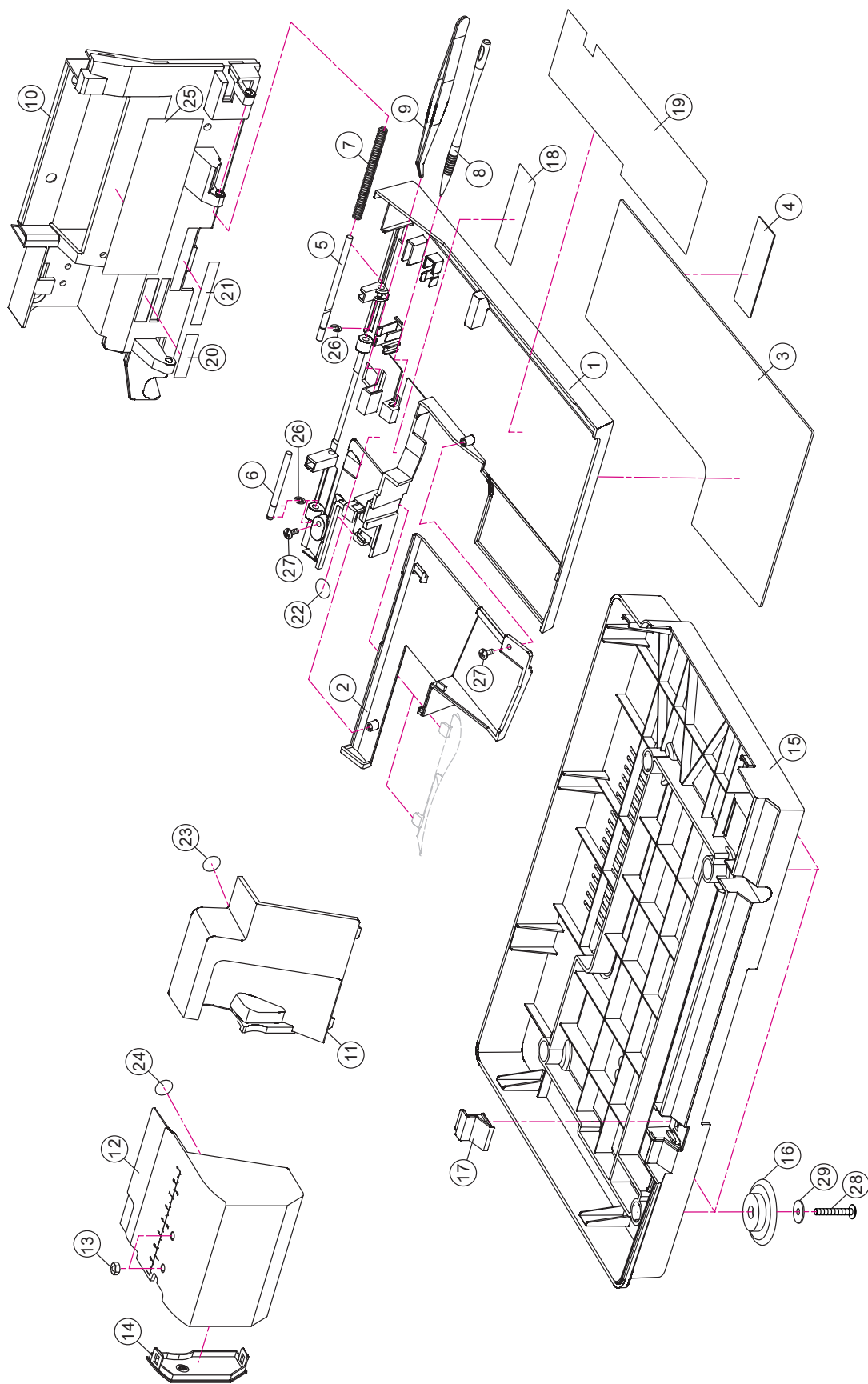
- All casted parts within our products are marked with name of material if allowed by size.
- All molded plastic parts within our products are marked with name of material if allowed by size.



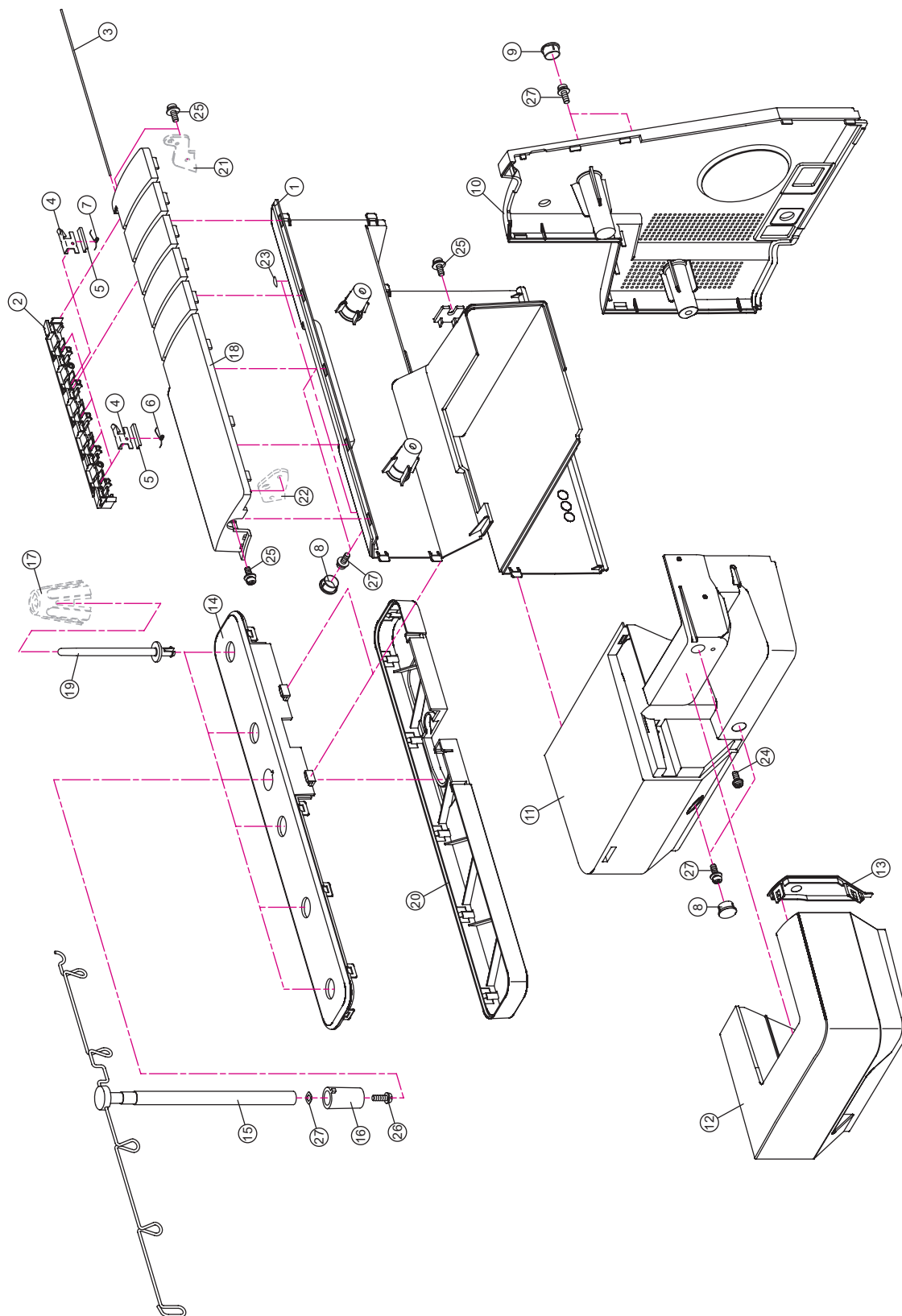
NO.	PART NO.	DESCRIPTION
1	68014579	FRONT COVER
2	68014305	FRONT COVER DECORATE PLATE A
3	68014307	FRONT COVER DECORATE PLATE B
4	68014581	THREAD GUIDE (D)
5	68014582	THREAD GUIDE (B)
6	68014583	THREAD TAKE-UP COVER GUIDE
7	68014584	THREAD GUIDE (C)
8	68017952	SHIELDING PLATE
9	68014587	THREAD GUIDE (C)
10	68014300	LCD FUNCTION BUTTON
11	68017953	LCD FUNCTION BUTTON TOUCHING EXTENSION LEVER
12	68014284	TOUCH PANEL
13	68017954	LCD FIXED HOUSING
14	68017958	WIRE
15	68014286	CONTROL BOARD
16	416376901	MAIN BOARD CAP
17	68014590	BULB COVER
18	416359601	THREAD CUTTING
19	416373401	KNIFE HOLDER CAP
20	68017959	SCREW CAP
21	68014278	THREADING COVER
22	68017960	STICKER
23	68017962	STICKER
24	68017967	PCB CABLE
25	68017968	STICKER (ONLY FOR USA AND CANADA)
26	68017846	SOFTWARE CABLE
27	68017969	SET SCREW
28	68017970	SET SCREW
29	68017971	SET SCREW
30	68014572	SET SCREW
31	68017973	SET SCREW
32	68016497	SET SCREW
33	68016498	SET SCREW
34	68016499	WASHER
35	68016525	WASHER
36	68016526	FRONT COVER SET (NO. 1, 2, 3, 4, 5, 6, 7, 8, 9, 10, 11, 12, 13, 14, 15, 16, 27, 28, 30, 34)
37	68016865	BULB COVER SET (NO. 17, 18, 19, 29)



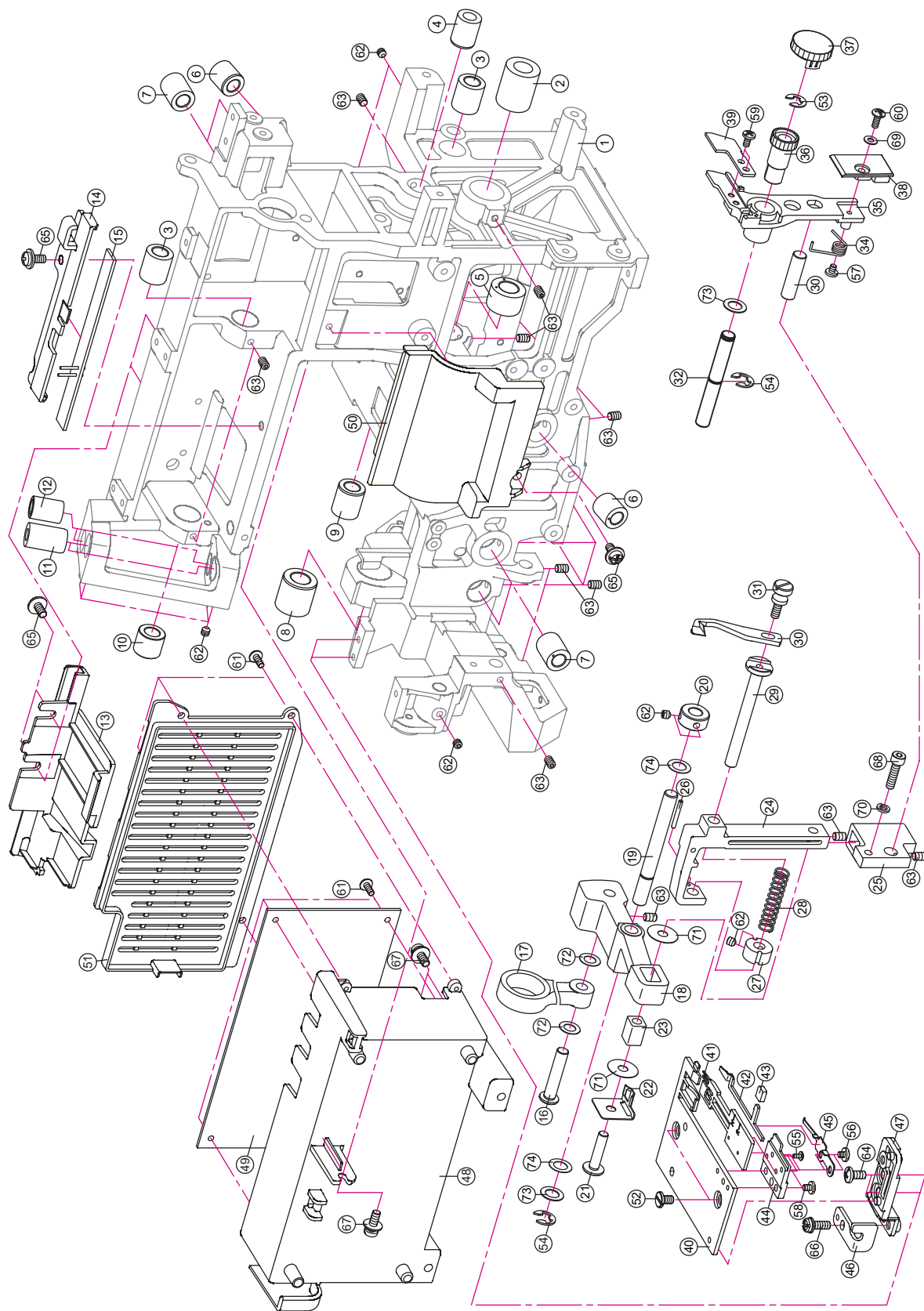
NO.	PART NO.	DESCRIPTION
1	68016866	TENSION CAM HOLDER SET
2	68016867	TENSION CAM HOLDER PLATE
3	68016968	TENSION DISC LOCATED SHAFT
4	68016969	TENSION DISC LOCATED SHAFT HOLDER
5	68016970	TENSION DISC MAIN SHAFT
6	416379701	TENSION DISK LOCATING HOLDER
7	416379401	TENSION REGULATE SCREW
8	416379601	TENSION REGULATE SCREW PRESSER
9	416379501	TENSION REGULATE NUT A
10	416359801	TENSION SPRING
11	416359901	TENSION DISC
12	68014206	STEPPING MOTOR FOR LOOPER
12	68014276	STEPPING MOTOR FOR A/B NEEDLE
13	416379201	TENSION LEVER ARM
14	416379301	TENSION CAM A
15	68016973	TENSION CAM HOLDER PLATE
16	416370801	NUT
17	68016975	E RING
18	68016976	E RING
19	68016979	SET SCREW
20	68017029	NUT
21	68017031	NUT
22	68017033	SET SCREW
23	68017035	SET SCREW
24	68017036	WASHER
25	68016525	WASHER



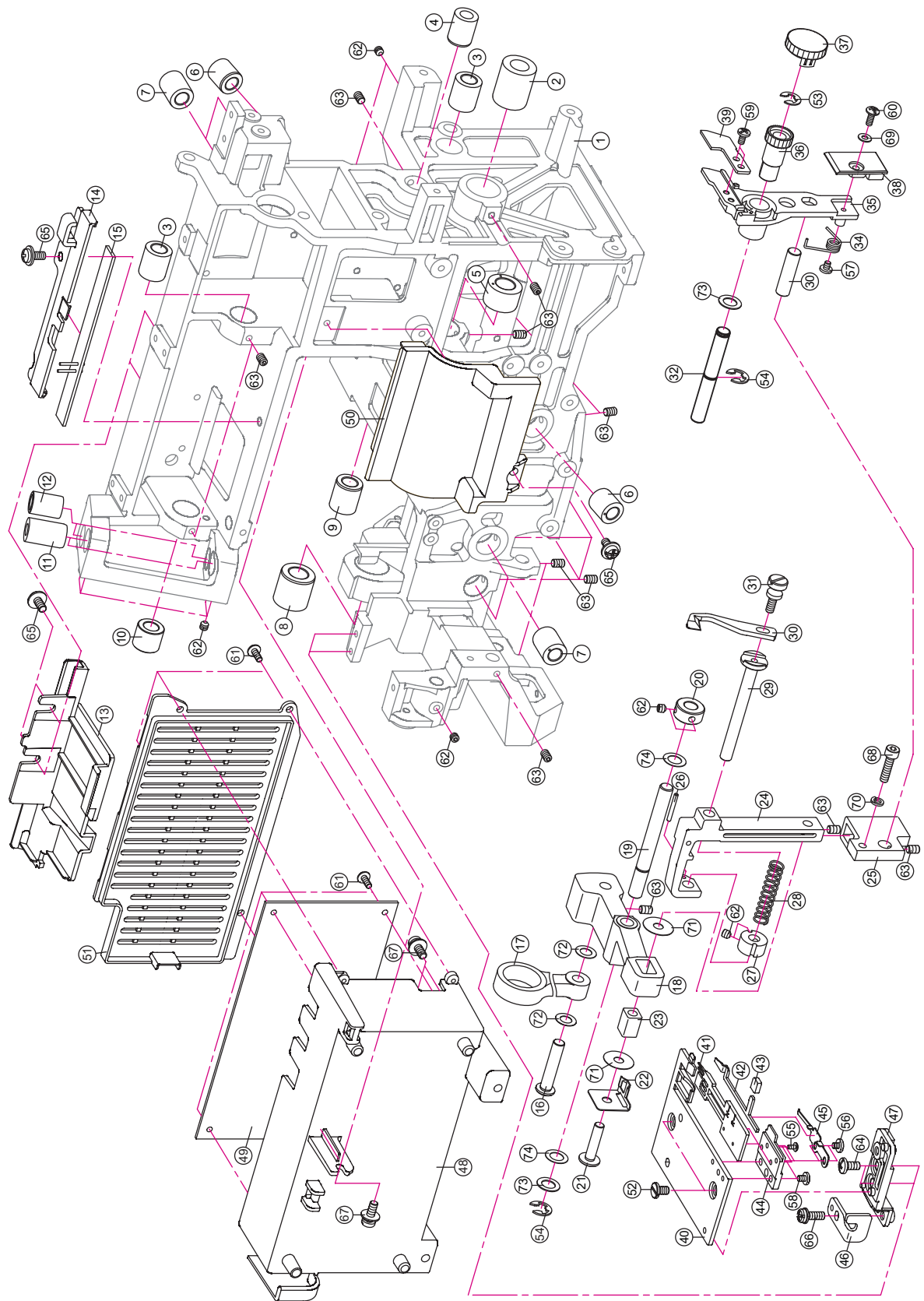
NO.	PART NO.	DESCRIPTION
1	68017661	LOOPER COVER (USE 68014329 OR 68017832 LOOPER COVER SET)
2	68017810	LOOPER COVER DECORATE PLATE A (USE 68014329 OR 68017832 LOOPER COVER SET)
3	68017822	LOOPER COVER DECORATE PLATE B (USE 68014329 OR 68017832 LOOPER COVER SET)
4	68017825	LOGO PLATE (USE 68014329 OR 68017832 LOOPER COVER SET)
5	68017839	LOOPER COVER HINGE SHAFT A (USE 68014329 OR 68017832 LOOPER COVER SET)
6	68017849	LOOPER COVER HINGE SHAFT B (USE 68014329 OR 68017832 LOOPER COVER SET)
7	68017853	LOOPER COVER HINGE SPRING (USE 68014329 OR 68017832 LOOPER COVER SET)
8	68017855	STYLUS
9	68017856	TWEEZERS
10	68014278	THREADING COVER (USE 68014315 OR 68017840 THREADING COVER SET)
11	68014316	CUTTER COVER (A)
12	68017858	COVERSTITCH TABLE (B) (NO. 12, 13) (USE 68014314 COVERSTITCH TABLE (B) SET)
13	68017876	NUT (USE 68014314 COVERSTITCH TABLE (B) SET)
14	68017877	CUTTER COVER (B) ATTACHED PLATE (USE 68014314 COVERSTITCH TABLE (B) SET)
15	68014592	BASE PLATE
16	68014277	RUBBER
17	68017878	BASE COVER SCREW CAP
18	68017879	STICKER
19	68017879	STICKER
20	68017962	STICKER
21	68017960	STICKER
22	68017886	STICKER
23	68017910	STICKER
24	68017911	STICKER
25	68017968	STICKER (ONLY FOR USA AND CANADA)
26	68017912	E RING
27	68017970	SET SCREW
28	68017913	SET SCREW
29	68017914	WASHER
30	68014329	LOOPER COVER SET (NO. 1, 2, 3, 4, 5, 6, 7, 8, 9, 10, 18, 19, 20, 21, 22, 25, 26, 27) (ONLY FOR USA AND CANADA)
31	68017832	LOOPER COVER SET (NO. 1, 2, 3, 4, 5, 6, 7, 8, 9, 10, 18, 19, 20, 21, 22, 26, 27)
32	68014315	THREADING COVER SET (NO. 10, 20, 21, 25) (ONLY FOR USA AND CANADA)
33	68017840	THREADING COVER SET (NO. 10, 20, 21)
34	68017847	CUTTER COVER (A) SET (NO. 11, 23)
35	68014314	COVERSTITCH TABLE (B) SET (NO. 12, 13, 14, 24)



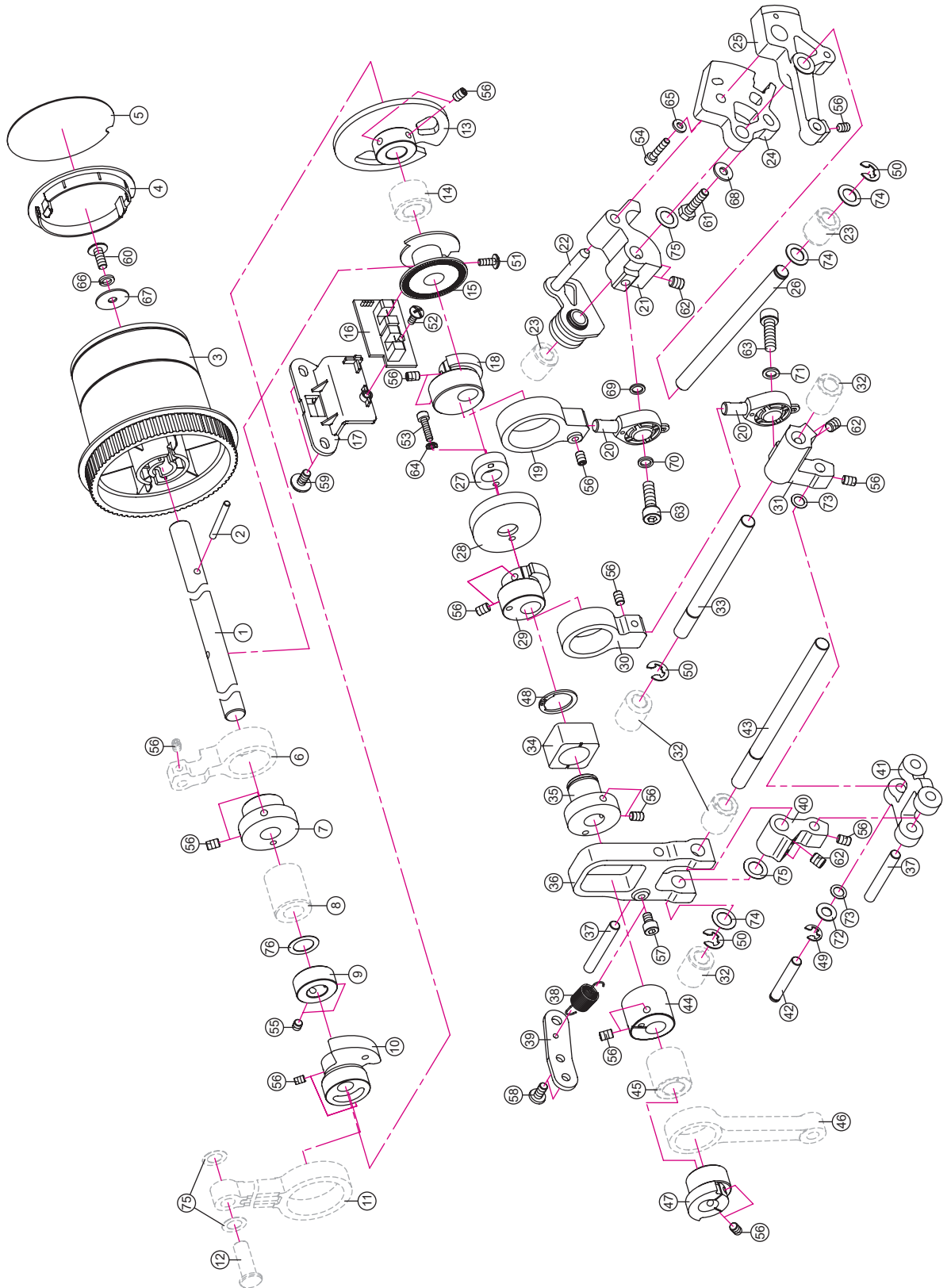
NO.	PART NO.	DESCRIPTION
1	68017918	BACK COVER
2	68017919	TENSION GUIDE A COVER (USE 68014321 TOP COVER SET)
3	68017920	THREAD GUIDE A (USE 68014321 TOP COVER SET)
4	68017921	THREAD GUIDE A (USE 68014321 TOP COVER SET)
5	68017922	THREAD GUIDE A SPRING HOLDER (USE 68014321 TOP COVER SET)
6	68017923	THREAD GUIDE A SPRING (USE 68014321 TOP COVER SET)
7	68017925	THREAD GUIDE A SPRING (USE 68014321 TOP COVER SET)
8	68017926	SCREW CAP
9	68017959	SCREW CAP
10	68014327	SIDE COVER
11	68014325	EXTENSION TABLE
12	68017927	ATTACHED EXTENSION TABLE (USE 68014317 ATTACHED EXTENSION TABLE SET)
13	68017929	ATTACHED EXTENSION TABLE ATTACHED PLATE (USE 68014317 ATTACHED EXTENSION TABLE SET)
14	68017930	UPPER SPOOL STAND (USE 68017710 SPOOL STAND SET)
15	68017931	TELESCOPIC THREAD STAND (USE 68014318 TELESCOPIC THREAD STAND SET)
16	68017932	EXTENSION BAR SETTING (USE 68014318 TELESCOPIC THREAD STAND SET)
17	416360701	SPOOL HOLDER
18	68017934	TOP COVER (USE 68014321 TOP COVER SET)
19	68014328	SPOOL PIN
20	68017933	LOWER SPOOL STAND (USE 68017710 SPOOL STAND SET)
21	68017935	HANDLE SUPPORTER (R) SET
22	68017936	PRESSER BAR REGULATE HOLDER SET
23	68017937	CUSHION
24	68017939	SET SCREW
25	68017973	SET SCREW
26	68017938	SET SCREW (USE 68014318 TELESCOPIC THREAD STAND SET)
27	68017940	SET SCREW
28	68017942	WAVE WASHER (USE 68014318 TELESCOPIC THREAD STAND SET)
29	68014317	ATTACHED EXTENSION TABLE SET (NO. 12, 13)
30	68014318	TELESCOPIC THREAD STAND SET (NO. 15, 16, 26, 28)
31	68017710	SPOOL STAND SET (NO. 14, 19, 20)
32	68014321	TOP COVER SET (NO. 2, 3, 4, 5, 6, 7, 18)



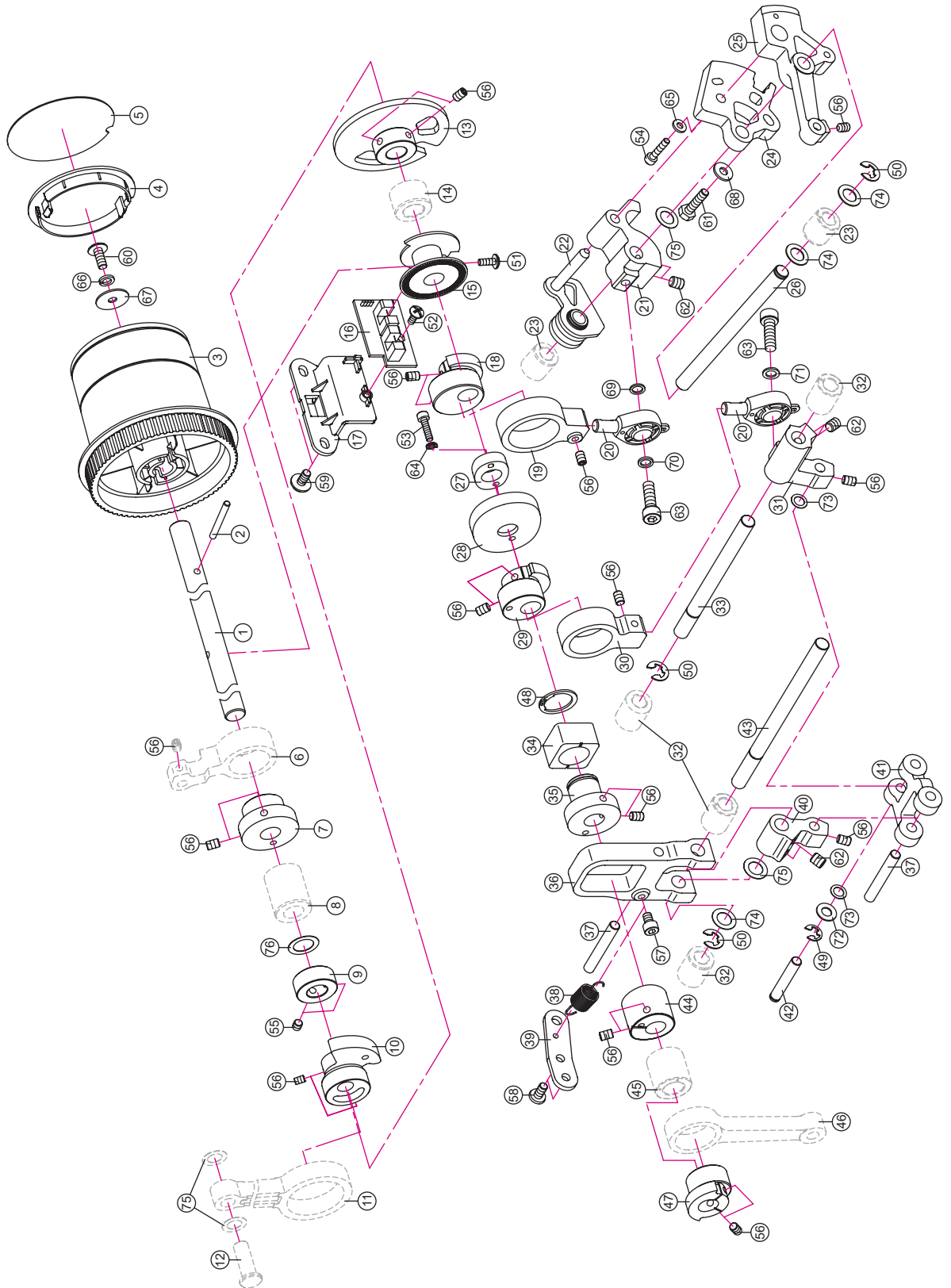
NO.	PART NO.	DESCRIPTION
1	68017568	MACHINE FRAME
2	416362901	BUSHING
3	68017713	BUSHING
4	68017821	BUSHING
5	68017974	BUSHING
6	68017977	BUSHING
7	68017978	BUSHING
8	68017979	BUSHING
9	68017981	BUSHING
10	68017982	BUSHING
11	68017985	BUSHING
12	416815101	BUSHING
13	68017987	FRAME COVER
14	68017988	LED HOLDER B
15	68014339	LED PCB SET
16	68017989	UPPER CUTTER LINK PIN
17	68017990	UPPER CUTTER LINK
18	68017991	UPPER CUTTER DRIVE ARM
19	68017992	UPPER CUTTER DRIVE ARM SHAFT
20	68017993	SETTING COLLAR
21	68017996	UPPER CUTTER ARM SLIDE BLOCK PIN
22	68017998	UPPER KNIFE ARM SPRING
23	68017999	UPPER CUTTER ARM SLIDE BLOCK
24	68018000	UPPER CUTTER ARM
25	68018001	UPPER CUTTER SLIDE HOLDER
26	68018002	PIN
27	68018003	UPPER CUTTER SETTING COLLAR
28	68018004	UPPER CUTTER SPRING
29	68018005	UPPER CUTTER HOLDER
30	68014356	UPPER CUTTER
31	68014357	SET SCREW
32	68018006	LOWER CUTTER HOLDER SHAFT
33	68018007	SLIDE HOLDER LOCATED SHAFT
34	68018008	LOWER CUTTER HOLDER SPRING
35	68018010	LOWER KNIFE HOLDER (USE 68014364 LOWER KNIFE HOLDER SET)
36	68018011	LOWER CUTTER REGULATE SCREW (USE 68014364 LOWER KNIFE HOLDER SET)
37	68014358	CUTTING WIDTH KNOB
38	68018013	UPPER KNIFE SET COVER
39	68014359	LOWER KNIFE
40	68018014	STITCH PLATE (USE 68014365 STITCH PLATE SET)
41	68018015	FIXED LEVER (USE 68014365 STITCH PLATE SET)
42	68018016	MOVING LEVER (USE 68014365 STITCH PLATE SET)
43	68014361	MOVING LEVER COVER
44	68018017	STITCH PLATE SETTING BOARD (USE 68014365 STITCH PLATE SET)
45	68018018	MOVING LEVER SLIDE HOLDER (USE 68014365 STITCH PLATE SET)
46	68018019	FRONT FEED DOG GUIDE BOARD
47	68018020	STITCH PLATE SETTING BOARD
48	68018021	POWER PC BOARD BOX
49	68014362	POWER PC BOARD
50	68018022	WIRES CLAPBOARD



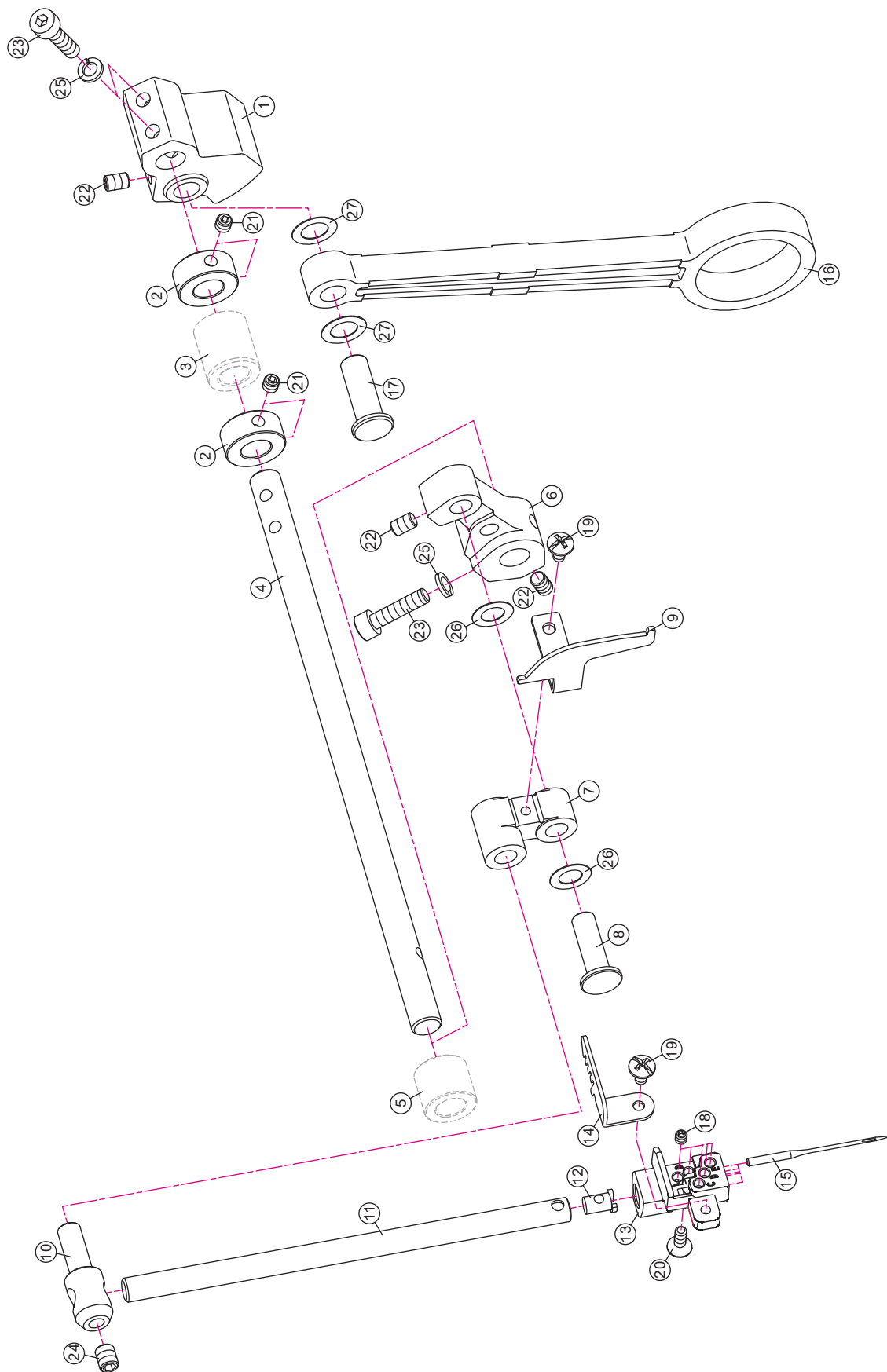
NO.	PART NO.	DESCRIPTION
51	68018023	PCB BOX COVER
52	416427301	SET SCREW
53	68018024	E RING
54	68018027	E RING
55	68018029	SET SCREW (USE 68014365 STITCH PLATE SET)
56	68018030	SET SCREW (USE 68014365 STITCH PLATE SET)
57	68018032	SET SCREW
58	68018036	SET SCREW (USE 68014365 STITCH PLATE SET)
59	68014360	SET SCREW
60	68018039	SET SCREW
61	68017970	SET SCREW
62	68018040	SET SCREW
63	68018041	SET SCREW
64	68017035	SET SCREW
65	68018042	SET SCREW
66	68018053	SET SCREW
67	68017973	SET SCREW
68	68018059	SET SCREW
69	68018061	WASHER
70	68018065	SPRING WASHER
71	68018069	WASHER
72	68018070	WASHER
73	68018071	WASHER
74	68018072	WASHER
75	68018076	UPPER CUTTER DRIVE ARM SET (NO. 18, 63)
76	68018086	SETTING COLLAR SET (NO. 20, 62)
77	68018089	UPPER CUTTER ARM SET (NO. 24, 63)
78	68018090	UPPER CUTTER SLIDE HOLDER SET (NO. 25, 63)
79	68018092	UPPER CUTTER SETTING COLLAR SET (NO. 27, 62)
80	68014364	LOWER KNIFE HOLDER SET (NO. 35, 36)
81	68014365	STITCH PLATE SET (NO. 40, 41, 42, 44, 45, 55, 56, 58)



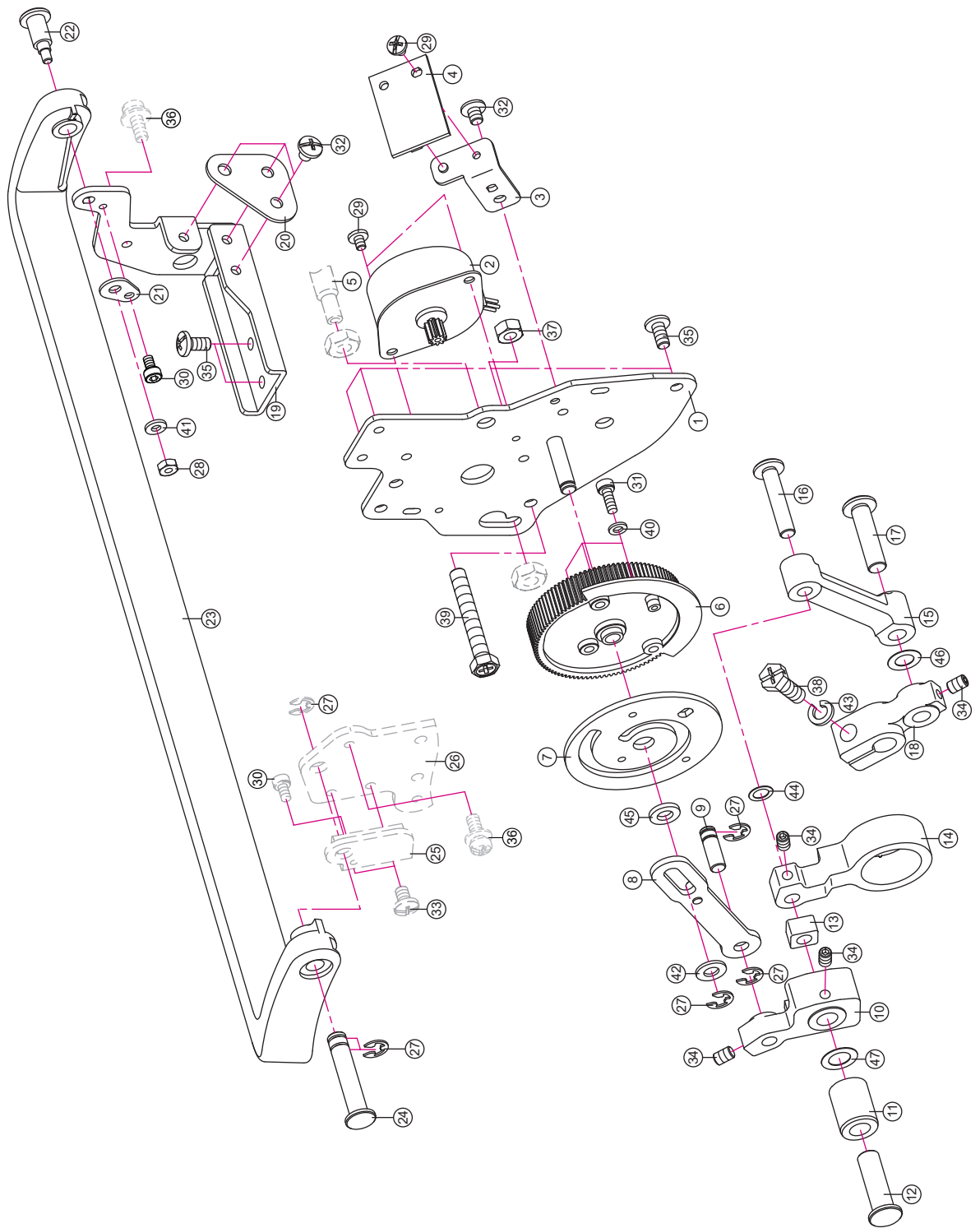
NO.	PART NO.	DESCRIPTION
1	68018102	MAIN SHAFT
2	68018103	PIN
3	68014595	HAND WHEEL
4	68014597	HANDWHEEL CAP
5	68014599	HANDWHEEL CAP DECORATE PLATE
6	416817501	FEED DRIVING LEVER
7	68018104	FEED CAM
8	416362901	BUSHING
9	68018105	SETTING COLLAR
10	68018107	NEEDLE BAR CAM
11	68018109	NEEDLE BAR LINK
12	68018110	NEEDLE BAR LINK PIN
13	68018112	SETTING DISC SET
14	68017974	BUSHING
15	68018113	NEEDLE UP WHEEL
16	68014379	PHOTO INTERRUPTER BOARD SET
17	68018114	PHOTO INTERRUPTER BOARD HOLDER
18	416363101	LOOPER CAM (A)
19	68018116	UPPER LOOPER SHAKE LINK
20	416600201	BEARING
21	68018117	UPPER LOOPER SHAFT LINK
22	68018119	UPPER LOOPER SETTING SLIDE BOARD SET
23	68017977	BUSHING
24	68018120	UPPER LOOPER CONNECTING ARM SETTING BOARD
25	68018121	UPPER LOOPER CONNECTING ARM
26	68018122	UPPER LOOPER SHAFT
27	68018124	COVER LOOPER THREAD TAKE-UP LEVER CAM
28	68018125	COVER LOOPER THREAD TAKE-UP LEVER OUTER CAM
29	68018126	LOWER LOOPER CAM
30	68018127	LOWER LOOPER LINK (B)
31	68018128	COVER LOOPER CONNECTING ARM (A)
32	68017978	BUSHING
33	68018129	LOWER LOOPER SHAFT
34	68018130	FEED DOG SUPPORTER SLIDE BLOCK
35	68018131	FEED DOG CAM
36	68018132	AXIAL DRIVER
37	68018133	WAVER LINK PIN (B)
38	68018134	SPRING
39	68018135	AXIAL LOCATING BOARD
40	68018136	COVER LOOPER CONNECTING ARM (C)
41	68018137	COVER LOOPER CONNECTING ARM (B)
42	68018138	COVER LOOPER DRIVE BAR PIN (A)
43	68018141	COVER LOOPER SHAFT
44	68018142	COVER LOOPER CAM
45	68018143	BUSHING
46	68017990	UPPER CUTTER LINK
47	68018144	UPPER CUTTER CAM
48	68018145	RING
49	68016976	E RING
50	68018024	E RING
51	68016179	SET SCREW
52	68017970	SET SCREW
53	68018146	SET SCREW
54	68018147	SET SCREW
55	68018040	SET SCREW
56	68018041	SET SCREW



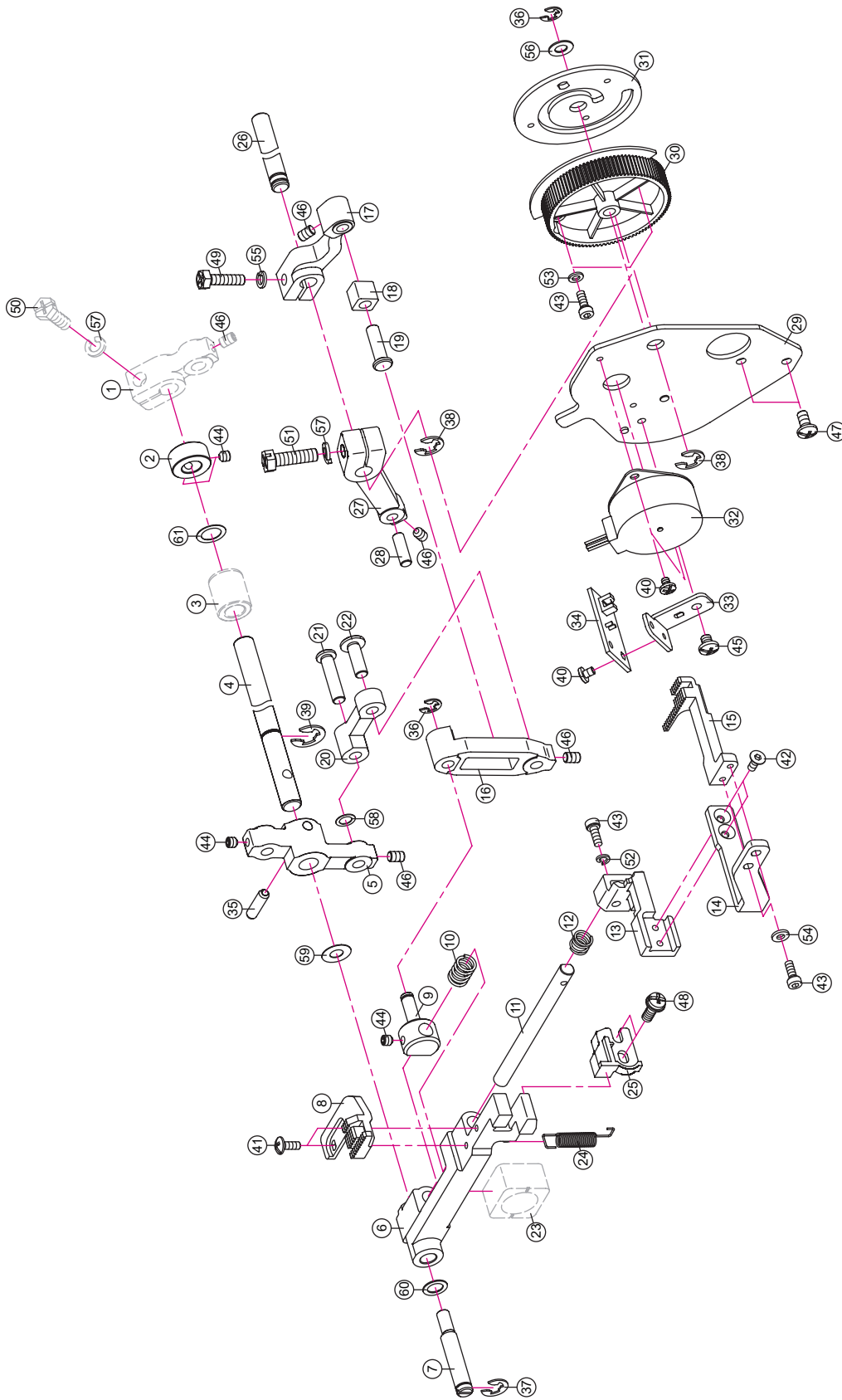
NO.	PART NO.	DESCRIPTION
57	68018148	SET SCREW
58	68017035	SET SCREW
59	68018042	SET SCREW
60	68018149	SET SCREW
61	68018150	SET SCREW
62	68018151	SET SCREW
63	68018152	SET SCREW
64	68018153	WASHER
65	68016499	WASHER
66	68018065	WASHER
67	68014573	WASHER
68	68016525	WASHER
69	68018156	WASHER
70	68018157	WASHER
71	68018158	WASHER
72	68018159	WASHER
73	68018160	WASHER
74	68018071	WASHER
75	68018072	WASHER
76	68018161	WASHER
77	416818401	FEED DRIVING LEVER SET (NO. 6, 56)
78	416818901	FEED CAM SET (NO. 7, 56)
79	68018162	SETTING COLLAR SET (NO. 9, 55)
80	68018163	NEEDLE BAR CAM SET (NO. 10, 56)
81	68018164	SETTING DISC SET (NO. 13, 56)
82	68018165	LOOPER CAM (A) SET (NO. 18, 56)
83	68018166	UPPER LOOPER SHAKE LINK SET (NO. 19, 56)
84	68018167	UPPER LOOPER SHAFT LINK SET (NO. 21, 62)
85	68018168	UPPER LOOPER CONNECTING ARM SET (NO. 25, 56)
86	68018172	LOWER LOOPER CAM SET (NO. 29, 56)
87	68018174	LOWER LOOPER LINK (B) SET (NO. 30, 56)
88	68018175	COVER LOOPER CONNECTING ARM (A) SET (NO. 31, 56, 62)
89	68018176	FEED DOG CAM SET (NO. 35, 56)
90	68018177	COVER LOOPER CONNECTING ARM (C) SET (NO. 40, 56, 62)
91	68018178	COVER LOOPER CAM SET (NO. 44, 56)
92	68018179	UPPER CUTTER CAM SET (NO. 47, 56)



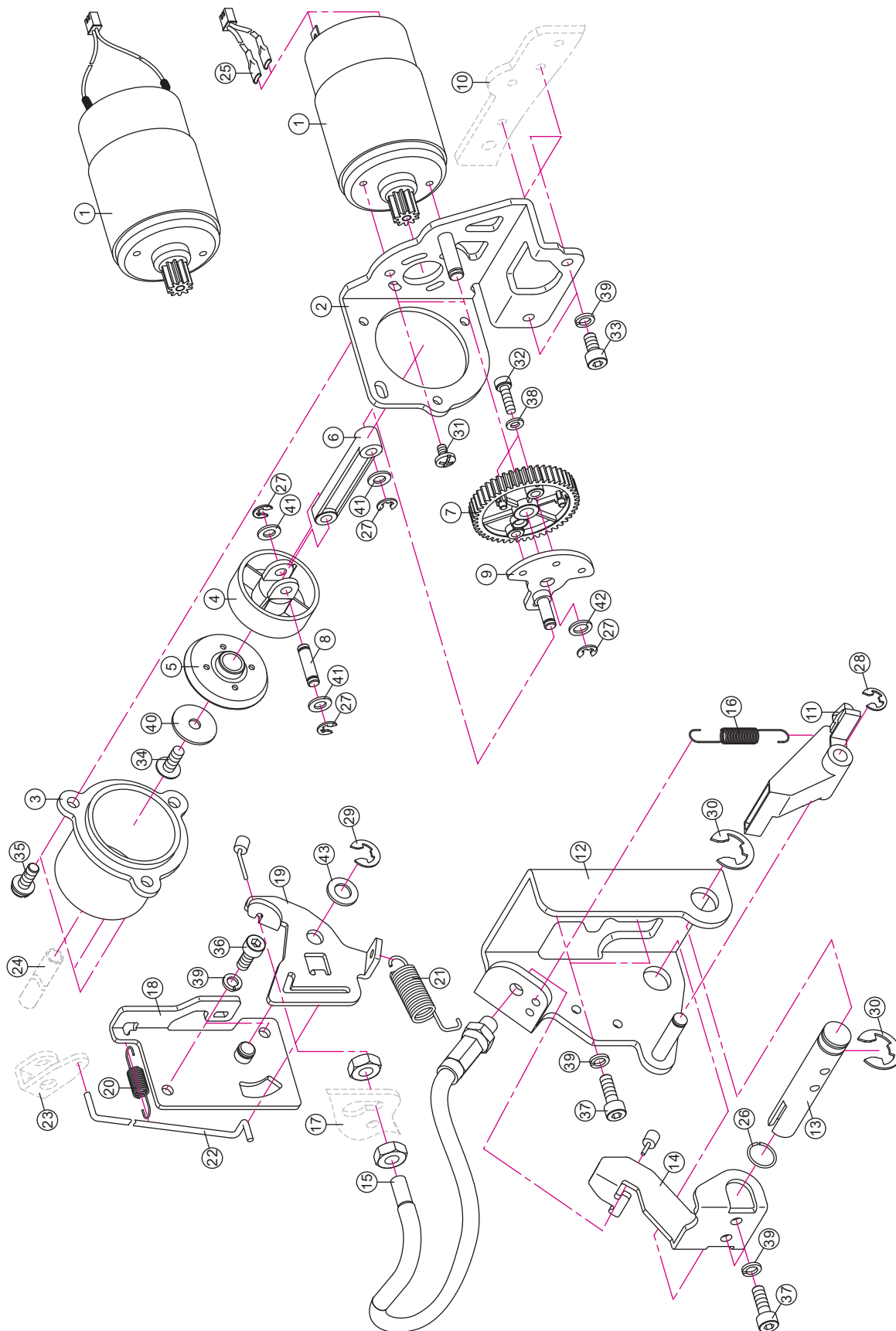
NO.	PART NO.	DESCRIPTION
1	68017034	NEEDLE BAR DRIVE LINK
2	68017038	SETTING COLLAR
3	68017713	BUSHING
4	68017984	NEEDLE BAR DRIVE LINK SHAFT
5	68017982	BUSHING
6	68017995	NEEDLE BAR DRIVE LINK (L)
7	68018009	NEEDLE BAR CONNECTING ARM
8	68018012	NEEDLE BAR LINK PIN
9	68018025	NEEDLE BAR THREAD TAKE-UP LEVER
10	416295801	NEEDLE BAR SETTING LINK
11	416819101	NEEDLE BAR (USE 68014600 NEEDLE BAR SET)
12	68018035	NEEDLE CLAMP NUT (USE 68014600 NEEDLE BAR SET)
13	68014601	NEEDLE CLAMP
14	68018037	NEEDLE CLAMP THREAD GUIDE (USE 68014600 NEEDLE BAR SET)
15	68013284	NEEDLE
16	68018109	NEEDLE BAR LINK
17	68018110	NEEDLE BAR LINK PIN
18	416365901	SET SCREW
19	68018039	SET SCREW (USE 68014600 NEEDLE BAR SET)
20	68018060	SET SCREW (USE 68014600 NEEDLE BAR SET)
21	68018040	SET SCREW
22	68018041	SET SCREW
23	68018059	SET SCREW
24	68018151	SET SCREW
25	68018065	WASHER
26	68018070	WASHER
27	68018072	WASHER
28	68018062	NEEDLE BAR DRIVE LINK SET (NO. 1, 22)
29	416816101	SETTING COLLAR SET (NO. 2, 21)
30	68018255	NEEDLE BAR DRIVE LINK (L) SET (NO. 6, 22)
31	416819601	NEEDLE BAR SETTING LINK SET (NO. 10, 24)
32	68014600	NEEDLE BAR SET (NO. 11, 12, 13, 14, 18, 19, 20)
33	68018256	NEEDLE BAR SET (NO. 11, 12, 13, 14, 15, 18, 19, 20)



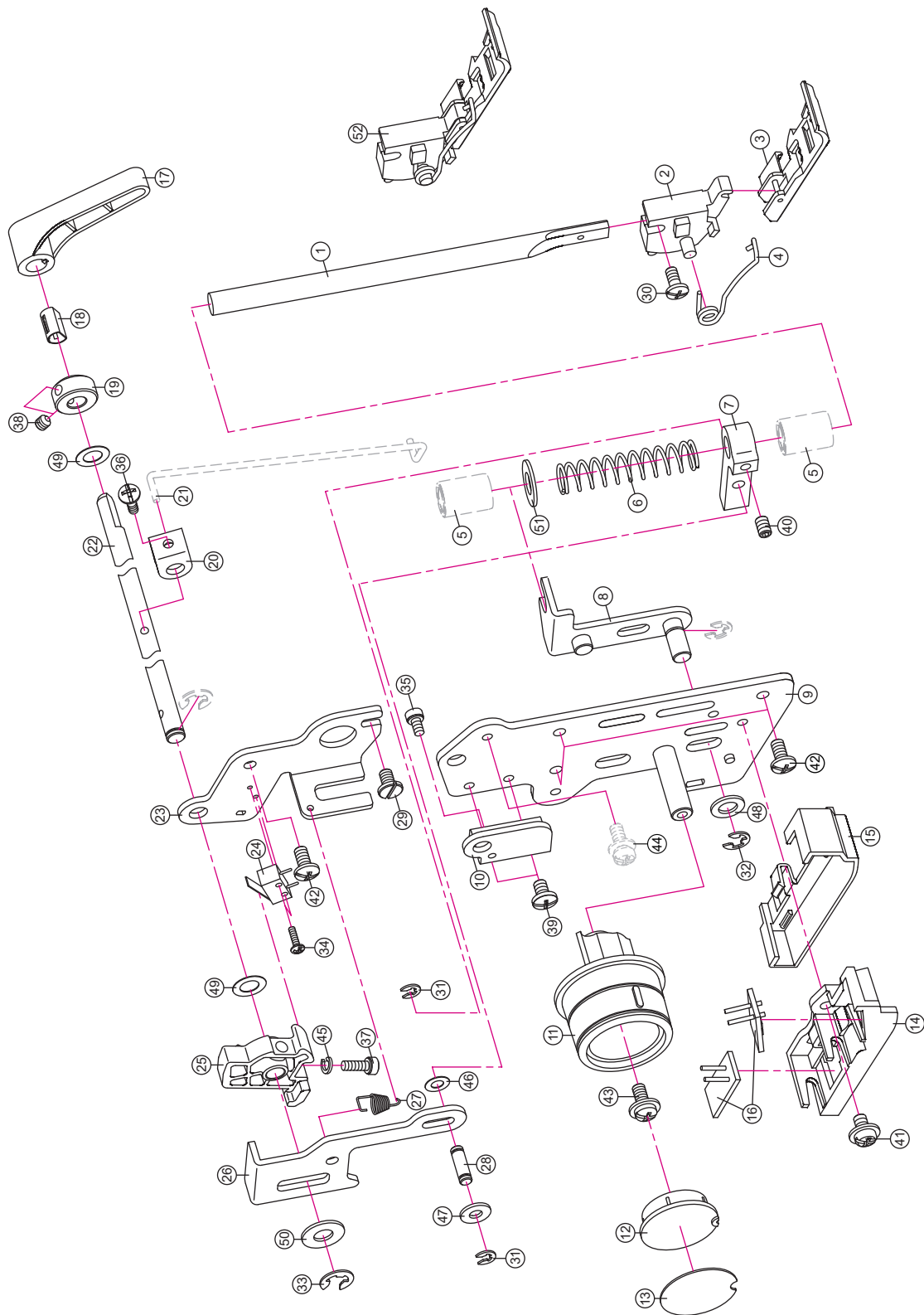
NO.	PART NO.	DESCRIPTION
1	68018265	FEED REGULATE HOLDER SET
2	68014605	STEPPING MOTOR
3	68018266	PHOTO INTERRUPTER BOARD HOLDER
4	68014609	PHOTO INTERRUPTER BOARD SET
5	68014393	WIRE ROPE SET
6	68018269	TRANSMISSION CAM HOLDER
7	68018270	TRANSMISSION CAM
8	68018271	FEED REGULATE LINK SET
9	68018276	FEED REGULATE LINK PIN
10	68018277	FEED SLIDE HOLDER
11	68017821	BUSHING
12	68018292	FEED REGULATE HOLDER SHAFT
13	416365401	FEED SLIDE BLOCK
14	416817501	FEED DRIVING LEVER
15	416817601	FEED SHAKE LINK
16	68018294	FEED DOG HOLDER PIN
17	416817901	FEED SHAKE LINK PIN
18	416817401	FEED LINK
19	68018295	HANDLE SUPPORTER (R)
20	68017935	HANDLE SUPPORTER (R) HOLDER
21	68018296	PLATE
22	68014610	HANDLE SUPPORTER PIN
23	68014611	HANDLE
24	68014614	HANDLE SUPPORTER PIN
25	68018297	HANDLE SUPPORTER
26	68017936	PRESSER BAR REGULATE HOLDER SET
27	68016976	E RING
28	68018298	NUT
29	68018032	SET SCREW
30	68018299	SET SCREW
31	68016178	SET SCREW
32	68018300	SET SCREW
33	68018301	SET SCREW
34	68018041	SET SCREW
35	68017035	SET SCREW
36	68017973	SET SCREW
37	68018302	NUT
38	68018303	SET SCREW
39	68018304	SET SCREW
40	68018305	WASHER
41	68016499	WASHER
42	68018307	WASHER
43	68018309	WASHER
44	68018160	WASHER
45	68018311	WASHER
46	68018070	WASHER
47	68018072	WASHER
48	68018312	FEED SLIDE HOLDER SET (NO. 10, 34)
49	416818401	FEED DRIVING LEVER SET (NO. 14, 34)
50	416818801	FEED LINK SET (NO. 18, 34, 38, 43)



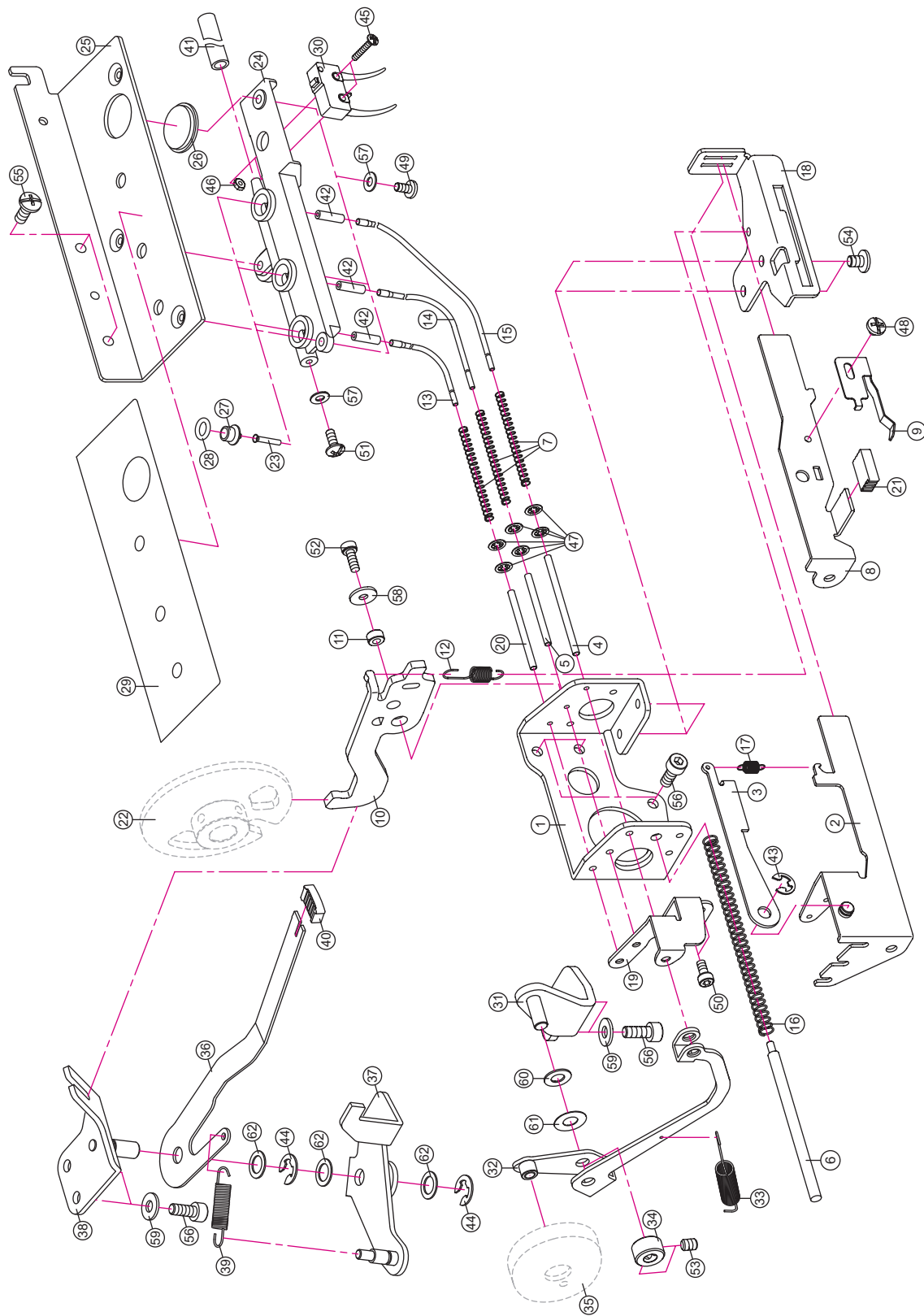
NO.	PART NO.	DESCRIPTION
1	416817401	FEED LINK
2	68017038	SETTING COLLAR
3	68017981	BUSHING
4	68018328	FEED DOG MOVEMENT LINK SHAFT
5	68018335	FEED DOG MOVEMENT LINK
6	68018343	FEED DOG HOLDER
7	68018345	ECCENTRIC PIN
8	68014615	FEED DOG (REAR)
9	68018347	FEED DOG DRIVING LEVER
10	68018348	SPRING
11	68018349	FEED DOG SHAFT
12	68018351	SPRING
13	68018352	FEED DOG HOLDER (FRONT)
14	68018353	FEED DOG SUPPORTER (FRONT)
15	68014616	FEED DOG (FRONT)
16	416369501	DIFFERENTIAL FEED SLIDE HOLDER
17	68018355	DIFFERENTIAL FEED REGULATED HOLDER
18	416369601	DIFFERENTIAL FEED SLIDE BLOCK
19	68018357	LOOPER SHAFT LINK PIN
20	68018359	DIFFERENTIAL FEED LINK
21	68018360	DIFFERENTIAL FEED LINK PIN
22	68018361	DIFFERENTIAL FEED LINK PIN
23	68018130	FEED DOG SUPPORTER SLIDE BLOCK
24	68018363	FEED DOG HOLDER SPRING
25	68018364	FEED DOG HOLDER GUIDE BOARD
26	68018365	DIFFERENTIAL FEED REGULATED SHAFT
27	68018366	DIFFERENTIAL FEED REGULATOR LINK
28	68018367	PIN
29	68018368	DIFFERENTIAL FEED HOLDER SET
30	68018269	TRANSMISSION CAM HOLDER
31	68018270	TRANSMISSION CAM
32	68014618	STEPPING MOTOR
33	68018266	PHOTO INTERRUPTER BOARD HOLDER
34	68014609	PHOTO INTERRUPTER BOARD SET
35	68018369	SPRING PIN
36	68016976	E RING
37	68018024	E RING
38	68018027	E RING
39	68018370	E RING
40	68018032	SET SCREW
41	68016179	SET SCREW
42	68018060	SET SCREW
43	68016178	SET SCREW
44	68018040	SET SCREW
45	68018300	SET SCREW
46	68018041	SET SCREW
47	68017035	SET SCREW
48	68018053	SET SCREW
49	68018059	SET SCREW
50	68018303	SET SCREW
51	68018372	SET SCREW
52	68018153	WASHER
53	68018305	WASHER
54	68016499	WASHER
55	68018065	WASHER
56	68018159	WASHER
57	68018309	WASHER
58	68018160	WASHER
59	68018374	WASHER
60	68018375	WASHER
61	68018377	WASHER
62	416818801	FEED LINK SET (NO. 1, 46, 50, 57)
63	416816101	SETTING COLLAR SET (NO. 2, 44)
64	68018378	FEED DOG MOVEMENT LINK SET (NO. 5, 44, 46)
65	68018380	FEED DOG DRIVING LEVER SET (NO. 9, 44)
66	416820601	DIFFERENTIAL FEED SLIDE HOLDER SET (NO. 16, 46)
67	68018381	DIFFERENTIAL FEED REGULATED HOLDER SET (NO. 17, 46, 49, 55)
68	68018382	DIFFERENTIAL FEED REGULATOR LINK SET (NO. 25, 46, 51, 57)



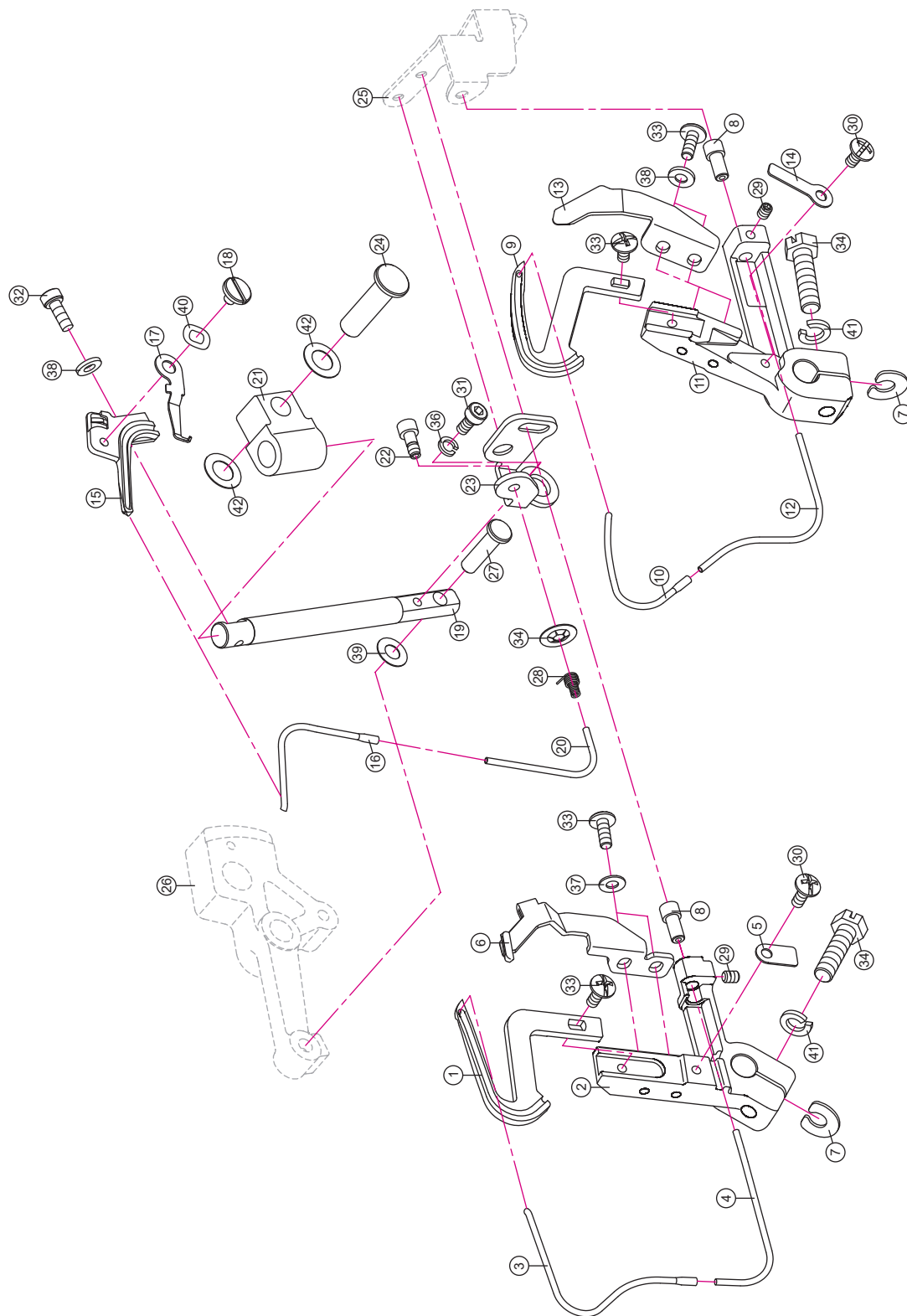
NO.	PART NO.	DESCRIPTION
1	68014382	MOTOR 220-2240V
1	68018264	MOTOR 110-120V
2	68018407	PUMP SETTING BOARD SET
3	68014383	PUMP CYLINDER
4	68014385	PISTONS
5	68014386	PISTONS MEMBRANE
6	68018411	PISTONS LINK
7	68014387	PUMP GEAR
8	68018412	PIN
9	68018419	PUMP CRANK SET
10	68018420	MOTOR SUPPORTER
11	68014388	MICRO SWITCH CONTACTOR
12	68018435	KNEE LIFT HOLDER SET
13	68018436	KNEE LIFT SLEEVE
14	68018440	KNEE LIFT CONNECTING PLATE
15	68014393	WIRE ROPE SET
16	68014396	CONTACTOR SPRING
17	68018441	FEED REGULATE HOLDER
18	68018443	KNEE LIFT FOLLOWER HOLDER SET
19	68018444	KNEE LIFT FOLLOWER PLATE
20	68018445	RELEASE LINK RESTORING SPRING
21	68018446	SPRING
22	68018447	KNEE LIFTER RELEASE LINK
23	68018448	KNEE LIFTER RELEASE LINK SUPPORTER
24	68014508	TUBE
25	68018452	PUMP MOTOR CORD
26	68018453	SPRING
27	68017912	E RING
28	68016976	E RING
29	68018024	E RING
30	68018454	E RING
31	68018036	SET SCREW
32	68018455	SET SCREW
33	68018456	SET SCREW
34	68014572	SET SCREW
35	68018053	SET SCREW
36	68018457	SET SCREW
37	68018458	SET SCREW
38	68018305	WASHER
39	68018065	WASHER
40	68014573	WASHER
41	68018459	WASHER
42	68018158	WASHER
43	68018460	WASHER



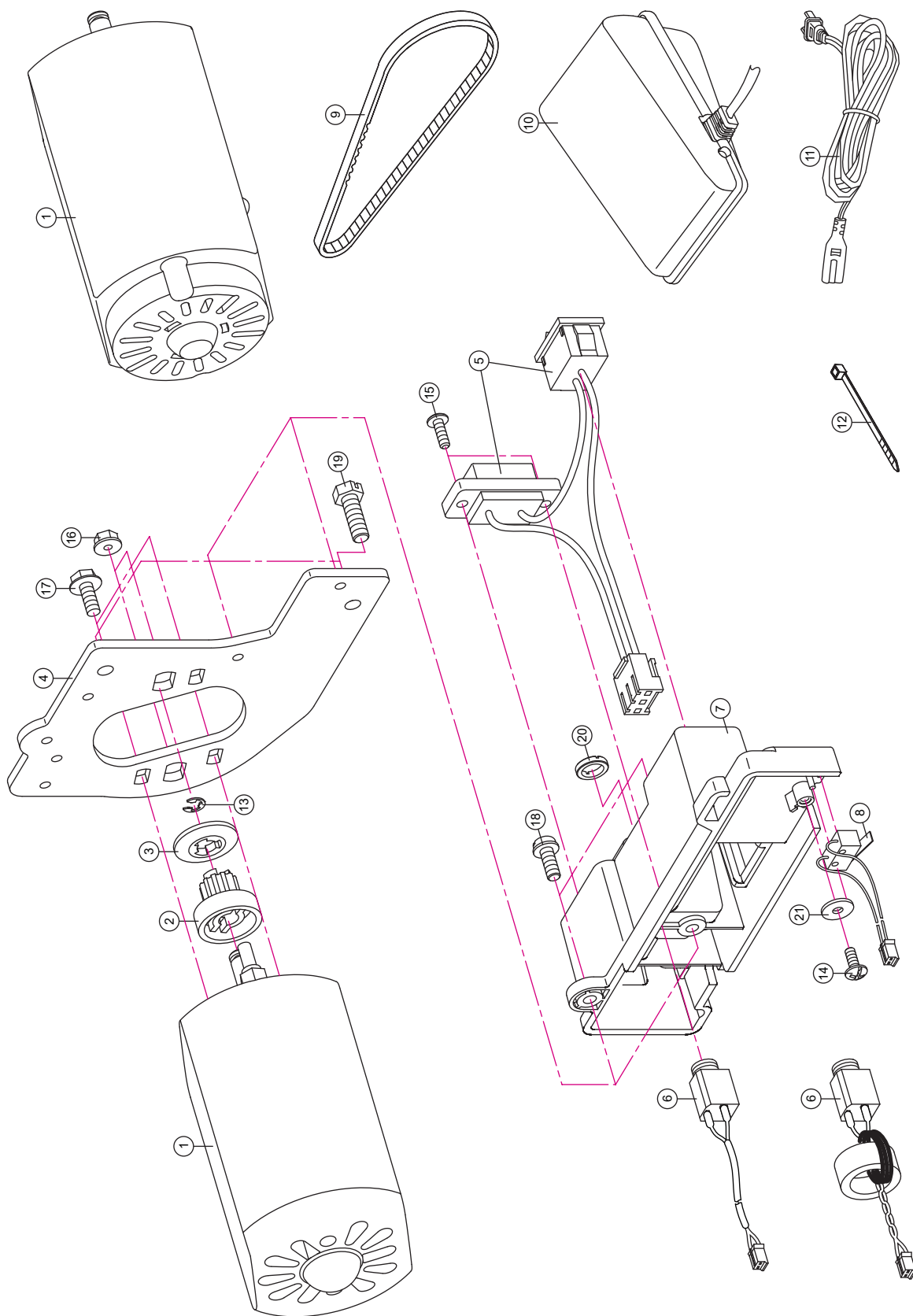
NO.	PART NO.	DESCRIPTION
1	416366301	PRESSER BAR
2	416366501	PRESSER FOOT HOLDER
3	416472701	PRESSER FOOT (USE 416390801 PRESSER FOOT SET)
4	416366601	PRESSER FOOT SPRING
5	416815101	PRESSER BAR BUSHING
6	416366201	PRESSER BAR SPRING
7	68018461	PRESSER BAR SETTING LINK
8	68018462	PRESSURE REGULATOR SET
9	68017936	PRESSER BAR REGULATE HOLDER SET
10	68018297	HANDLE SUPPORTER
11	68018464	FOOT PRESSURE ADJUSTING DIAL
12	68018466	PRESSER BAR DIAL CAP
13	68018467	PRESSER BAR DIAL CAP DECORATE PLATE
14	68018467	LED HOLDER A
15	68018469	LED COVER
16	68014576	LED PC BOARD SET
17	68018470	PRESSER BAR LIFTER (USE 68014574 PRESSER BAR LIFTERT SET)
18	68018471	SPRING (USE 68014574 PRESSER BAR LIFTERT SET)
19	68018472	SETTING COLLAR
20	68018448	KNEE LIFTER RELEASE LINK SUPPORTER
21	68018447	KNEE LIFTER RELEASE LINK
22	68018473	PRESSER BAR CONTROL SHAFT
23	68018474	PRESSER BAR SETTING BAR HOLDER
24	68018476	MIRCO SWITCH
25	68018478	PRESSER BAR LIFTER
26	68018479	PRESSER BAR LIFTING PLATE
27	68018480	PRESSER BAR LIFTING PLATE SPRING
28	68018481	PRESSER BAR SETTING LINK PIN
29	416427301	SET SCREW
30	68018482	SET SCREW
31	68017912	E RING
32	68016976	E RING
33	68018024	E RING
34	68018483	SET SCREW
35	68018299	SET SCREW
36	68018483	SET SCREW
37	68018455	SET SCREW
38	68018040	SET SCREW
39	68018301	SET SCREW
40	68018041	SET SCREW
41	68018485	SET SCREW
42	68017035	SET SCREW
43	68018042	SET SCREW
44	68017973	SET SCREW
45	68018153	WASHER
46	68018486	WASHER
47	68016525	WASHER
48	68018460	WASHER
49	68018070	WASHER
50	68018489	WASHER
51	68018490	WASHER
52	416390801	PRESSER FOOT SET (NO. 2, 3, 4)
53	68018492	PRESSER BAR SETTING LINK SET (NO. 7, 40)
54	68014574	PRESSER BAR LIFTER SET (NO. 17, 18)
55	68018493	SETTING COLLAR SET (NO. 19, 38)



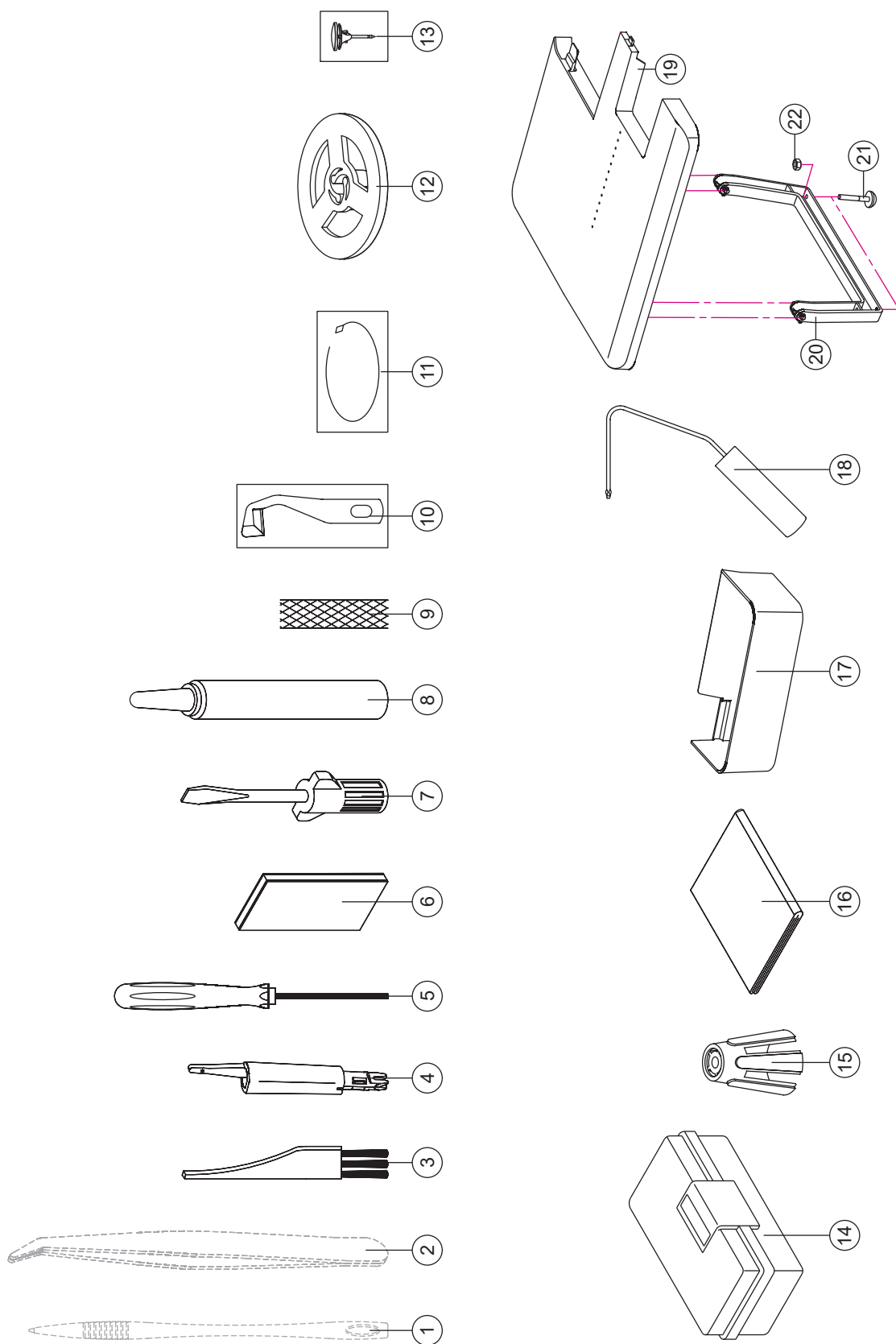
NO.	PART NO.	DESCRIPTION
1	68018502	TUBE HOLDER
2	68018503	MOBILE TUBE HOLDER SET
3	68018504	MOBILE TUBE HOLDER LOCATING BOARD
4	68014577	COVER LOOPER MOBILE CONNECTING TUBE
5	68014578	LOWER LOOPER MOBILE CONNECTING TUBE
6	68018505	MOBILE TUBE HOLDER SHAFT
7	68014580	MOBILE TUBE SPRING
8	68018506	THREADING LOCATING KNOB
9	68018507	SPRING
10	68018508	TIMING LOCATING BOARD
11	68018509	TIMING LOCATING BOARD WASHER
12	68018510	SPRING
13	68014585	UPPER LOOPER CONNECTING TUBE
14	68014586	LOWER LOOPER CONNECTING TUBE
15	68014619	COVER LOOPER CONNECTING TUBE
16	68018511	SPRING
17	68018512	SPRING
18	68018512	UPPER LOOPER CLUTCH LEAVER
19	68018514	TUBE HOLDER B
20	68014621	UPPER LOOPER MOBILE CONNECTING TUBE
21	68014624	THREADING LOCATING KNOB CAP
22	68018164	SETTING DISC SET
23	68018515	CONNECTING PIPE
24	68018516	THREADING PEDESTAL
25	68018517	THREADING PANEL
26	68018518	THREADING BUTTON
27	68018519	THREADING PORT
28	68018520	O RING
29	68018521	STICKER
30	68014623	MIRCO SWITCH
31	68018522	COVER LOOPER THREAD TAKE-UP LEVER SUPPORTER SET
32	68018523	COVER LOOPER THREAD TAKE-UP LEVER SET
33	68018524	SPRING
34	68018525	SETTING COLLAR
35	68018125	COVER LOOPER THREAD TAKE-UP LEVER OUTER CAM
36	68018526	UPPER LOOPER SWITCHER KNOB
37	68018527	UPPER LOOPER LOCATING BOARD SET
38	68018528	UPPER LOOPER SWITCHER KNOB SUPPORTER SET
39	68018529	SPRING
40	68014625	UPPER LOOPER SWITCHER KNOB CAP
41	68014508	TUBE
42	68018530	TUBE
43	68016976	E RING
44	68018024	E RING
45	68018531	SET SCREW
46	68018532	NUT
47	68014626	NUT
48	68018030	SET SCREW
49	68014360	SET SCREW
50	68018533	SET SCREW
51	68017970	SET SCREW
52	68016178	SET SCREW
53	68018040	SET SCREW
54	68018301	SET SCREW
55	68018534	SET SCREW
56	68018457	SET SCREW
57	68018061	WASHER
58	68018535	WASHER
59	68016525	WASHER
60	68018159	WASHER
61	68018374	WASHER
62	68018375	WASHER
63	68018536	SETTING COLLAR SET (NO. 34, 49)



NO.	PART NO.	DESCRIPTION
1	68018538	LOWER LOOPER (USE 68016180 LOWER LOOPER SET)
2	68018539	LOWER LOOPER SUPPORTER (USE 68016183 LOWER LOOPER SUPPORTER SET)
3	68018540	LOWER LOOPER TUBE (USE 68016180 LOWER LOOPER SET)
4	68016174	LOWER LOOPER SUPPORTER TUBE
5	68014628	LOWER LOOPER TUBE PRESS PLATE
6	68014629	LOWER LOOPER PROTECT BOARD
7	68018541	WASHER
8	68016175	TUBE CONNECTOR B
9	68018542	COVER LOOPER (USE 68016184 COVER LOOPER SET)
10	68018543	COVER LOOPER TUBE (USE 68016184 COVER LOOPER SET)
11	68018544	COVER LOOPER SUPPORTER (USE 68014637 COVER LOOPER SUPPORTER SET)
12	68014631	COVER LOOPER SUPPORTER TUBE
13	68014632	COVER LOOPER PROTECT BOARD
14	68018545	COVER LOOPER TUBE PRESS PLATE (USE 68014637 COVER LOOP ER SUPPORTER SET)
15	68018546	UPPER LOOPER (USE 68016185 UPPER LOOPER SET)
16	68018547	UPPER LOOPER TUBE A (USE 68016185 UPPER LOOPER SET)
17	68016176	2-THREAD CONVERTER
18	68016177	2-THREAD CONVERTER SCREW
19	68018548	SLIDE SHAFT
20	68014634	UPPER LOOPER TUBE B
21	68018549	SLIDE SHAFT HOLDER
22	68018550	TUBE CONNECTOR A
23	68018551	UPPER LOOPER TAKE-UP LEVER
24	68018552	SLIDE SHAFT HOLDER PIN
25	68018514	TUBE HOLDER B
26	68018168	UPPER LOOPER CONNECTING ARM
27	68018553	SLIDE SHAFT PIN
28	68018554	SPRING
29	68018555	SET SCREW
30	68018039	SET SCREW
31	68018533	SET SCREW
32	68016178	SET SCREW
33	68016179	SET SCREW
34	68018372	SET SCREW
35	68018556	NUT
36	68018153	WASHER
37	68018061	WASHER
38	68016499	WASHER
39	68018558	WASHER
40	68018559	WASHER
41	68018309	WASHER
42	68018070	WASHER
43	68014636	LOWER LOOPER SUPPORTER SET (NO. 1, 2, 3, 4, 5, 6, 7, 8, 29, 30, 33, 34, 37, 41)
44	68016180	LOWER LOOPER SET (NO. 1, 3)
45	68016183	LOWER LOOPER SUPPORTER SET (NO. 2, 7, 29, 34, 41)
46	68014637	COVER LOOPER SUPPORTER SET (NO. 7, 8, 9, 10, 11, 12, 13, 14, 29, 30, 33, 34, 38, 41)
47	68016184	COVER LOOPER SET (NO. 9, 10)
48	68018560	COVER LOOPER SUPPORTER SET (NO. 7, 11, 29, 34, 41)
49	68016185	UPPER LOOPER SET (NO. 15, 16)



NO.	PART NO.	DESCRIPTION
1	68014638	MOTOR (120V)
1	68014639	MOTOR (230V)
2	416302101	TIMING BELT PULLEY
3	416372001	TIMING BELT PULLEY COVER
4	68018420	MOTOR SUPPORTER
5	68018561	SWITCH AND SOCKET SET (D8)
5	68018562	SWITCH AND SOCKET SET (C8)
6	68014640	PIN-JACK SOCKET (100~120V)
6	68017945	PIN-JACK SOCKET SOCKET (220~240V)
7	68018563	SWITCH SUPPORTER
8	416380201	MIRCO SWITCH
9	416372101	TIMING BELT
10	68014641	FOOT CONTROLLER
11	412157801	POWER CORD 220V
11	412157902	POWER CORD 120V JAP
11	412157903	POWER CORD 120V
11	412158002	POWER CORD UK
11	412158101	POWER CORD AUS
12	416299401	CORD CLIP
13	68016976	E RING
14	68017970	SET SCREW
15	68017971	SET SCREW
16	68018564	NUT (100-120V)
17	68018565	SET SCREW (220V-240V)
18	68018053	SET SCREW
19	68018303	SET SCREW
20	68018566	NUT
21	68018535	WASHER



NO.	PART NO.	DESCRIPTION
1	412693401	STYLUS
2	416373101	TWEEZERS
3	416040901	CLEANING BRUSH
4	416384101	NEEDLE THREADER
5	416596901	ALLEN SCREW DRIVER
6	68013284	PFAFF-ELX705 NEEDLE SET
7	412381501	SCREW DRIVER
8	68018645	OILER
9	416383901	NET
10	68014356	UPPER KNIFE WITH BAG
11	68018648	LOOPER THREADING TOOL
12	416383801	THREAD UNWINDING SPOOL CAP
13	412665401	GUIDE PIN
14	68018649	ACCESSORY BOX
15	416360701	SPOOL HOLDER
16	68018651	DUST COVER
17	68018652	CHIP BOX
18	68018653	KNEE LIFT
19	68018654	EXTENSION TABLE
20	68018655	EXTENSION TABLE LEG
21	68018657	EXTENSION TABLE LEG SCREW
22	68018302	NUT
23	68018658	EXTENSION TABLE SET (NO. 18, 19, 20, 21)
24	68018659	ACCESSORY BOX SET (NO. 3, 4, 5, 6, 7, 8, 9, 10, 11, 12, 13)