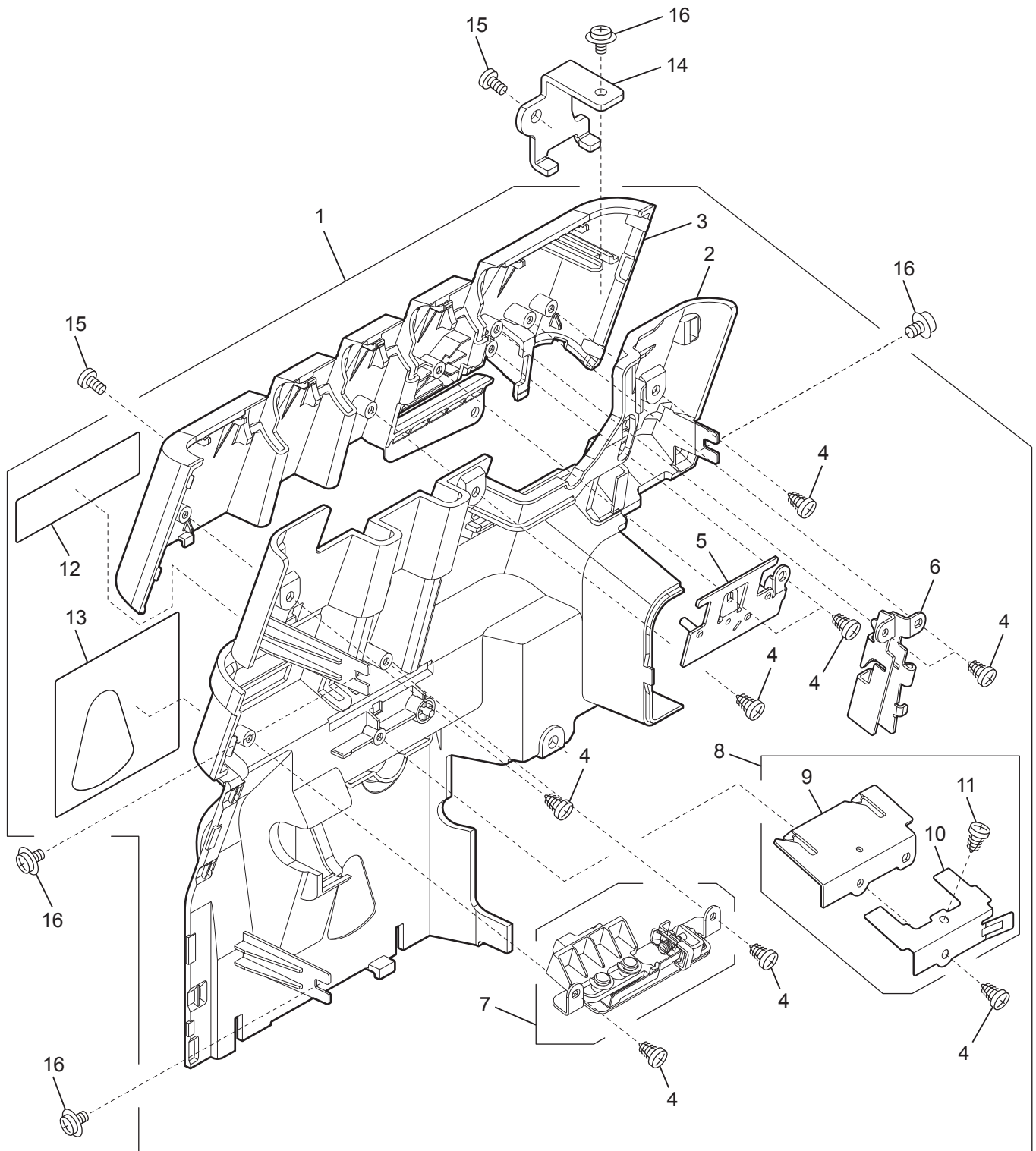


PFAFF®

admire air 5000

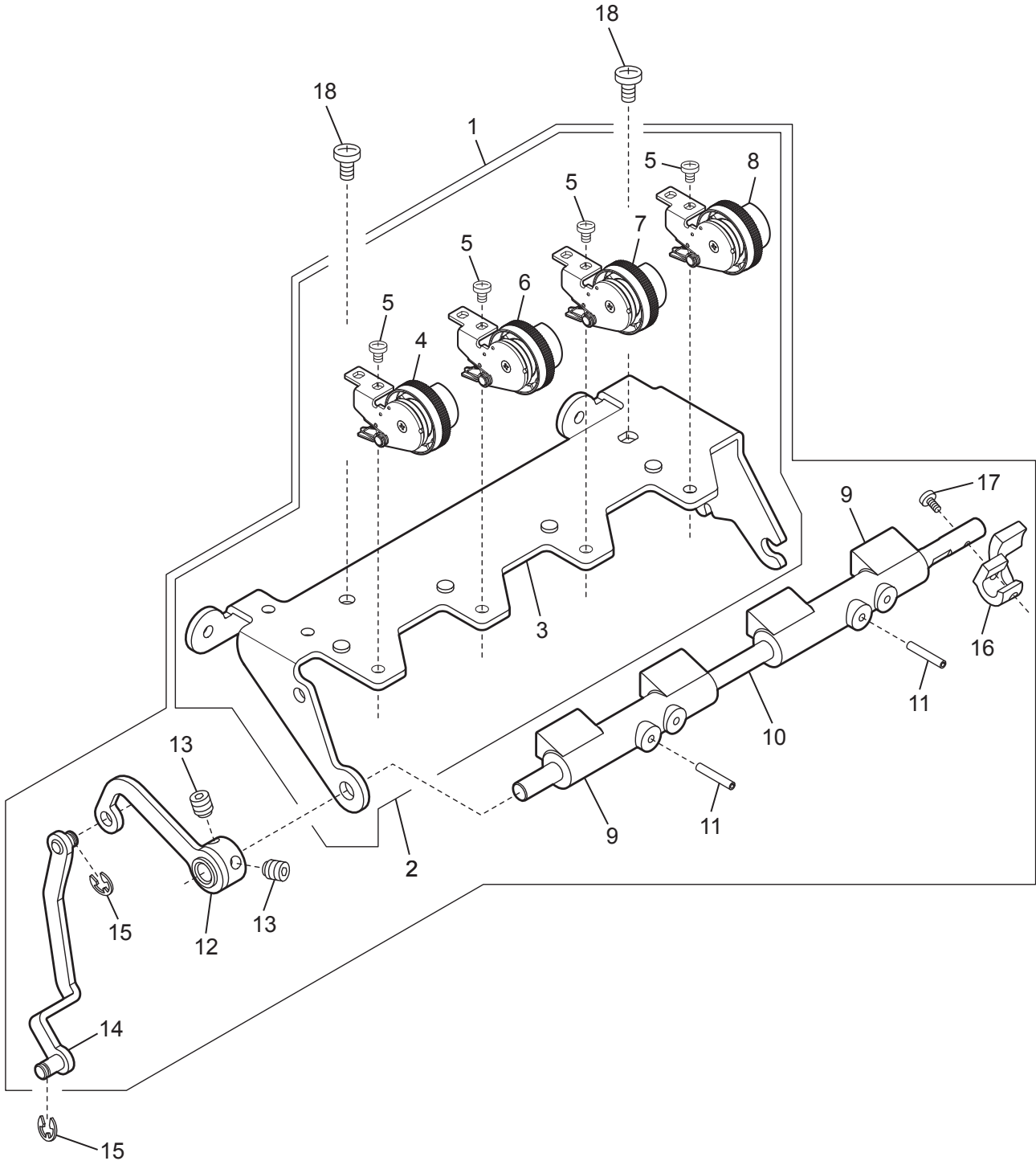
Parts list

A



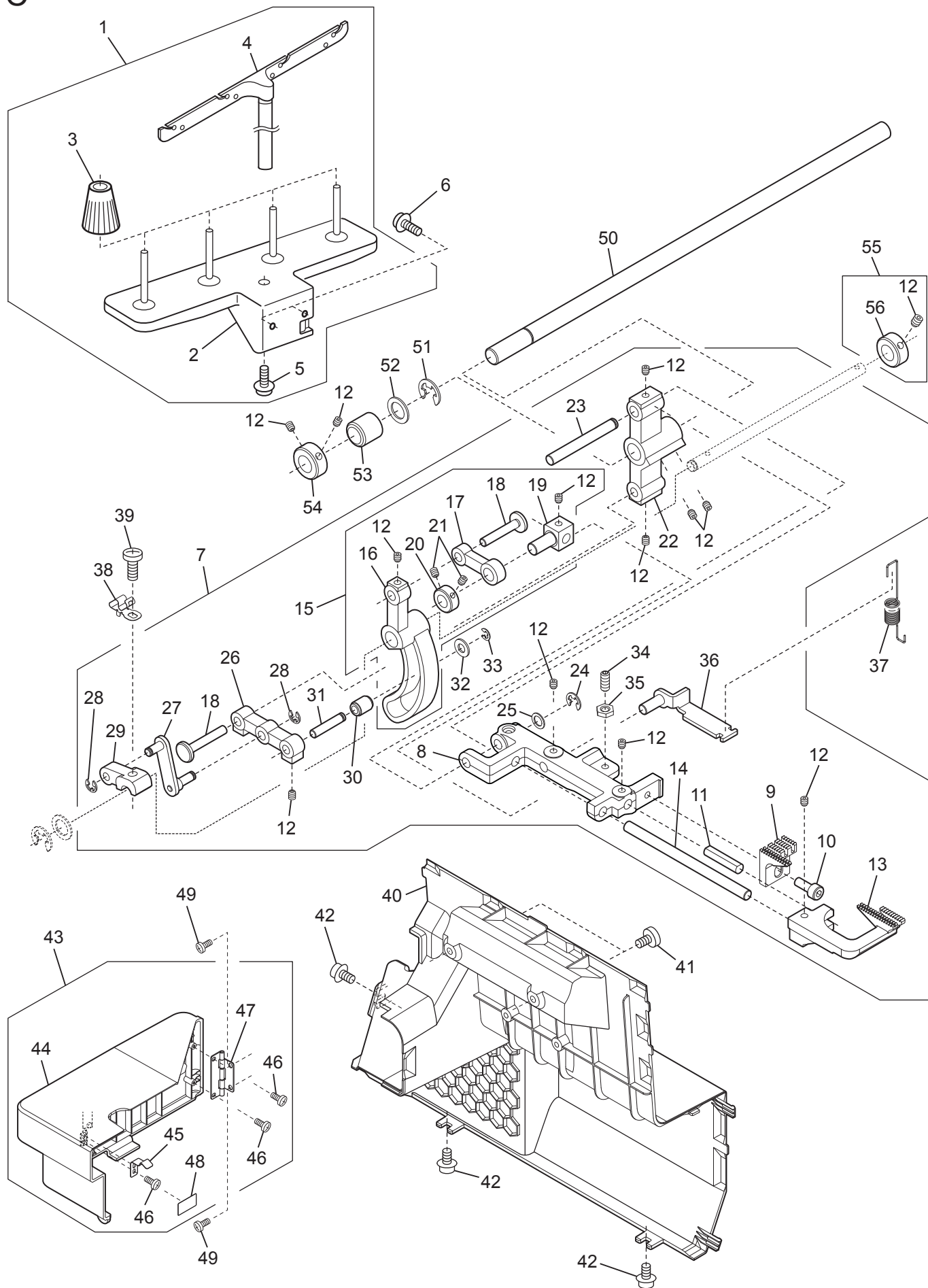
1	68012657	Front cover (unit) PF
2		Front cover
3		Front cover ornamental panel
4		Setscrew 3x8 (B)
5		Thread guide plate
6		Thread take-up lever cover
7	68011887	Pre-tension (unit)
8	68011888	Looper thread guide (unit)
9		Looper thread guide
10		Limit plate
11		Setscrew 3x3
12		Sticker
13		Sticker
14		Front cover set plate
15		Setscrew 4x8
16		Setscrew TP 4x6

B



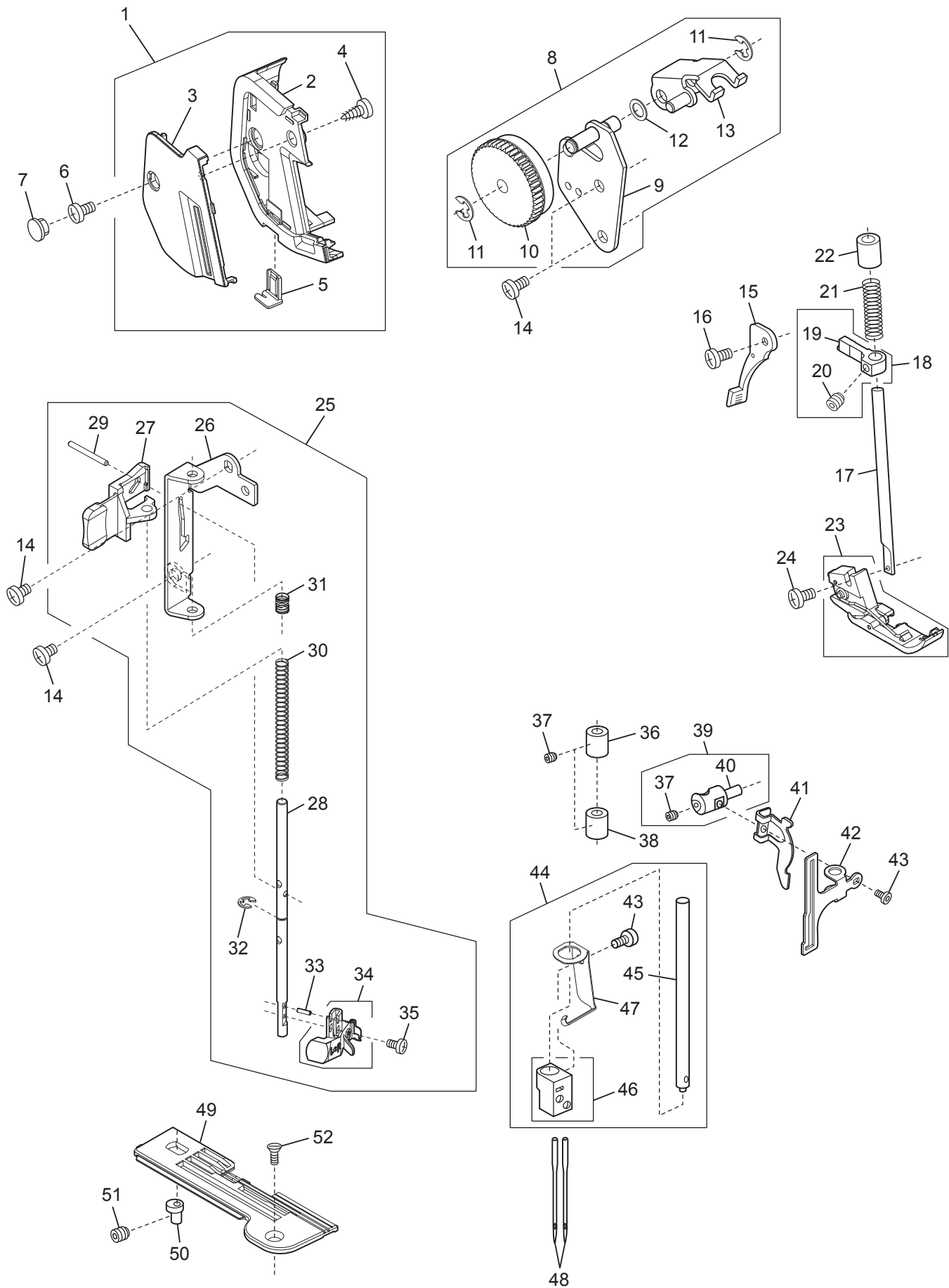
1		Thread tension (whole unit)
2		Thread tension (unit)
3		Thread tension set plate
4	68011789	Left needle thread tension dial (unit)
5		Setscrew 4x6
6	68011786	Right needle thread tension dial (unit)
7	68011787	Upper looper thread tension dial (unit)
8	68011788	Lower looper thread tension dial (unit)
9		Thread tension release cam
10		Thread tension release shaft
11		Spring pin 2x12
12		Thread tension release lever
13		Hexagonal socket screw 4x4
14		Thread tension release link
15		Snap ring E-3
16		Presser foot lifter switch cam
17		Setscrew 2.5x10
18		Setscrew 4x8

C



1	68012658	Spool stand (unit)
2		Spool stand
3	416360701	CONE HOLDER
4	68012659	Thread guide bar (unit)
5		Setscrew TP 4x10
6		Setscrew 4x14
7		Feed base (unit)
8		Feed base
9	68011837	Main feed dog
10	68011790	Hexagonal socket bolt 4x10
11		Guide pin
12		Hexagonal socket screw 4x4
13	68011839	Sub feed dog
14		Feed bar
15		Sub feed drive arm (unit)
16		Sub feed drive arm
17		Feed bar link
18		Looper rod pin
19		Feed bar bracket
20		Ring 6
21		Hexagonal socket screw 3x3
22		Feed arm (L)
23		Feed arm shaft
24		Snap ring E-4
25		Washer FT50
26		FR rod
27		DF rod
28		Snap ring E-3
29		DF arm
30		Sub feed drive arm roller
31		Pin
32		Washer 4
33		Snap ring E-2.5
34		Hexagonal socket screw 4x10
35		Adjustable lock nut 4
36		Feed rock adjusting plate
37		Feed base spring
38		Differential limit spring
39		Setscrew 4x10
40	68012663	Rear cover PF
41		Setscrew 4x8
42		Setscrew TP 4x8
43	68012664	Side cover (unit) PF
44		Side cover
45		Side cover spring
46		Setscrew 3x10 (B)
47		Hinge (unit)
48		Caution sticker 120 V
49		Setscrew 4x8
50		Feed rock shaft
51		Snap ring E-7
52		Washer FT80
53		Main shaft bushing
54		Looper shaft ring
55		Ring 7 (unit)
56		Ring 7

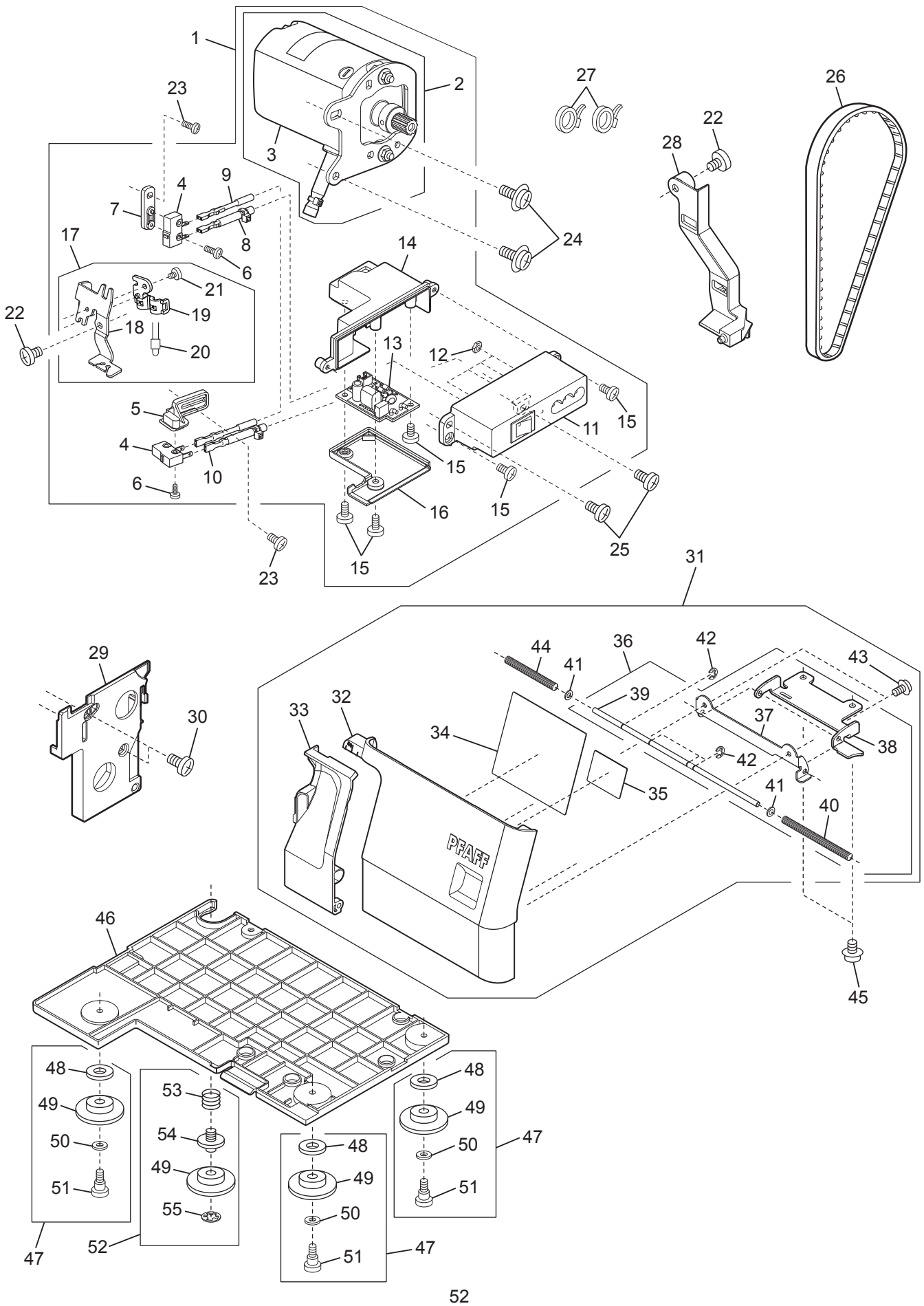
D



50

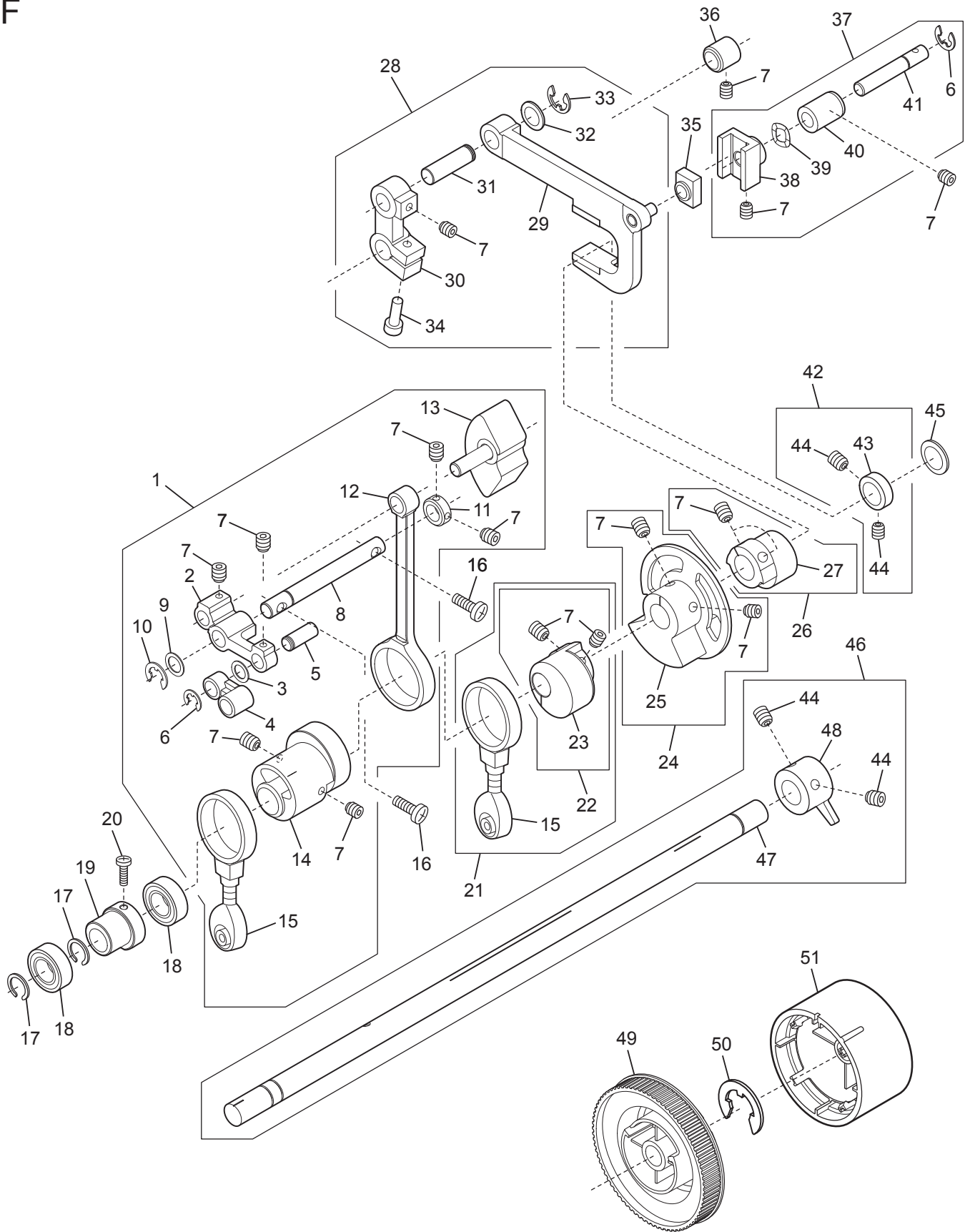
1	68012665	Face plate (unit) PF
2		Face plate
3		Face plate ornamental panel
4		Setscrew 3x8 (B)
5	68011741	Thread cutter (unit) PF
6		Setscrew 4x8
7		Cap
8	68012667	Pressure adjusting dial base (unit)
9		Pressure adjusting dial base
10		Pressure adjusting dial
11		Snap ring E-5
12		Washer FT60
13		Pressure adjusting lever
14		Setscrew 4x6
15	68011803	Presser foot lifter
16		Hinge screw
17		Presser bar
18		Presser bar supporter (unit)
19		Presser bar supporter
20		Hexagonal socket screw 5x5
21		Presser bar spring
22		Presser bar bushing (upper)
23	68011762	Presser foot (unit)
24	68011871	Setscrew
25		Needle threader (unit)
26		Threader shaft guide plate
27		Threader lever
28		Threader shaft
29		Guide pin E-2x20-CH
30		Threader shaft spring
31		Threader lever spring
32		Snap ring E-3
33		Spring pin 1.6x5.5
34	68011881	Needle threader plate (unit)
35		Setscrew 2x3.5
36	68012527	Needle bar upper bushing
37		Hexagonal socket screw 4x4
38		Needle bar lower bushing
39		Needle bar stud (unit)
40		Needle bar stud
41	68012528	Thread take-up lever
42	68012529	Threader positioning plate
43		Setscrew 3x6
44		Needle bar (unit)
45		Needle bar
46	68011831	Needle clamp (unit)
47	68011833	Needle bar thread guide
48		Needle
49	68011851	Needle plate (unit)
50	68011821	Eccentric pin
51		Hexagonal socket screw 3x4
52	68011805	Plain head screw

E



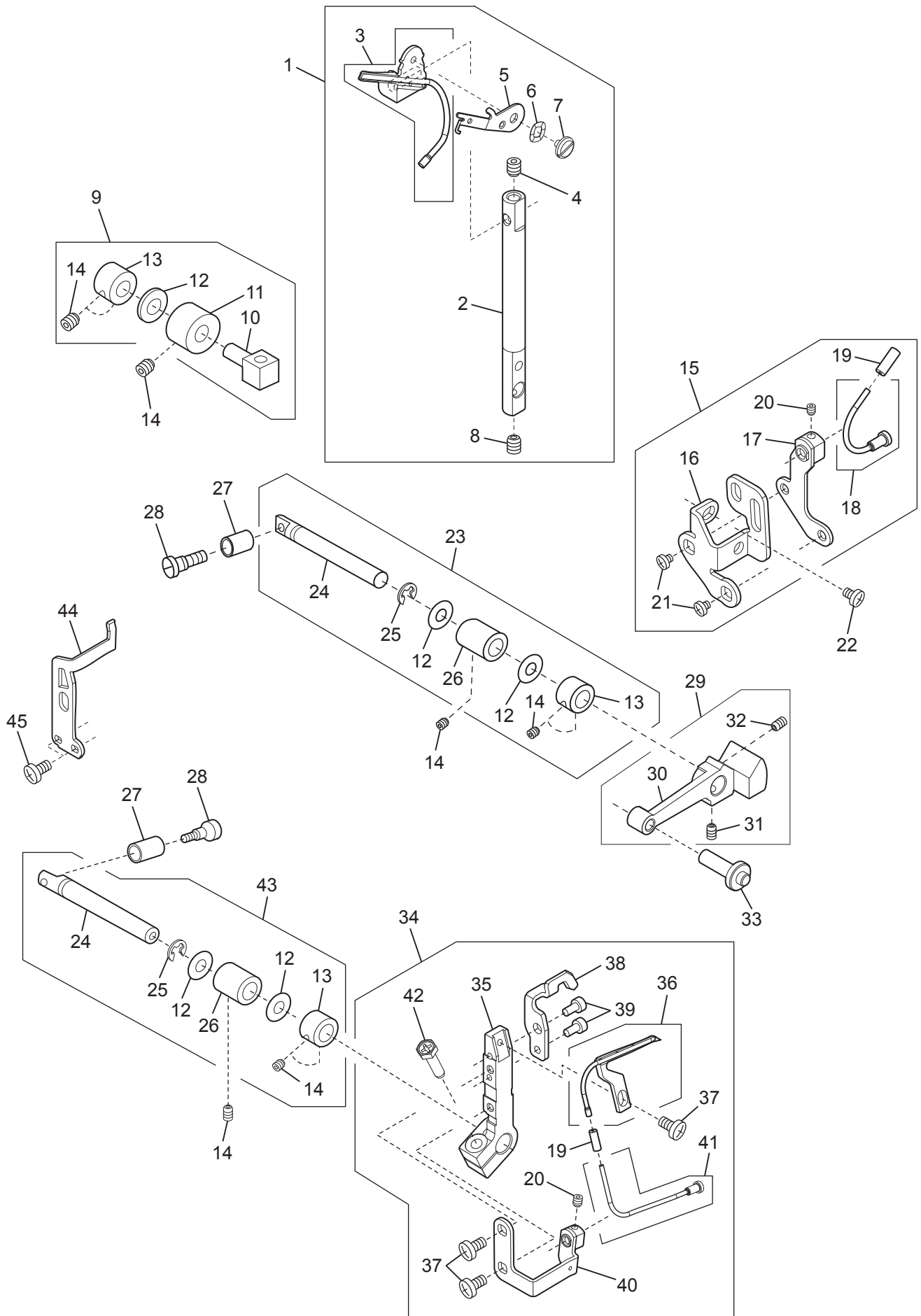
1	68011882	Machine socket (whole unit) 120V
1	68011889	Machine socket (whole unit) (Continental Europe)
1	68011739	Machine socket (whole unit) (Australia)
2	68011884	Motor (unit) 120 V
2	68011885	Motor (unit) (Continental Europe)
2	68011886	Motor (unit) (Australia)
3		Motor 120V
3		Motor (Continental Europe)
3		Motor (Australia)
4	68012671	Micro switch (unit)
5		Switch set plate 1
6		Setscrew 2.3x12 (B)
7		Switch set plate 2
8		Relay cable RF (unit)
9		Relay cable FF (unit)
10		Relay cable RF (unit)
11	68012672	Machine socket (unit)
12		Nut 3-1-5.5
13	68011800	Printed circuit board C (unit)
14		Machine socket cover
15		Setscrew 3x8 (B)
16		Printed circuit board C case cover
17		Needle thread guide (unit)
18		Needle thread guide
19		LED holder
19		LED (unit) (Continental Europe)
19		LED (unit) (Australia)
20		LED (unit)
21		Setscrew 3x4
22		Setscrew 4x6
23		Setscrew TP 3x6
24		Setscrew TP 5x10
25		Setscrew 4x8
26	68011799	Syncro belt B107XXL
27		Cord binder
28		Cord guide
29		Looper cover guide
30		Setscrew 3x6
31	68012682	Looper cover (unit) PF
32		Looper cover
33		Auxiliary looper cover
34		Sticker
35		Caution sticker
36		Looper cover hinge (unit)
37		Looper cover support plate
38		Looper cover hinge
39		Looper cover shaft
40		Looper cover spring
41		Washer 4
42		Snap ring E-3
43		Setscrew 3x8 (B)
44		Auxiliary looper cover spring
45		Setscrew TP 4x6
46		Base plate
47	68011868	Rubber foot (unit)
48		Washer
49		Rubber foot
50		Washer 5
51		Setscrew
52	68011870	Rubber foot (unit)
53		Spring
54		Adjusting screw
55		Snap ring CS-4

F



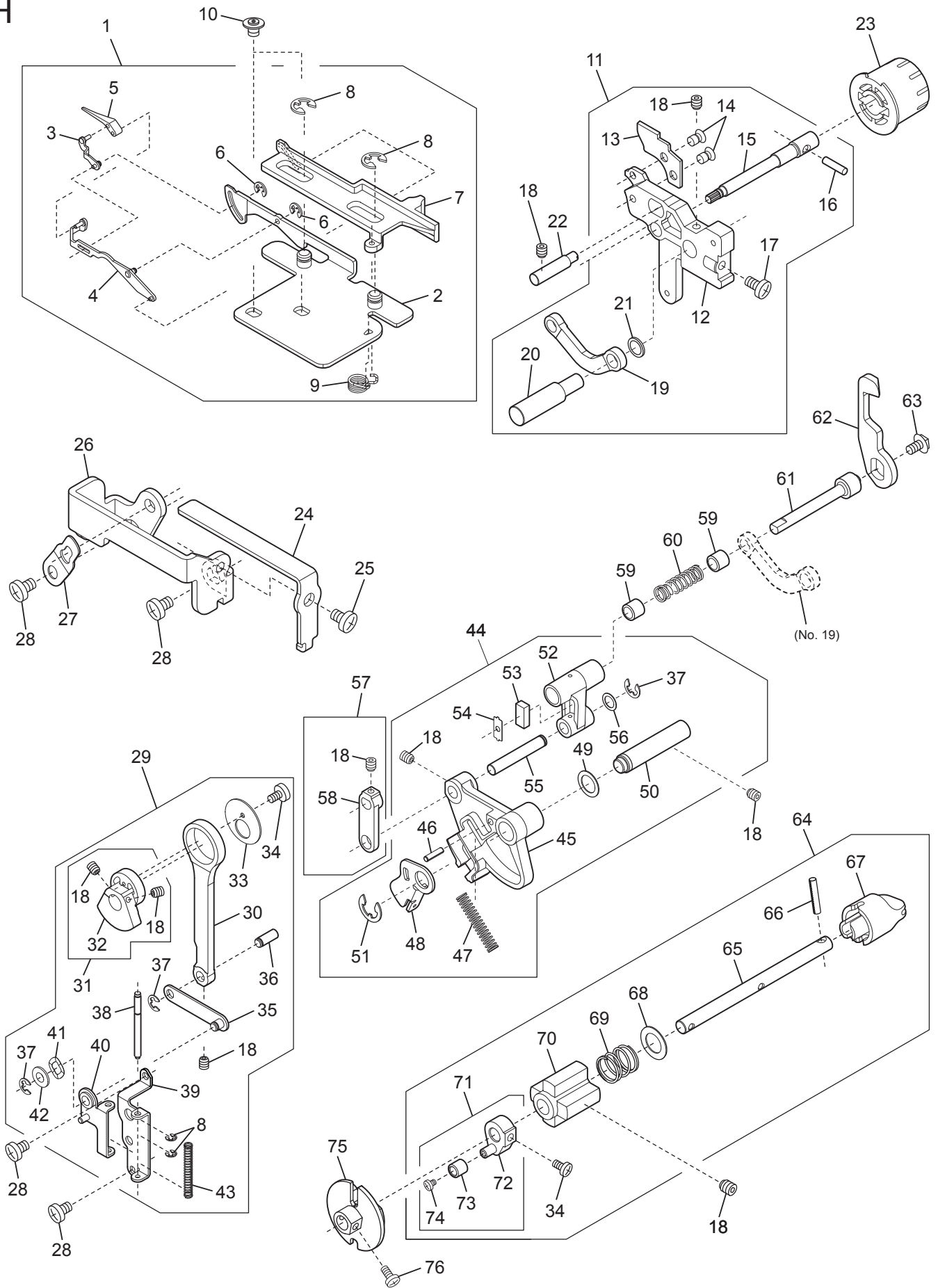
1		Needle bar crank (unit)
2		Needle bar crank
3		Washer
4		Needle bar link
5		Link pin
6		Snap ring E-5
7		Hexagonal socket screw 4x4
8		Needle bar crank shaft
9		Washer
10		Snap ring E-7
11		Looper shaft ring
12		Needle bar crank rod
13		Needle bar balancer
14		Needle bar cam
15		Looper cam ring
16		Setscrew 4x14
17		Snap ring crescent
18		Bearing
19		Feed lifting cam
20		Setscrew 3x16
21		Upper looper cam (whole unit)
22		Upper looper cam (unit)
23		Upper looper cam
24		Main shaft fixing plate (unit)
25		Main shaft fixing plate
26		Feed cam (unit)
27		Feed cam
28		Feed fork (unit)
29		Feed fork
30		Feed arm (R)
31		Link pin
32		Washer FT70
33		Snap ring E-6
34		Hexagonal socket bolt 4x12
35	68011832	Slide block
36		Main shaft bushing
37	68012674	Feed regulator (unit)
38		Feed regulator
39		Spring washer 6
40		Feed shaft bushing (front)
41		Feed regulator shaft
42		Ring (unit)
43		Ring
44		Hexagonal socket screw 5x5
45		Washer
46		Main shaft (unit)
47		Main shaft
48		Balance weight
49	68011840	Belt wheel
50		Snap ring E-9
51	68012675	Handwheel PF

G

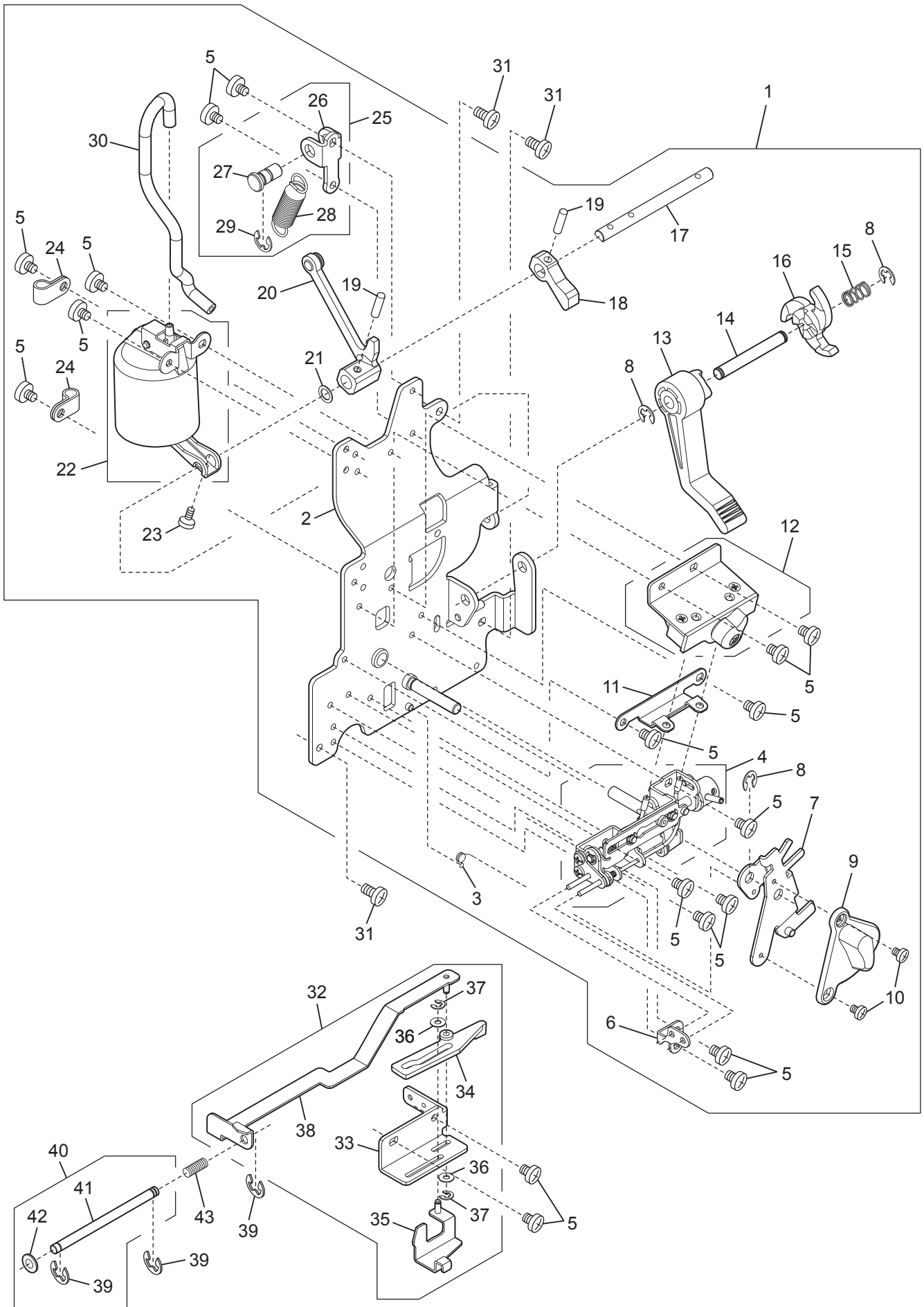


1		Upper looper shaft (unit)
2		Upper looper shaft
3	68011846	Upper looper (unit)
4		Hexagonal socket screw 4x4
5	68011835	Spreader
6		Spring washer 4
7		Spreader setscrew
8		Hexagonal socket screw 3x6
9	68012530	Upper looper shaft guide (unit)
10		Upper looper shaft guide
11		Bushing
12		Washer
13		Looper shaft ring
14		Hexagonal socket screw 4x4
15	68012531	Looper thread take-up lever (unit)
16		Looper thread take-up lever
17		Upper looper connecting pipe set plate
18	68011847	Upper looper connecting pipe (unit)
19	68011845	Tube1x3(L=8□ (50/pack)
20		Hexagonal socket screw 3x4
21		Setscrew 3x4
22		Setscrew 3.5x6
23		Upper looper crank shaft (unit)
24		Upper looper crank shaft
25		Snap ring E-6
26		Bushing
27		Crank spacer
28		Crank setscrew
29	68012532	Upper looper driving arm (unit)
30		Upper looper driving arm
31		Hexagonal socket screw 5x5
32		Hexagonal socket screw 5x5 (WP)
33		Upper looper pin
34	68012533	Lower looper base (unit)
35		Lower looper base
36	68011849	Lower looper (unit)
37		Setscrew 3x6
38	68011835	Needle guard (rear)
39		Hexagonal socket bolt 3x6
40		Lower looper connecting pipe arm
41	68011850	Lower looper connecting pipe (unit)
42		Bolt 4x16
43		Lower looper crank shaft (unit)
44	68011841	Needle guard (front)
45		Setscrew 4x8

H

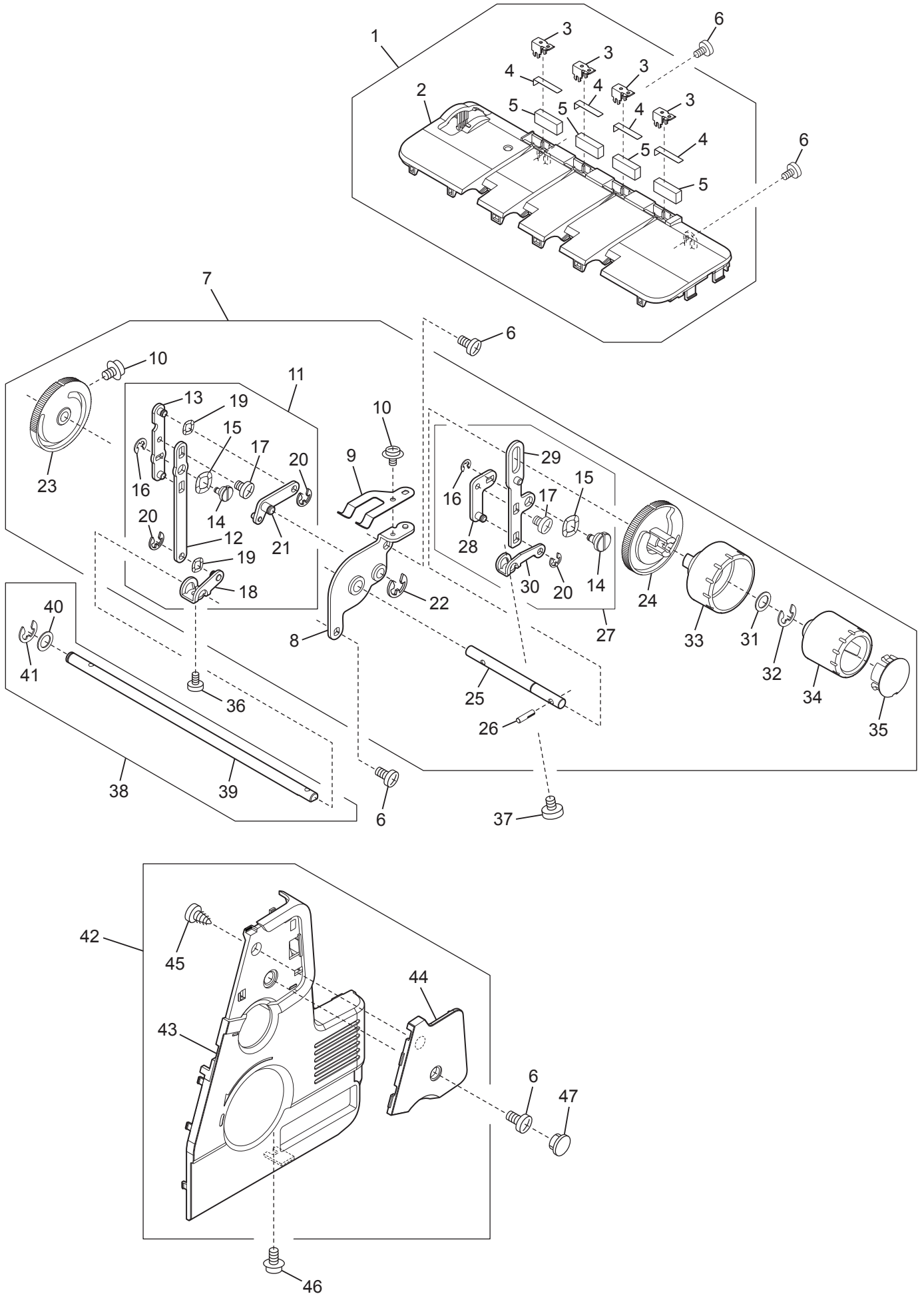


			55	Upper knife drive arm shaft	H
1	68012676	Chaining finger (unit)	56	Washer	
2		Chaining finger set plate	57	Upper knife support plate (unit)	
3		Chaining finger pin	58	Upper knife support plate	
4		Chaining finger support plate	59	68012537	Upper knife supporter bushing
5		Chaining finger	60		Spring
6		Snap ring E-1.2	61		Upper knife supporter
7		Chaining finger switch knob	62	68011814	Upper knife
8		Snap ring E-3	63	68011793	Hexagonal setscrew TP 4x8
9		Spring	64		Upper knife release shaft (unit)
10		Thin-head setscrew TP 3x4	65		Upper knife release shaft
11		Lower knife bracket (unit)	66		Spring pin 3x16
12		Lower knife bracket	67		Upper knife release knob
13	68011817	Lower knife	68		Washer FT90
14		Setscrew 4x6	69		Spring
15		Cutting width adjusting shaft	70		Bushing
16		Spring pin 3x12	71		Upper knife release arm (unit)
17		Setscrew 4x8	72		Upper knife release arm
18		Hexagonal socket screw 4x4	73		Upper knife release arm roller
19		Upper knife rod support arm	74		Setscrew 2.5x3
20		Upper knife rod support shaft	75		Upper knife release cam
21		Washer	76		Setscrew 3x10
22		Lower knife bracket shaft			
23	68011844	Cutting width adjusting dial			
24		Spring			
25		Setscrew 3x4			
26		Side cover spring support plate			
27		Cutting width adjusting stopper			
28		Setscrew 4x6			
29		Upper knife rod (unit)			
30		Upper knife rod			
31		Upper knife drive cam (unit)			
32		Upper knife drive cam			
33		Upper knife rod limit plate			
34		Setscrew 3x8			
35		Upper knife rod support arm			
36		Upper knife rod pin			
37		Snap ring E-5			
38		Upper knife rod support shaft			
39		Upper knife drive shaft support plate			
40		Upper knife rod support plate			
41		Spring washer 6			
42		Washer 6			
43		Spring			
44		Upper knife drive arm (unit)			
45		Upper knife drive arm			
46		Spring pin 3x12			
47		Spring			
48		Upper knife release plate			
49		Washer			
50		Upper knife drive shaft			
51		Snap ring E-8			
52		Upper knife drive arm			
53		Felt			
54		Felt holder			



1	68011852	Looper threader (air) (unit)
2		Looper threader set plate
3		Spring
4	68012538	Slide plate supporter (unit)
5		Setscrew 4x5
6		Looper thread take-up lever guide
7		Looper threader connecting lever
8		Snap ring E-5
9		Looper threader switch lever
10		Setscrew 3x3
11	68012539	Pipe supporter
12	68011879	Threader hole plate (unit)
13	68011843	Looper threader lever
14		Looper threader lever shaft
15		Spring
16		Middle arm
17		Piston drive shaft
18		Piston return arm
19		Spring pin 3x12
20		Piston drive arm
21		Washer FT70
22	68011880	Tank (unit)
23		Setscrew 3.5x8
24		Nylon clip ACC-2
25		Piston drive spring set plate (unit)
26		Piston drive spring set plate
27		Piston drive spring pin
28		Piston drive spring
29		Snap ring E-6
30	68011797	Tube
31		Setscrew 4x8
32		Cover detecting base (unit)
33		Cover detecting base
34		Detecting lever
35		Looper cover detecting arm
36		Washer 3
37		Snap ring E-2
38		Side cover detecting rod
39		Snap ring E-4
40		Side cover detecting shaft (unit)
41		Side cover detecting shaft
42		Washer 5
43		Spring

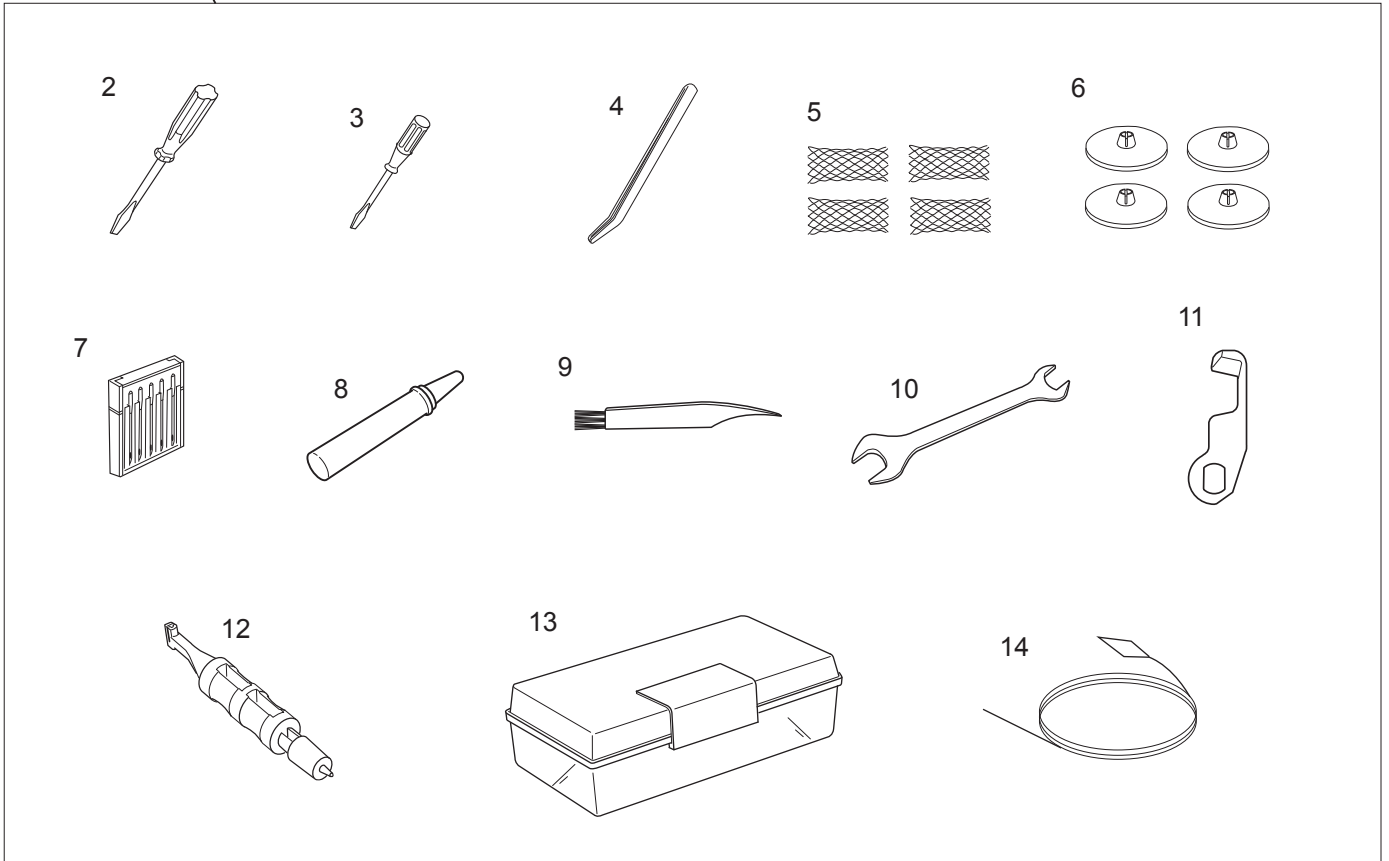
J



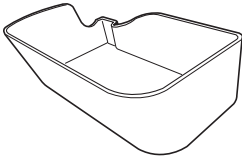
1	68012678	Top cover (unit) PF
2		Top cover
3	68012543	Thread guide cover
4	68012544	Thread guide spring
5	68012545	Cushion
6		Setscrew 4x8
7	68012679	Adjusting dial (unit) PF
8		Adjusting dial set plate
9		Spring
10		Setscrew TP 3x6
11		Differential feed adjusting rod (unit)
12		Differential feed adjusting rod 1
13		Differential feed adjusting rod 2
14		Stitch length adjusting pin
15		Spring washer 6
16		Snap ring E-2.5
17		Setscrew 4x5
18		Differential feed adjusting arm
19		Spring washer 4
20		Snap ring E-3
21		Differential feed adjusting link
22		Snap ring E-4
23		Differential feed adjusting cam
24		Feed regulator cam
25		Adjusting dial shaft
26		Spring pin 3x12 (K)
27		Stitch length adjusting rod (unit)
28		Stitch length adjusting rod 1
29		Stitch length adjusting rod 2
30		Stitch length adjusting arm
31		Washer FT60
32		Snap ring E-5
33		Stitch length dial
34		Differential feed dial
35		Cap
36		Setscrew 3x6
37		Setscrew 4x6
38		Differential feed adjusting shaft (unit)
39		Differential feed adjusting shaft
40		Washer FT70
41		Snap ring E-6
42	68012680	Belt cover (unit) PF
43		Belt cover
44		Belt cover ornamental panel
45		Setscrew 3x8 (B)
46		Setscrew TP 4x8
47		Cap

K

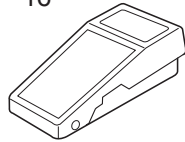
1



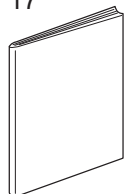
15



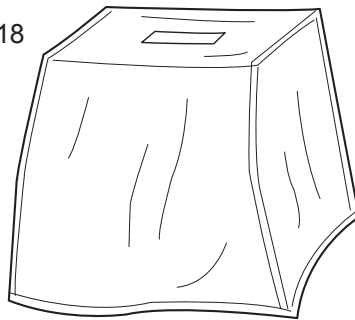
16



17



18



1		Standard accessories
2		Screwdriver (large) (784810002)
3	412289001	Screwdriver (small)
4	416015401	Tweezers
5	416383901	Net
6	416078401	Spool holder cap (large)
7		Needle set (HAX1 SP#11) x 2 (HAX1 SP#14) x 3
8		Oil
9	416040901	Lint brush
10	68011815	Double-ended spanner
11	68011814	Upper knife
12	68011816	Needle holder/spreader pin
13		Accessory box
14	68011818	Looper threading wire (Looper threader)
15	XXXXX	Waste chip box
16	68011856	Foot control (Continental Europe)
	68011866	Foot control (UK)
		Foot control (Australia)
	68011823	Foot control (120 V) US
17		
18		
19	68011820	Soft Cover