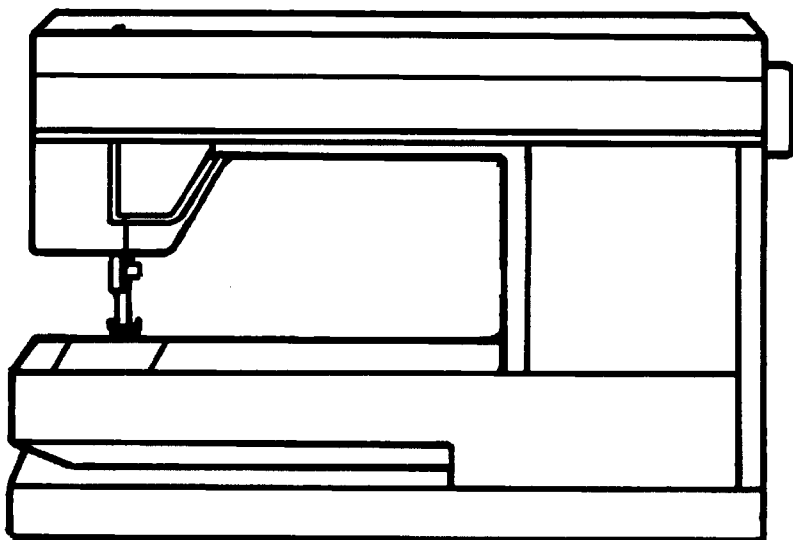


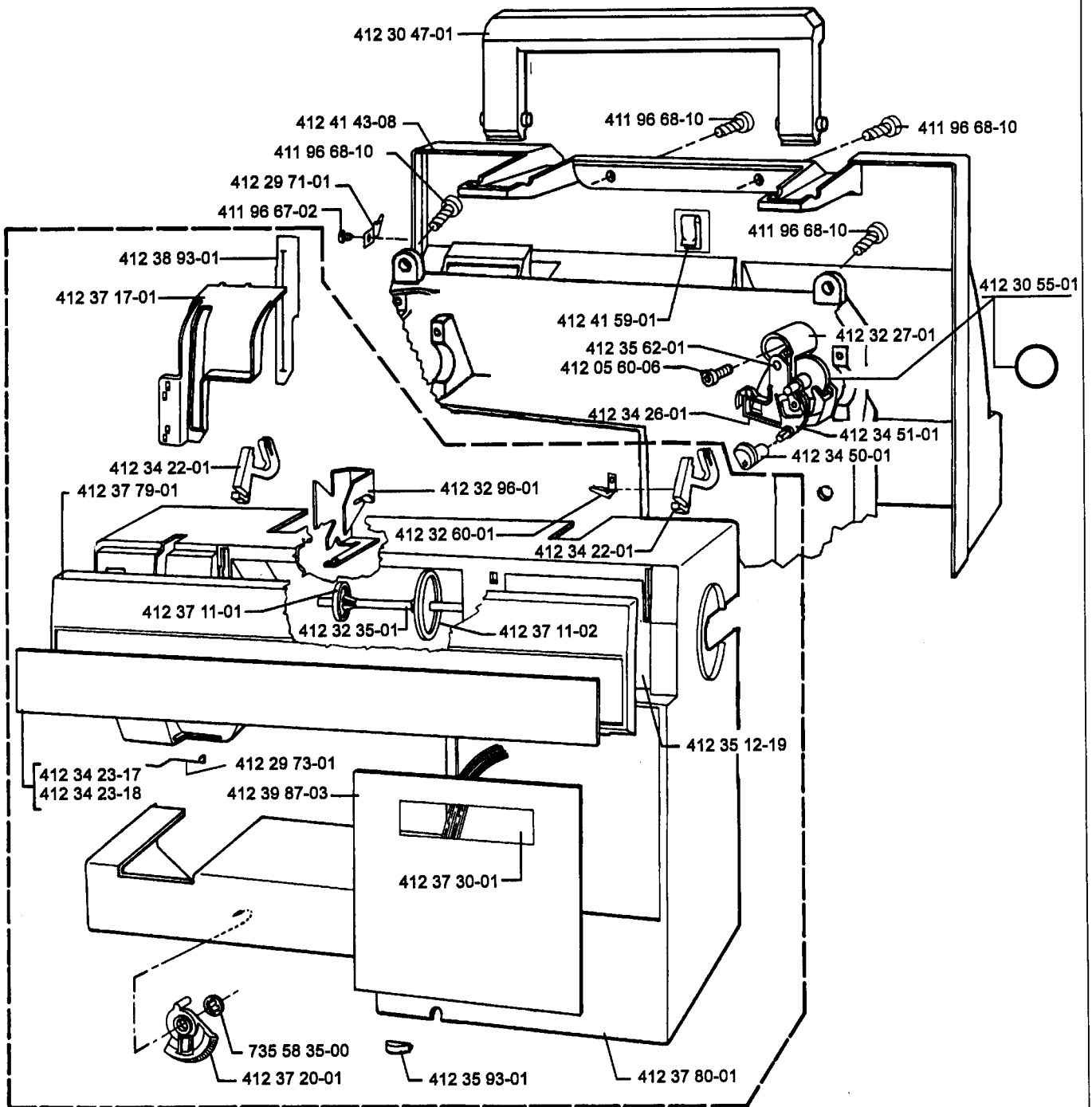
Spare parts
Ersatzteile
Pièces détachées
Reservdelar



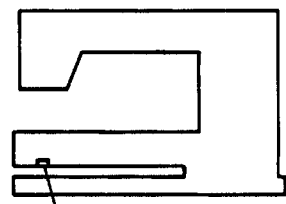
400 LE

Part no	Description	Square	Part no	Description	Square	Part no	Description	Square
411 72 10-01	Washer	C	412 32 47-01	Lever thread tension	G	725 52 20-05	Screw M3*6	E
411 75 00-07	Needle bar compl.	F	412 32 49-01	Screw thread tension	G	725 62 91-01	Screw M4*12	F
411 75 02-01	Needle clamp	F	412 32 50-01	Spring holder	G	728 32 18-01	Screw M3*4	D
411 75 03-01	Stop needle clamp	F	412 32 51-01	Control thread tension	G	728 52 17-05	Screw M3*3	E,F
411 75 04-01	Thread guide	F	412 32 60-01	Thread knife	A	728 52 18-05	Screw M5*6	F
411 78 10-03	Light bulb	F	412 32 67-45	PC-board transformer	B	728 52 83-05	Screw M4*4	D,H
411 96 67-02	Screw	A	412 32 71-47	Transformer 120 V	B	728 52 85-05	Screw M4*6	F
411 96 68-02	Screw	D	412 32 84-01	Clamp	D,H	728 52 87-05	Screw M4*8	D
411 96 68-10	Screw	A	412 32 85-47	PC-board	B	728 53 20-05	Screw M5*5	H
411 96 68-12	Screw	B	412 32 96-01	Thread guide	A	728 73 20-01	Screw	H
			412 33 62-01	Cog wheel	E	728 73 64-05	Screw 6*10 mm	B
411 96 71-07	Screw	B						
411 98 14-01	Washer	C	412 33 93-01	Attachment, motor	B	735 21 36-01	Locking washer	B
412 00 13-01	Washer	D	412 33 94-01	Muffler, motor	B	735 31 08-00	C-washer	F
412 02 41-01	Spring	F	412 33 96-01	Distance sleeve	B	735 31 08-20	C-washer	D
412 05 60-01	Screw M5*14	B	412 33 97-01	Motor 24 V	B	735 58 35-00	Locking washer	A
412 05 60-04	Screw M3*6	C	412 34 22-01	Hinge	A	735 58 55-00	Washer	H
412 05 60-06	Screw M4*12	A,B,D,E,H	412 34 23-17	Panel stitches HVA	A	735 61 24-40	Compression ring 3mm	G
412 05 60-07	Screw M4*16	G	412 34 23-18	Panel stitches VIKING	A	735 61 36-40	Compression ring 4mm	F
412 05 60-10	Screw M3*10	F	412 34 24-05	Base plate	B	735 61 53-40	Compression ring 6mm	F
412 05 60-11	Screw M3*5	D,E,F	412 34 26-01	Spring	A			
412 13 12-01	Bulb 4 V	B	412 34 42-01	Hard Cover	K	ACCESSORIES		
412 14 32-04	Fuse 3.5 A/250 V (USA)	B	412 34 45-01	Holder	B	401 53 99-01	Buttonhole knife	K
412 14 32-05	Fuse 2 A/250 V (USA)	B	412 34 47-01	Holder	B	401 55 55-01	Brush	K
412 15 23-02	Cross head compl.	F	412 34 48-01	Screen	D	411 17 32-01	Button reed	K
412 15 79-01	Cord device, USA, Can.	J	412 34 50-01	Eccentric	A	412 01 76-01	Hemmer 10 mm	K
412 15 98-01	Spring	J	412 34 51-01	Adjusting arm	A	412 38 00-01	Presserfoot "A"	K
412 18 45-01	Foot	J	412 34 54-01	Cog belt	H	412 38 01-01	Presser foot "B"	K
412 21 14-02	Screw M3*6	F	412 34 60-01	Stop ring	D	412 38 02-01	Buttonhole foot "C"	K
412 21 14-03	Screw M3*8	F	412 34 75-01	Feeding step motor	E	412 38 04-01	Blind stitch foot "D"	K
412 21 14-14	Screw M4*16	B	412 34 79-01	Calibration stop	E,F	412 38 05-01	Zipper foot "E"	K
412 22 98-01	Locking nut	E	412 34 80-02	Damper	E,F	412 38 06-01	Edging foot "J"	K
412 28 19-02	Screw	C,F	412 34 81-01	Spring	E	412 38 15-01	Screw driver medium	K
412 28 19-03	Screw	F	412 34 82-01	Setting screw	E	412 39 41-01	Operating Manual,	K
412 28 43-01	Feed dog	C	412 34 84-01	Shaft, feeding compl.	E	412 41 11-45	Insertion sheet for 400 LE	K
412 28 48-01	Spring	C	412 34 85-01	Joint cross	E			
412 28 51-01	Adjusting arm	F	412 34 87-01	Spring	E	GREASE,OIL		
412 28 54-01	Presser bar	F	412 34 88-01	Fastener, spring	E	411 04 71-01	Oil androl 500 (in 12 ml phial)	K
412 28 75-01	Base plate	B	412 34 89-01	Spring	F	411 54 73-01	Oil Tellus 68 (in plastic cushion)	K
412 28 79-01	Screw	D	412 34 91-01	Attachment	F	411 54 73-01	Grease, black LM 47	K
412 28 81-01	Throat plate	D	412 34 92-01	Cog wheel	F	412 18 24-01	Oil Tellus 68 (in 1 liter bottle)	K
412 29 38-01	Worm gear	D	412 34 96-01	Cablage motor	B			
412 29 71-01	Thread knife	A	412 34 97-01	Cable for PC-board	B			
412 29 73-01	Thread guide	A	412 35 12-19	Guide prog. info	A			
412 30 01-01	Washer	H	412 35 26-01	Washer	D			
412 30 06-01	Driver	H	412 35 31-01	Thread tension set	G,K			
412 30 07-01	Spring	H	412 35 33-02	Driving wheel compl.	B			
412 30 08-01	Pulley	H	412 35 42-01	Pulley	D			
412 30 09-01	Hand wheel	H	412 35 56-01	Sleeve, lamp	K			
412 30 16-01	Link	G	412 35 62-01	Pin	A			
412 30 21-01	Locking washer	G	412 35 64-01	Holder	B			
412 30 24-01	Crank arm	G	412 35 93-01	Cover	A			
412 30 30-01	Guide arm	F	412 36 14-01	Opener, throat plate	K			
412 30 47-01	Handle	A	412 36 16-01	Hook cover, window	D			
412 30 50-01	Foot	B	412 36 55-01	Bobbin case stop	D			
412 30 55-01	Rubber ring	A	412 36 78-01	Spring	G			
412 30 61-01	Hook	D	412 36 80-01	Locking washer	C			
412 30 64-01	Worm gear	D	412 36 82-02	Lower shaft compl.	D			
412 30 65-01	Magnet	D	412 36 83-01	Arm shaft	H			
412 30 66-01	Shuttle shaft	D	412 36 84-01	Cog belt	H			
412 30 68-01	Bobbin case compl.	D	412 36 86-01	Hook cover	D			
412 30 71-01	Thread tension spring	D	412 36 87-01	Pin	H			
412 30 74-01	Damper	D	412 37 11-01	Thread reel disc 20 mm	A			
412 30 78-45	Plastic bobbins (10-pac)	D,K	412 37 11-02	Thead reel disc 40 mm	A			
412 30 79-01	Eccentric feed	D	412 37 14-02	Lever feed lift	C			
412 30 83-02	Frame, sewing head	F	412 37 17-01	Screen	A			
412 30 91-03	Regulating dial	F	412 37 20-01	Knob, feed dog lowering	A			
412 30 96-02	Presser bar guide	F	412 37 27-01	Spring	C			
412 30 97-01	Presser bar lifter	F	412 37 30-01	Window, foil keyboard	A			
412 31 00-02	Feed unit compl	C	412 37 71-16	Front cover compl. HVA	A			
412 31 04-02	Guide compl.	C	412 37 71-17	Front cover compl. VIKING	A			
412 31 06-01	Spring	C	412 37 79-02	Cover	A			
412 31 17-01	Accessory box	K	412 37 80-01	Front cover	A			
412 31 20-01	Extension table	K	412 37 82-01	Nut	C			
412 31 34-01	Soft cover	K	412 38 93-01	Protector, take up	A			
412 31 41-01	Foot control compl.	J	412 39 09-03	Plastic bag with access.	K			
412 31 44-02	Cable USA, Can	J	412 39 44-01	Thread take up	F			
412 31 48-01	Spring	C	412 39 47-01	Washer	D			
412 31 52-01	Thread knife	D	412 39 54-01	Feed unit compl.	C			
412 31 60-41	Shaft, sewing frame	F	412 39 56-01	Frame carriage	C			
412 31 76-01	Toothed segment	F	412 39 59-02	Sewing head compl.	F			
412 31 79-01	Clutch	H	412 39 87-03	Foil keyboard	A			
412 31 81-01	Clamp, lower shaft	D	412 40 98-01	Screw needle clamp	F			
412 31 84-01	Bushing, feed dog	C	412 41 12-01	Ankle	F			
412 31 89-01	Control unit	J	412 41 43-08	Back cover	A			
412 32 27-01	Bobbin winding	A	412 41 59-01	Clip	A			
412 32 33-02	Sealing washer	A	721 11 87-50	Pin	F			
412 32 34-03	Step motor, feeding	E	721 41 64-50	Pin	C			
412 32 34-04	Step motor, sewing head	F	721 41 69-70	Pin	E			
412 32 35-01	Reel pin	A	721 41 87-70	Pin	D,H			
412 32 43-01	Thread reel pin	K	721 42 10-10	Pin	D			
412 32 45-01	Thread tension device	G	723 12 19-01	Screw M3*5	F			

A

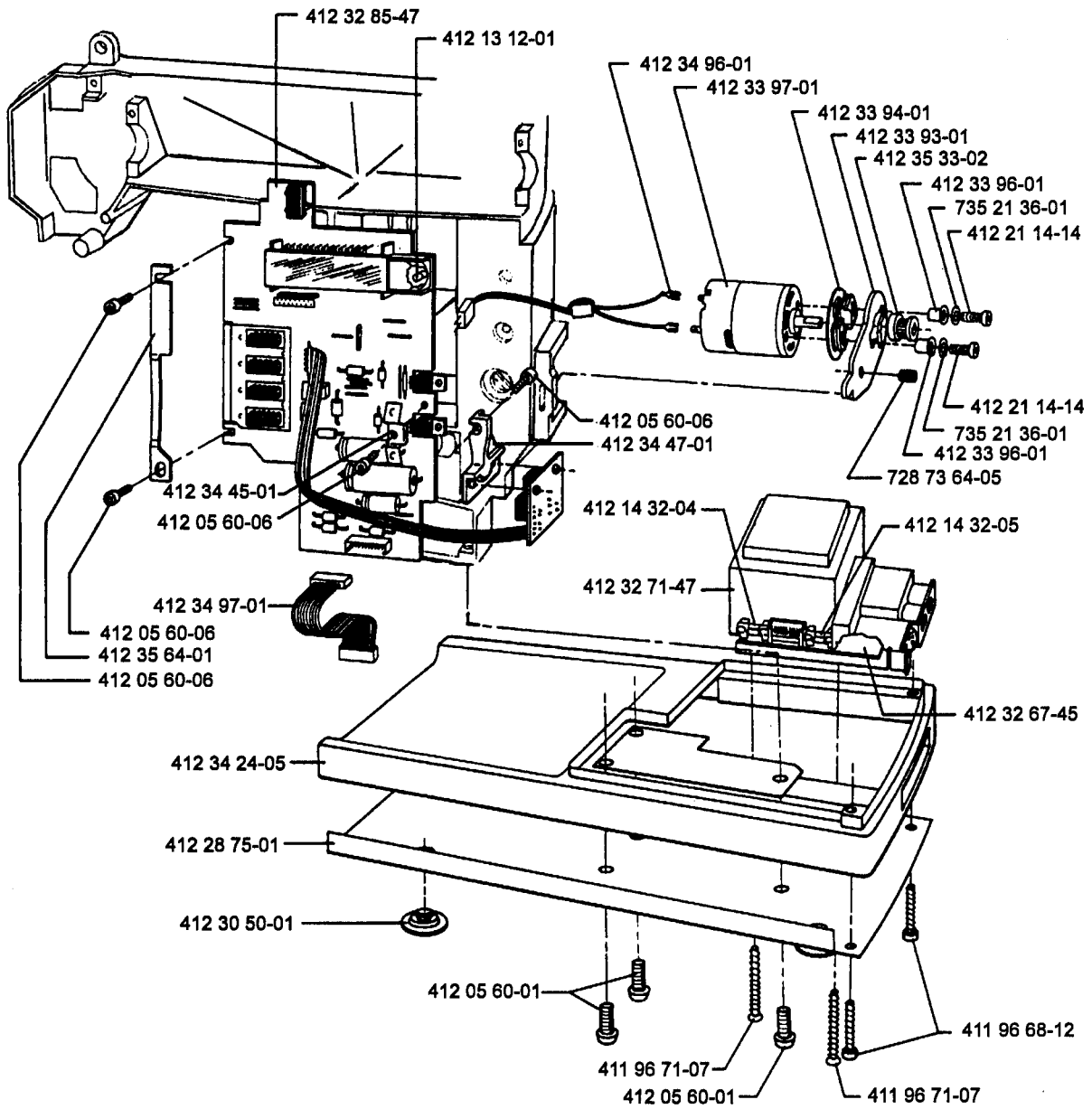


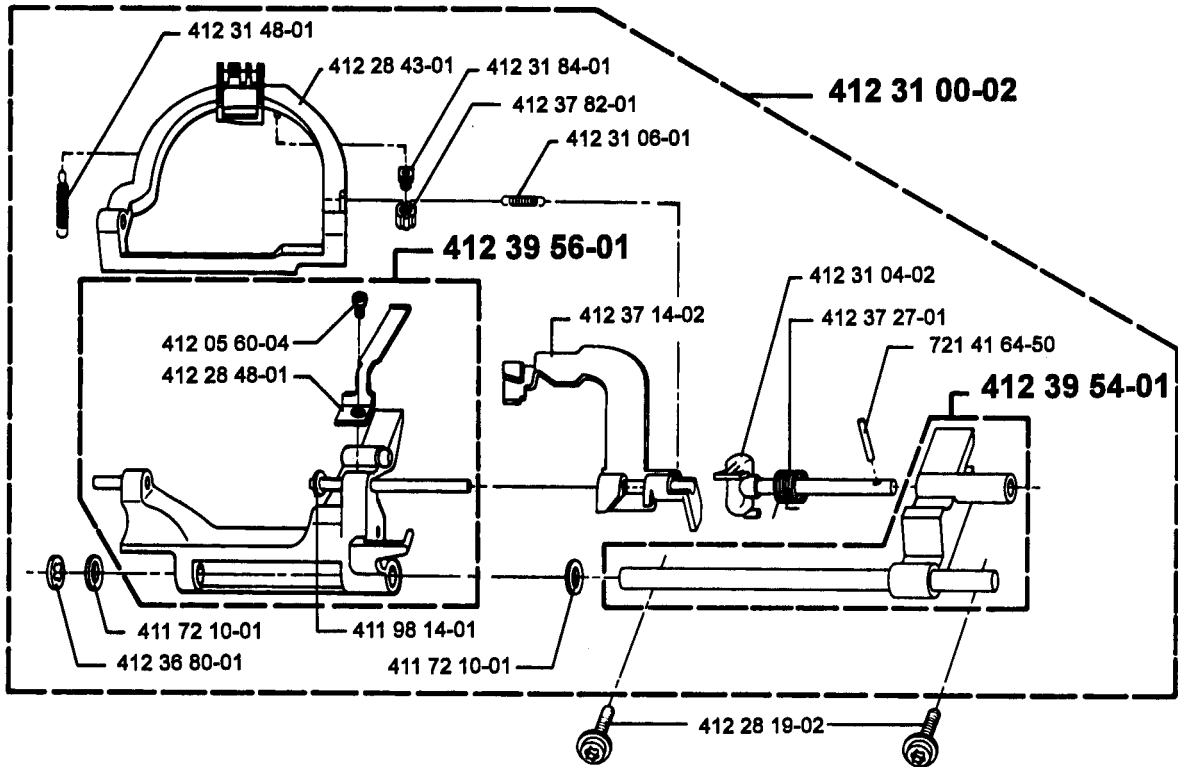
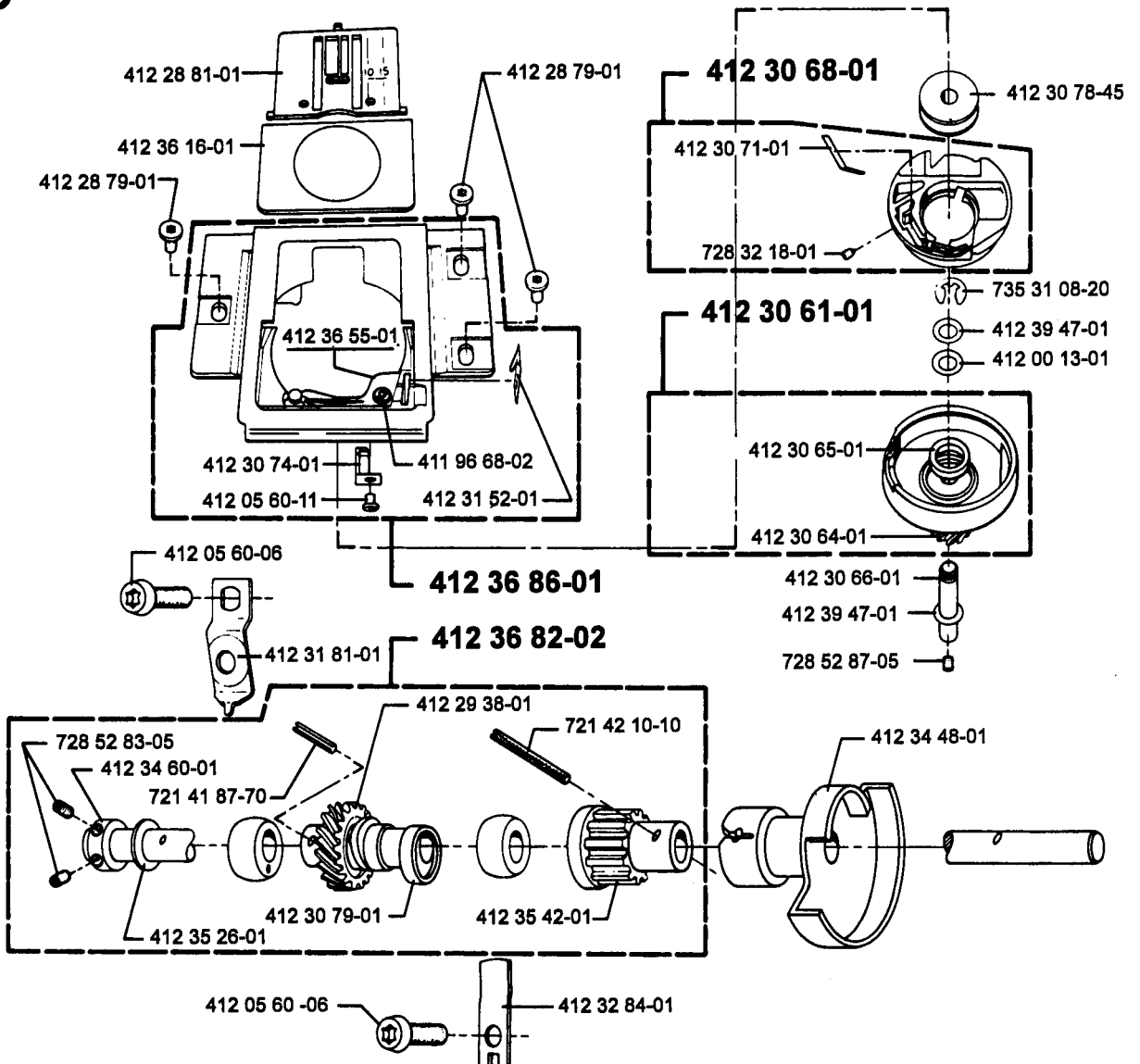
412 37 71-16
412 37 71-17



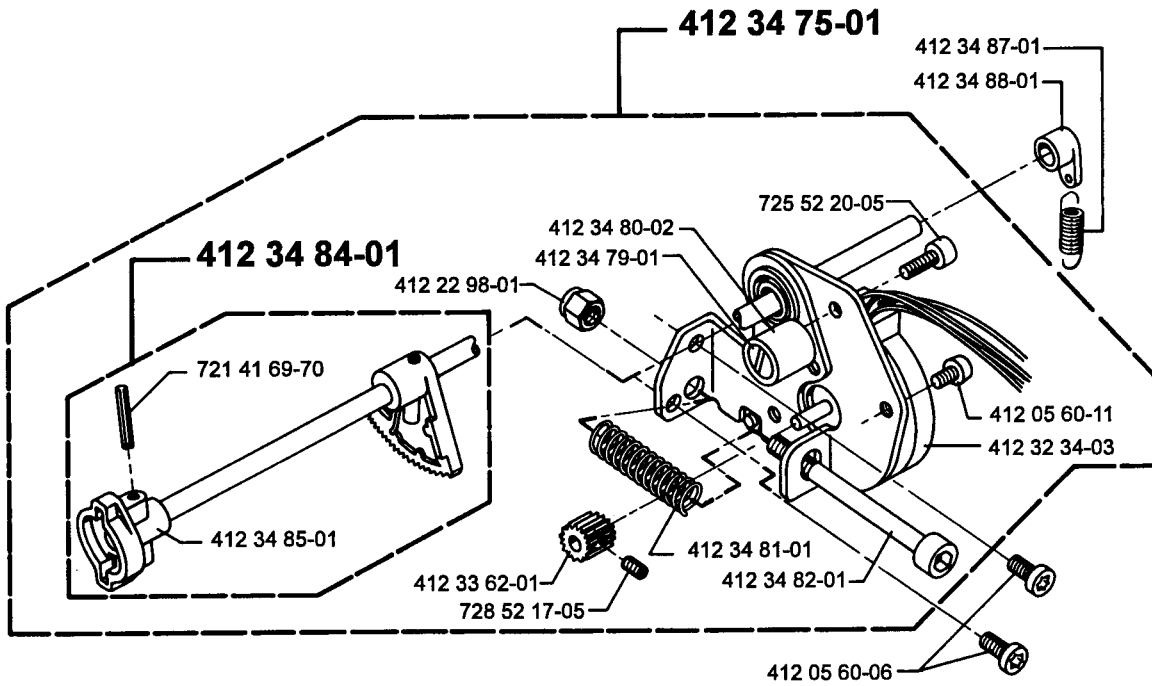
412 32 33-02

B

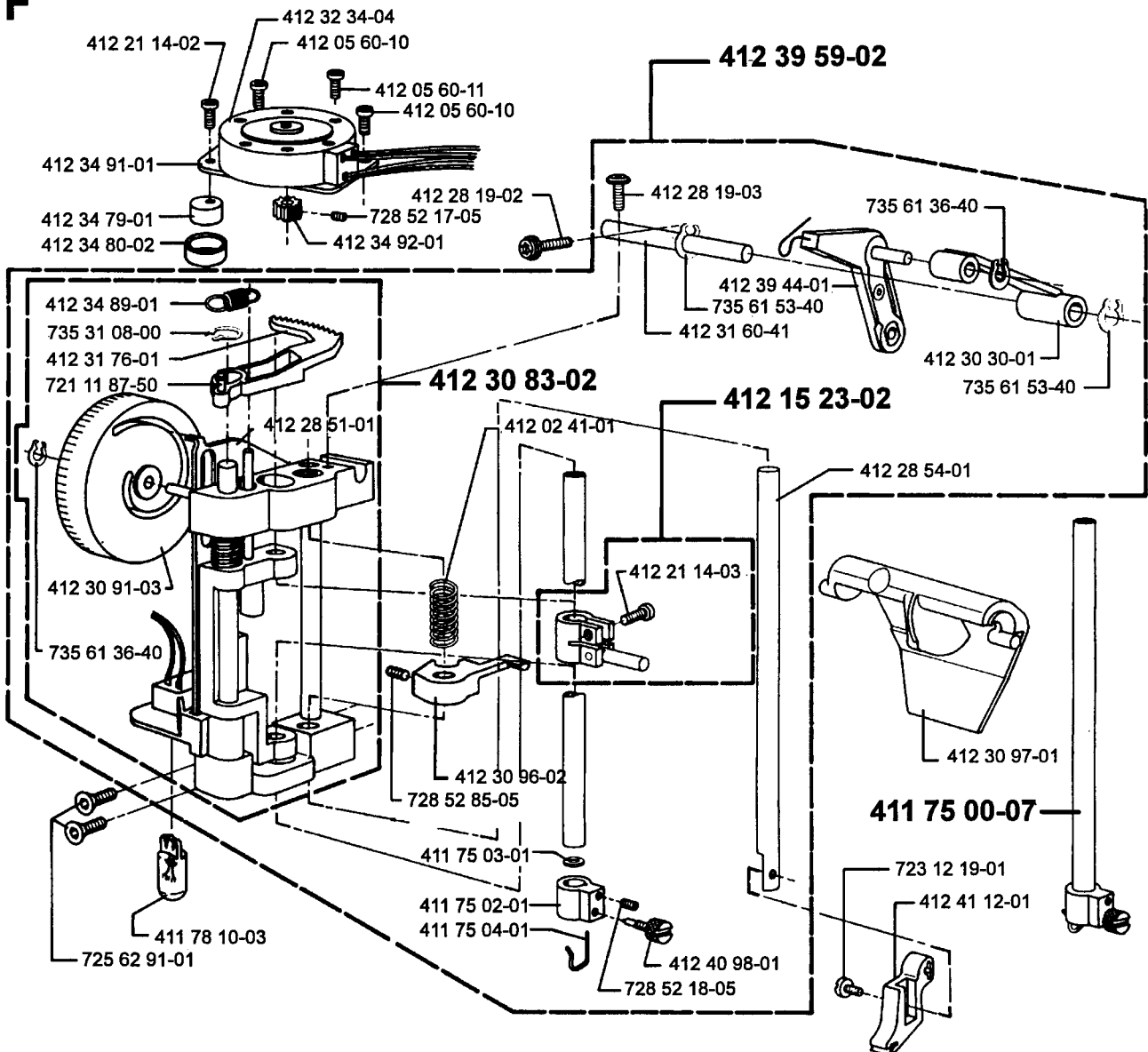


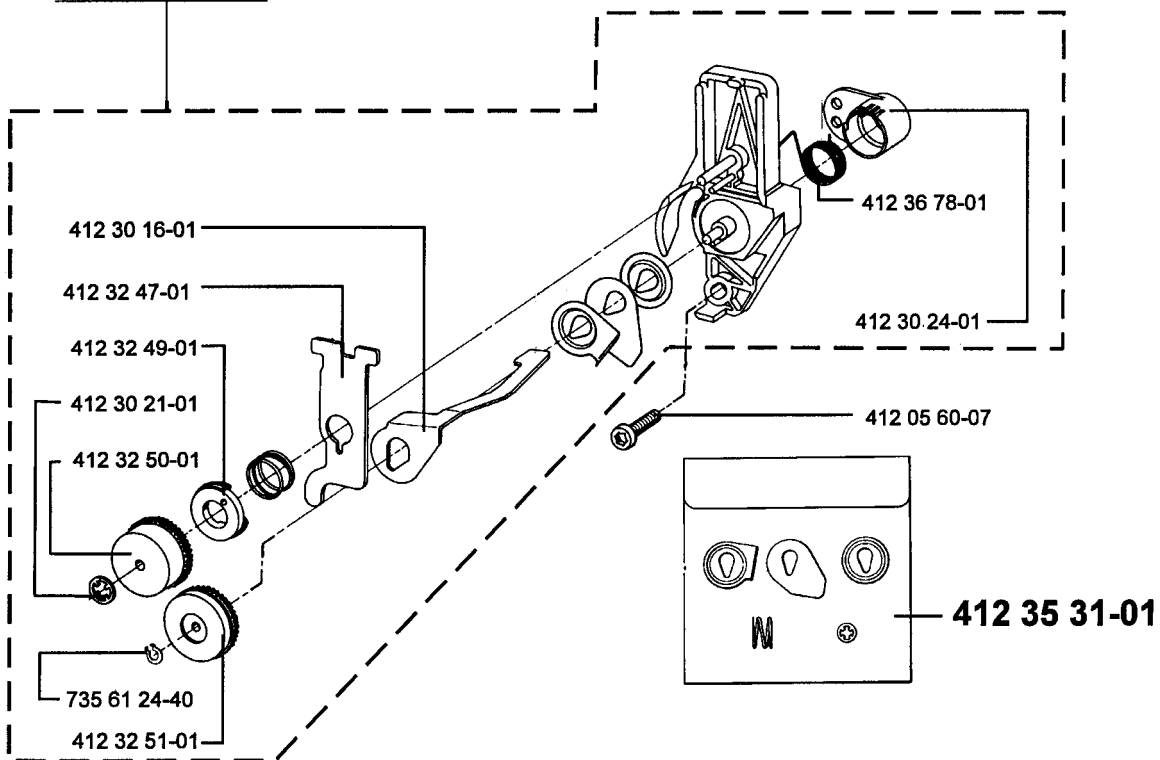
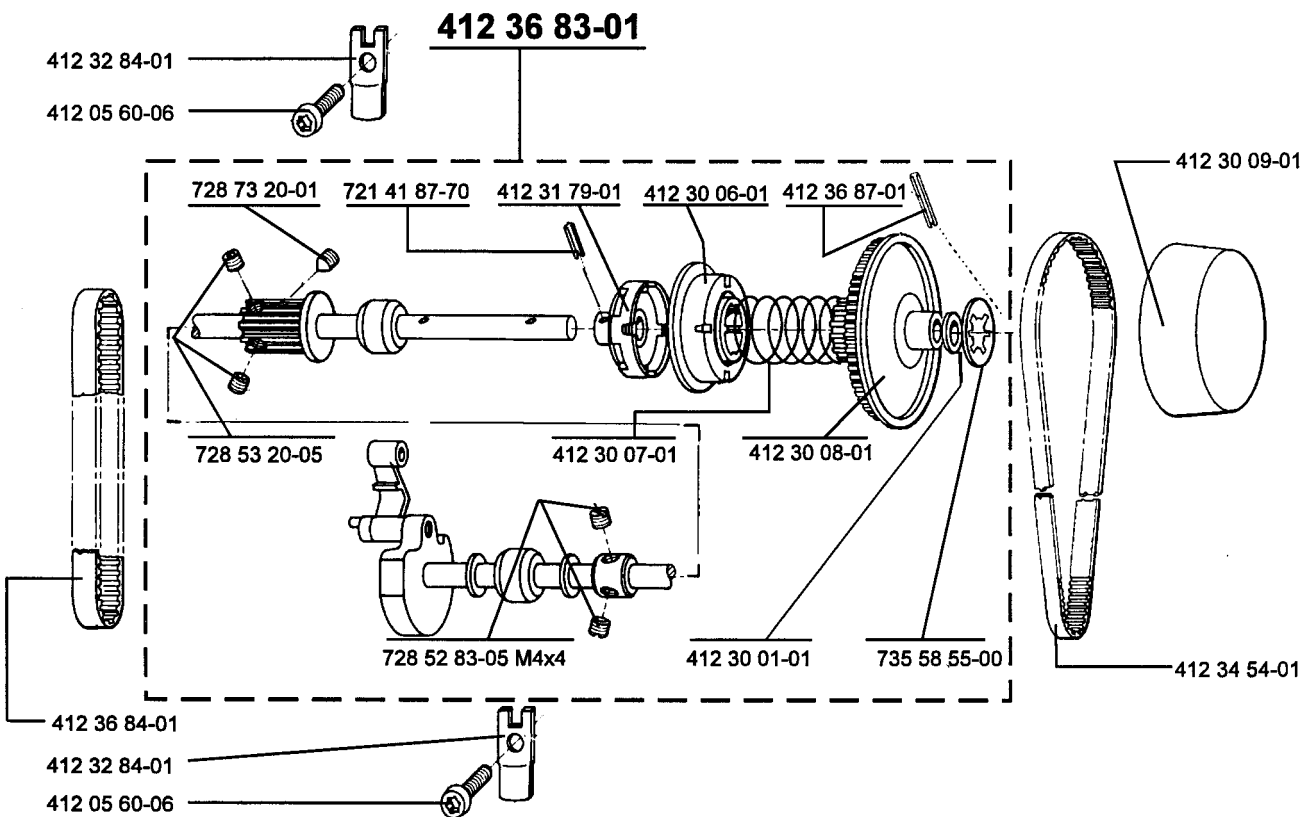
C**D**

E



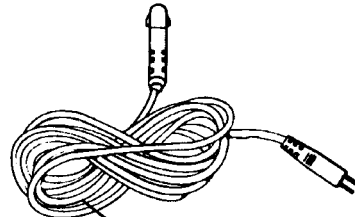
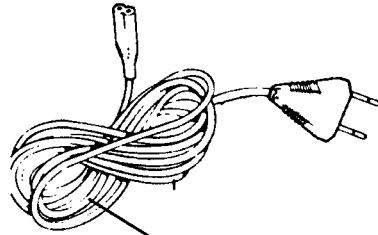
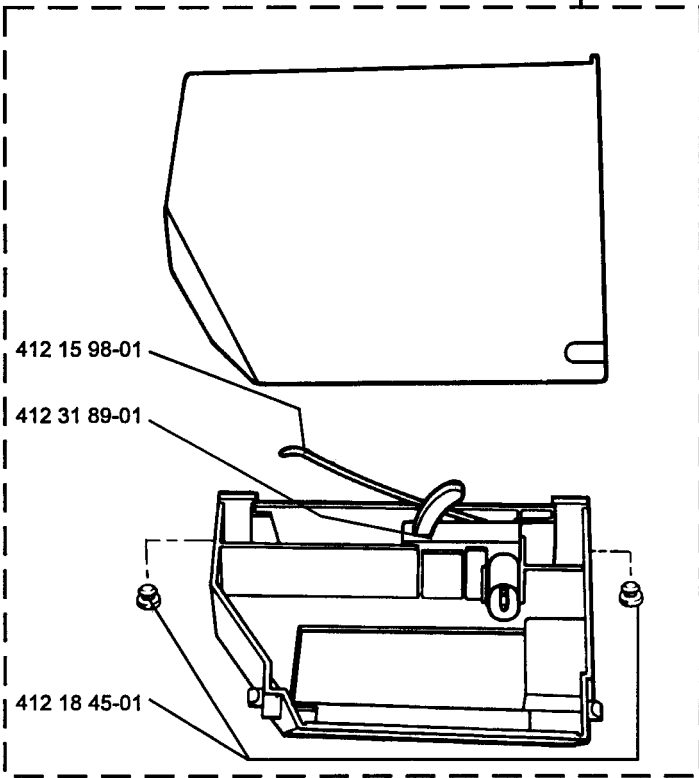
F



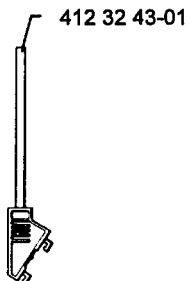
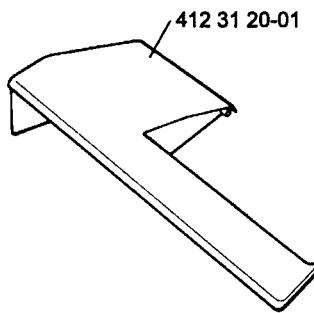
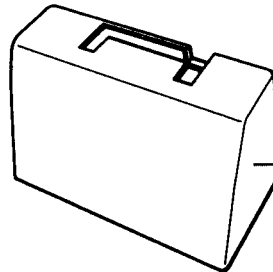
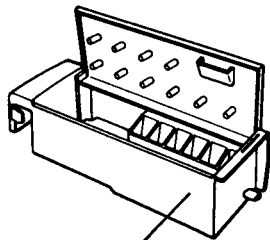
G**412 32 45-01****H****412 36 83-01**

J

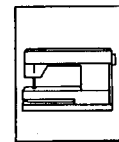
412 31 41-01



K



OPERATING MANUALS



ACCESSORIES

