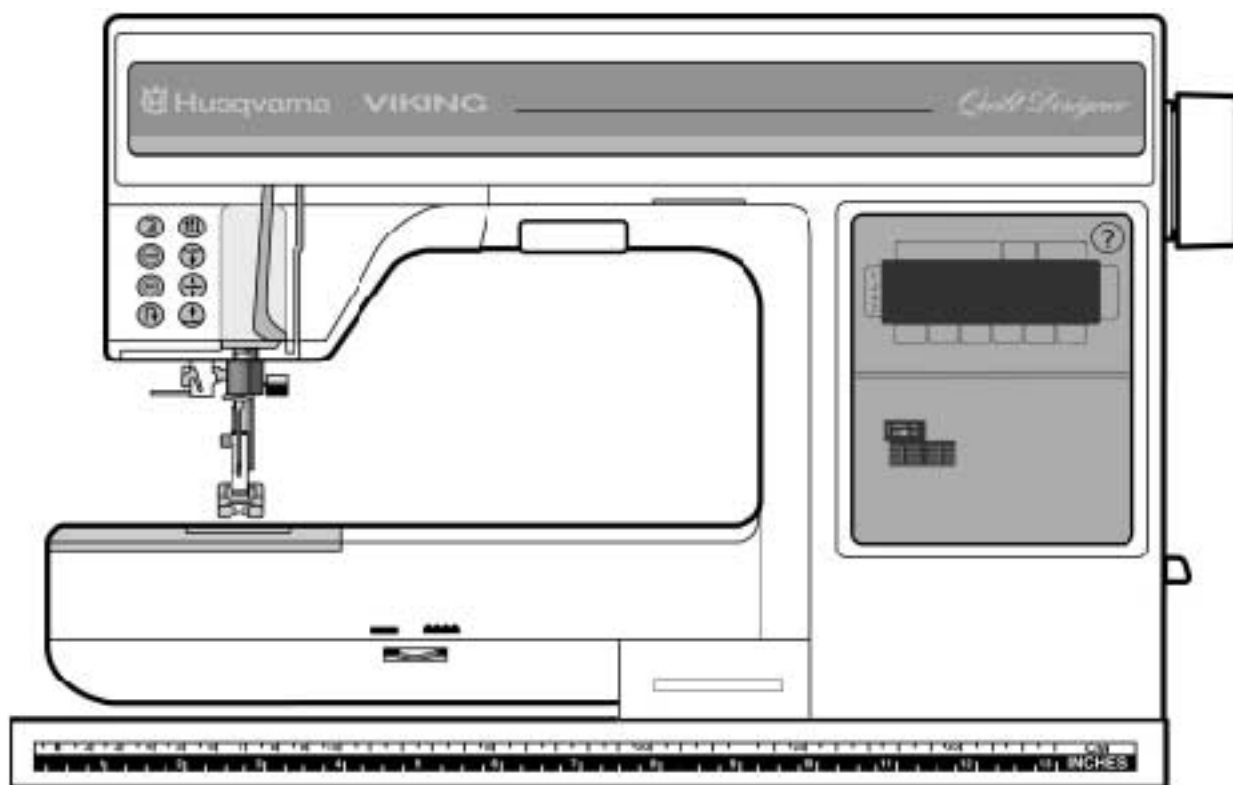


Parts List



Quilt Designer

| Part No | Description | Page | Part No | Description | Page |
|--------------|--|------------------|--------------|---|------|
| 411 72 10-01 | Washer | G | 412 44 40-02 | Hook | E |
| 411 75 00-08 | Needle bar | K | 412 44 44-01 | Gear | E |
| 411 75 03-02 | Screw | K | 412 44 87-01 | Spring, bobbin winding | B |
| 411 75 04-01 | Screw | K | 412 45 11-01 | Circuit board, push buttons left | A |
| 411 78 10-03 | Lamp | A, K | 412 45 23-01 | Knife, compl | B |
| 411 96 68-01 | Screw | A, D, K, | 412 45 24-01 | Knife holder | B |
| 411 96 68-03 | Screw | A, B, K | 412 45 38-01 | Circuit board, push buttons right | M |
| 411 96 68-04 | Screw | K | 412 46 45-01 | Screw | E |
| 411 96 68-05 | Screw | A, M | 412 47 16-01 | Thread tension | E |
| 411 96 68-10 | Screw | B | 412 48 09-01 | Protector take-up lever | A |
| 411 96 68-12 | Screw | C | 412 49 25-01 | Foot control compl. | N |
| 411 96 68-21 | Screw | K | 412 49 44-01 | Regulating unit / foot control | N |
| 411 96 68-25 | Screw | K | 412 49 49-01 | Distance | C |
| 411 96 68-26 | Screw | K | 412 50 01-01 | Sewing head, frame compl | K |
| 411 96 71-07 | Screw | C | 412 50 06-01 | Bearing | K |
| 411 96 74-01 | Screw | A | 412 50 08-01 | Gear segment | K |
| 411 96 75-01 | Washer | M | 412 50 09-01 | Spring | K |
| 412 00 13-01 | Washer | E | 412 50 10-01 | Spring | K |
| 412 05 60-01 | Screw | C | 412 50 11-01 | Link | K |
| 412 05 60-04 | Screw | A, F, H, | 412 50 15-01 | Bearing | K |
| 412 05 60-06 | Screw | B, C, F, H, I, L | 412 50 19-01 | Back holder, needle threader | K |
| 412 05 60-10 | Screw | F | 412 50 20-01 | Front holder, needle threader | K |
| 412 05 60-11 | Screw | G | 412 50 21-01 | Needle threader | K |
| 412 14 30-05 | Fuse 6.3A/250V | C | 412 50 22-01 | Setting plate | K |
| 412 14 30-06 | Fuse 2A/250V | C | 412 50 23-02 | Eccentric needle adjust. | K |
| 412 14 32-03 | Fuse 3.5A/250V | C | 412 50 24-01 | Cross head compl. | K |
| 412 14 30-05 | Fuse 2A/250V | C | 412 50 27-01 | Calibration stop | K |
| 412 15 27-01 | Cog wheel | F | 412 50 31-01 | Rack compl. | K |
| 412 15 78-01 | Cord device 220 V | N | 412 50 34-01 | Pressar bar lifter | K |
| 412 15 79-02 | Cord device Japan | N | 412 50 41-01 | Spring | K |
| 412 15 79-03 | Cord device 120 V | N | 412 50 42-01 | Connecting Board, sewing head | K |
| 412 15 81-01 | Cord device Australia | N | 412 50 43-01 | Lamp holder compl. | K |
| 412 15 98-01 | Spring | N | 412 50 46-01 | Wedge | K |
| 412 18 45-01 | Foot | N | 412 50 47-01 | Clamp ring | K |
| 412 19 53-01 | Washer | F | 412 50 48-01 | Clamp ring | K |
| 412 21 14-03 | Screw | K | 412 50 52-01 | Plate | K |
| 412 21 14-04 | Screw | K | 412 50 55-01 | Frame, lower | K |
| 412 21 14-06 | Screw | K | 412 50 56-01 | Step motor | K |
| 412 21 14-14 | Screw | C | 412 50 60-01 | Side feeding unit | F |
| 412 21 14-20 | Screw | G | 412 50 63-01 | Draw bar | F |
| 412 22 98-01 | Nut | H | 412 50 64-01 | Cog segment | F |
| 412 28 19-02 | Screw | G, K | 412 50 65-01 | Clamp | F |
| 412 28 54-02 | Presser bar | K | 412 50 66-01 | Draw bar | F |
| 412 28 79-01 | Screw | D | 412 50 72-01 | Spring | H |
| 412 30 06-01 | Driver | L | 412 50 73-01 | Eccentric | F |
| 412 30 07-01 | Spring | L | 412 50 87-01 | Spring | D |
| 412 30 08-01 | Pully | L | 412 50 88-01 | Damper | D |
| 412 30 09-02 | Handwheel | L | 412 51 05-01 | Cover, thread cutter | D |
| 412 30 30-01 | Guide arm | K | 412 51 21-02 | Hook cover | D |
| 412 30 50-01 | Foot | C | 412 51 33-01 | Bobbin holder | D |
| 412 30 55-01 | Rubber ring | B | 412 51 34-01 | Bobbin hatch | D |
| 412 30 66-01 | Shaft | E | 412 51 36-01 | Feed unit | G |
| 412 31 69-01 | Spring | K | 412 51 37-01 | Guide compl. With carriger | G |
| 412 31 79-01 | Clutch | L | 412 51 43-01 | Block, guide | G |
| 412 31 81-01 | Clamp | I | 412 51 44-01 | Feed carriage | G |
| 412 31 84-01 | Bushing, feed dog | G | 412 51 49-01 | Spring | G |
| 412 32 27-04 | Bobbin winding unit | B | 412 51 50-01 | Feed dog compl. | G |
| 412 32 33-02 | Sealing washer | B | 412 51 51-01 | Feed dog | G |
| 412 32 34-08 | Step motor compl. Z-Z | K | 412 51 53-01 | Spring | G |
| 412 32 34-09 | Step motor compl. Feeding | H | 412 51 54-01 | Lever, Feed lift | G |
| 412 32 71-45 | Transformer comp 220-240V | C | 412 51 55-01 | Spring | G |
| 412 32 71-46 | Transformer comp. 120V | C | 412 51 56-01 | Stop ring | G |
| 412 32 71-48 | Transformer comp. 100V | C | 412 51 63-01 | Worm gear | I |
| 412 32 84-01 | Clamp | I, L | 412 51 64-01 | Holder, stopright card | C |
| 412 33 62-45 | Cog wheel | K | 412 51 68-01 | Lower shaft | I |
| 412 33 75-01 | Spring | F | 412 51 69-01 | Eccentric feed | I |
| 412 33 93-01 | Attatchment, motor | C | 412 51 70-01 | Distance | I |
| 412 33 94-01 | Muffler, motor | C | 412 51 76-01 | Accessory box | O |
| 412 33 97-02 | Motor | C | 412 51 89-01 | Nut | M |
| 412 34 26-01 | Spring | B | 412 51 90-01 | Housing, Thread tension | M |
| 412 34 50-01 | Eccentric | B | 412 51 91-01 | Sensor | M |
| 412 34 51-01 | Adjusting arm | B | 412 51 92-01 | Spring | M |
| 412 34 54-01 | Cog belt, motor | L | 412 51 94-01 | Adjusting sleeve | M |
| 412 34 60-01 | Stop ring | I | 412 51 95-01 | Push buttons | M |
| 412 34 81-01 | Spring | H | 412 51 97-02 | Cover thread tension clean Replaces 412 51 97-01 | M |
| 412 34 82-01 | Screw | H | 412 51 98-02 | Thread guide | A |
| 412 34 85-01 | Joint cross | H | 412 52 05-01 | Lamp comp. | A |
| 412 34 88-01 | Fastner | H | 412 52 08-01 | Lamp guard | A |
| 412 34 96-01 | Cablage, motor | C | 412 52 09-01 | Thread holder | A |
| 412 34 97-01 | Cablage for PC Board | C | 412 52 10-01 | Reel pin | A |
| 412 35 26-01 | Washer | I | 412 52 14-01 | Spring | M |
| 412 35 33-02 | Driving wheel compl. | C | 412 52 15-01 | Heat protector | A |
| 412 35 42-01 | Pully | I | 412 52 16-03 | Lid cover (ESS) Replaces 412 52 16-01 | A |
| 412 35 62-01 | Pin | B | 412 52 20-01 | Hinge | A |
| 412 36 83-03 | Arm shaft compl. | L | 412 52 21-01 | Spring | A |
| 412 36 84-01 | Cog belt | L | 412 52 23-01 | Bushing | A |
| 412 36 87-01 | Pin | L | 412 52 25-02 | Back cover, upper (ESS) Replaces 412 52 25-01 | B |
| 412 37 11-01 | Thread real disc (small) | A | 412 52 26-01 | Handle | B |
| 412 37 11-02 | Thread real disc (big) | A | 412 52 28-01 | Back cover, free arm | B |
| 412 37 82-01 | Nut | G | 412 52 33-01 | Base plate, cover | C |
| 412 39 09-28 | Plastic bag with acc. Replaces 412 39 09-22 | O | 412 52 34-01 | Base plate | C |
| 412 39 47-01 | Washer, hook | E | 412 52 92-01 | Cover | O |
| 412 40 97-01 | Screw | K | 412 53 03-01 | Screen | I |
| 412 42 37-01 | Knife | A, B, D | 412 53 30-03 | Stitch plate | D |

| Part No | Description | Page |
|--------------|-------------------------------|------|
| 412 53 34-01 | Guide, real pin | A |
| 412 53 36-01 | Link | A |
| 412 53 37-01 | Knob, feed dog lowering | A |
| 412 54 02-01 | Feeding unit | H |
| 412 54 06-01 | Calibration stop | H |
| 412 54 07-01 | Calibration stop / outer | H |
| 412 54 08-01 | Cog wheel | H |
| 412 54 10-01 | Shaft | H |
| 412 54 48-01 | Thread guide | A, M |
| 412 54 56-01 | Spring | C |
| 412 54 67-01 | Transformer compl. | A |
| 412 54 69-01 | Cable, conn card, sewing head | C |
| 412 54 69-02 | Cable, conn card- left | A |
| 412 54 69-03 | Cable, conn card- right | M |
| 412 54 69-04 | Cable, conn card, stop right | C |

| | | |
|--------------|----------------------------|---|
| 412 54 69-05 | Cable compl 8pol | |
| 412 54 69-06 | Cable compl 18pol | A |
| 412 54 96-01 | Holder | A |
| 412 54 97-01 | Tap, thread guard | M |
| 412 54 98-01 | Washer | M |
| 412 55 01-01 | Bobbin case compl. | E |
| 412 55 40-01 | Frame Y-unit | R |
| 412 55 42-01 | Cable holder | A |
| 412 55 43-01 | Cover, bobbin winding | A |
| 412 55 48-01 | Step motor, thread tension | M |
| 412 55 62-01 | Step motor | F |
| 412 55 79-01 | Thread guide | A |
| 412 55 80-01 | Thread guide | A |
| 412 55 81-01 | Washer | M |
| 412 55 82-01 | Cable | C |

| | | |
|--------------|---------------------------|---|
| 412 55 84-01 | Damper | L |
| 412 55 93-01 | Circuit board, stop right | C |
| 412 56 15-45 | Bobbin 10 pack | E |
| 412 56 22-01 | Cable holder, arm shaft | A |
| 412 56 31-01 | Thread guide | A |
| 412 56 54-01 | Accessories , Embroidery | S |
| 412 56 85-01 | Dust cover | E |
| 412 56 86-01 | Adjusting washer | E |
| 412 56 97-01 | Distance, back cover | B |
| 412 57 75-03 | Cable holder | C |
| 412 57 78-01 | ESD-cable | H |
| 412 58 25-01 | Screw | K |
| 412 58 99-01 | Distance | B |
| 412 59 01-01 | Cog wheel | M |

| | | |
|--------------|----------------------------|---|
| 412 59 11-01 | Cable | K |
| 412 59 78-01 | ESD-spring | C |
| 412 60 01-01 | Needle bar frame | K |
| 412 60 02-01 | Sewing head | K |
| 412 60 03-01 | Thread take up | K |
| 412 60 05-02 | Thread tension unit | M |
| 412 60 06-01 | Washer set, thread tension | M |
| 412 60 10-01 | Distance, step motor | M |
| 412 61 11-01 | Touch board | A |
| 412 61 12-45 | LCD-board | A |
| 412 61 14-02 | Frame (ESS) | A |
| | Replaces 412 61 14-01 | |
| 412 61 15-01 | Lever | A |
| 412 61 16-01 | Plastic button | A |
| 412 61 31-01 | Spring | M |

| | | |
|--------------|-------------------------|-----|
| 412 61 32-01 | Heat protector, | A |
| 412 61 33-01 | Lever | M |
| 412 61 47-01 | Guide | K |
| 412 61 61-01 | Ankel | K |
| 412 62 34-01 | LCD | A |
| 412 62 75-01 | Memory connector | A |
| 412 65 13-01 | Thread guide | A |
| 412 66 32-01 | Threading device compl. | K |
| 412 66 73-01 | Spring | A |
| 412 67 50-01 | Cover plate, embroidery | B |
| 412 67 57-01 | Push buttons | A |
| 412 67 78-02 | Cover Thread tension | A,M |
| 412 67 83-45 | Circuit board | C |
| 412 68 76-01 | Alufoil | L |
| 412 74 94-03 | Front cover ESS | A |
| | Replaces 412 61 41-03 | |

| | | |
|--------------|-----|------|
| 721 41 69-70 | Pin | H |
| 721 41 87-70 | Pin | I, L |
| 721 42 10-10 | Pin | I |

| | | |
|--------------|------------|---|
| 725 52 20-05 | Screw M3*6 | H |
| 725 52 28-05 | Screw | K |
| 725 52 85-05 | Screw | K |

| | | |
|--------------|---------------|------------|
| 728 52 17-05 | Screw | F, H, M, K |
| 728 52 18-05 | Screw | K |
| 728 52 22-05 | Screw M3*8 | K |
| 728 52 83-05 | Screw M4*4 | G |
| 728 52 85-05 | Screw | K |
| 728 52 87-05 | Screw M4*8 | E |
| 728 53 20-05 | Screw | L |
| 728 73 20-01 | Screw | L |
| 728 73 64-05 | Screw 6*10 mm | C |
| 728 82 83-05 | Screw | I, L |

| Part No | Description | Page |
|--------------|----------------|------|
| 734 11 12-71 | Washer | D |
| 734 11 25-41 | Washer | K |
| 735 21 36-01 | Washer | C |
| 735 31 05-00 | C-Washer | M |
| 735 31 08-20 | C -Washer | E, |
| 735 58 23-00 | Washer | M |
| 735 58 35-00 | Locking washer | A |
| 735 58 55-00 | Washer | L |
| 735 61 13-40 | C-Washer | D |
| 735 61 18-40 | C-Washer | K |
| 735 61 36-40 | C-washer | F, K |
| 735 61 53-40 | C-Washer | K |

ACCESSORIES

| | | |
|--------------|----------------------|---|
| 401 53 99-01 | Buttonhole knife | O |
| 401 55 55-01 | Brush | O |
| 411 17 32-01 | Clearance plate | O |
| 412 08 38-47 | Marking pen, neutral | O |
| 412 56 15-45 | Bobbins (10) | O |
| 412 36 14-01 | Stitch plate opener | O |
| 412 38 15-01 | Screw driver | O |
| 412 39 77-01 | Net | O |
| 412 44 77-01 | Siccor | O |
| 412 49 06-01 | Templet pencil | O |
| 412 57 01-01 | Sleeve, lamp | O |
| 412 60 19-01 | Guide | O |
| 412 61 07-01 | Stylus | O |
| 412 69 34-01 | Filter badge | O |

PRESSERFEET

| | | |
|---------------|----------------------------------|---|
| 411 73 95-01 | Edge guide G | O |
| 411 85 30-01 | Presser foot H | O |
| 412 00 16 -01 | Presser foot decorative stitches | O |
| 412 34 65-01 | Presser foot S | O |
| 412 37 08-01 | Quilting foot P | O |
| 412 38 01-01 | Presser foot B | O |
| 412 38 02-01 | Buttonhole foot C | O |
| 412 38 04-01 | Presser foot D | O |
| 412 38 05-01 | Zipper foot E | O |
| 412 38 06-01 | Presser foot J | O |
| 412 40 80-01 | Button hole meter, comp. | O |
| 412 43 37-01 | Presser foot R | O |
| 412 61 76-01 | Presser foot A | O |

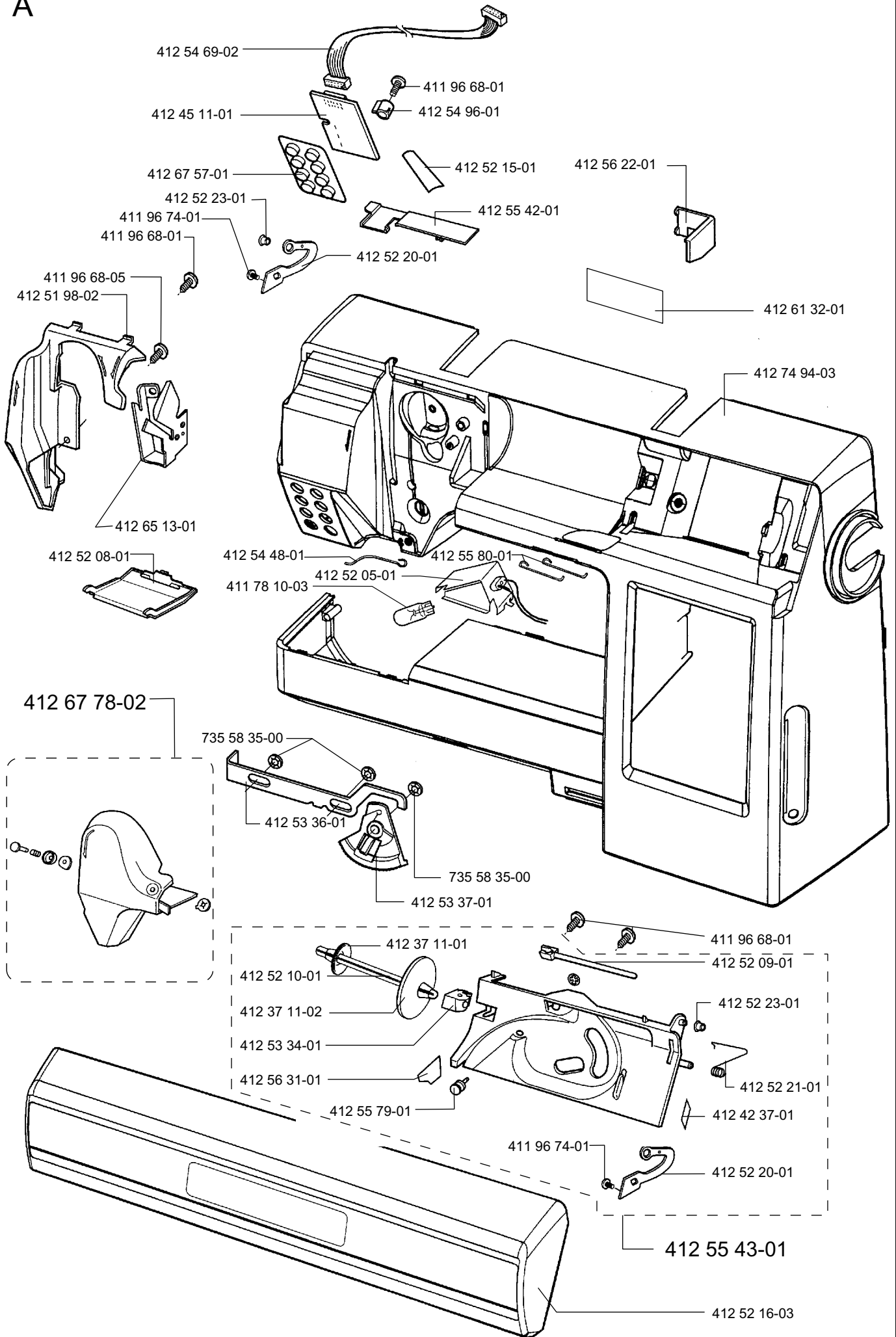
D-card

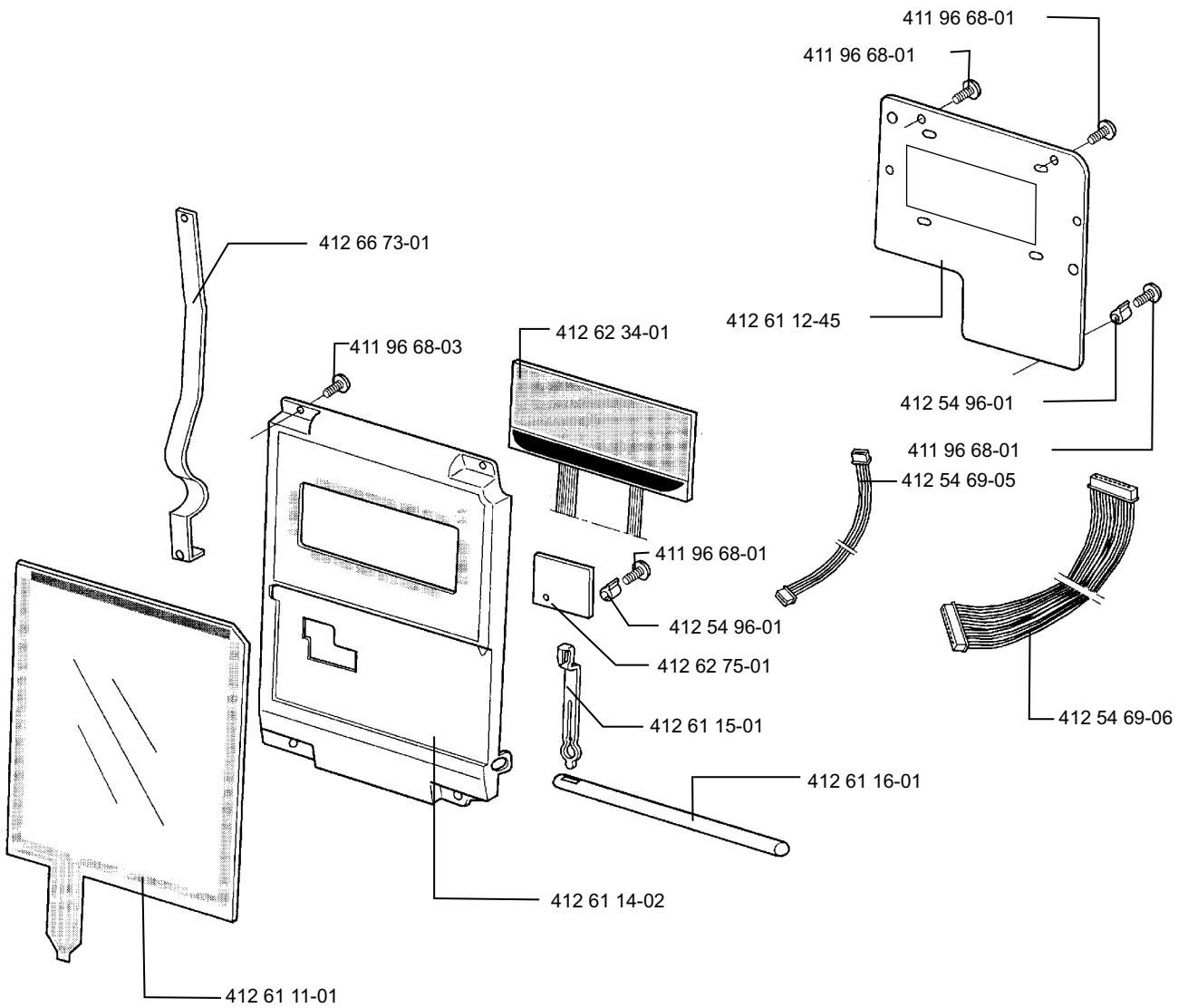
| | | |
|--------------|-------------------------------|---|
| 412 73 95-05 | D-card Quilt / Applique | O |
| 412 73 95-14 | D-card A utility complete | O |
| 412 73 95-16 | D-card Blockalphabet complete | O |
| 412 73 95-17 | D-card Service | O |

Users Guide

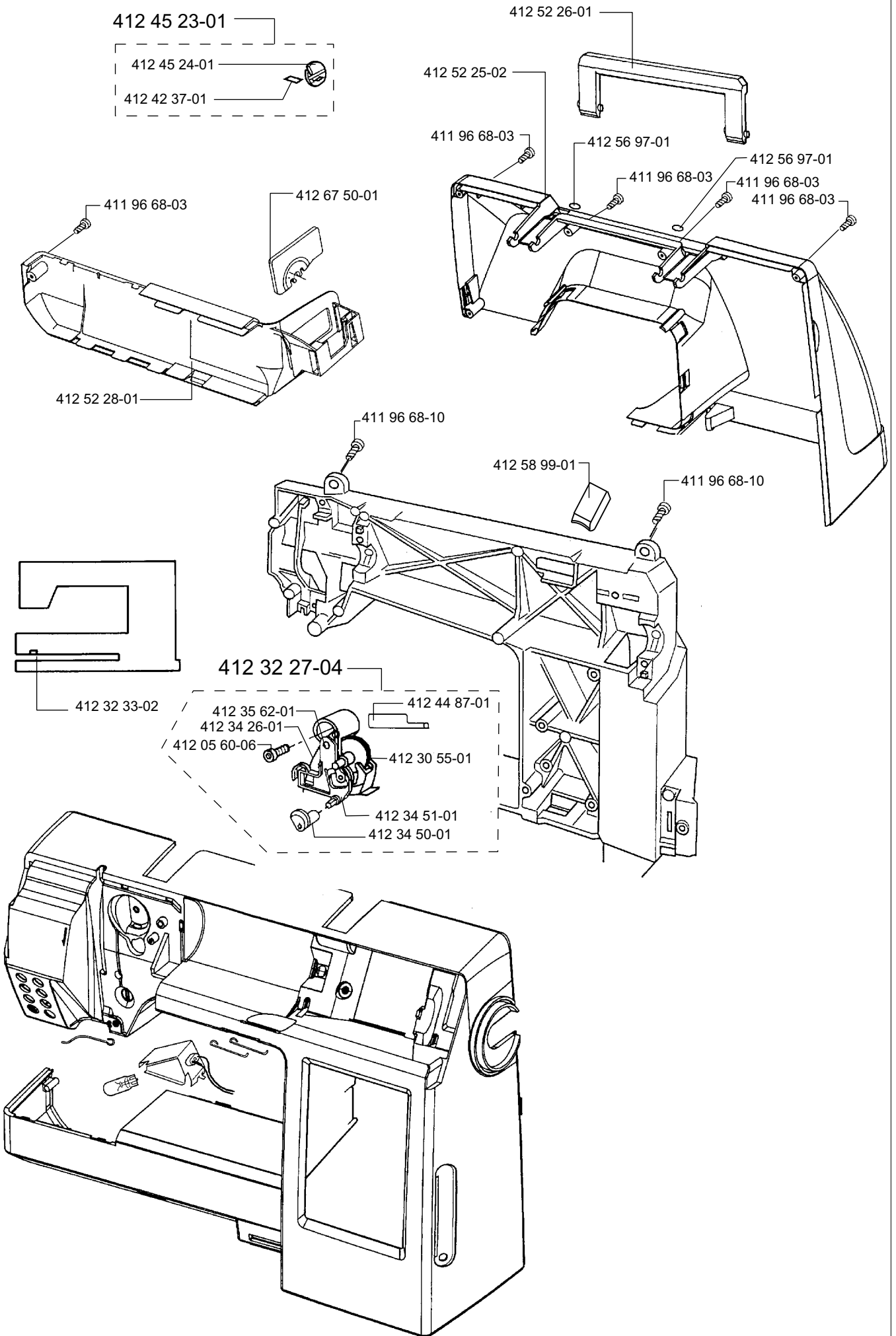
| | | |
|--------------|-------------------|---|
| 412 73 91-01 | Users Guide Swe | O |
| 412 73 91-06 | Users Guide Den | O |
| 412 73 91-10 | Users Guide Jap | O |
| 412 73 91-11 | Users Guide Fin | O |
| 412 73 91-21 | Users Guide Nor | O |
| 412 73 91-26 | Users Guide Eng | O |
| 412 73 91-31 | Users Guide Fra | O |
| 412 73 91-36 | Users Guide Dutch | O |
| 412 73 91-41 | Users Guide Ita | O |
| 412 73 91-46 | Users Guide Spa | O |
| 412 73 91-51 | Users Guide Ger | O |
| 412 73 91-56 | Users Guide Rus | O |

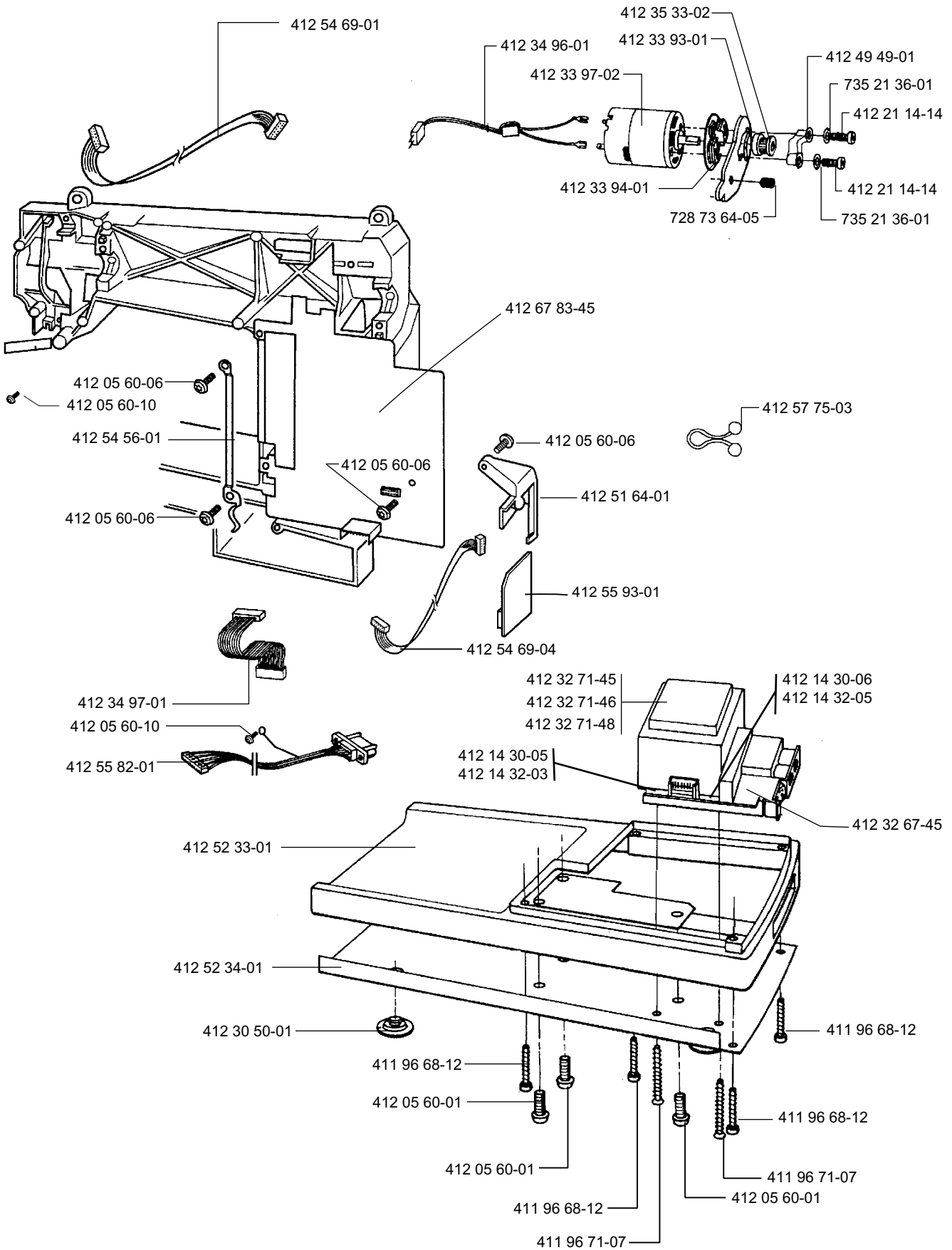
A



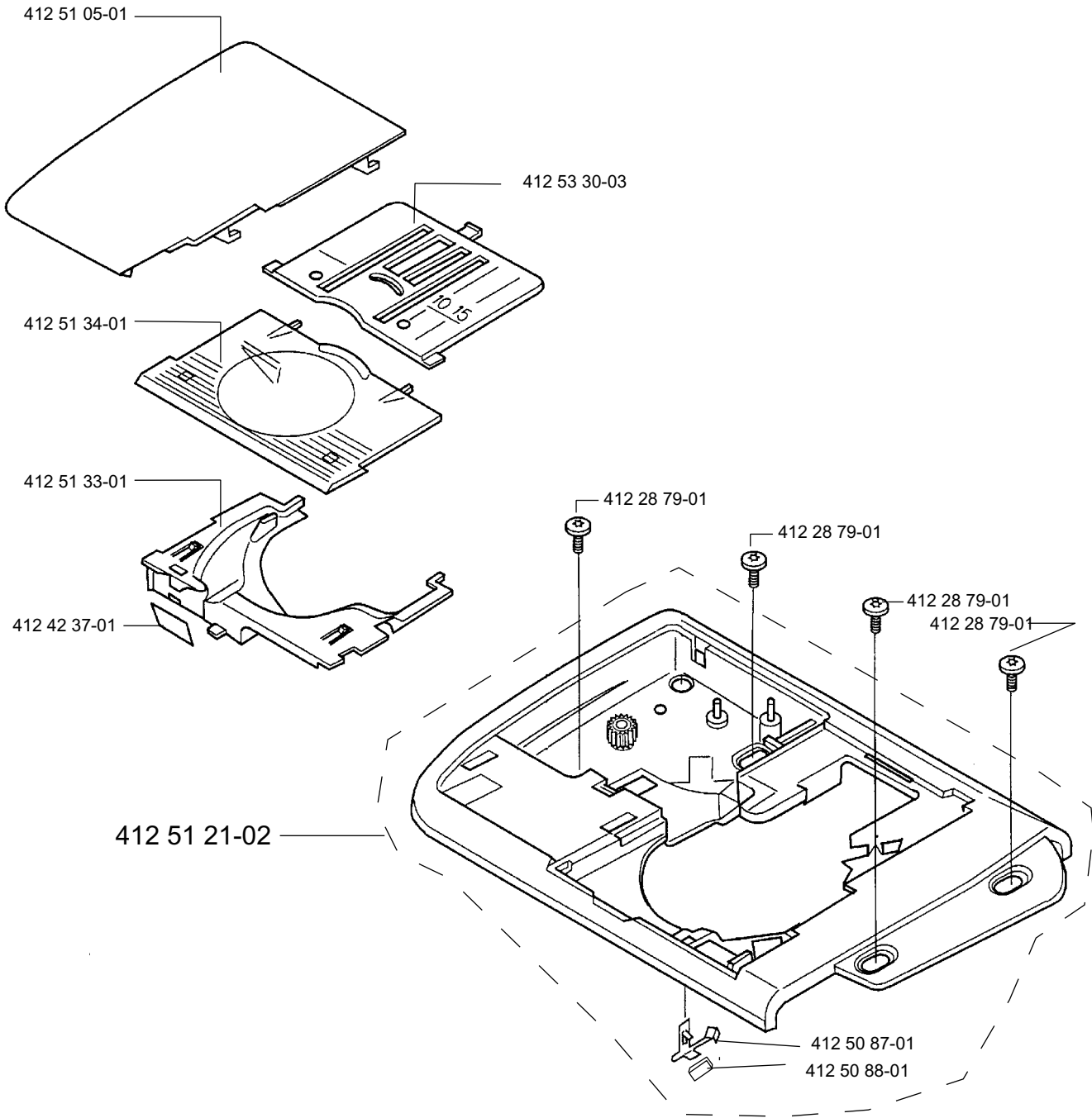


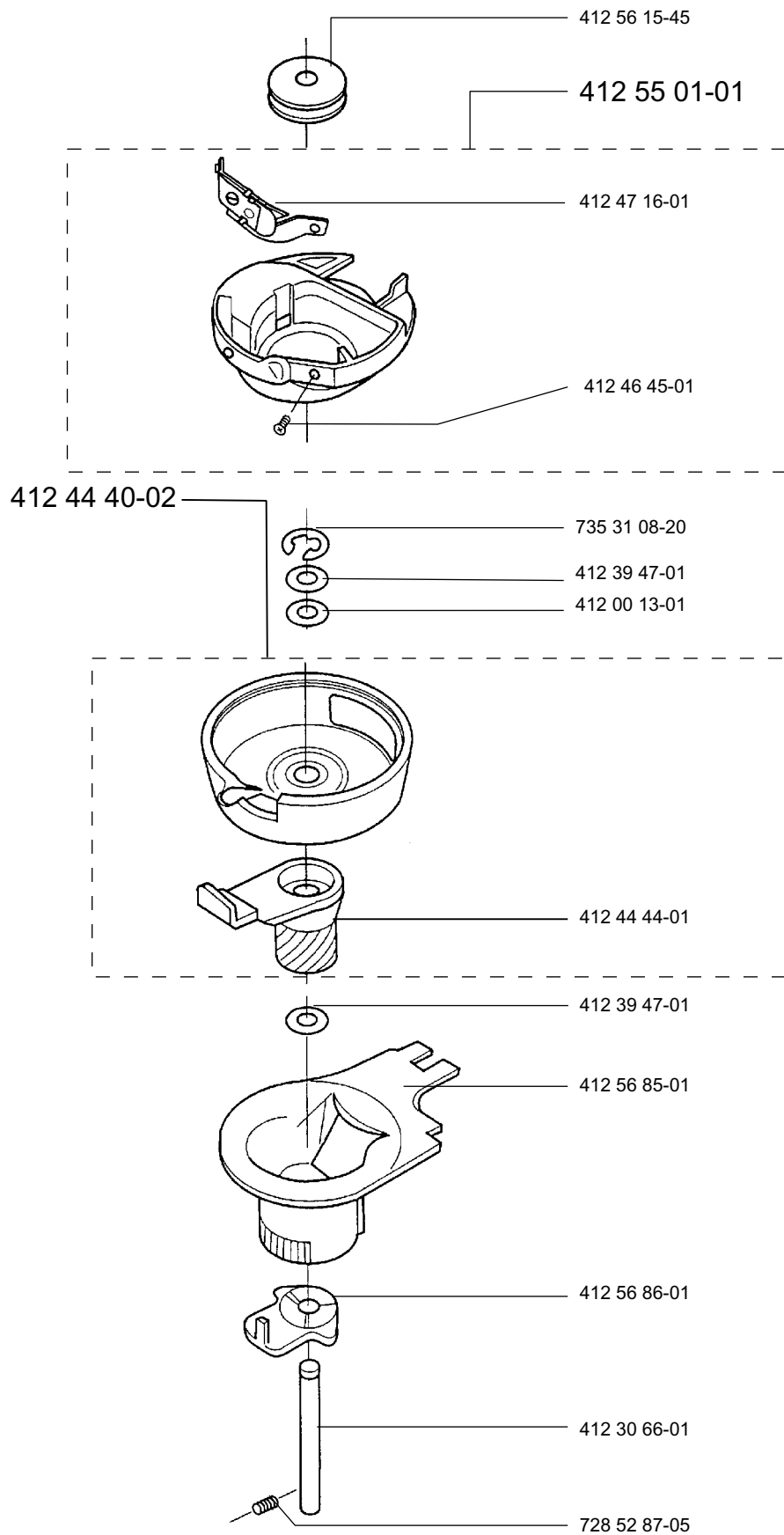
B



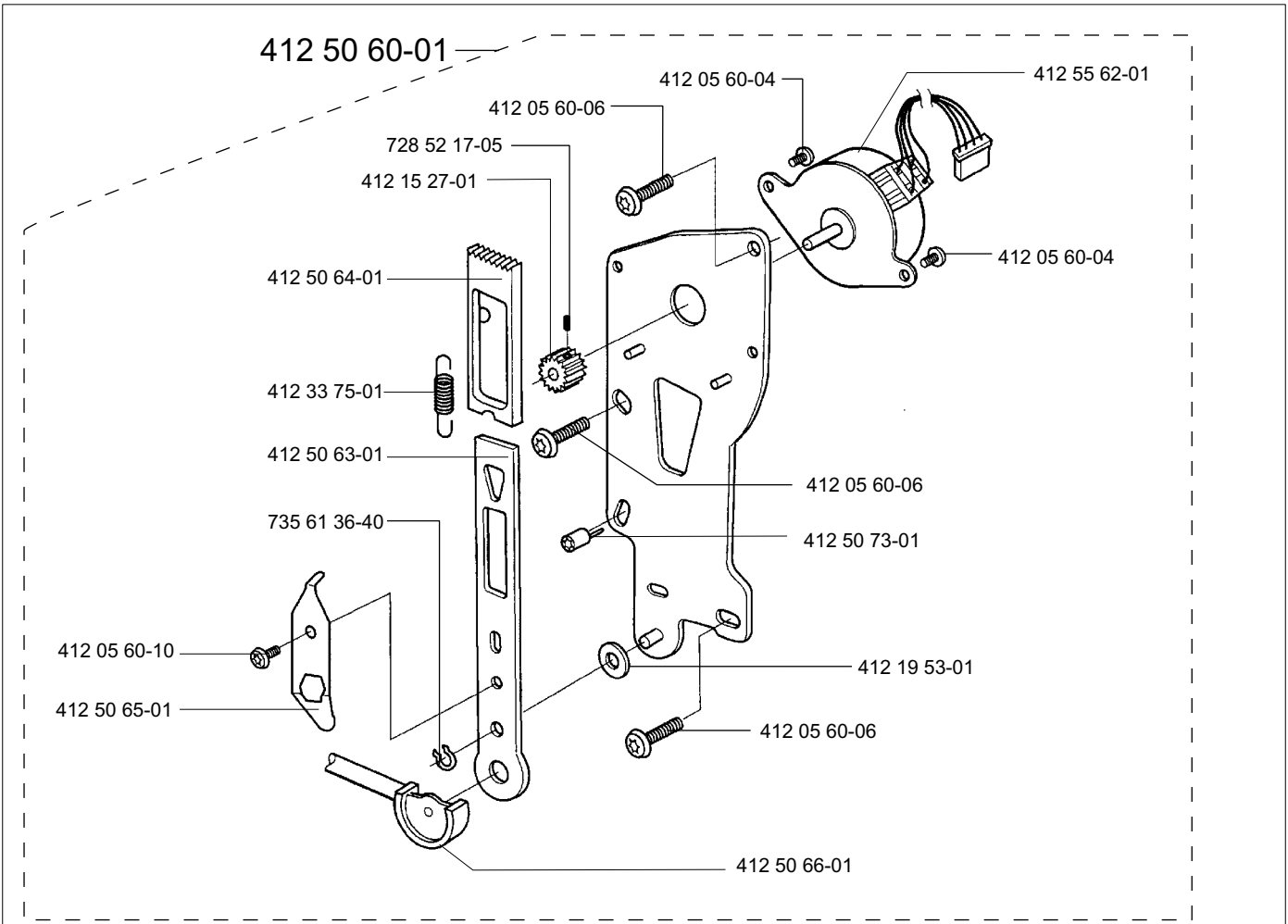


D

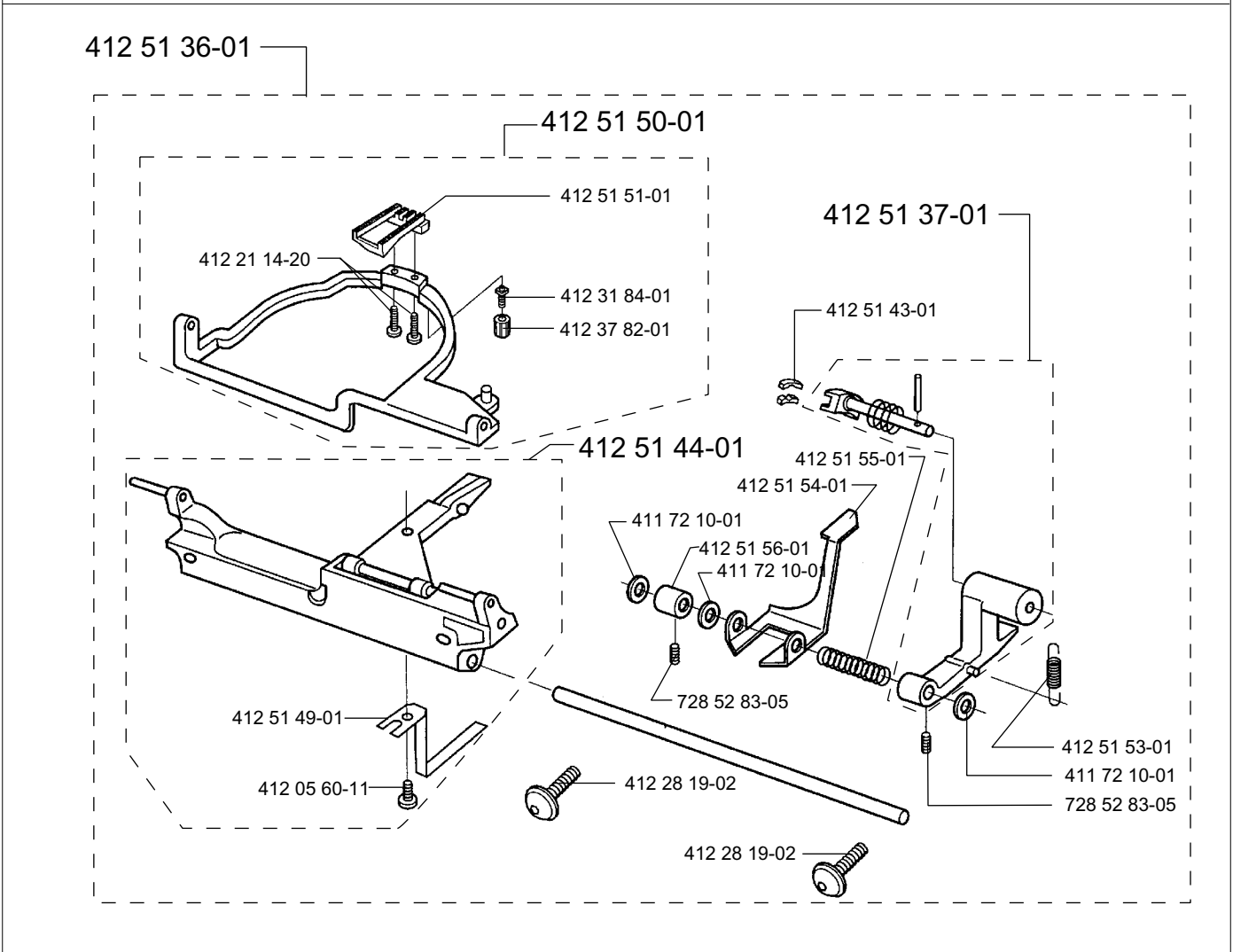


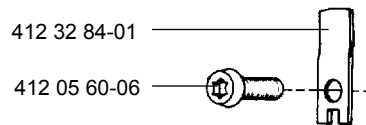
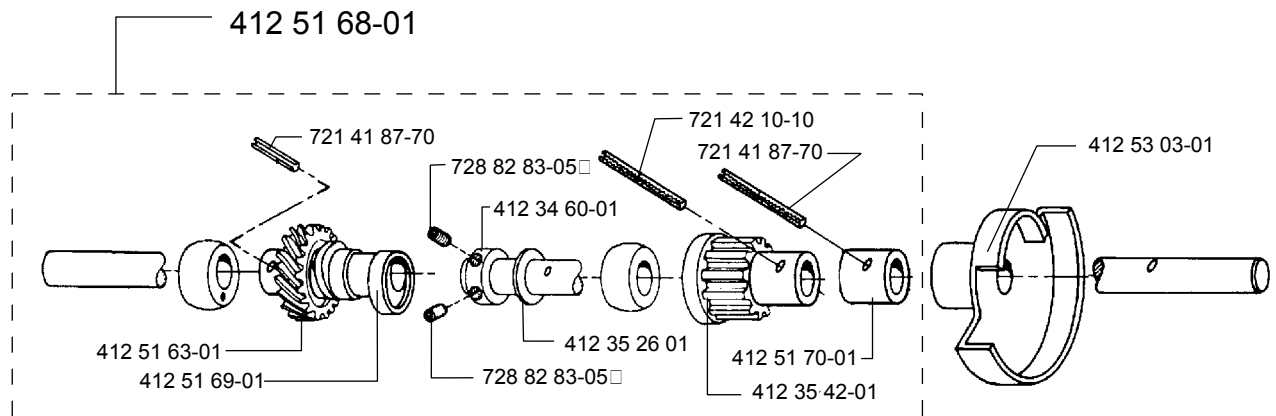
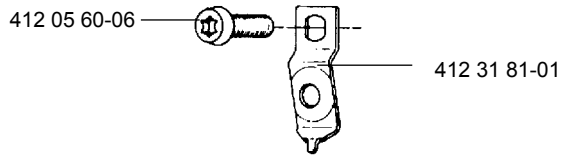
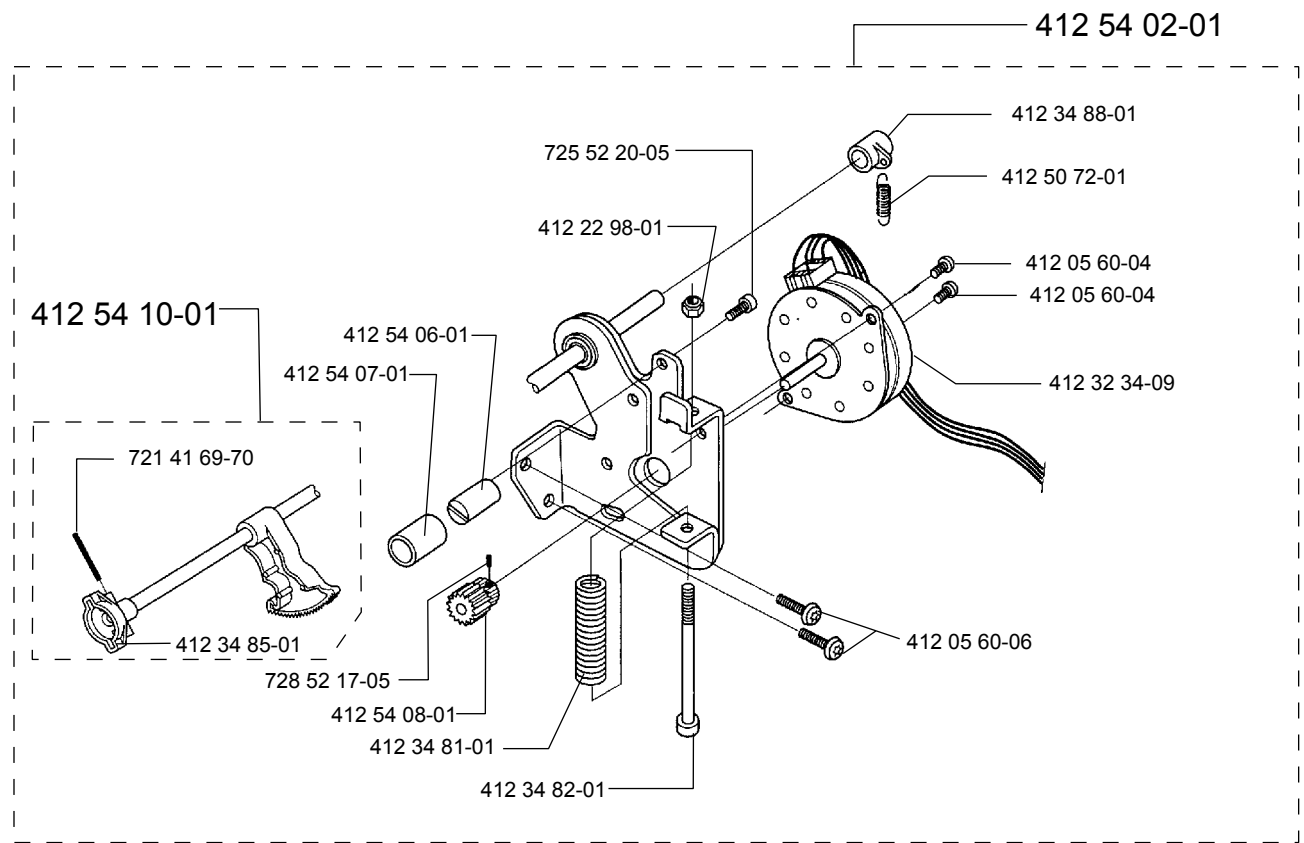


F

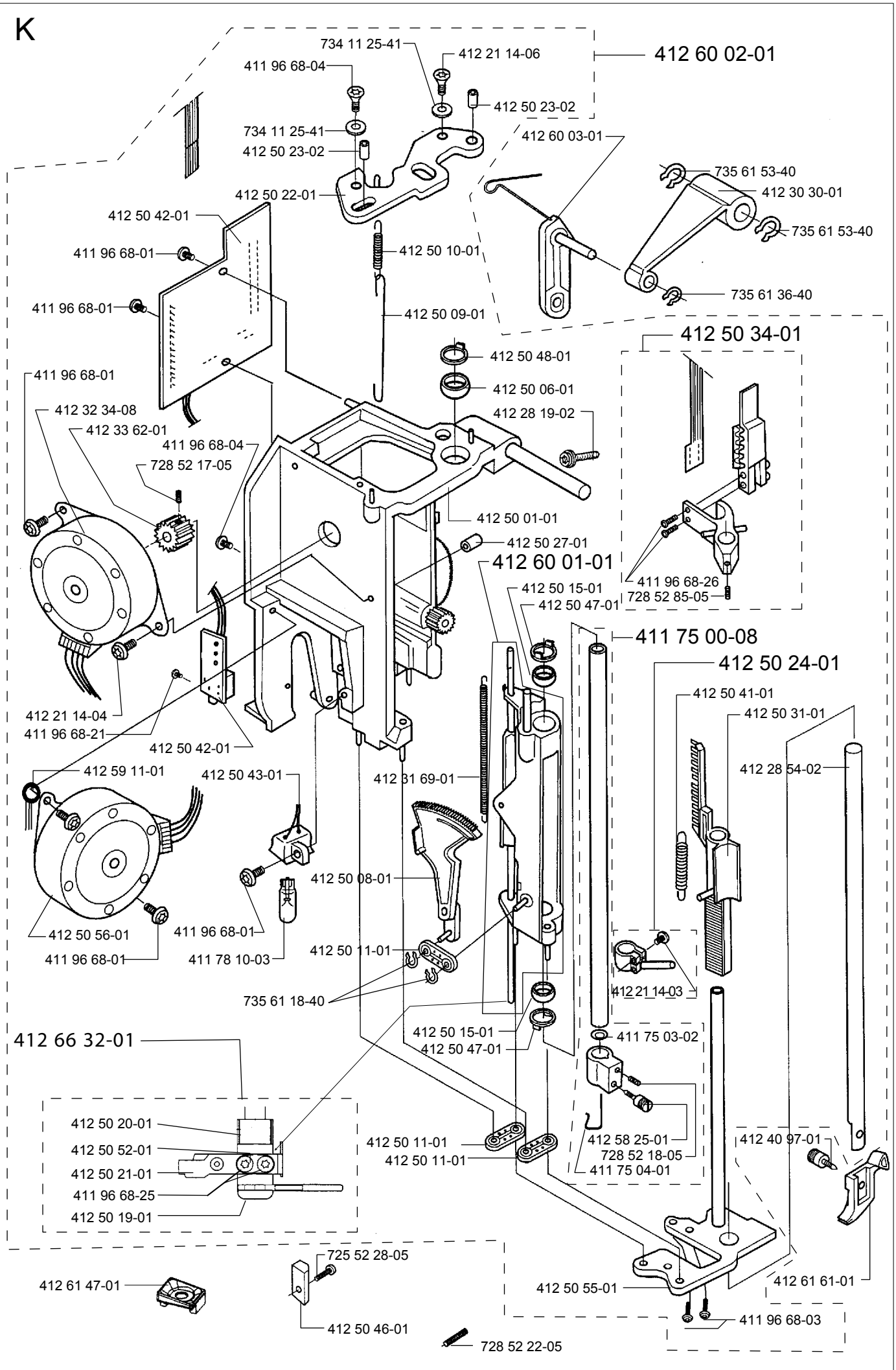


G

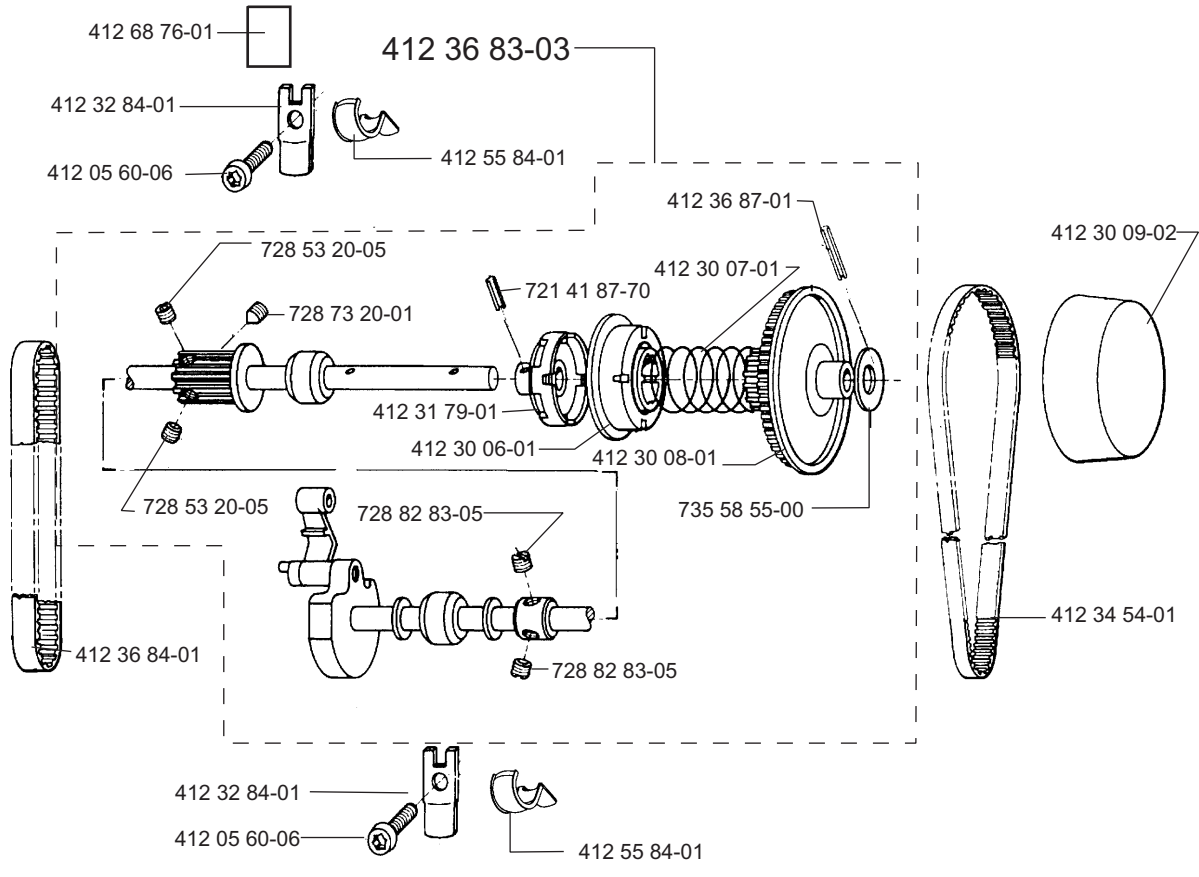




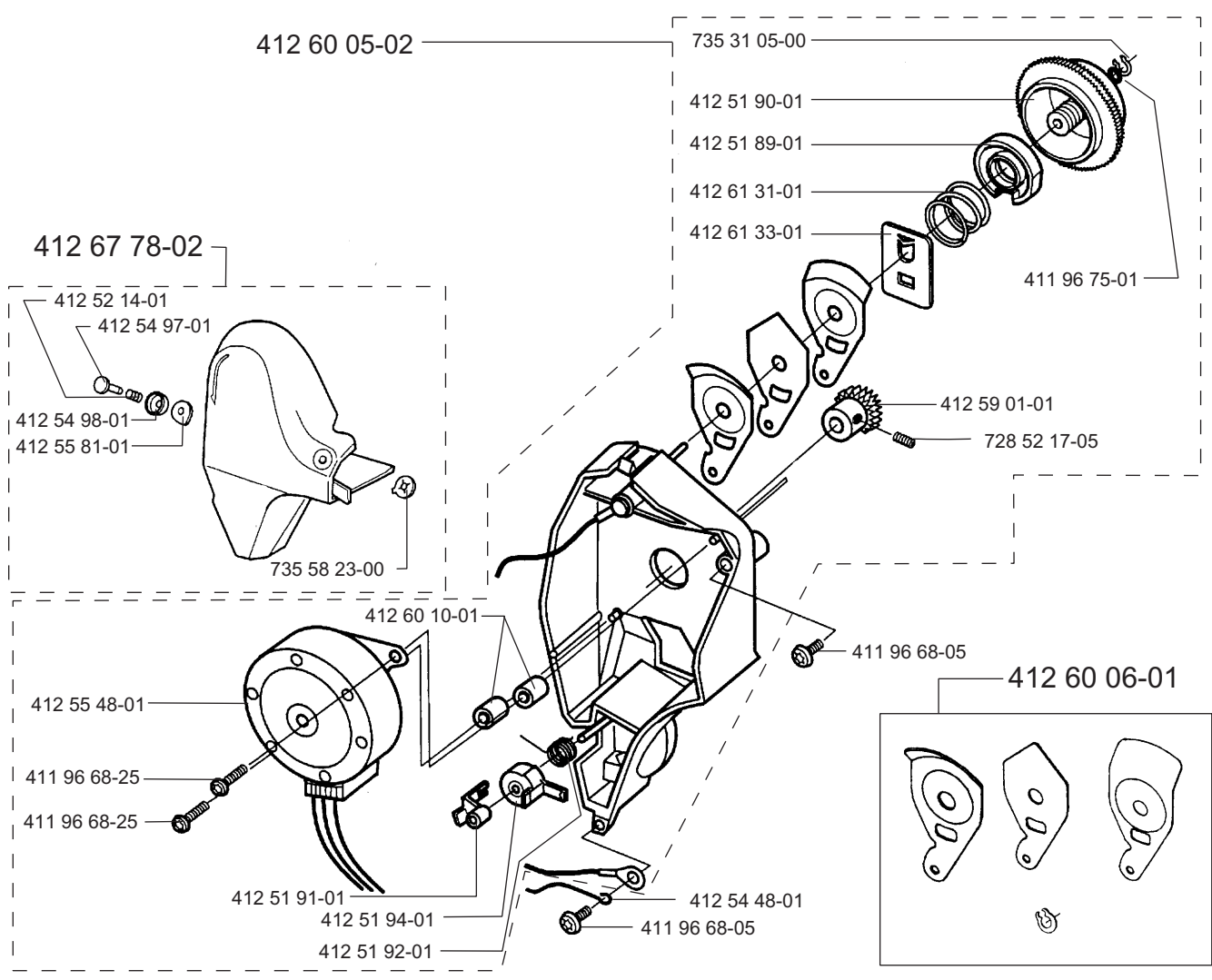
K



L

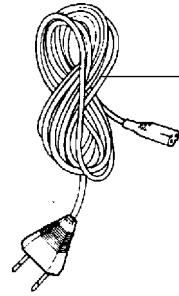
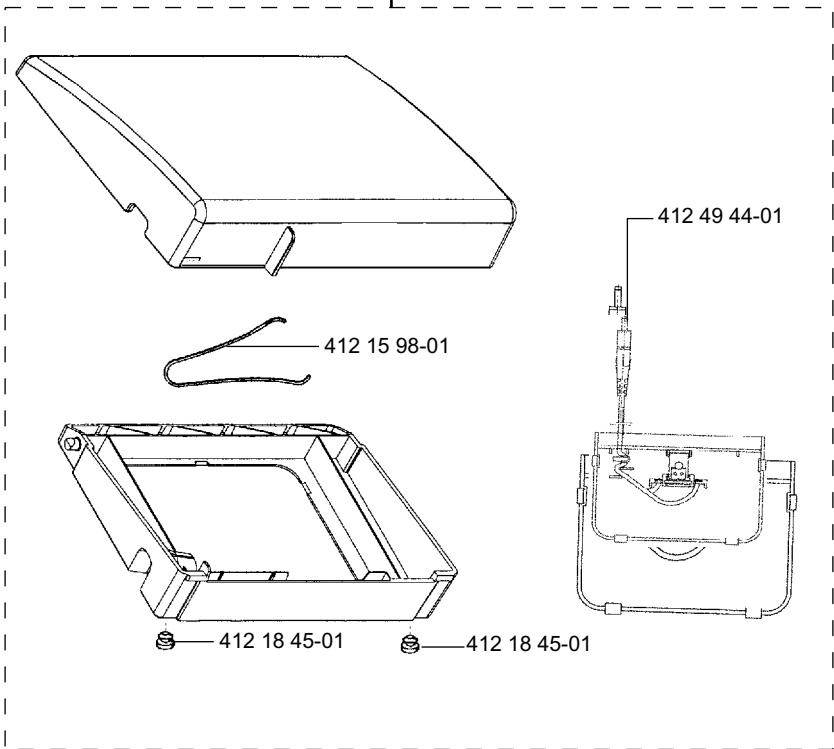


M



N

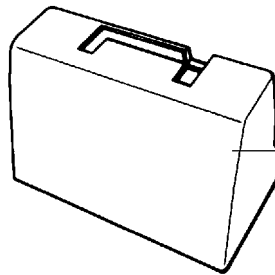
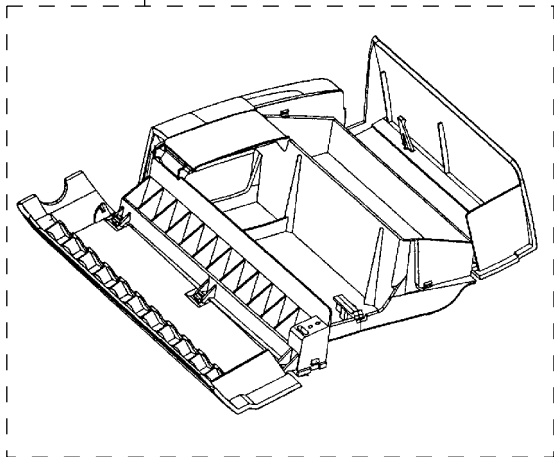
412 49 25-02



412 15 78-01 220 V
 412 15 79-02 Japan
 412 15 79-03 120 V
 412 15 81-01 Australia

O

412 51 76-01



412 52 92-01



412 63 55-01 D-card A utility compl.
 412 74 51-01 D-card Blockalphabet
 412 74 53-01 D-card Quilt / Applique.
 412 66 96-01 D-card Service

User's Guide

412 73 91-01 Users Guide Swe
 412 73 91-06 Users Guide Den
 412 73 91-11 Users Guide Fin
 412 73 91-10 Users Guide Jap
 412 73 91-21 Users Guide Nor
 412 73 91-26 Users Guide Eng
 412 73 91-31 Users Guide Fra
 412 73 91-36 Users Guide Dutch
 412 73 91-41 Users Guide Ita
 412 73 91-46 Users Guide Spa
 412 73 91-51 Users Guide Ger



412 39 09-28
 Bruch, bobbins,
 Presserfeet etc

