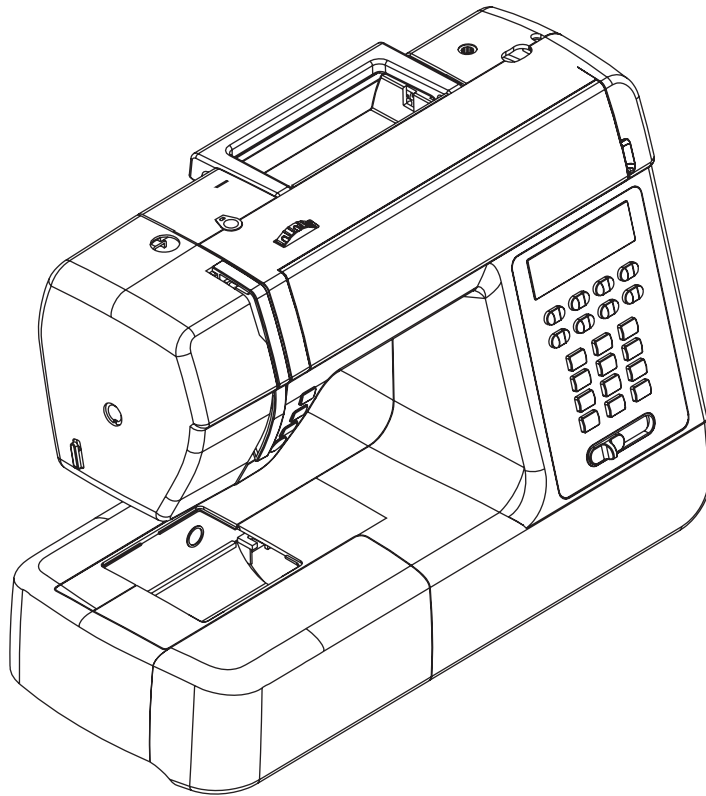
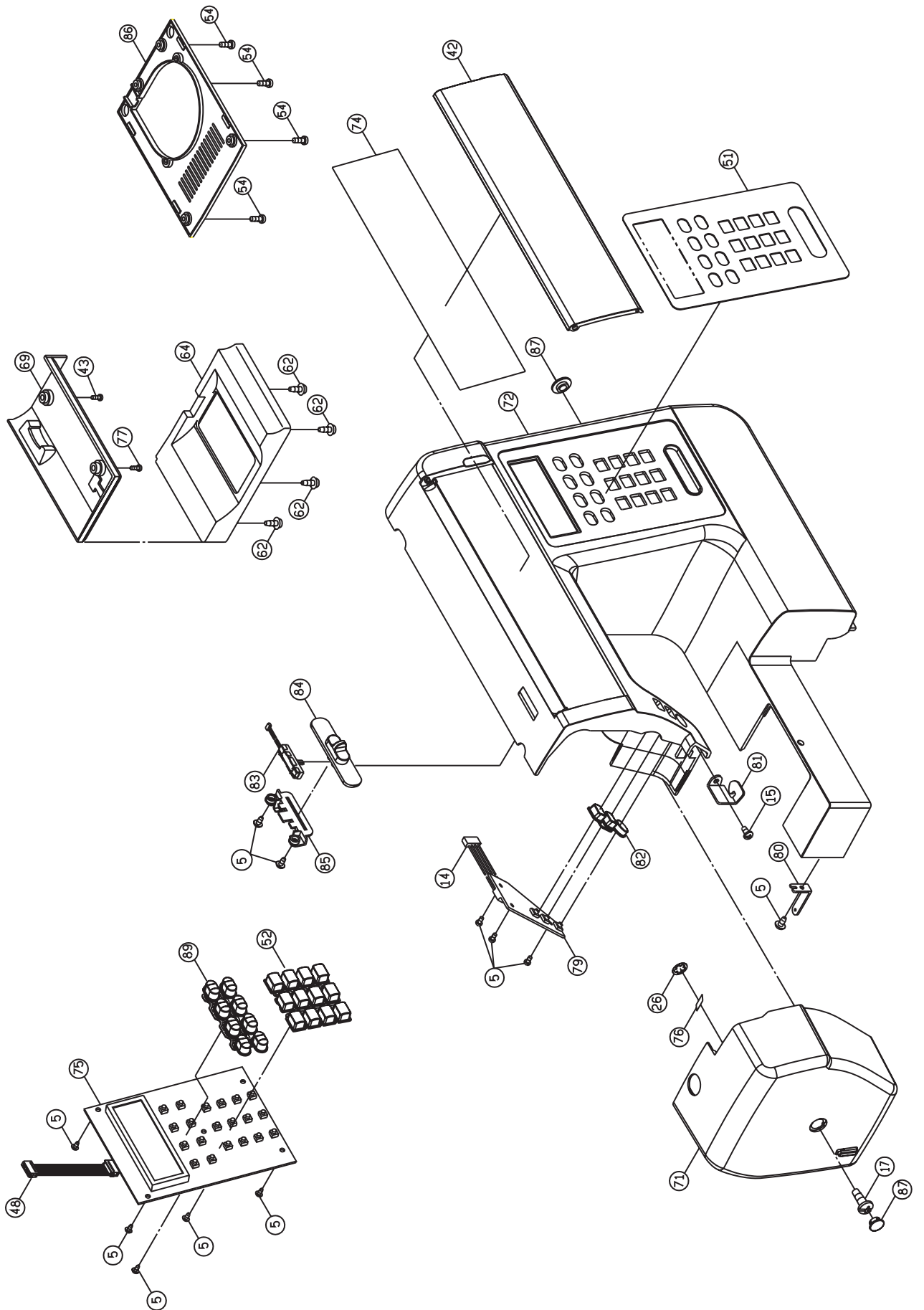


PARTS LIST

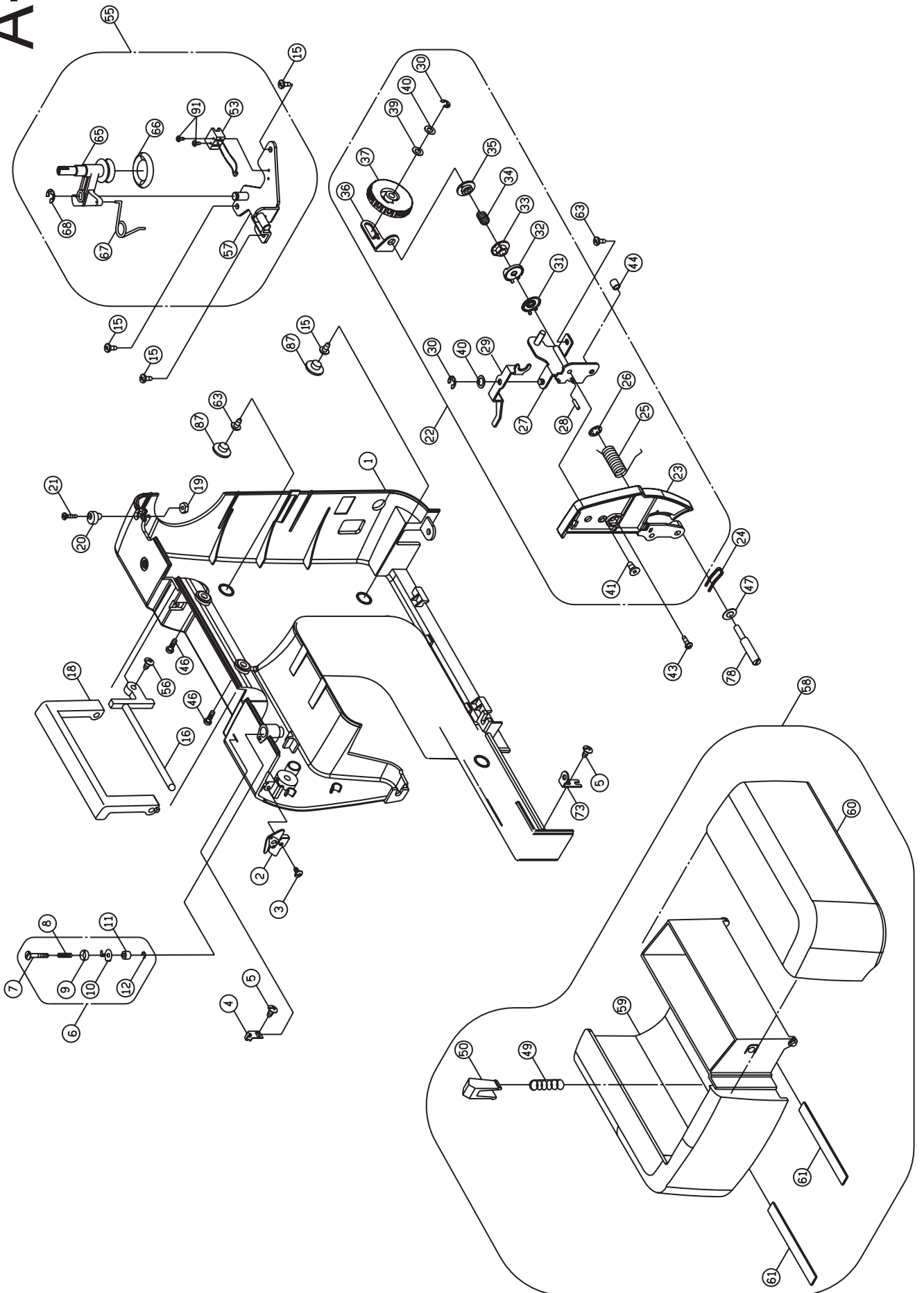


C10/20

A-1



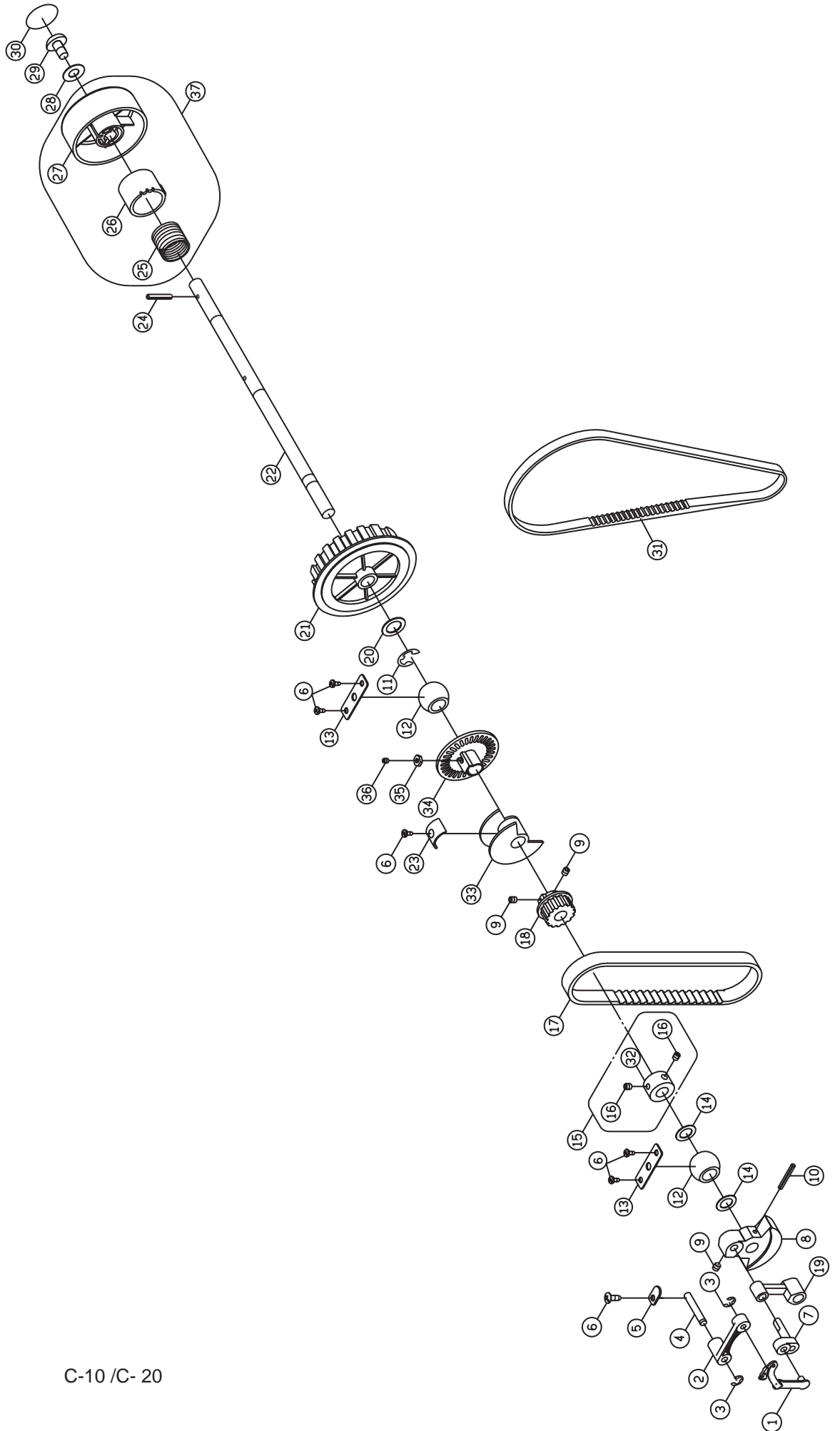
A-2



A	No.	Part No.	Description
	1	416 31 87-01	Back cover(USA)
	1	416 31 86-01	Back cover(EUROPE)
	2	416 16 78-01	Thread guide complete
	3	416 11 99-01	Set screw (M3×12B)
	4	416 14 55-01	Thread guide
	5	416 11 96-01	Set screw (M3×8.5)
	6	416 14 81-01	Bobbin winder thread guide complete
	7	416 16 81-01	Bobbin winder thread guide adjusting
	8	416 15 24-01	Bobbin winder thread guide spring
	9	416 15 23-01	Bobbin winder spring disc
	10	416 16 82-01	Bobbin winder thread guide
	11	416 14 65-01	Spacer
	12	416 11 60-01	E-Ring (ETW-3)
	13	416 12 20-01	Set screw (M4×25A)
	14	416 13 27-01	Up & down fixed leading wire
	15	416 12 15-01	Set screw (M4×8A)
	16	416 16 94-01	Spool rod
	17	416 12 31-01	Set screw (M4×12A)
	18	416 14 48-01	Handle
	19	416 12 63-01	Nut (9/64×40 t=3)
	20	416 14 66-01	Bobbin winder stopper
	21	416 17 40-01	Set screw (9/64×40×16)
	22	416 13 95-01	Dial tension complete
	23	416 13 94-01	Dial tension supporter plate cover
	24	416 17 13-01	Thread guide
	25	416 14 90-01	Thread guide spring
	26	416 11 68-01	CS ring
	27	416 14 60-01	Dial tension supporter plate
	28	416 11 75-01	Spring pin (ø3×10×0.6)
	29	416 14 57-01	Dial tension waft plate
	30	416 11 61-01	E-Ring (ETW-4)
	31	416 14 63-01	Dial tension disc
	32	416 15 36-01	Dial tension disc (1)
	33	416 15 67-01	Dial tension spring regulator
	34	416 15 59-01	Dial tension spring
	35	416 15 38-01	Dial tension regulator
	36	416 16 25-01	Dial tension spring plate
	37	416 16 01-01	Dial tension knob
	39	416 12 60-01	Washer (WW-5)
	40	416 12 45-01	Washer (5.2×10×0.5)
	41	416 12 19-01	Set screw (M4×6D)
	42	416 14 03-01	Pattern cover (C10)
	42	416 28 52-01	Pattern cover (C20)
	43	416 12 17-01	Set screw (M4×15B)
	44	416 15 17-01	Dial tension guide spring tube
	46	416 12 22-01	Set screw (M4×10B)
	47	416 12 41-01	Washer
	48	416 18 26-01	Row line (1)
	49	416 15 07-01	Sewing table body guide spring
	50	416 15 06-01	Sewing table body guide
	51	416 14 00-01	Front plate
	52	416 13 98-01	Numeral knob
	53	416 13 11-01	Micro switch
	54	416 12 11-01	Set screw (M4×10B)

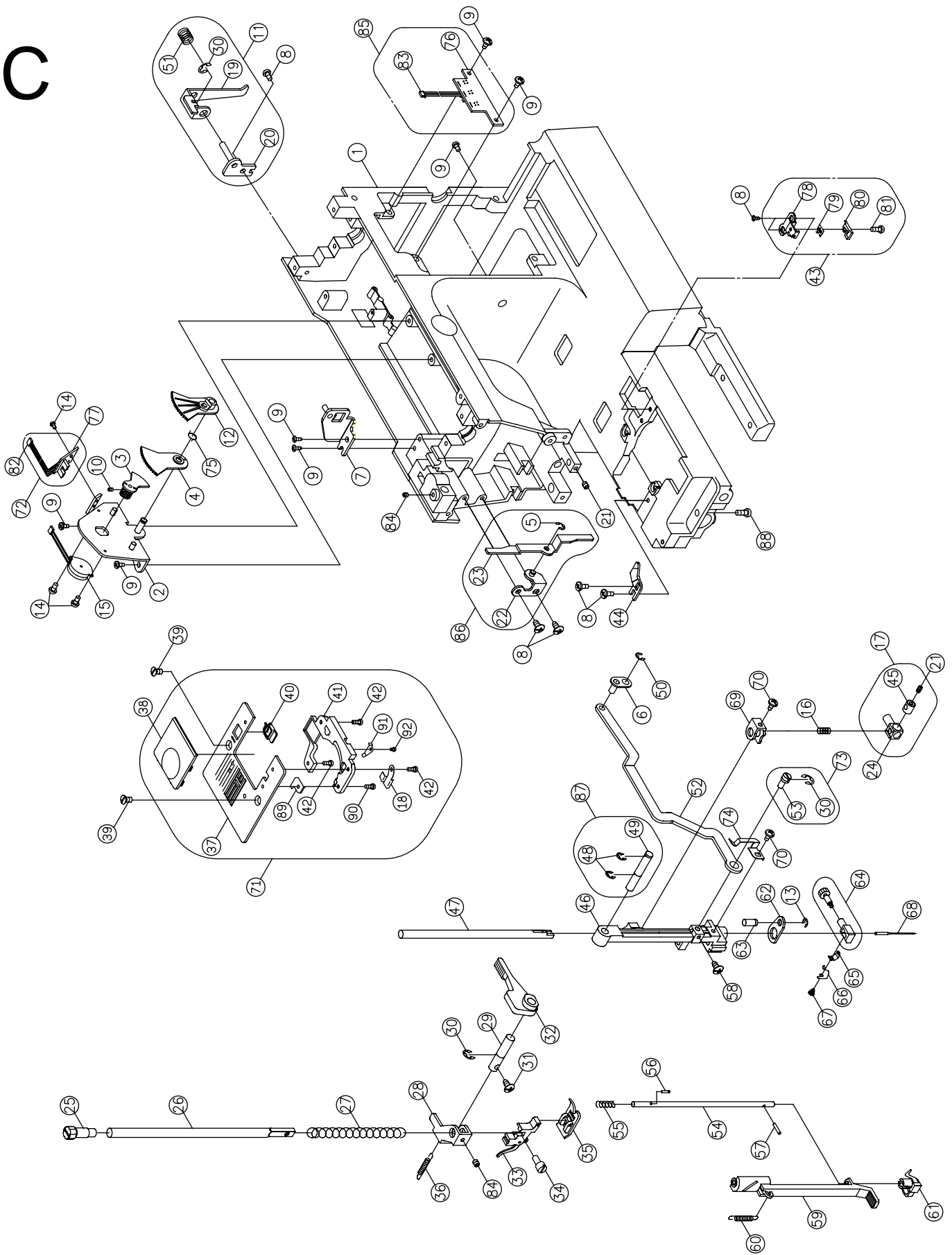
No.	Part No.	Description
55	416 13 65-01	Bobbin winder complete
56	416 12 04-01	Set screw (M3×1.06 B)
57	416 13 64-01	Bobbin winder frame
58	416 13 73-01	Sewing table complete
59	416 13 72-01	Sewing table body
60	416 13 74-01	Sewing table body cover
61	416 14 49-01	Sewing table body felt
62	416 12 07-01	Set screw (M3×12)
63	416 12 12-01	Set screw (M4×6B)
64	416 14 47-01	Free arm foot bush
65	416 16 97-01	Bobbin winder crank complete
66	416 14 93-01	Bobbin winder rubber pulley
67	416 17 12-01	Bobbin winder crank spring
68	416 11 66-01	E-Ring (ETW-5)
69	416 14 83-01	Free arm base
71	416 13 90-01	Face plate
72	416 13 96-01	Front cover
73	416 14 45-01	Arm back cover set plate
74	416 14 01-01	Key plate leading wire (C10)
74	416 14 02-01	Key plate leading wire (C20)
75	416 13 25-01	LCD & Key plate
76	416 17 25-01	Thread cutter
77	416 12 16-01	Set screw (M4×12B)
78	416 12 32-01	Set screw (M4)
79	416 13 26-01	Up & down fixed position switch(FOR THREE BUTTON)
80	416 14 44-01	Arm front cover set plate
81	416 14 51-01	Arm top cover thread guide plate
82	416 13 97-01	Start/stop/Reverse push button
83	416 13 23-01	Slide volume complete
84	416 13 91-01	Slide volume knob (for Electronic)
85	416 15 62-01	Slide volume knob connector
86	416 13 63-01	Cord reel cover
87	416 14 91-01	Plug
89	416 13 99-01	Function select key
91	416 11 91-01	Set screw (M2×7.5)

B



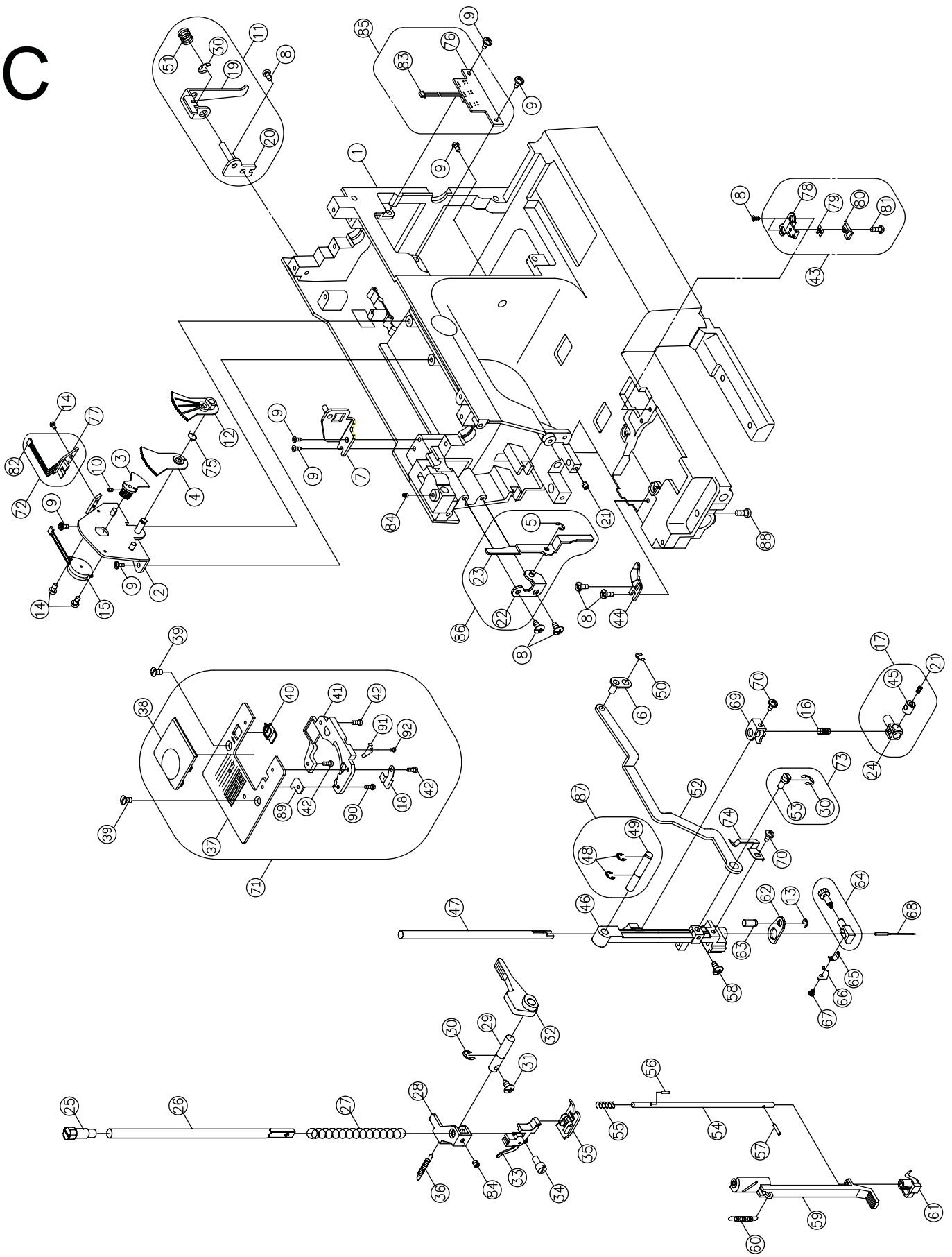
No.	Part No.	Description
1	416 14 79-01	Thread take up lever complete
2	416 14 77-01	Thread take up lever supporter
3	416 11 60-01	E-Ring (ETW-3)
4	416 16 22-01	Thread take up lever supporter shaft
5	416 15 22-01	Set washer
6	416 12 15-01	Set screw (M4x8A)
7	416 14 78-01	Arm shaft balance pin complete
8	416 14 61-01	Arm shaft balance
9	416 12 21-01	Set screw (M4x6)
10	416 11 77-01	Arm shaft balance pin (ø3.5x24)
11	416 11 65-01	E-Ring (ETW-9)
12	416 15 63-01	Arm shaft bushing
13	416 14 76-01	Arm shaft bushing holder plate
14	416 12 51-01	Endure attrition washer
15	416 15 64-01	Arm shaft collar complete
16	416 12 36-01	Set screw (M5x5)
17	416 14 05-01	Motor drive belt
18	416 15 00-01	Arm shaft sprocket
19	416 15 01-01	Needle bar crank rod
20	416 12 47-01	Washer (10.2x15x0.5)
21	416 14 85-01	Arm shaft drive belt pulley
22	416 13 31-01	Arm shaft
23	416 13 33-01	Arc washer
24	416 11 76-01	Spring pin (ø3x18)
25	416 15 66-01	Arm shaft clutch annulus spring
26	416 15 67-01	Arm shaft collar
27	416 13 92-01	Hand wheel
28	416 12 44-01	Hand wheel washer (5.2x16x1.0)
29	416 18 28-01	Set screw (M5x10)
30	416 15 92-01	Hand wheel decorated plate
31	416 12 93-01	Motor drive belt (163XXL6.1)
32	416 15 65-01	Arm shaft collar
33	416 13 32-01	Rotary sensor collar
34	416 12 96-01	Revolution control panel
35	416 12 65-01	Nut (M4 t=3)
36	416 12 10-01	Set screw (M4x5)
37	416 13 93-01	Hand wheel complete

C



No.	Part No.	Description
2	416 13 35-01	Zig zag pulse motor plate
3	416 13 36-01	Pulse motor gear
4	416 13 37-01	Zigzag crank (1)
5	416 11 60-01	E-Ring ETW-3
6	416 13 41-01	Needle bar driving rod plate
7	416 17 03-01	Arm top cover plate
8	416 12 12-01	Set screw M4x6B
9	416 12 15-01	Set screw M4x8A
10	416 12 00-01	Set screw M3x3
11	416 16 99-01	Clutch rod complete
12	416 13 38-01	Zig zag crank (2)
13	416 11 61-01	E-Ring ETW-4
14	416 12 06-01	Set screw M3x5A
15	416 13 28-01	Pulse motor complete
16	416 15 16-01	Tension lever lifter spring
17	416 15 08-01	Needle bar bracket complete
18	416 14 75-01	Needle plate spring
19	416 17 01-01	Clutch rod
20	416 17 00-01	Clutch rod plate
21	416 12 24-01	Set screw M4x4
22	416 14 15-01	Movement plate supporter (1)
23	416 14 16-01	Movement plate
24	416 15 11-01	Needle bar bracket (1)
25	416 17 19-01	Presser bar regulating screw
26	416 14 09-01	Presser bar
27	416 14 69-01	Presser bar spring
28	416 14 10-01	Presser bar bracket
29	416 14 56-01	Presser bar lifter lever shaft
30	416 11 63-01	E-Ring ETW-5
31	416 12 17-01	Set screw M4x15
32	416 14 11-01	Presser bar lifter lever
33	416 12 82-01	Shank complete
34	416 11 84-01	Shank complete set screw
35	416 12 75-01	Zig zag presser foot complete
36	416 14 62-01	Presser bar bracket spring
37	416 14 84-01	Needle plate
38	416 15 61-01	Needle plate cover
39	416 12 29-01	Set screw M4x6
40	416 15 52-01	Needle plate cover open
41	416 14 74-01	Needle plate cover
42	416 18 29-01	Set screw SM3/32x56 L=3
43	416 14 39-01	Rotary hook plate complete
44	416 14 40-01	Rotary hook plate
45	416 15 12-01	Needle bar bracket (2)
46	416 14 06-01	Needle bar supporter
47	416 15 54-01	Needle bar
48	416 11 78-01	E-Ring ETW-5
49	416 14 52-01	Needle bar supporter pin
50	416 11 62-01	E-Ring ETW-4
51	416 17 02-01	Clutch rod spring
52	416 13 40-01	Needle bar driving rod
53	416 14 67-01	Needle bar driving rod pin
54	416 14 07-01	Auto threaded shaft
55	416 15 74-01	Auto threaded shaft spring
56	416 11 72-01	Spring pin 2x14
57	416 11 71-01	Spring pin 2x6 t=0.4
58	416 11 85-01	Set screw 9/64x40x5

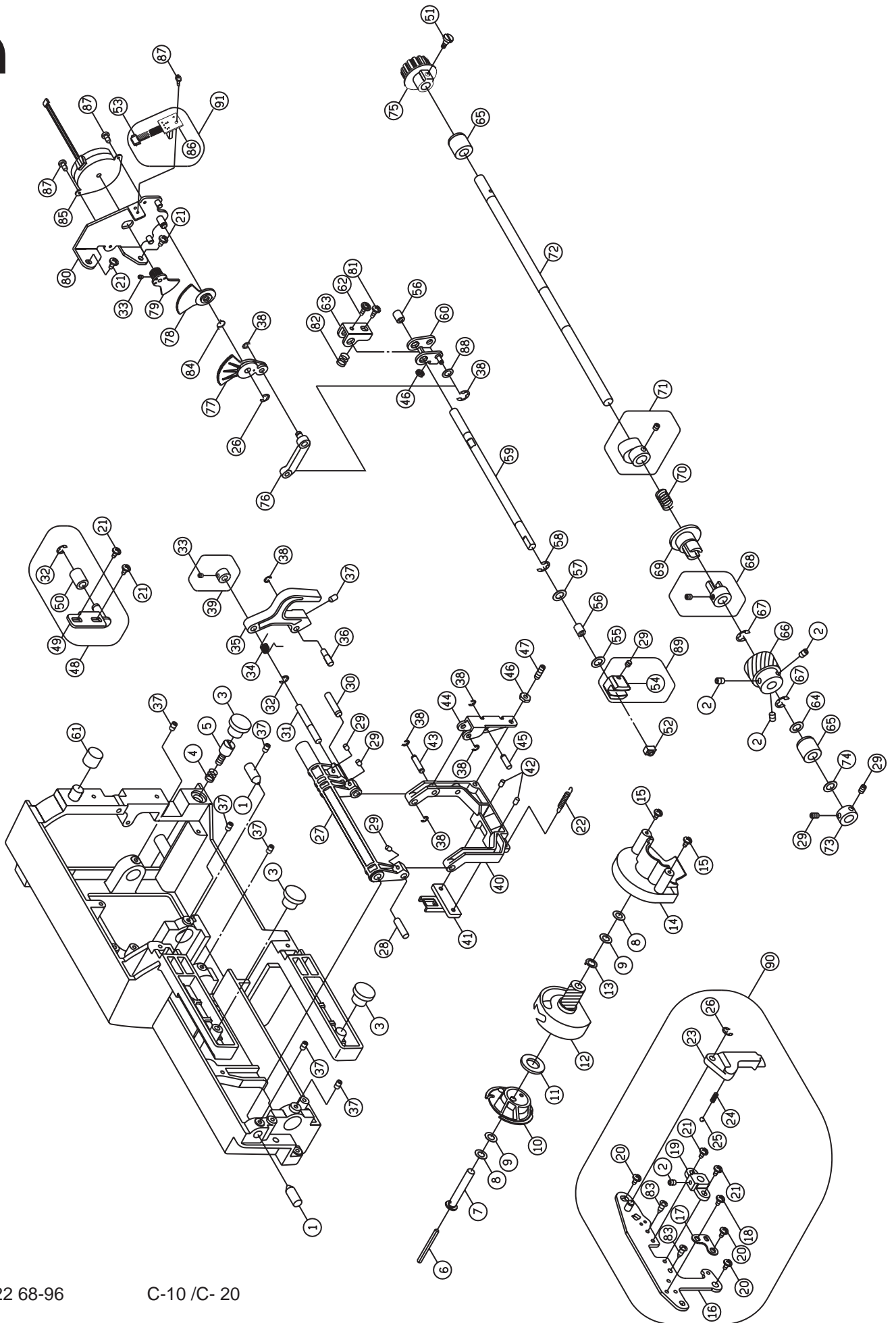
C



Descriptions on picture C, continue.

59 416 14 08-01 Auto threaded lever
60 416 15 50-01 Auto threaded lever spring
61 416 14 58-01 Auto threaded
62 416 14 12-01 Needle bar supporter plate
63 416 14 13-01 Needle bar supporter plate pin
64 416 15 09-01 Needle clamp complete
65 416 15 73-01 Needle guide plate
66 416 15 10-01 Needle bar thread guide
67 416 11 80-01 Set screw
68 411 31 05-01 Needle #80 X10
69 416 15 49-01 Auto threaded stopper (1)
70 416 11 92-01 Set screw M3x6A
71 416 31 56-01 Needle plate complete
72 416 13 15-01 Photo sensor complete
73 416 14 68-01 Needle bar driving rod pin
74 416 17 39-01 Needle bar driving rod spring plate
75 416 13 39-01 crank spring
76 416 13 05-01 Photo sensor plate
77 416 13 01-01 Photo sensor plate (zig zag)
78 416 14 41-01 Rotary hook plate (2)
79 416 14 99-01 Rotary hook plate spring (2)
80 416 14 98-01 Rotary hook plate spring (1)
81 416 11 90-01 Set screw (M2x2.5)
82 416 13 07-01 Zig zag wire
83 416 13 06-01 Photo sensor wire
84 416 12 10-01 Set screw (M4x5)
85 416 13 10-01 Photo sensor complete
86 416 14 14-01 Movement plate supportercomplete
87 416 14 53-01 Needle bar supporter pin complete
88 416 11 95-01 Set screw (M3x12)
89 416 31 50-01 Plate
90 416 18 41-01 Set screw (SM3/32x56 L=5)
91 416 31 51-01 Set screw (SM3/32x56 L=3)
92 416 31 52-01 Set screw (M2.5x3)

D

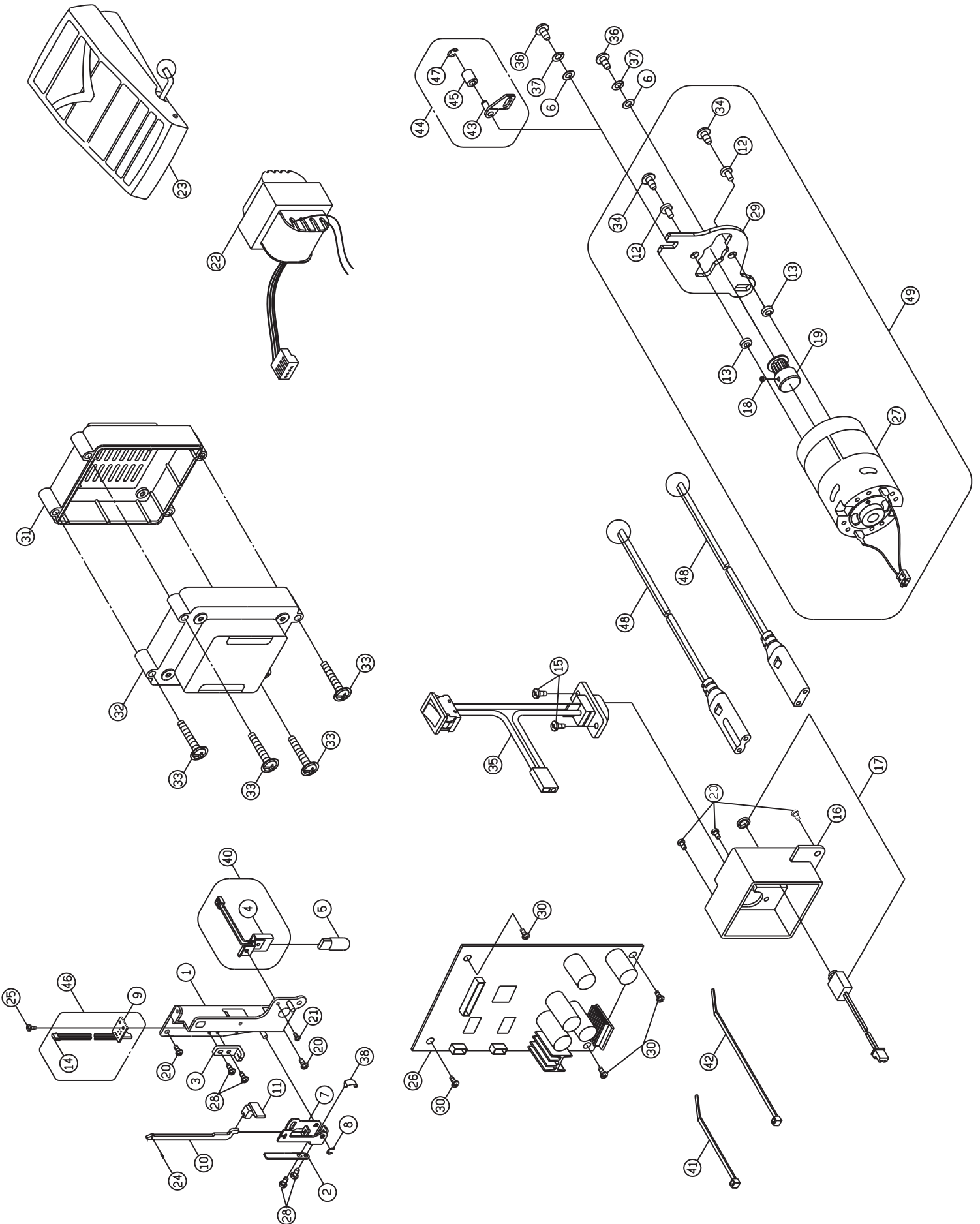


No.	Part No.	Description
1	416 14 32-01	Feed crank shaft
2	416 12 10-01	Set screw (M4x5)
3	416 15 29-01	Free arm vase cushion rubber
4	416 14 73-01	Base plate adjustment screw spring
5	416 15 46-01	Base plate adjustment screw
6	416 15 58-01	Bobbin shaft oil cloth
7	416 14 54-01	Bobbin shaft
8	416 15 56-01	Bobbin shaft washer (2)
9	416 12 59-01	Endure attrition washer
10	416 14 80-01	Shuttle hook complete
11	416 15 55-01	Magnet
12	416 15 60-01	Shuttle hook holder
13	416 15 57-01	Bobbin shaft washer (3)
14	416 14 36-01	Needle plate cover
15	416 11 95-01	Set screw (M3x12)
16	416 14 33-01	Rotary hook holder
17	416 14 33-01	Rotary hook holder positioned plate
18	416 12 12-01	Set screw (M4x6B)
19	416 14 33-01	Rotary hook supporter
20	416 12 26-01	Set screw (M4x8)
21	416 12 15-01	Set screw (M4x8A)
22	416 14 64-01	Feed dog frame spring
23	416 14 37-01	Feed lifting shaft
24	416 14 50-01	Feed lifting shaft spring
25	416 15 21-01	Steel ball
26	416 11 62-01	E-Ring (ETW-4)
27	416 14 26-01	Feed rock shaft
28	416 14 27-01	Feed rock frame shaft (2)
29	416 12 24-01	Set screw (M4x4)
30	416 14 29-01	Feed rock frame shaft (1)
31	416 13 56-01	Feed rock bushing pin
32	416 11 61-01	E-Ring (ETW-4)
33	416 12 00-01	Set screw (M3x3)
34	416 13 50-01	Feed shaft spring
35	416 13 49-01	Feed rock crank
36	416 14 95-01	Feed rock crank pin
37	416 12 21-01	Set screw (M4x6)
38	416 11 60-01	E-Ring (ETW-3)
39	416 14 94-01	Feed rock shaft collar
40	416 14 28-01	Feed rock frame
41	416 14 82-01	Feed dog
42	416 11 82-01	Set screw (1/8x44x5)
43	416 14 30-01	Feed lifting rock crank pin (1)
44	416 14 86-01	Feed lifting rock crank
45	416 14 30-01	Feed lifting rock crank pin (2)
46	416 12 68-01	Adjusting nut (ALN-4)
47	416 12 27-01	Feed back crank screw
48	416 14 24-01	Belt adjusting plate complete
49	416 14 25-01	Belt adjusting plate
50	416 15 20-01	Belt adjusting plate pulley
51	416 15 20-01	Set screw (M3x14.5)
52	416 15 20-01	Feed regulating block
53	416 13 08-01	Feed wire
54	416 14 97-01	Feed regulating
55	416 12 56-01	Endure attrition washer

Descriptions on picture D, continue.

- 56 416 15 69-01 Feed rock bushing
- 57 416 12 40-01 Washer (6.7×12×1)
- 58 416 11 66-01 E-Ring (ETW-5)
- 59 416 13 45-01 Feed regulating shaft
- 60 416 13 47-01 Feed regulating crank
- 61 416 14 70-01 Free arm vane cushion rubber
- 62 416 12 08-01 Set screw (M3×0.5 L12)
- 63 416 13 46-01 Feed crank
- 64 416 13 46-01 Washer (8.2×12×0.5)
- 65 416 14 17-01 Lower shaft bushing
- 66 416 15 53-01 Lower shaft gear
- 67 416 11 64-01 E-Ring (ETW-6)
- 68 416 14 19-01 Feed lifting rock cam complete
- 69 416 14 18-01 Feed lifting rock cam
- 70 416 14 23-01 Lower shaft spring
- 71 416 14 22-01 Feed rock cam complete
- 72 416 13 34-01 Lower shaft
- 73 416 15 87-01 Lower shaft collar
- 74 416 13 46-01 Endure attrition washer
- 75 416 14 20-01 Lower shaft belt pulley
- 76 416 13 61-01 Feed rock rod
- 77 416 13 43-01 Feed rock crank (1)
- 78 416 13 44-01 Feed rock crank (2)
- 79 416 13 36-01 Pulse motor gear
- 80 416 13 44-01 Pulse support plate
- 81 416 12 34-01 Feed regulating crank set screw
- 82 416 13 48-01 Feed regulating crank spring
- 83 416 11 95-01 Set screw (M3×12)
- 84 416 13 39-01 Zig zag width feed rock crank spring
- 85 416 13 28-01 Pulse motor complete
- 86 416 13 01-01 Photo sensor plate
- 87 416 12 06-01 Set screw (M3×5A)
- 88 416 12 41-01 Washer (4.2×8×0.8)
- 89 416 13 62-01 Feed regulating complete
- 90 416 14 38-01 Rotary hook holder complete
- 91 416 13 12-01 Photo sensor complete

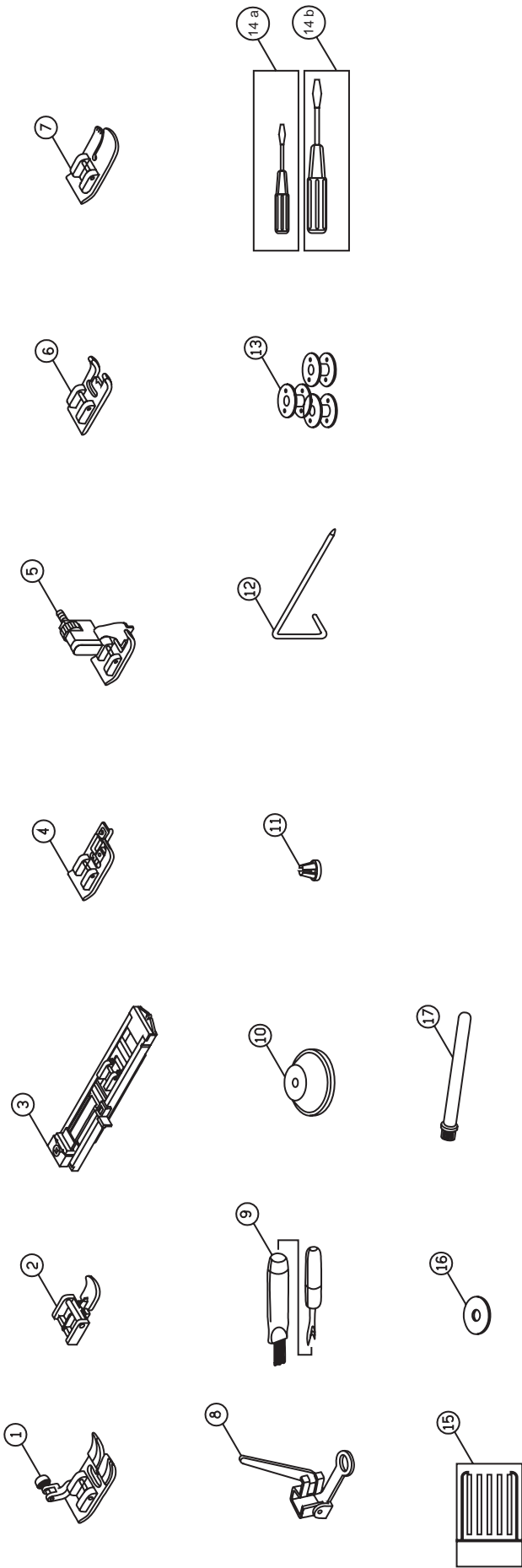
E



No.	Part No.	Description
1	416 13 51-01	BH lever plate
2	416 13 54-01	BH lever crank spring
3	416 13 53-01	BH movement crank
4	416 13 57-01	Lamp receptacle
5	411 78 10-01	Lamp (12V 5W)
6	416 12 43-01	Washer (5.4×10×0.9)
7	416 13 52-01	BH lever crank
8	416 11 60-01	E-Ring (ETW-3)
9	416 13 00-01	Photo sensor plate
10	416 14 43-01	BH lever
11	416 14 87-01	BH lever button
12	416 12 95-01	Insulation spacer
13	416 14 88-01	Insulation spacer
14	416 13 09-01	Photo sensor wire
15	416 11 99-01	Set screw (M3×12)
16	416 12 98-01	Receptacle holder
17	416 12 99-01	Controller receptacle
18	416 12 01-01	Set screw (M3×3)
19	416 11 59-01	Motor wheel
20	416 12 15-01	Set screw (M4×8A)
21	416 11 92-01	Set screw (M3×6A)
22	416 15 13-01	Transformer(230V)
22	416 11 58-01	Transformer(120V)
22	416 11 56-01	Transformer(100V)
22	416 13 21-01	Transformer(240V)
23	416 11 37-01	Foot controller (C-9000)
24	416 11 37-01	Spring pin (∅1.6×5)
25	416 12 06-01	Set screw (M3×5A)
26	416 13 24-01	Main circuit board complete(C10)
26	416 13 29-01	Main circuit board complete(C20)
27	416 11 38-01	MG Motor complete (YA3300-5)
28	416 11 94-01	Set screw (M3×5B)
29	416 13 55-01	Motor bracket
30	416 12 16-01	Set screw (M4×12B)
31	416 13 67-01	Transformer cover (1)
32	416 13 68-01	Transformer cover (2)
33	416 12 33-01	Set screw (M4×50)
34	416 12 02-01	Set screw (M3×10A)
35	416 11 53-01	Switch receptacle ass'y (120V)
	416 18 53-01	Switch receptacle ass'y (230V-240V)
36	416 17 50-01	Set screw (M5×12)
37	416 12 62-01	Spring washer (5.1×9.2×1.3)
38	416 14 42-01	BH spring plate
40	416 13 58-01	Lamp receptacle complete
41	416 11 39-01	Cord clip
42	416 11 55-01	Cord clip
43	416 13 59-01	Belt adjusting plate
44	416 13 60-01	Belt adjusting plate complete
45	416 15 20-01	Belt adjusting plate pulley
46	416 13 13-01	Photo sensor complete
47	416 11 61-01	E-Ring (ETW-4)
48	412 15 78-01	Cord device 220 V N
412	15 79-02	Cord device Japan N
412	15 79-03	Cord device 120 V N
412	15 80-02	Cord device England N
412	15 81-01	Cord device Australia N
49	416 11 35-01	MG Motor complete

F-1(C10)

Standard accessories



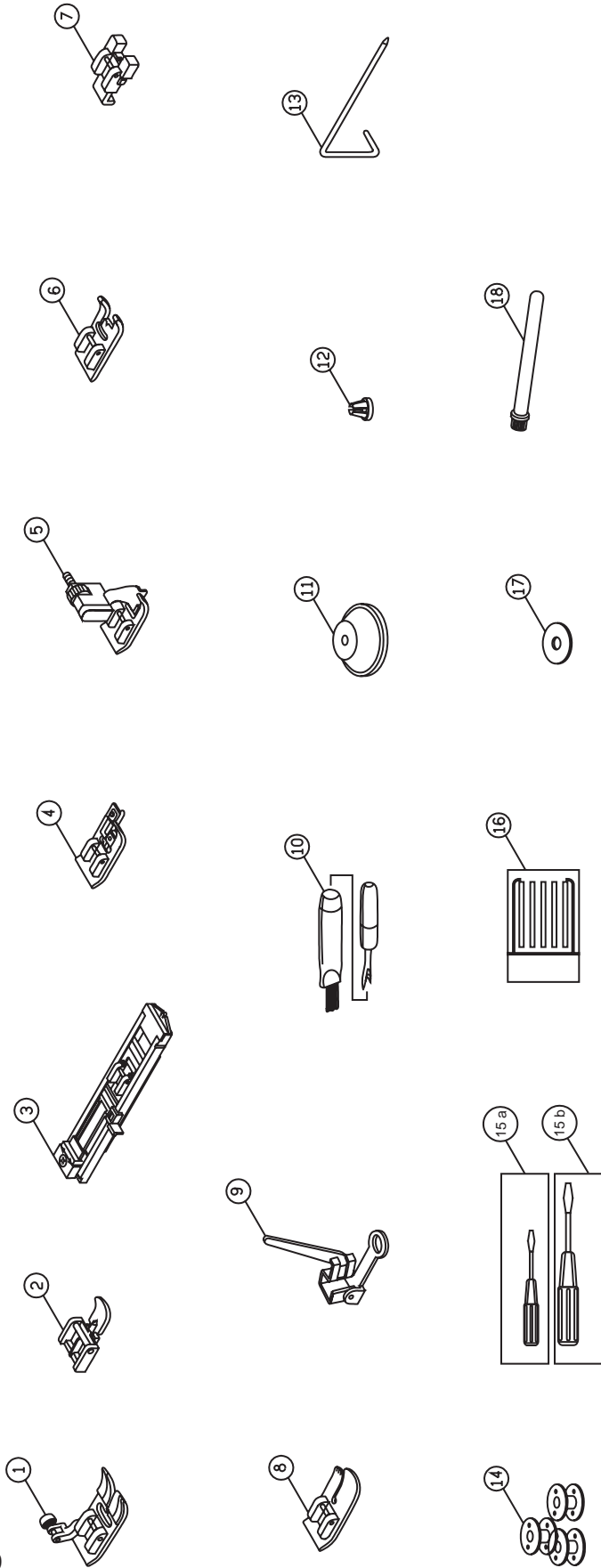
Standard accessories

No. Part No. Description

1	416 12 75-01	All purpose foot
2	416 12 87-01	Zipper foot (I)
3	416 12 78-01	Buttonhole foot
4	416 12 88-01	Overcastting foot (E)
5	416 12 86-01	Blind hem foot (F)
6	416 12 80-01	Satin stitch foot
7	416 12 91-01	Quilting foot
8	416 12 74-01	Darning /Embroidery foot
9	401 53 99-01	Seam ripper
	401 55 55-01	Brush
10	416 15 71-01	pool holder (Large)
11	416 15 76-01	pool holder (Small)
12	416 12 71-01	eam guide
13	416 12 76-01	Bobbin
14 a	412 38 15-01	Large screw drive
14 b	412 28 90-01	Small screw drive
15	411 31 05-01	Needle #80 X10
16	416 12 73-01	Felt cushion
17	416 15 75-01	Second spool pin

F-2(C20)

Standard accessories



Standard accessories

No. Part No. Description

- 1 416 12 75-01 All purpose foot
- 2 416 12 87-01 Zipper foot (I)
- 3 416 12 78-01 Buttonhole foot
- 4 416 12 88-01 Overcasting foot (E)
- 5 416 12 86-01 Blind hem foot (F)
- 6 416 12 80-01 Satin stitch foot
- 7 416 25 84-01 Button sew on foot
- 8 416 12 91-01 Quilting foot
- 9 416 12 74-01 Darning /Embroidery foot
- 10 401 53 99-01 Seam ripper
401 55 55-01 Brush
- 11 416 15 71-01 Spool holder (Large)
- 12 416 15 76-01 Spool holder (Small)
- 13 416 12 71-01 Seam guide
- 14 16 12 76-01 Bobbin
- 15 a 412 38 15-01 Large screw drive
- 15 b 412 28 90-01 Small screw drive
- 16 411 31 05-01 Needle #80 X10
- 17 416 12 73-01 Felt cushion
- 18 416 15 75-01 Second spool pin