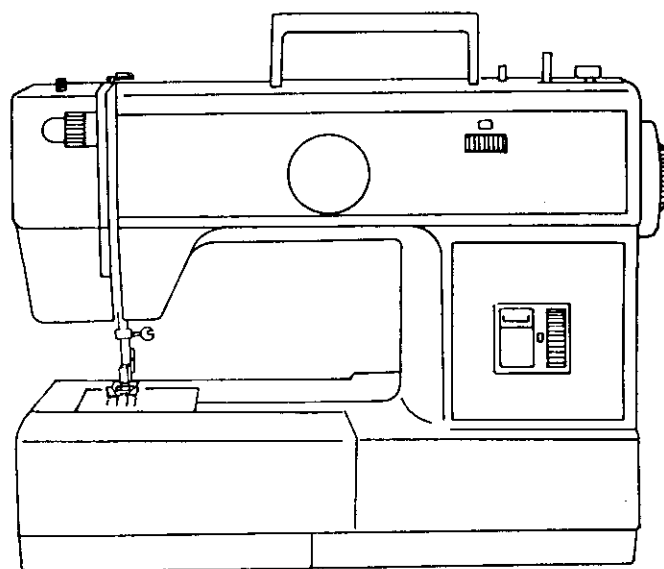
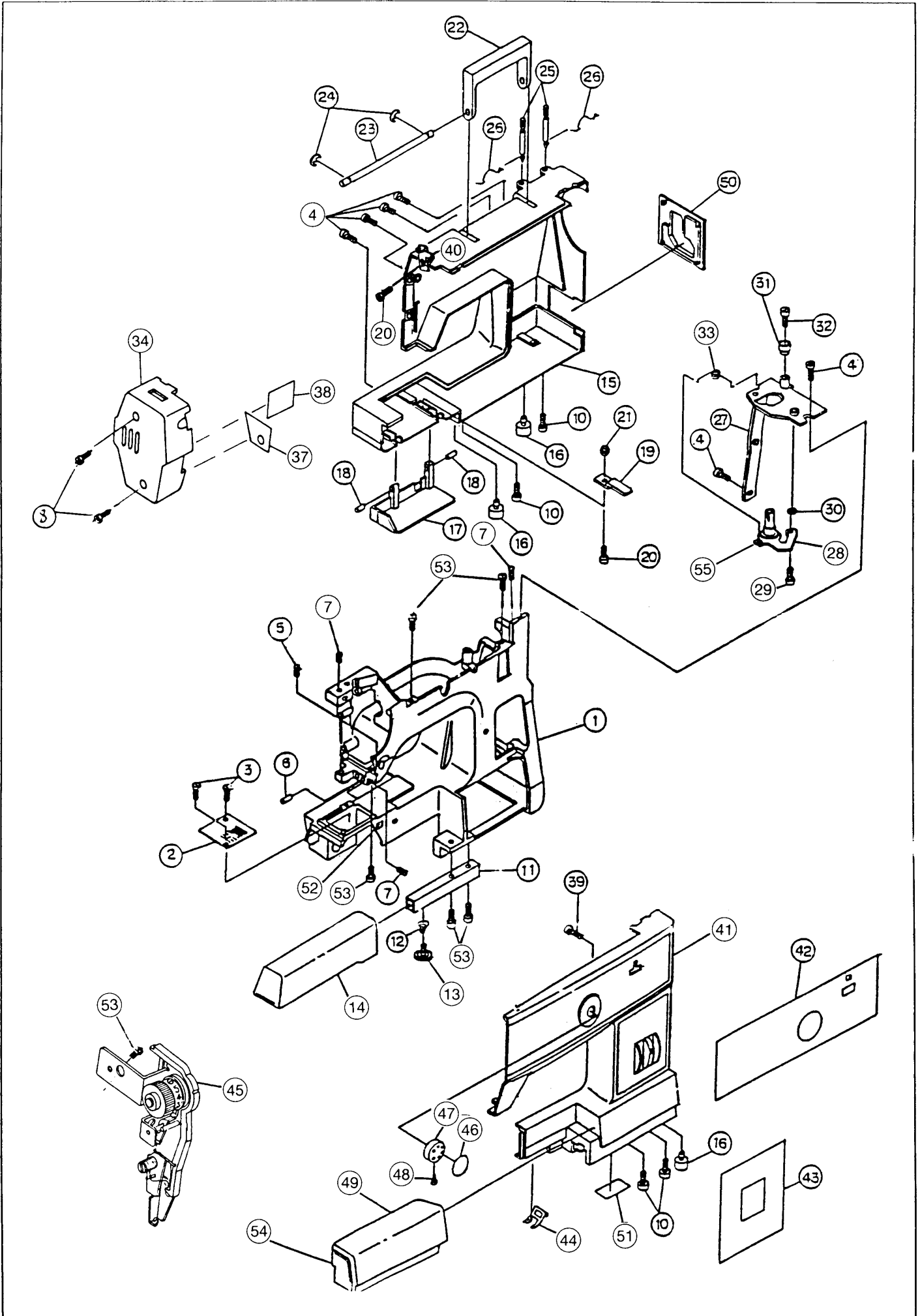


Huskystar

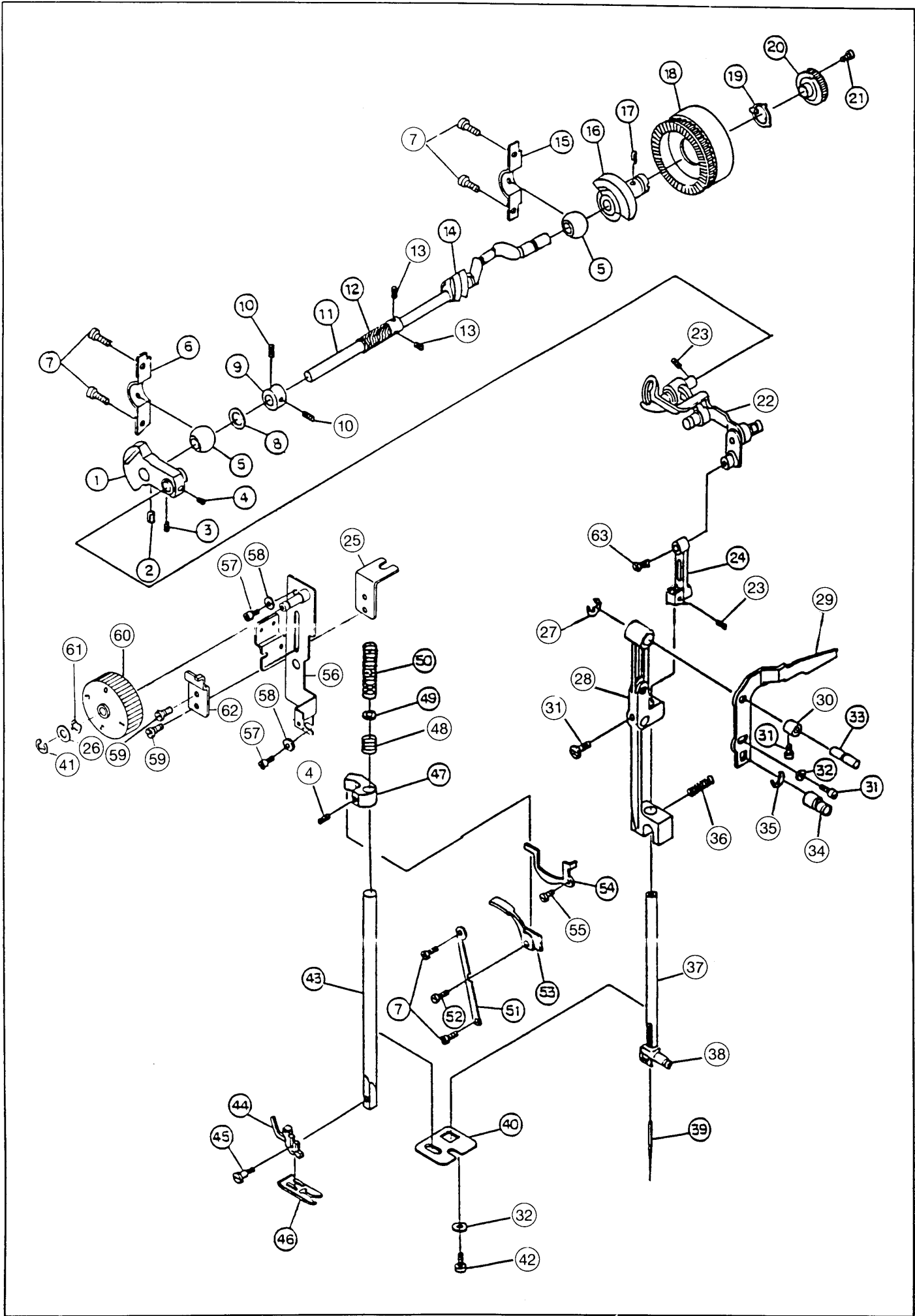
Spare parts

Model: 55
65

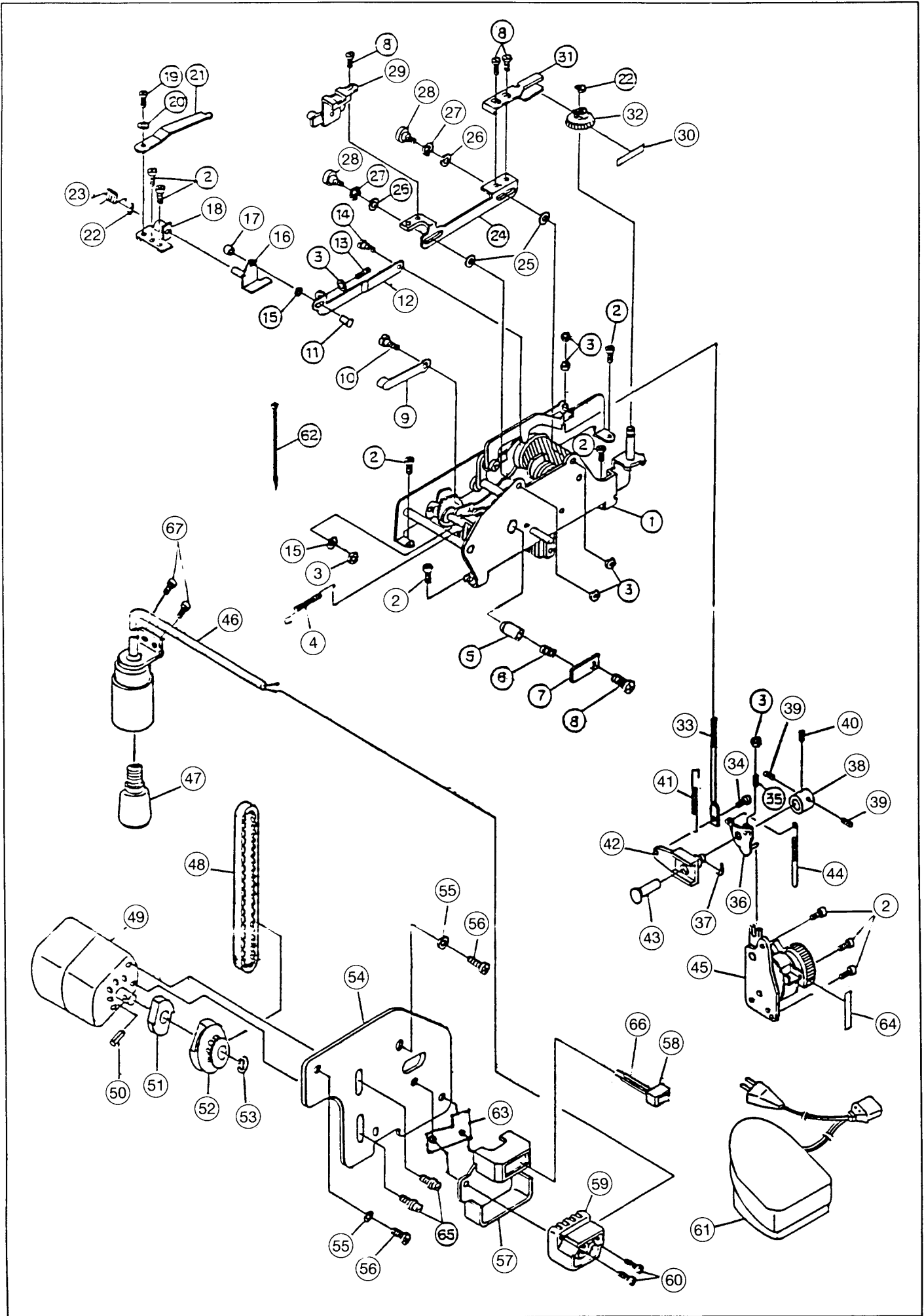




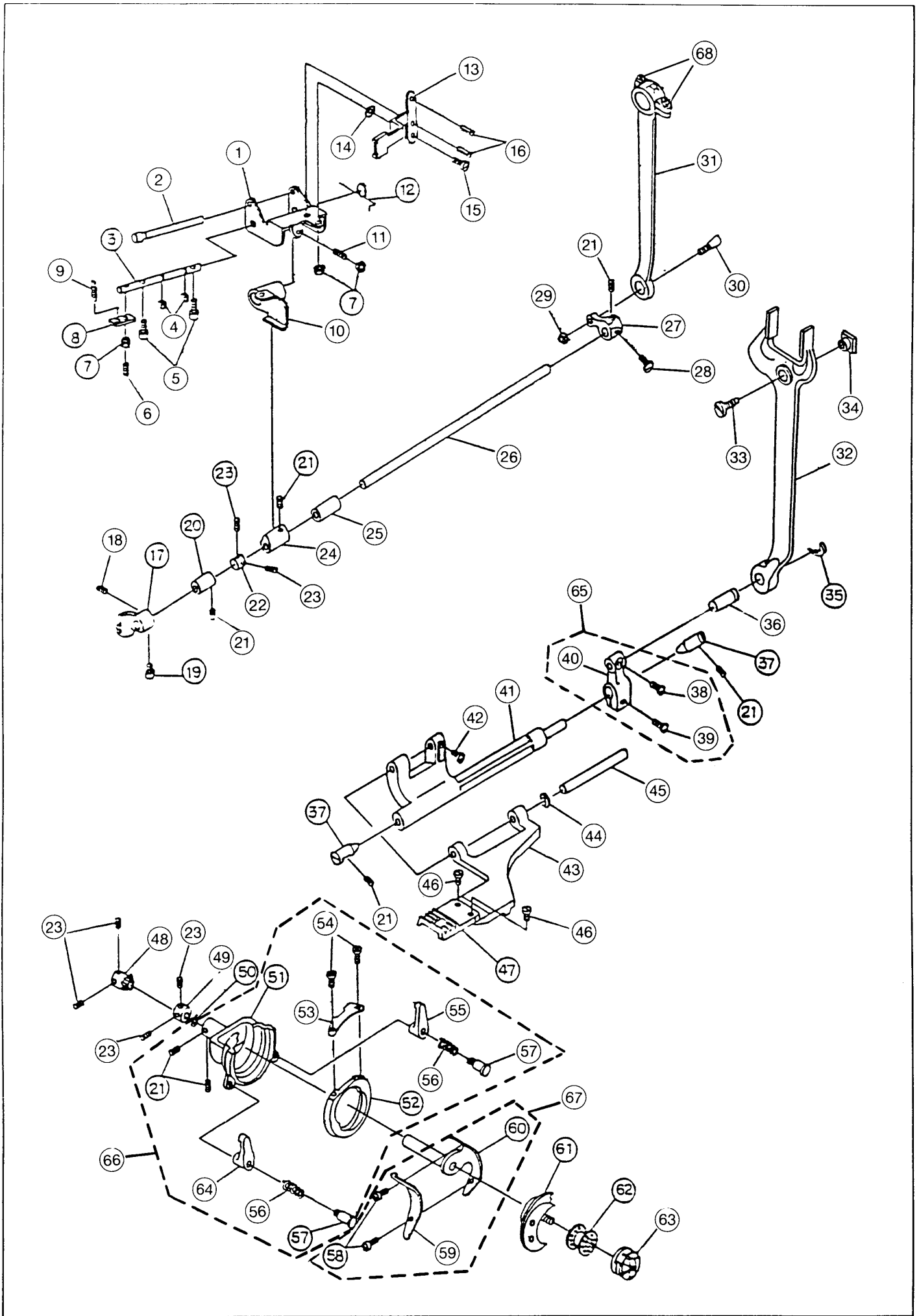
| <u>POS</u> | <u>NUMBER</u> | <u>DENOMINATION</u> |
|------------|---------------|---------------------------|
| 1 | 415 60 00-01 | Arm/bed |
| 2 | 415 60 01-01 | Needle plate |
| 3 | 415 60 02-01 | Set screw |
| 4 | 415 60 03-01 | Set screw |
| 5 | 415 60 04-01 | Set screw |
| 6 | 415 60 05-01 | Lead shaft |
| 7 | 415 60 06-01 | Set screw |
| 8 | 415 64 95-01 | Set screw |
| 10 | 415 60 09-01 | Set screw |
| 11 | 415 60 10-01 | Support leg |
| 12 | 415 60 11-01 | Spring |
| 13 | 415 60 12-01 | Adjusting screw |
| 14 | 415 60 13-01 | Cover, support leg |
| 15 | 415 64 61-01 | Back cover |
| 16 | 415 60 15-01 | Foot |
| 17 | 415 60 16-01 | Shuttle race cover |
| 18 | 415 60 17-01 | Spring pin |
| 19 | 415 60 18-01 | Spring plate |
| 20 | 415 60 19-01 | Set screw |
| 21 | 415 60 20-01 | Nut |
| 22 | 415 60 21-01 | Handle compl. |
| 23 | 415 60 22-01 | Handle pin |
| 24 | 415 60 23-01 | Wave washer |
| 25 | 415 60 24-01 | Spool pin A |
| 26 | 415 60 25-01 | Spool pin spring |
| 27 | 415 60 26-01 | B/W supporting plate |
| 28 | 415 60 27-01 | Bobbin winder compl. |
| 29 | 415 60 28-01 | Set screw |
| 30 | 415 60 29-01 | Washer |
| 31 | 415 60 30-01 | Bobbin winder stopper |
| 32 | 415 60 31-01 | Set screw |
| 33 | 415 60 32-01 | Bobbin winder spring C |
| 34 | 415 64 59-01 | Face plate |
| 37 | 415 64 64-01 | Aluminium plate |
| 38 | 415 64 44-01 | Aluminium plate |
| 39 | 415 60 38-01 | Set screw |
| 40 | 415 64 52-01 | Thread guide compl. |
| 41 | 415 64 60-01 | Front cover |
| 42a | 415 64 62-01 | Arm panel (65) |
| 42b | 415 64 63-01 | Arm panel (55) |
| 43 | 415 64 65-01 | Indicating panel |
| 44 | 415 60 45-01 | Panel base setter |
| 45 | 415 64 67-01 | Tension compl. |
| 46a | 415 64 56-01 | Indicating plate (65) |
| 46b | 415 64 40-01 | Indicating plate (55) |
| 47 | 415 60 49-01 | Pattern selector dial |
| 48 | 415 60 50-01 | Set screw |
| 49 | 415 64 23-01 | Extension table cover |
| 50a | 415 60 52-01 | Socket plate (220V) |
| 50b | 415 60 53-01 | Socket plate (120V) |
| 51 | 415 60 54-01 | Machine number plate |
| 52 | 415 62 56-01 | Sticker |
| 53 | 415 64 45-01 | Set screw |
| 54 | 415 64 22-01 | Extension table body |
| 55 | 415 62 59-01 | Bobbin winder rubber ring |



| <u>POS</u> | <u>NUMBER</u> | <u>DENOMINATION</u> | <u>POS</u> | <u>NUMBER</u> | <u>DENOMINATION</u> |
|------------|---------------|-----------------------------|------------|---------------|----------------------------|
| 1 | 415 60 55-01 | Thread take-up crank | 56 | 415 64 47-01 | Pressure support |
| 2 | 415 60 56-01 | Spring pin | 57 | 415 61 11-01 | Set screw |
| 3 | 415 60 57-01 | Set screw | 58 | 415 61 12-01 | Washer |
| 4 | 415 60 58-01 | Set screw | 59 | 415 64 51-01 | Set screw |
| 5 | 415 60 59-01 | Front bushing | 60 | 415 64 48-01 | Dial, presser bar pressure |
| 6 | 415 60 60-01 | Front bushing bracket | 61 | 415 64 97-01 | Washer |
| 7 | 415 60 03-01 | Set screw | 62 | 415 64 49-01 | Transmitting plate |
| 8 | 415 60 62-01 | Nylon washer | 63 | 415 64 71-01 | Set screw |
| 9 | 415 60 63-01 | Stop ring | | | |
| 10 | 415 60 04-01 | Set screw | | | |
| 11 | 415 60 65-01 | Upper shaft | | | |
| 12 | 415 60 66-01 | Upper shaft worm gear | | | |
| 13 | 415 60 67-01 | Set screw | | | |
| 14 | 415 60 68-01 | Feed cam | | | |
| 15 | 415 60 69-01 | Rear bushing bracket | | | |
| 16 | 415 60 70-01 | Balanced wheel | | | |
| 17 | 415 60 17-01 | Spring pin | | | |
| 18 | 415 60 72-01 | Hand wheel | | | |
| 19 | 415 60 73-01 | Stop motion washer | | | |
| 20 | 415 60 74-01 | Stop motion large screw | | | |
| 21 | 415 60 75-01 | Set screw | | | |
| 22 | 415 64 53-01 | Take-up lever compl | | | |
| 23 | 415 60 06-01 | Set screw | | | |
| 24 | 415 60 78-01 | Needle bar holder cpl. | | | |
| 25 | 415 64 50-01 | Pressure regulator plate | | | |
| 26 | 415 64 96-01 | Washer | | | |
| 27 | 415 60 81-01 | C-washer | | | |
| 28 | 415 64 46-01 | Needle bar support | | | |
| 29 | 415 60 83-01 | Zigzag driving plate | | | |
| 30 | 415 60 84-01 | Stop ring | | | |
| 31 | 415 60 19-01 | Set screw | | | |
| 32 | 415 60 86-01 | Washer | | | |
| 33 | 415 60 87-01 | Needle bar support pin | | | |
| 34 | 415 60 88-01 | Eccentric pin | | | |
| 35 | 415 60 89-01 | C-washer | | | |
| 36 | 415 60 90-01 | Spring | | | |
| 37 | 415 60 91-01 | Needle bar | | | |
| 38 | 415 60 92-01 | Needle clamp compl. | | | |
| 39 | 411 31 04-01 | Needles 5x80 | | | |
| 40 | 415 60 94-01 | Needle bar stopper plate | | | |
| 41 | 415 60 81-01 | Washer | | | |
| 42 | 415 60 96-01 | Set screw | | | |
| 43 | 415 60 97-01 | Presser bar | | | |
| 44 | 415 60 98-01 | Presser foot holder | | | |
| 45 | 415 60 99-01 | Set screw | | | |
| 46 | 415 61 00-01 | Z/Z presser foot | | | |
| 47 | 415 61 01-01 | Guide bracket | | | |
| 48 | 415 61 02-01 | Spring | | | |
| 49 | 415 61 03-01 | Spring washer | | | |
| 50 | 415 64 73-01 | Pressure bar spring | | | |
| 51 | 415 61 05-01 | Pressure bar lifter bracket | | | |
| 52 | 415 61 06-01 | Set screw | | | |
| 53 | 415 61 07-01 | Pressure bar lifter | | | |
| 54 | 415 61 08-01 | Tension release lever | | | |
| 55 | 415 61 09-01 | Set screw | | | |

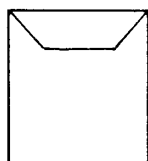


| <u>POS</u> | <u>NUMBER</u> | <u>DENOMINATION</u> | <u>POS</u> | <u>NUMBER</u> | <u>DENOMINATION</u> |
|------------|---------------|------------------------------------|------------|---------------|---------------------------|
| 1a | 415 61 17-01 | Zigzag mechanism compl. model (65) | 48 | 415 61 67-01 | Belt |
| 1b | 415 61 18-01 | Zigzag mechanism compl. model (55) | 49a | 415 61 68-01 | Motor compl. (220V) |
| 2 | 415 60 03-01 | Set screw | 49b | 415 61 69-01 | Motor compl. (120V) |
| 3 | 415 60 20-01 | Nut | 49c | 415 60 41-01 | Motor compl. (240V) |
| 4 | 415 61 21-01 | Spring (55) | 50 | 415 61 70-01 | Spring pin |
| 5 | 415 61 22-01 | Angle index pin (65) | 51 | 415 61 71-01 | Motor clutch |
| 6 | 415 64 49-01 | Angle index spring (65) | 52 | 415 61 72-01 | Motor pulley compl. |
| 7 | 415 61 24-01 | Limited plate (65) | 53 | 415 60 23-01 | C-washer |
| 8 | 415 61 25-01 | Set screw (65) | 54a | 415 61 74-01 | Motor bracket (220V) |
| 9 | 415 61 26-01 | Zero adjusting crank compl. (55) | 54b | 415 61 75-01 | Motor bracket (120V) |
| 10 | 415 61 27-01 | Set screw (55) | 55 | 415 61 76-01 | Spring washer |
| 11 | 415 61 28-01 | Riveting pin | 56 | 415 61 77-01 | Set screw |
| 12 | 415 61 29-01 | Zigzag connecting | 57a | 415 61 78-01 | Connector (220V) |
| 13 | 415 61 30-01 | Adjusting screw | 57b | 415 61 79-01 | Connector (120V) |
| 14 | 415 61 31-01 | Set screw | 58 | 415 64 58-01 | Power supply switch |
| 15 | 415 60 86-01 | Washer | 59a | 415 61 82-01 | Socket (220V) |
| 16 | 415 61 33-01 | Zigzag connect. crank A | 59b | 415 61 83-01 | Socket (120V) |
| 17 | 415 61 34-01 | Rollar | 60 | 415 61 84-01 | Set screw |
| 18 | 415 61 35-01 | Zigzag mechanism body | 61a | 415 61 85-01 | Foot control compl. 220 V |
| 19 | 415 60 09-01 | Set screw (55) | 61b | 415 61 86-01 | Foot control compl. 120 V |
| 20 | 415 61 37-01 | Washer (55) | 61c | 415 62 57-01 | Foot control compl. 240 V |
| 21 | 415 61 38-01 | Angle index spring plate (55) | 62 | 415 61 87-01 | Band |
| 22 | 415 60 89-01 | C-washer | 63 | 415 64 41-01 | Insulated plate |
| 23 | 415 61 40-01 | Spring | 64 | 415 61 89-01 | Indicating plate |
| 24 | 415 61 41-01 | Zigzag adjusting rod 1 model (65) | 65a | 415 61 90-01 | Set screw (220V) |
| 25 | 415 61 42-01 | Washer (65) | 65b | 415 61 91-01 | Set screw (120V) |
| 26 | 415 64 55-01 | Washer (65) | 66 | 415 64 16-01 | Switch wire |
| 27 | 415 61 44-01 | Wave washer (65) | 67 | 415 61 13-01 | Set screw |
| 28 | 415 61 45-01 | Set screw | | | |
| 29 | 415 61 46-01 | Zero adjusting crank compl. (65) | | | |
| 30 | 415 61 47-01 | Zigzag width dial panel model (65) | | | |
| 31 | 415 61 48-01 | Zigzag adjusting rod 2 model (65) | | | |
| 32 | 415 61 49-01 | Zigzag width dial (65) | | | |
| 33 | 415 61 50-01 | Straight stitch rod | | | |
| 34 | 415 61 51-01 | Set screw | | | |
| 35 | 415 61 52-01 | Adjusting screw | | | |
| 36 | 415 64 42-01 | Feed regulator bracket | | | |
| 37 | 415 61 54-01 | C-washer | | | |
| 38 | 415 61 55-01 | Stop ring | | | |
| 39 | 415 60 06-01 | Set screw | | | |
| 40 | 415 60 04-01 | Set screw | | | |
| 41 | 415 61 58-01 | Feed regulator spring | | | |
| 42 | 415 64 43-01 | Feed regulator | | | |
| 43 | 415 61 60-01 | Feed regulator shaft | | | |
| 44 | 415 61 61-01 | Spring | | | |
| 45 | 415 64 68-01 | Stitch length dial compl. | | | |
| 46a | 415 61 63-01 | Light cord compl. 220 V | | | |
| 46b | 415 61 64-01 | Light cord compl. 120 V | | | |
| 47a | 415 61 65-01 | Light bulb 220 V | | | |
| 47b | 415 61 66-01 | Light bulb 120 V | | | |

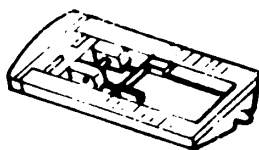


| <u>POS</u> | <u>NUMBER</u> | <u>DENOMINATION</u> | <u>POS</u> | <u>NUMBER</u> | <u>DENOMINATION</u> |
|------------|---------------|------------------------------|------------|---------------|--------------------------|
| 1 | 415 61 92-01 | Body, feed drop compl. | 56 | 415 62 47-01 | Clasp spring |
| 2 | 415 61 93-01 | Adjust. shaft, feed drop | 57 | 415 62 48-01 | Set screw |
| 3 | 415 64 57-01 | Shaft, feed drop | 58 | 415 62 49-01 | Set screw |
| 4 | 415 60 81-01 | C-washer | 59 | 415 62 50-01 | Hook driver spring |
| 5 | 415 61 96-01 | Set screw | 60 | 415 62 51-01 | Hook driver shaft |
| 6 | 415 61 30-01 | Adjusting screw | 61 | 415 62 52-01 | Hook |
| 7 | 415 60 20-01 | Nut | 62 | 415 62 53-01 | Bobbin |
| 8 | 415 61 99-01 | Spring holder | 63 | 415 62 54-01 | Bobbin case, compl. |
| 9 | 415 62 00-01 | Spring | 64 | 415 62 55-01 | Clasp (left) |
| 10 | 415 62 01-01 | Plate, feed drop | 65 | 415 63 26-01 | Crank, shaft feed rock |
| 11 | 415 62 02-01 | Adjusting screw | 66 | 415 63 09-01 | Hook race body compl. |
| 12 | 415 62 03-01 | Spring | 67 | 415 63 10-01 | Hook driver shaft compl. |
| 13 | 415 62 04-01 | Lever, feed drop | 68 | 415 64 09-01 | Set screw |
| 14 | 415 61 44-01 | Wave washer | | | |
| 15 | 415 61 27-01 | Set screw | | | |
| 16 | 415 62 07-01 | Spring pin | | | |
| 17 | 415 62 08-01 | Oscillating shaft gear | | | |
| 18 | 415 62 10-01 | Set screw | | | |
| 19 | 415 62 09-01 | Set screw | | | |
| 20 | 415 62 16-01 | Rear bushing lower shaft | | | |
| 21 | 415 60 04-01 | Set screw | | | |
| 22 | 415 62 13-01 | Stop ring | | | |
| 23 | 415 60 06-01 | Set screw | | | |
| 24 | 415 62 15-01 | Feed lifting cam | | | |
| 25 | 415 62 11-01 | Lower shaft front bushing | | | |
| 26 | 415 62 17-01 | Lower shaft | | | |
| 27 | 415 62 18-01 | Crank lower shaft | | | |
| 28 | 415 62 19-01 | Set screw | | | |
| 29 | 415 62 20-01 | Nut | | | |
| 30 | 415 62 21-01 | Cone screw | | | |
| 31 | 415 64 10-01 | Crank rod | | | |
| 32 | 415 62 23-01 | Fork rod | | | |
| 33 | 415 62 24-01 | Set screw | | | |
| 34 | 415 62 25-01 | Slide block fork rod | | | |
| 35 | 415 62 26-01 | C-washer | | | |
| 36 | 415 62 27-01 | Connecting ring | | | |
| 37 | 415 62 28-01 | Center pin | | | |
| 38 | 415 63 27-01 | Set screw | | | |
| 39 | 415 62 29-01 | Set screw | | | |
| 40 | 415 62 31-01 | Crank shaft, feed rock | | | |
| 41 | 415 62 32-01 | Shaft, feed rock | | | |
| 42 | 415 63 25-01 | Set screw | | | |
| 43 | 415 62 34-01 | Feed dog base | | | |
| 44 | 415 60 89-01 | C-washer | | | |
| 45 | 415 62 36-01 | Shaft feed dog base | | | |
| 46 | 415 62 37-01 | Set screw feed dog | | | |
| 47 | 415 62 38-01 | Feed dog | | | |
| 48 | 415 64 72-01 | Hook gear | | | |
| 49 | 415 62 40-01 | Stop ring, hook driver shaft | | | |
| 50 | 415 62 41-01 | Nylon washer | | | |
| 51 | 415 64 76-01 | Hook race body | | | |
| 52 | 415 62 43-01 | Hook race ring | | | |
| 53 | 415 63 08-01 | Spring | | | |
| 54 | 415 62 45-01 | Set screw | | | |
| 55 | 415 62 46-01 | Clasp (right) | | | |

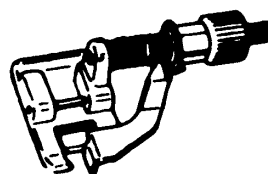
Accessories



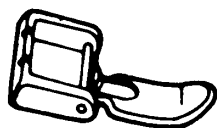
415 62 60-01
Plastic bag
with accessories



415 62 66-01
Buttonhole foot



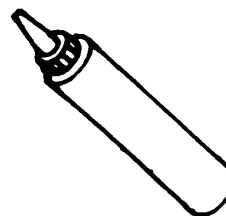
415 62 67-01
Blind stitch foot



415 64 15-01
Zipper foot



415 64 31-01
Darning plate



415 64 34-01
Oil

- 401 53 99-01 Buttonhole knife
- 401 55 55-01 Brush
- 412 28 90-01 Screw driver (small)
- 412 38 15-01 Screw driver (large)
- 415 62 68-01 Hemmer foot
- 415 64 12-01 Quilting guide
- 415 64 13-01 Edge guide
- 415 64 16-01 Thread guide
- 415 64 17-01 Dust cover
- 415 64 21-01 Darning foot

Operating manuals

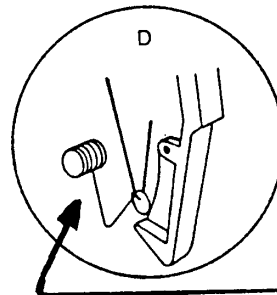
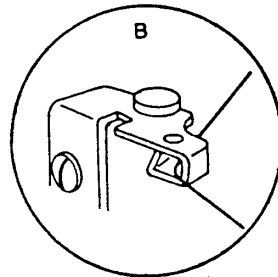
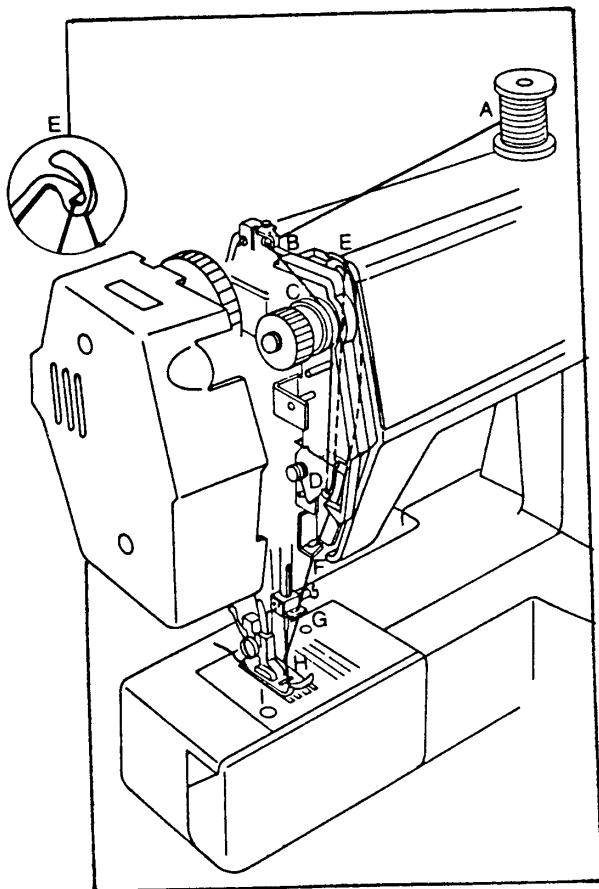
- 412 37 43-05 Operating manual Swedish/Finnish
- 412 37 43-15 Operating manual Danish/Norwegian
- 412 37 43-25 Operating manual Dutch/French
- 412 37 43-26 Operating manual English
- 412 37 43-35 Operating manual German/Italian
- 412 37 43-90 Operating manual Czech

MODELE DE MACHINE
Huskystar
55/65

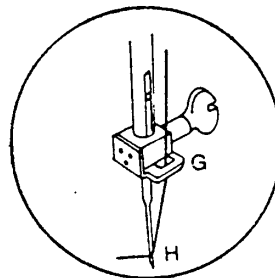
NOTICE DE SERVICE N°
S 94/07 - 31
DATE
94-06-13

NOUVELLES PIECES DE RECHANGES

Ressort avance numéro de réf. 415 65 05-01



415 65 05-01



MODELE DE MACHINE

Huskystar
50/60/55/65

NOTICE DE SERVICE N°

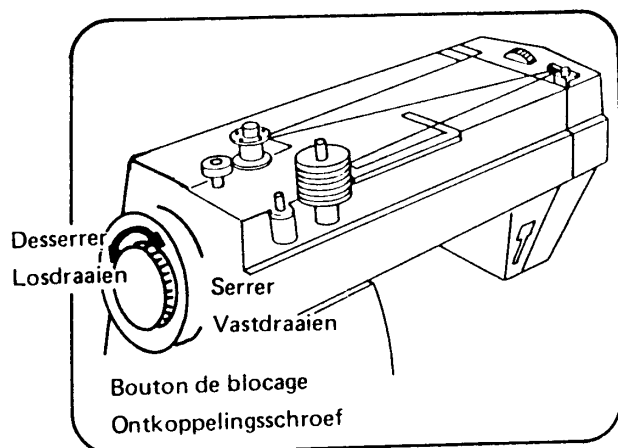
S 94/06 - 31

DATE

94-06-13

DEGAGEMENT DE L'AIGUILLE AU BOBINAGE DE LA CANETTE.

Bobinage de la canette/Spoelen



1. Desserrez le bouton de blocage en le tournant vers vous.
2. Enfilez le fil comme montre la figure.
3. Lorsque la canette est pleine, serrez le bouton de blocage.

1. Ontkoppelingsschroef naar U toe losdraaien.
2. De draad inrijgen, zie afbeelding.
3. Wanneer de spoel vol is, de ontkoppelingsschroef weer vastdraaien.

Sur un petit nombre de ces machines il a été difficile de desserrer le bouton de blocage dans le volant en essayant de bobiner le fil inférieur.

Afin d'éliminer ce problème on a introduit une nouvelle rondelle entre le bouton de blocage et la rondelle de blocage (voir ill.).

Cela a été introduit aux modèles Huskystar 55 et 65 à partir de la commande S 94/2.

Au cas de nécessité cette rondelle peut être montée à tous les modèles Huskystar selon ci-dessus.

N° de réf.: 415 65 04-01 Rondelle

