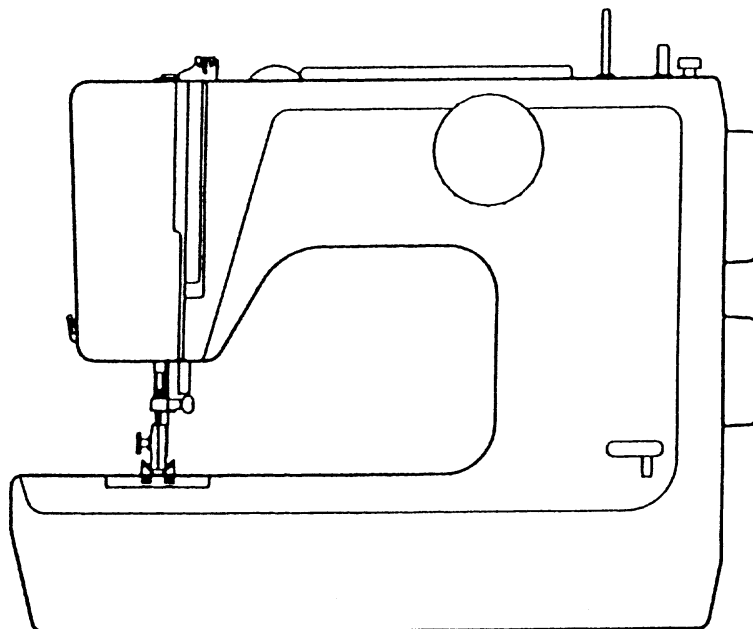
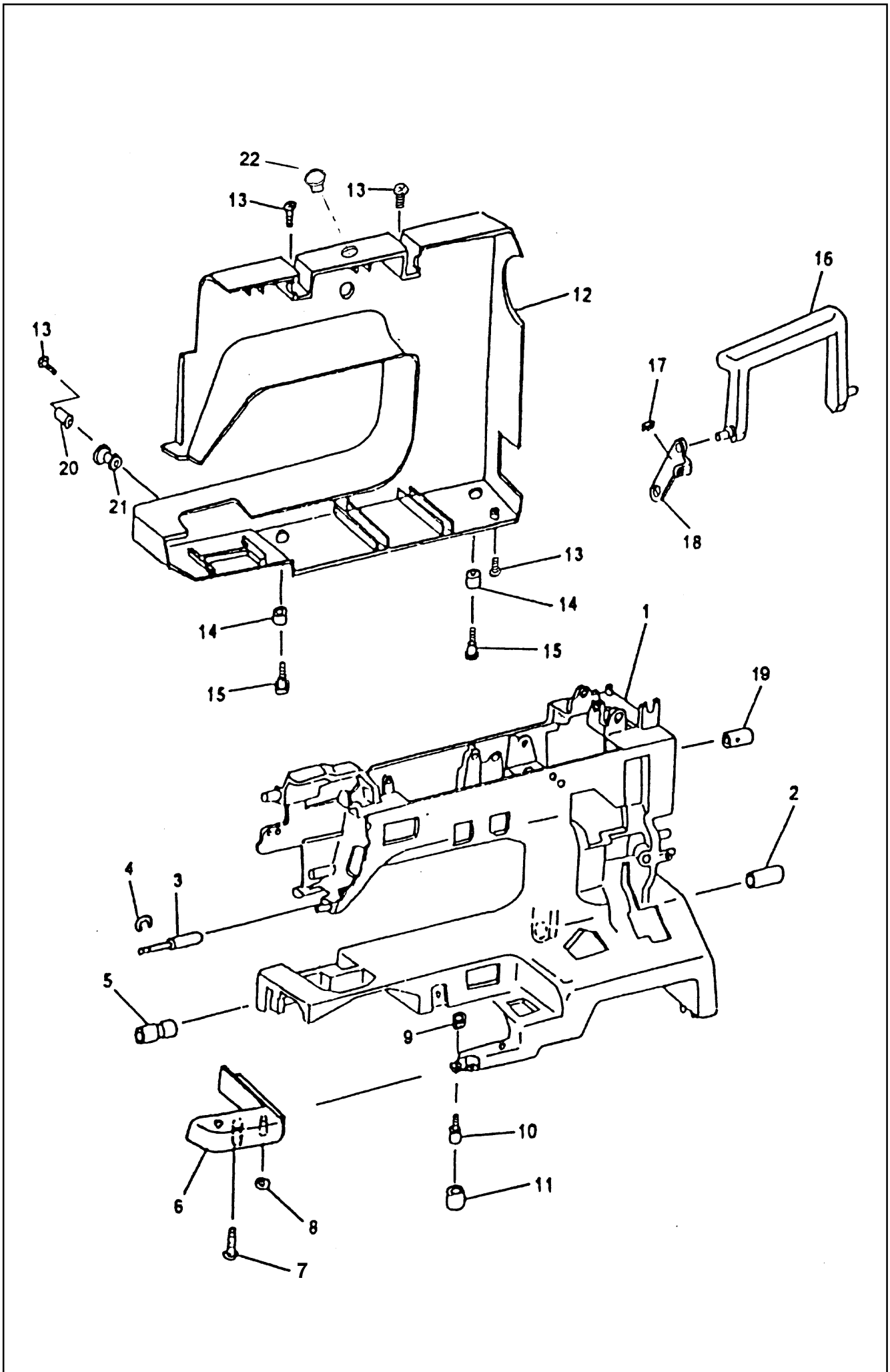


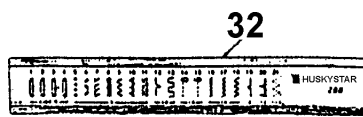
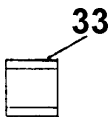
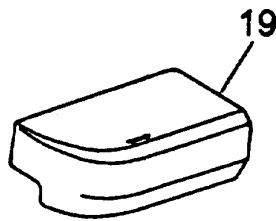
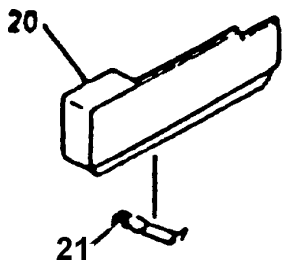
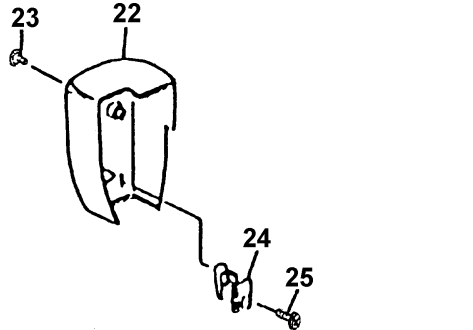
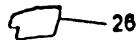
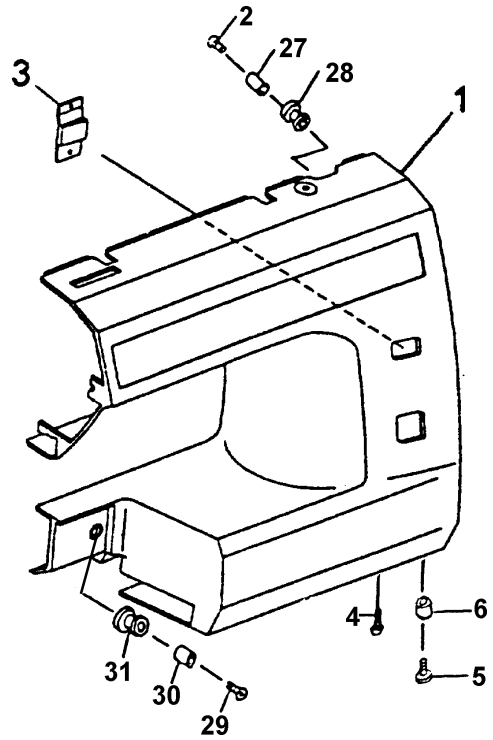
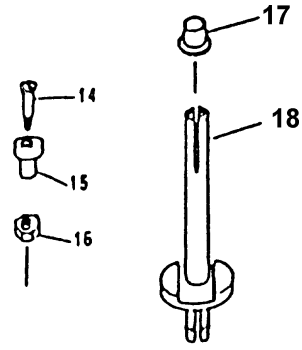
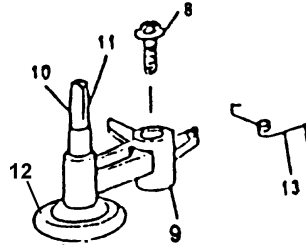
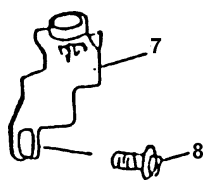
Spare parts
Ersatzteile
Pièces détachées
Reservdelar



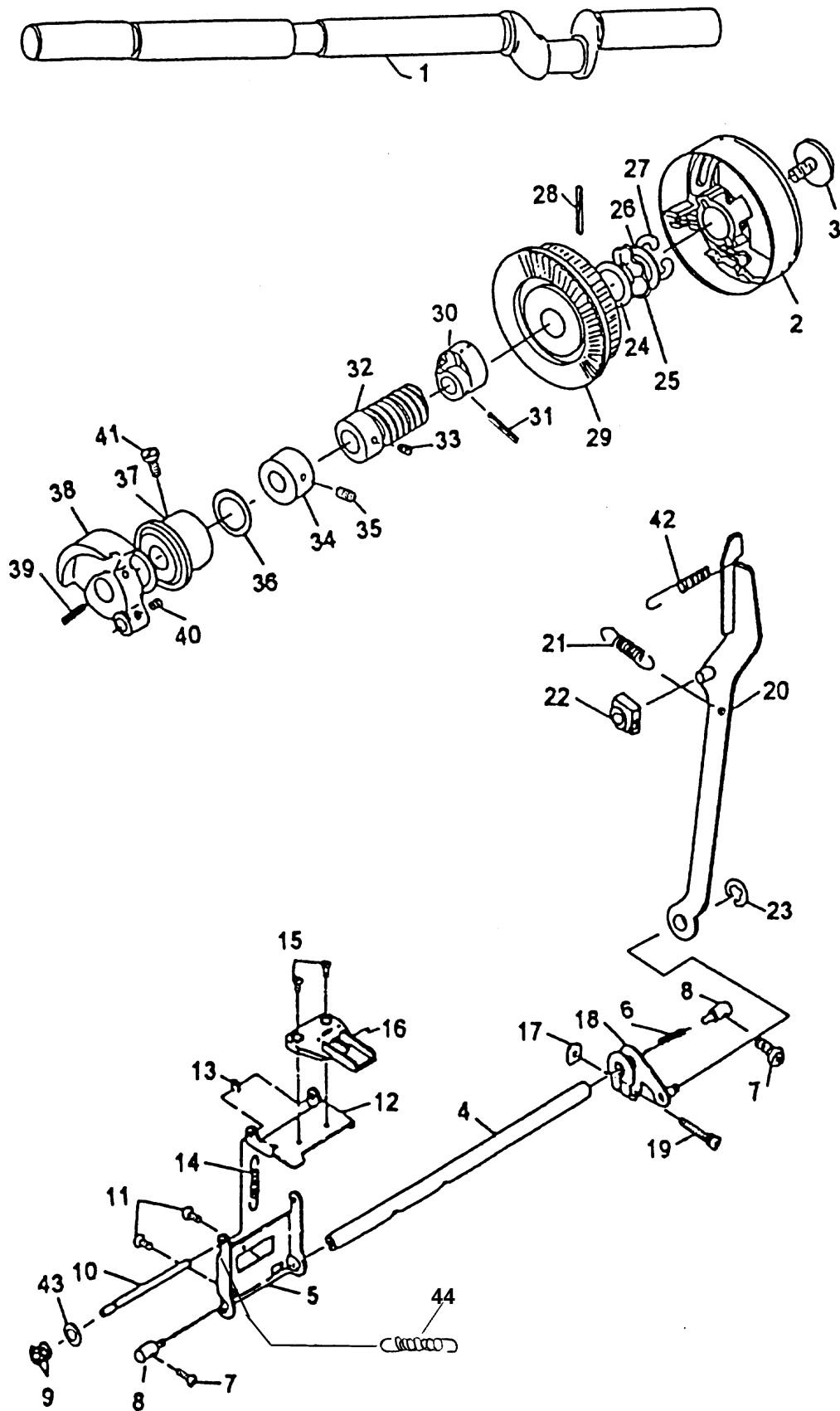
Huskystar
290
280
270



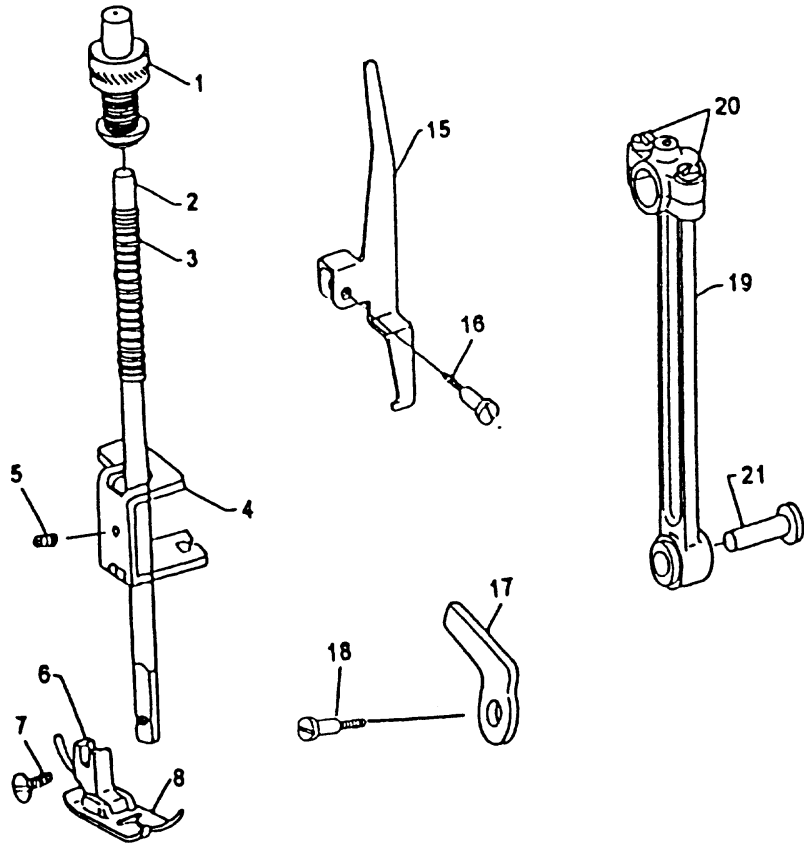
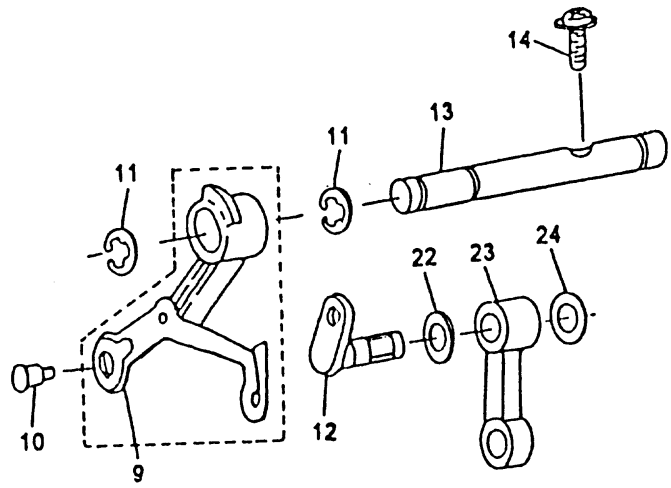
INDEX NO.	REF.NO	PART NAME
2.	150003-542	Lower Shaft Bushing -R-
3.	1921002-347	Needle Bar Support Guide pin
4.	40109	E-Ring
5.	1921003-543	Lower Shaft Bushing -F-
6.	1923001-196-651	Assistant Foot cover
7.	10988	Set screw For Assistant Foot cover
8.	40303	CS Nut
9.	30403	Adjusting Nut
10.	11516	Adjusting screw
11.	1150001-152	Rubber Foot -F-
12.	1940001-175-651	Rear cover - 290,280
	1921001-175-651	Rear cover - 270
13.	11926	Set screw for rear cover
14.	1921001-152	Rubber Foot -R-
15.	10810	Set screw
16.	1921001-371-651	Handle
17.	30108	Nut
18.	1921001-372	Handle Bracket
19.	150003-114	Upper Shaft Bushing -R-
20.	60199	Spacer-B-
21.	1921001-142	Prevent Vibration Rubber -B-
22.	1921001-158-651	S.S Cap



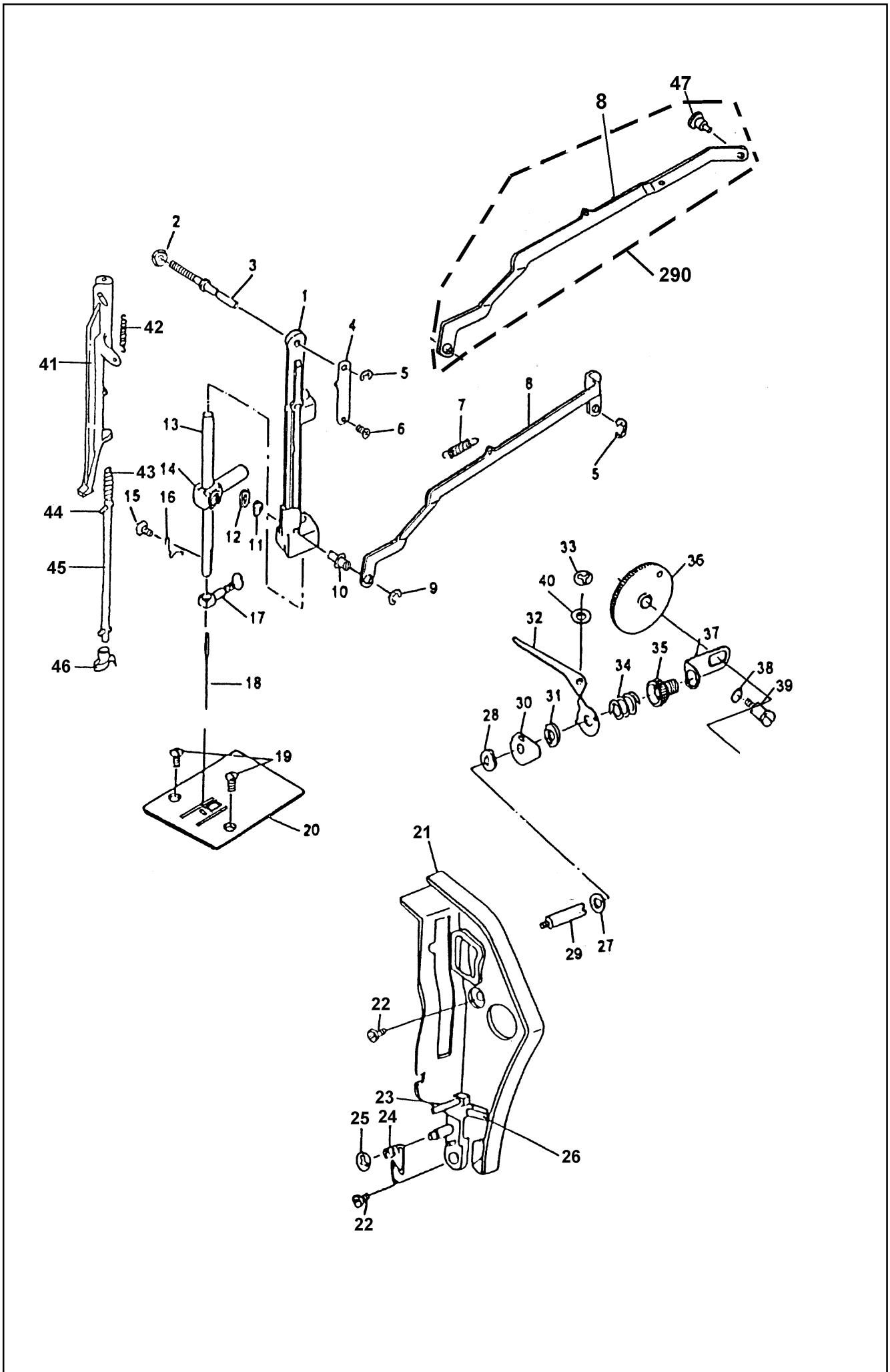
INDEX NO.	REF.NO.	PART NAME
1.	1953001-174-651	Front cover - 290
	1943011-174-651	Front cover - 280
	1923001-174-651	Front cover - 270
2.	11932	Set screw For Front cover
3.	1923001-146	Pattern window
4.	10981	Set screw For Front cover
5.	10810	Set screw
6.	1921001-152	Rubber Foot -R-
7.	1923002-680	Thread Guider Ass'y
8.	10978	Set screw
9.	1921002-620	Bobbin winder Frame Ass'y
10.	1921002-641-651	Bobbin winder spindle
11.	150002-643	Bobbin stopper spring
12.	710002-632	Rubber Ring
13.	1840002-644	Bobbin winder Frame spring
14.	11101	Set screw For Bobbin stopper
15.	150002-626-651	Bobbin winder stopper
16.	30101	Nut
17.	1921002-182-651	Spool pin Holder
18.	1921002-181-651	Spool pin
19.	1923001-165-651	Assistant plate
20.	1921001-163-651	Bed cover
21.	550001-382	Bed cover spring
22.	1923001-320-651	Face cover
23.	11924	Set screw for facecover
24.	1840002-660-5	Thread cutter Ass'y - 290
	1840002-660-3	Thread cutter Ass'y - 280, 270
25.	11203	Set screw For thread cutter
26.	1550001-329	Face cover seat
27.	60198	Spacer-A-
28.	1921001-141	Prevent Vibration Rubber -A-
29.	11926	Set screw For Front cover
30.	60199	Spacer-B-
31.	1921001-142	Prevent Vibration Rubber -B-
32.	1953009-161	Front cover panel -290
	1943009-161	Front cover panel -280
	1913009-161	Front cover panel -270
33.	1913009-167	Face cover panel



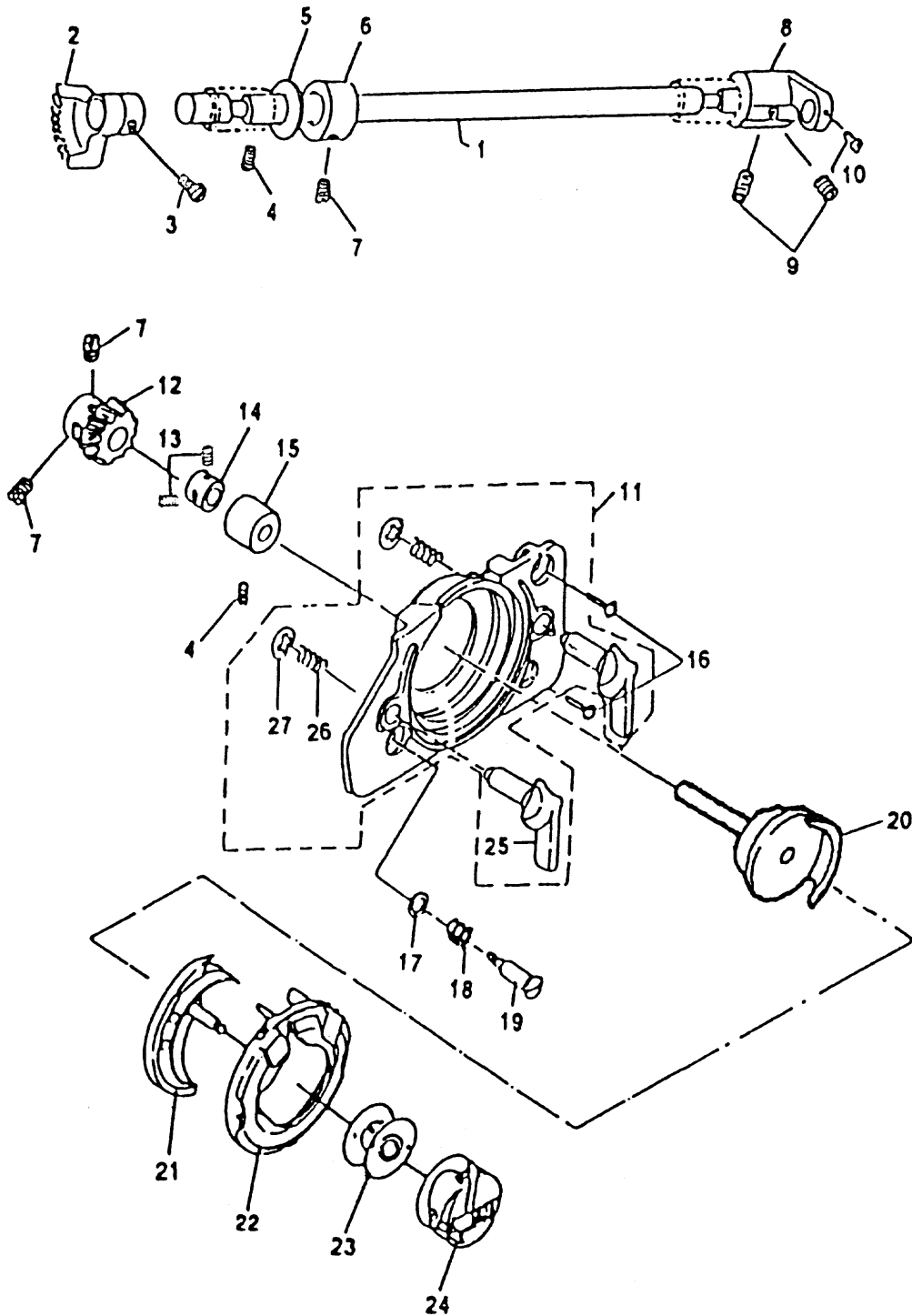
INDEX NO.	REF.NO.	PART NAME
1.	1750003-111	Upper Shaft
2.	1750003-105-651	Handwheel Ass'y
3.	10937	Set screw for Upper shaft
4.	1921004-511	Feed Rock shaft
5.	1921004-502	Feed plate Ass'y
6.	850004-527	Spring For Feed Rock shaft Pin
7.	10976	Set screw
8.	1350004-526	Center Pin
9.	40306	CS-Ring
10.	1921004-514	Feed plate shaft
11.	10942	Set screw
12.	1921004-512	Feed Bar
13.	40102	E-Ring
14.	1950014-516	Feed Bar spring
15.	11935	Set screw for Feed Dog
16.	1921004-513	Feed Dog
17.	30301	Square Nut
18.	1921004-505	Feed Rock shaft crank
19.	20201	Set screw for Feed Rock shaft crank
20.	1921004-140	Feed Forked Rod
21.	1921004-142	Feed Forked Rod spring
22.	1150004-122	Sliding Block
23.	40104	E-Ring
24.	60125	Washer
25.	60418	Wave Washer
26.	60189	Washer
27.	40108	E-Ring
28.	50425	Spring pin
29.	1921003-154	Pulley
30.	1921004-151	Feed cam
31.	50409	Pin
32.	1950005-143	Worm gear - 290
	150005-143	Worm gear - 280, 270
33.	10126	Set screw
34.	150003-115	Collar
35.	10104	Set screw
36.	60125	Washer
37.	150003-112	Bushing
38.	150003-131	Crank Weight
39.	50410	Spring pin
40.	10104	Set screw
41.	10982	Set screw
42.	1950004-142	Feed Rod spring - 290
	1921004-145	Feed Rod spring - 280, 270
43.	60141	Washer
44.	1950004-638	Feed Lever Spring - 290



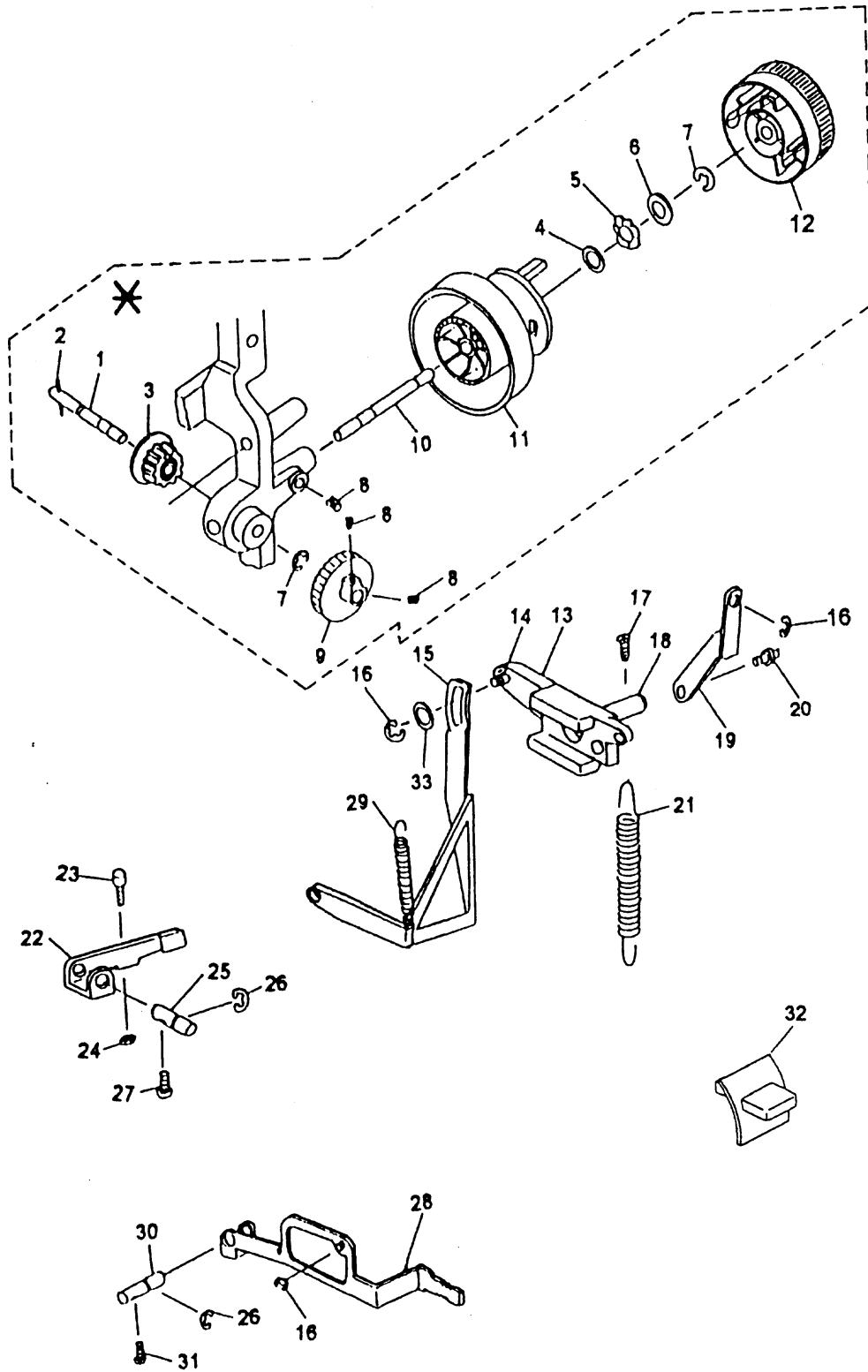
INDEX NO.	REF.NO.	PART NAME
1.	1953012-307	Pressure Regulator
2.	1750002-361	Presser Bar
3.	950002-362	Presser Bar spring
4.	1921002-376	Presser Bar Brackett
5.	10131	Set screw for presser Bar Bracket
6.	150042-351	Presser Foot Holder
7.	11921	Set screw for presser Foot Holder
8.	150022-352	Zigzag Sewing Foot (S/O Type)
9.	1921002-410	Take-UP lever
10.	1921002-423	Needle Bar crank pin
11.	40103	E-Ring
12.	1921002-422	Needle Bar crank
13.	1921002-414	Take-UP lever spindle
14.	10990	Set screw for Take-Up lever spindle
15.	550002-391	Tension Release lever
16.	11048	Set screw for Tension Release lever
17.	550002-366	Presser Bar lifter
18.	11010	Set screw for presser Bar lifter
19.	550003-330	Crank Rod
20.	10701	Set screw for crank Rod
21.	150004-515	Hinge pin
22.	60102	Washer
23.	1921002-321	Needle Bar crank Rod
24.	60124	Washer



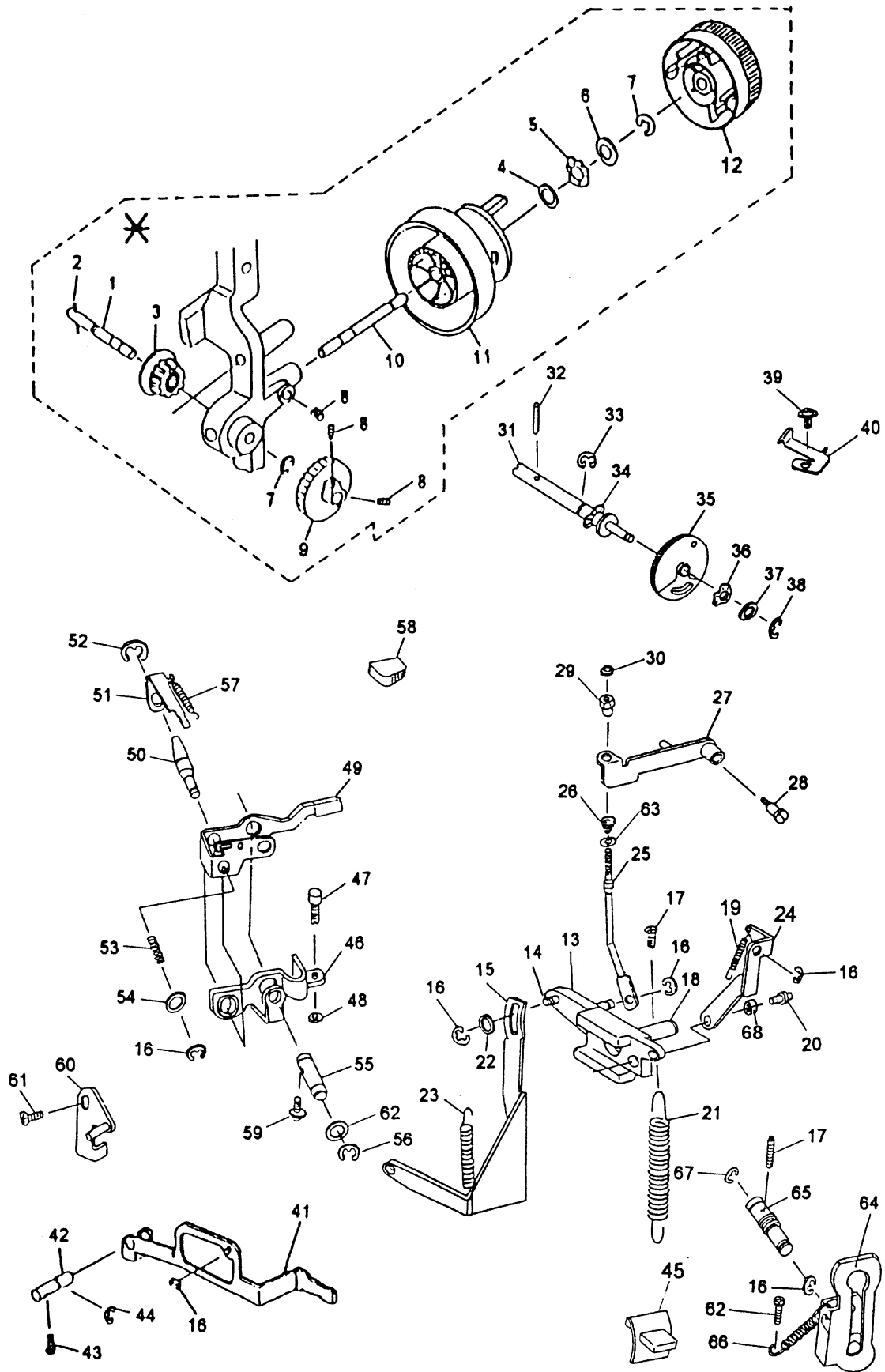
INDEX NO.	REF.NO.	PART NAME
1.	1921012-330	Needle Bar support - 280, 270
	1921002-330	Needle Bar support -290
2.	30403	Nut
3.	1150002-332	Needle Bar support shaft
4.	11150002-335	Needle Bar support spring
5.	40102	E-Ring
6.	11213	Set screw
7.	1921005-513	Connecting Rod spring
8.	1950005-511	Connecting Rod - 290
	1921005-511	Connecting Rod - 280, 270
9.	40102	E-Ring
10.	1921005-512	Eccentric pin
11.	60413	Wave washer
12.	60122	Washer
13.	1750002-311	Needle Bar 280, 270
	1710002-311	Needle Bar 290
14.	1840002-320	Needle Bar connector Ass'y
15.	11003	Set screw For Thread Guide
16.	1921002-341	Needle Bar Thread Guide
17.	370002-343	Needle clamp Ass'y
18.	411 31 04-01	Needle 5 x #80
19.	10401	Set screw for Needle plate
20.	1921011-511	Needle plate
21.	1923002-160-651	Thread Guide plate Ass'y
22.	10981	Set screw
23.	50428	Spring pin
24.	1350002-137	Check spring
25.	40304	CS-Ring
26.	50429	Spring pin
27.	60138	Washer
28.	550002-132	Tension Disc -L-
29.	1921002-124	Thread Guide plate stud
30.	1923002-133	Inter mediate Disc
31.	550002-131	Tension Disc R - 280 , 270
32.	1921002-396	Tension Release plate
33.	40306	CS stopper Ring
34.	1921002-138	Tension spring
35.	550002-126	Tension Adjusting screw
36.	1921002-153-651	Tension Dial
37.	1921002-155	Connecting plate
38.	60410	Wave washer
39.	11048	Tension Dial stud
40.	60141	Washer
41.	1130002-431-650	Threader - 290
42.	1130002-437	Threader Spring - 290
43.	1130002-434	Threader Shaft Spring - 290
44.	11022	Threader Pin - 290
45.	1130002-402	Threader Shaft - 290
46.	1130002-404	Threader Hook- 290
47.	1950005-132	Connecting rod pin 280, 290



INDEX NO.	REF.NO.	PART NAME
1.	550003-541	Lowershaft
2.	1150003-570	Lower shaft Gear
3.	11014	Set screw for Lower shaft Gear
4.	10125	Set screw
5.	60155	Flat washer
6.	1921003-580	Lower shaft collar
7.	10124	Set screw for Lower shaft collar
8.	550003-540	Lower shaft crank
9.	20301	Set screw for Lower shaft crank
10.	10914	Set screw for Hinge pin
11.	1921003-051	Shuttle Race Ass'y
12.	1921003-504	Shuttle Drive Gear
13.	10124	Set screw
14.	150003-514	Shuttle Drive shaft collar
15.	1921003-536	Shuttle Drive shaft bush
16.	10981	Set screw
17.	60149	Washer
18.	1350003-578	Set spring for shuttle Race
19.	11529	Set screw
20.	1921003-052	Shuttle Driver Ass'y
21.	110003-532	Shuttle Hook
22.	1350003-150	Shuttle Race cover
23.	1921003-520	Bobbin
24.	710003-560	Bobbin case
25.	1350003-555	Tighten latch for Shuttle Race cove
26.	1350003-556	Tighten latch spring
27.	40303	Push nut

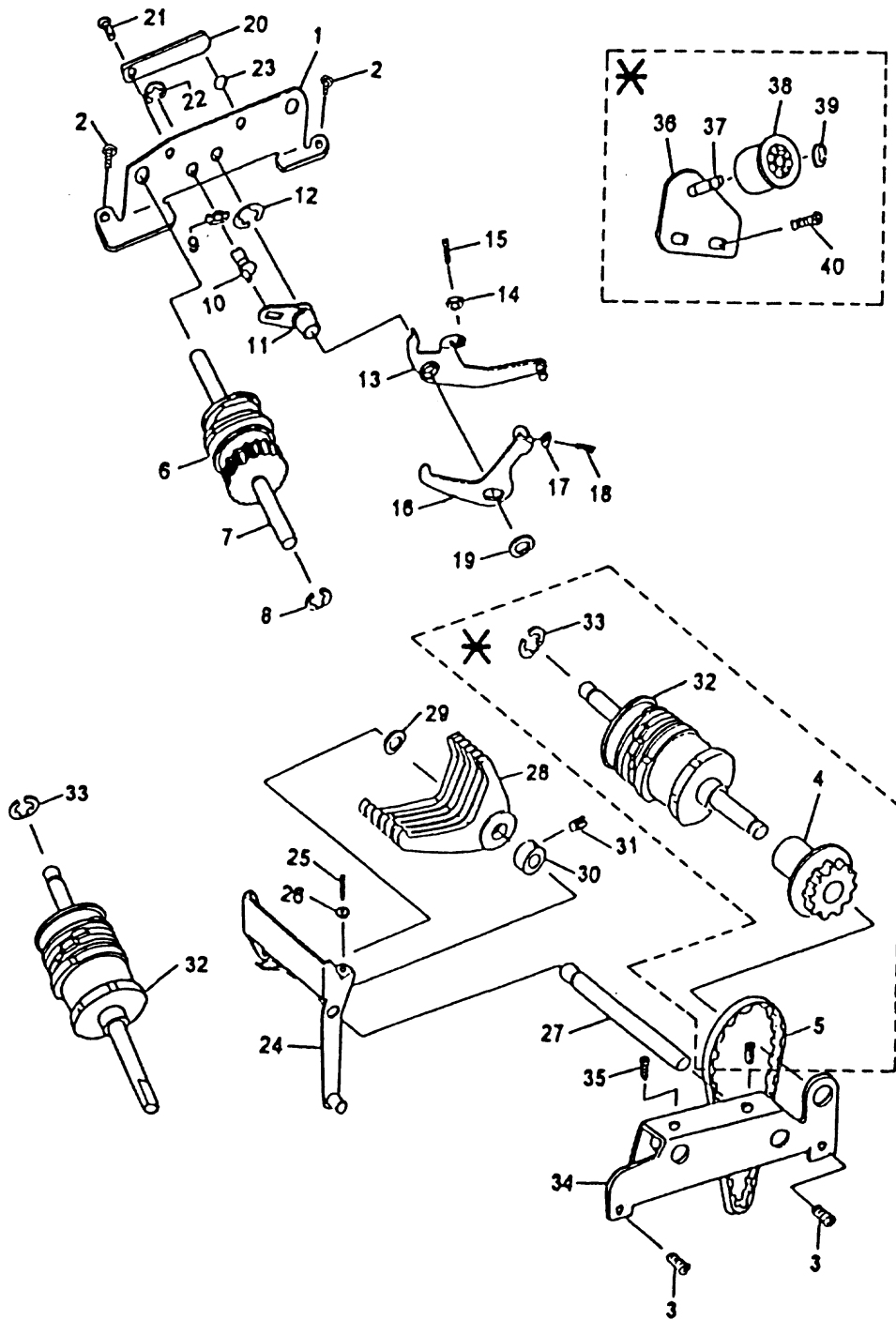


INDEX NO.	REF.NO.	PART NAME
1.	1920007-620	Crank Gear shaft
2.	50316	Spring pin
3.	1920006-385	Selecting cam crank Gear -B-
4.	60123	Washer
5.	60409	Wave Washer
6.	60105	Washer
7.	40106	E-Ring
8.	10124	Set screw
9.	1920007-656	Selecting cam crank Gear -C-
10.	1920007-632	Selecting Dial shaft
11.	1913007-657-651	Pattern indicating Body
12.	1920007-521-651	Pattern selecting Dial
13.	1921004-101	Feed Regulator
14.	1921004-129	Feed Regulator Rod
15.	11921004-369	Reverse sewing lever
16.	40110	E-Ring
17.	10125	Set screw
18.	1921004-115	Feed Regulator shaft
19.	1921006-631	Feed connecting Rod
20.	1921004-134	Reverse sewing pin
21.	1921004-123	Feed Regulator spring
22.	1921004-721	Feed lifting Arm
23.	11510	Adjusting screw
24.	30403	Nut
25.	1921004-711	Feed Lifting Arm shaft
26.	40101	E-Ring
27.	10958	Set screw
28.	1921004-306	Reverse sewing Lever
29.	1921004-364	Reverse sewing Lever spring
30.	1921004-138	Reverse sewing lever shaft
31.	10958	Set screw
32.	1923004-361-651	Reverse sewing Knob
33.	60138	Washer



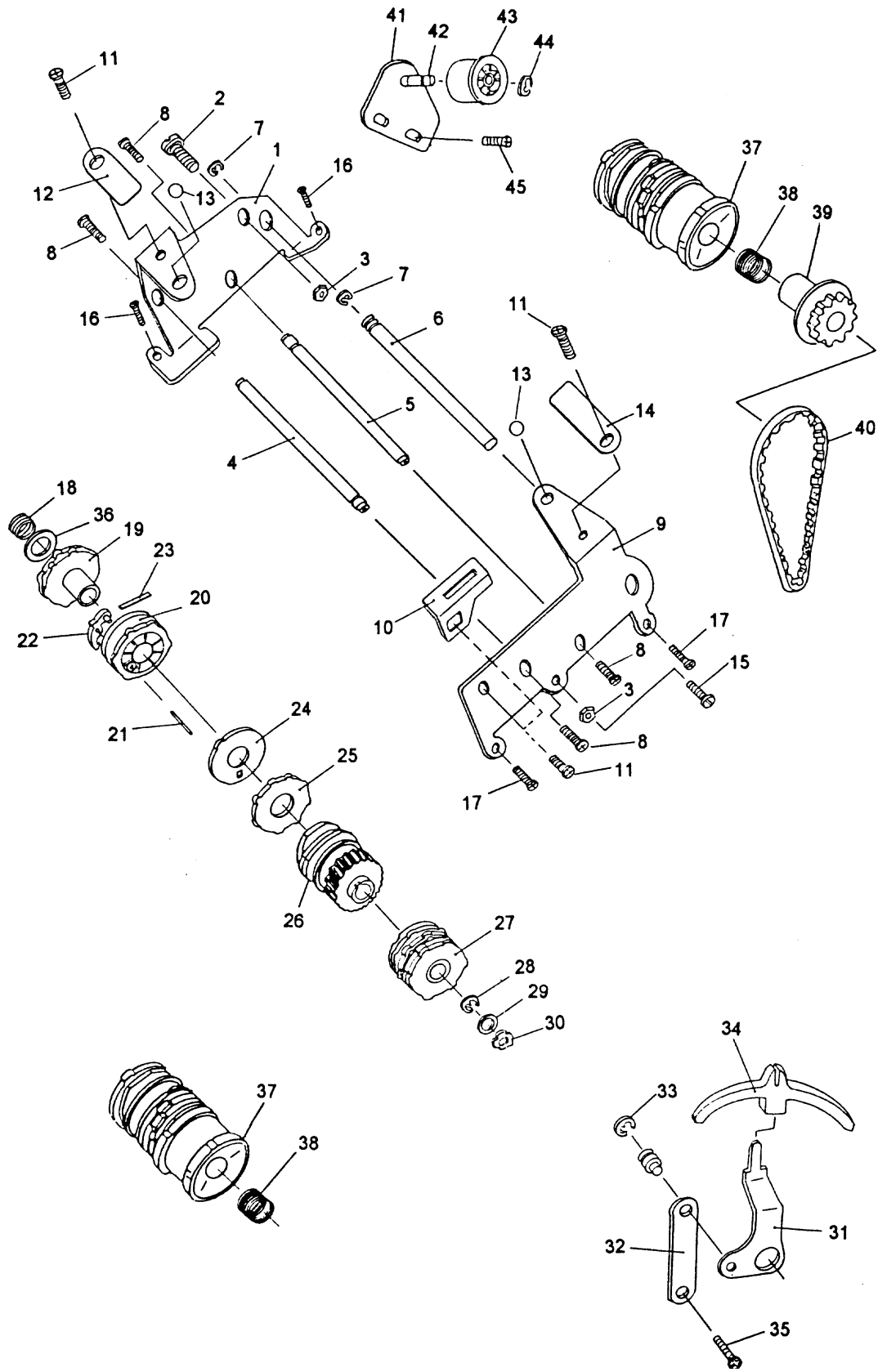
- only Huskystar 280,290

REF.NO.	PART NAME	REF.NO.	PART NAME	
1.	1920007-620	59.	10990	Set Screw
2.	50316	60.	1940004-750	Feed Lifting Stopper
3.	1920006-385	61.	10955	Set Screw
4.	60123	62.	60145	Washer -290
5.	60409	63.	60181	Washer - 290
6.	60105	64.	1950005-111	Z/Z Regulator - 290
7.	40106	65.	1950005-713	Z/Z Regulating Shaft -290
8.	10124	66.	1950005-113	Z/Z Regulator Spring -290
9.	1920007-656	67.	40104	E-Ring - 290
10.	1920007-632	68.	1950006-635	Feed connecting rod collar
11.	1953007-657-651			
	1943007-657-651			
12.	1920007-521-651			
13.	1921004-101			
	1940004-101			
14.	1921004-129			
15.	1921004-369			
16.	40110			
17.	10125			
18.	1921004-115			
19.	1940006-631			
	1940006-632			
20.	1921004-134			
21.	1921004-123			
22.	60138			
23.	1921004-364			
24.	1950006-631			
	1940006-632			
25.	1940004-366			
26.	1940004-364			
27.	1940004-130			
28.	11044			
29.	30404			
30.	30403			
31.	1940004-336			
32.	50416			
33.	40106			
34.	60406			
35.	1940034-316-651			
	1940004-316-651			
36.	60416			
37.	60137			
38.	40102			
39.	10978			
40.	1940004-325			
41.	1921004-306			
42.	1921004-138			
43.	10958			
44.	40101			
45.	1923004-361-651			
46.	194004-700			
47.	11510			
48.	30403			
49.	1940004-721			
50.	1940004-745			
51.	1940004-762			
52.	40103			
53.	1940004-754			
54.	60148			
55.	1940004-711			
56.	40101			
57.	1940004-764			
58.	1940004-761-651			



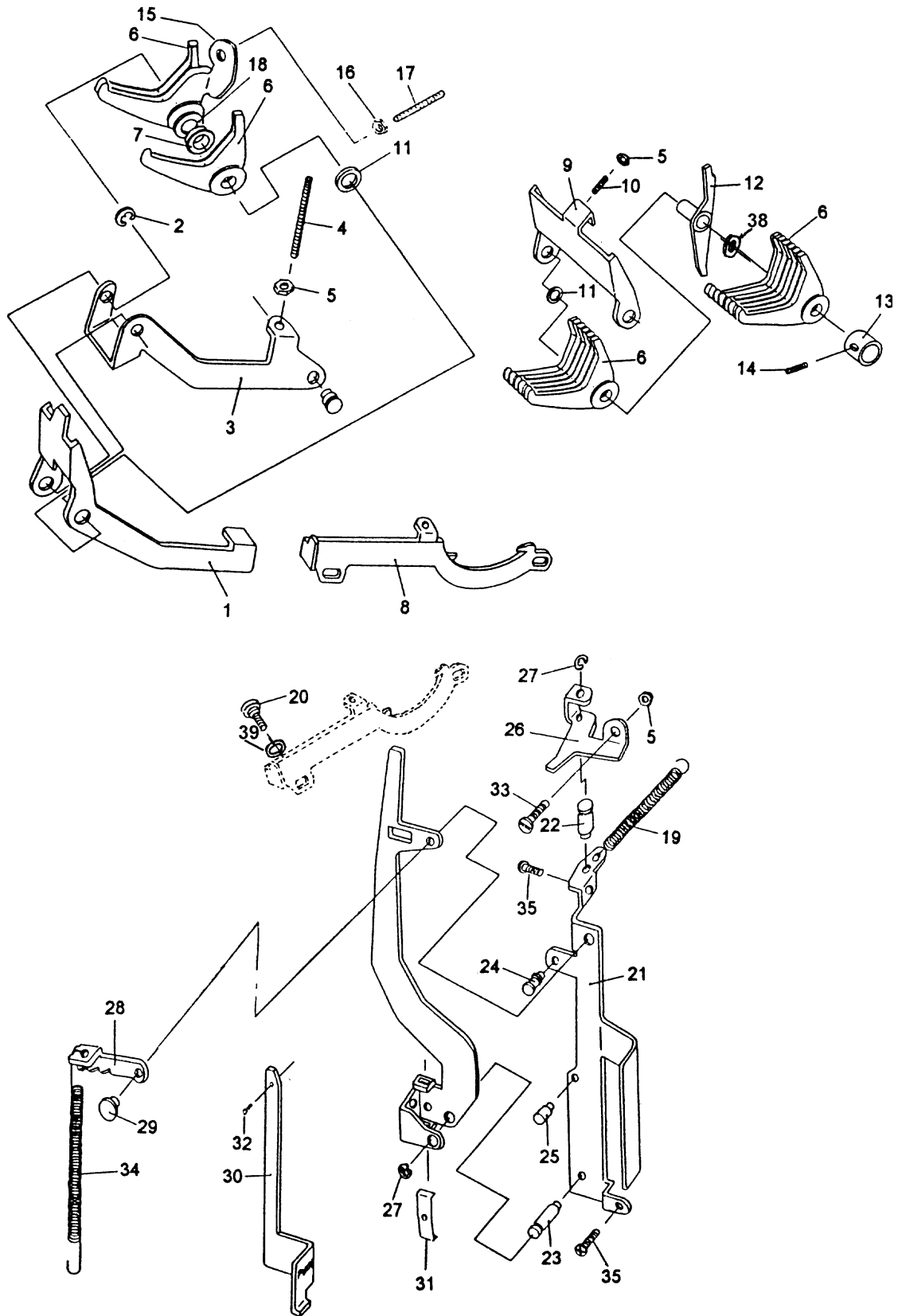
INDEX NO.	REF.NO.	PART NAME
1.	1940006-100	Zigzag Unit
2.	10957	Set screw
3.	10962	Set screw
4.	1920006-384	Selecting cam Driving Gear -A-
5.	1920007-658	Selecting cam Driving Belt
6.	1921006-110	Pattern cam
7.	1921006-136	Pattern cam shaft
8.	40103	E-Ring
9.	60404	Wave washer
10.	1921006-613	Feed adjusting shaft
11.	590016-661	Feed adjusting Arm
12.	40106	E-Ring
13.	1940006-610	Feed Reverse lever -280
	1921006-610	Feed Reverse lever -270
14.	30403	Nut
15.	10123	Adjusting screw
16.	1921006-125	Contacting Finger
17.	30118	Nut
18.	10123	Adjusting screw
19.	60112	Washer
20.	1921007-518	Step spring - 270
	1460007-518	Step spring - 280
21.	10941	Set screw
22.	40106	E-Ring
23.	90204	Steel Ball
24.	1921006-140	Contacting Guide Ass'y
25.	10123	Adjusting screw
26.	30403	Nut
27.	1921006-117	Contacting Finger shaft
28.	590006-124	Contacting Finger
29.	60112	Washer
30.	150006-375	Collar
31.	10804	Set screw
32.	1920006-531	Selecting cam - 270
	1940006-531	Selecting cam -280
33.	40103	E-Ring
34.	1921006-111	Finger Guide plate -F-
35.	10961	Screw
36.	1920007-694	Tension plate
37.	1920007-695	Tension plate shaft
38.	1920007-696	Tension pulley
39.	40104	E-Ring
40.	10955	Screw

Model 290

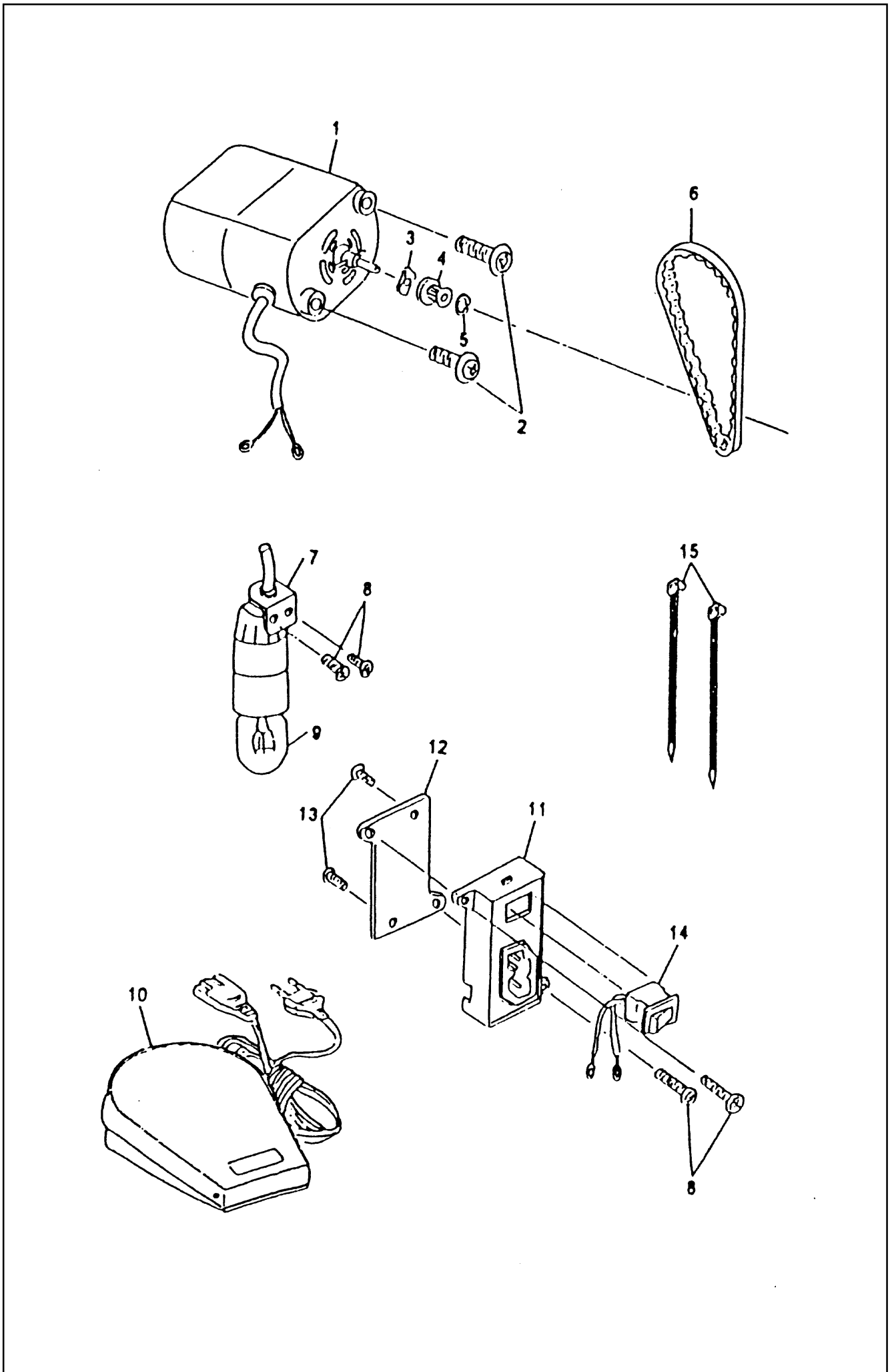


INDEX NO.	REF.NO.	PART NAME
1.	1950006-112	Pattern Cam Plate -R -
2.	11914	Adjusting Screw
3.	30403	Nut
4.	1950006-136	Pattern Cam Shaft
5.	1950006-117	Contacting finger Cam Shaft
6.	1950007-632	Pattern Selecting Cam Shaft
7.	40103	E-Ring
8.	11933	Set Screw
9.	1950006-111	Pattern Cam Plate-F -
10.	1950005-116	Z/Z Control Plate
11.	10941	Set Screw
12.	1950005-158	B.H Cam Control Spring
13.	90204	Steel Ball
14.	1950007-518	Selecting Cam Control Spring
15.	11925	Adjusting Screw
16.	10955	Set Screw
17.	10942	Set Screw
18.	1950006-119	Pattern Cam Spring
19.	1950006-311	S. S Pattern Cam
20.	1950006-561	B.H Pattern Cam
21.	1950006-184	B.H Pattern Pin
22.	1950006-183	B.H Change Plate
23.	1840005-534	B.H Change Plate Spring
24.	1950006-171	Standard Chang Ring
25.	1950006-312	B. H Sewing Cam
26.	1950006-310	Z/Z Pattern Cam -R -
27.	1950006-110	Z/Z Pattern Cam -F -
28.	40103	E-Ring
29.	60177	Washer
30.	60404	Wave Washer
31.	1950007-500	Z/Z Lever Ass'y
32.	1950005-181	Z/Z Adjusting Lever
33.	40110	E-Ring
34.	1950007-524	Z/Z Adjusting Dial
35.	11050	Adjusting Screw
36.	60145	Washer
37.	1950006-531	Pattern Selecting Cam
38.	1950007-633	Selecting Cam Spring
39.	1920006-384	Selecting Cam Driving Gear-A-
40.	1920007-658	Selecting Cam Driving Belt
41.	1920007-694	Tension Plate
42.	1920007-695	Tension Plate Shaft
43.	1920007-696	Tension Pulley
44.	40104	E-Ring
45.	10955	Set Screw

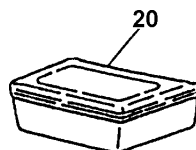
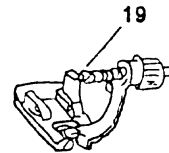
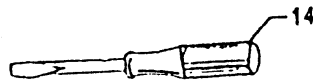
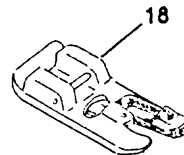
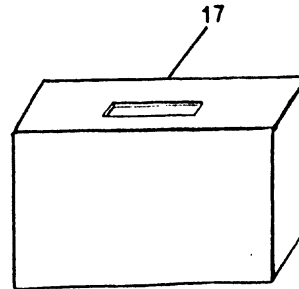
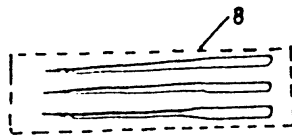
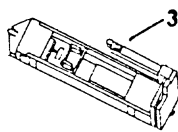
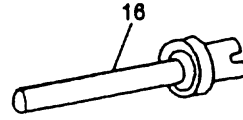
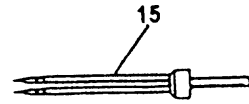
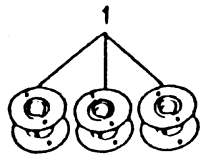
Model 290



INDEX NO.	REF.NO.	PART NAME
1.	1950006-671	Feed contacting finger Guider
2.	40106	E-Ring
3.	1950006-610	Feed Lever
4.	10134	Adjusting Screw
5.	30403	Nut
6.	1950006-124	Contacting Finger
7.	1950006-165	Spacer-A-
8.	1950006-684	B.H Change Plate
9.	1950006-143	Z/Z Contacting Finger Guider
10.	10136	Adjusting Screw
11.	60123	Washer
12.	1950006-270	Z/Z Driver Lever
13.	1950006-375	Contacting Finger Collar
14.	10131	Screw
15.	1950006-125	Feed Contacting Finger
16.	30403	Nut
17.	20113	Adjusting Screw
18.	60121	Washer
19.	1950007-552	B.H Change Plate Spring
20.	10955	Screw
21.	1950006-641	B.H Change Plate
22.	1950006-642	B.H Change Pin -A-
23.	1950006-463	B.H Change Pin-B -
24.	1950006-567	Change Lever Control Pin
25.	1950006-568	Change Lever Stopper
26.	1950006-563	B.H Change Lever -A-
27.	40110	E-Ring
28.	1950006-682	Change Lever Maintain Plate
29.	1950006-564	Maintain Plate Pin
30.	1950006-562	B.H Change Lever
31.	1950006-566	B.H Change Lever Spring
32.	1950006-565	B.H Change Lever Pin
33.	11914	Adjusting Screw
34.	1950006-683	Change Lever Spring
35.	10955	Screw
38.	60112	Washer
39.	60159	Washer

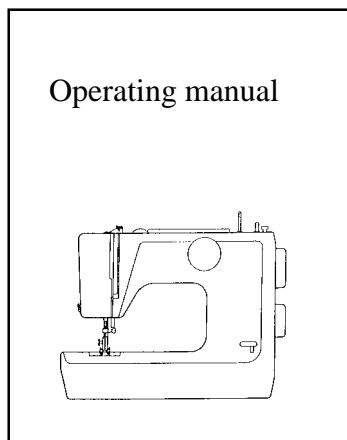


INDEX NO.	REF.NO.	PART NAME
1.	1921028-835	Motor Ass'y (230 V) -290, 280
	1921008-835	Motor Ass'y (230 V) - 270
	1921018-835	Motor Ass'y (120 V) - 290, 280, 270
	1921048-835	Motor Ass'y (240 V) - 290, 280
	1921008-835	Motor Ass'y (240 V) - 270
2.	11900	Set screw for Motor
3.	550008-842	Cushion Rubber
4.	1350008-840	Motor pully
5.	40110	E-Ring
6.	1750008-843	Timing Belt
7.	1921008-110	Lighting set Ass'y (230 V)
	1350018-110	Lighting set Ass'y (120 V)
	1921008-110	Lighting set Ass'y (240 V)
8.	10965	Set screw (230 V)
	10972	Set screw (120 V)
9.	150048-116	Light Bulb (230 V)
	150038-116	Light Bulb (120 V)
	150048-116	Light Bulb (240 V)
10.	1921028-834	Foot controller Ass'y (230 V) -290, 280
	1350118-834	Foot controller Ass'y (230 V)- 270
	1250308-834	Foot controller Ass'y (120 V)- 290, 280, 270
	1921038-834	Foot controller Ass'y (240 V) -290, 280
	1921008-834	Foot controller Ass'y (240 V)- 270
11.	1150008-838	Terminal Box
12.	1150008-846	Terminal Box Holding plate
13.	10949	Set screw
14.	1921008-870	Switch (230 V)
	1921018-870	Switch (120 V)
	1921008-870	Switch (240 V)
15.	950008-848	Cord Binder
	412 5478-01	Adapter



INDEX NO.	REF.NO.	PART NAME
1.	1921003-520	Bobbin
2.	850001-513	Needle plate Driver
3.	1950002-530	Buttonhole sewing Foot - 290
	150022-390	Buttonhole sewing Foot - 280,270
4.	950012-360	Zipper Foot
5.	590001-512	Darning Adapter
6.	401 53 99-01	Buttonhole knife
8.	411 31 04-01	Needle 5 x NM80
10.	150022-484	Plastic Bag -290
	150002-484	Plastic bag - 280, 270
11.	412 28 90-01	Screw Driver (small)
14.	412 28 90-02	Screw Driver (medium)
15.	412 03 70-01	Twin Needle 2,5 mm 2x80
16.	1550002-184-651	Assistsant spool Pin
17.	1920009-112	Dust Cover
18.	150022-357	Overcasting sewing foot - 290
19.	1350002-369	Blind stitch sewing foot - 290
20.	1913001-362	Accessory box

Operating manual



412 5516-05	Operating manual 270 Swe-Fin
412 5516-15	Operating manual 270 Dan-Nor
412 5516-25	Operating manual 270 French-Dutch
412 5516-35	Operating manual 270 Ger- Ita
412 5516-45	Operating manual 270 Eng-Spa
412 5516-56	Operating manual 270 Russian
412 5517-05	Operating manual 280 Swe-Fin
412 5517-15	Operating manual 280 Dan-Nor
412 5517-25	Operating manual 280 French-Dutch
412 5517-35	Operating manual 280 Ger- Ita
412 5517-45	Operating manual 280 Eng-Spa
412 5517-56	Operating manual 280 Russian
412 5518-05	Operating manual 290 Swe-Fin
412 5518-15	Operating manual 290 Dan-Nor
412 5518-25	Operating manual 290 French-Dutch
412 5518-35	Operating manual 290 Ger- Ita
412 5518-45	Operating manual 290 Eng-Spa
412 5518-56	Operating manual 290 Russian

