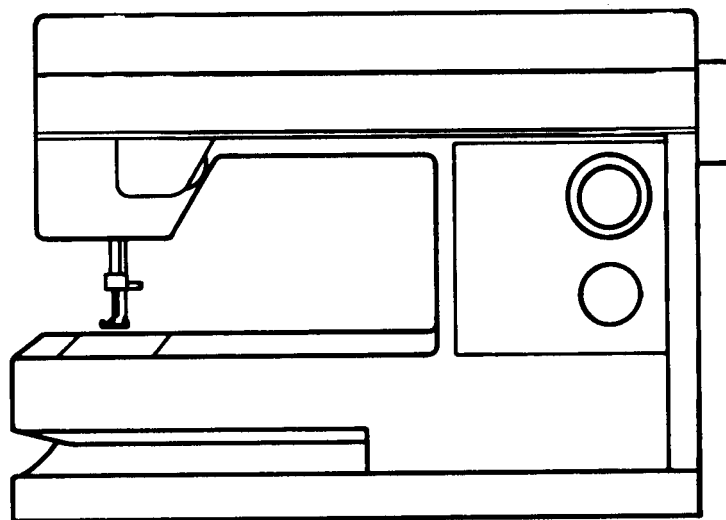


Parts list

Emma



Partnr:	Description	Square	Partnr:	Description	Square
411 72 10-01	Washer	B	412 32 51-02	Dial thread tension	G
412 58 17-02	Needle bar compl.	E	412 32 53-01	Feed adj. link	B
411 82 62-07	Lamp holder stand.	E	412 32 75-01	Sleeve lamp	J
411 82 62-08	Lamp holder USA-Can E		412 32 84-01	Clamp	C,F
411 96 68-09	Screw	E	412 33 67-01	Washer	D
411 96 68-10	Screw	A	412 34 60-01	Stop ring	C
411 96 68-12	Screw	A	412 35 26-01	Washer	C
411 96 68-20	Screw	A	412 35 31-01	Thread tension set	G,J
411 98 14-01	Washer	B	412 35 33-01	Drive wheel compl.	A
411 98 17-01	Washer	D	412 35 42-01	Pulley	C
412 00 13-01	Washer	C	412 36 06-01	Spring	B
			412 36 14-01	Opener throat plate	J
412 01 48-02	Light bulb 100-120V	E	412 36 60-45	PC-board 220-240V	A
412 02 41-01	Spring	E	412 36 60-46	PC-board 100-120V	A
412 02 69-02	Light bulb 220-250V	E	412 36 78-01	Spring	G
412 05 60-01	Screw M5*14	A	412 36 80-01	Locking washer	B
412 05 60-04	ScreAw M3*6	B	412 36 82-06	Lower shaft compl.	C
412 05 60-06	Screw M4*12	A,C,F	412 36 83-02	Arm shaft compl.	F
412 05 60-07	Screw M4*16	G	412 36 84-01	Cog belt	F
412 05 60-09	Screw M4*30	D	412 36 87-01	Pin	F
412 05 60-11	Screw M3*5	C	412 37 11-01	Thread real disc 20 mm	A
412 15 78-01	Cord device, stand.	H	412 37 11-02	Thread real disc 40 mm	A
412 15 79-03	Cord device, USA, Can.	H	412 37 14-01	Lever feed lifter	B
412 15 80-02	Cord device, England	H	412 37 17-02	Screen	A
412 15 81-01	Cord device, Australia	H	412 37 23-02	Index band	A
412 15 98-01	Spring	H	412 37 46-01	Lever, stitch setting	D
412 18 45-01	Foot	H	412 37 47-01	Eccentric	D
412 21 14-03	Screw	E	412 37 47-01	Eccentric	D
412 27 41-01	Sealing washer	E	412 37 48-01	Shaft	D
412 28 19-02	Screw	B,E	412 37 49-02	Dial zig zag	D
412 28 19-03	Screw	E	412 37 52-02	Dial	D
412 28 48-01	Spring	B	412 37 53-02	Knob	D
			412 37 72-06	Sewing head	E
412 28 51-01	Adjusting arm	E	412 37 82-01	Nut	B
412 28 54-01	Presser bar	E	412 38 14-01	Spring	B
412 28 61-01	Lever	D	412 38 16-01	Feed unit compl.	B
412 28 63-01	Draw bar, feed mech.	B	412 39 44-01	Tread take up	E
412 28 64-01	Draw bar	E	412 39 47-01	Washer	C
412 28 66-01	Eccentric	D	412 39 55-01	Frame feed unit	B
412 28 71-01	Shaft, cam set	D	412 39 57-01	Frame carriage feed	B
412 28 72-01	Shaft	D	412 40 51-01	Washer	D
412 28 75-01	Base plate	A	412 41 12-01	Ankel	E
412 28 77-01	Attachment	A			
412 28 79-01	Screw	C	412 42 37-01	Knife	A,C
412 28 81-01	Stitch plate	C	412 43 18-01	Feed dog	B
412 28 82-01	Worm wheel	D	412 43 90-01	Spring	D
412 29 34-01	Motor compl.220-240V	A	412 44 40-02	Hook compl.	C
412 29 34-02	Motor compl.100-120V	A	412 44 44-01	Cog wheel	C
412 29 73-01	Thread guide	A	412 44 73-01	Hub dial	D
412 29 84-01	Slide	D	412 44 74-02	Knob	D
412 29 86-01	Planet wheel	D	412 45 19-17	Back cover printed	A
412 29 87-01	Lifting arm	D	412 45 20-02	Back cover, blank	A
412 29 88-01	Spring	D	412 45 23-01	Knife compl.	A
412 29 89-01	Curve	D	412 45 24-01	Knife holder	A
412 29 93-01	Spring	D	412 45 43-02	Accessory box without tray	J
412 29 94-02	Guide index	D	412 45 45-01	Thread guide	A
412 29 95-01	Spring	D	412 45 86-01	Thread guide	A
412 30 06-01	Driver	F	412 45 88-01	Guide	A
412 30 07-01	Spring	F	412 45 89-01	Hook cover	C
412 30 08-01	Pulley	F	412 45 91-01	Hook cover window	C
412 30 09-02	Hand wheel	F	412 46 27-17	Panel stitches	A
412 30 16-01	Link	F			
412 30 21-01	Locking washer	G	412 46 29-04	Front cover	A
			412 46 30-03	Back cover, lower	A
412 30 24-01	Crank arm	G	412 46 44-01	Screw	C
412 30 26-01	Cog belt	F	412 46 45-01	Screw	C
412 30 30-01	Guide arm	E	412 47 16-01	Tread tension assy.	C
412 30 39-01	Reflector	A	412 47 73-01	Case holder	C
412 30 43-07	Dial panel stitches	A	412 48 09-01	Protector strip.	A
412 30 47-02	Handle	A	412 48 32-23	Front cover compl	A
412 30 50-01	Foot	A	412 48 41-01	Cam set	D
412 30 55-01	Rubber ring	A			
412 30 66-01	Shuttle shaft	C	412 48 42-01	Curve	D
412 30 74-01	Damper	C	412 48 43-01	Curve	D
			412 50 24-02	Cross head compl.	E
412 30 83-01	Frame, sewing head	E	412 51 09-07	Pattern mechanism	D
412 30 91-04	Regulating dial	E	412 51 63-02	Worm gear	C
412 30 96-02	Presser bar lever	E	412 55 01-01	Bobbin case	C
412 30 97-03	Presser bar lifter	E	412 56 15-45	Plastic bobbins (10-pac)	C,J
412 31 04-01	Guide compl.	B	412 56 85-01	Dust cover	C
412 31 06-01	Spring	B	412 56 86-01	Adjusting washer	C
412 31 23-01	Isulation (male)	A	412 58 25-01	Screw, needle clamp	E
412 31 24-01	Isulation (female)	A			
412 31 25-01	Nut	A	412 60 48-10	Nameplate to Lidcover	A
412 31 41-02	Foot control compl.	H	412 62 18-01	Covers to foot control	H
			412 62 94-01	Hinge spring	A
412 31 44-01	Cable	H	412 65 21-01	Hinge	A
412 31 44-02	Cable	H	412 68 56-01	Eccentric feed	C
412 31 48-01	Spring	B	412 76 57-01	Lid Cover	A
412 31 50-01	Stud	D	412 77 64-01	Plastic bag with access	J
412 31 54-06	Base plate	A	721 41 87-70	Pin	C,F
412 31 60-41	Shaft, sewing frame	E	721 42 10-10	Pin	C
412 31 69-01	Spring	D	723 12 19-01	Screw M3*5	E
412 31 79-01	Clutch	F	725 62 91-01	Screw M4*12	E
412 31 81-01	Clamp, lower shaft	C	728 52 18-05	Screw	E
412 31 84-01	Bushing, feed dog	B	728 52 85-05	Screw M4*6	E
412 31 89-01	Control unit	H	728 52 87-05	Screw M4*8	E
412 31 97-01	Belt stretcher	A	728 52 91-01	Screw M4*12	B,D
412 32 03-01	Screw	D	728 53 20-05	Screw M5*5	F
412 32 15-01	Lever feed lower	B	728 53 23-05	Screw M5*8	D
412 32 27-01	Bobbin winding	A	728 58 01-05	Screw M5*4	C
412 32 31-02	Lever,slide	D	728 73 20-01	Screw	F
412 32 35-02	Reel pin	A	728 73 64-05	Screw 6*10 mm	A
412 32 43-02	Thread reel pin	J	728 82 83-05	Screw	C,F
412 32 45-03	Thread tension device	G	731 23 10-01	Nut M3	D
412 32 47-01	Lever thread tension	G	731 23 12-01	Nut M4	D
412 32 49-01	Screw thread tension	G	732 21 12-01	Nut M4	D
412 32 50-01	Spring holder	G			

<u>Partnr:</u>	<u>Description</u>	<u>Square</u>
734 11 45-71	Washer	B
735 31 08-20	C-washer	C
735 31 10-20	C-washer	D
735 58 52-01	Locking washer	D
735 58 55-00	Washer	F
735 61 24-40	Compression ring 3mm	B,G
735 61 36-40	Compression ring 4mm	D,E
735 61 46-40	Compression ring 5mm	D
735 61 53-40	Compression ring 6mm	E

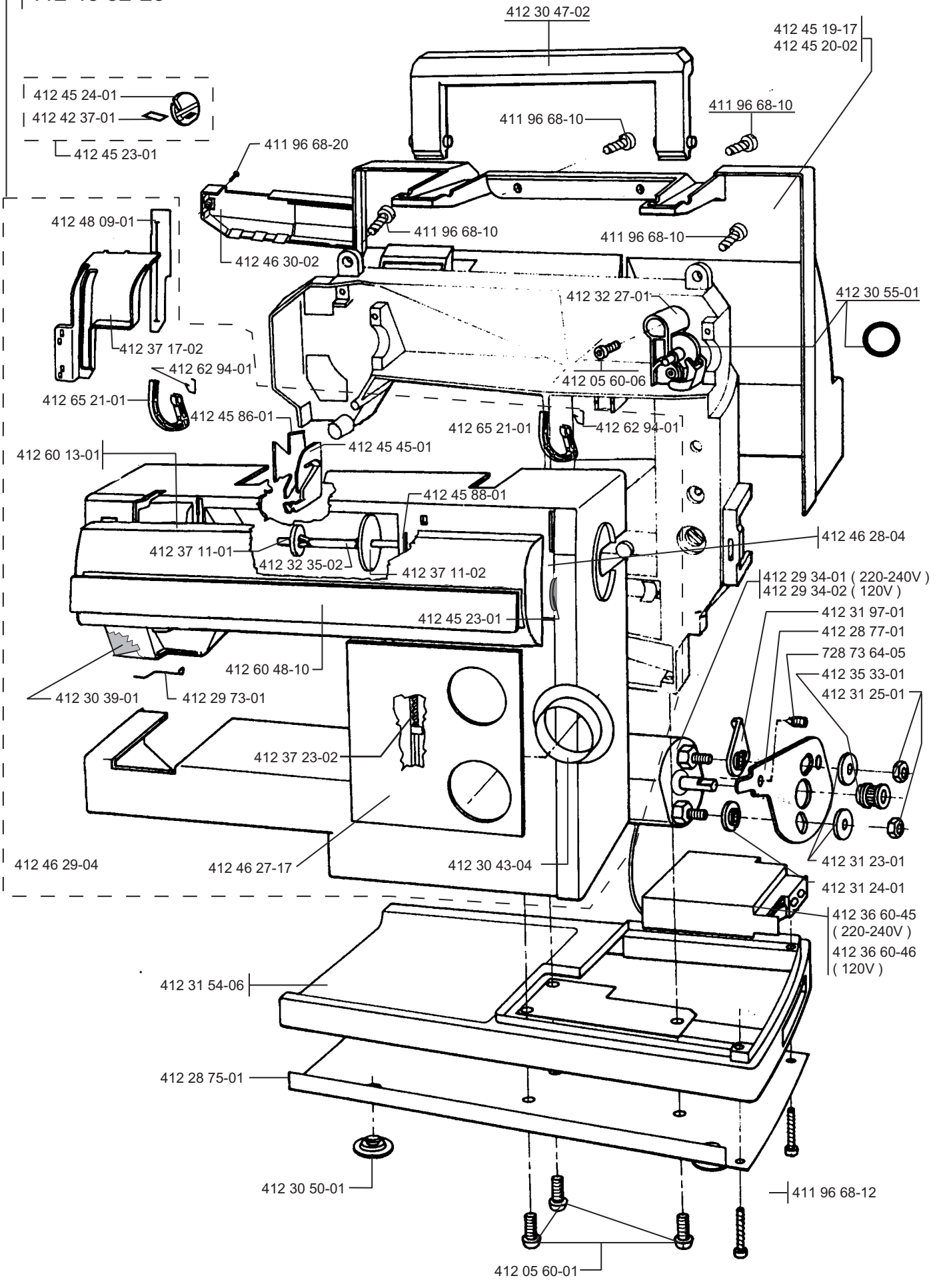
ACCESSORIES

401 53 99-01	Buttonhole knife	J
401 55 55-01	Brush	J
411 17 32-01	Button reed	J
412 01 76-01	Hemmer 10 mm	J
412 61 76-01	Presser foot "A"	J
412 38 01-01	Presser foot "B"	J
412 38 02-01	Buttonhole foot "C"	J
412 38 04-01	Blind stitch foot "D"	J
412 38 05-01	Zipper foot "E"	J
412 38 06-01	Edging foot "J"	J
412 38 15-01	Screw driver medium	J
412 34 73-01	Gathering foot	J

OPERATING MANUALS

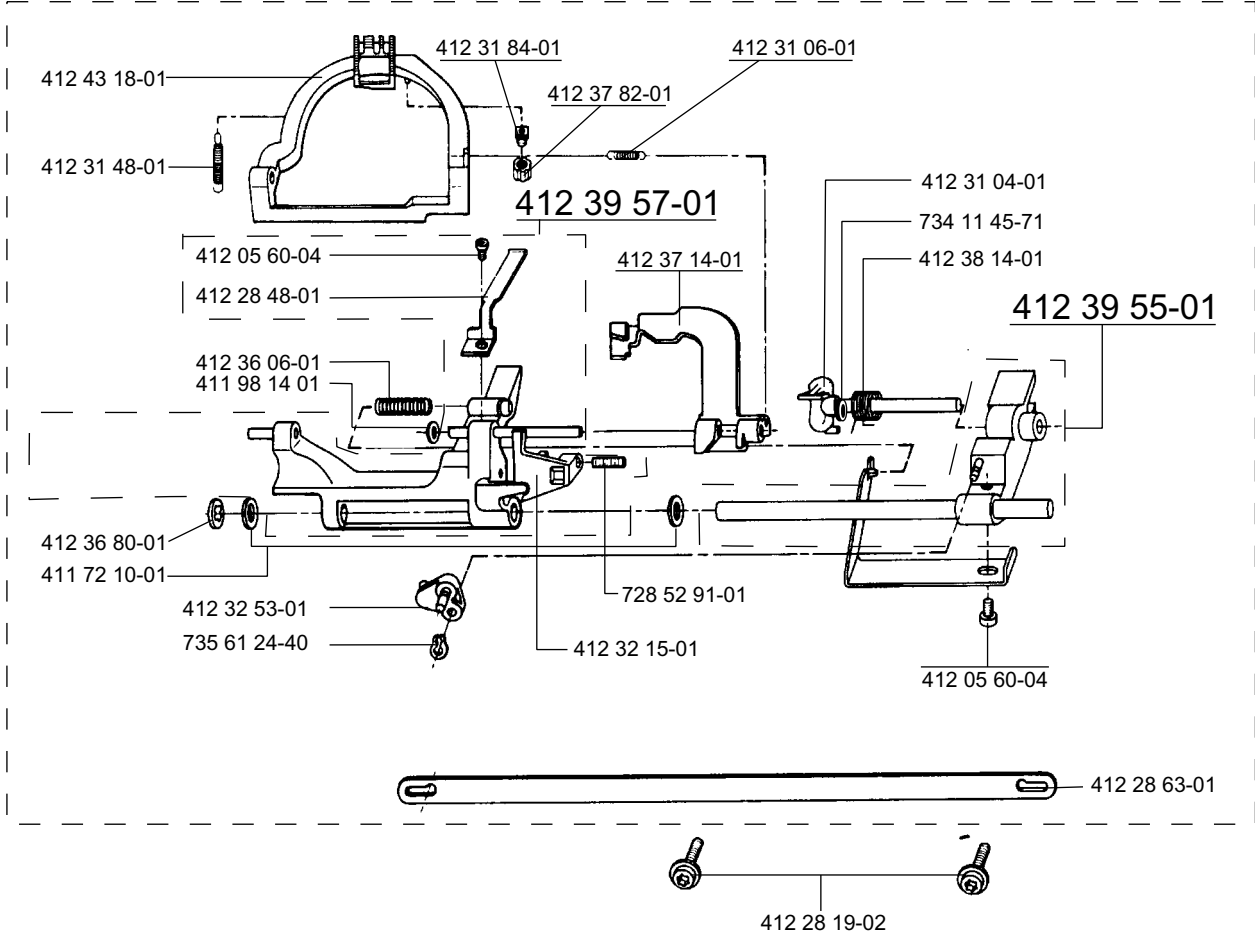
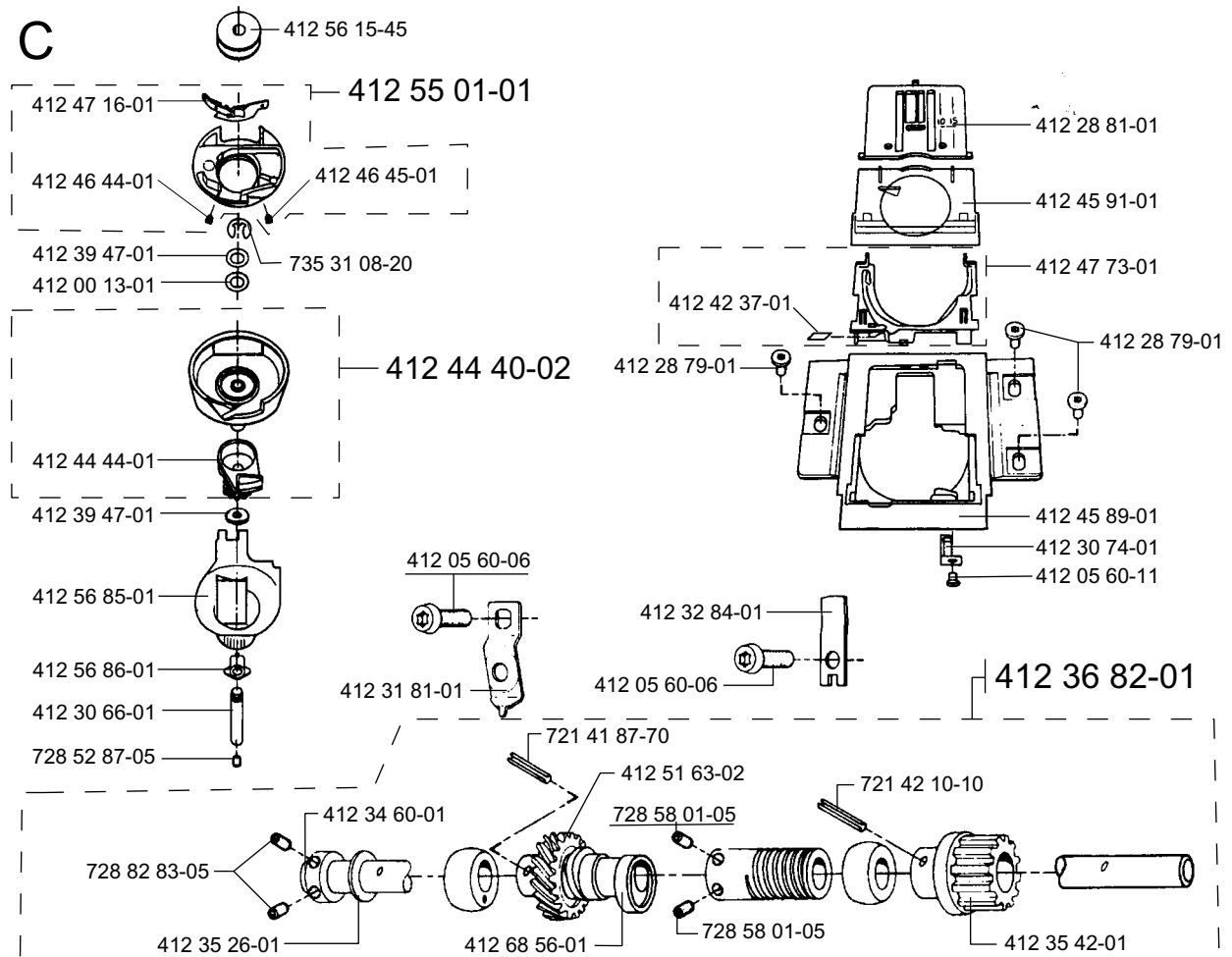
412 77 78-01	Operating manual Sve	J
412 77 78-06	Operating manual Den	J
412 77 78-11	Operating manual Fin	J
412 77 78-21	Operating manual Nor	J
412 77 78-26	Operating manual Eng	J
412 77 78-31	Operating manual Fra	J
412 77 78-36	Operating manual Holl	J
412 77 78-41	Operating manual Ita	J
412 77 78-46	Operating manual Spa	J
412 77 78-51	Operating manual Ger	J
412 77 78-56	Operating manual Russ	J

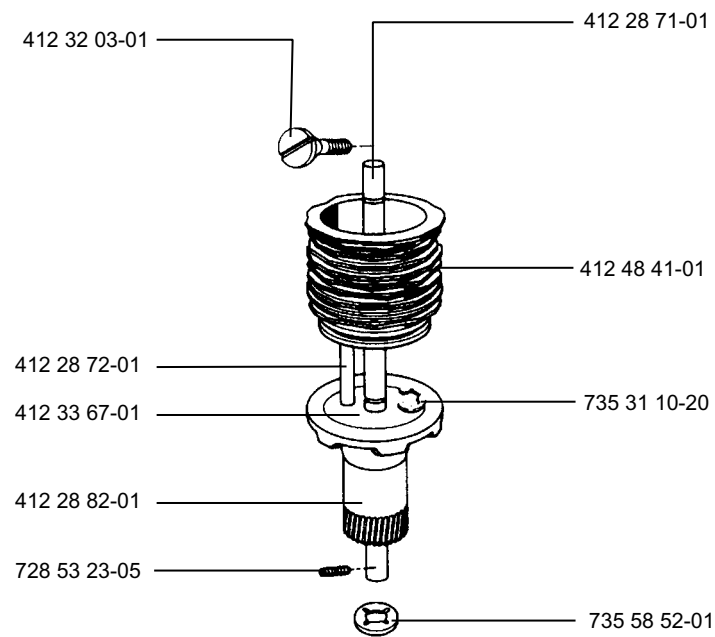
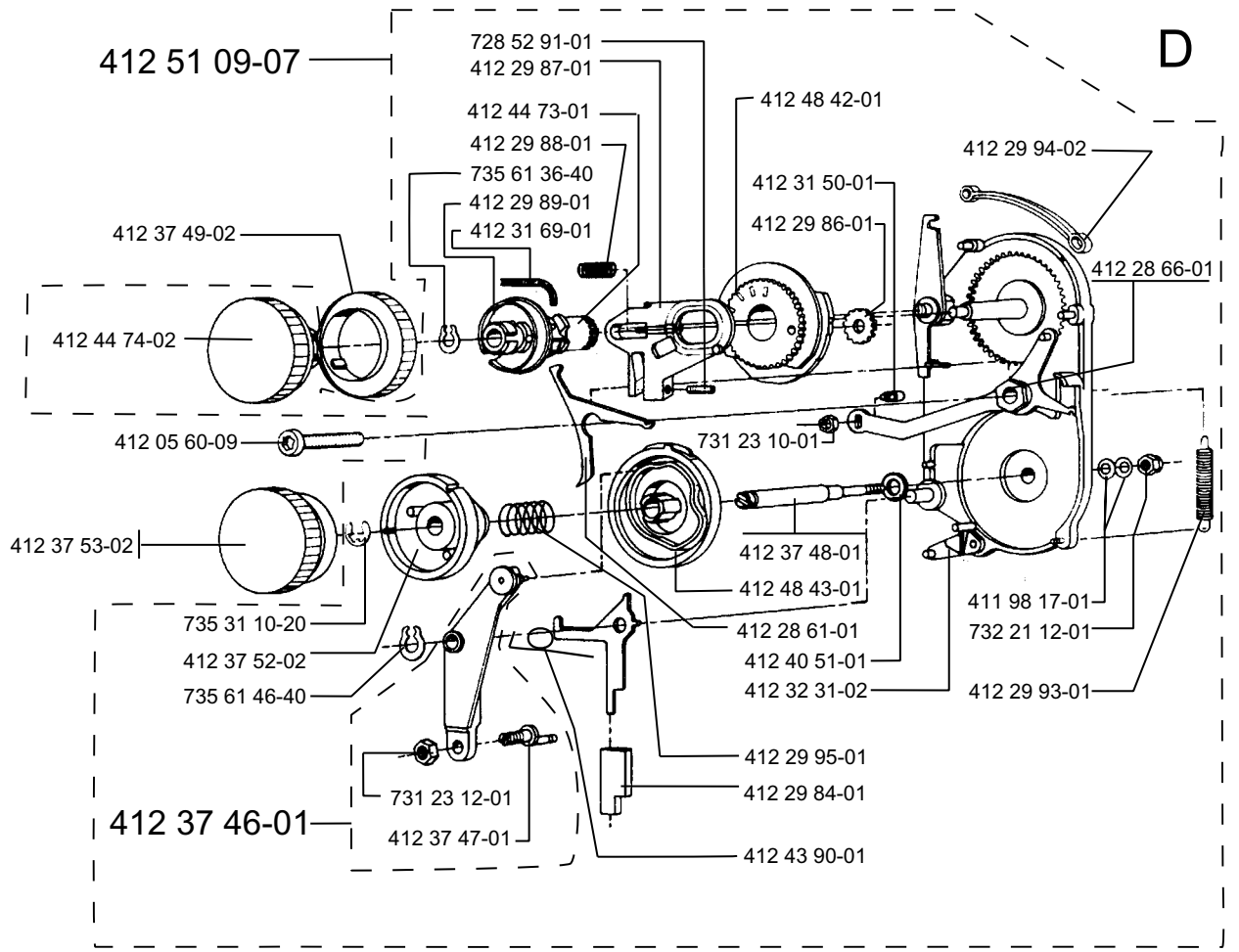
412 48 32-23



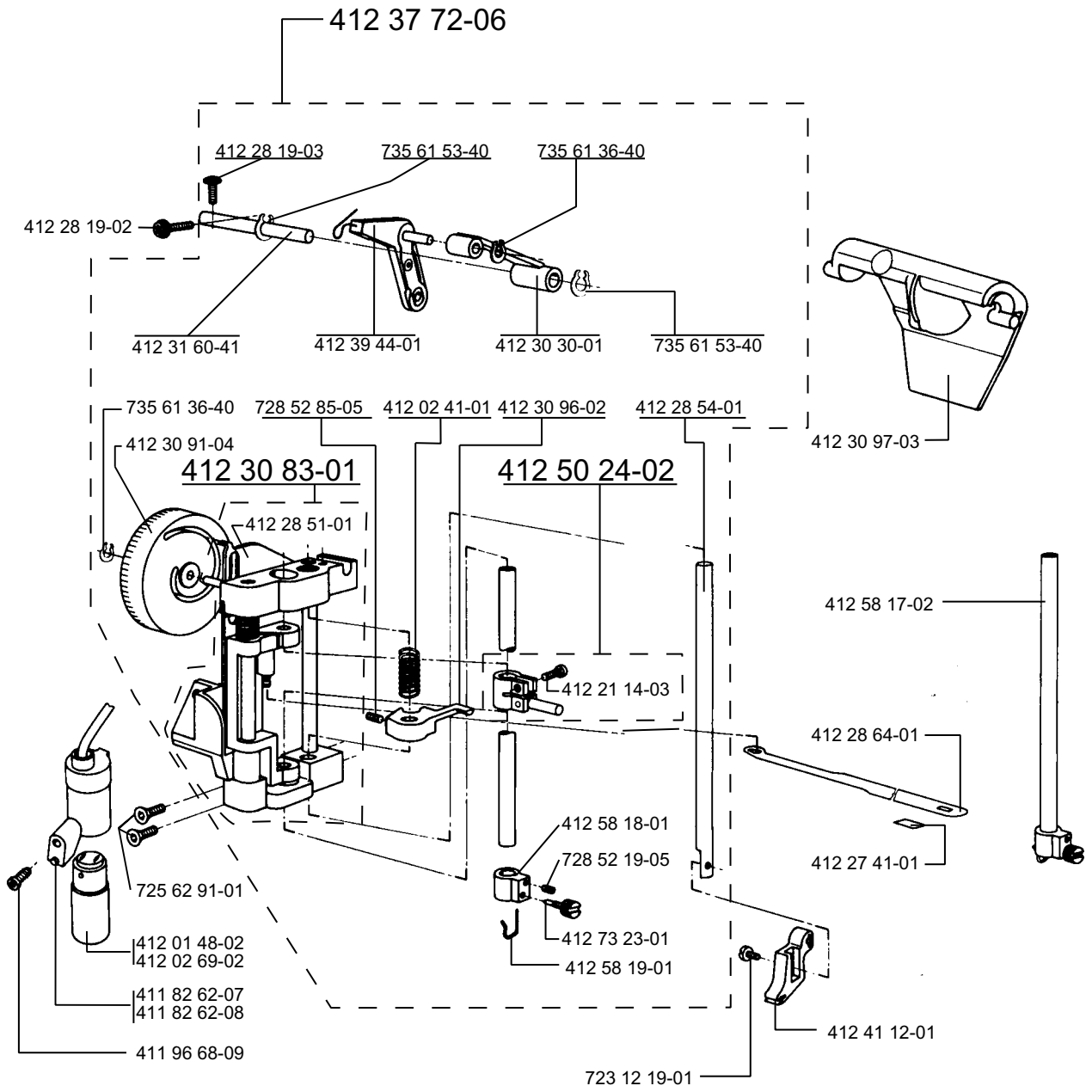
B

412 38 16-01

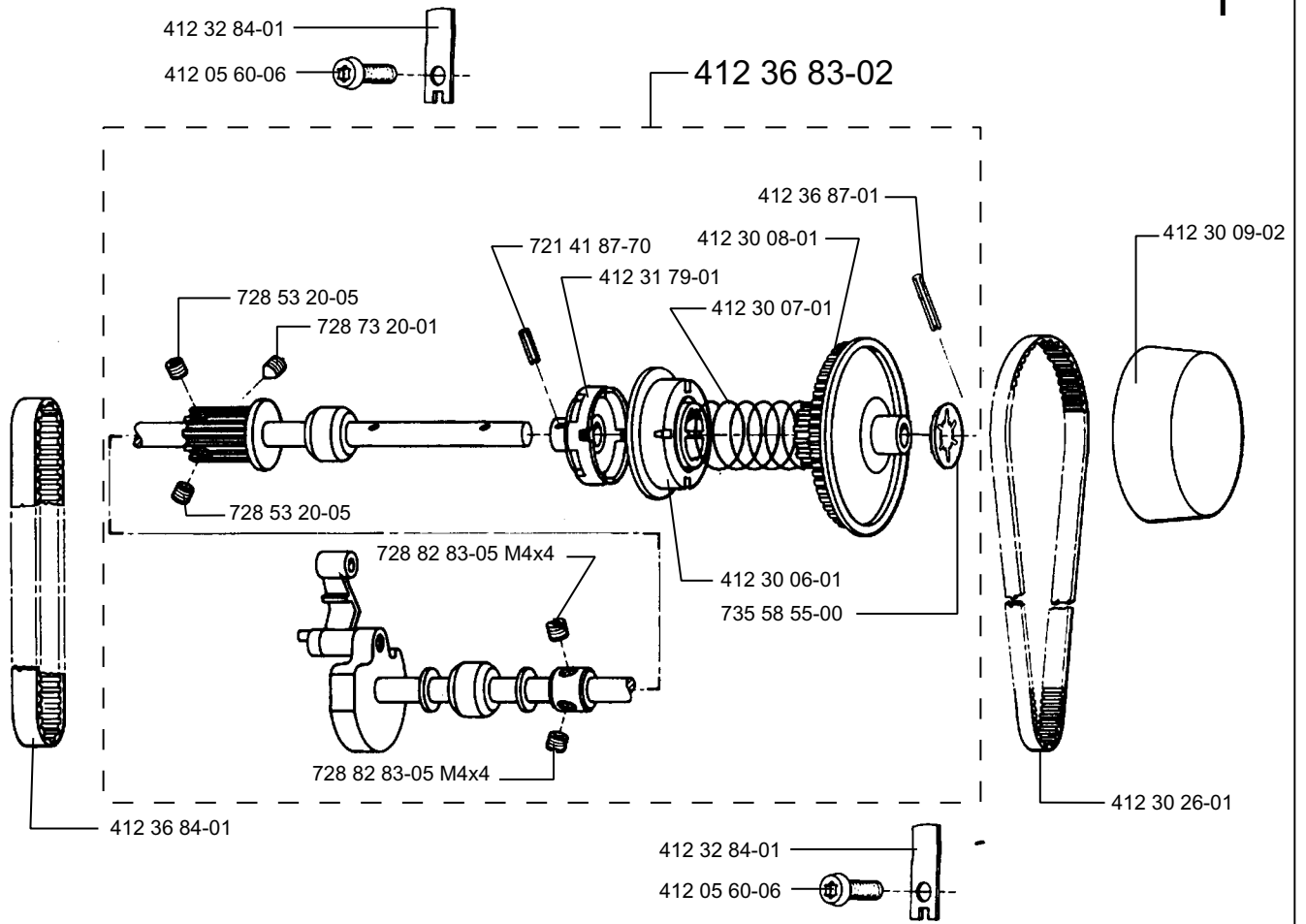
**C**



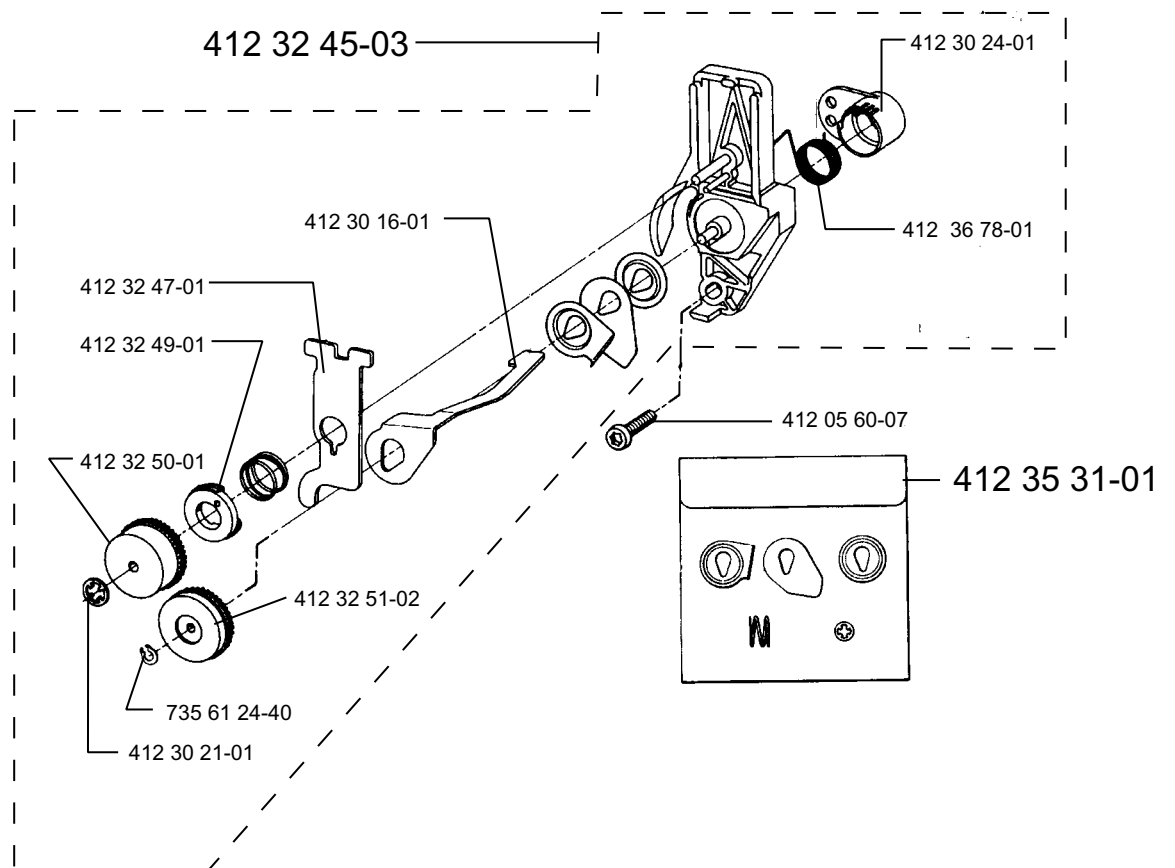
E



F

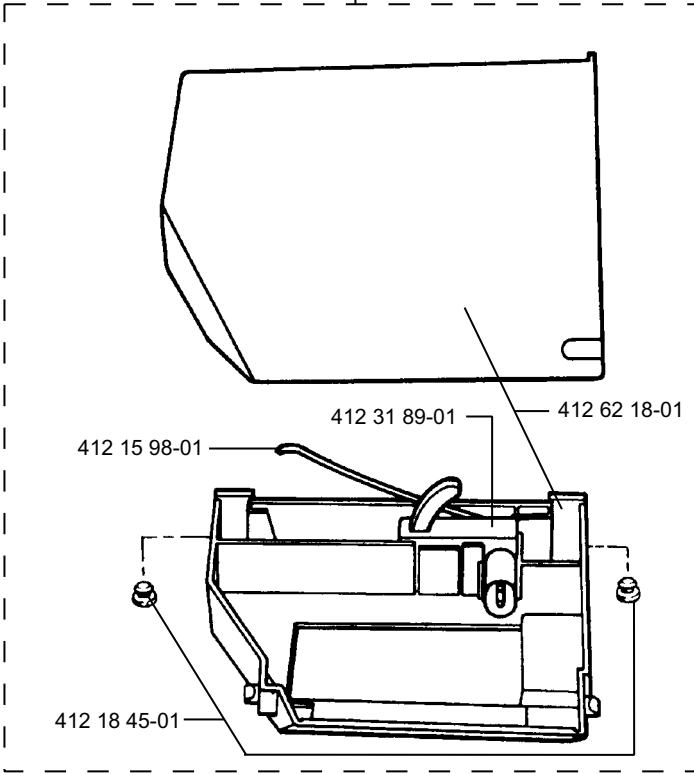


G



H

412 31 41-02



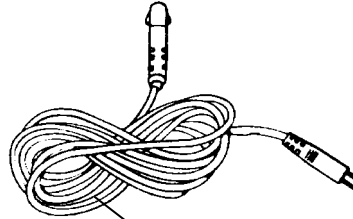
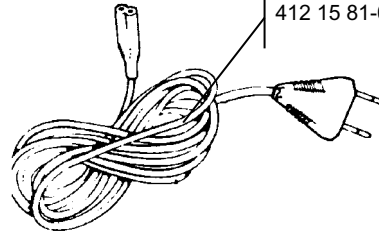
412 15 98-01

412 31 89-01

412 62 18-01

412 18 45-01

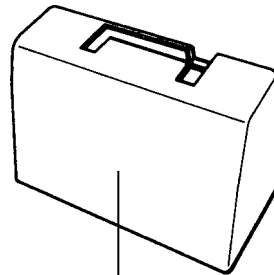
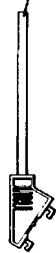
412 15 78-01 220V
 412 15 79-03 120V
 412 15 80-02 UK
 412 15 81-01 Australia



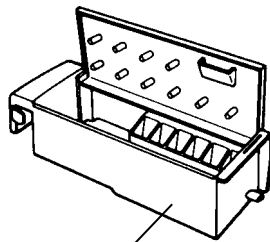
412 31 44-01 STD
 412 31 44-02 USA / CAN

J

412 32 43-02



412



412 45 43-02



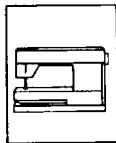
412 32 75-01



412 36 14-01

OPERATING MANUALS

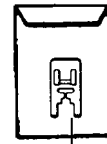
- 412 77 78-01 SWE
- 412 77 78-06 DEN
- 412 77 78-11 FIN
- 412 77 78-21 NOR
- 412 77 78-26 ENG
- 412 77 78-31 FRA
- 412 77 78-36 HOLL
- 412 77 78-41 ITA
- 412 77 78-46 SPA
- 412 77 78-51 GER
- 412 77 78-56 RUSS



ACCESSORIES



412 35 31-01
 Thread tension
 set



412 77 64-01
 Plastic bag
 with access.



412 56 15-45
 Plastic bobbins
 10 pac