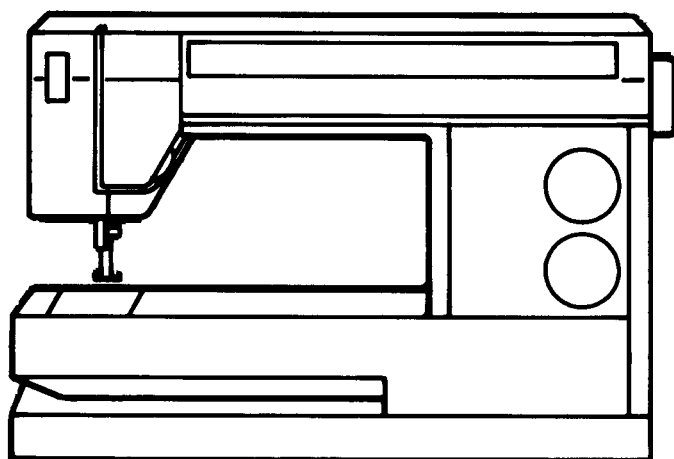


***Spare parts***  
***Ersatzteile***  
***Pièces détachées***  
***Reservdelar***



**210**

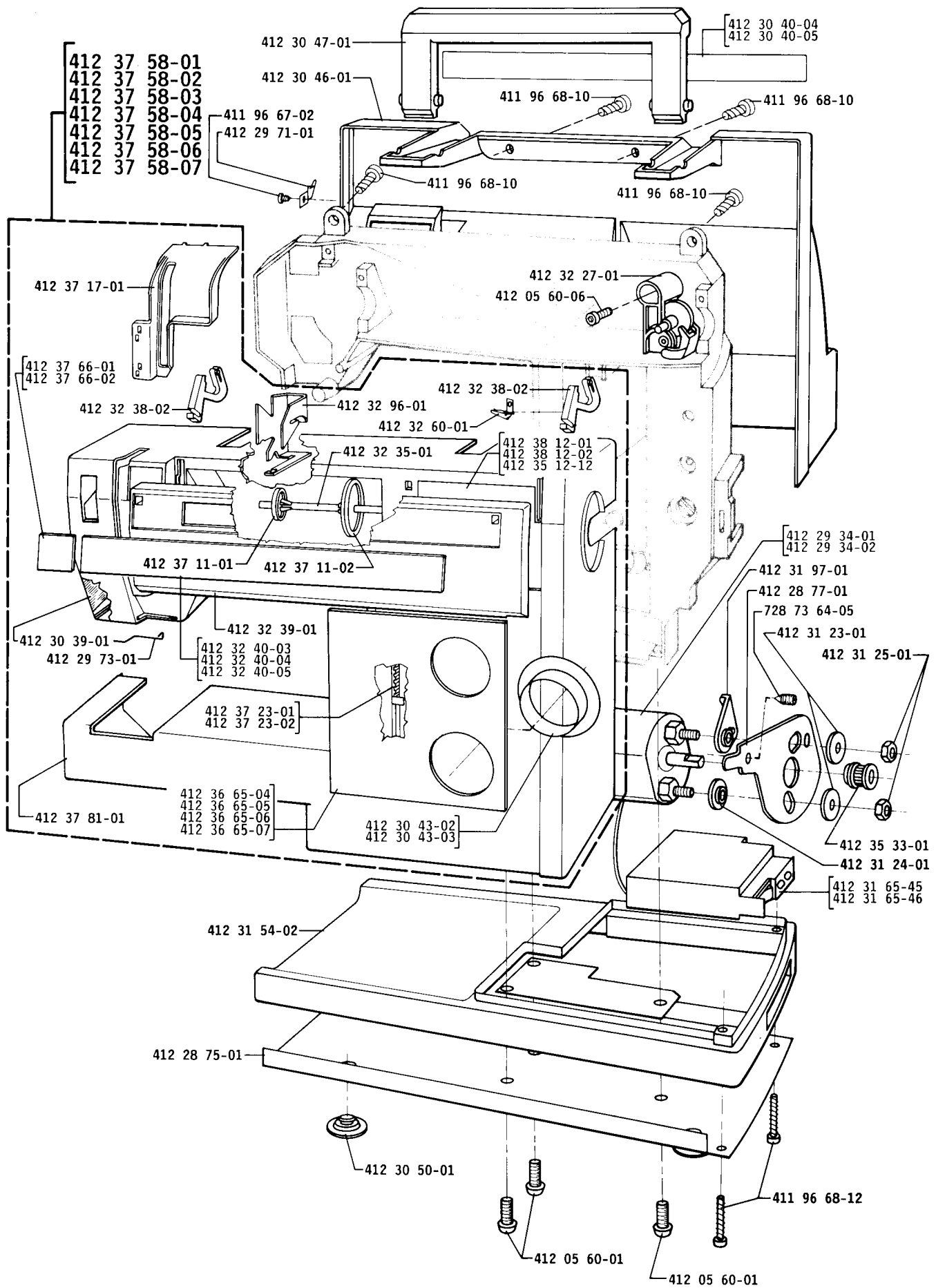
**230**

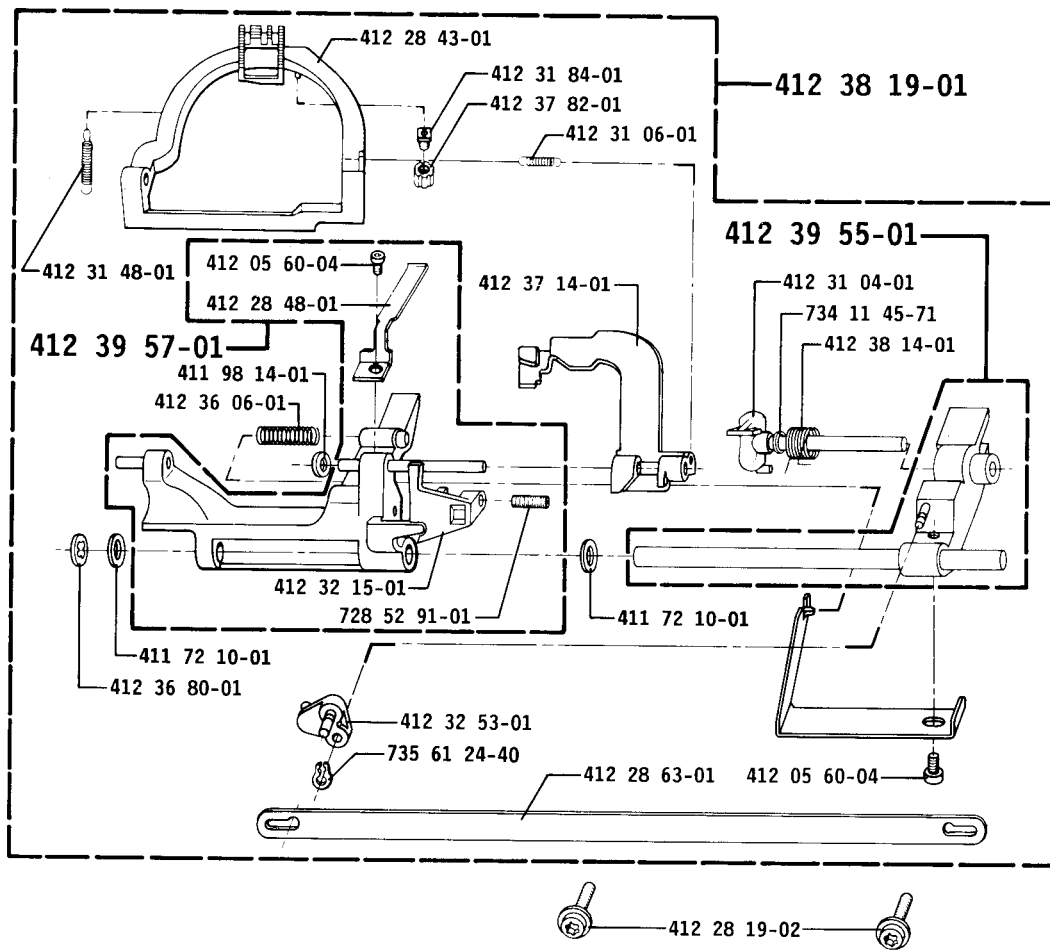
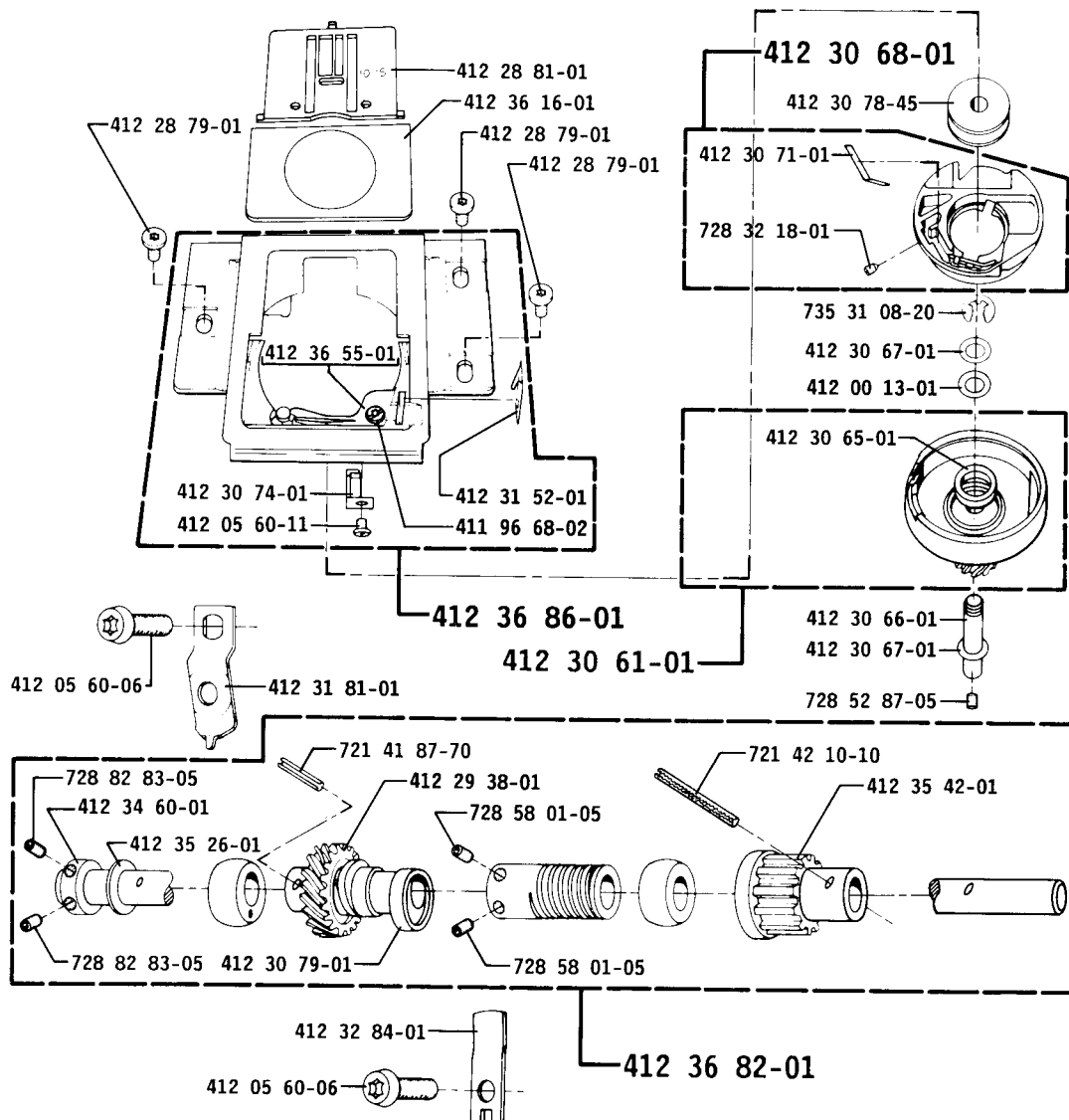
**250**

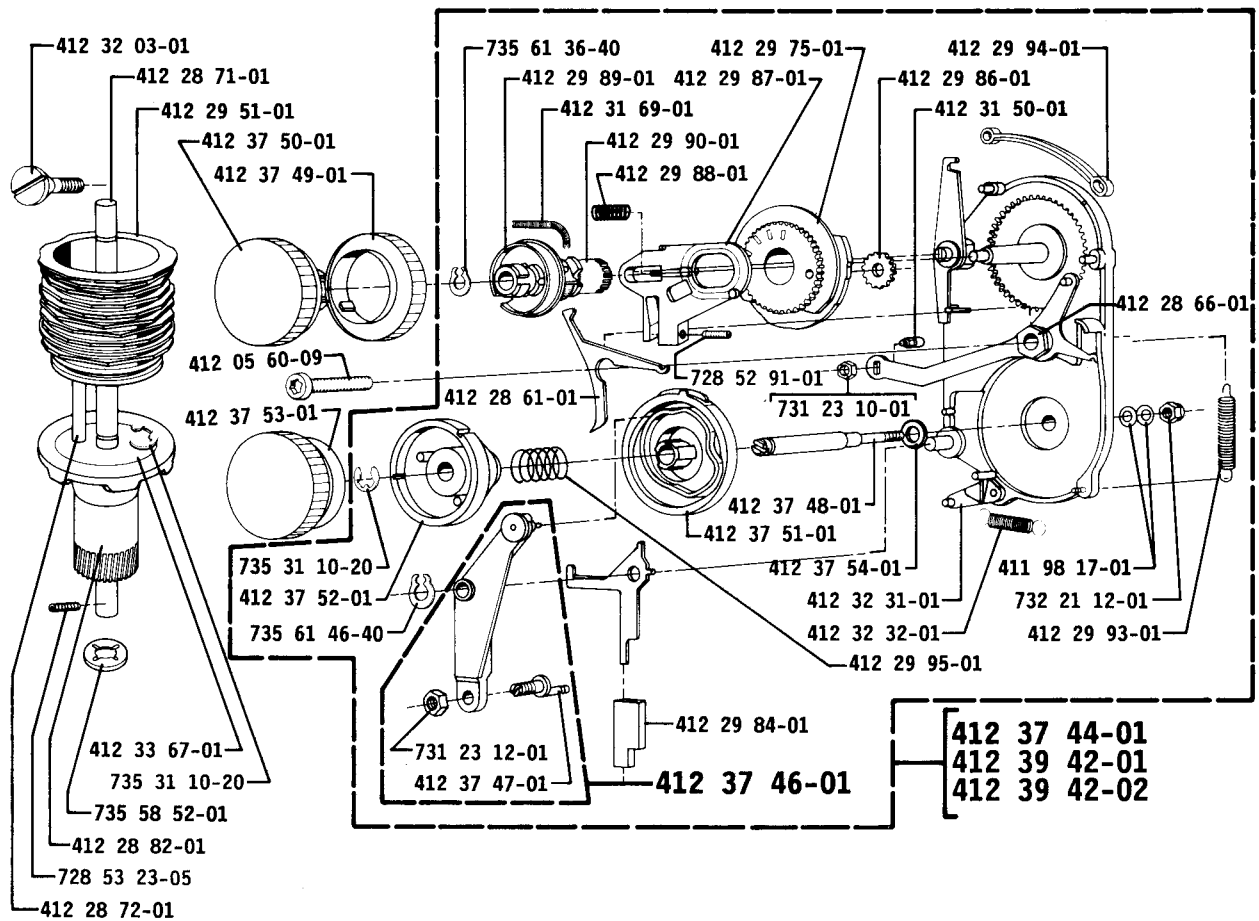
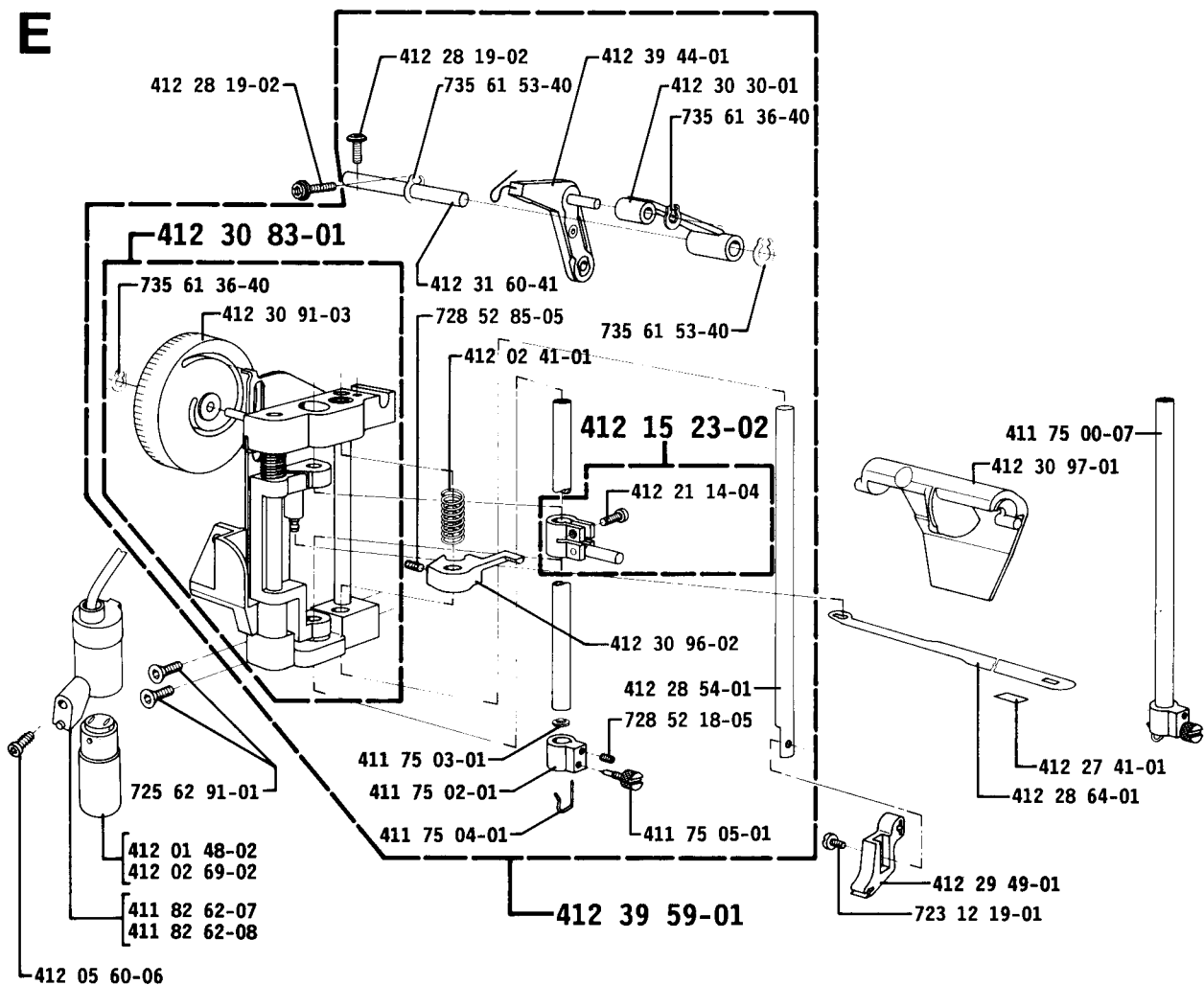
Part no.	Description	Square	Part no.	Description	Square
411 72 10-01	Washer	B	412 30 79-01	Eccentric feed	C
411 75 00-07	Needle bar compl.	E	412 30 83-01	Frame, sewing head	E
411 75 02-01	Needle clamp	E	412 30 91-03	Regulating dial	E
411 75 03-01	Stop needle clamp	E	412 30 96-02	Presser bar dial	E
411 75 04-01	Thread guide	E	412 30 97-01	Presser bar lifter	E
411 75 05-01	Screw needle clamp	E	412 31 04-01	Guide compl.	B
411 82 62-07	Lamp holder stand.	E	412 31 06-01	Spring	B
411 82 62-08	Lamp holder USA-Can	E	412 31 17-01	Accessory box	J
411 96 67-02	Screw	A	412 31 20-01	Extension table	J
411 96 68-02	Screw	C	412 31 23-01	Isulation (male)	A
411 96 68-10	Screw	A	412 31 24-01	Isulation (female)	A
411 96 68-12	Screw	A	412 31 25-01	Nut	A
411 98 14-01	Washer	B	412 31 33-02	Plastic bag with access.	J
411 98 17-01	Washer	D	412 31 34-01	Soft-cover	J
412 00 13-01	Washer	C	412 31 41-01	Foot control compl.	H
412 01 48-02	Light bulb 100-120 V	E	412 31 44-01	Cable	H
412 02 41-01	Spring	E	412 31 44-02	Cable	H
412 02 69-02	Light bulb 220-250 V	E	412 31 48-01	Spring	B
412 05 60-01	Screw M5*14	A	412 31 50-01	Stud	D
412 05 60-04	Screw M3*6	B	412 31 52-01	Thread knife	C
412 05 60-06	Screw M4*12	A,C,E,F	412 31 54-02	Base plate	A
412 05 60-07	Screw M4*16	G	412 31 60-41	Shaft, sewing frame	E
412 05 60-09	Screw M4*30	D	412 31 65-45	PC-board 220-240 V	A
412 05 60-11	Screw M3*5	C	412 31 65-46	PC-board 100-120 V	A
412 15 23-02	Cross head compl.	E	412 31 69-01	Spring	D
412 15 78-01	Cord device, stand.	H	412 31 79-01	Clutch	F
412 15 79-01	Cord device, USA, Can.	H	412 31 81-01	Clamp, lower shaft	C
412 15 80-02	Cord device, England	H	412 31 84-01	Bushing, feed dog	B
412 15 81-01	Cord device, Australia	H	412 31 89-01	Control unit	H
412 15 98-01	Spring	H	412 31 97-01	Belt stretcher	A
412 18 45-01	Foot	H	412 32 03-01	Screw	D
412 21 14-04	Screw M3*10	E	412 32 15-01	Lever feed lower	B
412 27 41-01	Sealing washer	E	412 32 27-01	Bobbin winding	A
412 28 19-02	Screw	B,E	412 32 31-01	Lever, slide	D
412 28 43-01	Feed dog	B	412 32 32-01	Spring	D
412 28 48-01	Spring	B	412 32 35-01	Reel pin	A
412 28 54-01	Presser bar	E	412 32 38-02	Hinge	A
412 28 61-01	Lever	D	412 32 39-01	Cover	A
412 28 63-01	Draw bar, feed mech.	B	412 32 40-03	Window, cover LUX	A
412 28 64-01	Draw bar	E	412 32 40-04	Window, cover HVA	A
412 28 66-01	Eccentric	D	412 32 40-05	Window, cover Viking	A
412 28 71-01	Shaft, cam set	D	412 32 43-01	Thread reel pin	J
412 28 72-01	Shaft	D	412 32 45-01	Thread tension device	G
412 28 75-01	Base plate	A	412 32 47-01	Lever thread tension	G
412 28 77-01	Attachment	A	412 32 49-01	Screw thread tension	G
412 28 79-01	Screw	C	412 32 50-01	Spring holder	G
412 28 81-01	Throat plate	C	412 32 51-01	Control thread tension	G
412 28 82-01	Worm wheel	D	412 32 53-01	Feed adj. link	B
412 29 34-01	Motor compl.220-240 V	A	412 32 60-01	Thread knife	A
412 29 34-02	Motor compl.100-120 V	A	412 32 84-01	Clamp	C,F
412 29 38-01	Worm gear	C	412 32 96-01	Thread guide	A
412 29 49-01	Holder	E	412 33 67-01	Washer	D
412 29 51-01	Cam set	D	412 34 42-01	Hard cover	J
412 29 71-01	Thread knife	A	412 34 60-01	Stop ring	C
412 29 73-01	Thread guide	A	412 35 12-12	Name plate 230	A
412 29 75-01	Curve	D	412 35 26-01	Washer	C
412 29 84-01	Slide	D	412 35 31-01	Thread tension set	G
412 29 86-01	Planet wheel	D	412 35 33-01	Drive Wheel compl.	A
412 29 87-01	Lifting arm	D	412 35 42-01	Pulley	C
412 29 88-01	Spring	D	412 36 06-01	Spring	B
412 29 89-01	Curve	D	412 36 16-01	Hook cover, window	C
412 29 90-01	Hub, dial	D	412 36 55-01	Bobbin case stop	C
412 29 93-01	Spring	D	412 36 65-04	Panel stitches LUX	A
412 29 94-01	Guide index	D	412 36 65-05	Panel stitches HVA 250	A
412 29 95-01	Spring	D	412 36 65-06	Panel stitches HVA 230	A
412 30 06-01	Driver	F	412 36 65-07	Panel stitches HVA 210	A
412 30 07-01	Spring	F	412 36 78-01	Spring	G
412 30 08-01	Pulley	F	412 36 80-01	Locking washer	B
412 30 09-01	Hand wheel	F	412 36 82-01	Lower shaft compl.	C
412 30 16-01	Link	G	412 36 83-01	Arm shaft compl.	F
412 30 21-01	Locking washer	G	412 36 84-01	Cog belt	F
412 30 24-01	Crank arm	G	412 36 86-01	Hook cover compl.	C
412 30 26-01	Cog belt	F	412 36 87-01	Pin	F
412 30 30-01	Guide arm	E	412 37 11-01	Thread real disc 20 mm	A
412 30 39-01	Reflector	A	412 37 11-02	Thread real disc 40 mm	A
412 30 43-02	Panel stitch length HVA	A	412 37 14-01	Lever feed lifter	B
412 30 43-03	Panel stitch length LUX	A	412 37 17-01	Screen	A
412 30 46-01	Back cover	A	412 37 23-01	Index band	A
412 30 47-01	Handle	A	412 37 23-02	Index band	A
412 30 48-04	Name plate LUX	A	412 37 44-01	Pattern stitches 250	D
412 30 48-05	Name plate HVA	A	412 37 46-01	Lever, stitch setting	D
412 30 50-01	Foot	A	412 37 47-01	Eccentric	D
412 30 61-01	Hook	C	412 37 48-01	Shaft	D
412 30 65-01	Magnet	C	412 37 49-01	Dial zig zag	D
412 30 66-01	Shuttle shaft	C	412 37 50-01	Knob	D
412 30 67-01	Washer	C	412 37 51-01	Curve	D
412 30 68-01	Bobbin case compl.	C	412 37 52-01	Dial	D
412 30 71-01	Thread tension spring	C	412 37 53-01	Knob	D
412 30 74-01	Damper	C	412 37 54-01	Washer	D
412 30 78-45	Plastic bobbins (10-pac)	C,J	412 37 58-01	Front cover HVA 250	A

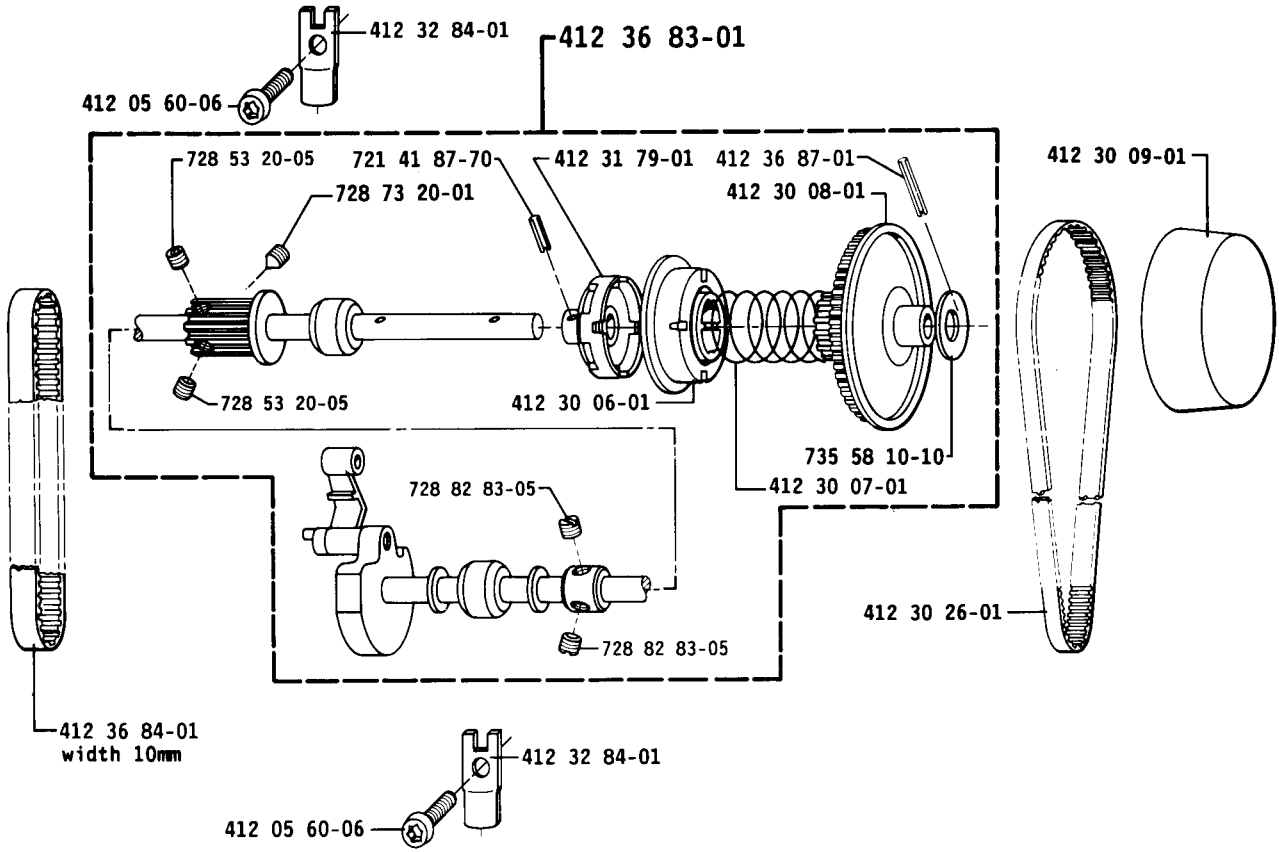
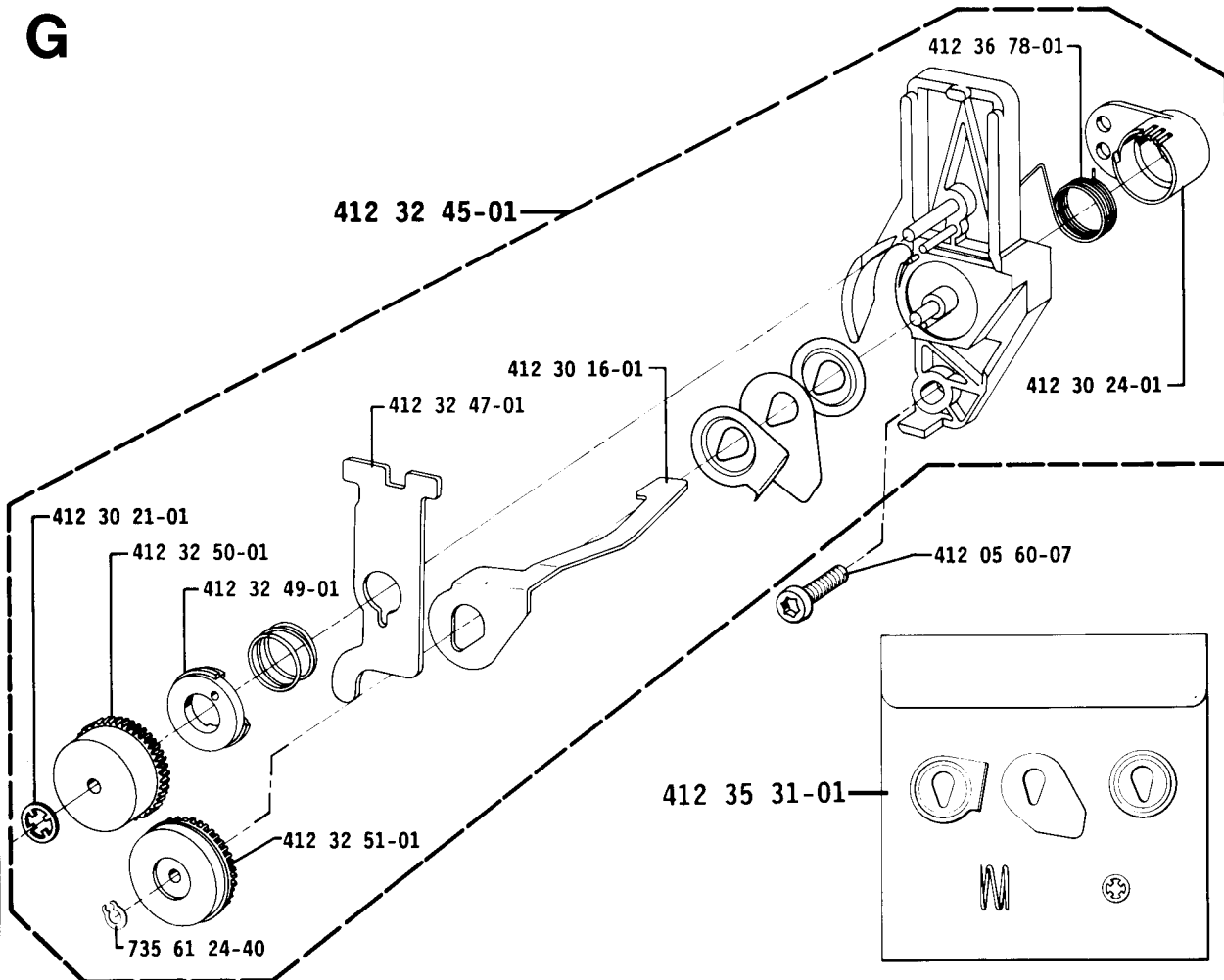
Part no.	Description	Square	
4123758-02	Front cover Viking 250	A	
4123758-03	Front cover HVA 230	A	
4123758-04	Front cover Viking 230	A	
4123758-05	Front cover HVA 210	A	
4123758-06	Front cover Viking 210	A	
4123758-07	Front cover LUX	A	
4123766-01	Panel HVA	A	
4123766-02	Panel LUX	A	
4123781-01	Front panel	A	
4123782-01	Nut	B	
4123812-01	Guide HVA 250	A	
4123812-02	Guide LUX	A	
4123814-01	Spring	B	B
4123816-01	Feed unit compl.	B	
4123942-01	Pattern mechanism 230	D	
4123942-02	Pattern mechanism 210	D	
4123944-01	Tread take up	E	
4123955-01	Frame feed unit	B	
4123957-01	Frame carriage feed	B	
4123959-01	Sewing head compl.	E	
7214187-70	Pin	C,F	
7214210-10	Pin	C	
7231219-01	Screw M3*5	E	
7256291-01	Screw M4*12	E	
7283218-01	Screw M3*4	C	
7285218-05	Screw	E	
7285285-05	Screw M4*6	E	
7285287-05	Screw M4*8	C	
7285291-01	Screw M4*12	B,D	
7285320-05	Screw M5*5	F	
7285323-01	Screw M5*8	D	
7285801-05	Screw M5*4	C	
7287320-01	Screw	F	
7287364-05	Screw 6*10 mm	A	
7288283-05	Screw M4*5	C,F	
7312310-01	Nut M3	D	
7312312-01	Nut M4	D	
7322112-01	Nut M4	D	
7341145-71	Washer	B	
7353108-20	C-washer	C	
7353110-20	C-washer	D	
7355810-10	Washer	F	
7355852-01	Locking washer	D	
7356124-40	Compression ring 3mm	B,G	
7356136-40	Compression ring 4mm	D,E	
7356146-40	Compression ring 5mm	D	
7356153-40	Compression ring 6mm	E	
<b>ACCESSORIES</b>			
4015399-01	Buttonhole knife	J	
4015555-01	Brush	J	
4111732-01	Button reed	J	
4120176-01	Hemmer 10 mm	J	
4122948-01	Presser foot "A"	J	
4123140-01	Blind stitch foot "D"	J	
4123200-01	Presser foot "B"	J	
4123225-01	Buttonhole foot "C"	J	
4123226-01	Zipper foot "E"	J	
4123275-01	Sleeve lamp	J	
4123815-01	Screw driver medium	J	
4123283-01	Edging foot "J"	J	
4123466-45	Glider plates	J	
4123471-01	Holder	J	
4123473-01	Gathering foot	J	
4123614-01	Opener throat plate	J	
4123761-05	Operating man. Swe/Fin	J	
4123761-15	Operating man. Dan/Nor	J	
4123761-25	Operating man. Fra/Dutch	J	
4123761-35	Operating man. Ger/Ita	J	
4123761-45	Operating man. Eng/Spa	J	
4123761-56	Operating man. Russian	J	

A

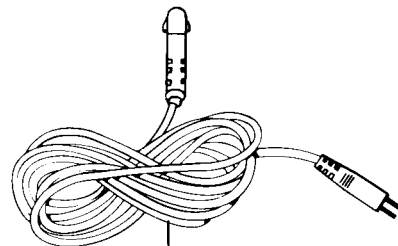
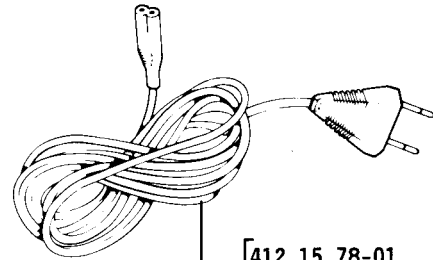
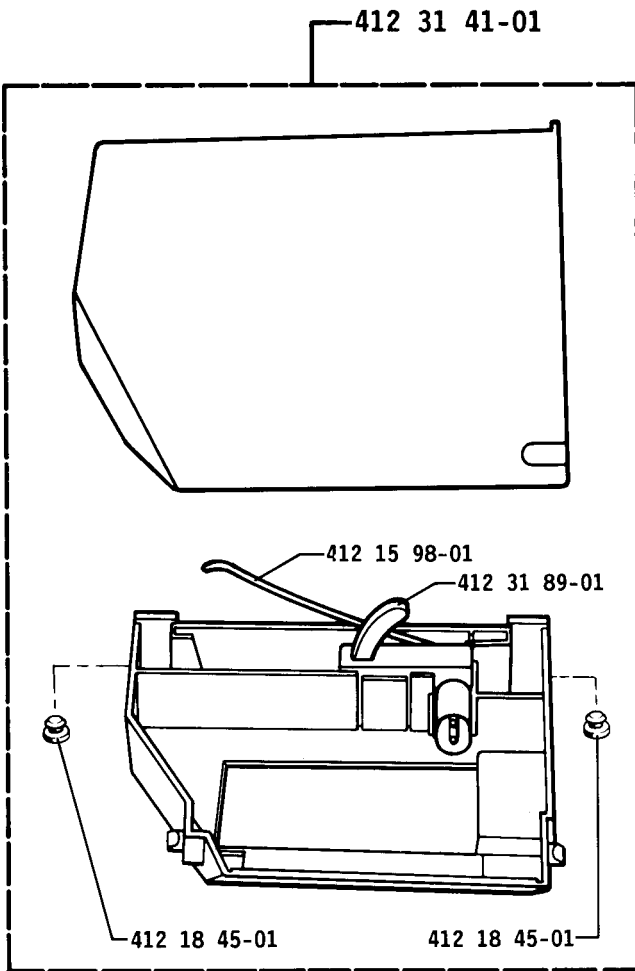


**B****C**

**D****E**

**F****G**

# H



# J

