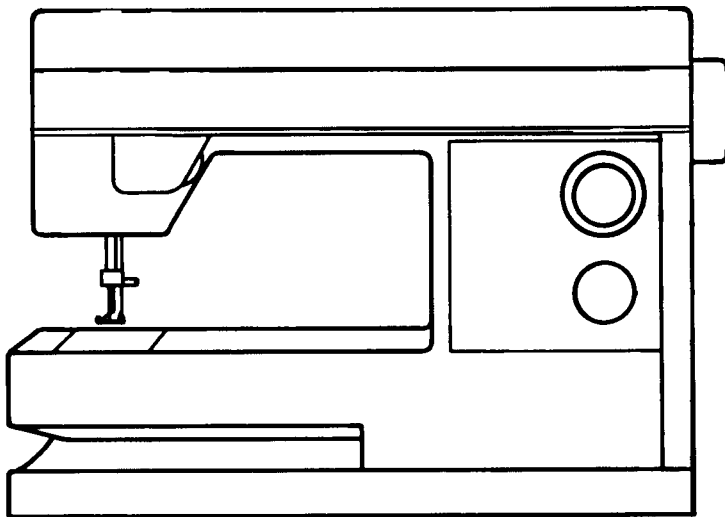


***Spare parts***  
***Ersatzteile***  
***Pièces détachées***  
***Reservdelar***



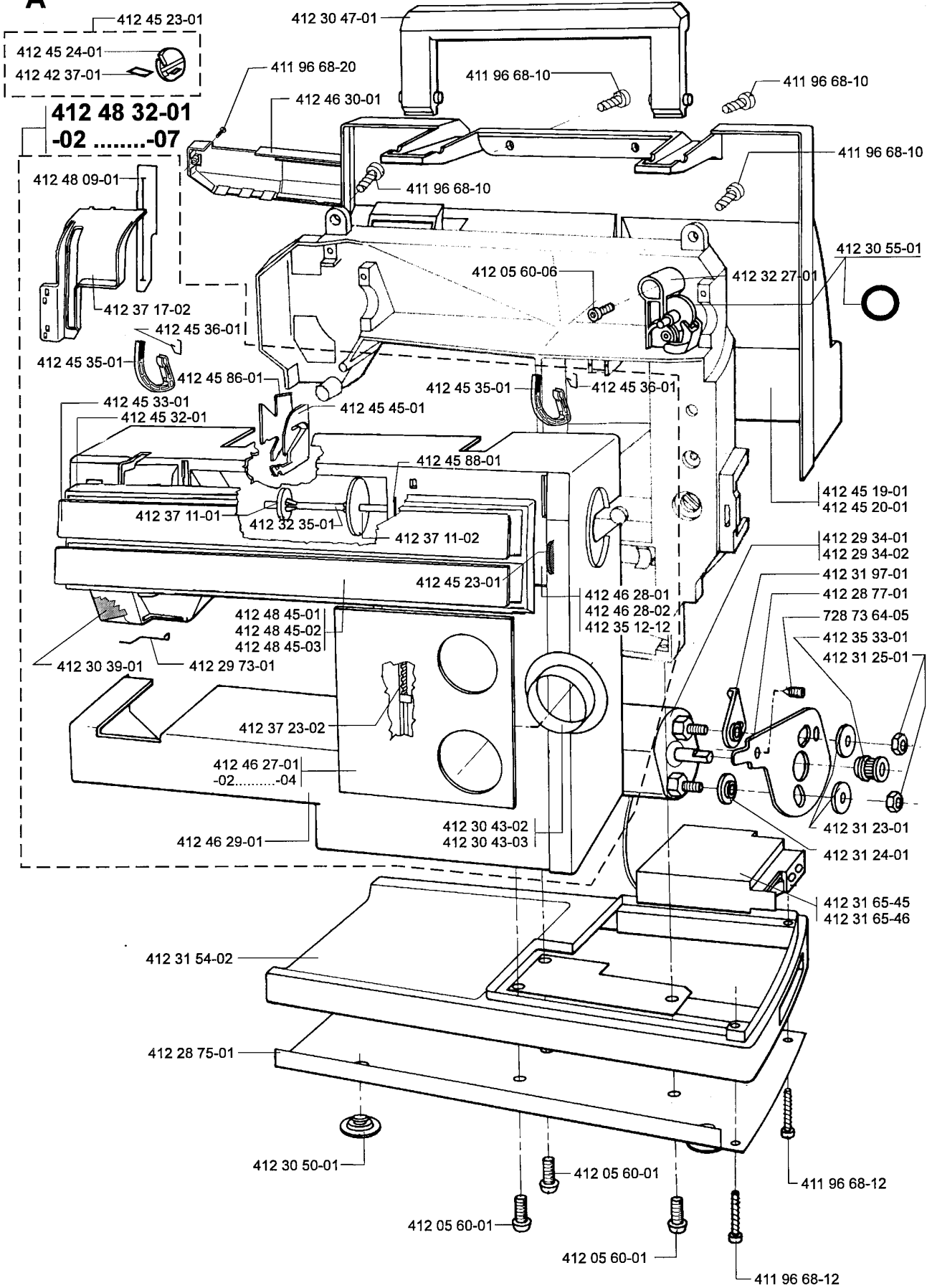
**310**

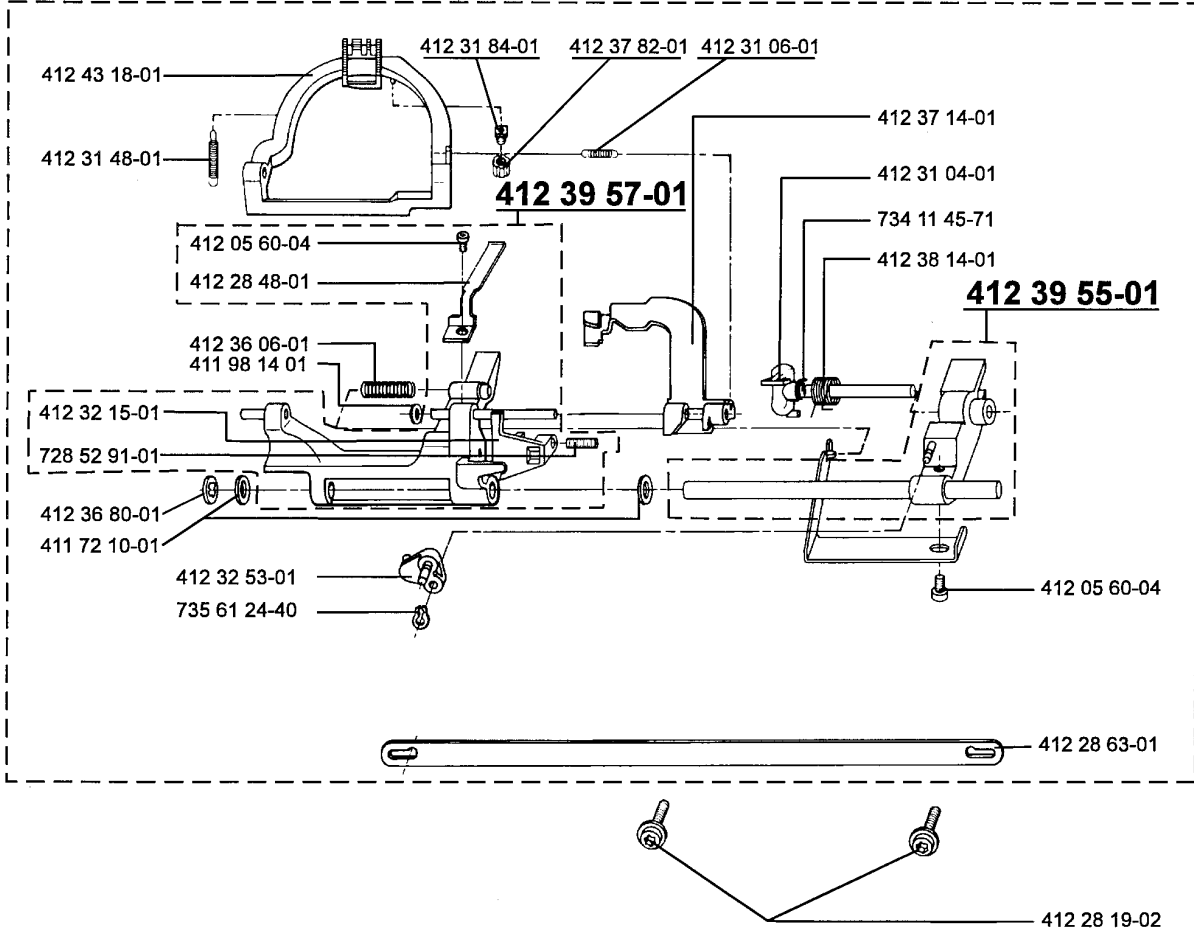
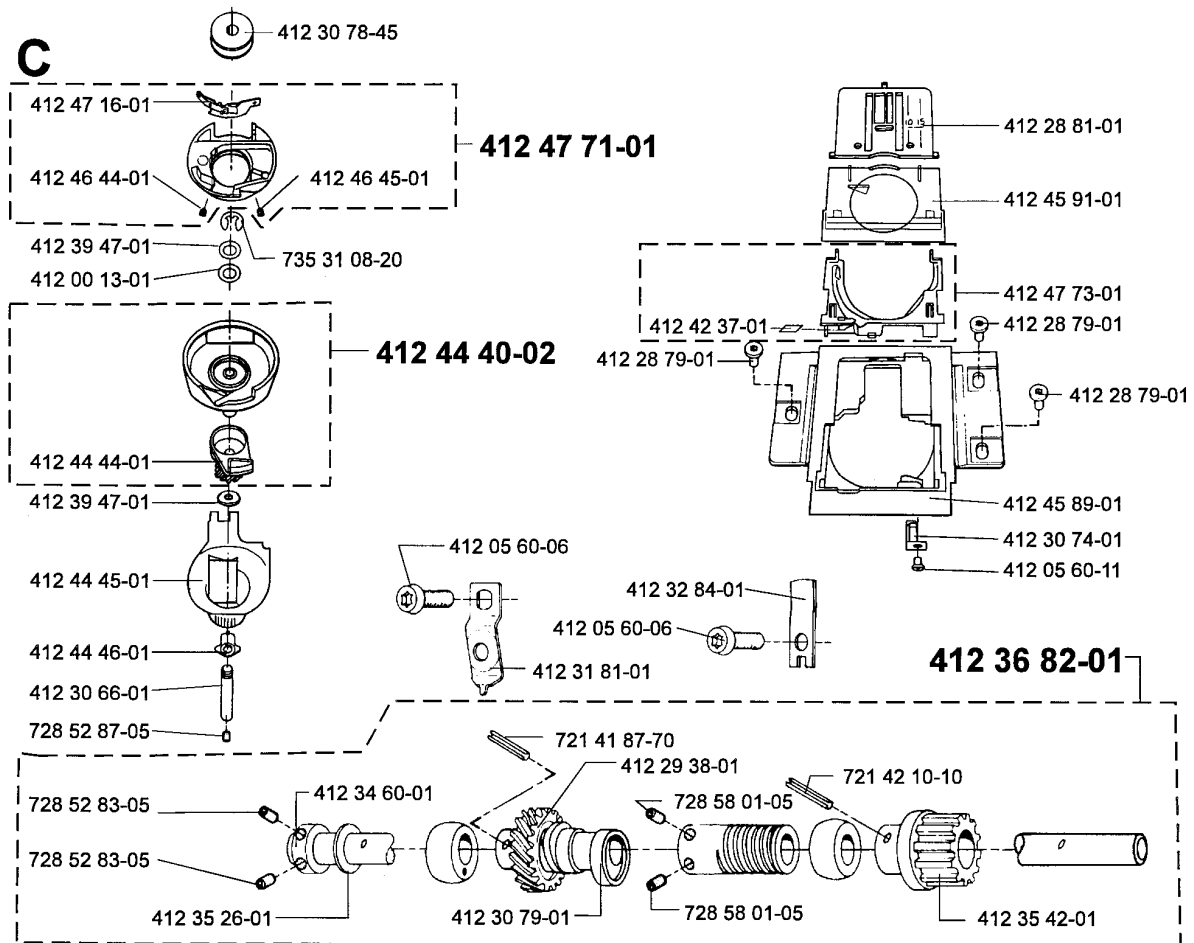
**320**

**330**

Part no.	Description	Square	Part no.	Description	Square	Part no.	Description	Square
411 72 10-01	Washer	B	412 31 41-01	Foot control compl.	H	412 45 89-01	Hook cover	C
411 75 00-07	Needle bar compl.	E	412 31 44-01	Cable	H	412 45 91-01	Hook cover window	C
411 75 02-01	Needle clamp	E	412 31 44-02	Cable	H	412 46 13-01	Extension table	J
411 75 03-01	Stop needle clamp	E	412 31 48-01	Spring	B	412 46 27-01	Panel stitches 330	A
411 75 04-01	Thread guide	E	412 31 50-01	Stud	D	412 46 27-02	Panel stitches 320	A
411 82 62-07	Lamp holder stand.	E	412 31 54-02	Base plate	A	412 46 27-03	Panel stitches 310	A
411 82 62-08	Lamp holder USA-Can	E	412 31 60-41	Shaft, sewing frame	E	412 46 27-04	Panel stitches LUX	A
411 96 68-10	Screw	A	412 31 65-45	PC-board 220-240 V	A	412 46 28-01	Guide 330	A
411 96 68-12	Screw	A	412 31 65-46	PC-board 100-120 V	A	412 46 28-02	Guide LUX	A
411 96 68-20	Screw	A	412 31 69-01	Spring	D	412 46 29-01	Front cover	A
411 98 14-01	Washer	B	412 31 79-01	Clutch	F	412 46 30-01	Back cover, lower	A
411 98 17-01	Washer	D	412 31 81-01	Clamp, lower shaft	C	412 46 44-01	Screw	C
412 00 13-01	Washer	C	412 31 84-01	Bushing, feed dog	B	412 46 45-01	Screw	C
412 01 48-02	Light bulb 100-120 V	E	412 31 89-01	Control unit	H	412 47 16-01	Tread tension assy.	C
412 02 41-01	Spring	E	412 31 97-01	Belt stretcher	A	412 47 71-01	Bobbin case	C
412 02 69-02	Light bulb 220-250 V	E	412 32 03-01	Screw	D	412 47 73-01	Case holder	C
412 05 60-01	Screw M5*14	A	412 32 15-01	Lever feed lower	B	412 48 09-01	Protector strip.	A
412 05 60-04	Screw M3*6	B	412 32 27-01	Bobbin winding	A	412 48 32-01	Front cover compl. HVA 330	A
412 05 60-06	Screw M4*12	A,C,E,F	412 32 31-01	Lever, slide	D	412 48 32-02	Front cover compl. VIK 330	A
412 05 60-07	Screw M4*16	G	412 32 35-01	Reel pin	A	412 48 32-03	Front cover compl. HVA 320	A
412 05 60-09	Screw M4*30	D	412 32 43-01	Thread reel pin	J	412 48 32-04	Front cover compl. VIK 320	A
412 05 60-11	Screw M3*5	C	412 32 45-01	Thread tension device	G	412 48 32-05	Front cover compl. HVA 310	A
412 15 23-03	Cross head compl.	E	412 32 47-01	Lever thread tension	G	412 48 32-06	Front cover compl. VIK 310	A
412 15 78-01	Cord device, stand.	H	412 32 49-01	Screw thread tension	G	412 48 32-07	Front cover compl. LUX	A
412 15 79-03	Cord device, USA, Can.	H	412 32 50-01	Spring holder	G	412 48 45-01	Name plate HVA	A
412 15 80-02	Cord device, England	H	412 32 51-01	Control thread tension	G	412 48 45-02	Name plate Vik	A
412 15 81-01	Cord device, Australia	H	412 32 53-01	Feed adj. link	B	412 48 45-03	Name plate Lux	A
412 15 98-01	Spring	H	412 32 75-01	Sleeve lamp	J	412 51 09-01	Pattern mechanism 330	D
412 18 45-01	Foot	H	412 32 84-01	Clamp	C,F	412 51 09-02	Pattern mechanism 320	D
412 21 14-03	Screw	E	412 33 67-01	Washer	D	412 51 09-03	Pattern mechanism 310	D
412 27 41-01	Sealing washer	E	412 34 42-01	Hard cover	J	721 41 87-70	Pin	C,F
412 28 19-02	Screw	B,E	412 34 60-01	Stop ring	C	721 42 10-01	Pin	C
412 28 19-03	Screw	E	412 35 12-12	Name plate	A	723 12 19-01	Screw M3*5	E
412 28 48-01	Spring	B	412 35 26-01	Washer	C	725 62 91-01	Screw M4*12	E
412 28 51-01	Adjusting arm	E	412 35 31-01	Thread tension set	G,J	728 52 18-05	Screw	E
412 28 54-01	Presser bar	E	412 35 33-01	Drive wheel compl.	A	728 52 83-05	Screw	C,F
412 28 61-01	Lever	D	412 35 42-01	Pulley	C	728 52 85-05	Screw M4*6	E
412 28 63-01	Draw bar, feed mech.	B	412 36 06-01	Spring	B	728 52 87-05	Screw M4*8	C
412 28 64-01	Draw bar	E	412 36 14-01	Opener throat plate	J	728 52 91-01	Screw M4*12	B,D
412 28 66-01	Eccentric	D	412 36 78-01	Spring	G	728 53 20-05	Screw M5*5	F
412 28 71-01	Shaft, cam set	D	412 36 80-01	Locking washer	B	728 53 23-05	Screw M5*8	D
412 28 72-01	Shaft	D	412 36 82-01	Lower shaft compl.	C	728 58 01-05	Screw M5*4	C
412 28 75-01	Base plate	A	412 36 83-01	Arm shaft compl.	F	728 73 20-01	Screw	F
412 28 77-01	Attachment	A	412 36 84-01	Cog belt	F	728 73 64-05	Screw 6*10 mm	A
412 28 79-01	Screw	C	412 36 87-01	Pin	F	731 23 10-01	Nut M3	D
412 28 81-01	Throat plate	C	412 37 11-01	Thread real disc 20 mm	A	731 23 12-01	Nut M4	D
412 28 82-01	Worm wheel	D	412 37 11-02	Thread real disc 40 mm	A	732 21 12-01	Nut M4	D
412 29 34-01	Motor compl.220-240 V	A	412 37 14-01	Lever feed lifter	B	734 11 45-71	Washer	B
412 29 34-02	Motor compl.100-120 V	A	412 37 17-02	Screen	A	735 31 08-20	C-washer	C
412 29 38-01	Worm gear	C	412 37 23-02	Index band	A	735 31 10-20	C-washer	D
412 29 51-01	Cam set	D	412 37 46-01	Lever, stitch setting	D	735 58 52-01	Locking washer	D
412 29 73-01	Thread guide	A	412 37 47-01	Eccentric	D	735 58 55-00	Washer	F
412 29 75-01	Curve	D	412 37 48-01	Shaft	D	735 61 24-40	Compression ring 3mm	B,G
412 29 84-01	Slide	D	412 37 49-01	Dial zig zag	D	735 61 36-40	Compression ring 4mm	D,E
412 29 86-01	Planet wheel	D	412 37 50-01	Knob . Version 1 fits only with 412 29 90-01 Hub, dial.	D	735 61 46-40	Compression ring 5mm	D
412 29 87-01	Lifting arm	D	412 37 51-01	Curve	D	735 61 53-40	Compression ring 6mm	E
412 29 88-01	Spring	D	412 37 52-01	Dial	D			
412 29 89-01	Curve	D						
412 29 90-01	Hub, dial. Version 1 fits only with 412 37 50-01 knob	D	412 37 53-01	Knob	D	ACCESSORIES		
412 29 93-01	Spring	D	412 37 72-01	Sewing head	E	401 53 99-01	Buttonhole knife	J
412 29 94-01	Guide index	D	412 37 82-01	Nut	B	401 55 55-01	Brush	J
412 29 95-01	Spring	D	412 38 14-01	Spring	B	411 17 32-01	Button reed	J
412 30 01-01	Washer	F	412 38 16-01	Feed unit compl.	B	412 01 76-01	Hemmer 10 mm	J
412 30 06-01	Driver	F	412 39 09-02	Plastic bag with access.	J	412 38 00-01	Presser foot "A"	J
412 30 07-01	Spring	F	412 39 44-01	Tread take up	E	412 38 01-01	Presser foot "B"	J
412 30 08-01	Pulley	F	412 39 47-01	Washer	C	412 38 03-01	Buttonhole foot "C"	J
412 30 09-01	Hand wheel	F	412 39 55-01	Frame feed unit	B	412 38 04-01	Blind stitch foot "D"	J
412 30 16-01	Link	G	412 39 57-01	Frame carriage feed	B	412 38 05-01	Zipper foot "E"	J
412 30 21-01	Locking washer	G	412 40 51-01	Washer	D	412 38 06-01	Edging foot "J"	J
412 30 24-01	Crank arm	G	412 40 98-01	Screw, needle clamp	E	412 38 15-01	Screw driver medium	J
412 30 26-01	Cog belt	F	412 41 12-01	Ankle	E	412 34 73-01	Gathering foot	J
412 30 30-01	Guide arm	E	412 42 37-01	Knife	A,C			
412 30 39-01	Reflector	A	412 43 18-01	Feed dog	B	OPERATING MANUALS		
412 30 43-02	Panel stitches 330,320	A	412 43 90-01	Spring	D	412 46 31-05	Operating man Swe/Fin	
412 30 43-03	Panel stitches 310	A	412 44 40-02	Hook compl.	C	412 46 31-15	Operating man Dan/Nor	
412 30 47-01	Handle	A	412 44 44-01	Cog wheel	C	412 46 31-25	Operating man Fra/Dutch	
412 30 50-01	Foot	A	412 44 45-01	Dust cover	C	412 46 31-35	Operating man Ger/Ita	
412 30 55-01	Rubber ring	A	412 44 46-01	Adjusting washer	C	412 46 31-45	Operating man Eng/Spa	
412 30 66-01	Shuttle shaft	C	412 44 73-01	Hub dial Version 2 fits only with 412 44 74-01 Knob.	D	412 46 31-56	Operating man Russian	
412 30 74-01	Damper	C	412 44 74-01	Knob . Version 2 fits only with 412 44 73-01 Hub, dial.	D	412 46 31-60	Operating man Portuguese	
412 30 78-45	Plastic bobbins (10-pac)	C,J	412 45 19-01	Backover HVA	A			
412 30 79-01	Eccentric feed	C						
412 30 83-01	Frame, sewing head	E	412 45 20-01	Back cover, blank	A			
412 30 91-03	Regulating dial	E	412 45 23-01	Knife compl.	A			
412 30 96-02	Presser bar dial	E	412 45 24-01	Knife holder	A			
412 30 97-01	Presser bar lifter	E	412 45 32-01	Cover	A			
412 31 04-01	Guide compl.	B	412 45 33-01	Window	A			
412 31 06-01	Spring	B	412 45 35-01	Hinge	A			
412 31 23-01	Isulation (male)	A	412 45 36-01	Hinge spring	A			
412 31 24-01	Isulation (female)	A	412 45 43-01	Accessory box	J			
412 31 25-01	Nut	A	412 45 45-01	Thread guide	A			
412 31 33-02	Plastic bag with access.	J	412 45 86-01	Thread guide	A			
412 31 34-01	Soft-cover	J	412 45 88-01	Guide	A			

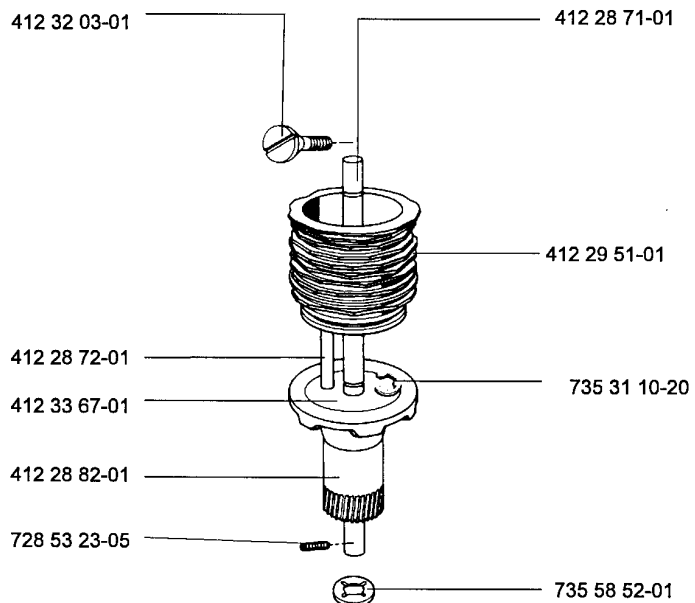
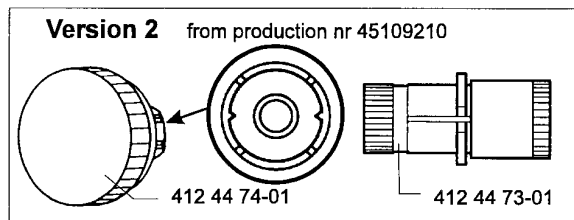
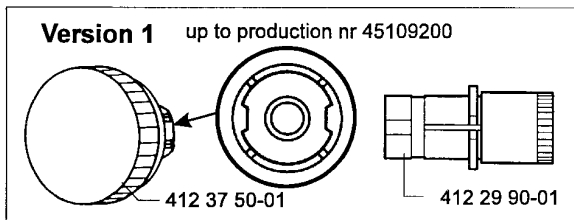
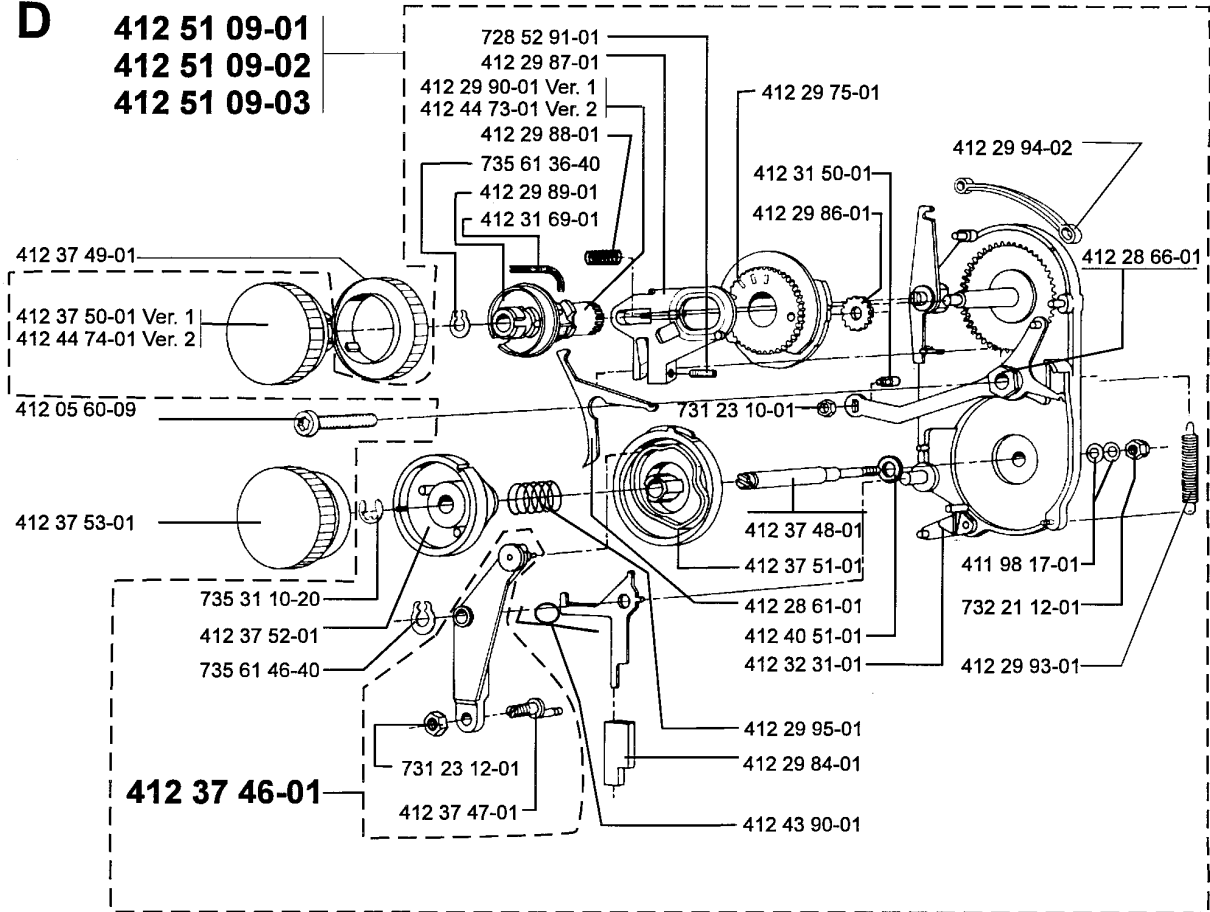
A



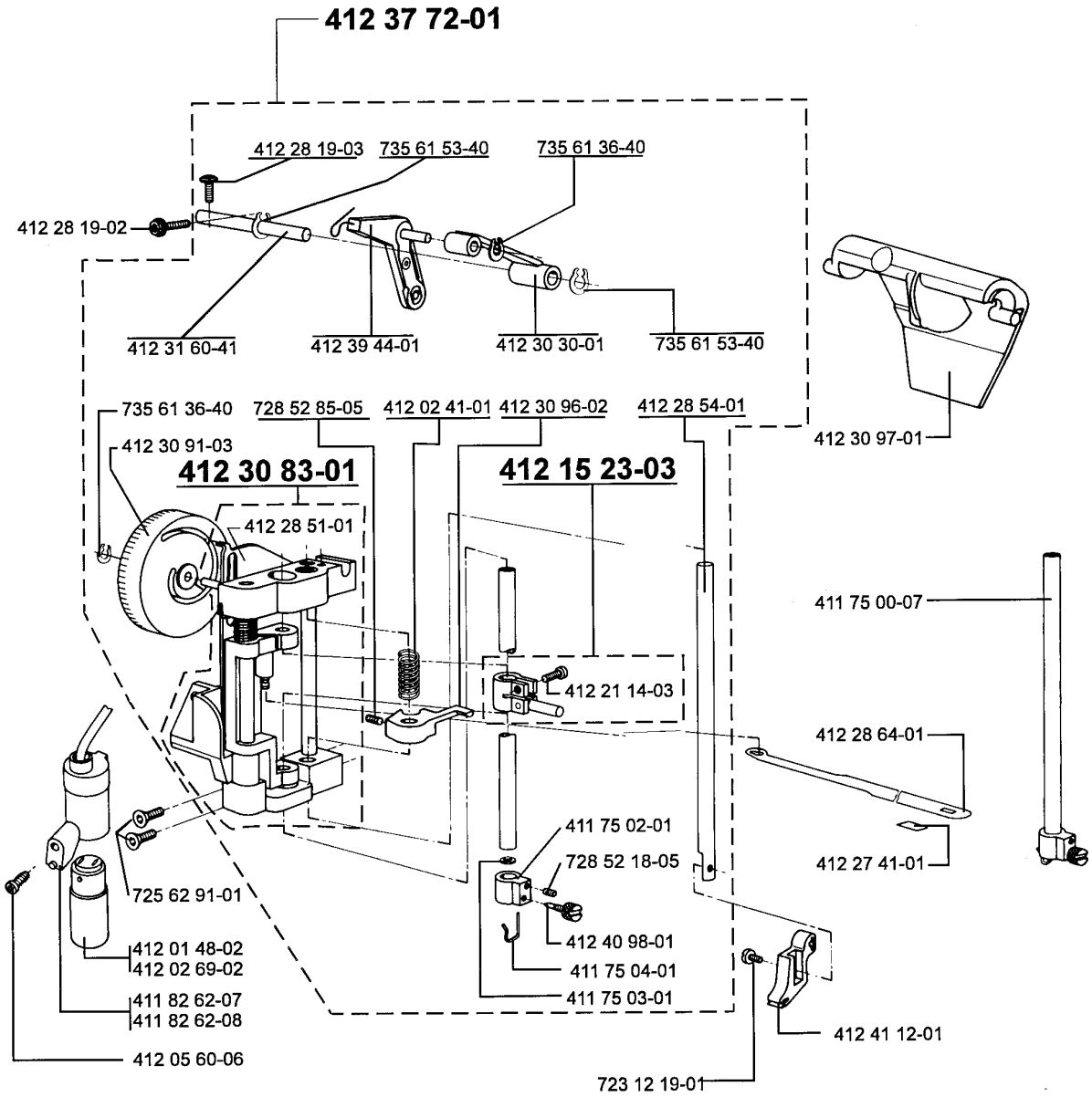
**B****412 38 16-01****C**

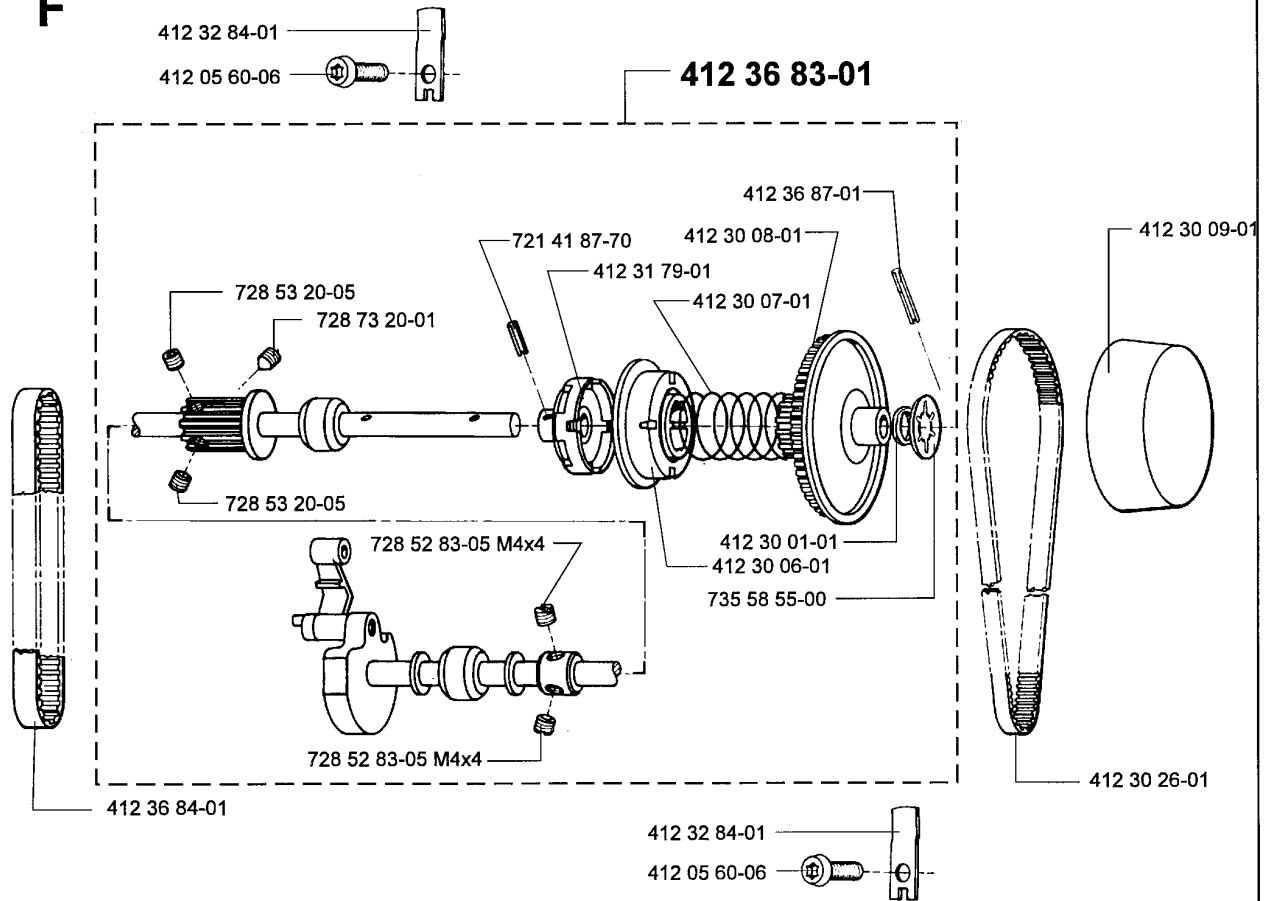
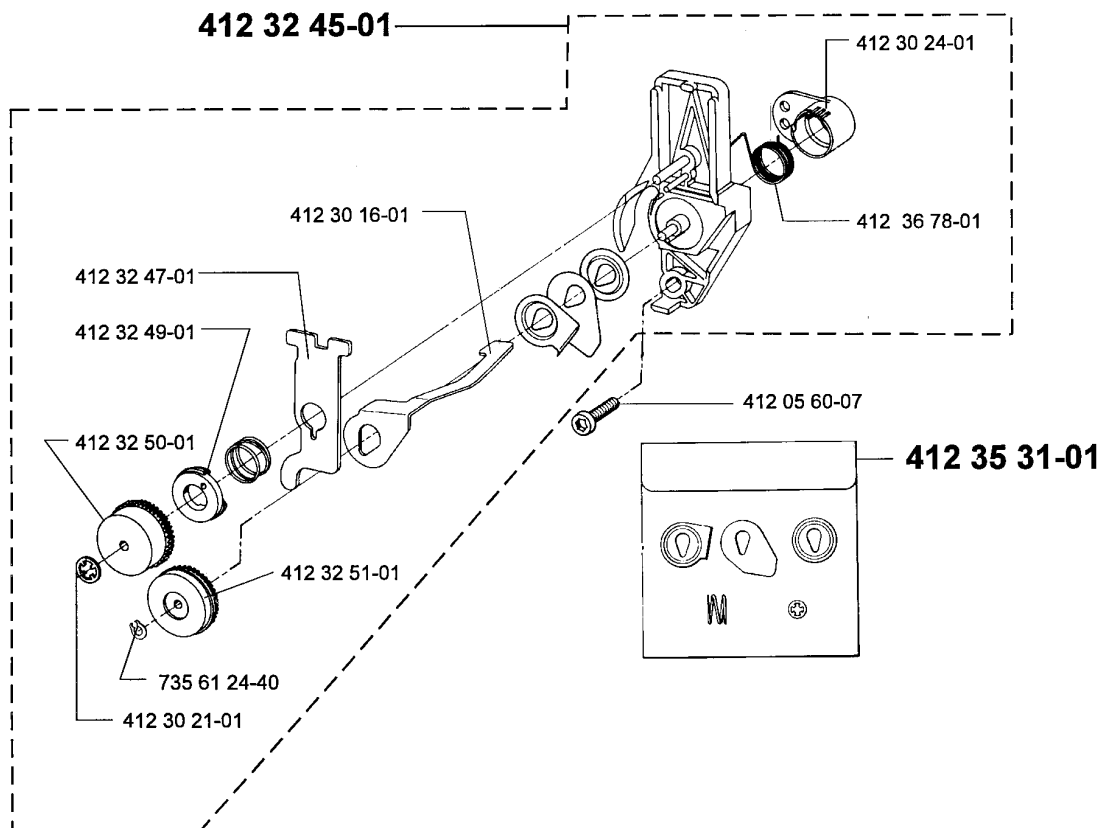
**D**

**412 51 09-01**  
**412 51 09-02**  
**412 51 09-03**



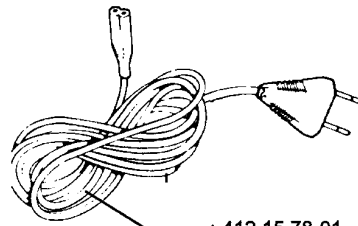
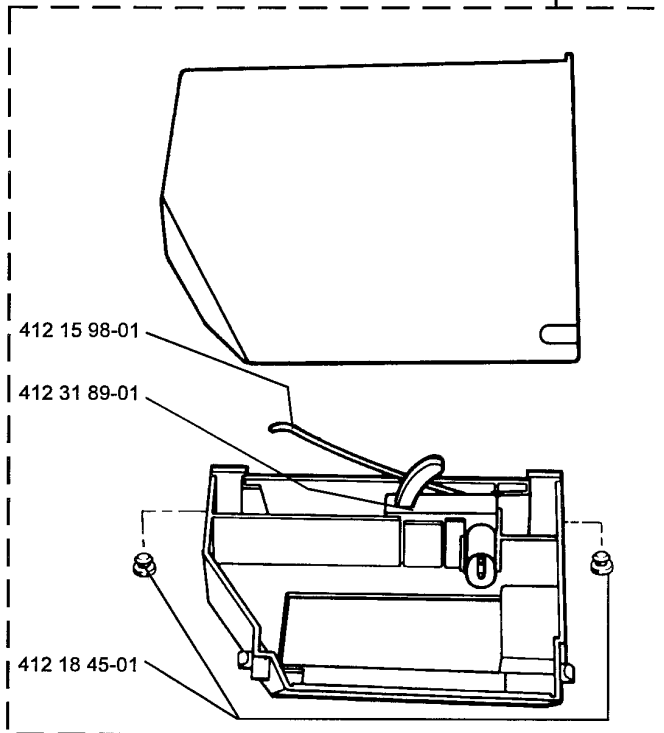
**E**



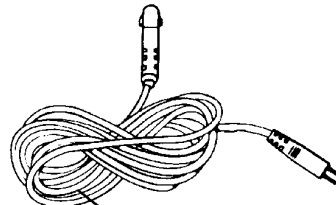
**F****G**

H

412 31 41-01

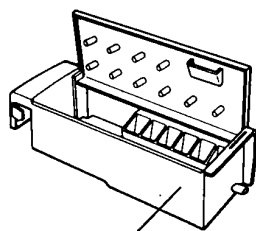


412 15 78-01  
 412 15 79-03  
 412 15 80-02  
 412 15 81-01

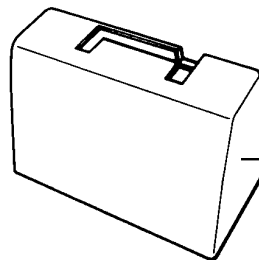


412 31 44-01  
 412 31 44-02

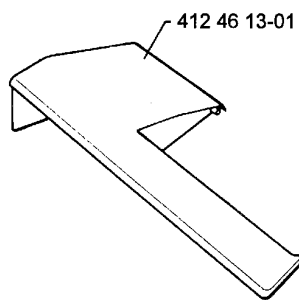
J



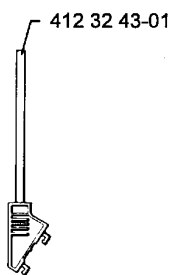
412 45 43-01



412 31 34-01 Soft cover  
 412 34 42-01 Hard cover

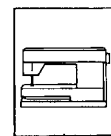


412 46 13-01



412 32 43-01

OPERATING MANUALS



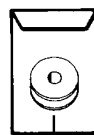
ACCESSORIES



412 35 31-01  
 Thread tension  
 set



412 39 09-02  
 Plastic bag  
 with access.



412 30 78-45  
 Plastic bobbins  
 10 pac



412 32 75-01



412 36 14-01