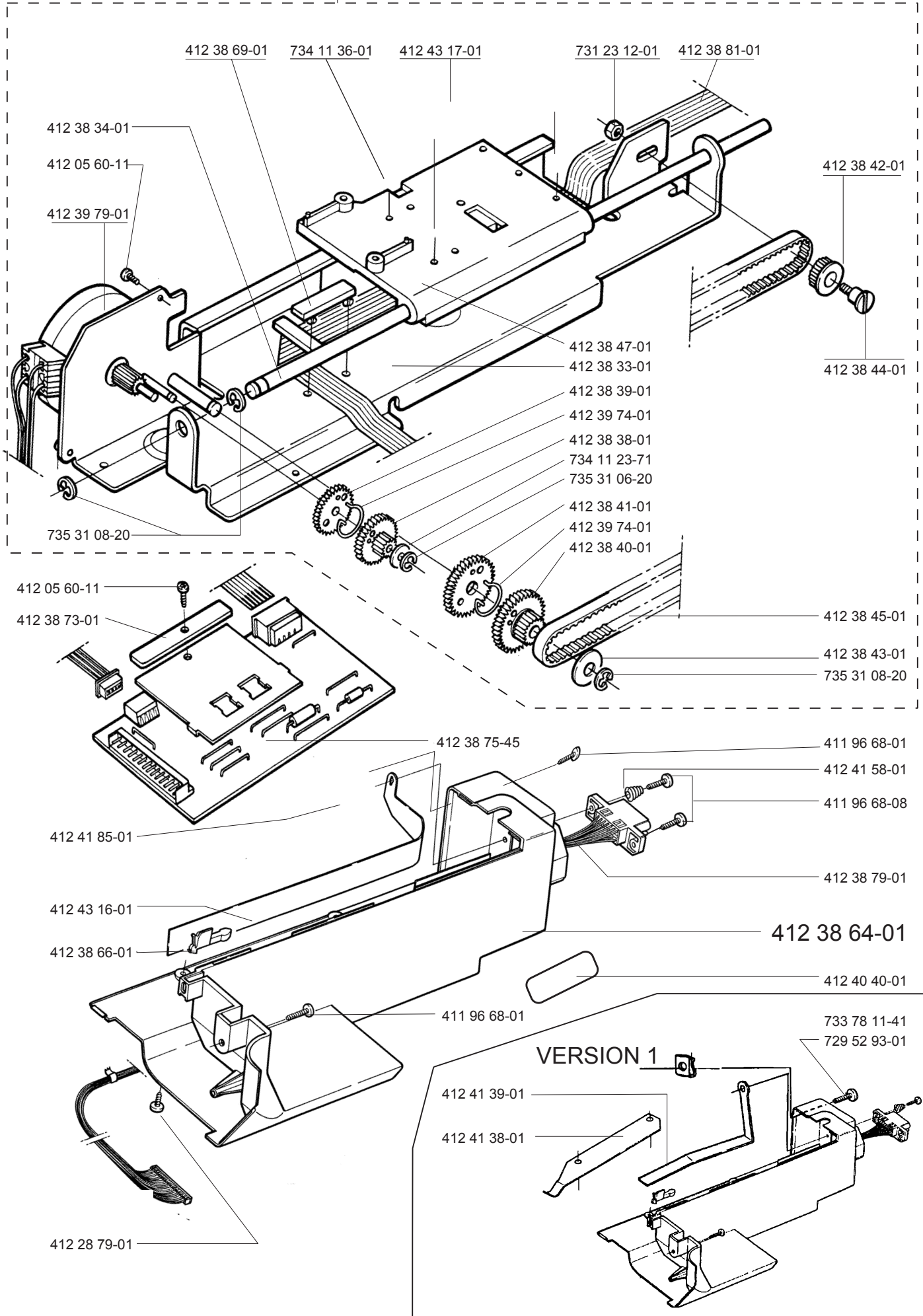


***Spare parts
Ersatzteile
Pièces détachées
Reservdelar***

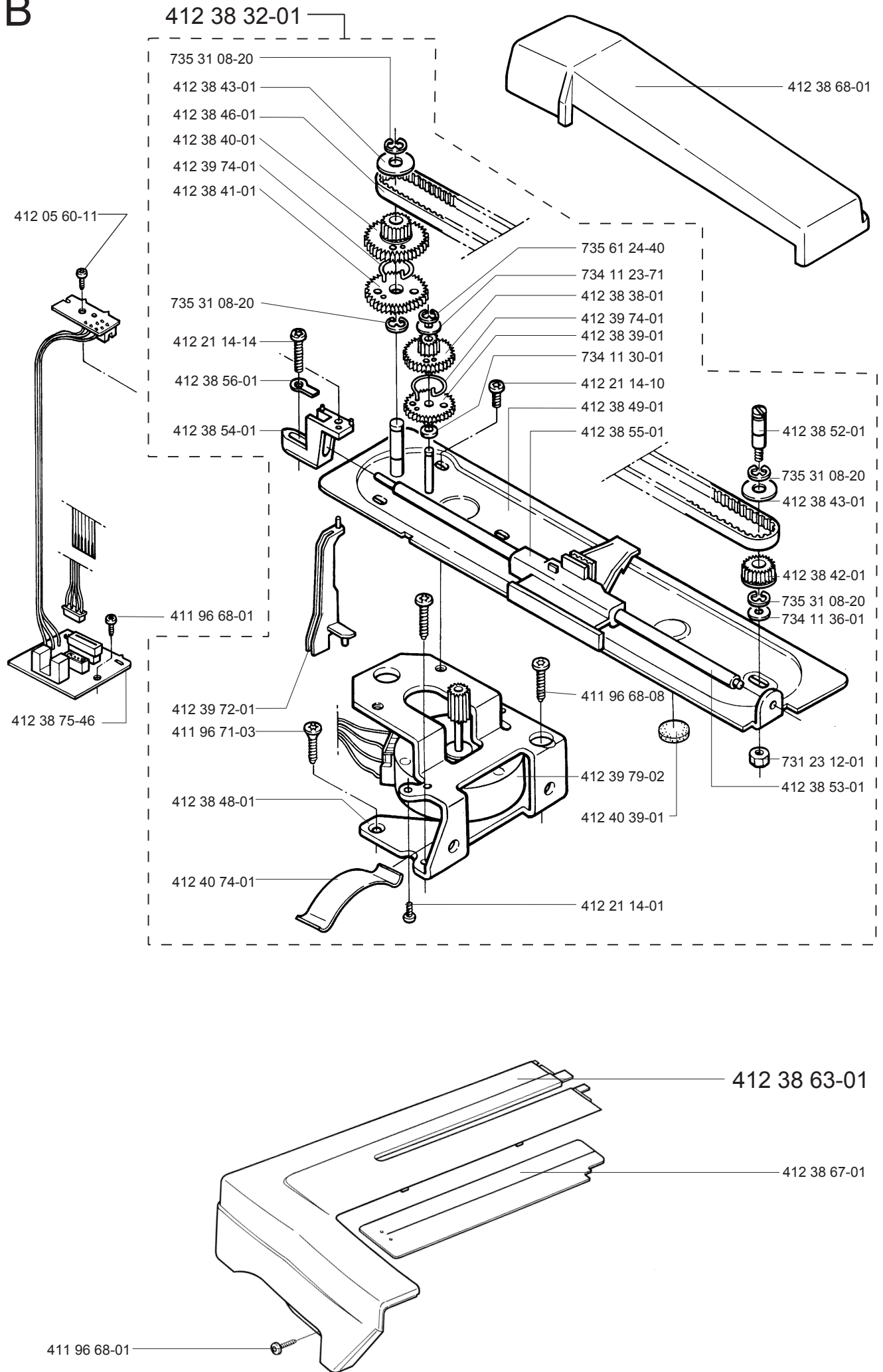
**1250, #1+
Embroidery Unit**

A

412 38 31-01

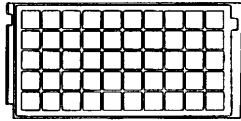


B

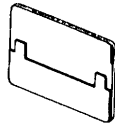


C

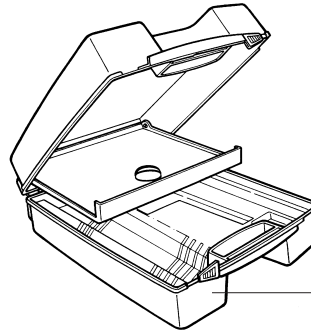
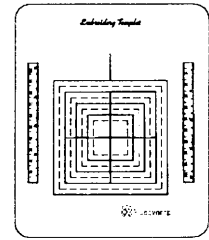
CASSETTE



MEMORY CARD

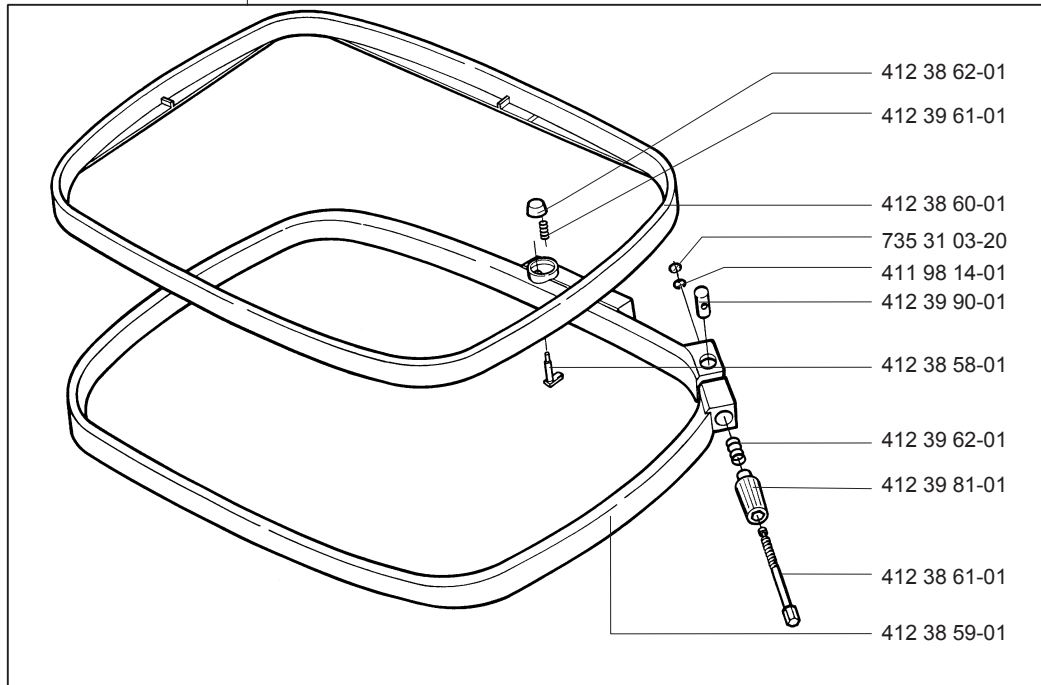


EMBROIDERY TEMPLAT



412 39 99-01

412 39 23-01



412 38 62-01

412 39 61-01

412 38 60-01

735 31 03-20

411 98 14-01

412 39 90-01

412 38 58-01

412 39 62-01

412 39 81-01

412 38 61-01

412 38 59-01

Part.No	Description	Square	Part. No	Description	Square	Part.No	Description	Square
411 96 68-01	Screw 7,5 mm	A,B	412 38 60-01	Embroidery frame, inside	C	412 43 17-01	Spring	A
411 96 68-08	ScREW 14 mm	A,B	412 38 61-01	Screw	C	729 52 93-01	Screw RXS B6x38 mm	A
411 96 71-03	Screw 14 mm	B	412 38 62-01	Key	C	731 23 12-01	Nut	A,B
411 98 14-01	Washer	C	412 38 63-01	Cover, top	B	733 78 11-41	Quick acting lock nut	A
412 05 60-11	Screw M3x5 mm	A,B	412 38 64-01	Cover, base	A	734 11 23-71	Washer	A,B
412 21 14-01	Screw M3x4 mm	B	412 38 66-01	Latch	A	734 11 30-01	Washer	B
412 21 14-10	Screw M4x6 mm	B	412 38 67-01	Seal	B	734 11 36-01	Washer	A, B
412 21 14-14	Screw M4x16 mm	B	412 38 68-01	Cover Y-unit	B	735 31 03-20	C-washer	C
412 28 79-01	Screw	A	412 38 69-01	Clamp flex cable	A	735 31 06-20	C-washer	A
412 38 31-01	X-unit compl	A	412 38 73-01	Clamp	A	735 31 08-20	C-washer	A,B
412 38 32-01	Y-unit compl	B	412 38 75-45	Circuit board, main board	A	735 61 24-40	Compression ring 3 mm	B
412 38 33-01	Frame X-unit	A	412 38 75-46	Circuit board	B			
412 38 34-01	Shaft X-unit	A	412 38 79-01	Cable compl.	A	ACCESSORIES		
412 38 38-01	Cog wheel	A,B	412 38 81-01	Cable flexible	A	412 39 37-01	Embroidery foot Q	C
412 38 39-01	Cog wheel	A,B	412 39 23-01	Embroidery box compl.	C	412 39 65-01	Embroidery card 1	C
412 38 40-01	Cog wheel	A,B	412 39 61-01	Stop spring	C	412 39 68-12	Cassette 1,Embroidery	C
412 38 41-01	Cog wheel	A,B	412 39 62-01	Spring	C	412 39 68-13	Cassette 2,Embroidery	C
412 38 42-01	Cog wheel	A,B	412 39 72-01	Cable guide Y-unit	B	412 39 68-14	Cassette 3,Embroidery	C
412 38 43-01	Washer	A,B	412 39 74-01	Spring	A,B	412 39 68-15	Cassette 4,Embroidery	C
412 38 44-01	Shaft belt tension X-unit	A	412 39 79-01	Step motor compl. X-unit	A	412 39 68-17	Cassette 5,Embroidery	C
412 38 45-01	Cog belt X-unit	A	412 39 79-02	Step motor compl. Y-unit	B	412 39 68-18	Cassette 6, Embroidery	C
412 38 46-01	Cog belt Y-unit	B	412 39 81-01	Grip	C	412 41 60-01	Embroidery foot R	C
412 38 47-01	Slide X-direction	A	412 39 90-01	Nut	C	412 41 61-01	Plastic bag w. access.	C
						412 41 66-01	Embroidery templet	C
412 38 48-01	Holder Y-slide, step motor	B	412 39 99-01	Embroidery frame compl.	C	412 41 69-01	Embroidery card 2	C
412 38 49-01	Frame Y-unit	B	412 40 39-01	Felt spacer	B	412 41 70-01	Embroidery card 3	C
412 38 52-01	Shaft belt tension Y-unit	B	412 40 40-01	Lid	A	412 41 71-01	Embroidery card 4	C
412 38 53-01	Shaft Y-slide	B	412 40 74-01	Spring	B	412 43 67-01	Embroidery card 5	C
412 38 54-01	Holder	B	412 41 38-01	Spring Ver. 1	A	412 43 93-01	Embroidery card 6	C
412 38 55-01	Slide Y-unit	B	412 41 39-01	Spring Ver. 1	A			
412 38 56-01	Washer	B	412 41 58-01	Spring	A			
412 38 58-01	Stop, Embroidery frame	C	412 41 85-01	Slide lock	B			
412 38 59-01	Embroidery frame, outside	C	412 43 16-01	Spring	A			