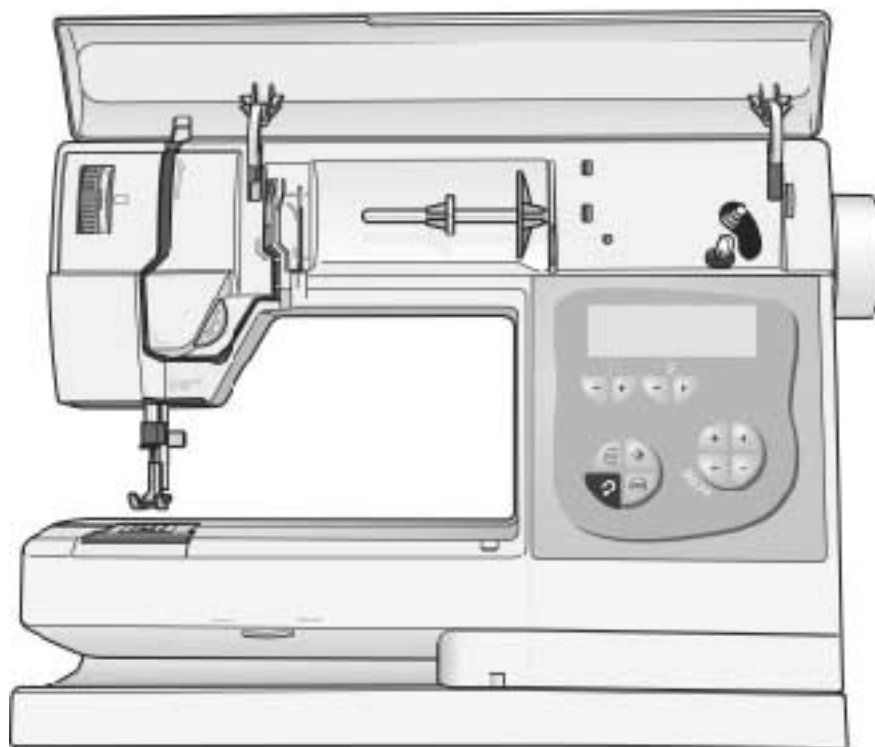


Parts list

Scandinavia 200



Partnr:	Description	Square
411 72 10-01	Washer	C
411 78 10-03	Light bulb	F
411 96 68-10	Screw	A
411 96 68-12	Screw	B
411 96 68-20	Screw	A
411 96 71-07	Screw	B
411 98 14-01	Washer	C
412 00 13-01	Washer	D
412 02 41-01	Spring	F
412 05 60-01	Screw M5*14	B
412 05 60-04	Screw M3*6	C,E,F
412 05 60-06	Screw M4*12	A,B,D,E,H
412 05 60-07	Screw M4*16	G
412 05 60-10	Screw M3*10	F
412 05 60-11	Screw M3*5	D
412 13 12-01	Bulb 4V	B
412 14 30-05	Fuse 6.3 A/250V	B
412 14 30-06	Fuse 2 A/250V	B
412 14 32-03	Fuse 3.5 A/250V (USA)	B
412 14 32-05	Fuse 2 A/250V (USA)	B
412 15 78-01	Cord device, stand.	J
412 15 79-02	Cord device Japan	J
412 15 79-03	Cord device, USA, Can.	J
412 15 80-02	Cord device, England	J
412 15 81-01	Cord device, Australia	J
412 15 98-01	Spring	J
412 18 45-01	Foot	J
412 21 14-02	Screw, torx M3*6	F
412 21 14-03	Screw, torx M3*8	F
412 21 14-14	Screw, torx M4*16	B
412 22 98-01	Locking nut	E
412 28 19-02	Screw	C,F
412 28 19-03	Screw M4*14	F
412 28 48-01	Spring	C
412 28 51-01	Adjusting arm	F
412 28 54-01	Presser bar	F
412 28 75-01	Base plate	B
412 28 79-01	Screw	D
412 29 73-01	Thread guide	A
412 30 06-01	Driver	H
412 30 07-01	Spring	H
412 30 08-01	Pulley	H
412 30 09-02	Hand wheel	H
412 30 16-01	Link	G
412 30 21-01	Locking washer	G
412 30 24-01	Crank arm	G
412 30 30-01	Guide arm	F
412 30 47-02	Handle	A
412 30 50-01	Foot	B
412 30 55-01	Rubber ring	A
412 30 66-01	Shuttle shaft	D
412 30 74-01	Damper	D
412 30 83-02	Frame, sewing head compl.	F
412 30 91-04	Regulating dial	F
412 30 96-02	Presser bar guide	F
412 30 97-01	Presser bar lifter	F
412 31 04-02	Guide compl.	C
412 31 06-01	Spring	C
412 31 34-01	Cover , soft	K
412 31 44-01	Power cord std	I
412 31 44-02	Power cord USA	I
412 31 48-01	Spring	C
412 31 60-41	Shaft, sewing frame	F
412 31 76-01	Toothed segment	F
412 31 79-01	Clutch	H
412 31 81-01	Clamp, lower shaft	D
412 31 84-01	Bushing, feed dog	C
412 31 89-01	Regulating unit	I
412 32 27-01	Bobbin winding	A
412 32 33-02	Sealing washer	A
412 32 34-03	Step motor, feeding	E
412 32 34-07	Step motor, sewing head	F
412 32 35-02	Reel pin	A
412 32 43-02	Thread reel pin	K
412 32 45-03	Thread tension device	G
412 32 47-01	Lever thread tension	G
412 32 49-01	Screw thread tension	G
412 32 50-01	Spring holder	G
412 32 51-02	Adjustment dial	G
412 32 67-45	PC-board transformer	B
412 32 71-45	Transformer 220-240V	B
412 32 71-47	Transformer 120V	B
412 32 71-48	Transformer 100V	B
412 32 84-01	Clamp	D,H
412 33 62-01	Cog wheel	E
412 33 93-01	Attachment, motor	B
412 33 94-01	Muffler, motor	B
412 33 97-02	Motor 24V	B
412 34 24-09	Base plate 445	B
412 34 24-10	Baseplate 435	B
412 34 26-01	Spring	A
412 34 42-03	Hard cover	K
412 34 45-01	Holder	B
412 34 47-01	Holder	B

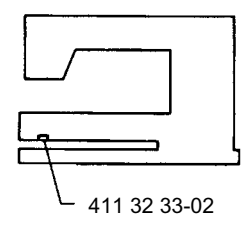
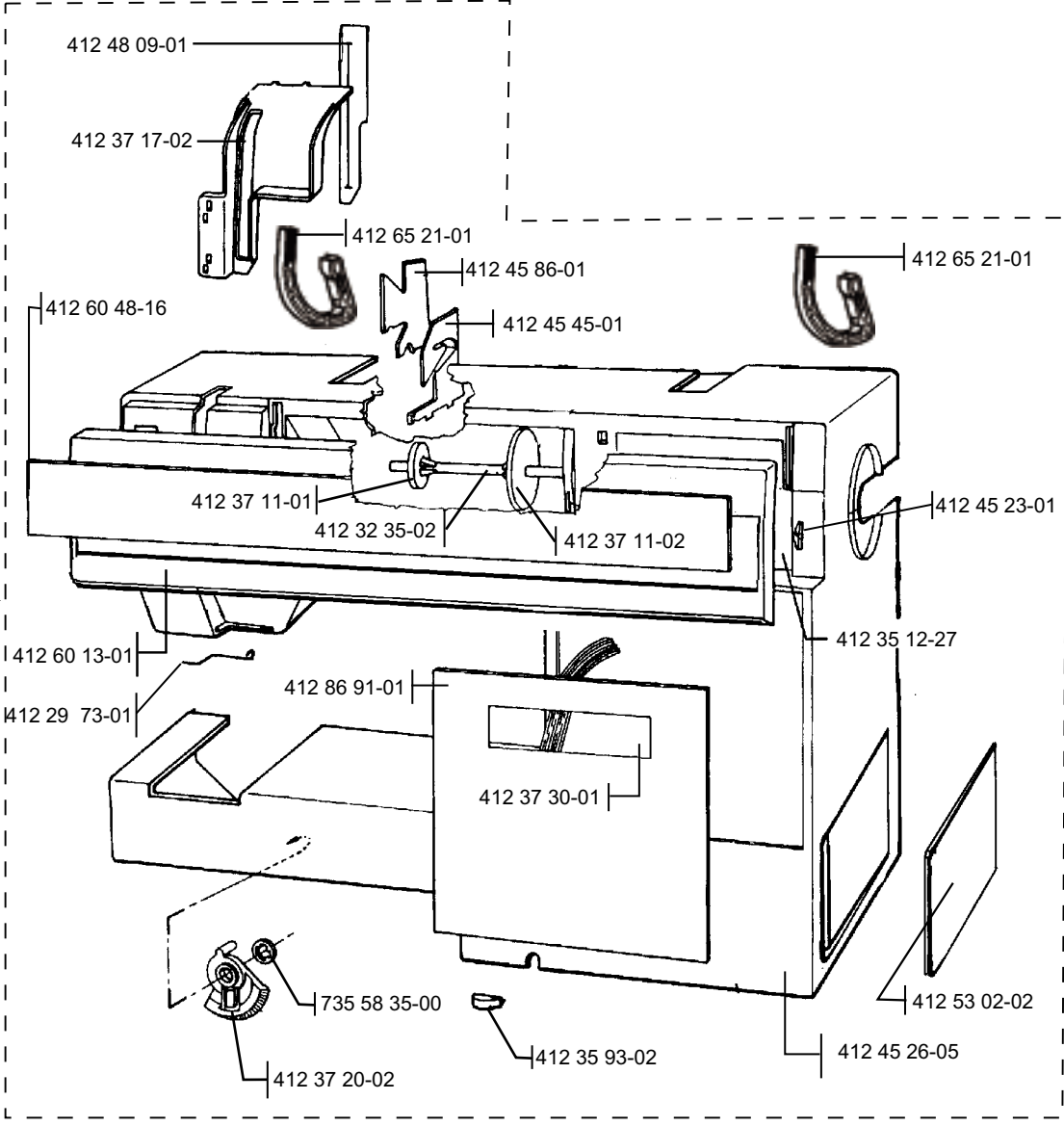
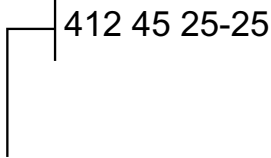
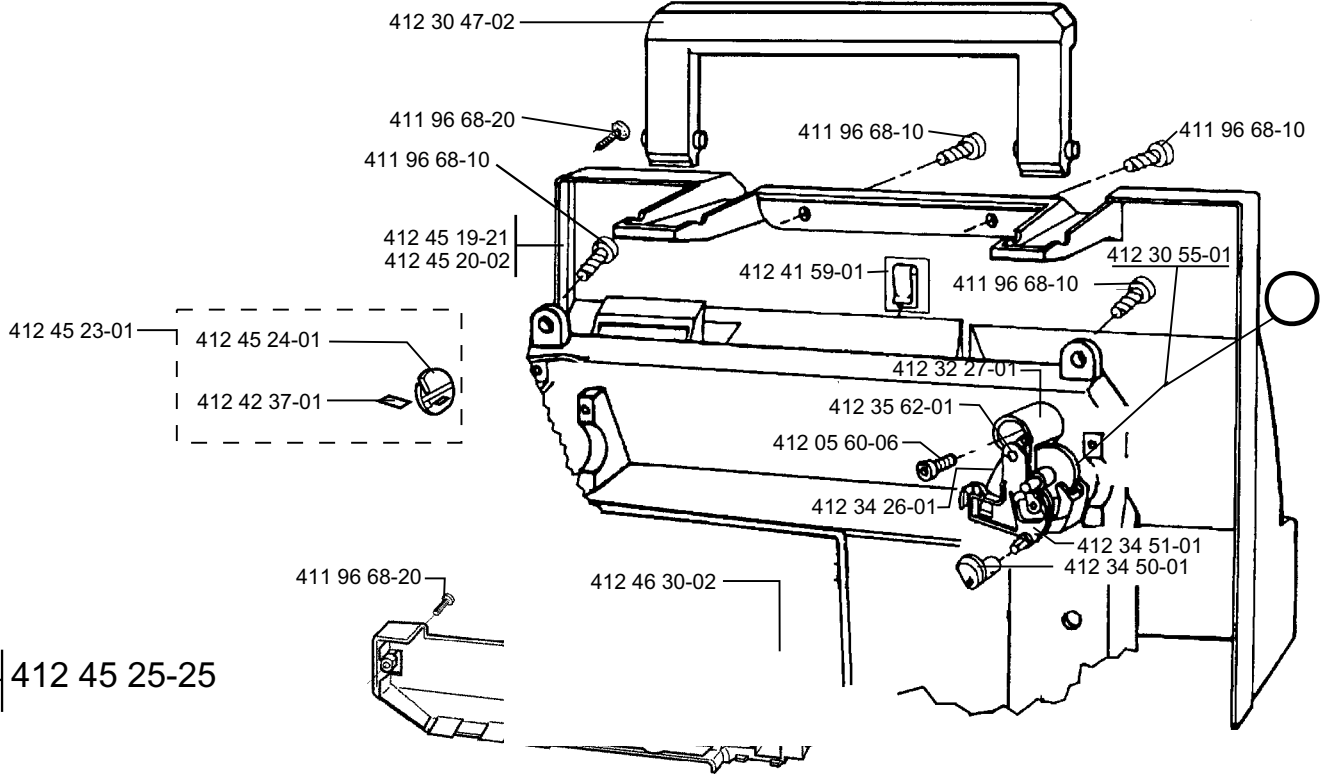
Partnr:	Description	Square
412 34 48-01	Screen	D
412 34 50-01	Eccentric	A
412 34 51-01	Adjusting arm	A
412 34 54-01	Cog belt	H
412 34 60-01	Stop ring	D
412 34 75-01	Feeding step motor	E
412 34 79-01	Calibration stop	E,F
412 34 80-02	Damper	E,F
412 34 81-01	Spring	E
412 34 82-01	Setting screw	E
412 34 84-01	Shaft, feeding compl.	E
412 34 85-01	Joint cross	E
412 34 87-01	Spring	E
412 34 88-01	Fastener, spring	E
412 34 89-01	Spring	F
412 34 91-01	Attachment	F
412 34 92-01	Cog wheel	F
412 34 96-01	Cablage motor	B
412 34 97-01	Cable for PC-board	B
412 35 12-26	Guide, quick info Lisa	A
412 35 12-27	Guide, quick info 445	A
412 35 12-27	Guide 445	A
412 35 26-01	Washer	D
412 35 31-01	Thread tension set	G,K
412 35 33-02	Driving wheel compl.	B
412 35 42-01	Pulley	D
412 35 62-01	Pin	A
412 35 64-01	Holder	B
412 35 93-02	Cover	A
412 36 14-01	Opener, stitch plate	K
412 36 78-01	Spring	G
412 36 80-01	Locking washer	C
412 36 82-03	Lower shaft compl.	D
412 36 83-02	Arm shaft	H
412 36 84-01	Cog belt	H
412 36 87-01	Pin	H
412 37 11-01	Thread reel disc 20 mm	A
412 37 11-02	Thread reel disc 40 mm	A
412 37 14-02	Lever feed lift	C
412 37 17-02	Screen	A
412 37 20-02	Knob, feed dog lowering	A
412 37 27-01	Spring	C
412 37 30-01	Window, foil keyboard	A
412 37 35-01	Connector sensor	F
412 37 82-01	Nut	C
412 38 16-02	Feeding unit compl.	C
412 39 12-01	Spring presserfoot lifter	F
412 39 44-01	Thread take up	F
412 39 47-01	Washer	D
412 39 54-01	Feed unit compl.	C
412 39 56-01	Frame carriage	C
412 39 59-04	Sewing head compl.	F
412 39 70-01	Guide connector	F
412 40 97-01	Screw	F
412 41 12-01	Ankel	F
412 41 59-01	Clip	A
412 42 37-01	Thread knife	A,D
412 43 18-01	Feed dog	C
412 44 40-02	Hook	D
412 44 44-01	Cog wheel	D
412 45 19-21	Back cover printed	A
412 45 20-02	Back cover , blank cover	A
412 45 23-01	Thread knife	A
412 45 24-01	Holder, thread knife	A
412 45 25-25	Front cover compl.	A
412 45 26-05	Front cover empty.	A
412 45 43-02	Accessory box	K
412 45 45-01	Thread guide	A
412 45 86-01	Thread guide	A
412 45 88-01	Thread support	A
412 45 91-01	Hook cover, window	D
412 45 19-17	Back cover with printing	A
412 46 13-02	Extension table	K
412 46 30-02	Back cover	A
412 46 44-01	Adjusting screw, thread tension	D
412 46 45-01	Screw, thread tension	D
412 46 95-02	Inside tray accessory box	K
412 47 16-01	Thread tension compl.	D
412 47 73-01	Case holder compl.	D
412 48 09-01	Protector, take up	A
412 49 49-01	Distance sleeve	B
412 49 80-54	PC-board, 435/445	B
412 50 24-03	Cross head compl.	F
412 51 63-02	Worm gear	D
412 52 19-05	Screw M5*6	F
412 53 02-02	Plug, card hole	K
412 53 30-01	Stitch plate	A
412 55 01-01	Bobbin case compl.	D
412 56 15-45	Plastic bobbins (10-pac)	D,K
412 56 85-01	Dust cover	D
412 56 86-01	Adjusting washer	D
412 57 01-01	Sleeve, lamp	K
412 58 17-01	Needle bar compl	F
412 58 18-01	Needle clamp	F

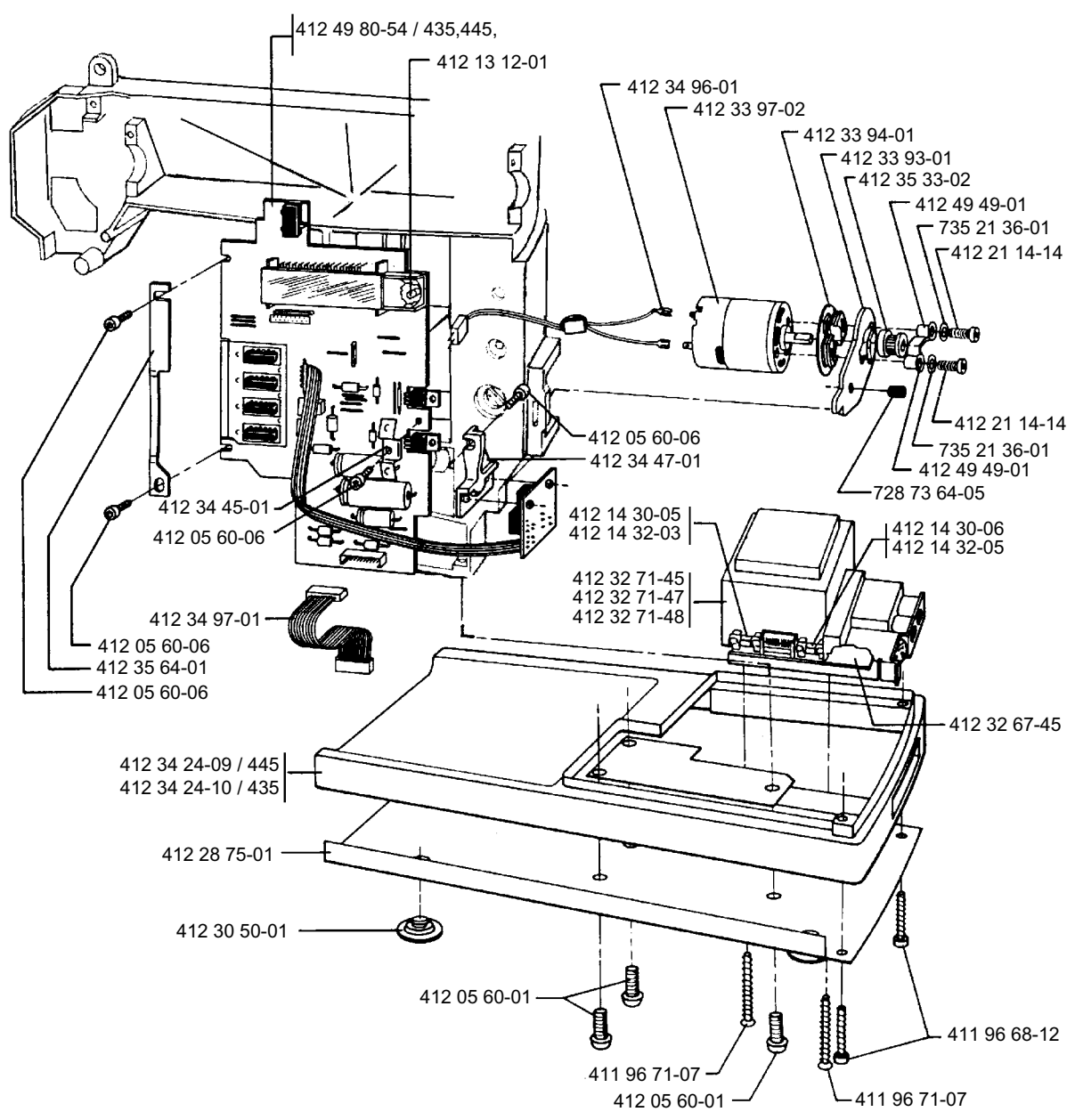
Partnr:	Description	Square
412 58 19-01	Thread guide	F
412 60 13-01	Lid cover	A
412 60 48-16	Name plate	A
412 65 21-01	Hinge	A
412 68 56-01	Eccentric feed	D
412 73 23-01	Screw needle clamp	F
412 75 31-01	Hook cover	D
412 77 34-01	Foot control Cpl.	I
412 77 38-01	Needle clamp Cpl.	F
412 77 64-06	Accessory bag	K
412 77 69-01	Oil protection washer	D
412 80 24-01	Foot control covers	I
412 86 91-01	Foilkeyboard	A
721 11 87-50	Pin	F
721 41 64-50	Pin	C
721 41 69-70	Pin	E
721 41 87-70	Pin	D,H
721 42 10-10	Pin	D
725 52 20-05	Screw M3*6	E
725 62 91-01	Screw M4*12	F
728 52 17-05	Screw M3*3	E,F
728 52 19-05	Screw M5*6	F
728 52 85-05	Screw M4*6	F
728 52 87-05	Screw M4*8	D
728 53 20-05	Screw M5*5	H
728 73 20-01	Screw	H
728 73 64-05	Screw 6*10 mm	B
728 82 83-05	Screw M4*4	D,H
735 21 36-01	Locking washer	B
735 31 08-00	C-washer	F
735 31 08-20	C-washer	D
735 58 35-00	Locking washer	A
735 58 55-00	Locking washer	H
735 61 24-40	Compression ring 3mm	G
735 61 36-40	Compression ring 4mm	F
735 61 53-40	Compression ring 6mm	F

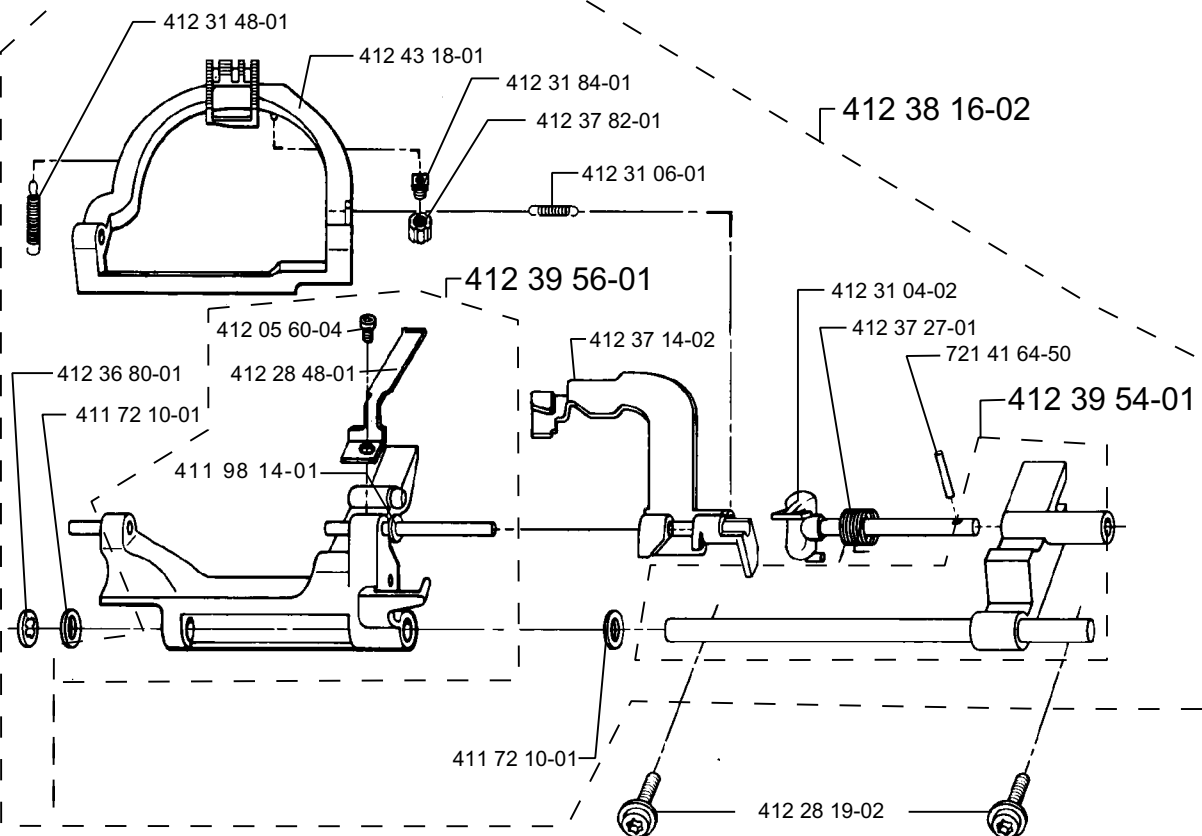
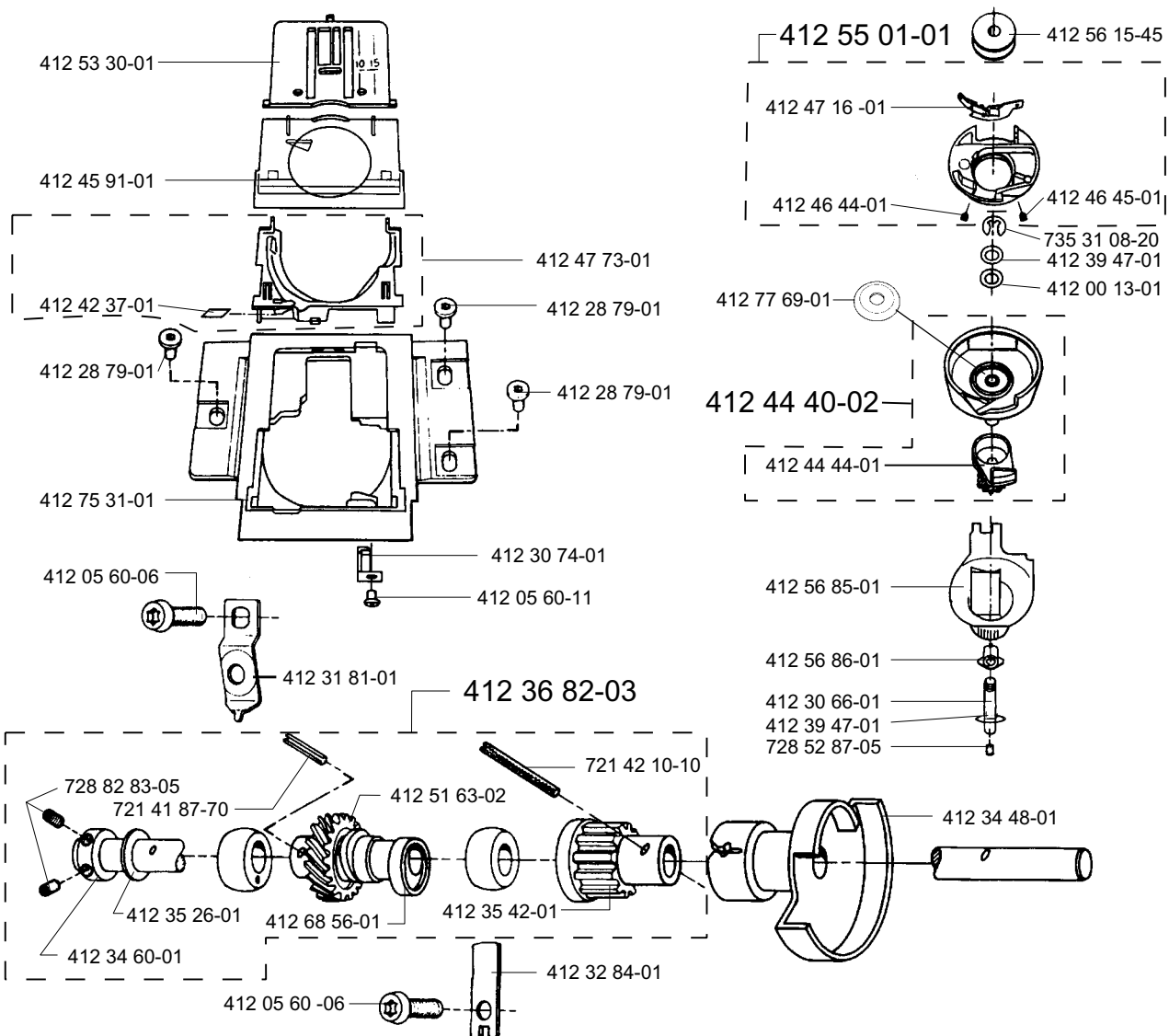
USERS GUIDE Scandinavia 200

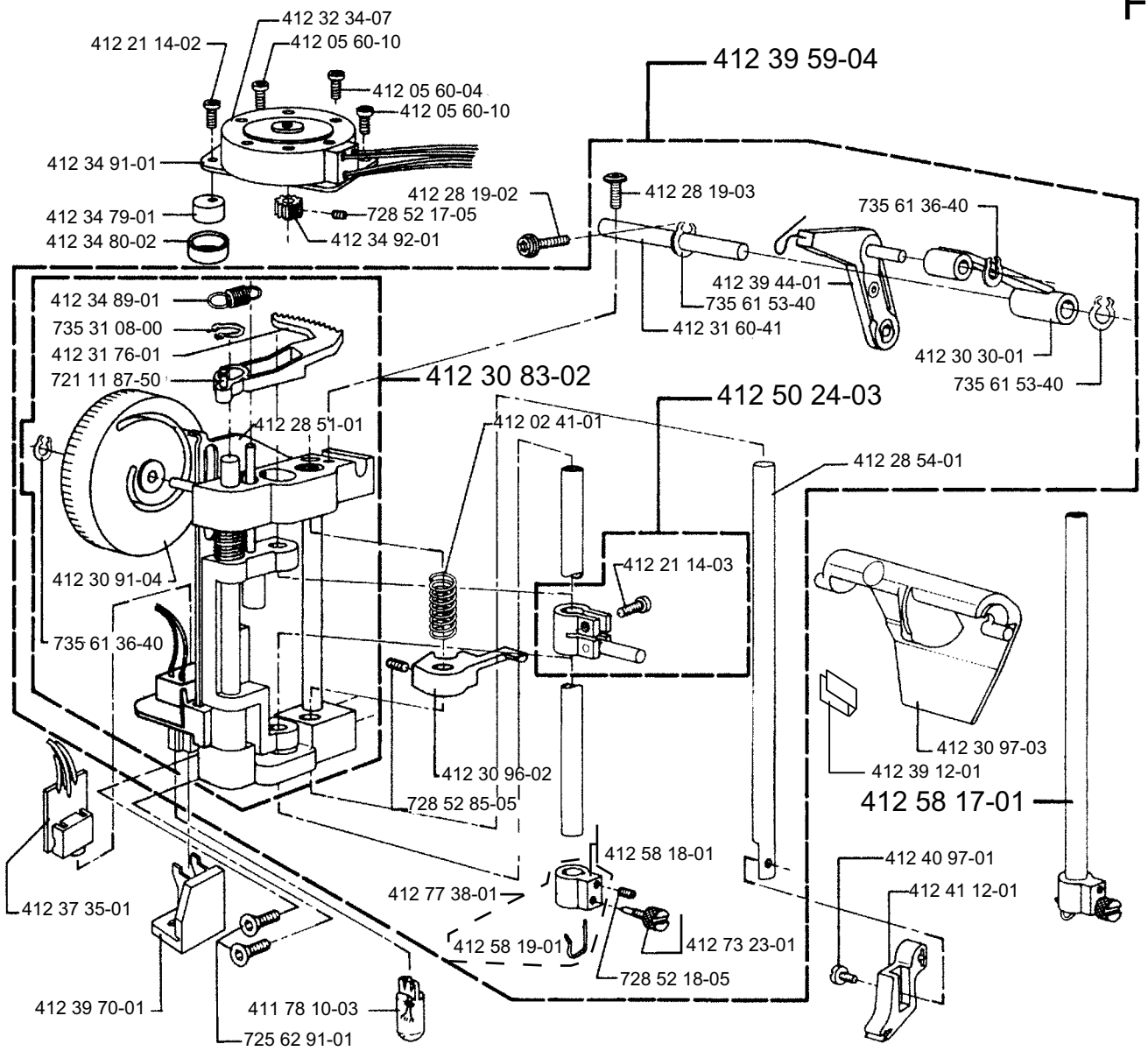
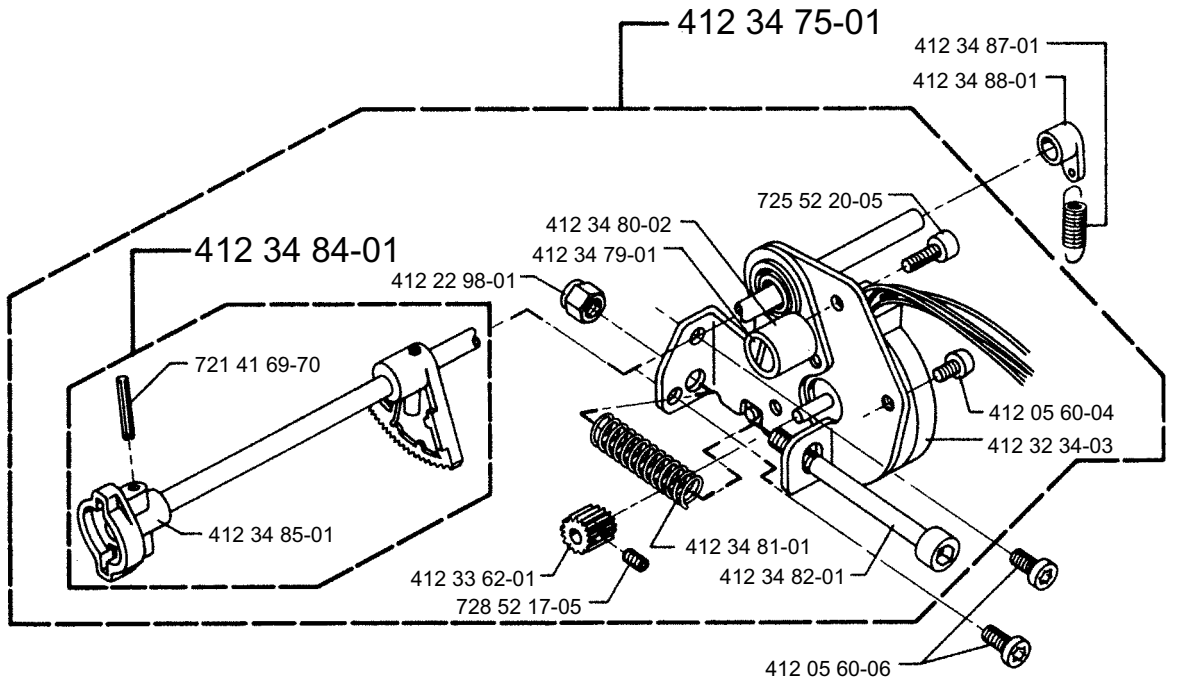
412 86 99-01	Operating man. Swe	K
412 86 99-06	Operating man. Dan	K
412 86 99-11	Operating man. Fin	K
412 86 99-21	Operating man. Nor	K
412 86 99-26	Operating man. Eng	K
412 86 99-31	Operating man. Fra	K
412 86 99-36	Operating man. Dutch	K
412 86 99-41	Operating man. Ita	K
412 86 99-46	Operating man. Spa	K
412 86 99-51	Operating man. Ger	K
412 86 99-56	Operating man. Russia	K
412 86 99-82	Operating man. Pol	K
412 86 99-90	Operating man. Chz	K

A



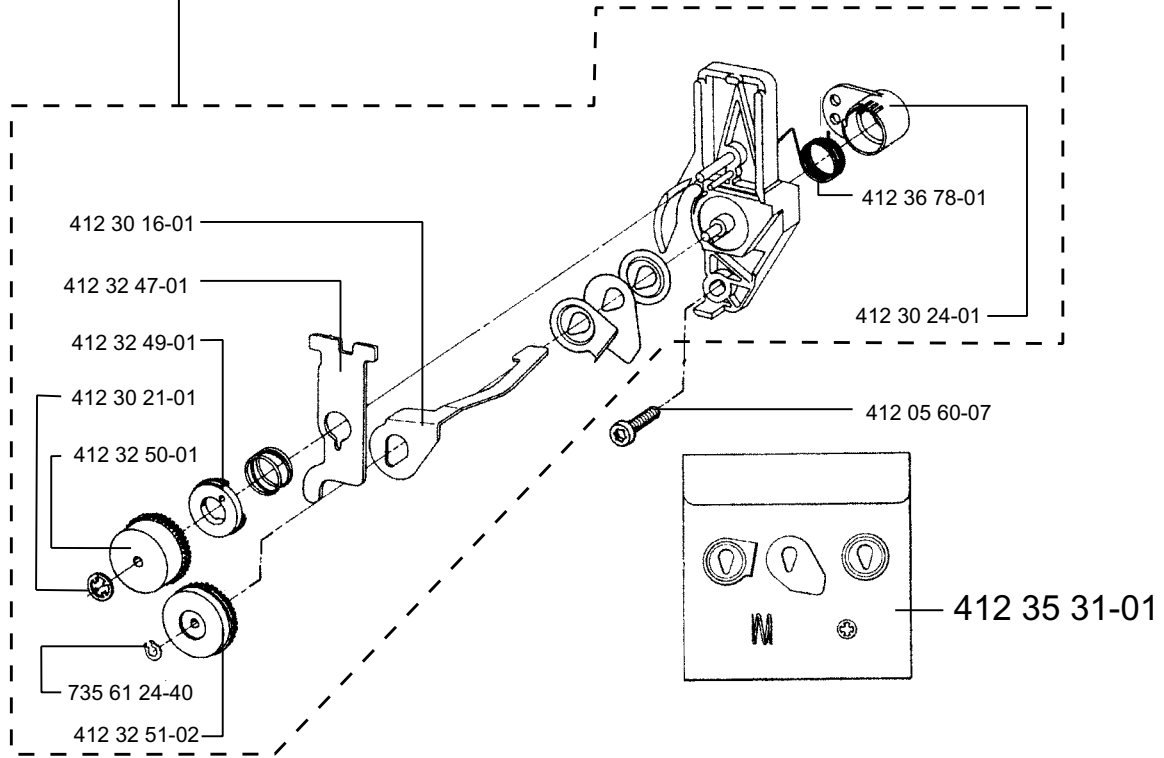


C**D**



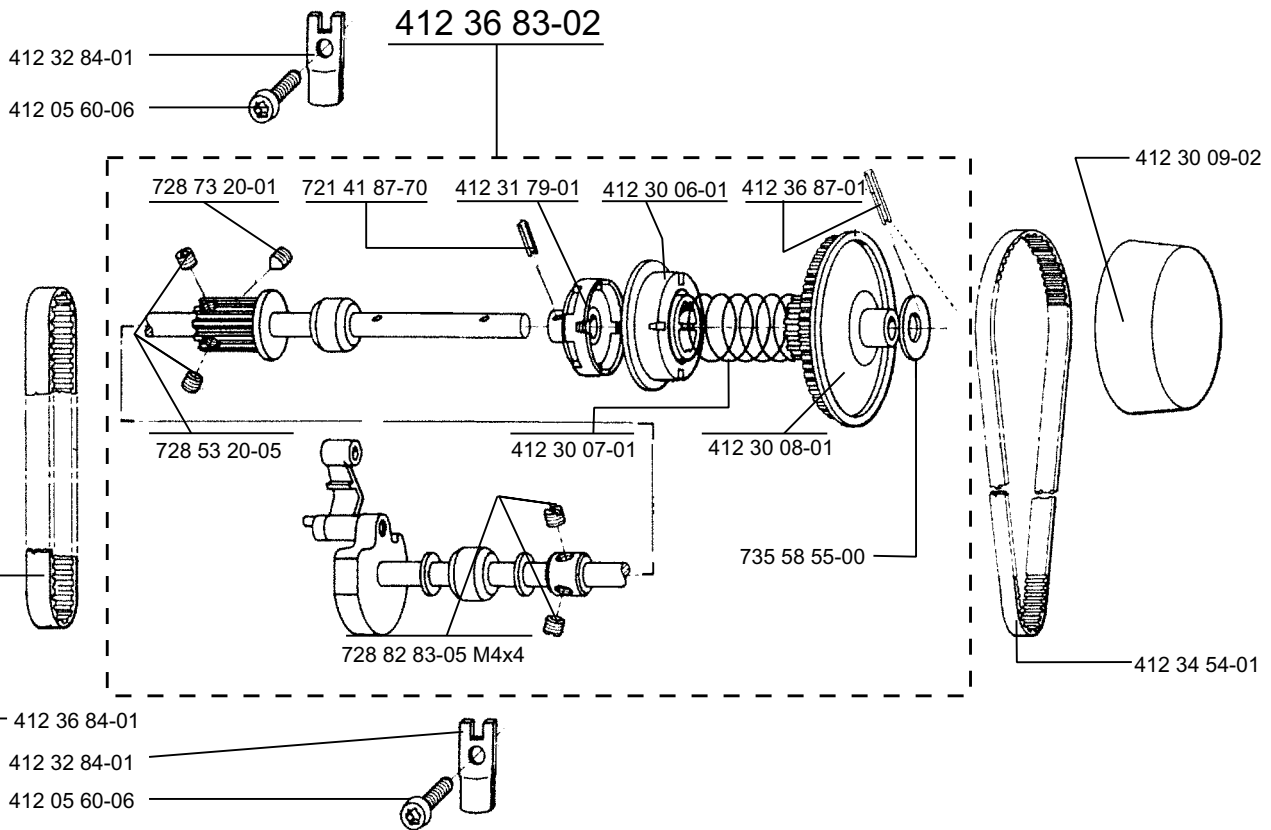
G

412 32 45-03

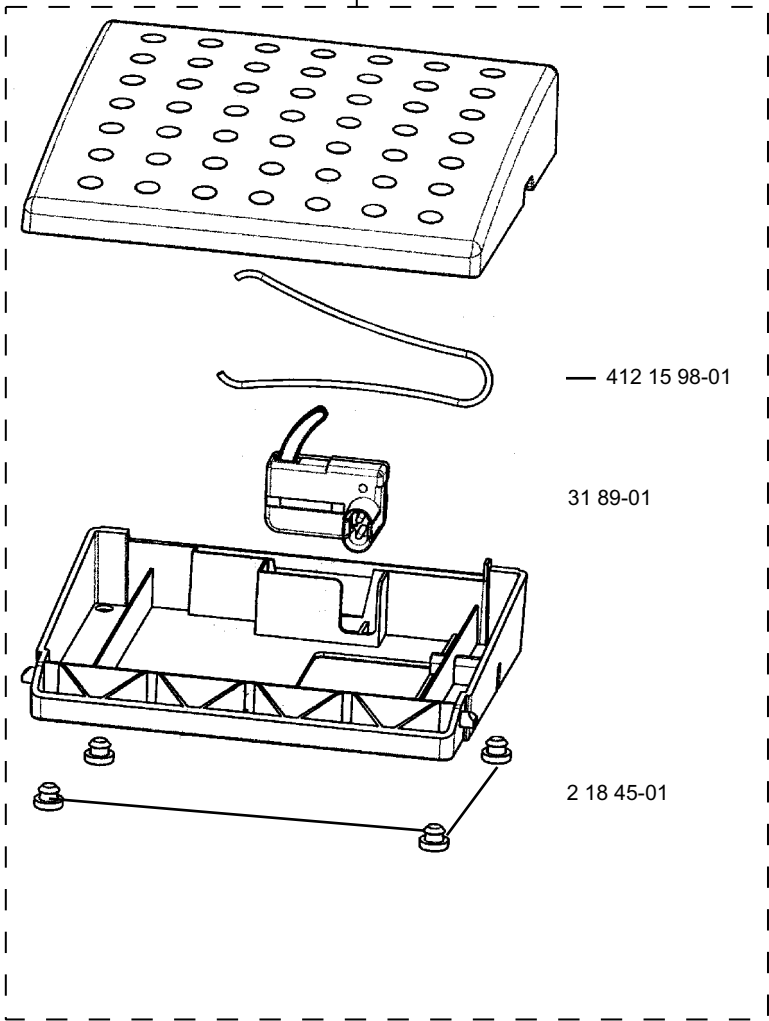


H

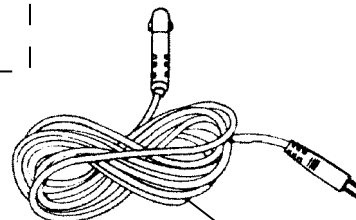
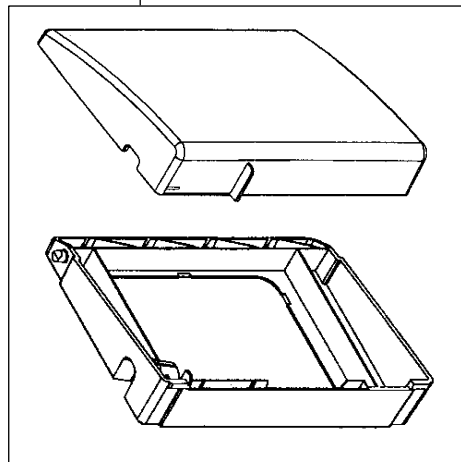
412 36 83-02



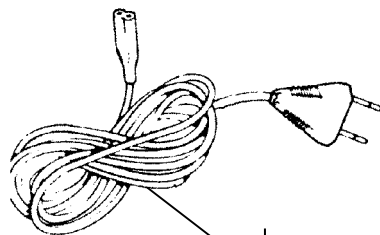
412 77 34-01



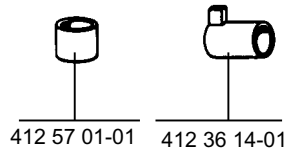
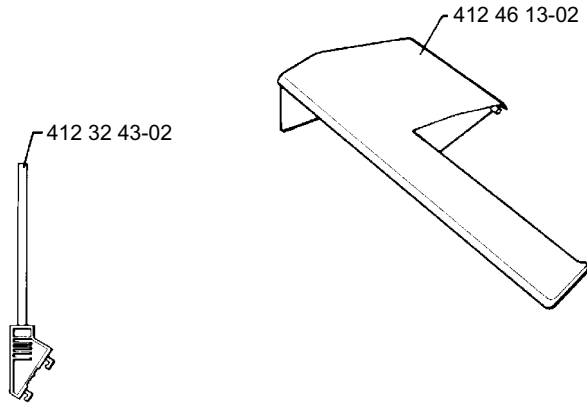
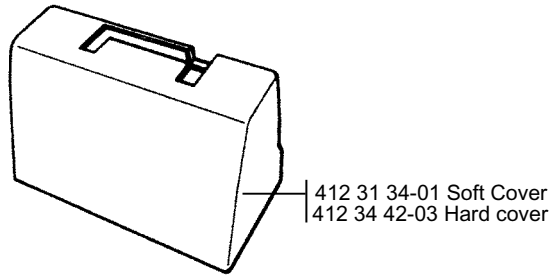
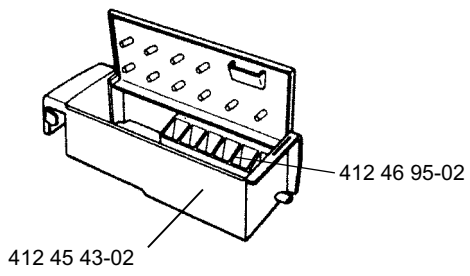
412 80 24-01



412 31 44-01
412 31 44-02



412 15 78-01
412 15 79-03
412 15 80-02
412 15 81-01



ACCESSORIES



412 35 31-01
Thread tension
set

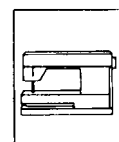


412 77 64-06
Plastic bag
with access.



412 56 15-45
Plastic bobbins
10 pac.

OPERATING MANUALS



Users Guide
412 86 99-01,06,11
21,26,31,36,41,46,51
56,82,90