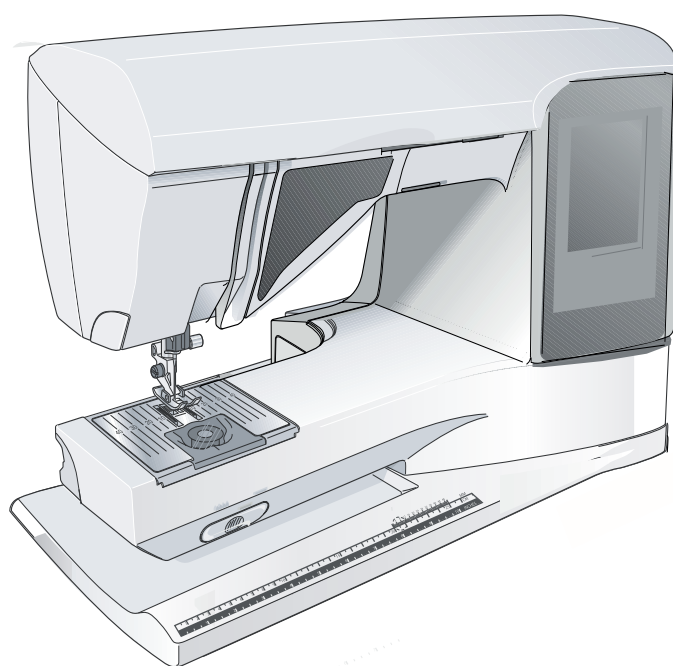


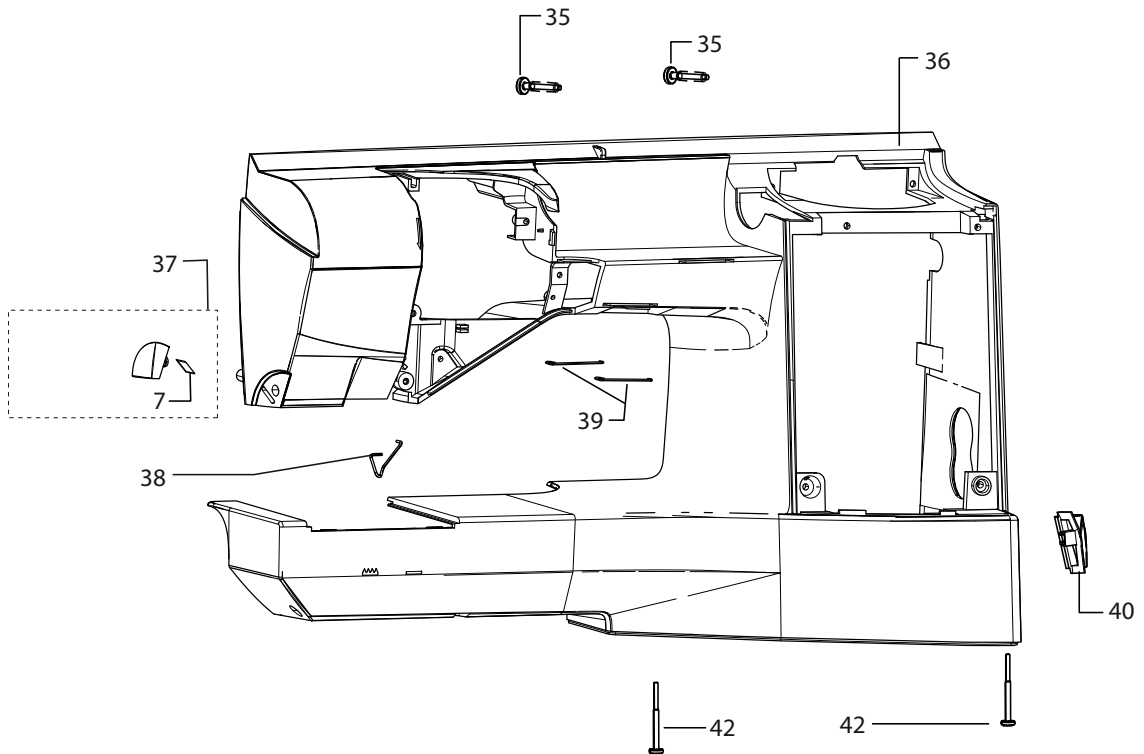
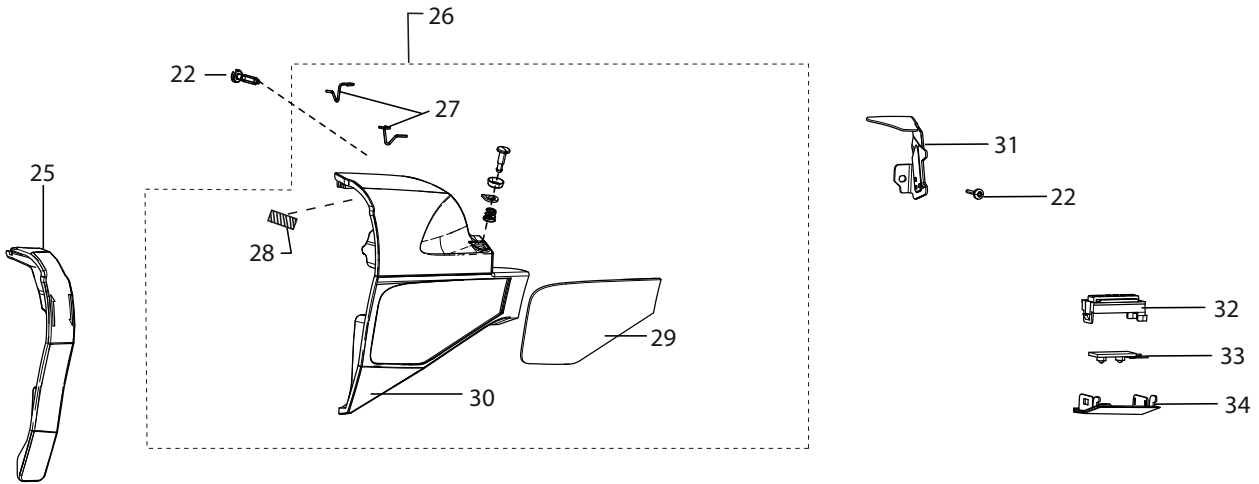
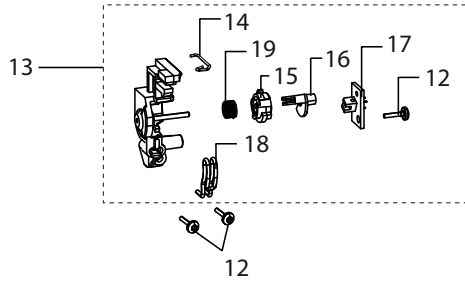
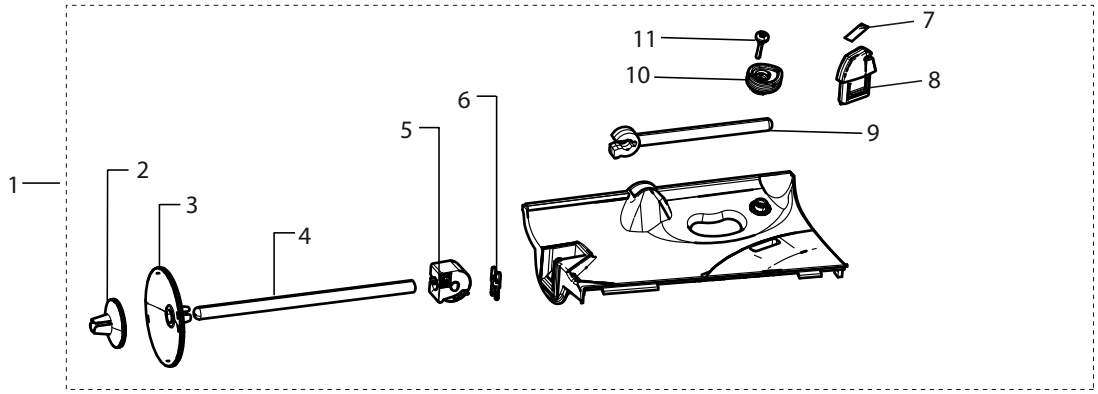
Parts list



Sapphire™ 960Q

Sapphire 960

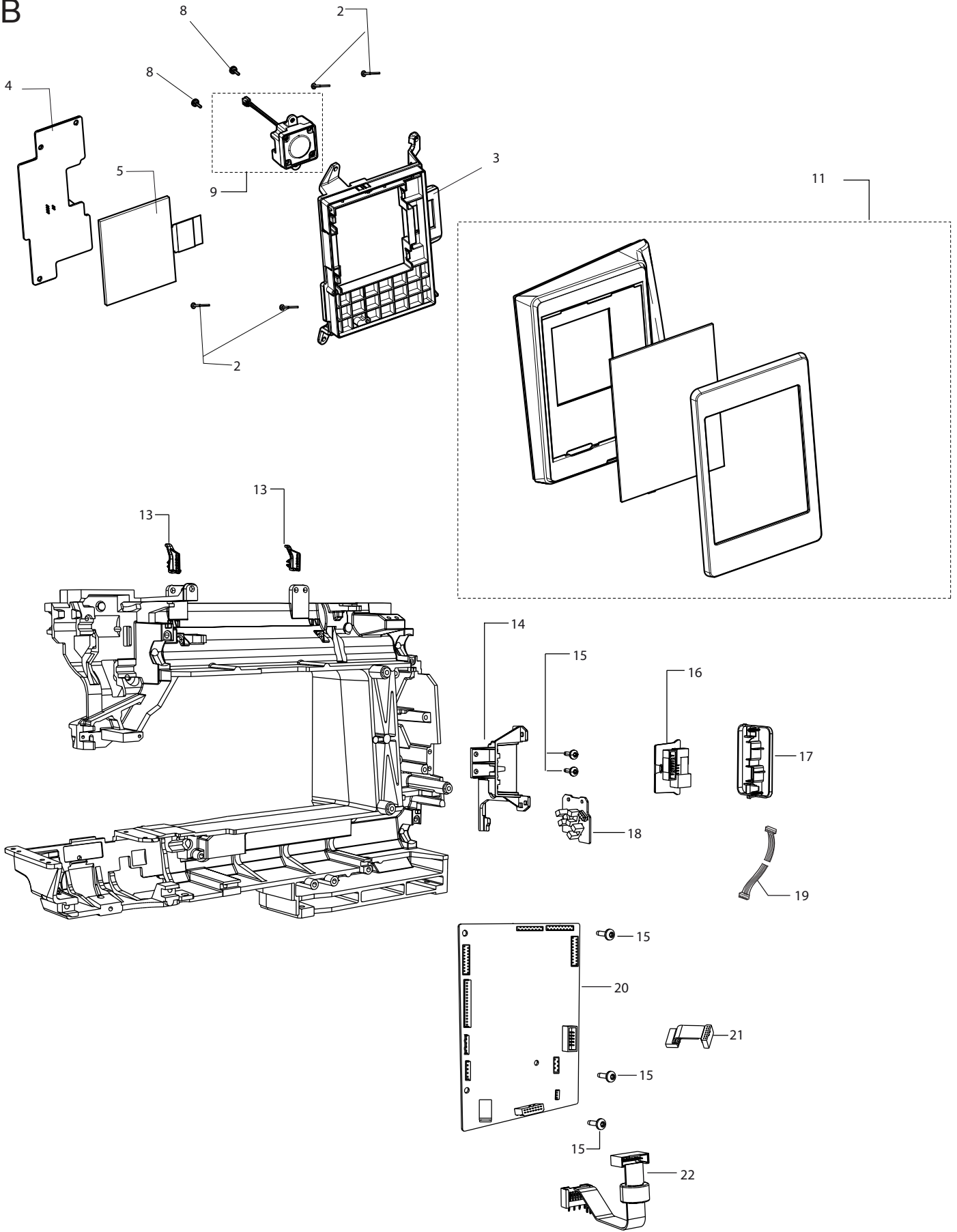
A



1	412960101	COVER, BOBIN WIN. CPL NO MOTOR
2	413051602	SPOOL HOLDER 35 MM
3	413051603	SPOOL HOLDER 45MM
4	412521001	REEL PIN
5	412960301	GUIDE, REEL PIN
6	413060201	THREAD GUIDE
7	412423701	THREAD CUTTER
8	413022501	COVER THREAD KNIFE CPL WIN. AV.
9	412960401	THREAD REEL PIN
10	412979601	WINDING STOP
11	411966803	SCREW PT 30*12 FZB
12	411966820	SCREW 30*10 FZB KOMBITORX
13	413004005	THREAD SENSOR CPL.
14	413004501	THREAD CONTROL, THREAD SENSOR
15	413004301	ADJUSTING SLEEVE
16	413004402	SENSOR THREAD TENSION
17	413017602	THREAD SENSOR ASSEMBLY
18	412519301	THREAD GUIDE
19	412519202	CHECK SPRING
25	413047602	THREAD GUIDE
26	412970012	THREAD TENSION COVER
27	412981602	THREAD GUIDE
28	413233501	BRUSH SEAL
29	413358402	KEYBOARD, SEWING HEAD
30	413312201	THREAD TENSION COVER HV MOTOR
31	412981302	THREAD GUIDE CPL.
32	413208501	LED HOLDER
33	413354601	LED UNIT
34	413208601	LED GLASS
35	411966810	SCREW PT 40*20 FZB TORX
36	413214303	FRONT COVER
37	413022001	COVER THREAD KNIFE CPL. HV AV.
38	413124601	THREAD SUPPORT
39	412558001	THREAD SUPPORT
40	413212004	STYLUS HOLDER
42	411966812	SCREW 40*40 FZB TORX

Sapphire 960

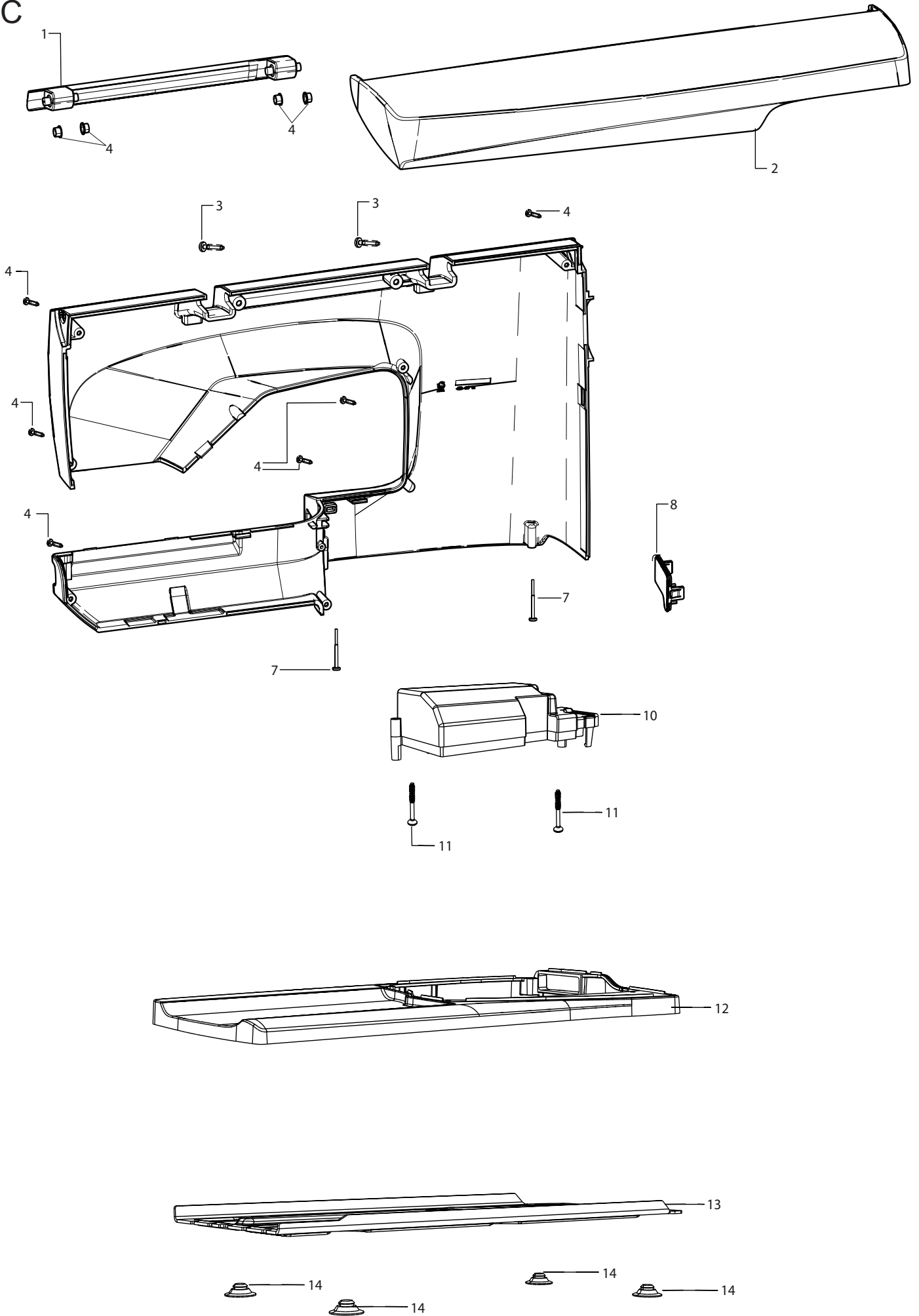
B



2	411966805	SCREW PT 30*20 FZB TORX
3	413315601	DISPLAY BRACKET
4	413340602	APPLICATION BOARD
5	413309601	DISPLAY
8	411966823	SCREW PT 30*7,5 FZB TORX
9	413050003	LOUDSPEAKER BOX CPL.
11	413313603	PANEL CPL.
13	413024201	CABLE CLAMP
14	413025007	HOLDER
15	412056006	SCREW TAPTITE M4*12 TORX
16	413355601	USB BOARD
17	413024802	COVER, USB DUAL
18	412986401	SENSOR BOARD, ASS.
19	412546913	CABLE ASSEMBLY (6P)
20	413249246	CONTROL BOARD
21	413108801	CABLE, USB
22	412349703	CABLE TRANSF-CONTROL BOARD

Sapphire 960

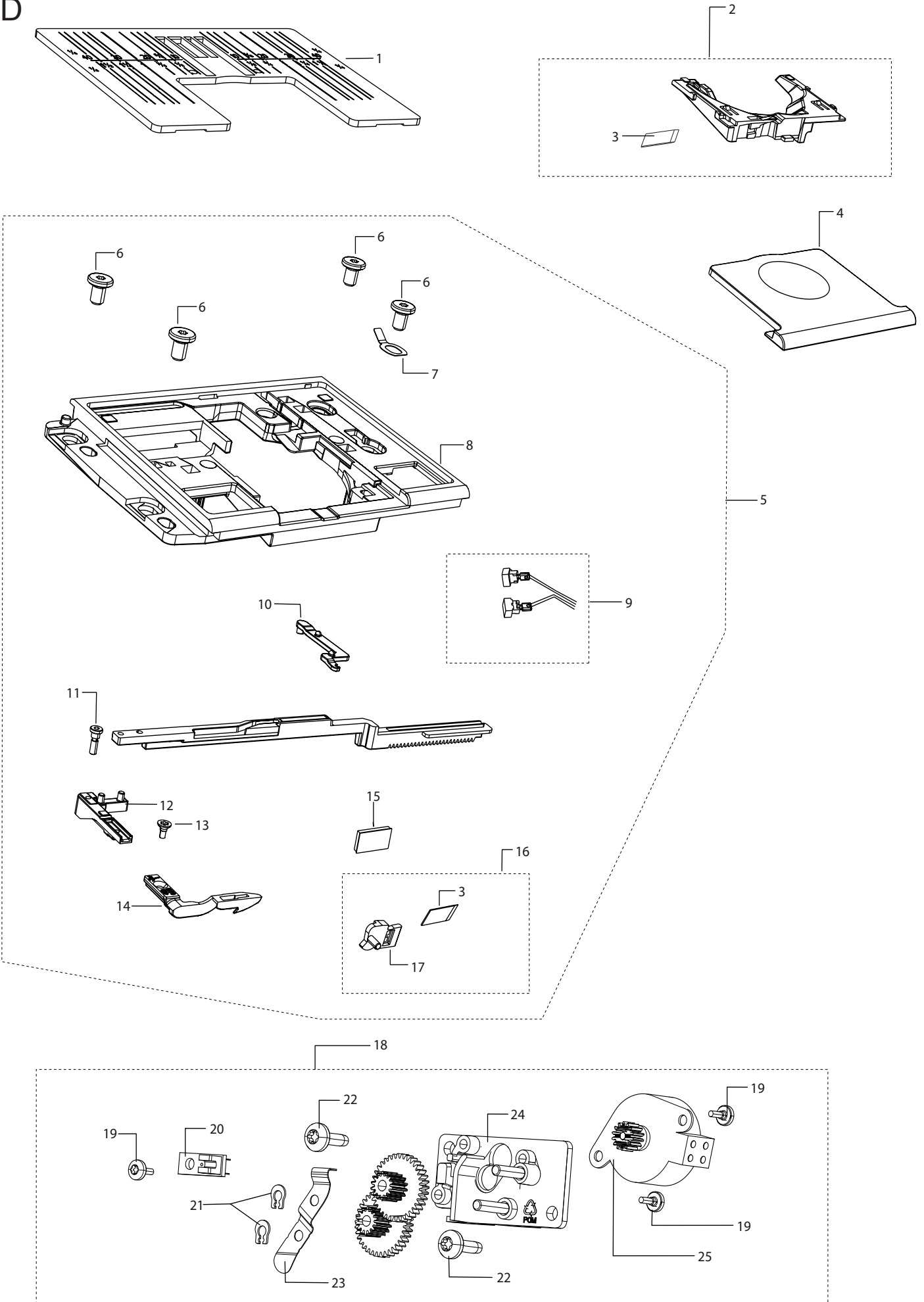
C



1	412954701	HANDLE
2	413324703	LID
3	411966810	SCREW PT 40*20 FZB TORX
4	412700001	BUSHING
5	412959101	BACK, COVER
7	411966812	SCREW PT 40*40 FZB TORX
8	412966201	LID XY
10	413390102	POWER SUPPLY CPL.
11	411967107	SCREW PT FS 40*35 FZB TORX
12	412959202	BOTTOM COVER
13	412954501	BOTTOM PLATE
14	412305001	BASEPLATE RUBBER FOOT

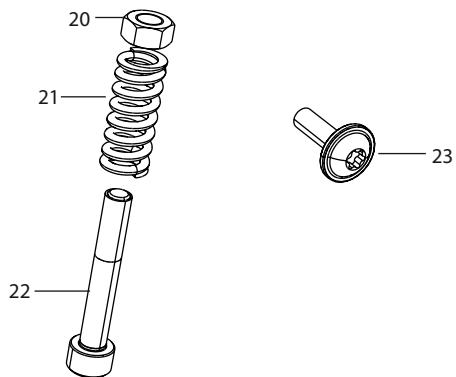
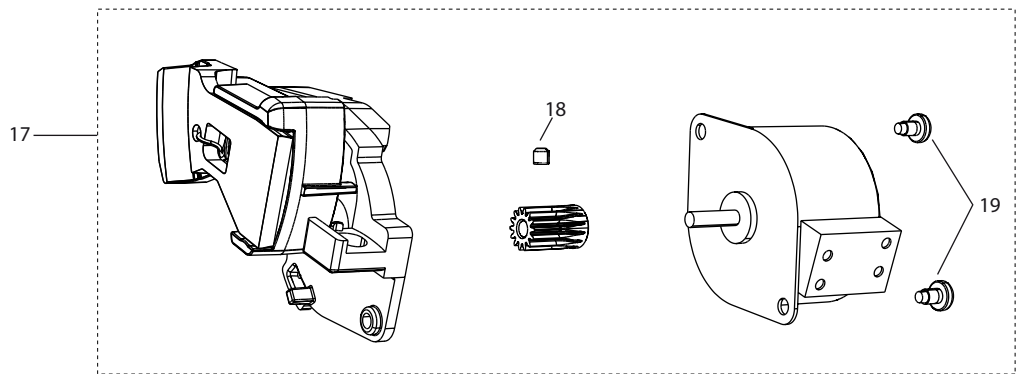
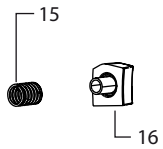
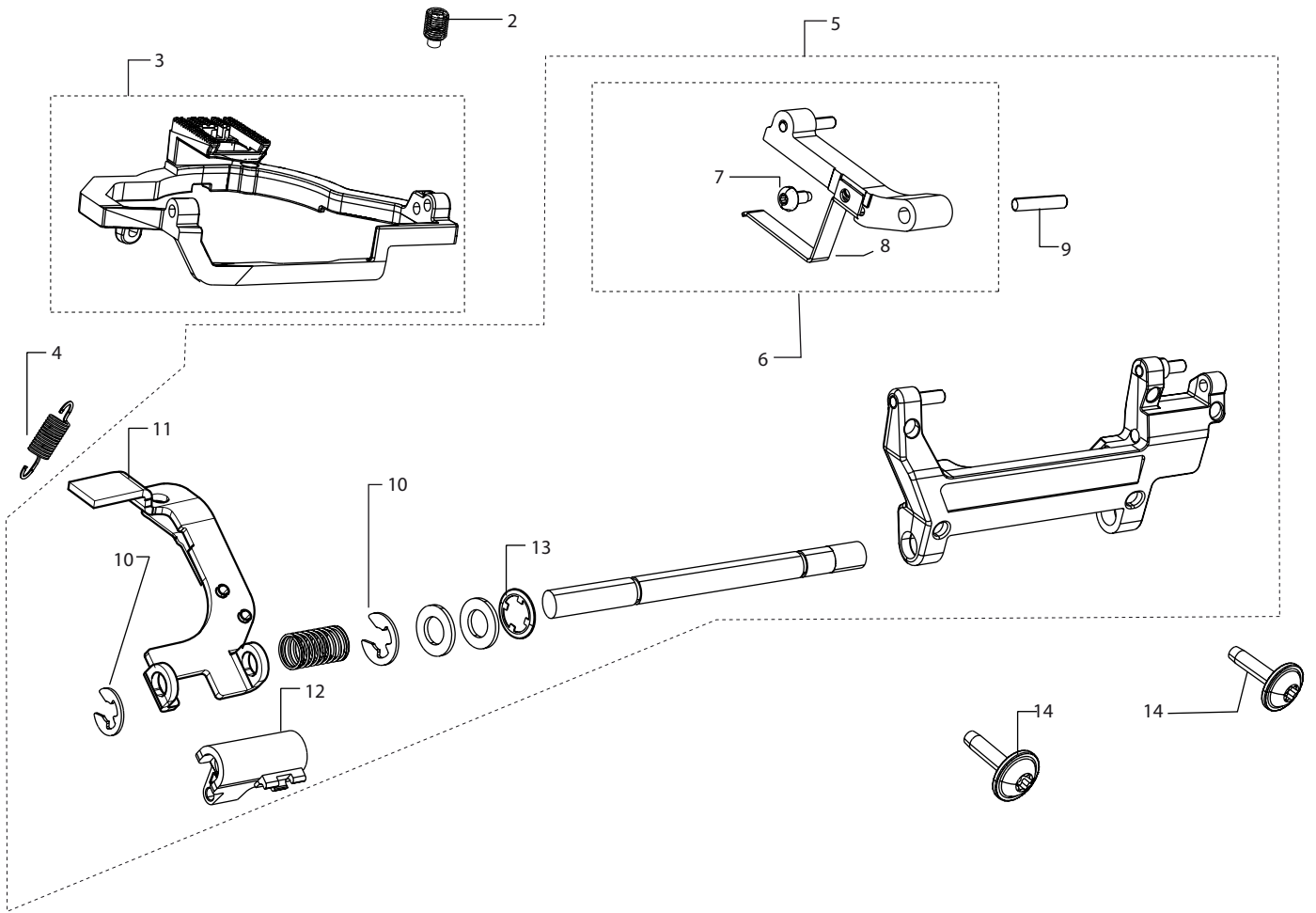
Sapphire 960

D



1	412964204	STITCH PLATE HV MM
2	413025601	BOBBIN CASE HOLDER CPL
3	412423701	THREAD CUTTER
4	412963901	BOBBIN COVER
5	412964004	HOOK COVER CPL ST.PLATE SENSOR
6	412287903	SCREW
7	412997701	ESD SPRING, STITCH PLATE
8	412964105	HOOK COVER
9	413101502	CABLE ASS.BOBBIN SENSOR
10	413007301	FETCHER UPPER THREAD
11	413010001	GUIDE PIN
12	413072201	CONNECTING PART, FETCHER
13	412280501	SCREW, COUNTERSUNK
14	413007101	FETCHER
15	413116701	THREAD BRAKE
16	413047301	KNIFE HOLDER CPL.
17	413007701	KNIFE HOLDER
18	413007402	STEPPING MOTOR CPL.
19	411966828	SCREW PT 30*6 FZB TORX
20	413072501	CUT SENSOR ASS.
21	735612440	COMPRESSION RINGS Ø3
22	412056006	SCREW TAPTITE M4*12 TORX
23	413007601	GUIDE GEAR RACK
24	413353001	MOTOR PLATE CPL.
25	413004601	STEPPING MOTOR

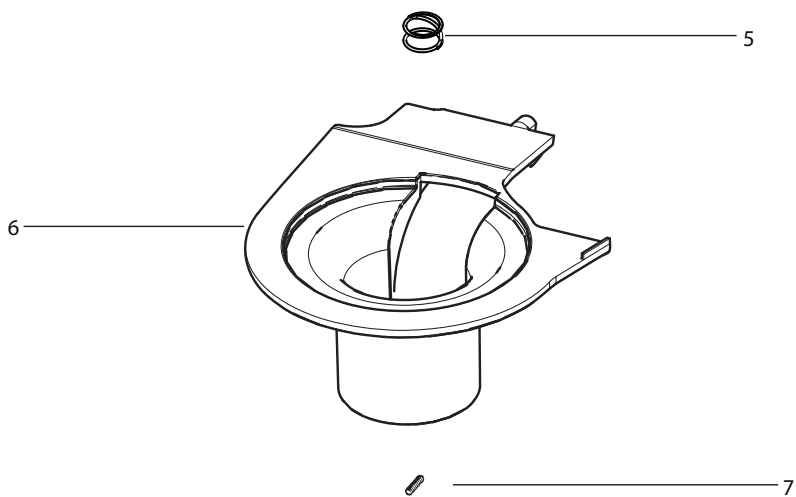
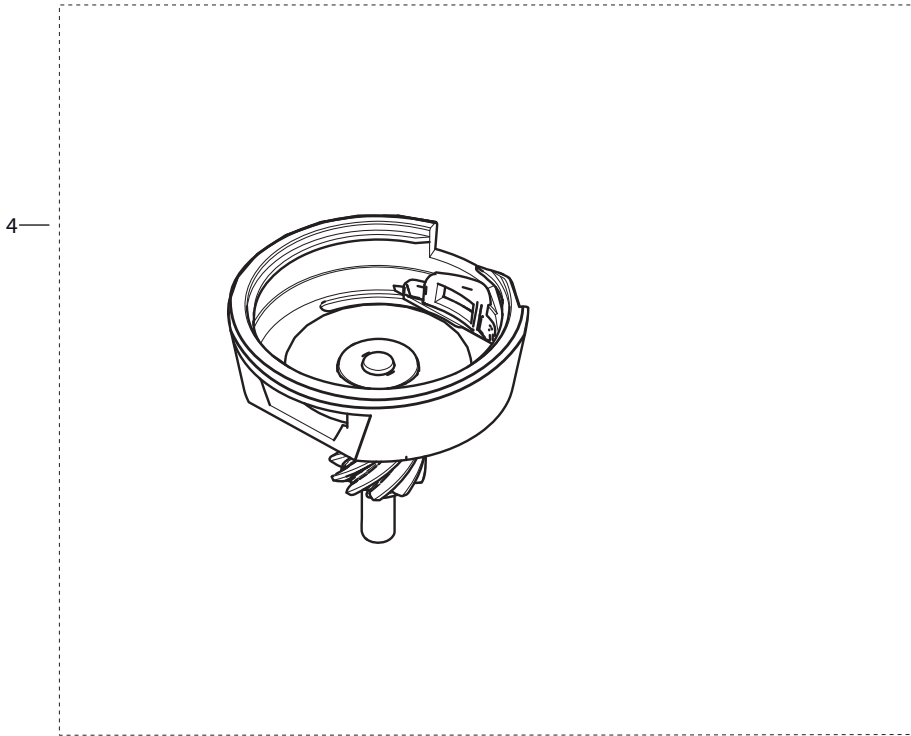
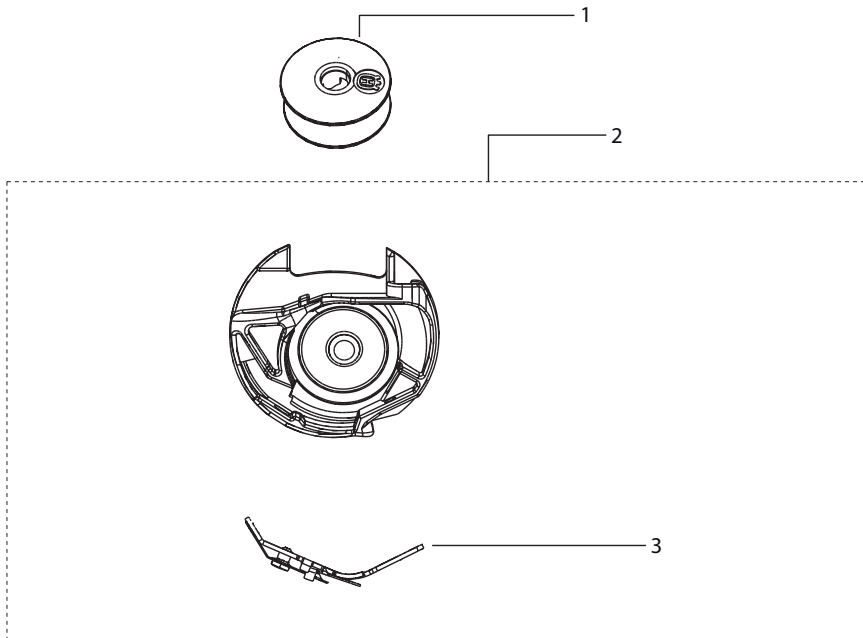
E



2	413201201	ADJUSTMENT SCREW, FEEDER
3	413201302	FEED DOG CPL.
4	413270001	TENSION SPRING, FRAME FEED DOG
5	413269014	CARRIGE FEED CPL.
6	412961602	LINK, CARRIAGE FEED CPL.
7	412056004	SCREW TAPTITE M3*6 TORX
8	412961501	SPRING, FEED
9	412316023	INA PIN NRB 4*19,8 0-2UM
10	735310920	SNAP RING E-5
11	413200901	LEVER FEED LIFT CPL.
12	413034201	INSERT, LEVER FEED LIFT
13	412368001	LOCK WASHER
14	413169401	COLLAR SCREW TT TORX 4*14
15	412961701	SPRING, SLIDING BLOCK
16	412961801	BLOCK, GUIDE
17	412963501	STEPPING MOTOR UNIT, FEED
18	411968703	SET SCREW FLAT, M3*3 TORX
19	412056011	SCREW TAPTITE M3*5 TORX
20	413025401	NUT M5*0,5
21	412963601	SPRING
22	412963701	SCREW BALANCE ADJUSTMENT
23	413034402	COLLAR SCREW M4*10, LEFT HAND

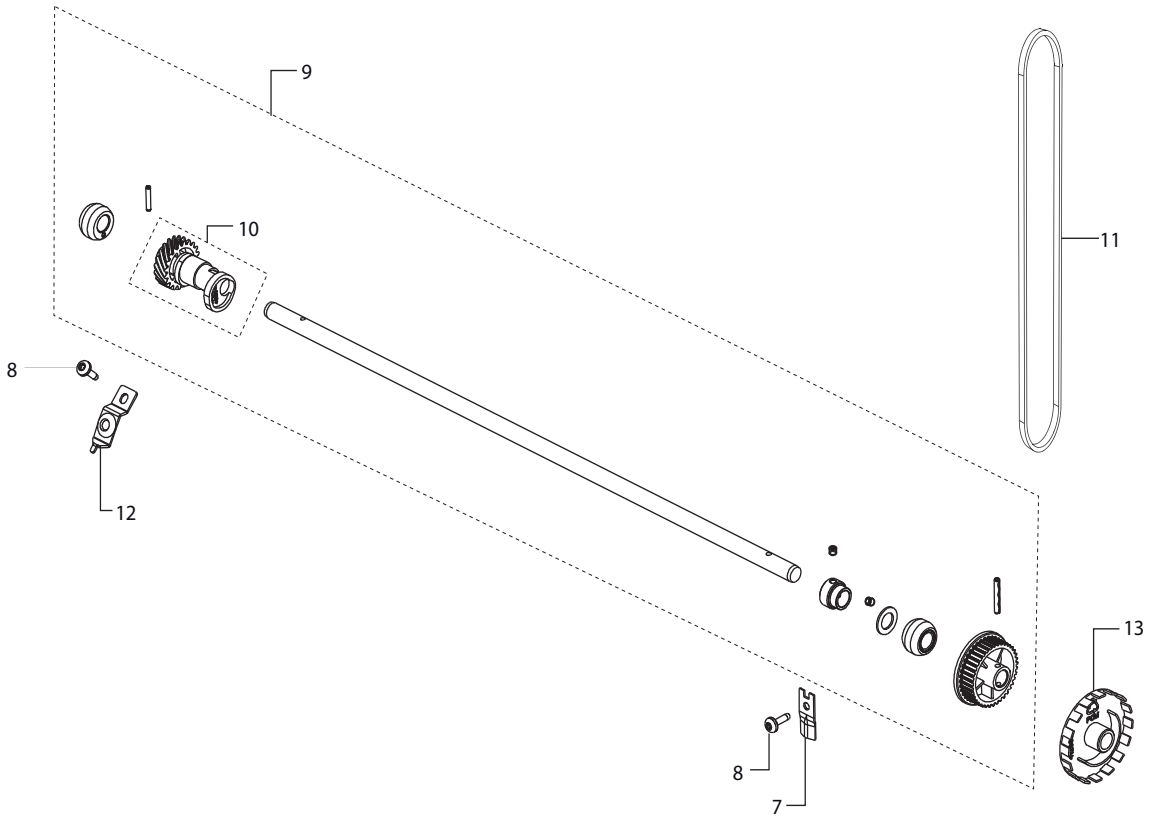
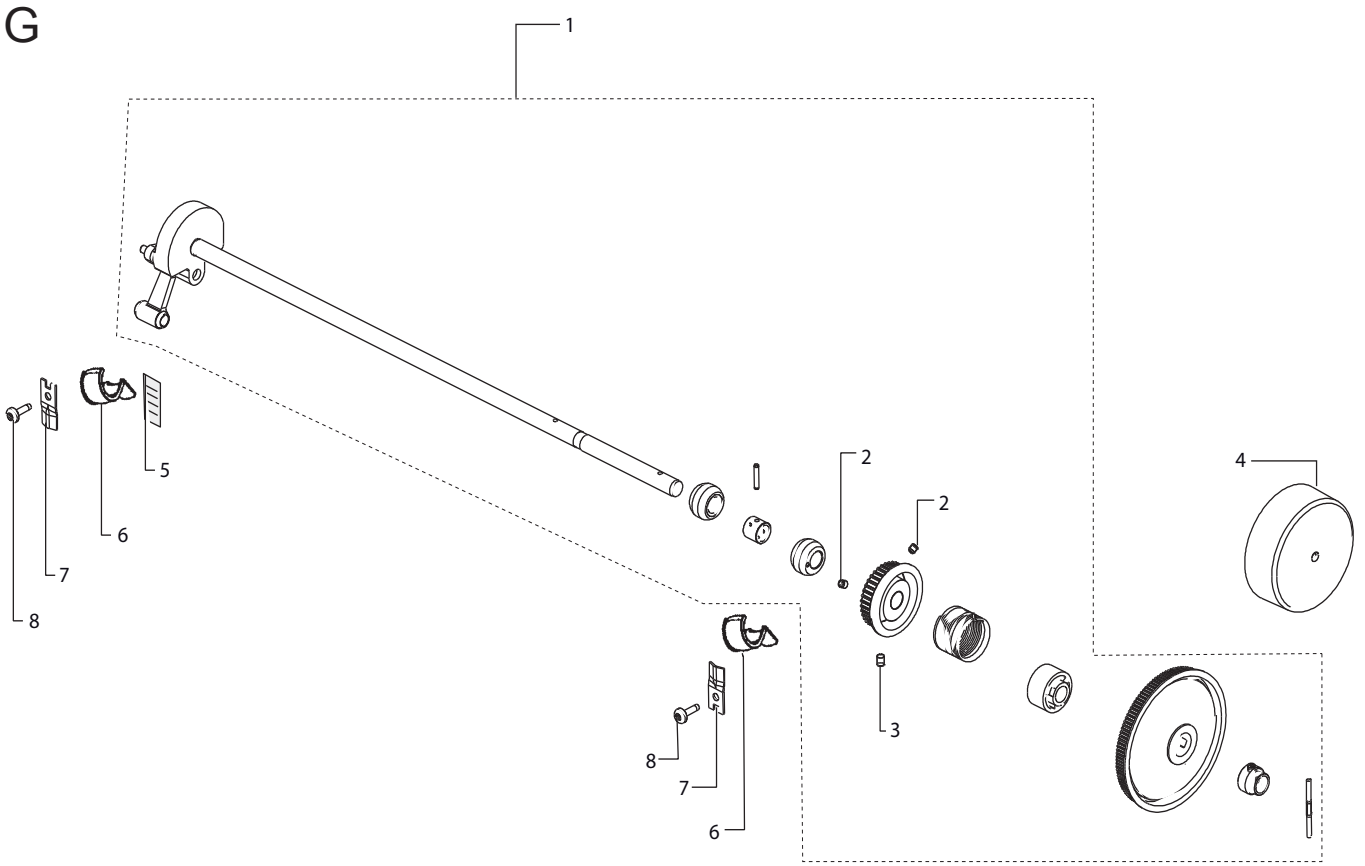
F

Sapphire 960



1	413182545	BOBBIN HV, GREEN
2	413058903	BOBBIN CASE CPL.
3	412471601	THREAD TENSION CPL.
4	412876902	HOOK CPL WITH SHAFT
5	412930101	SPRING, HOOK
6	412964502	DUST COVER
7	728528705	SCREW M4*8

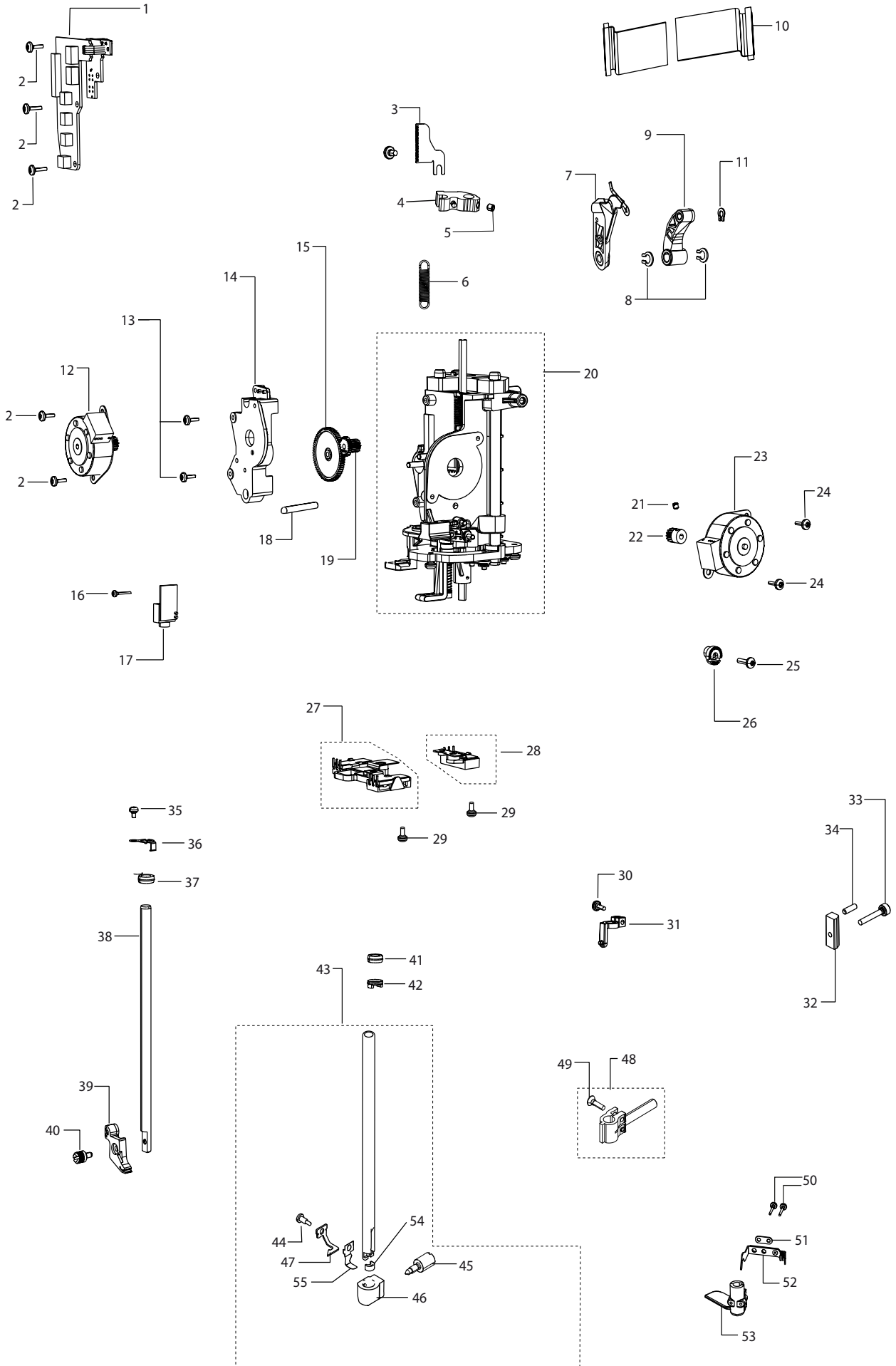
Sapphire 960



1	412966708	UPPER SHAFT CPL.
2	411968706	SET SCREW FLAT, M4*4 TORX
3	411968807	SET SCREW POINTED M4*6 TORX
4	412954601	HAND WHEEL
5	412687601	GROUND TAPE
6	412558401	ABSORBER
7	412328401	CLAMP
8	412056006	SCREW TAPTITE M4*12 TORX
9	412967903	LOWER SHAFT CPL.
10	412964403	ECCENTRIC FEED CPL.
11	413020301	COG BELT UPPER-LOWER SHAFT
12	412318101	CLAMP LOWER SHAFT
13	412968101	SHIELD, REVOLUTION INDICATOR

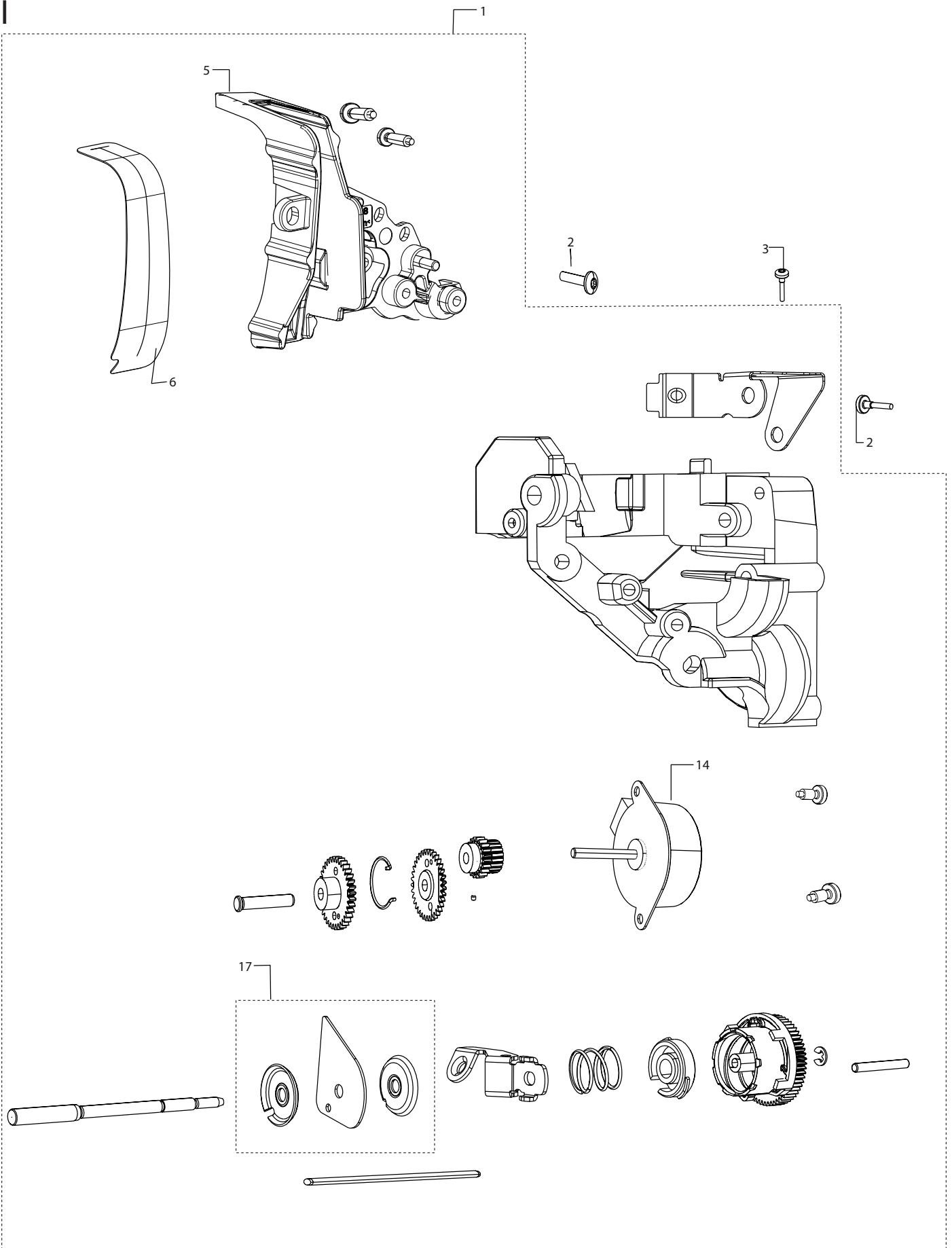
Sapphire 960

H



1	413353801	CONN.BOARD SERVO SENS.
2	413019001	SCREW PT 30*7,5 FZB TORX
3	412973901	SHIELD, PRESSERFOOT SERVO
4	413261601	GUIDE, SERVO CPL.
5	411968706	SET SCREW FLAT, M4*4 TORX
6	413137602	SPRING, PRESSERFOOT PRESSURE
7	413300302	TAKE UP LEVER CPL. WITH LINK
8	735615340	COMPRESSION RINGS Ø6
9	413047401	LINK
10	412546912	CABLE ASSEMBLY (18P)
11	735613640	COMPRESSION RINGS Ø4
12	413005901	STEPPING MOTOR CPL.
13	411966820	SCREW 30*10 FZB KOMBITORX
14	412974201	GEARHOUSE, SERVO
15	412974401	GEARWHEEL, SERVO SEC
16	411966821	SCREW PT 18*10 FZB TORX
17	413031001	BUTTONSENS. CONN. ASS.
18	412316010	INA PIN NRB 3*17,8 0-3UM
19	412974301	GEARWHEEL SERVO PRIM
20	413244201	SEWING HEAD CPL.
21	411968703	SET SCREW FLAT, M3*3 TORX
22	413057201	GEAR Z-Z
23	412993901	STEPPING MOTOR
24	411966828	SCREW PT 30*6 FZB TORX
25	412211404	SCREW M3*10 TORX
26	412966501	CALIBRATION KNOB
27	413137801	LED HOLDER, LEFT
28	413137701	LED HOLDER, RIGHT
29	412211402	SCREW M3*6 TORX
30	413019001	SCREW K 30*8 PT WN 1452 S
31	412993502	STROKE LIMITER
32	412966601	WEDGE
33	725522805	SCREW M3*16 INSEX
34	728522205	SOCKET SET SCREW FLAT POINT
35	412211401	SCREW M3*4 TORX
36	413060301	CLIPS, GABLE LOWER
37	412500601	BEARING
38	412285403	PRESSER BAR AVANTI
39	412411201	HOLDER, PRESSERFOOT
40	412409701	SCREW PRESSERSHAFT
41	412501501	BEARING 10/6,35-4
42	412504701	LOCKING DEVICE
43	68008797	NEEDLE BAR CPL.
44	413094701	SCREW THREAD GUIDE
45	413373001	SCREW NEEDLE CLAMP
46	413242301	NEEDLE CLAMP
47	68008796	THREAD GUIDE
48	412993605	CROSS HEAD CPL.
49	412280504	SCREW FS M3*10 FZB TORX
50	411966825	SCREW PT 16*8 FZB TORX
51	412876701	WASHER, NEEDLE THREADER
52	413238402	NEEDLE THREADER
53	412876801	HOLDER, NEEDLE THREADER
54	68016246	STOP, NEEDLE CLAMP
55	413304201	THREAD LOCK, NEEDLE HOLDER

Sapphire 960

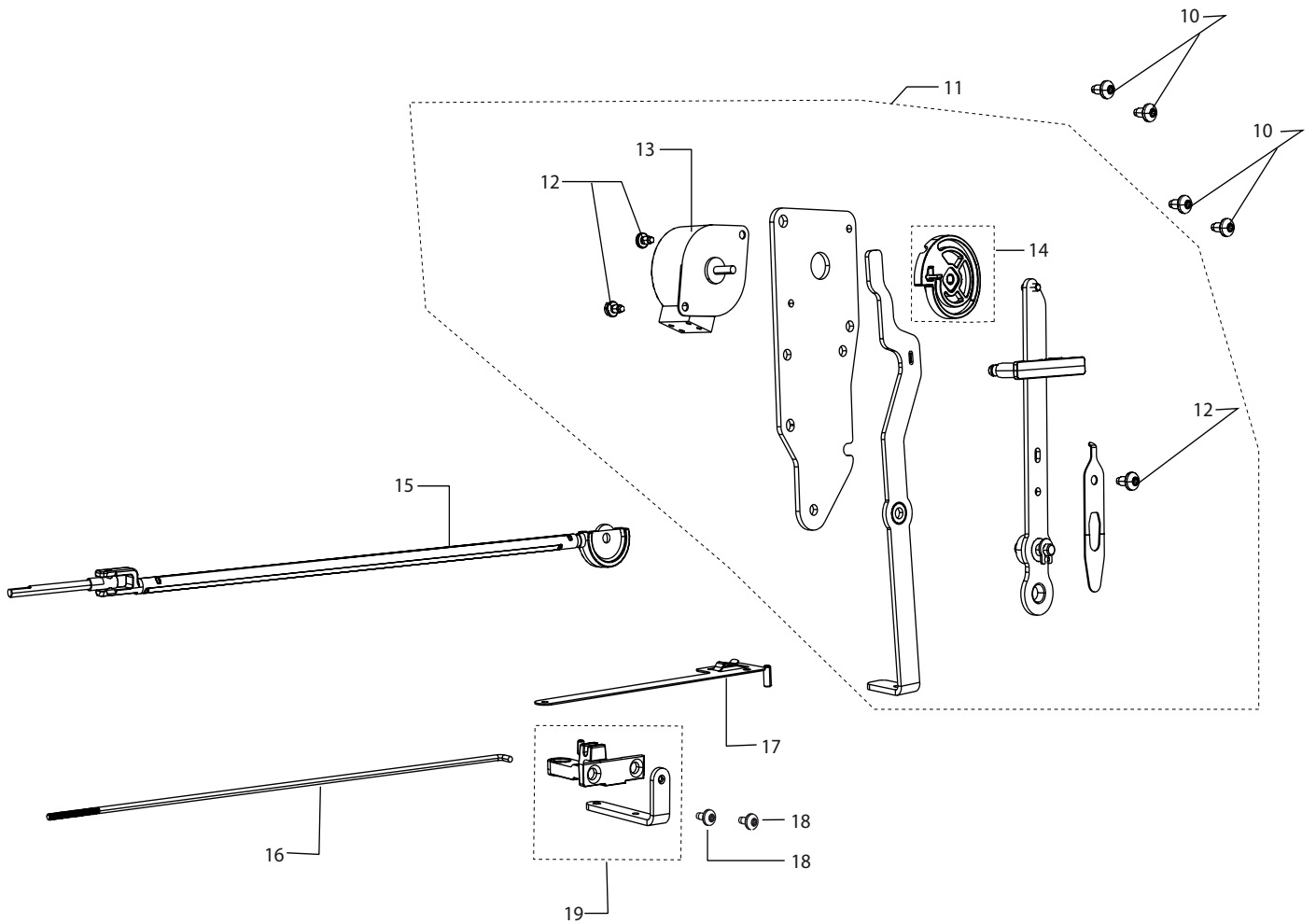
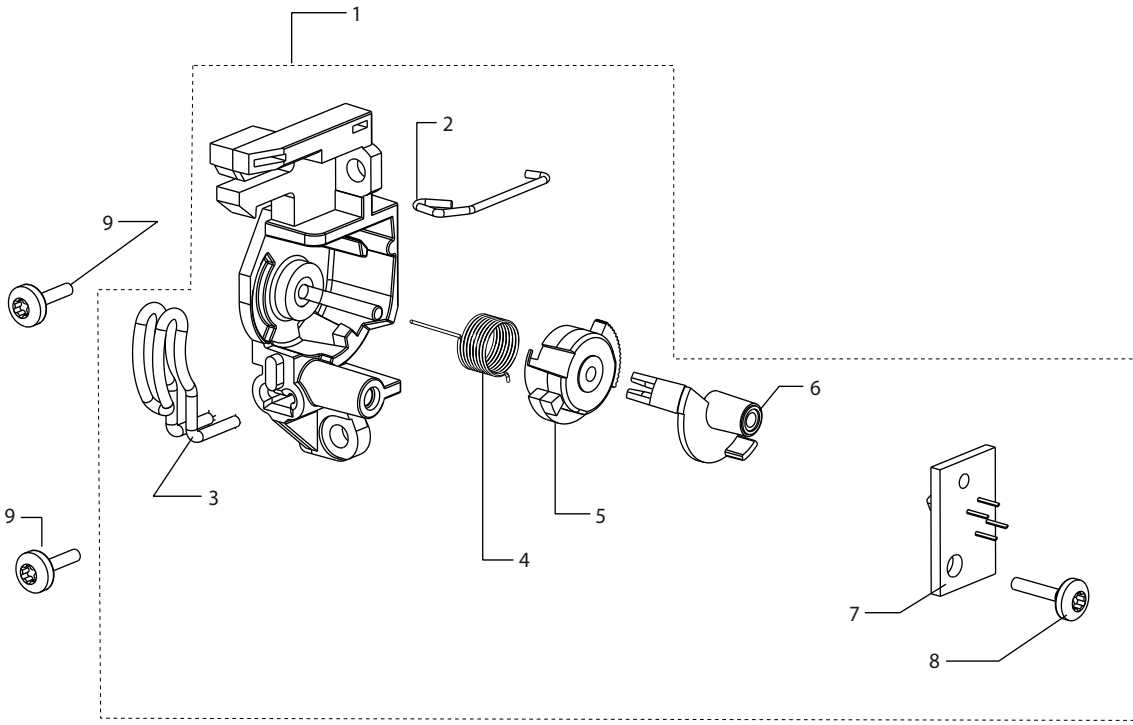


1	412940208	THREAD TENSION ASS
2	411966808	SCREW PT 40*10 FZB TORX
3	411966803	SCREW PT 30*12 FZB TORX
5	413232203	SHIELD, TAKE UP LEVER ASS.
6	413218502	SEALING, TAKE UP LEVER
14	412993903	STEPPING MOTOR
17	413106402	THREAD DISK KIT

|

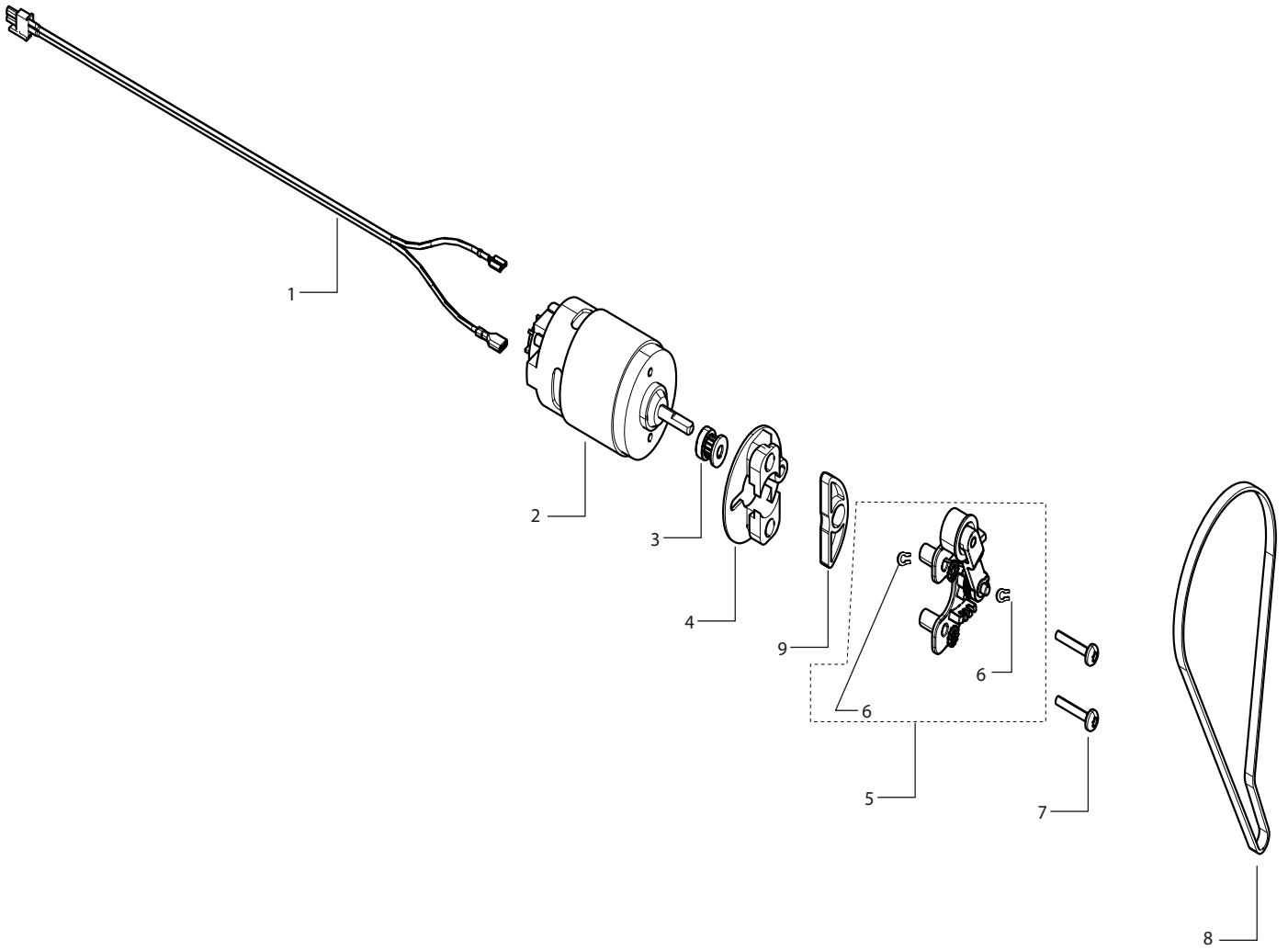
Sapphire 960

J



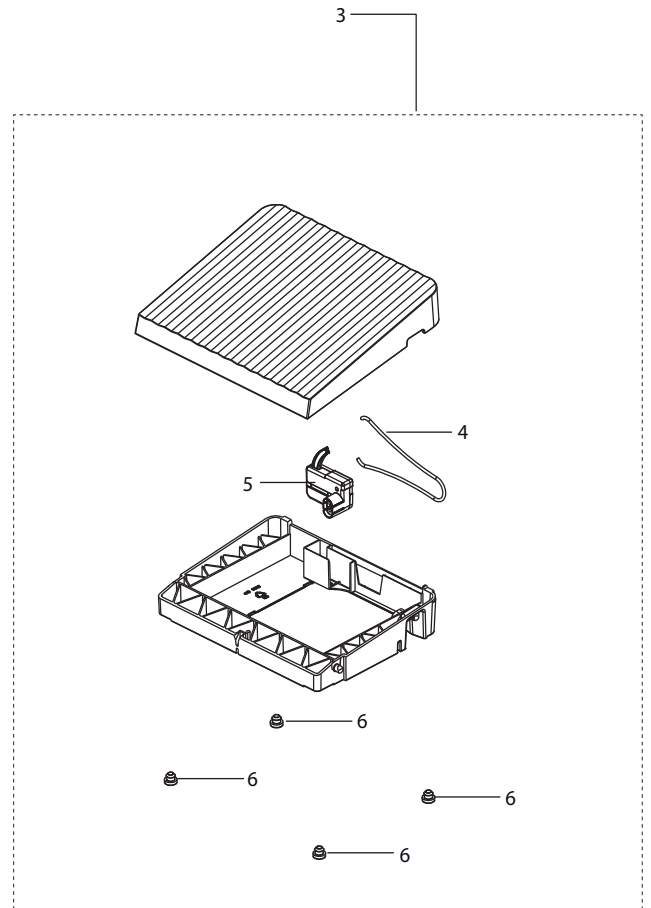
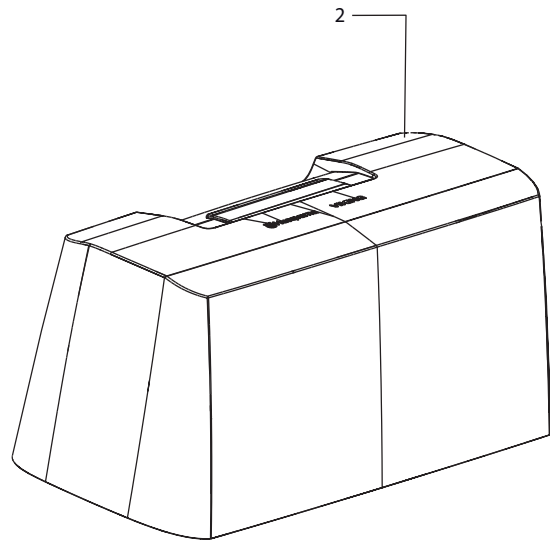
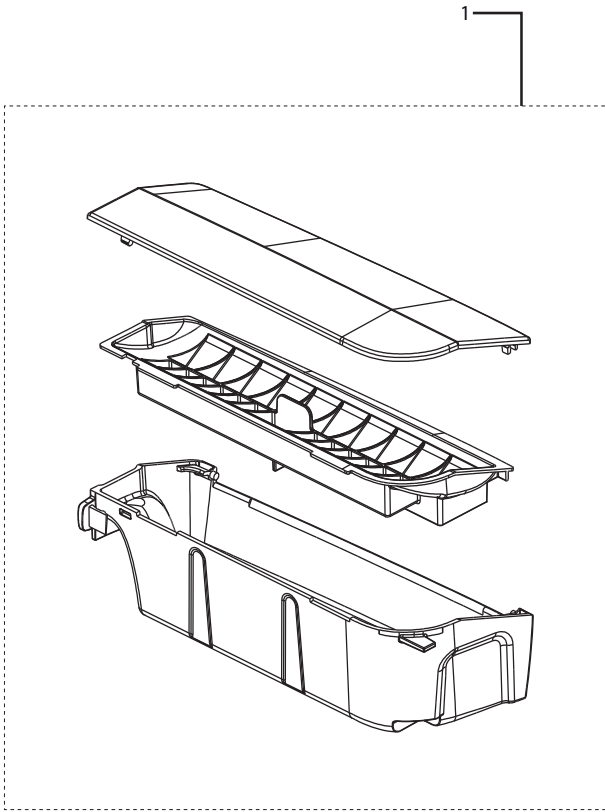
1	413004005	THREAD SENSOR CPL.
2	413004501	THREAD CONTROL, THREAD SENSOR
3	412519301	THREAD GUIDE
4	412519202	CHECK SPRING
5	413004301	ADJUSTING SLEEVE
6	413004402	SENSOR THREAD TENSION
7	413017602	THREAD SENSOR ASSEMBLY
8	411966820	SCREW 30*10 FZB KOMBITORX
9	411966803	SCREW PT 30*12 FZB TORX
10	412056006	SCREW TAPTITE M4*12 TORX
11	413060001	SIDE FEED, FEED DOG DROP CPL.
12	412056004	SCREW TAPTITE M3*6 TORX
13	412997902	STEPPING MOTOR,SIDE FEED
14	413060101	CAM WHEEL CPL.
15	413033701	PULL ROD,SIDE FEED CPL.
16	413034101	PULL WIRE, FEED DOG DROP
17	413033401	TRANSM LINKAGE, FEED DOG DROP
18	411967212	SCREW TAPTITE FS M4*12 TORX
19	413034501	LINKAGE UNIT, FEED DROP

K

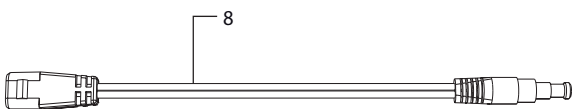
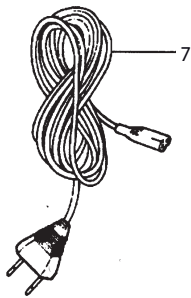


1	413056901	CABLE MAIN MOTOR
2	9233011191000	ENGINE DOMEL
3	412353302	DRIVING WHEEL MOTOR 350,400,500
4	412999901	RUBBER DAMPER, MOTOR
5	412971902	BELT STRETCHER CPL.
6	735613640	COMPRESSION RINGS Ø4
7	412211415	SCREW M4*20 TORX
8	413020201	COG BELT MOTOR
9	413317201	SPACER BLOCK MOTOR

L

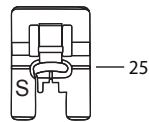
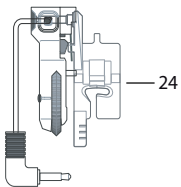
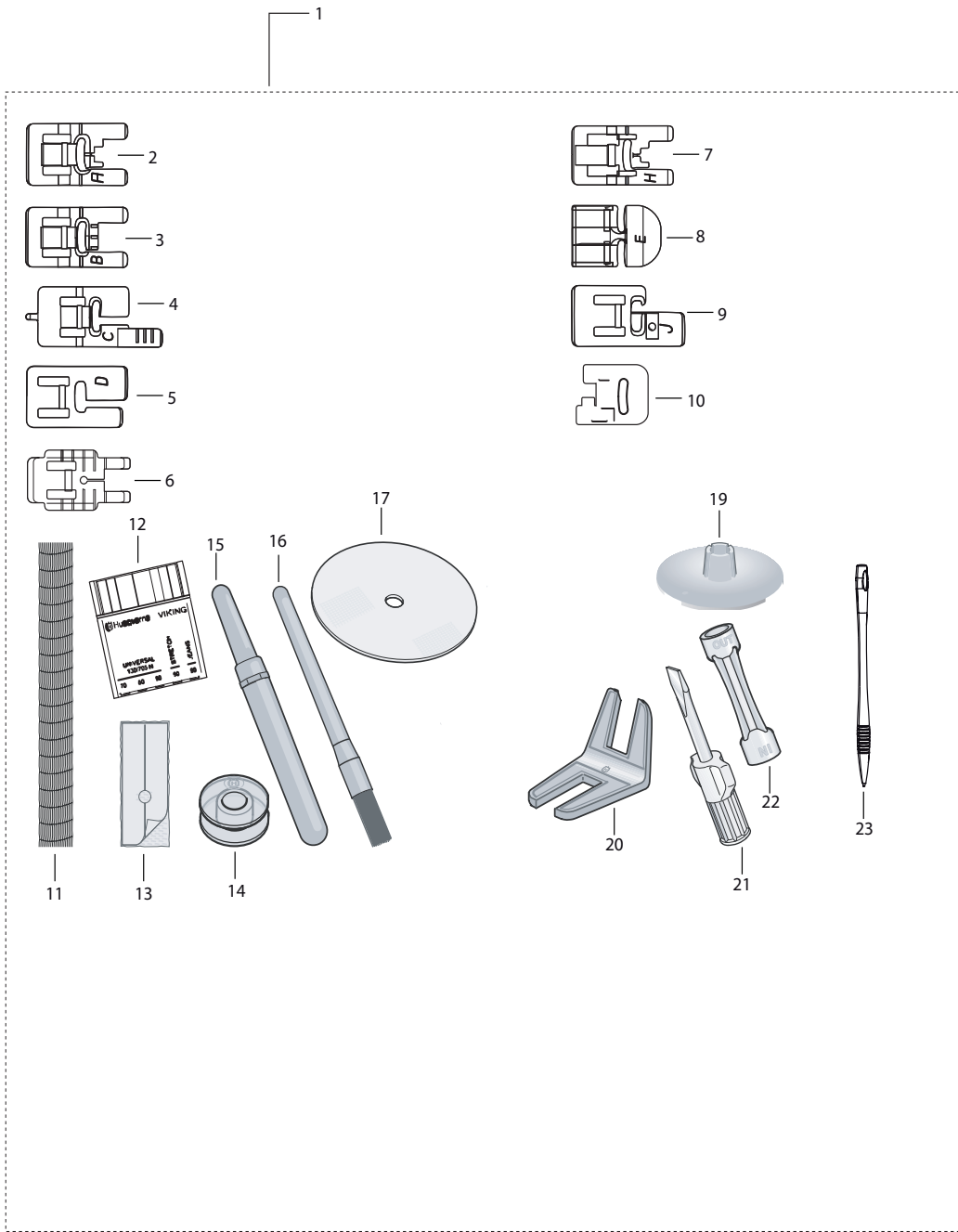


POWERCORD



1	412983901	ACCESSORIES BOX CPL.
2	413018705	HARD COVER CPL.
3	412991402	FOOT CONTROL CPL.
4	412159801	SPRING
5	412318901	SPEED CONTROL UNIT
6	412184501	FOOT
7	412157801	NET CABLE 220V
	412157902	NET CABLE 120V JP
	412157903	NET CABLE 120V
	412158002	NET CABLE GB
	412158101	NET CABLE AU
8	413021501	CABLE FOOT CONTROL

M



1	413358502	STD.ACC. CPL 960Q
2	412764001	PRESSER FOOT A 7MM
3	412785446	PRESSER FOOT B
4	412785345	BUTTON HOLE PRESSER FOOT C
5	412380445	BLIND HEM FOOT D
6	412796145	SMOOTH GLIDE FOOT H
7	412801545	ZIPPER PRESSER FOOT
8	412380645	EDGING PRESSER FOOT J, PIN PAC
9	412849801	EMBROIDERY FOOT R CPL.
10	412397701	THREAD NET 15*100
11	N/S	NEEDLES
12	412827401	GLIDE SOLE, BUTTON HOLE FOOT
13	413182545	BOBBIN HV
14	401539901	SEAM RIPPER
15	413190401	BRUSH
16	412610701	FELT PAD
17	413051603	SPOOL HOLDER 45MM
19	413051601	SPOOL HOLDER 22 MM
20	413105601	CLEARANCE PLATE
21	412381501	SCREW DRIVER
23	412693409	STYLUS, TRANSP. GEM BLUE
24	412815102	BUTTONHOLE SENSOR FOOT CPL
25	412795201	PRESSERFOOT SIDEMOTION S
	413031901	CLEAR OPEN TOE FOOT CPL
	413357001	USER'S GUIDE SWE
	413357006	USER'S GUIDE DEN
	413357011	USER'S GUIDE FIN
	413357021	USER'S GUIDE NOR
	413357026	USER'S GUIDE ENG
	413357031	USER'S GUIDE FRE
	413357036	USER'S GUIDE DUT
	413357041	USER'S GUIDE ITA
	413357046	USER'S GUIDE SPA
	413357051	USER'S GUIDE GER
	413357056	USER'S GUIDE RUS