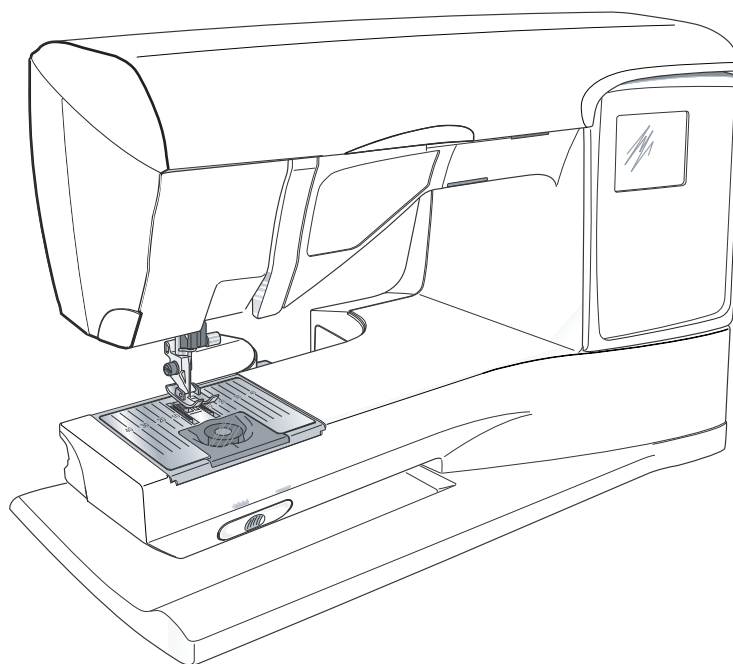


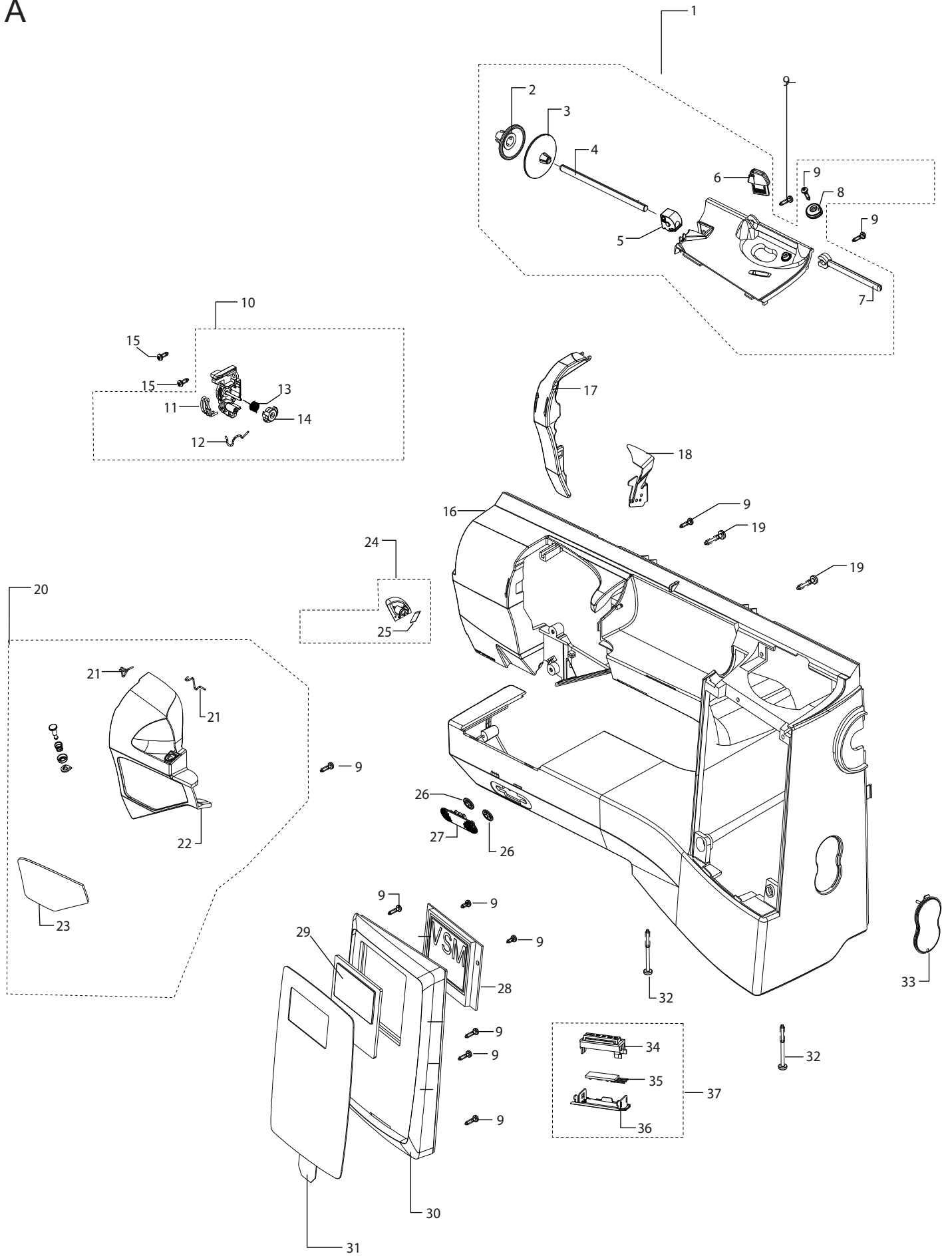
Parts List



Sapphire 930

Sapphire 930

A

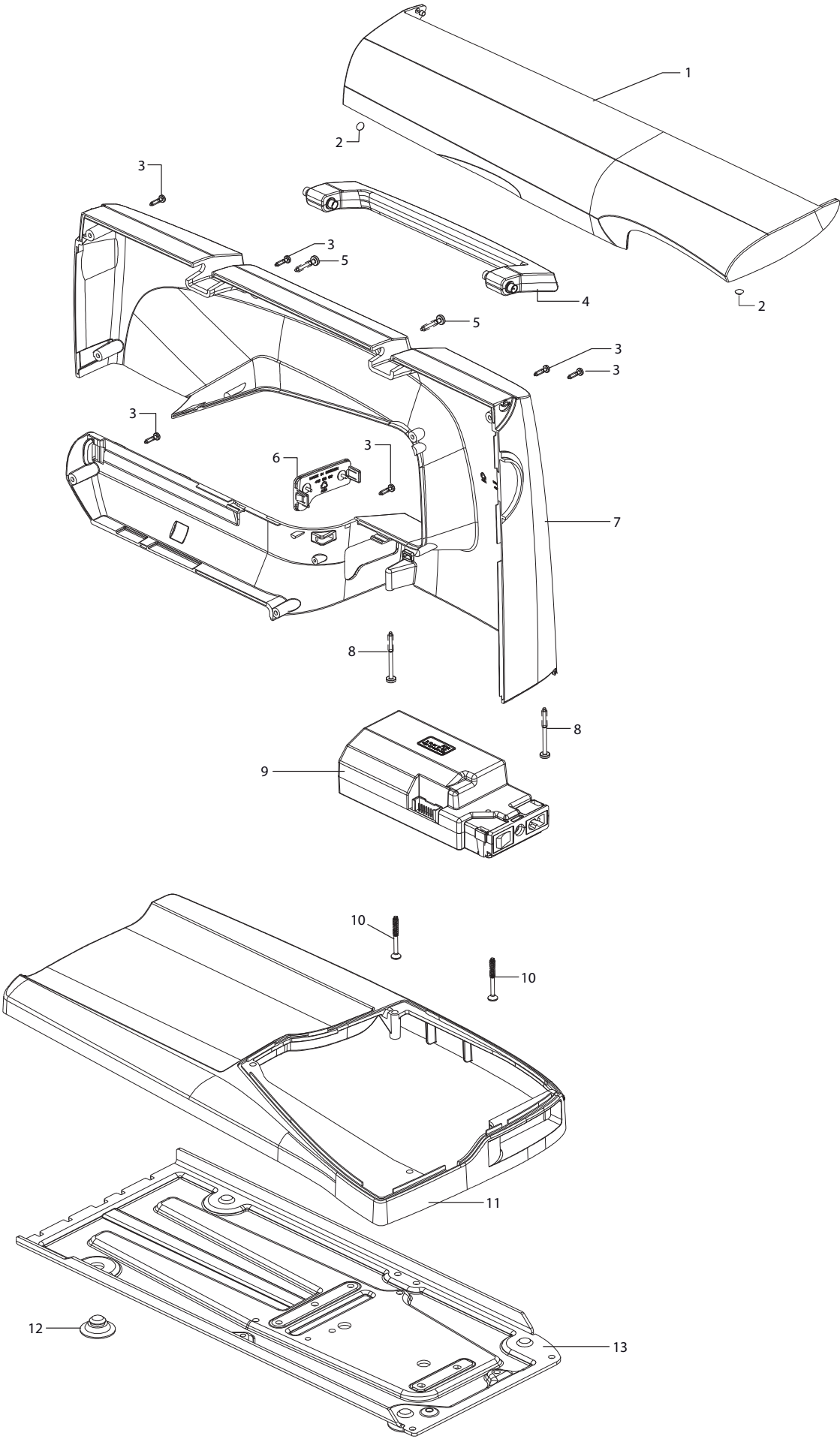


Sapphire 930

A

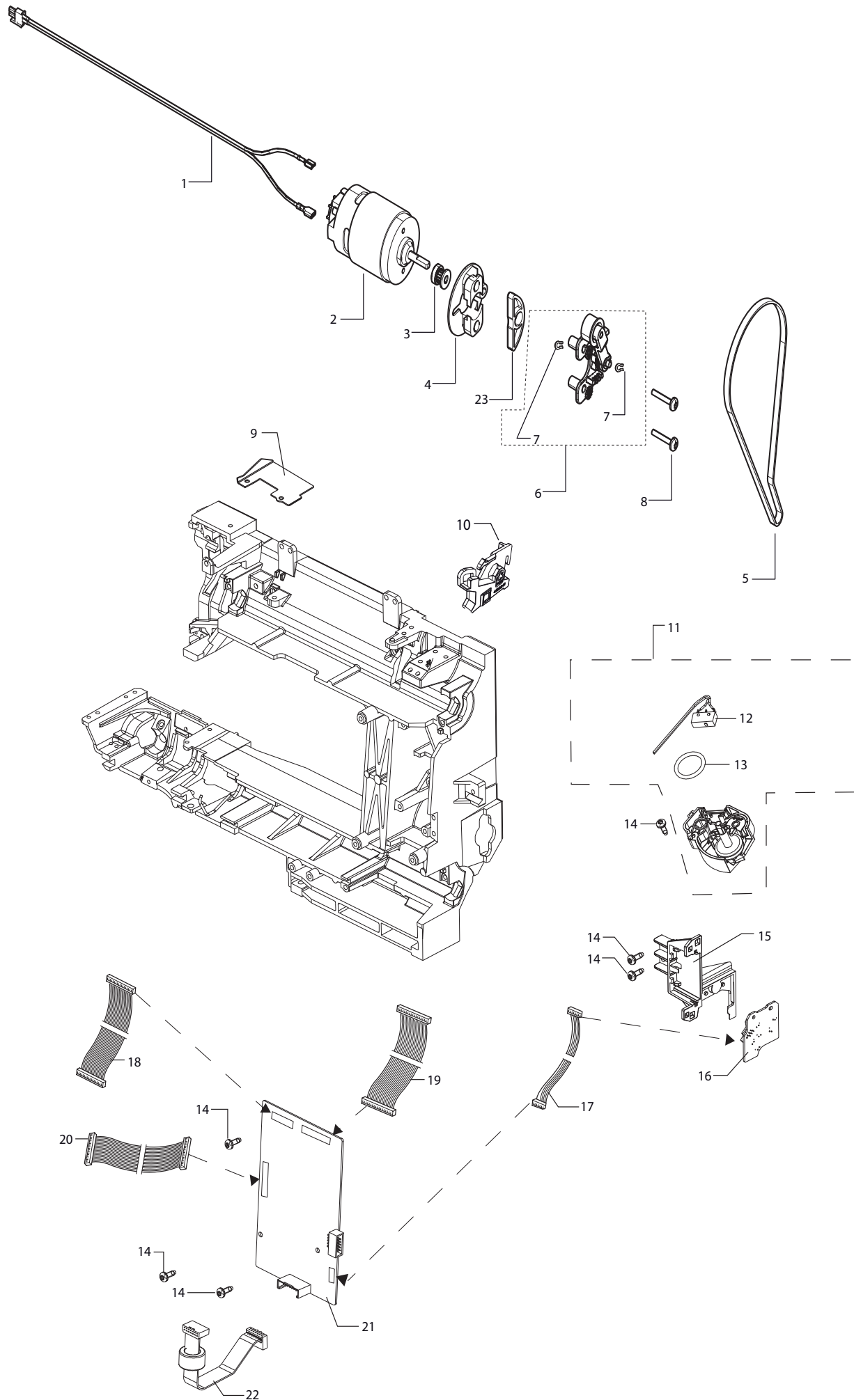
1	412960101	COVER, BOBBIN WIN. CPL. NO MOTOR
2	413051602	SPOOL HOLDER 35MM
3	412371102	LARGE SPOOL CAP
4	412521001	REEL PIN
5	412960301	GUIDE, REEL PIN
6	413022501	COVER THREAD KNIFE CPL. WIN. AV.
7	412960401	THREAD REEL PIN
8	412979601	WINDING STOP
9	411966803	SCREW PT 30*12 FZB TORX
10	413004004	THREAD SENSOR CPL.
11	412519301	THREAD GUIDE
12	413004501	THREAD CONTROL, THREAD SENSOR
13	412519202	CHECK SPRING
14	413004301	ADJUSTING SLEEVE
15	411966820	SCREW PT 30*10 FZB KOMBITORX
16	412978503	FRONT COVER
17	413047602	THREAD GUIDE
18	412981302	THREAD GUIDE CPL.
19	411966810	SCREW PT 40*20 FZB TORX
20	413312201	THREAD TENSION COVER HV MOTOR
21	412981602	THREAD GUIDE
22	413018901	THREAD TENSION COVER HV MOTOR
23	413358403	KEYBOARD, SEWING HEAD 930
24	413022001	COVER THREAD KNIFE CPL. WIN.AV.
25	412423701	THREAD CUTTER
26	735583001	STARLOCK WASHER
27	412989201	FEED DOG LOWERING BUTTON
28	413009301	PCB ASSEMBLY, LCD HV SMALL 830/835
29	412977301	GLASS HV
30	413313102	PANEL
31	413338601	KEYBOARD PANEL 930
32	411966812	SCREW PT 40*40 FZB TORX
33	412988601	COVER USB
34	413354601	LED LIGHT ASS.
35	413208501	LED HOLDER
36	413208601	LED GLASS
37	413269701	LED-LIGHT CPL

B



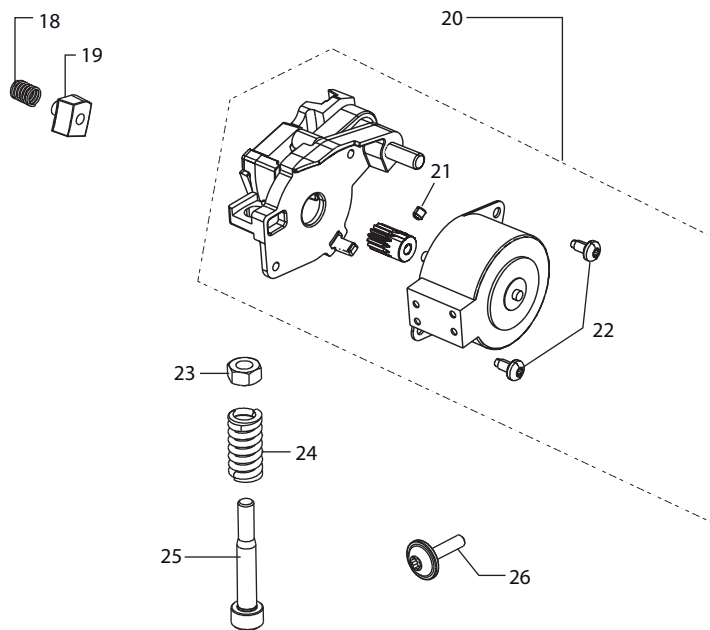
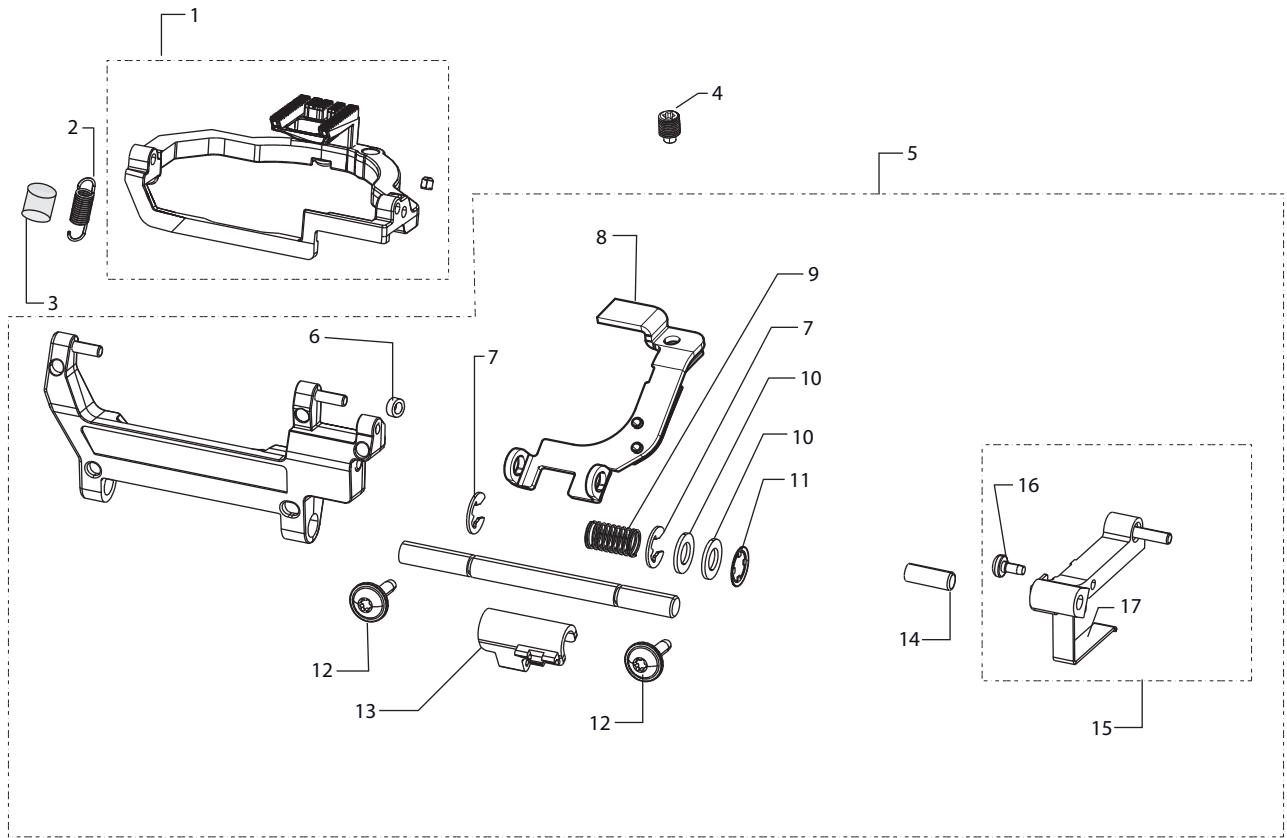
1	413324704	LID 930
2	412569701	DAMPER
3	411966803	SCREW PT 30*12 FZB TORX
4	412954701	HANDLE
5	411966810	SCREW PT 40*20 FZB TORX
6	412966201	COVER
7	412959101	BACK COVER
8	411966812	SCREW PT 40*40 FZB TORX
9	413319502	POWER SUPPLY CPL.
10	411967105	SCREW PT FS 40*20 FZB TORX
11	412959202	BOTTOM COVER
12	412305001	BASE PLATE RUBBER FOOT
13	412954501	BOTTOM PLATE

C



1	413056901	CABLE MAIN MOTOR
2	9233011191000	ENGINE DOMEL
3	412353302	DRIVING WHEEL MOTOR 350,400,500
4	412999902	RUBBER DAMPER, MOTOR
5	413020201	COG BELT MOTOR
6	412971902	BELT STRETCHER CPL.
7	735613640	COMPRESSION RINGS Ø4
8	412211415	SCREW M4*20 TORX
9	413286401	THREAD GUIDE
10	413024101	CABLE LOCATOR
11	412955501	BOBBIN WINDING UNIT
12	413049101	MICRO SWITCH CPL.
13	412305503	O-RING
14	412056006	SCREW TAPTITE M4*12 TORX
15	412985501	HOLDER
16	412986401	SENSOR BOARD,ASS.
17	412546913	CABLE ASSEMBLY (6P)
18	412546910	CABLE ASSEMBLY (14P)
19	412546911	CABLE ASSEMBLY (20P)
20	412546912	CABLE ASSEMBLY (18P)
21	413016656	CONTROL BOARD 930
22	412349703	CABLE TRANSF-CONTROL BOARD
23	413317201	SPACER BLOCK MOTOR

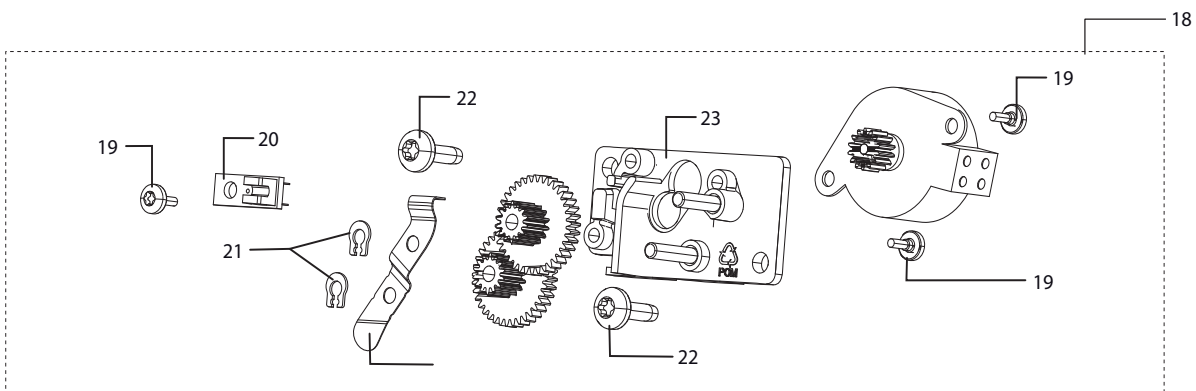
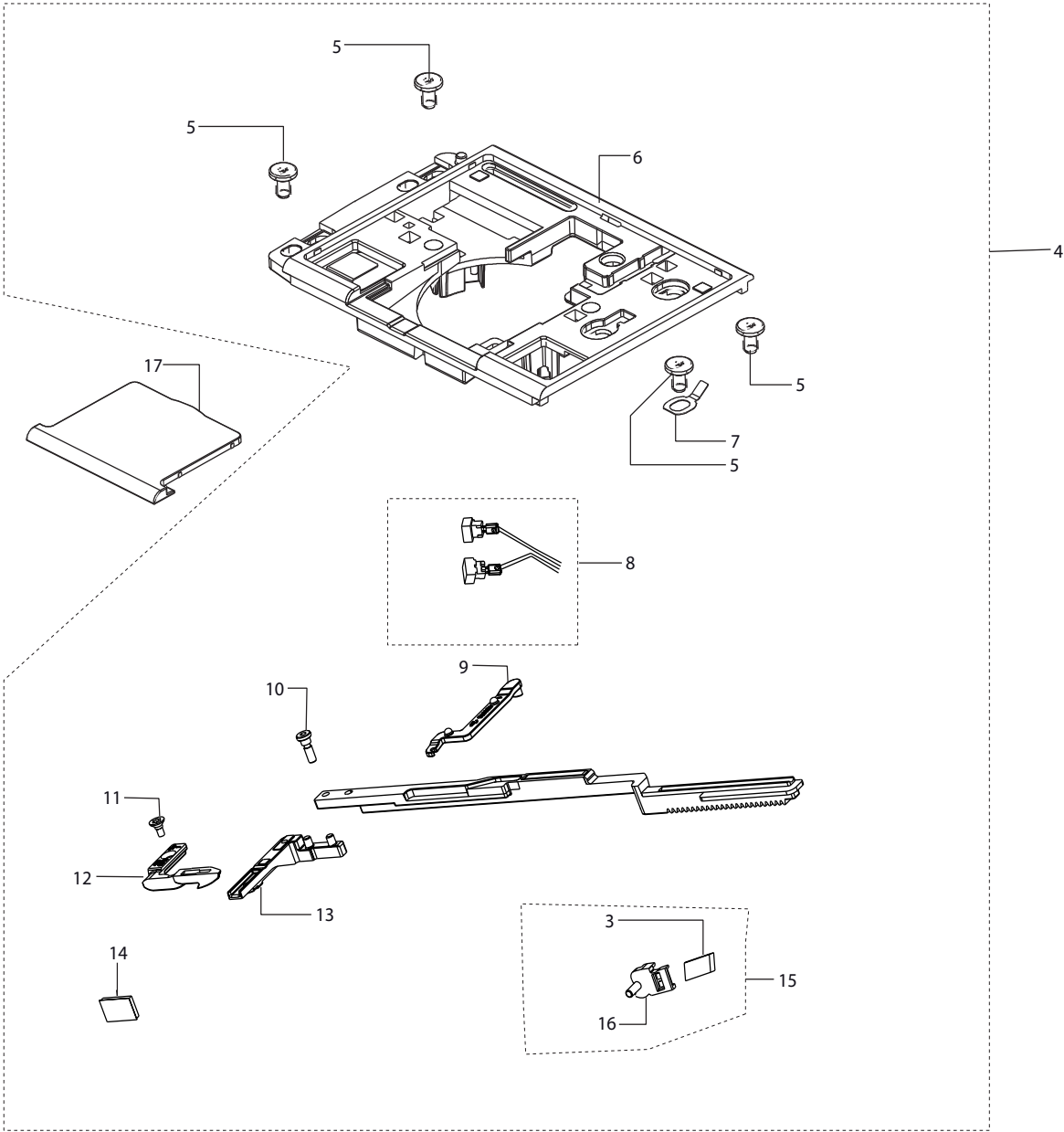
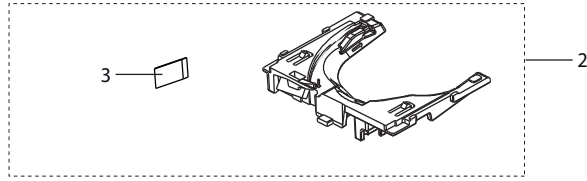
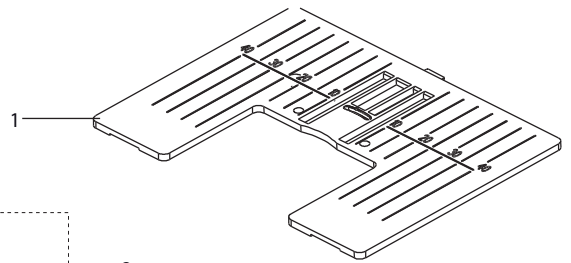
D



1	413201301	FEED DOG CPL.
2	413270001	TENSION SPRING, FRAME FEED DOG
3	413112601	BUFFER
4	413201201	ADJUSTMENT SCREW, FEEDER
5	413269013	CARRIAGE FEED CPL.
6	413007801	SPACER, FEED
7	735310920	LOCK WASHER 5
8	413200901	LEVER FEED LIFT CPL.
9	412962501	SPRING, FEED DOG LOWERING
10	412829103	WASHER, FEED UNIT
11	412368001	LOCK WASHER
12	413169401	COLLAR SCREW TT TORX 4*14
13	413004701	INSERT, LEVER FEED LIFT
14	412316023	INA PIN NRB 4*19,8 0-2UM
15	412961602	LINK, CARRIAGE FEED CPL.
16	412056004	SCREW TAPTITE M3*6 TORX
17	412961501	SPRING, FEED
18	412961701	SPRING, SLIDING BLOCK
19	412961801	BLOCK, GUIDE
20	412963501	STEPPING MOTOR UNIT, FEED
21	411968703	SET SCREW FLAT, M3*3 TORX
22	412056011	SCREW TAPTITE M3*5 TORX
23	413025401	NUT M5*0,5
24	412963601	SPRING
25	412963701	SCREW BALANCE ADJUSTMENT
26	413034402	COLLAR SCREW M4*10, LEFT HAND

Sapphire 930

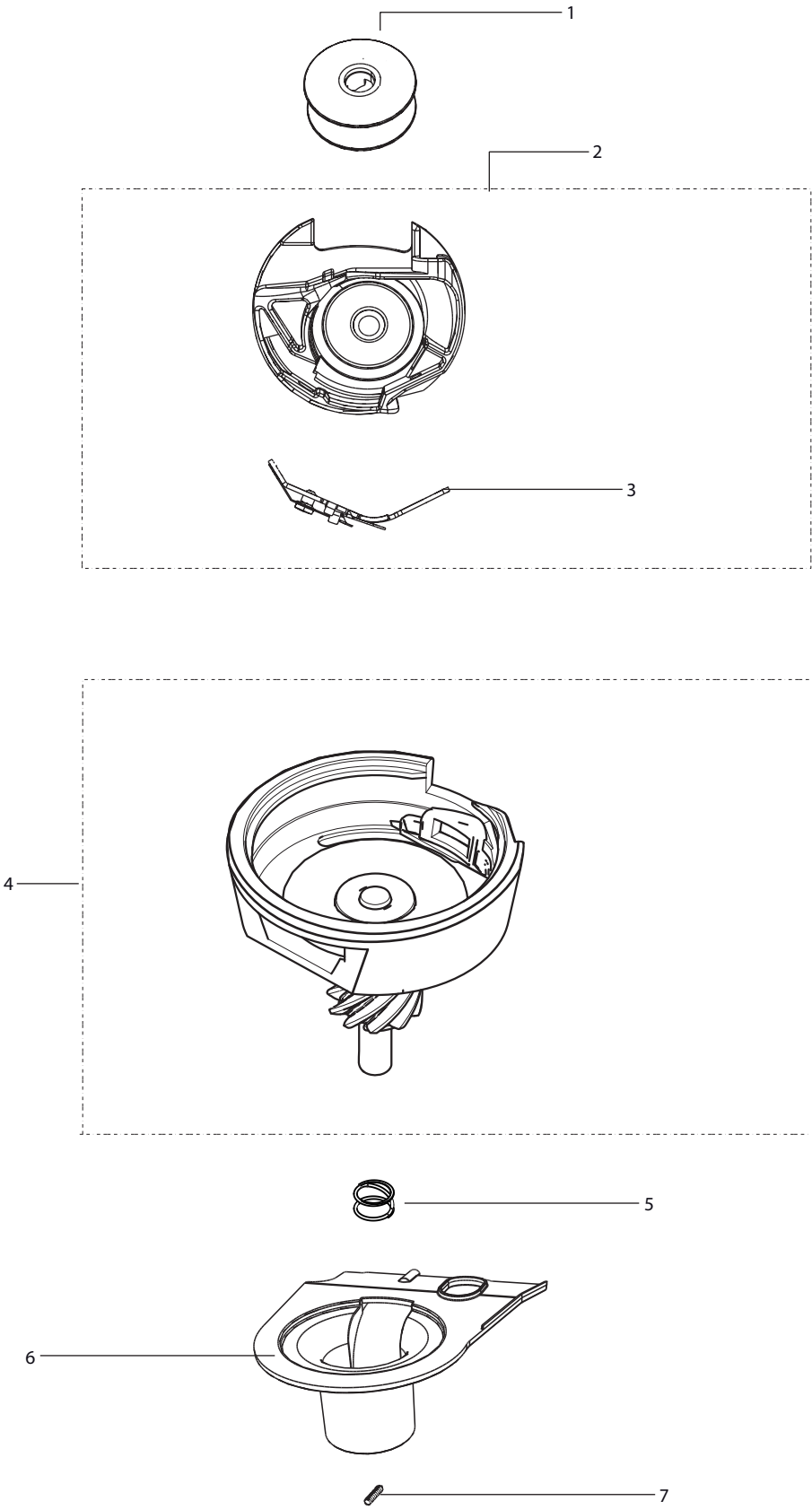
E



1	412964204	STITCH PLATE HV MM
2	413025601	BOBBIN CASE HOLDER CPL
3	412423701	THREAD CUTTER
4	412964002	HOOK COVER CPL. CUT.AND SENS.
5	412287903	SCREW
6	412964105	HOOK COVER
7	412997701	ESD SPRING, STITCH PLATE
8	413101502	CABLE ASS. BOBBIN SENSOR
9	413007301	FETCHER UPPER THREAD
10	413010001	GUIDE PIN
11	412280501	SCREW, COUNTERSUNK
12	413007101	FETCHER
13	413072201	CONNECTING PART, FETCHER
14	413116701	THREAD BRAKE
15	413047301	KNIFE HOLDER CPL.
16	413007701	KNIFE HOLDER
17	412963901	BOBBIN COVER
18	413007402	STEPPING MOTOR CPL.
19	411966828	SCREW PT 30*6 FZB TORX
20	413072501	CUT SENSOR ASS.
21	735612440	COMPRESSION RINGS Ø3
22	412056006	SCREW TAPTITE M4*12 TORX
23	413353001	MOTOR PLATE CPL.

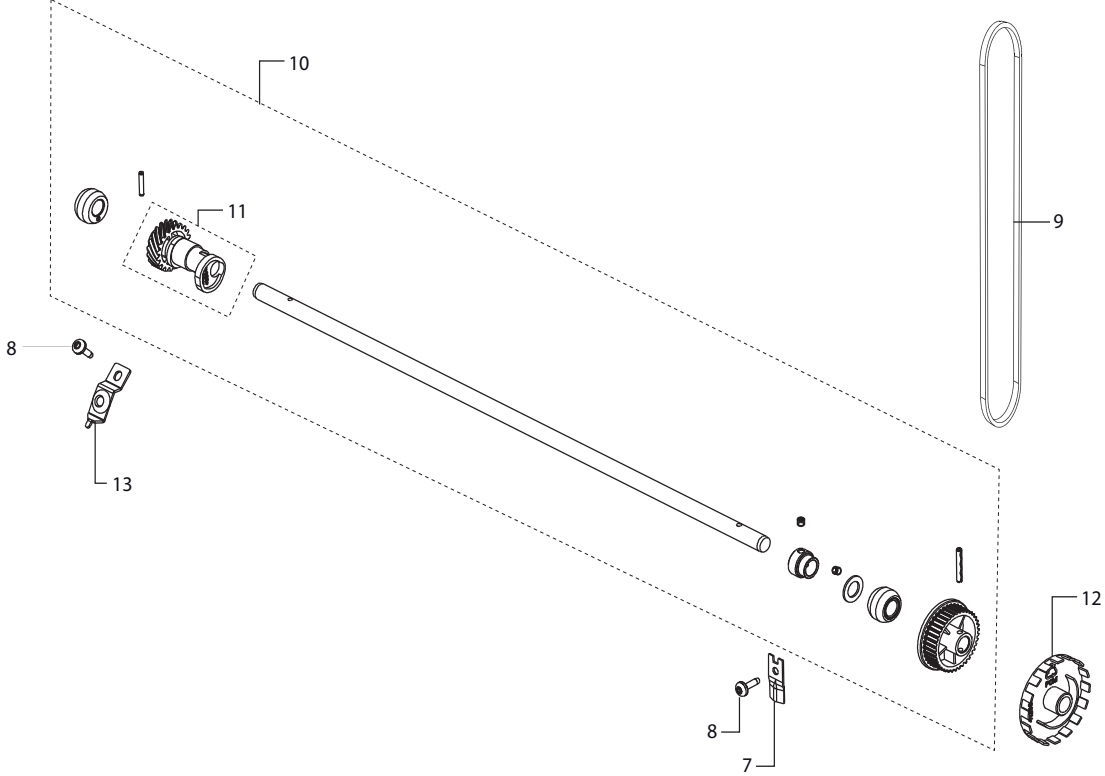
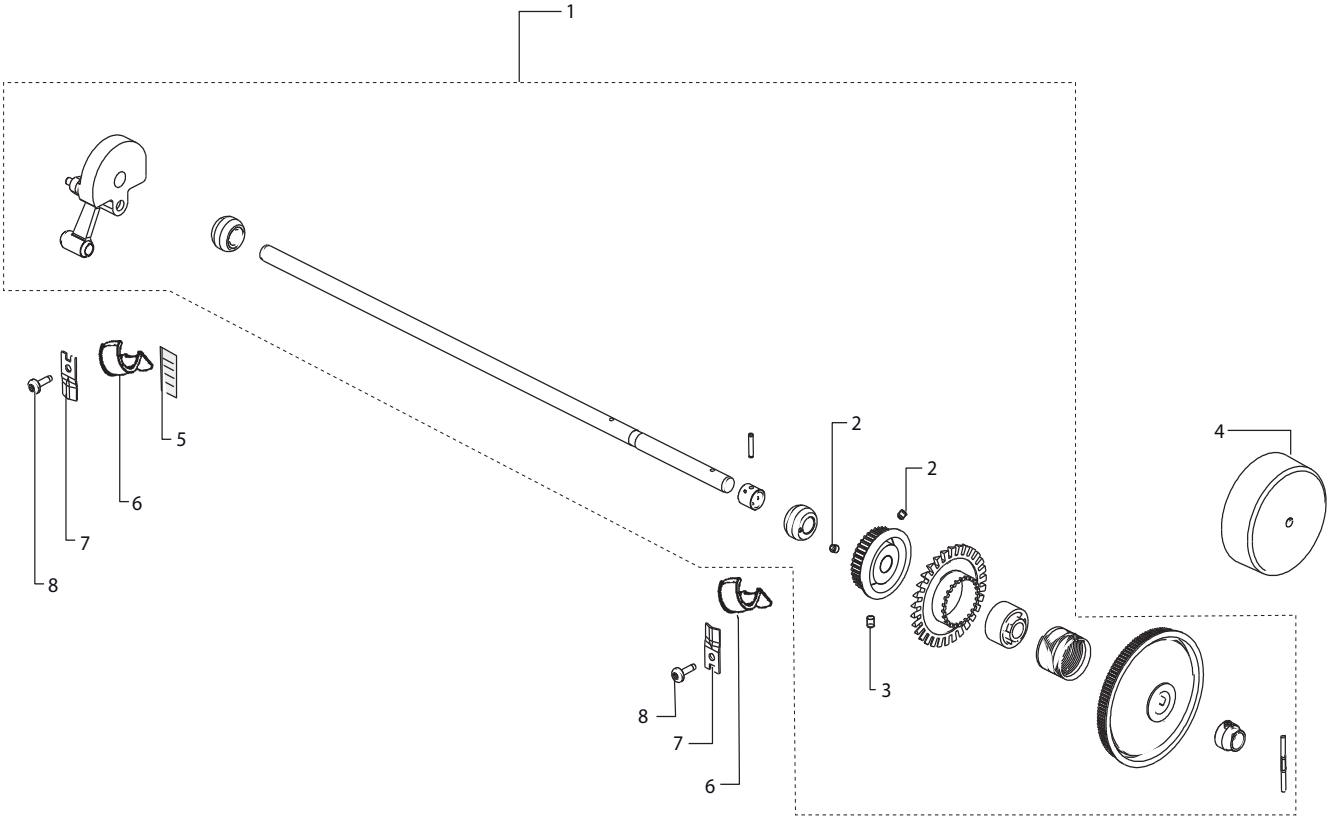
Sapphire 930

F



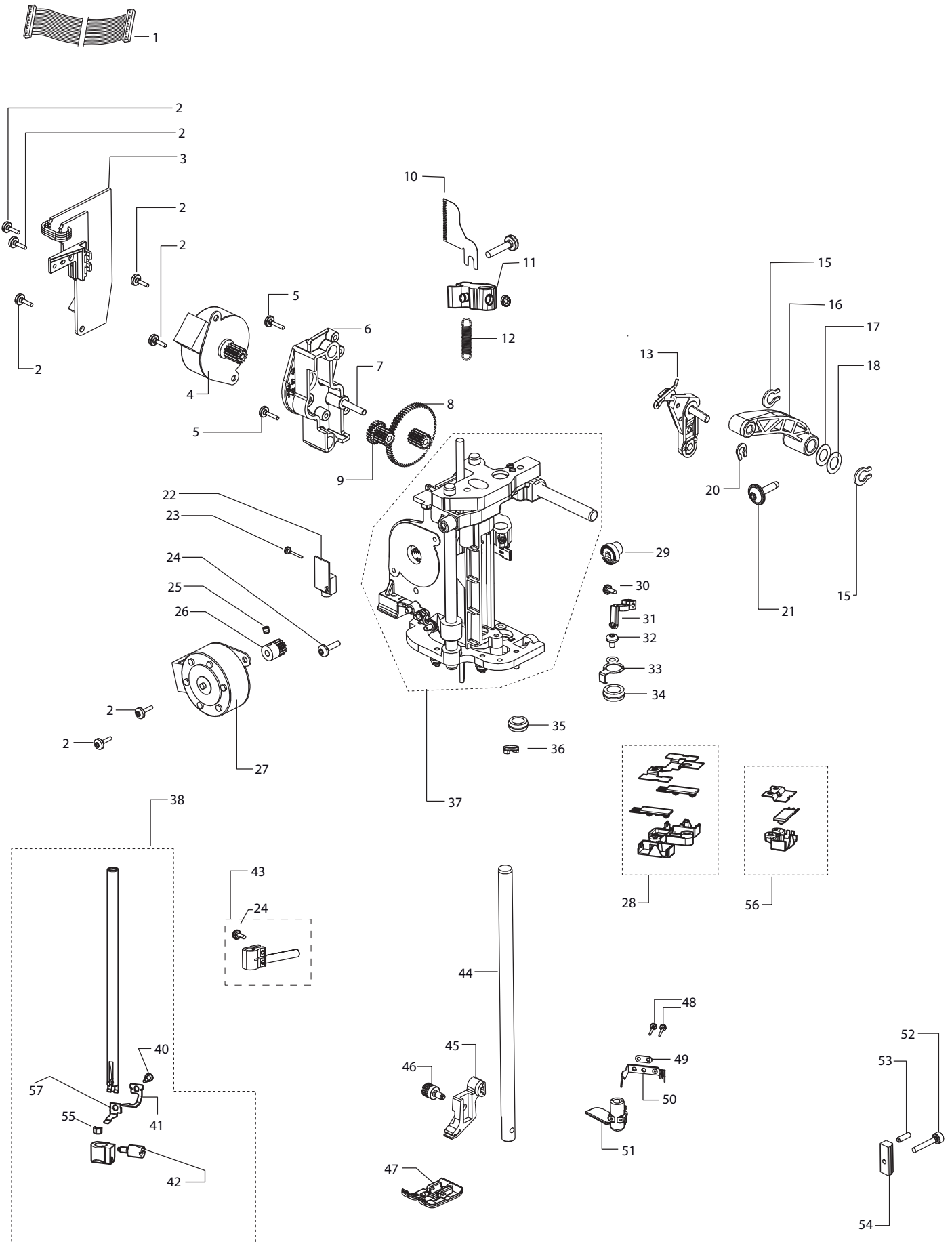
1	413182545	BOBBIN HV
2	413058903	BOBBIN CASE CPL.
3	412471601	THREAD TENSION CPL.
4	412876902	HOOK CPL WITH SHAFT
5	412930101	SPRING, HOOK
6	412964502	DUST COVER
7	728528705	SCREW M4*8

G

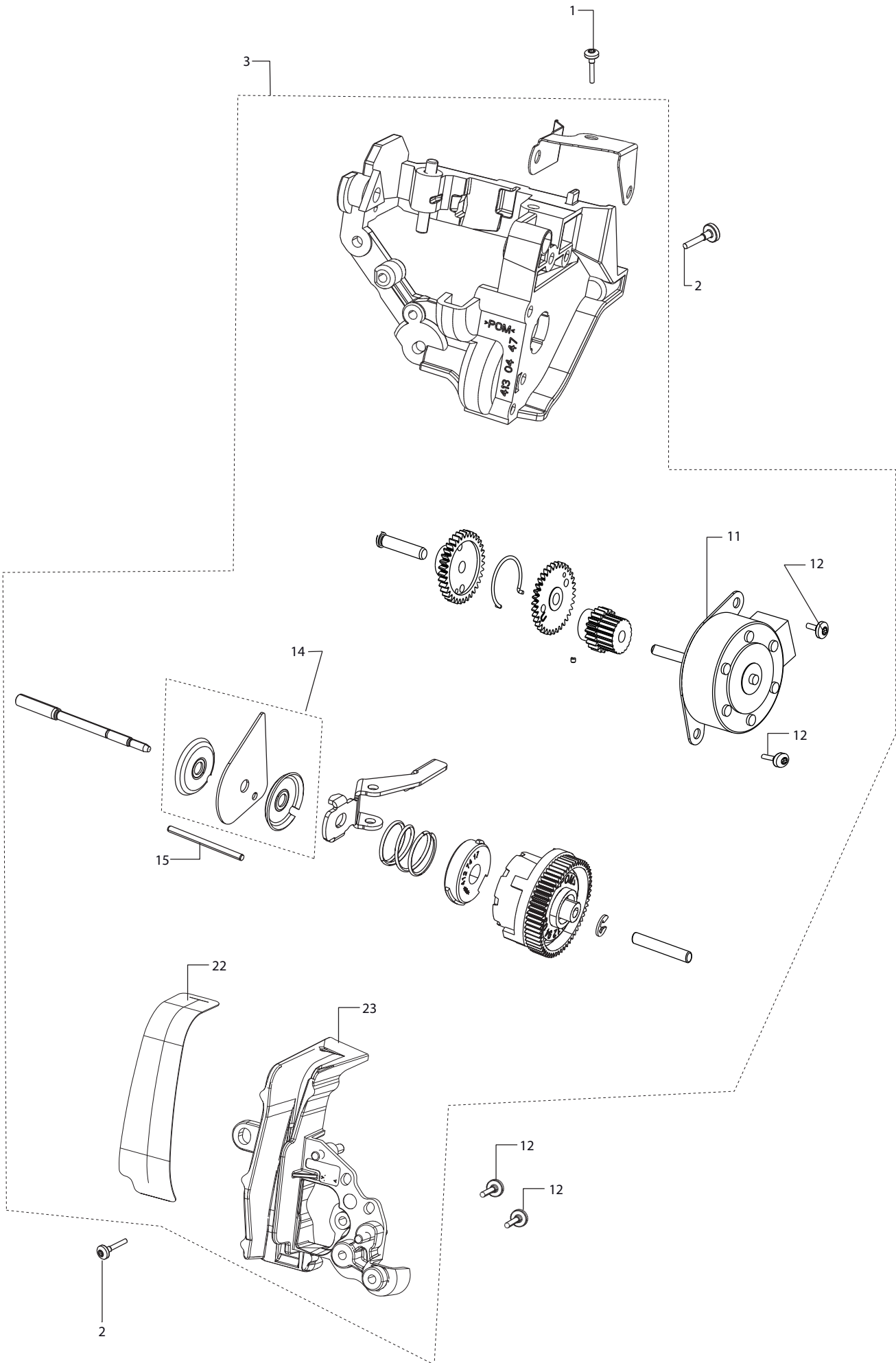


1	412966710	UPPER SHAFT CPL.
2	411968706	SET SCREW FLAT, M4*4 TORX
3	411968807	SET SCREW POINTED, M4*6 TORX
4	412954601	HAND WHEEL
5	412687601	GROUND TAPE
6	412558401	ABSORBER
7	412328401	CLAMP
8	412056006	SCREW TAPTITE M4*12 TORX
9	413020301	COG BELT UPPER-LOWER SHAFT
10	412967903	LOWER SHAFT CPL. (BOX)
11	412964403	ECCENTRIC FEED CPL. (BOX)
12	412968101	SHIELD, REVOLUTION INDICATOR
13	412318101	CLAMP LOWER SHAFT

H



1	412546912	CABLE ASSEMBLY (18P)
2	413019001	SCREW PT 30 x 8 FZB TORX
3	413015502	CONN. BOARD SERVO SENS.
4	413005901	STEPPING MOTOR CPL.
5	411966820	SCREW 30x10 FZB KOMBITORX
6	412974201	GEAR HOUSE,SERVO
7	412316010	INA PIN NRB 3x17,8 0-3UM
8	412974401	GEAR WHEEL, SERVO SEC.
9	412974301	GEAR WHEEL, SERVO PRIM.
10	412973901	SHIELD, PRESSER FOOT SERVO
11	413261601	GUIDE,SERVO CPL.
12	413137602	SPRING, PRESSER FOOT PRESSURE
13	413300302	TAKE UP LEVER CPL. WITH LINK
15	735615340	COMPRESSION RINGS Ø6
16	413047401	LINK
17	411980601	WASHER
18	412001301	SPRING WASHER Ø6,1/9*0,1
20	735613640	COMPRESSION RINGS Ø4
21	413169401	COLLAR SCREW TT TORX 4*14
22	413031001	BUTTONSENS.CONN.ASS.
23	411966821	SCREW PT 18*10 FZB TORX
24	412211404	SCREW M3*10 TORX
25	411968703	SET SCREW FLAT, M3*3 TORX
26	413057201	GEAR.Z-Z
27	412993901	STEPPING MOTOR
28	413138004	LED HOLDER CPL, LEFT
29	412966501	CALIBRATION KNOB
30	413019001	SCREW K 30*8 PT WN 1452-S
31	412993502	STROKE LIMITER
32	412211401	SCREW M3*4 TORX
33	413060301	CLIPS,GABLE LOWER
34	412500601	BEARING
35	412501501	BEARING 10/6,35-4
36	412504701	LOCKING DEVICE
37	413244201	SEWING HEAD CPL.
38	68003680	NEEDLE BAR CPL.
40	68002284	SCREW THREAD LEADER
41	68008796	THREAD GUIDE
42	413373001	SCREW NEEDLE HOLDER
43	412993605	CROSS HEAD CPL.
44	412285403	PRESSER BAR
45	412411201	HOLDER, PRESSER FOOT
46	412409701	SCREW PRESSER SHAFT
47	412764001	PRESSER FOOT A 7MM
48	411966825	SCREW PT 16*8 FZB TORX
49	412876701	WASHER, NEEDLE THREADER
50	413238402	NEEDLE THREADER
51	412876801	HOLDER, NEEDLE THREADER
52	725522805	SCREW M3*16 ISNEX
53	728522205	SOCKET SET SCREW FLAT POINT
54	412966601	WEDGE
55	68016246	CLAMPING PIECE
56	413137904	LED HOLDER CPL, RIGHT
57	413304201	THREAD LOCK, NEEDLE HOLDER

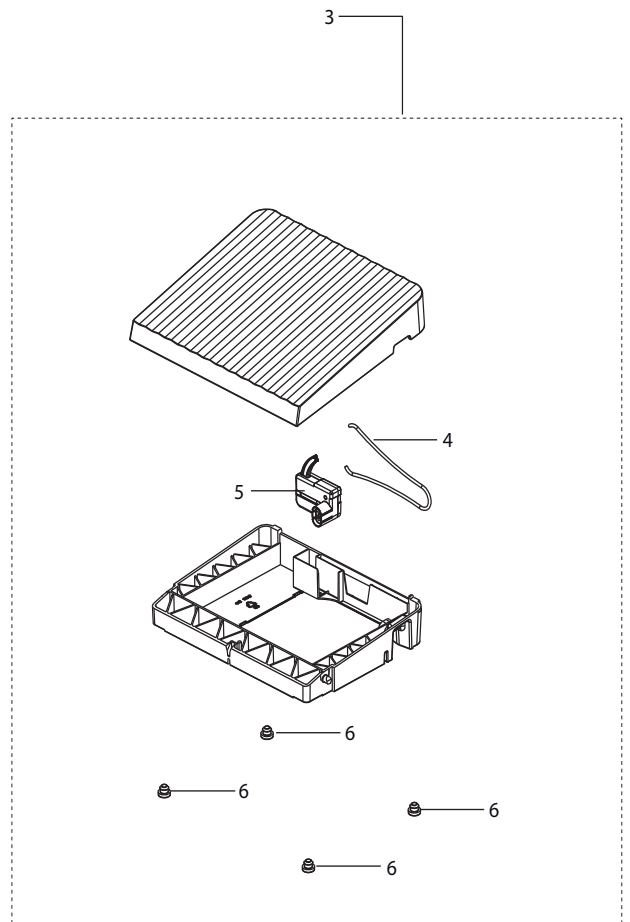
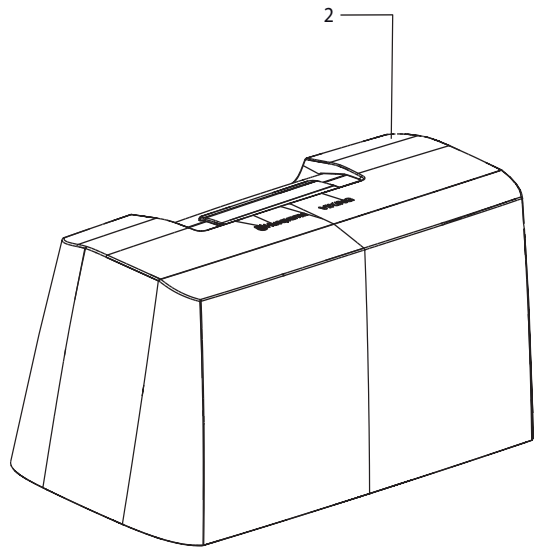
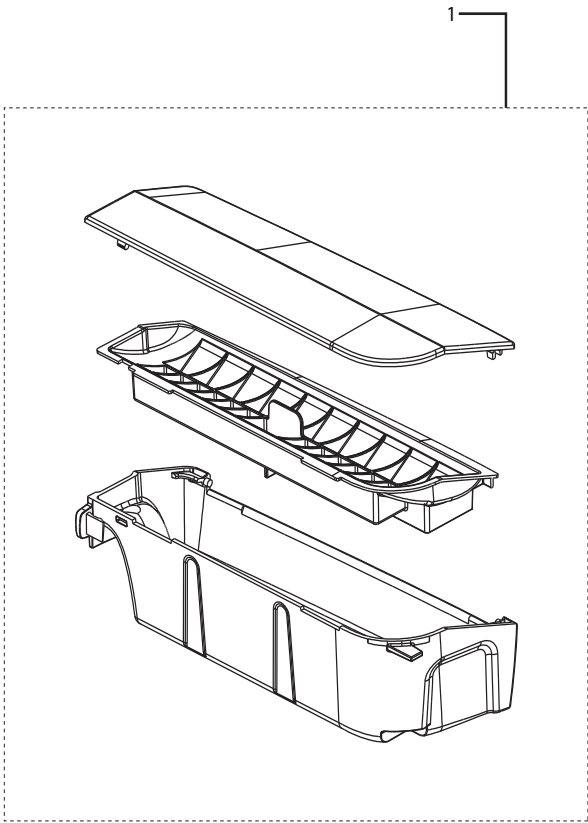


Sapphire 930

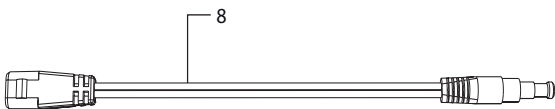
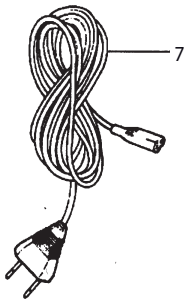
1	411966803	SCREW PT 30*12 FZB TORX
2	411966808	SCREW PT 40*14 TORX
3	412940208	THREAD TENSION ASS.
11	412993903	STEPPING MOTOR
12	411966820	SCREW 30*10 FZB KOMBITORX
14	413106402	THREAD DISK KIT
22	413218502	SEALING, TAKE UP LEVER
23	413232203	SHIELD, TAKE UP LEVER ASS.

|

J



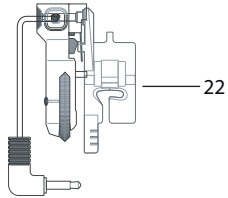
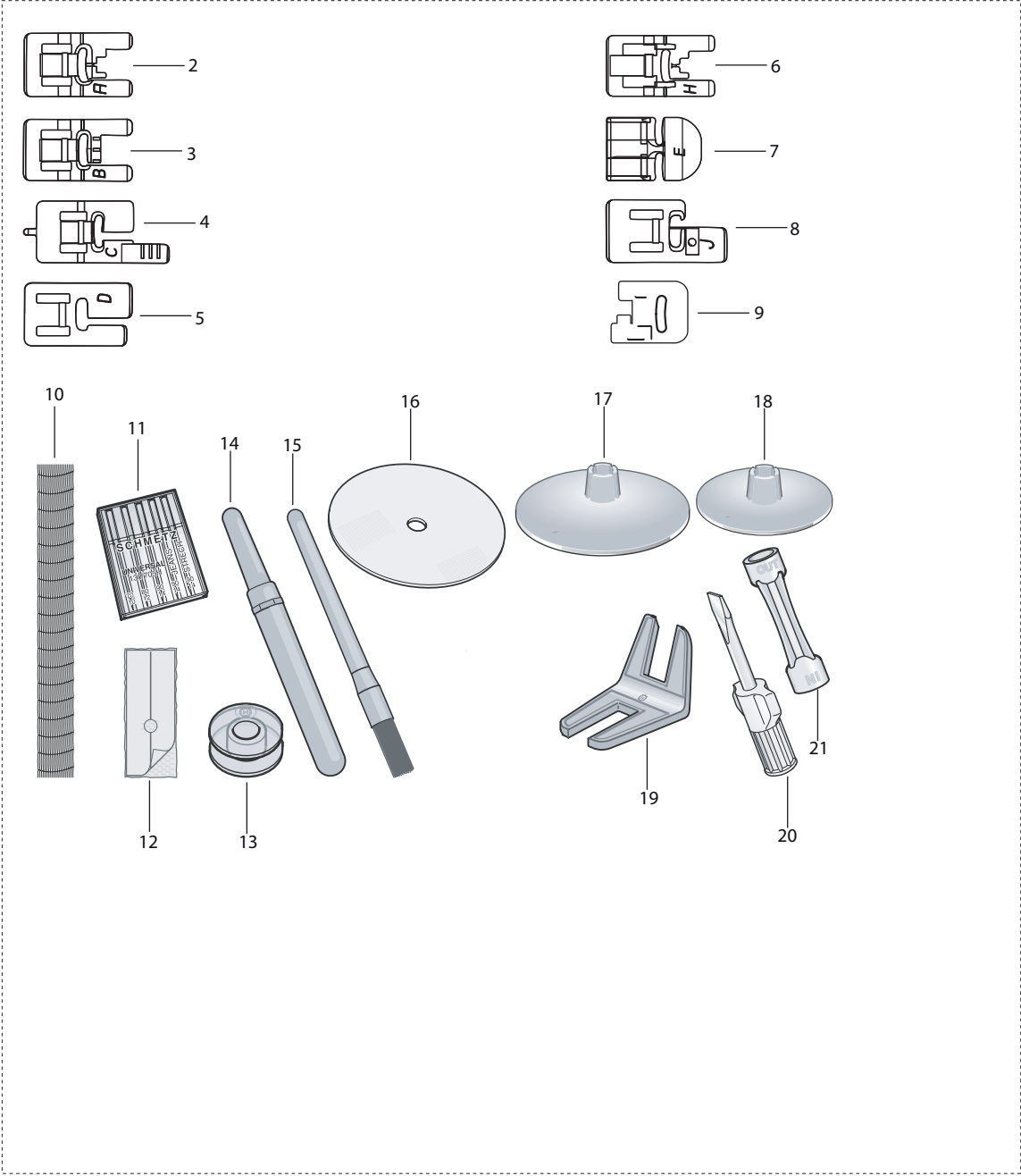
POWERCORD



1	412983901	ACCESSORIES BOX CPL.
2	413018705	HARD COVER CPL.
3	412991402	FOOT CONTR.CPL. WHITE N.WIND
4	412159801	SPRING
5	412318901	SPEED CONTROL UNIT
6	412184501	FOOT
7	412157801	NET CABLE 220V
	412157902	NET CABLE 120V JP
	412157903	NET CABLE 120V
	412158002	NET CABLE GB
	412158101	NET CABLE AU
8	413021501	CABLE, FOOT CONTROL

K

1



1	413358501	STD. ACC. CPL 930
2	412764001	PRESSER FOOT A 7MM
3	412785446	PRESSER FOOT B
4	412785345	BUTTON HOLE PRESSER FOOT C
5	412380445	BLIND HEM FOOT D
6	412796145	SMOOTH GLIDE FOOT H
7	412801545	ZIPPER PRESSER FOOT
8	412380645	EDGING PRESSER FOOT J, PIN PAC
9	412849801	EMBROIDERY FOOT R CPL.
10	412397701	THREAD NET 15*100
11	N/S	NEEDLES
12	412827401	GLIDE SOLE, BUTTON HOLE FOOT
13	413182545	BOBBIN HV
14	401539901	SEAM RIPPER
15	413190401	BRUSH
16	412610701	FELT PAD
17	413051603	SPOOL HOLDER 45MM
18	413051602	SPOOL HOLDER 35MM
19	413105601	CLEARANCE PLATE
20	412381501	SCREW DRIVER
21	412570101	SLEEVE, LAMP
22	412815102	BUTTONHOLE SENSOR FOOT CPL.