

Husqvarna

VIKING

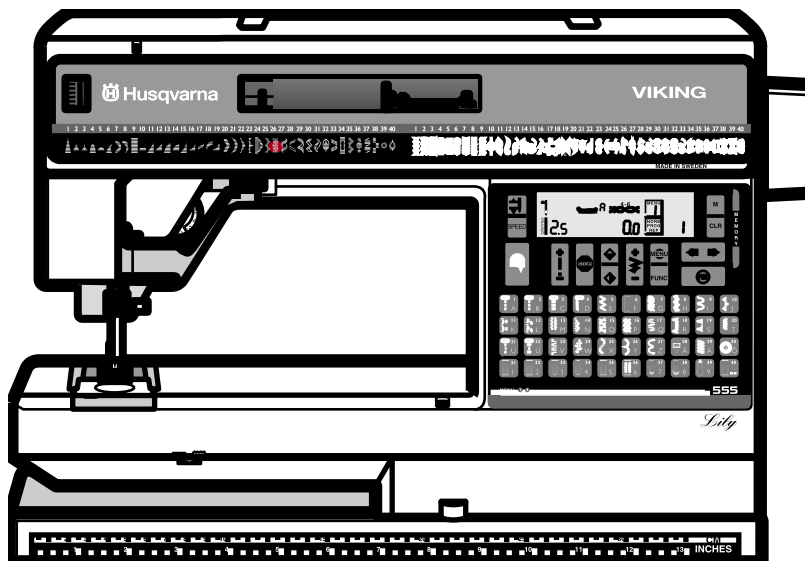
Parts list

LILY

555

545

535



FREESIA

425

415

LISA

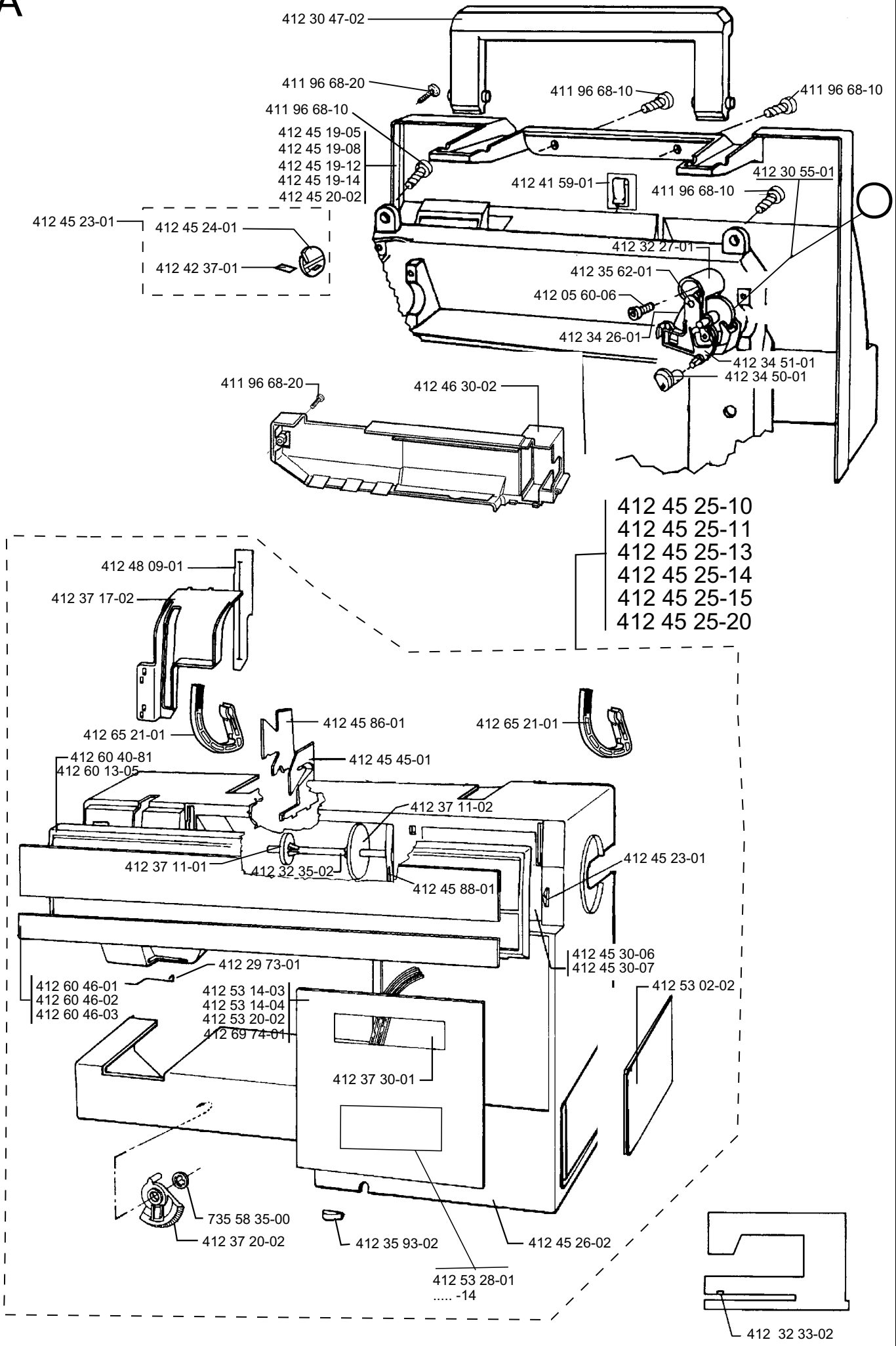
ANGELICA

VICTORIA

Part no	Description	Square	Part no	Description	Square
411 72 10-01	Washer	C	412 32 71-47	Transformer 120 V	B
411 75 00-07	Needle bar compl (old version)	F	412 32 71-48	Transformer 100 V	B
412 58 17-01	Needle bar compl (new version)	F	412 32 84-01	Clamp	D,H
411 75 02-01	Needle clamp (old version)	F	412 33 62-01	Cog wheel	E
412 58 18-01	Needle clamp (new version)	F	412 33 93-01	Attachment, motor	B
411 75 03-02	Stop needle clamp	F	412 33 94-01	Muffler, motor	B
411 75 04-01	Thread guide (old version)	F	412 33 97-02	Motor 24 V	B
412 58 19-01	Thread guide (new version)	F	412 34 24-07	Base plate	B
411 78 10-03	Light bulb	F	412 34 24-08	Base plate Lisa	B
411 96 68-10	Screw	A	412 34 24-09	Base plate Angelica	B
411 96 68-12	Screw	B	412 34 26-01	Spring	A
411 96 68-20	Screw	A	412 34 42-03	Hard cover	K
411 96 71-07	Screw	B	412 34 45-01	Holder	B
411 98 14-01	Washer	C	412 34 47-01	Holder	B
412 00 13-01	Washer	D	412 34 48-01	Screen	D
412 02 41-01	Spring	F	412 34 50-01	Eccentric	A
412 05 60-01	Screw M5*14	B	412 34 51-01	Adjusting arm	A
412 05 60-04	Screw M3*6	C,E,F	412 34 54-01	Cog belt	H
412 05 60-06	Screw M4*12	A,B,D,E,H	412 34 60-01	Stop ring	D
412 05 60-07	Screw M4*16	G	412 34 75-01	Feeding step motor	E
412 05 60-10	Screw M3*10	F	412 34 79-01	Calibration stop	E,F
412 05 60-11	Screw M3*5	D	412 34 80-02	Damper	E,F
412 13 12-01	Bulb 4 V	B	412 34 81-01	Spring	E
412 14 30-05	Fuse 6.3 A/250 V	B	412 34 82-01	Setting screw	E
412 14 30-06	Fuse 2 A/250 V	B	412 34 84-01	Shaft, feeding compl.	E
412 14 32-03	Fuse 3.5 A/250 V (USA)	B	412 34 85-01	Joint cross	E
412 14 32-05	Fuse 2 A/250 V (USA)	B	412 34 87-01	Spring	E
412 15 78-01	Cord device, stand.	J	412 34 88-01	Fastener, spring	E
412 15 79-02	Cord device Japan	J	412 34 89-01	Spring	F
412 15 79-03	Cord device, USA, Can.	J	412 34 91-01	Attachment	F
412 15 80-02	Cord device, England	J	412 34 92-01	Cog wheel	F
412 15 81-01	Cord device, Australia	J	412 34 96-01	Cablage motor	B
412 15 98-01	Spring	J	412 34 97-01	Cable for PC-board	B
412 18 45-01	Foot	J	412 35 12-25	Guide, quick info 425	A
412 21 14-02	Screw, torx M3*6	F	412 35 12-26	Guide, quick info Lisa	A
412 21 14-03	Screw, torx M3*8	F	412 35 26-01	Washer	D
412 21 14-14	Screw, torx M4*16	B	412 35 31-01	Thread tension set	GK
412 22 98-01	Locking nut	E	412 35 33-02	Driving wheel compl.	B
412 28 19-02	Screw	C,F	412 35 42-01	Pulley	D
412 28 19-03	Screw M4*14	F	412 35 62-01	Pin	A
412 28 48-01	Spring	C	412 35 64-01	Holder	B
412 28 51-01	Adjusting arm	F	412 35 93-02	Cover	A
412 28 54-01	Presser bar	F	412 36 14-01	Opener, stitch plate	K
412 28 75-01	Base plate	B	412 36 78-01	Spring	G
412 28 79-01	Screw	D	412 36 80-01	Locking washer	C
412 28 81-01	Stitch plate (is used together with hook cover 412 45 89-01).	D	412 36 82-03	Lower shaft compl.	D
412 29 73-01	Thread guide	A	412 36 83-02	Arm shaft	H
412 30 06-01	Driver	H	412 36 84-01	Cog belt	H
412 30 07-01	Spring	H	412 36 87-01	Pin	H
412 30 08-01	Pulley	H	412 37 11-01	Thread reel disc 20 mm	A
412 30 09-02	Hand wheel	H	412 37 11-02	Thead reel disc 40 mm	A
412 30 16-01	Link	G	412 37 14-02	Lever feed lift	C
412 30 21-01	Locking washer	G	412 37 17-02	Screen	A
412 30 24-01	Crank arm	G	412 37 20-02	Knob, feed dog lowering	A
412 30 30-01	Guide arm	F	412 37 27-01	Spring	C
412 30 47-02	Handle	A	412 37 30-01	Window, foil keyboard	A
412 30 50-01	Foot	B	412 37 35-01	Connector sensor	F
412 30 55-01	Rubber ring	A	412 37 82-01	Nut	C
412 30 66-01	Shuttle shaft	D	412 38 16-02	Feeding unit compl.	C
412 30 74-01	Damper	D	412 39 09-19	Plastic bag with access. 555,545	K
412 30 83-02	Frame, sewing head compl.	F	412 39 09-20	Plastic bag with access. 535	K
412 30 91-04	Regulating dial	F	412 39 09-21	Plastic bag with access. 415,425,Ang	K
412 30 96-02	Presser bar guide	F	412 39 12-01	Spring presserfoot lifter	F
412 30 97-01	Presser bar lifter	F	412 39 44-01	Thread take up	F
412 31 04-02	Guide compl.	C	412 39 47-01	Washer	D
412 31 06-01	Spring	C	412 39 54-01	Feed unit compl.	C
412 31 34-01	Cover , soft	K	412 39 56-01	Frame carriage	C
412 31 41-02	Foot control compl.	J	412 39 59-04	Sewing head compl.	F
412 31 44-01	Cable standard	J	412 39 70-01	Guide connector	F
412 31 44-02	Cable USA, Can, Japan	J	412 40 97-01	Screw	F
412 31 48-01	Spring	C	412 41 12-01	Ankel	F
412 31 60-41	Shaft, sewing frame	F	412 41 59-01	Clip	A
412 31 76-01	Toothed segment	F	412 42 37-01	Thread knife	A,D
412 31 79-01	Clutch	H	412 43 18-01	Feed dog	C
412 31 81-01	Clamp, lower shaft	D	412 44 40-02	Hook	D
412 31 84-01	Bushing, feed dog	C	412 44 44-01	Cog wheel	D
412 31 89-01	Control unit	J	412 45 19-05	Back cover Husqvarna	A
412 32 27-01	Bobbin winding	A	412 45 19-08	Backcover Lisa, Sarah	A
412 32 33-02	Sealing washer	A	412 45 19-12	Back cover Angelica	A
412 32 34-03	Step motor, feeding	E	412 45 19-14	Back cover Victoria	A
412 32 34-07	Step motor, sewing head	F	412 45 20-02	Back cover, blank cover	A
412 32 35-02	Reel pin	A	412 45 23-01	Thread knife	A
412 32 43-02	Thread reel pin	K	412 45 24-01	Holder, thread knife	A
412 32 45-03	Thread tension device	G	412 45 25-10	Front cover compl. 425	A
412 32 47-01	Lever thread tension	G	412 45 25-11	Front cover compl. 415	A
412 32 49-01	Screw thread tension	G	412 45 25-13	Front cover compl. 555	A
412 32 50-01	Spring holder	G	412 45 25-14	Front cover compl. 545	A
412 32 51-02	Adjustment dial	G	412 45 25-15	Front cover compl. 535	A
412 32 67-45	PC-board transformer	B	412 45 25-17	Front cover compl. Lisa	A
412 32 71-45	Transformer 220-240 V	B	412 45 25-20	Front cover compl. Angelica	A
			412 45 25-21	Front cover compl. Victoria	A
			412 45 26-02	Front cover, empty	A

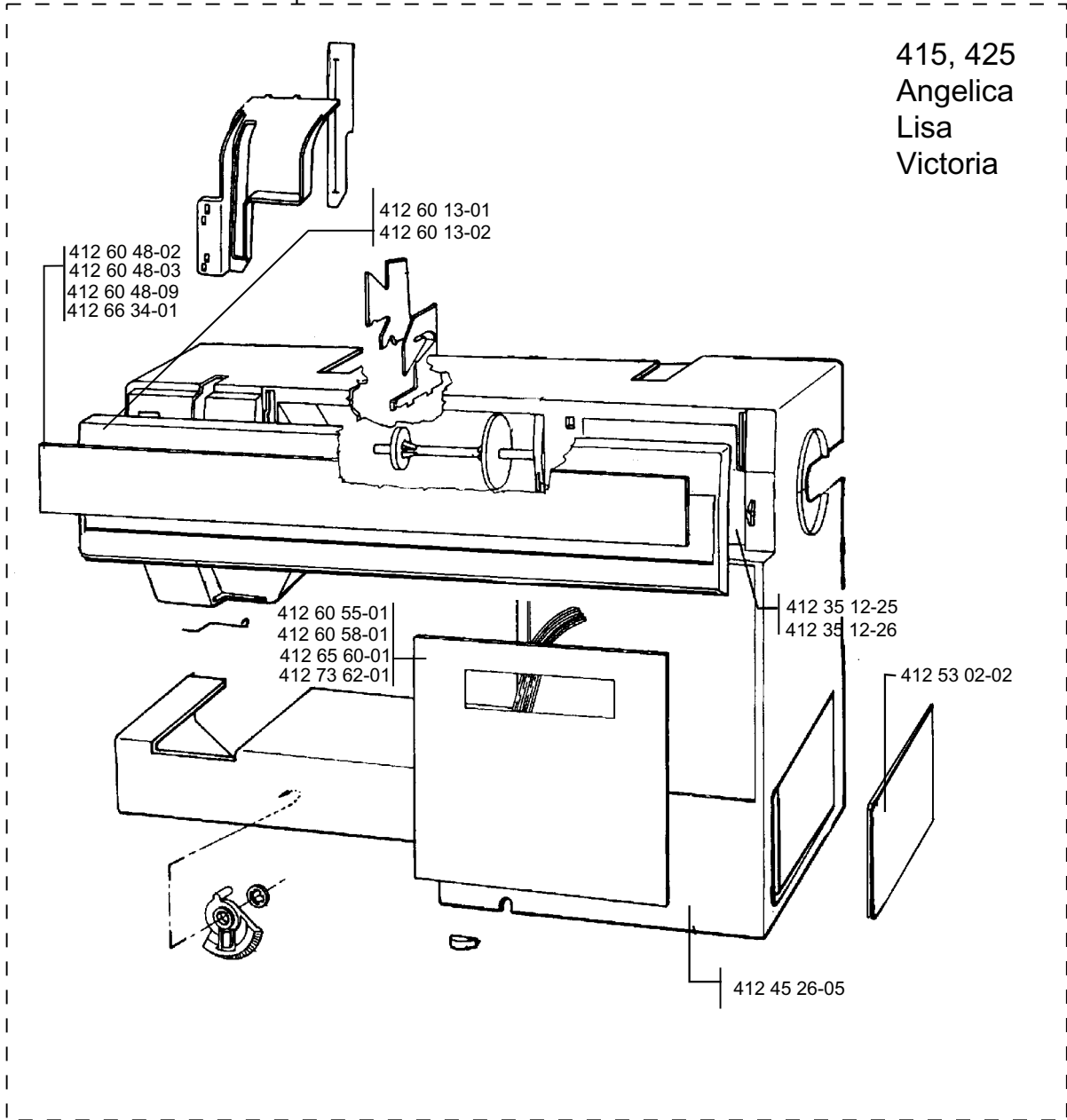
Part no	Description	Square	Part no	Description	Square
412 45 26-05	Front cover empty. Lisa, Angelica	A	735 31 08-00	C-washer	F
412 45 30-06	Guide, quick info 555	A	735 31 08-20	C-washer	D
412 45 30-07	Guide, quick info 545	A	735 58 35-00	Locking washer	A
412 45 43-03	Accessory box	K	735 58 55-00	Locking washer	H
412 45 45-01	Thread guide	A	735 61 24-40	Compression ring 3mm	G
412 45 86-01	Thread guide	A	735 61 36-40	Compression ring 4mm	F
412 45 88-01	Thread support	A	735 61 53-40	Compression ring 6mm	F
412 45 89-01	Hook cover	D			
412 45 91-01	Hook cover, window	D			
412 46 13-02	Extension table	K			
412 46 30-02	Back cover	A	ACCESSORIES		
412 46 44-01	Adjusting screw, thread tension	D	401 53 99-01	Buttonhole knife	K
412 46 45-01	Screw, thread tension	D	401 55 55-01	Brush	K
412 46 95-02	Inside tray accessory box	K	411 17 32-01	Button reed	K
			412 01 76-01	Hemmer 10 mm	K
412 47 16-01	Thread tension compl.	D	412 34 66-45	Glide plates	K
412 47 73-01	Case holder compl.	D	412 34 73-01	Gathering foot	K
412 48 09-01	Protector, take up	A	412 38 15-01	Screw driver medium	K
412 49 49-01	Distance sleeve	B	412 38 01-01	Presser foot "B"	K
412 49 80-45	PC-board 535	B	412 38 02-01	Buttonhole foot "C"	K
412 49 80-46	PC-board, 545	B	412 38 04-01	Blind stitch foot "D"	K
412 49 80-47	PC-board, 555	B	412 38 05-01	Zipper foot "E"	K
412 49 80-48	PC-board, 415/425/ Angelica / Victoria	B	412 38 06-01	Edging foot "J"	K
412 49 80-49	PC-board, Lisa	B	412 40 80-01	Buttonhole sensor foot	K
			412 61 76-01	Presser foot "A"	K
412 50 24-03	Cross head compl.	F	OPERATING MANUAL 555/545		
412 51 63-02	Worm gear	D	412 60 81-01	Operating man. Swe	K
412 53 02-02	Plug, card hole	A	412 60 81-06	Operating man. Dan	K
412 53 14-03	Foil key board 555	A	412 60 81-10	Operating man. Jap	K
412 53 14-04	Foil key board 545	A	412 60 81-11	Operating man. Fin	K
412 53 20-02	Foil key board 535	A	412 60 81-21	Operating man. Nor	K
412 53 28-01	Guide 535 Swe	A	412 60 81-26	Operating man. Eng	K
412 53 28-02	Guide 535 Dan	A	412 60 81-31	Operating man. Fra	K
412 53 28-03	Guide 535 Fin	A	412 60 81-36	Operating man. Dutch	K
412 53 28-04	Guide 535 Nor	A	412 60 81-41	Operating man. Ita	K
412 53 28-05	Guide 535 Fra	A	412 60 81-46	Operating man. Spa	K
			412 60 81-51	Operating man. Ger	K
412 53 28-06	Guide 535 Hol	A	412 60 81-56	Operating man. Russian	K
412 53 28-07	Guide 535 Ita	A	412 60 81-82	Operating man. Pol	K
412 53 28-08	Guide 535 Ger	A	412 60 81-90	Operating man. Chz	K
412 53 28-09	Guide 535 Spa	A			
412 53 28-10	Guide 535 Pol	A	OPERATING MANUAL 535		
412 53 28-14	Guide 535 Austria	A	412 60 82-05	Operating man. Swe/Fin	K
412 53 30-01	Stitch plate (is used together with new hook cover version 412 75 31-01)	D	412 60 82-10	Operating man. Jap	K
			412 60 82-15	Operating man. Dan/Nor	K
412 55 01-01	Bobbin case compl.	D	412 60 82-25	Operating man. Fra/Dutch	K
			412 60 82-35	Operating man. Ger/Ita	K
412 56 15-45	Plastic bobbins (10-pac)	D,K	412 60 82-45	Operating man. Eng/Spa	K
412 56 85-01	Dust cover	D	412 60 82-56	Operating man. Russian	K
412 56 86-01	Adjusting washer	D			
412 57 01-01	Sleeve, lamp	K	OPERATING MANUAL 415/425		
412 58 25-01	Screw needle clamp (old version)	F	412 60 96-01	Operating man. Swe	K
412 72 23-01	Screw needle clamp (new version)	F	412 60 96-06	Operating man. Dan	K
412 60 13-01	Lid cover - 415,425	A	412 60 96-11	Operating man. Fin	K
412 60 13-02	Lid cover - Sarah, Lisa	A	412 60 96-21	Operating man. Nor	K
412 60 13-05	Lid cover Angelica	A	412 60 96-26	Operating man. Eng	K
412 60 40-81	Lid cover - 555,545,535	A	412 60 96-31	Operating man. Fra	K
			412 60 96-36	Operating man. Dutch	K
412 60 46-01	Name plate - 545	A	412 60 96-41	Operating man. Ita	K
412 60 46-02	Name plate - 555	A	412 60 96-46	Operating man. Spa	K
412 60 46-03	Name plate - 535	A	412 60 96-51	Operating man. Ger	K
412 60 48-02	Name plate - 425	A	412 60 96-56	Operating man. Russia	K
412 60 48-03	Name plate - 415	A	412 60 96-82	Operating man. Pol	K
412 60 48-09	Name plate - Victoria	A	412 60 96-90	Operating man. Chz	K
412 60 55-01	Foil key board 415	A			
412 60 58-01	Foil key board 425	A	OPERATING MANUAL LISA		
412 60 89-01	Cord device Korea	J	412 65 64-01	Operating man. Swe	K
			412 65 64-06	Operating man. Dan	K
412 62 18-01	Foot pedal- empty	J	412 65 64-11	Operating man. Fin	K
412 65 21-01	Hinge	A	412 65 64-21	Operating man. Nor	K
412 65 60-01	Foil key board Lisa	A	412 65 64-26	Operating man. Eng	K
412 66 34-01	Window- Lisa	A	412 65 64-31	Operating man. Fra	K
412 68 56-01	Eccentric feed	D	412 65 64-36	Operating man. Dutch	K
412 69 74-01	Foil keyboard Angelica	A	412 65 64-41	Operating man. Ita	K
412 73 62-01	Foil keyboard Victoria	A	412 65 64-51	Operating man. Ger	K
412 75 31-01	Hook cover new version (is used together with stitch plate 412 53 30-01)	D			
			OPERATING MANUAL ANGELICA		
721 11 87-50	Pin	F	412 69 77-11	Operating man. FIN	K
721 41 64-50	Pin	C	412 69 77-26	Operating man. ENG	K
721 41 69-70	Pin	E	412 69 77-31	Operating man. FRA	K
721 41 87-70	Pin	D,H	412 69 77-36	Operating man. Dutch	K
721 42 10-10	Pin	D	412 69 77-41	Operating man. ITA	K
725 52 20-05	Screw M3*6	E	412 69 77-51	Operating man. GER	K
725 62 91-01	Screw M4*12	F			
728 52 17-05	Screw M3*3	E,F	OPERATING MANUAL VICTORIA		
728 52 18-05	Screw M5*6 (old version)	F	412 73 65-01	Operating man. Swe	K
412 52 19-05	Screw M5*6 (new version)	F	412 73 65-06	Operating man. Dan	K
728 52 85-05	Screw M4*6	F	412 73 65-11	Operating man. Fin	K
			412 73 65-21	Operating man. Nor	K
728 52 87-05	Screw M4*8	D	412 73 65-26	Operating man. Eng	K
728 53 20-05	Screw M5*5	H	412 73 65-31	Operating man. Fra	K
728 73 20-01	Screw	H	412 73 65-36	Operating man. Dutch	K
728 73 64-05	Screw 6*10 mm	B	412 73 65-41	Operating man. Ita	K
728 82 83-05	Screw M4*4	D,H	412 73 65-51	Operating man. Ger	K
735 21 36-01	Locking washer	B			

A

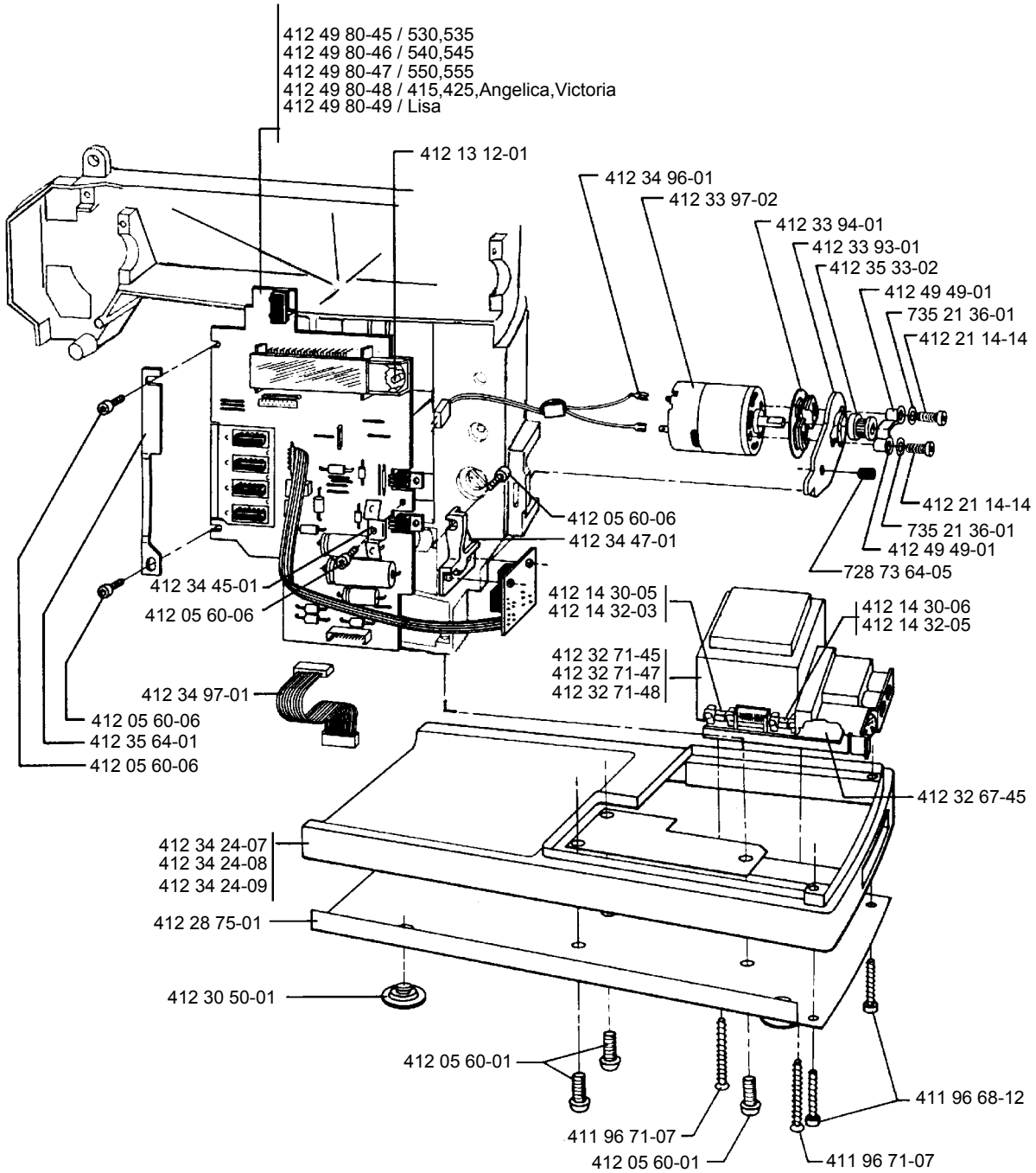


412 45 25-10 / 425
412 45 25-11 / 415
412 45 25-17 / Lisa
412 45 25-21 / Victoria

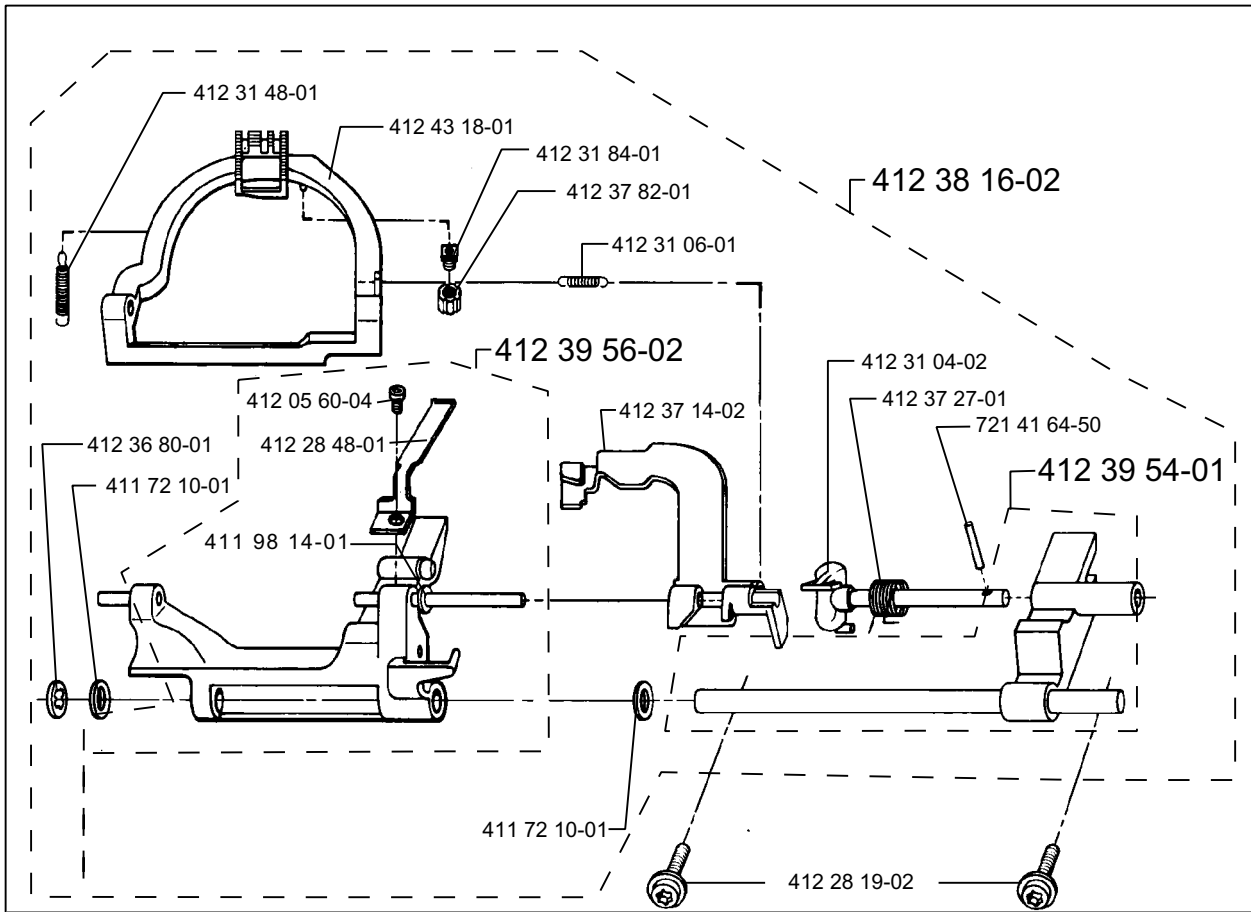
415, 425
Angelica
Lisa
Victoria



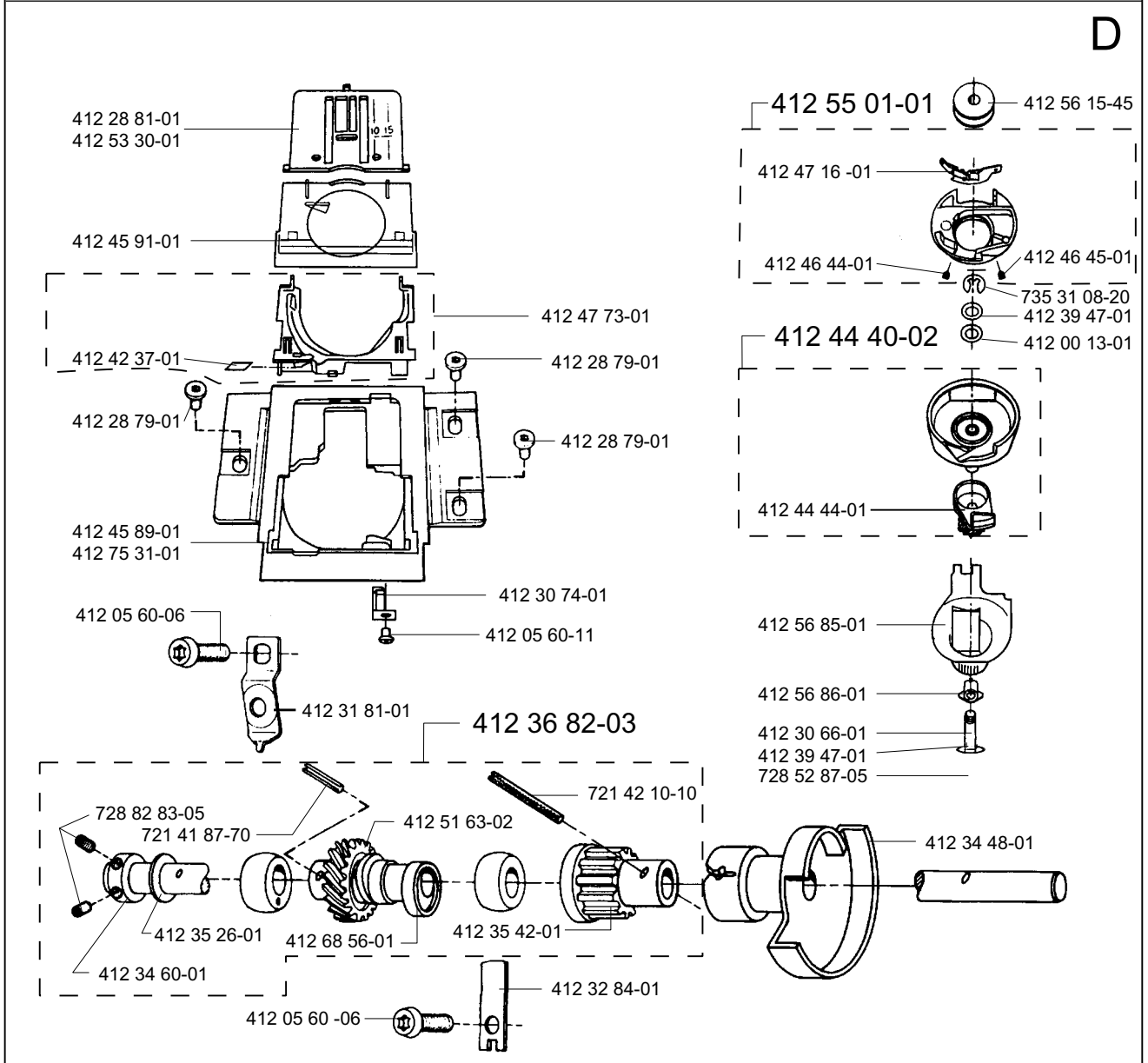
B



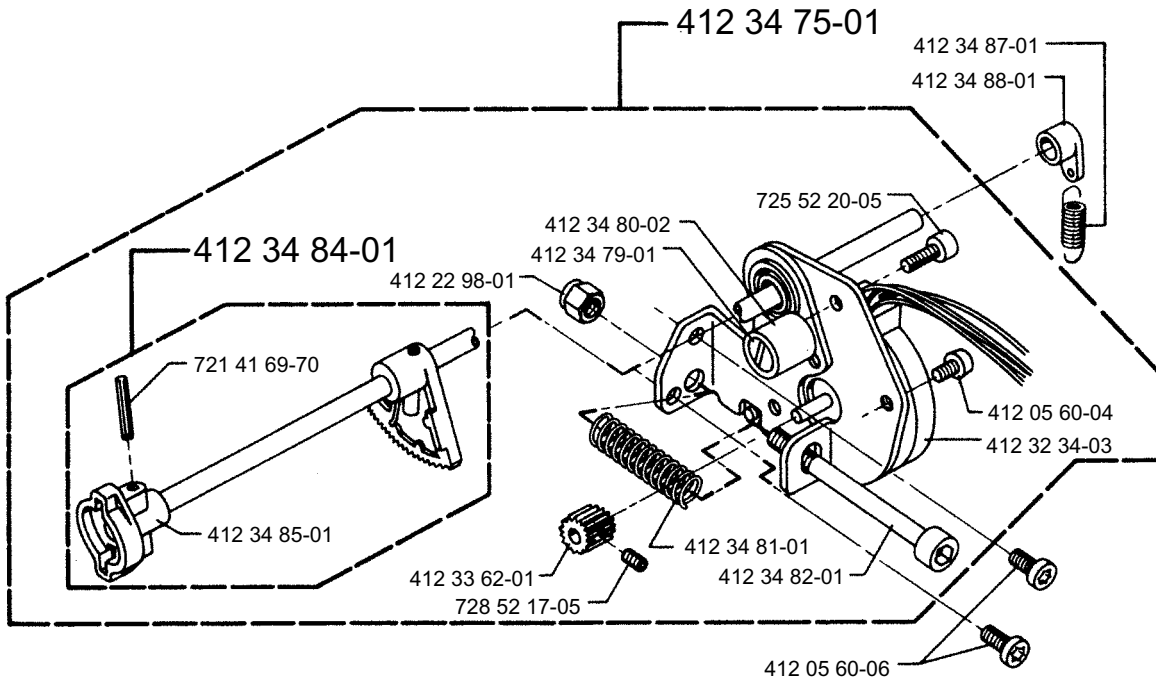
C



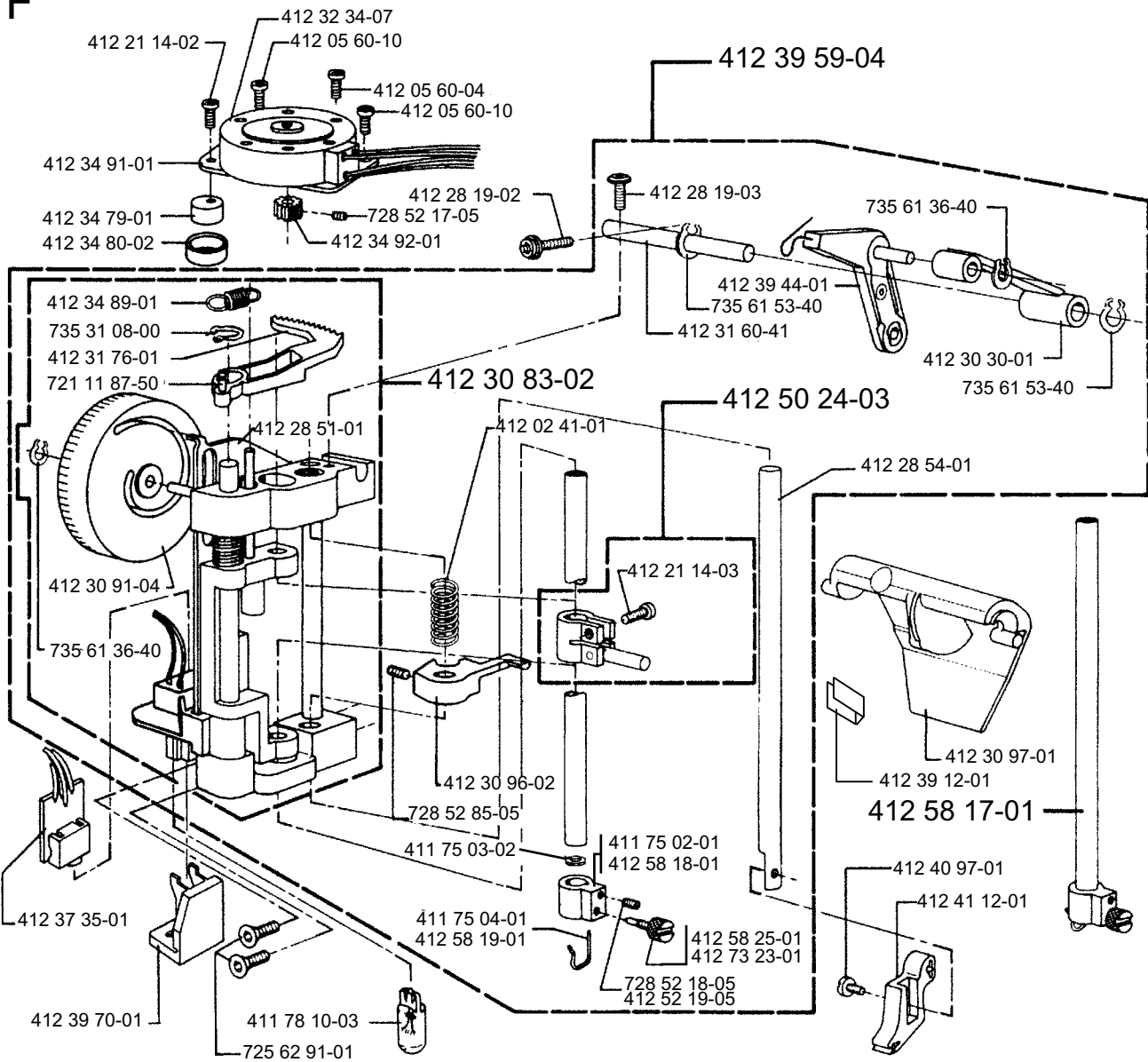
D



E

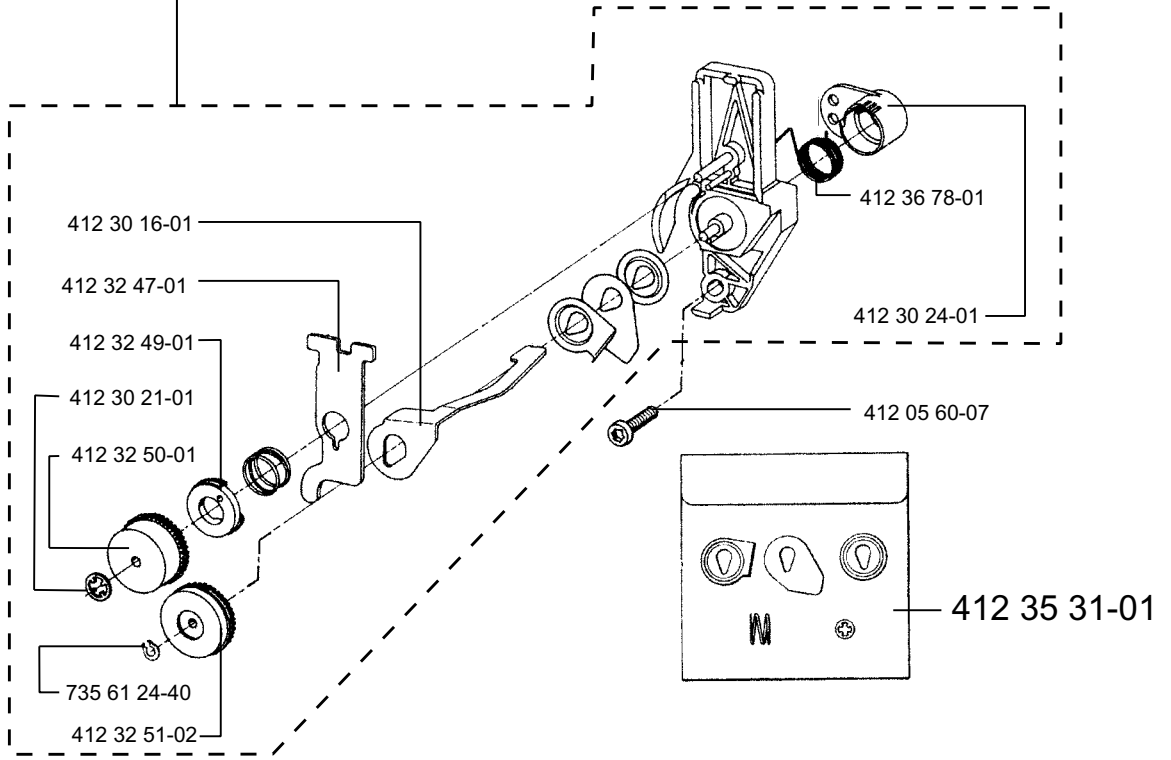


F



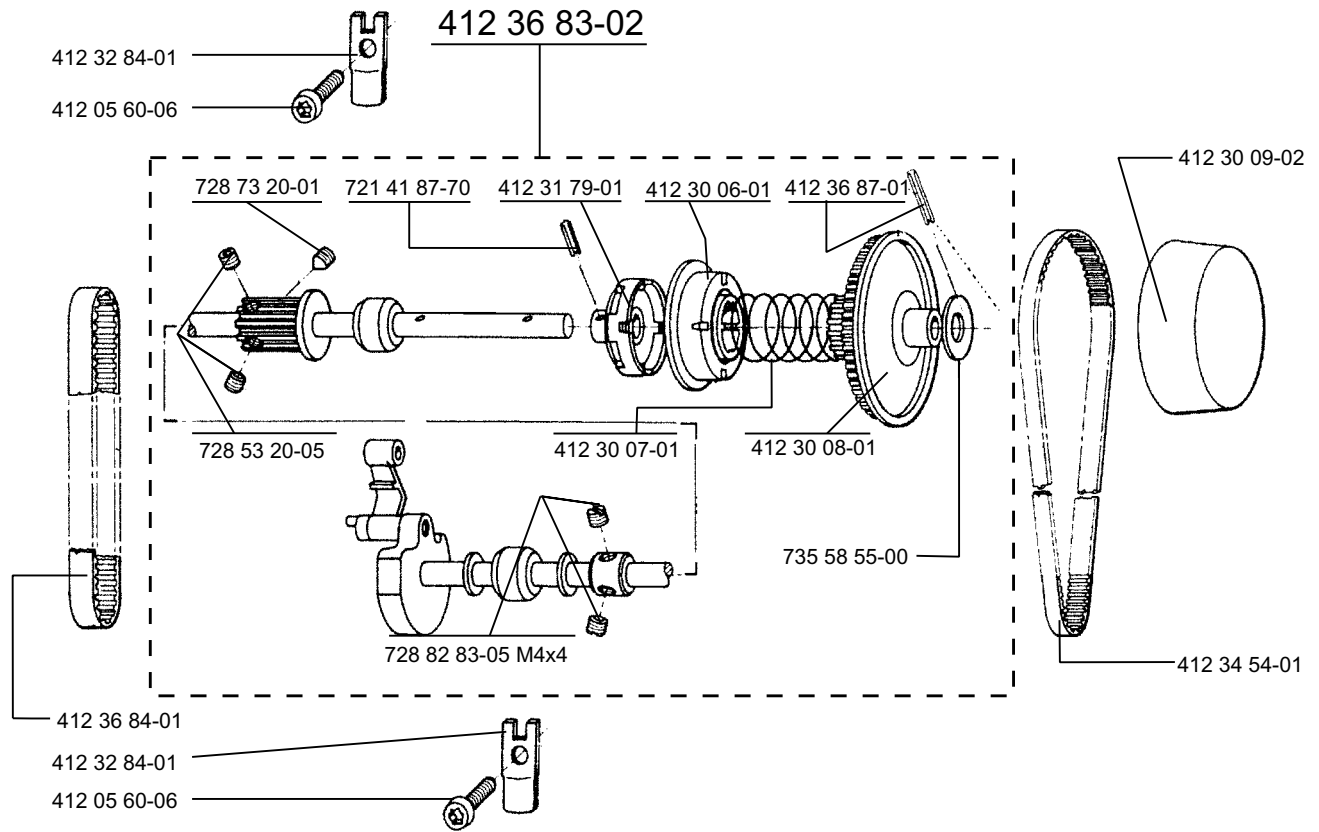
G

412 32 45-03



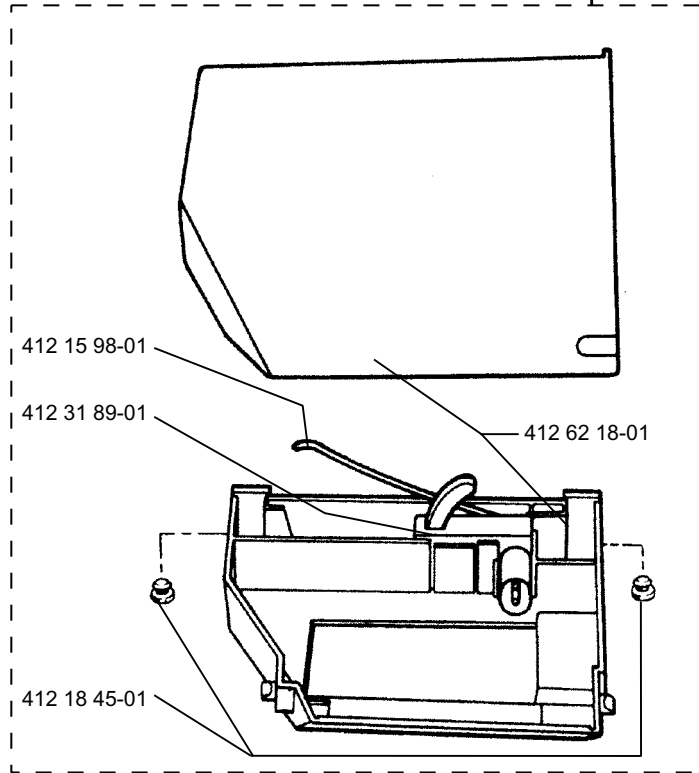
H

412 36 83-02

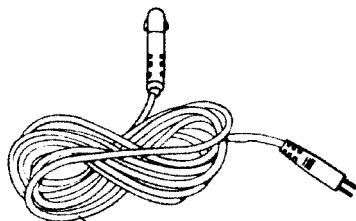
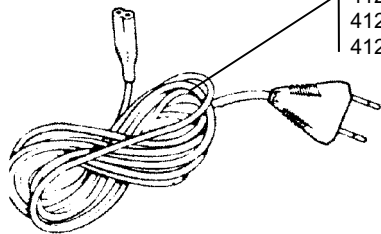


J

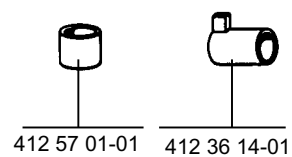
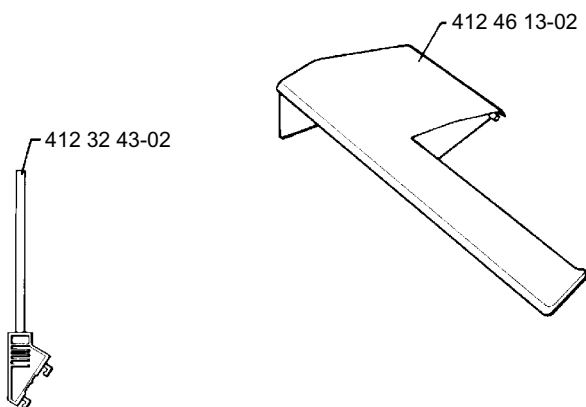
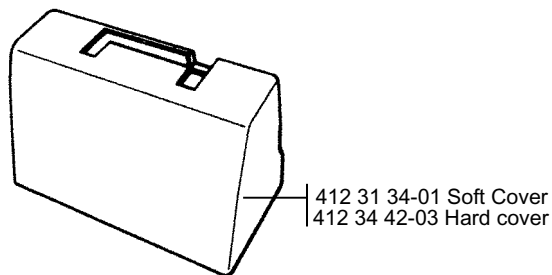
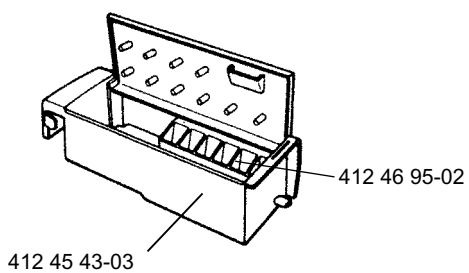
412 31 41-02



- 412 15 78-01 / 220V
- 412 15 79-02 / Japan 120V
- 412 15 79-03 / 120V
- 412 15 80-02 / UK
- 412 15 81-01 / Australia
- 412 60 89-01 / Korea 220-240V



- 412 31 44-01 / Standard
- 412 31 44-02 / USA , Canada



ACCESSORIES



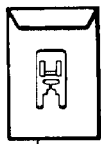
412 35 31-01
Thread tension
set



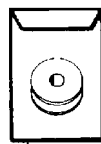
412 39 09-19
Plastic bag
with access.
555,545.



412 39 09-20
Plastic bag
with access.
535, Lisa.

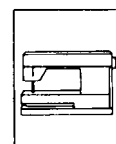


412 39 09-21
Plastic bag
with access.
415, 425,
Angelica,
Victoria.



412 56 15-45
Plastic bobbins
10 pac.

OPERATING MANUALS



Service Advice No : 2003/12-26

Date: 2003-05-23

Model: Husqvarna Viking VIVA

New activity machine Husqvarna Viking Viva

We will launch a new activity machine in august, It is named Viva and this machine is comparable to the Freesia 415.

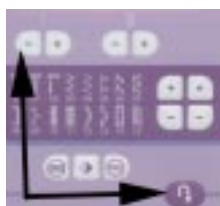
Below is listed the new parts for Viva compared to a Freesia 415.

Description	Partnumber	Comparable parts	Comparable nr:
Users Guide Swe	412 7965-01	Users Guide Swe	412 6564-01
Users Guide Den	412 7965-06	Users Guide Den	412 6564-06
Users Guide Fin	412 7965-11	Users Guide Fin	412 6564-11
Users Guide Nor	412 7965-21	Users Guide Nor	412 6564-21
Users Guide Eng	412 7965-26	Users Guide Eng	412 6564-26
Users Guide Fra	412 7965-31	Users Guide Fra	412 6564-31
Users Guide Hol	412 7965-36	Users Guide Hol	412 6564-36
Users Guide Ita	412 7965-41	Users Guide Ita	412 6564-41
Users Guide Germ	412 7965-51	Users Guide Germ	412 6564-51
Foil key board VIVA	412 7974-01	Foil key board Lisa	412 6560-01
Name plate / Lid Cover	412 6048-11	Name plate/Lid Cover Victoria	412 6048-09
Back Cover printed	412 4519-18	Back Cover Printed Lisa	412 4519-08

Service program of the machine

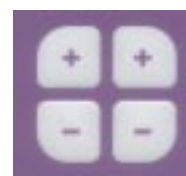
To enter the service program of the Viva use the foil keyboard 412 7974-01 and follow the instructions

Adjustment in the service program- Viva



Enter the service program of the machine by pressing **the minus (-) stitch length button** and **the reverse feed button** as the main switch is switched on.

The display will now show the service menu.



the stitch selector buttons

To select the different service functions in the service menu use **the stitch selector buttons (-) and (+)**.

With the left buttons - it will go between the tens.

With the right buttons - it will go between 1-9.

The number of the selected stitch is displayed to the right in the Infodisplay

Note! Every time the (+) key is pressed it will step up one step to the next figure or if the (-) key is pressed it will step down one step to the next figure.

Note!

Electronic button hole balance

It is not possible to do any electronic button hole balance on the Viva