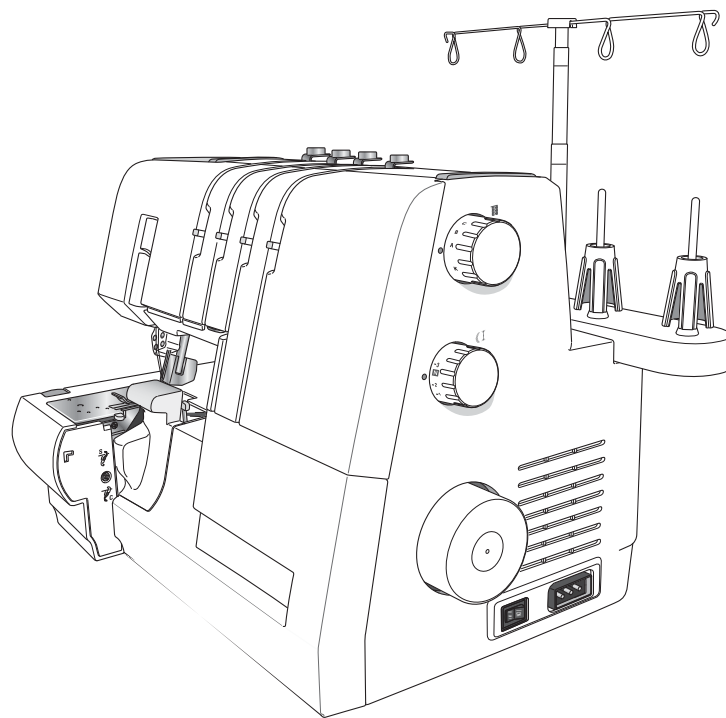


PARTS LIST



Huskylock™ s21



Please note that on disposal, this product must be safely recycled in accordance with relevant National legislation relating to electrical/electronic products. If in doubt please contact your retailer for guidance.



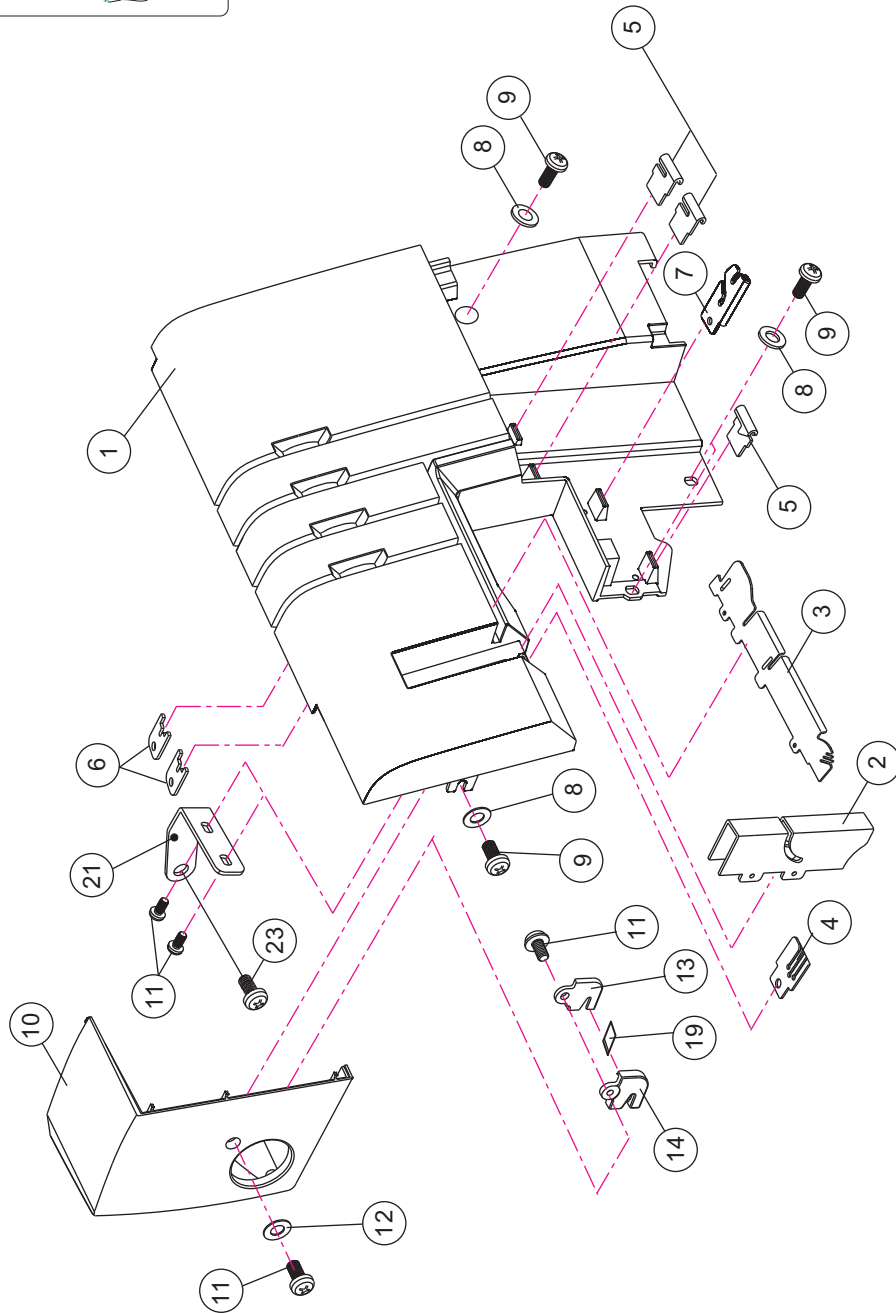
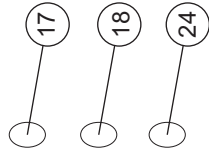
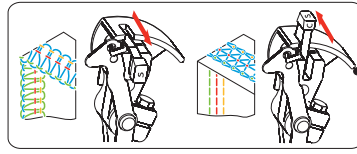
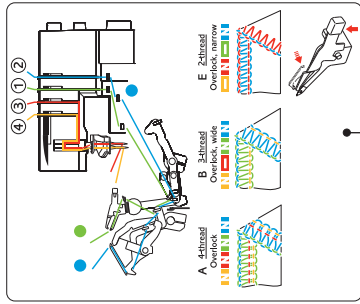
Bitte beachten Sie, dass hinsichtlich der Entsorgung dieses Produkts, vorschriftsmäßig entsprechend der gültigen nationalen Gesetzgebung für elektrische/elektronische Produkte, recycelt werden muss. Bei Zweifel setzen Sie sich bitte mit Ihrem Fachhändler in Verbindung.



Veillez noter qu'en cas de destruction, ce produit doit bénéficier d'un recyclage sécurisé, conforme à la législation nationale applicable aux produits électriques/électroniques. En cas de doute, veuillez contacter votre distributeur agréé.

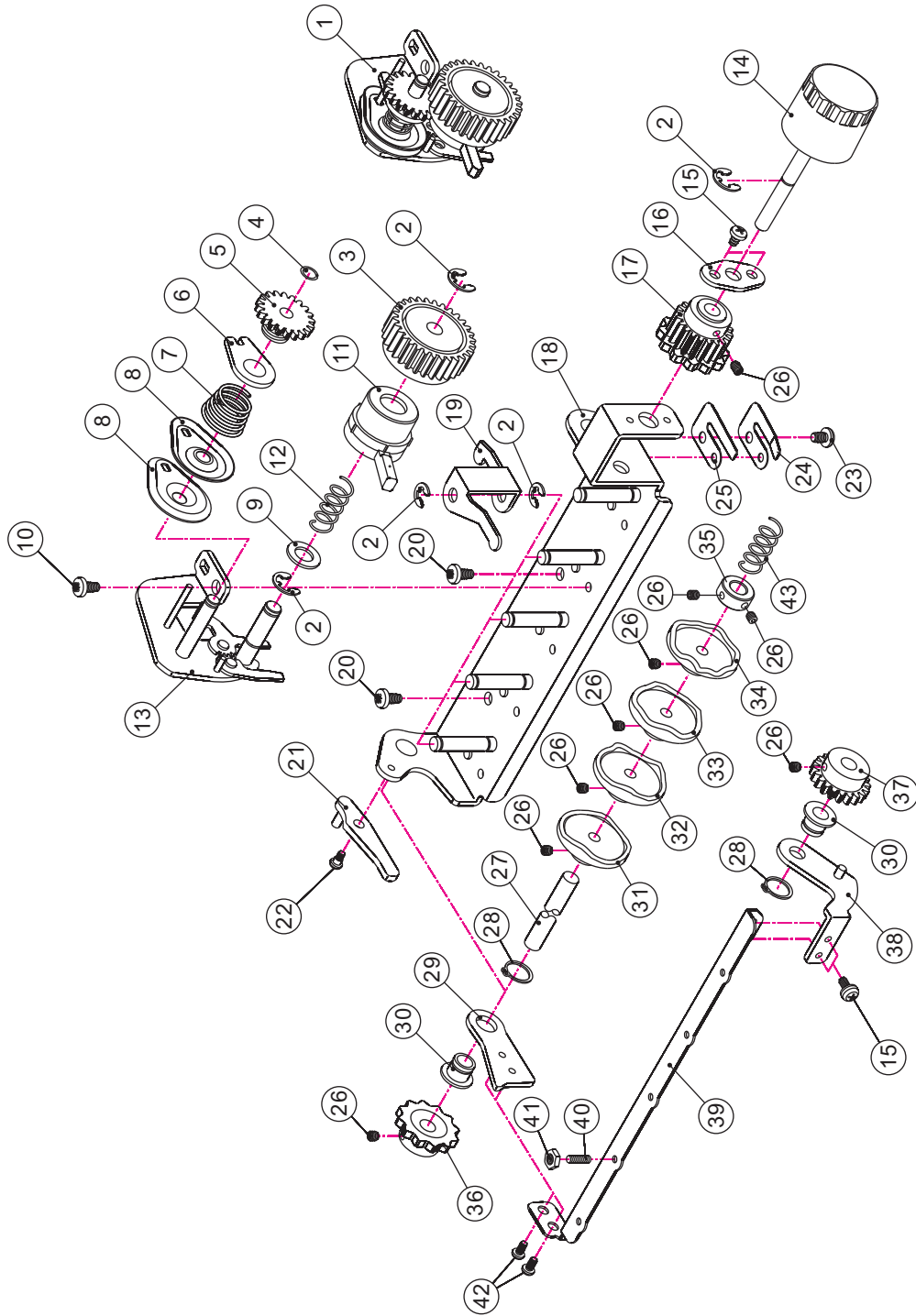
- All casted parts within our products are marked with name of material if allowed by size.
- All molded plastic parts within our products are marked with name of material if allowed by size.

A

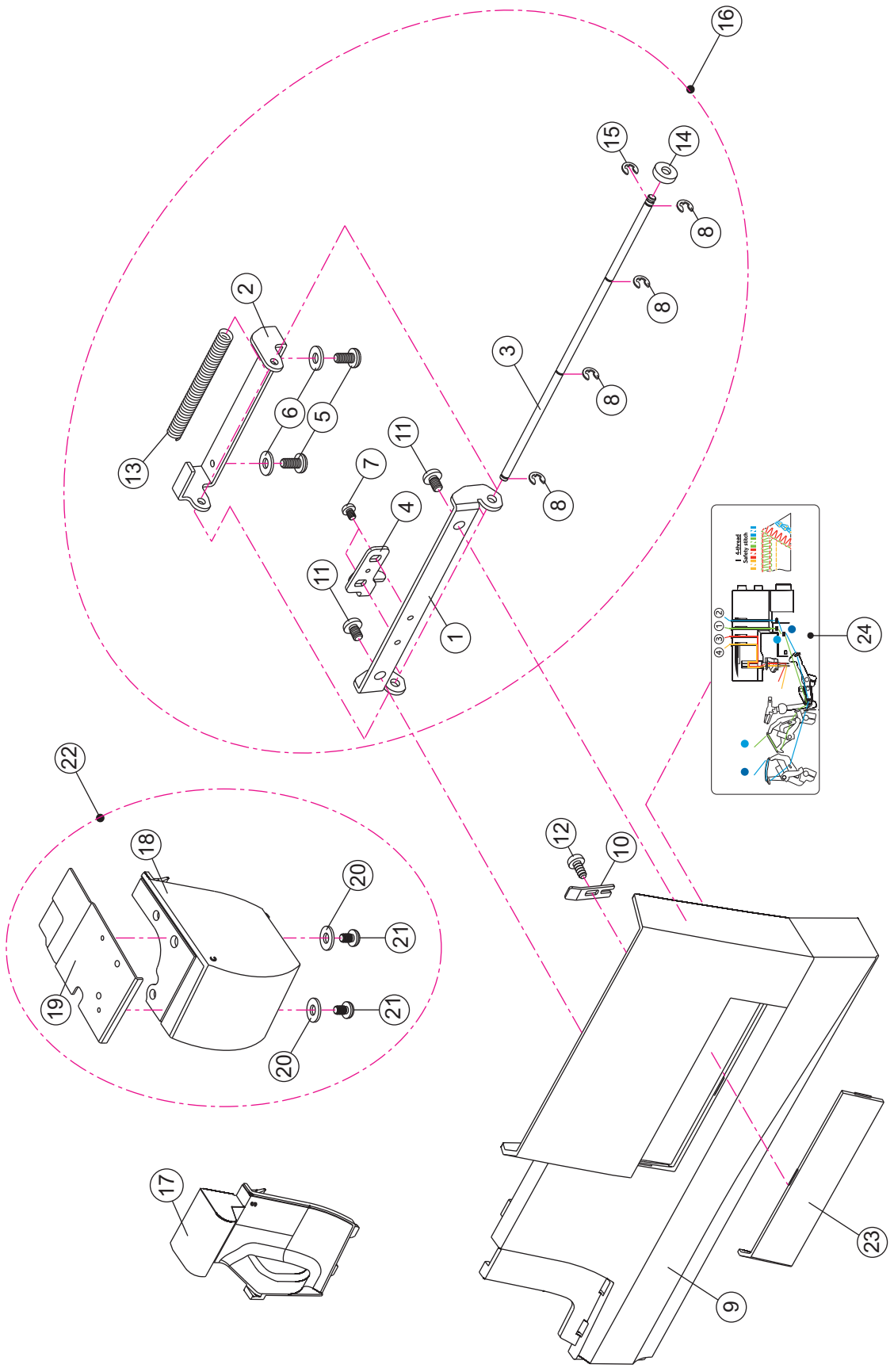


NO.	PART NO.	DESCRIPTION
1	416373201	FRONT PANEL SET(NO.1.2.3.4.5.6.7.15.16.17.18.21.22.24 INCLUDED)
2	N/S	THREAD TAKE-UP COVER
3	N/S	THREAD GUIDE (B)
4	N/S	THREAD GUIDE (C)
5	N/S	THREAD GUIDE (F)
6	N/S	THREAD GUIDE (D)
7	N/S	LOWER LOOPER THREAD GUIDE (A)
8	N/S	WASHER
9	N/S	SET SCREW
10	416373301	BULB COVER
11	416377401	SET SCREW
12	N/S	WASHER
13	416373401	KNIFE HOLDER
14	416373501	KNIFE HOLDER CAP
15	N/S	THREAD GUIDE STICKER
16	N/S	CLUTCH LEVER STICKER
17	N/S	COLOR STICKER (GREEN)
18	N/S	COLOR STICKER (BLUE)
19	416359601	THREAD CUTTING
20	416377401	SET SCREW
21	N/S	FRONT COVER FIXING BOARD
22	416377401	SET SCREW
23	416390601	SET SCREW
24	N/S	COLOR STICKER (BLUE)

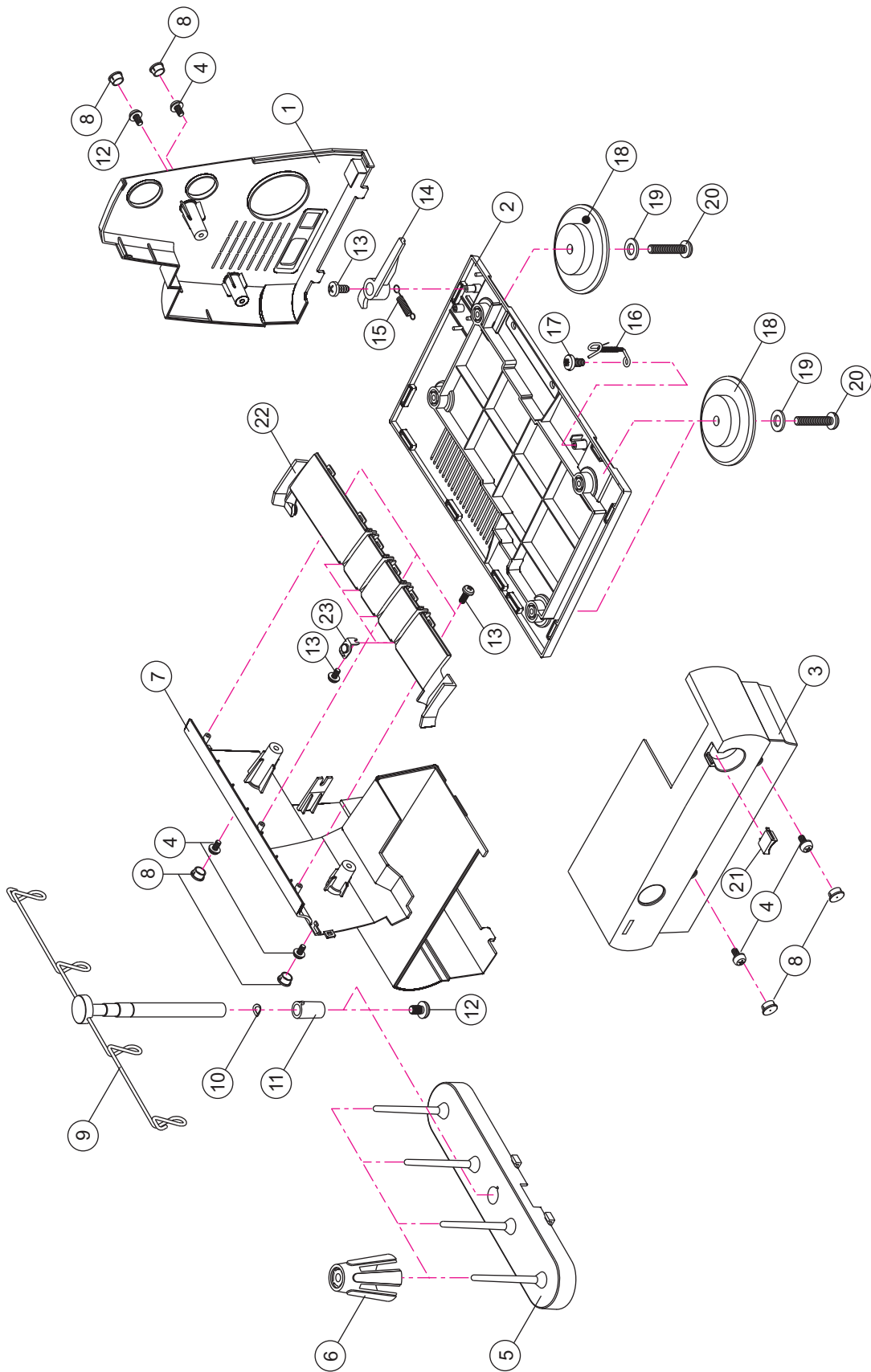
B



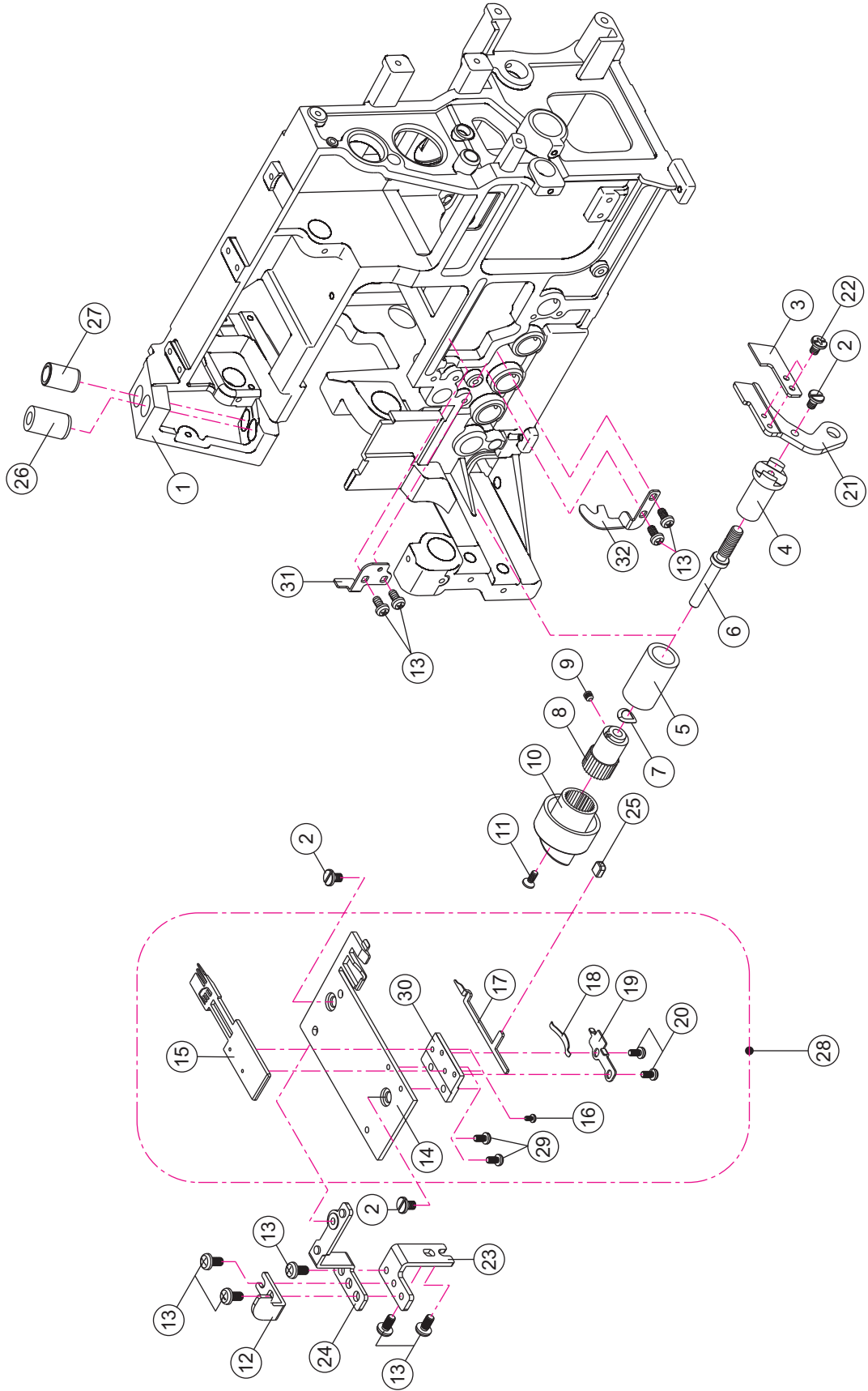
NO.	PART NO.	DESCRIPTION
1	416373601	TENSION FINE TUNING DIAL SET (NO.2.3.4.5.6.7.8.9.11.12.13 INCLUDED)
2	N/S	E RING
3	N/S	TENSION FINE TUNING GEAR
4	N/S	RING
5	N/S	TENSION REGULATE GEAR
6	N/S	TENSION REGULATE NUT
7	416359801	TENSION SPRING
8	416359901	TENSION DISC
9	N/S	WASHER
10	N/S	SET SCREW
11	N/S	TENSION FINE TUNING DIAL
12	N/S	SPRING
13	N/S	TENSION DIAL HOLDER SET
14	N/S	AUTO TENSION DIAL SELECTION
15	N/S	SET SCREW
16	N/S	AUTO TENSION DIAL SELECTION SHAFT HOLDER
17	N/S	TENSION FIXED GEAR
18	N/S	TENSION DIAL HOLDER
19	N/S	TENSION TRANSMITTING ARM
20	N/S	SET SCREW
21	N/S	TENSION RESTORING PLATE
22	N/S	SET SCREW
23	N/S	SET SCREW
24	N/S	SPRING
25	N/S	SPRING
26	416377201	SET SCREW
27	N/S	TENSION CAM SHAFT
28	N/S	C RING
29	N/S	RESTORING PLATE (B)
30	N/S	RESTORING PLATE BUSHING
31	N/S	TENSION CAM (A)
32	N/S	TENSION CAM (B)
33	N/S	TENSION CAM (C)
34	N/S	TENSION CAM (D)
35	N/S	RESTORING GEAR
36	N/S	TENSION GEAR
37	N/S	RESTORING PLATE (A)
38	N/S	RESTORING REGULATE PLATE
39	N/S	SET SCREW
40	N/S	NUT
41	N/S	SET SCREW
42	N/S	SET SCREW



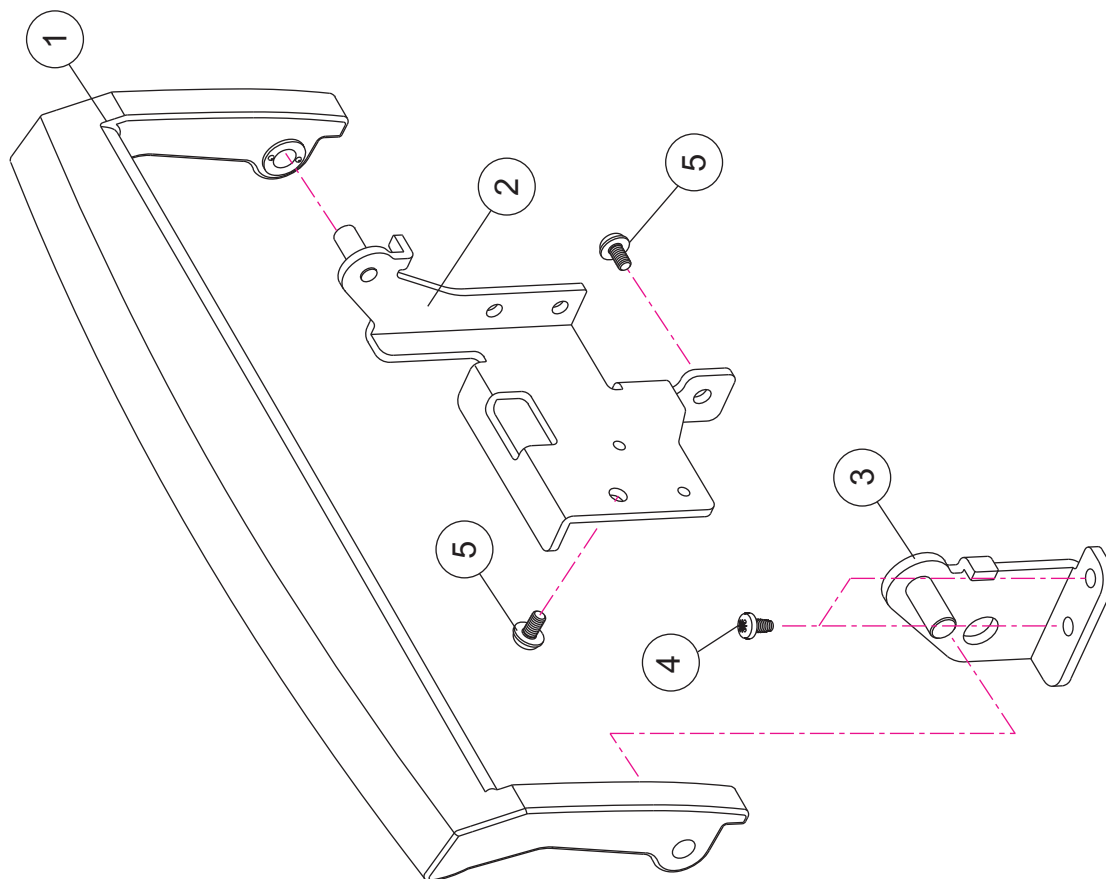
NO.	PART NO.	DESCRIPTION
1	N/S	FRONT COVER HINGE (A)
2	N/S	FRONT COVER HINGE (B)
3	N/S	FRONT COVER HINGE SHAFT
4	N/S	HINGE LOCATING BOARD
5	N/S	SET SCREW
6	N/S	WASHER
7	N/S	SET SCREW
8	N/S	E RING
9	416373701	FRONT COVER
10	416377301	FRONT COVER SETTING PLATE
11	N/S	SET SCREW
12	416377401	SET SCREW
13	N/S	FRONT COVER HINGE SPRING
14	N/S	CONNECTING PRESS PLATE
15	N/S	E RING
16	416374201	FRONT COVER HINGE SET(NO.1.2.3.4.5.6.7.8.11.13.14.15 INCLUDED)
17	416373801	CUTTER COVER (S)
18	N/S	CUTTER COVER (C)
19	N/S	CUTTER COVER (B) GUIDE PLATE
20	N/S2	WASHER
21	N/S	SET SCREW
22	416373901	CUTTER COVER (C) SET (NO.18.19.20.21 INCLUDED)
23	416374001	FRONT COVER WINDOW
24	416374101	THREAD GUIDE STICKER



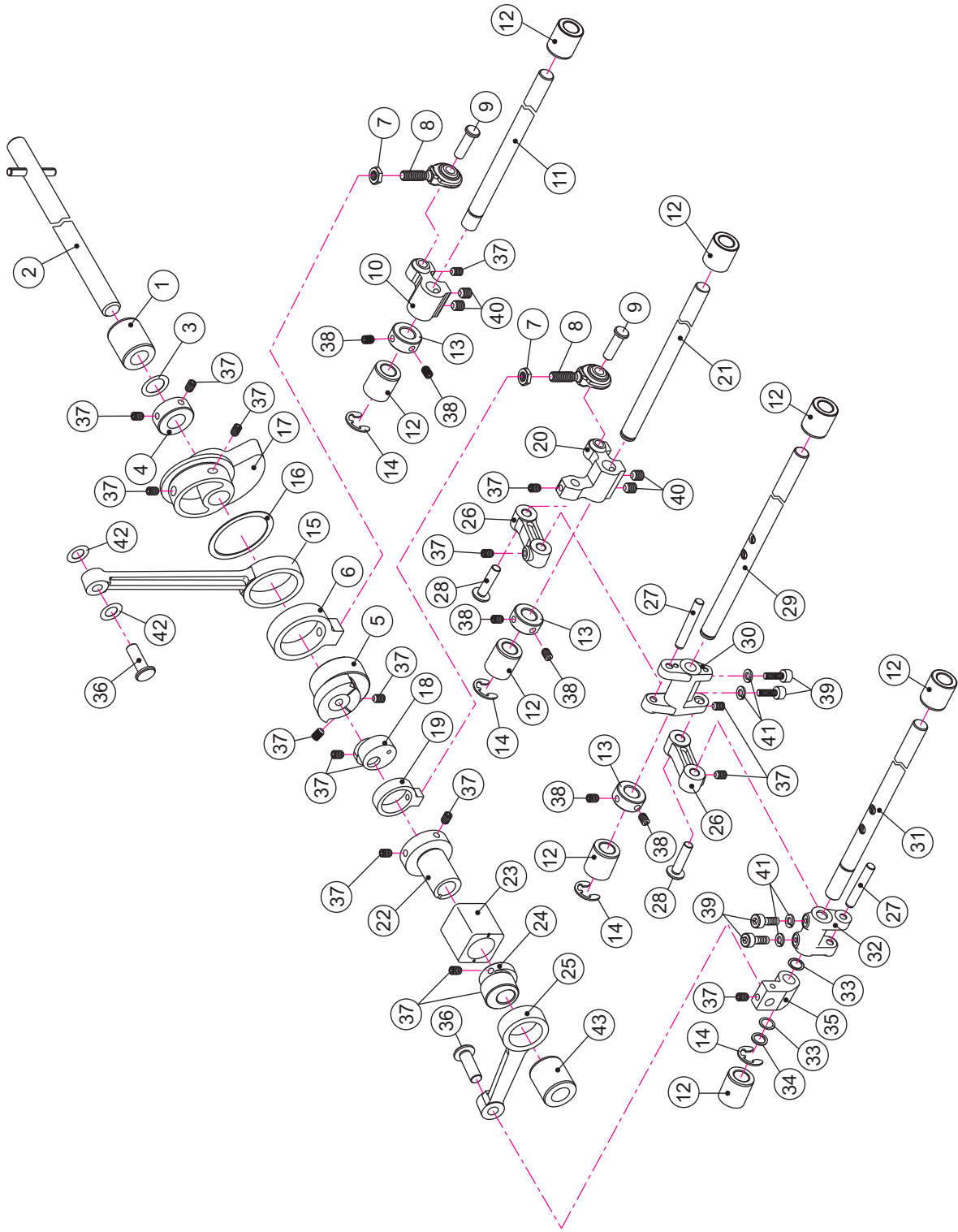
NO.	PART NO.	DESCRIPTION
1	416374401	SIDE COVER
2	416374501	BASE PLATE
3	416374601	FLAT BED EXTENSION
4	N/S	SET SCREW
5	416374701	SPOOL STAND
6	416360701	CONE HOLDER
7	416374801	BACK COVER
8	416360901	SCREW CAP
9	416374901	TELESCOPIC THREAD STAND
10	N/S	WAVE WASHER
11	416361101	EXTENSION BAR SETTING
12	N/S	SET SCREW
13	416377401	SET SCREW
14	416361201	MICRO SWITCH CONTRACTOR SPRING
15	416361301	SPRING
16	416361401	CHAIN LOOPER THREAD GUIDE SET
17	N/S	SET SCREW
18	416361501	RUBBER
19	N/S	WASHER
20	N/S	SET SCREW
21	416375001	CUTTING WIDTH WINDOW
22	416375101	TOP COVER
23	416362801	THREAD GUIDE PLATE



NO.	PART NO.	DESCRIPTION
1	N/S	MACHINE FRAME
2	N/S	SET SCREW
3	416361601	LOWER CUTTER
4	416361701	LOWER CUTTER HOLDER
5	N/S	LOWER CUTTER HOLDER BUSHING
6	N/S	CUTTING WIDTH KNOB SHAFT
7	N/S	WAVE WASHER
8	N/S	CUTTING WIDTH KNOB
9	416377201	SET SCREW
10	416375201	CUTTING WIDTH DIAL
11	416377601	SET SCREW
12	N/S	FRONT FEED DOG GUIDE BOARD
13	N/S	SET SCREW
14	N/S	STITCH PLATE
15	N/S	FIXED LEVER
16	N/S	SET SCREW
17	N/S	MOVING LEVER
18	N/S	LOCATING SPRING
19	N/S	MOVING LEVER HOLDER
20	N/S	SET SCREW
21	416362101	LOWER CUTTER SUPPORT
22	N/S	SET SCREW
23	N/S	NEEDLE PLATE LOCATING BOARD SUPPORT
24	N/S	NEEDLE PLATE LOCATING BOARD
25	416362201	STITCH FINGER LEVER
26	416377701	NEEDLE BAR BUSHING
27	N/S	PRESSER BAR BUSHING
28	416362301	STITCH PLATE SET (NO.14.15.16.17.18.19.20 .29.30 INCLUDED)
29	N/S	SET SCREW
30	N/S	FIXED BOARD
31	N/S	FEED DOG HOLDER GUIDE BOARD (REAR)
32	N/S	FEED DOG HOLDER GUIDE BOARD (FRONT)
33	N/S	SET SCREW

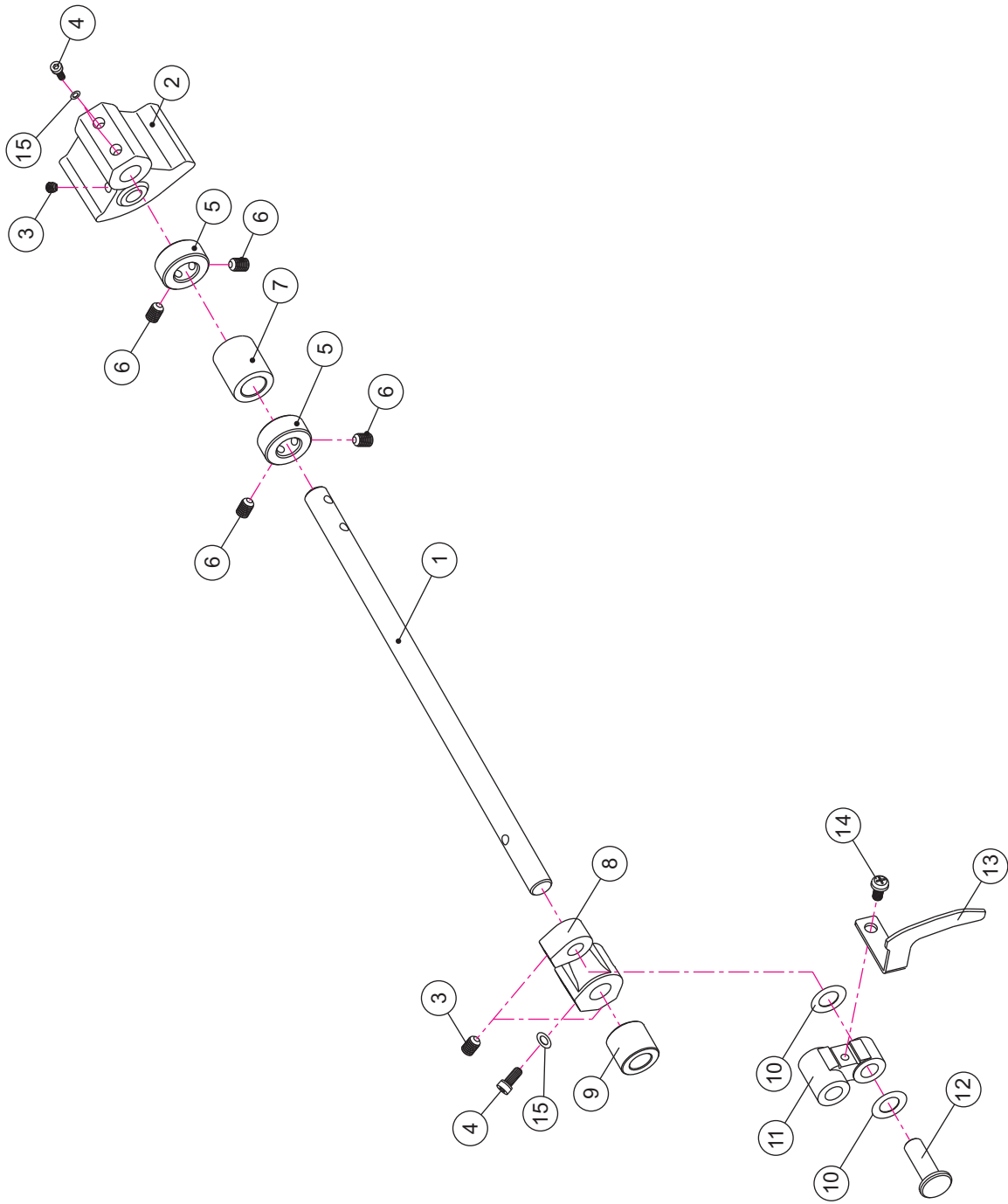


NO.	PART NO.	DESCRIPTION
1	416375301	HANDLE HOLDER
2	416375401	HANDLE SUPPORTER SET(R)
3	416375501	HANDLE SUPPORTER SET(L)
4	N/S	SET SCREW
5	N/S	SET SCREW

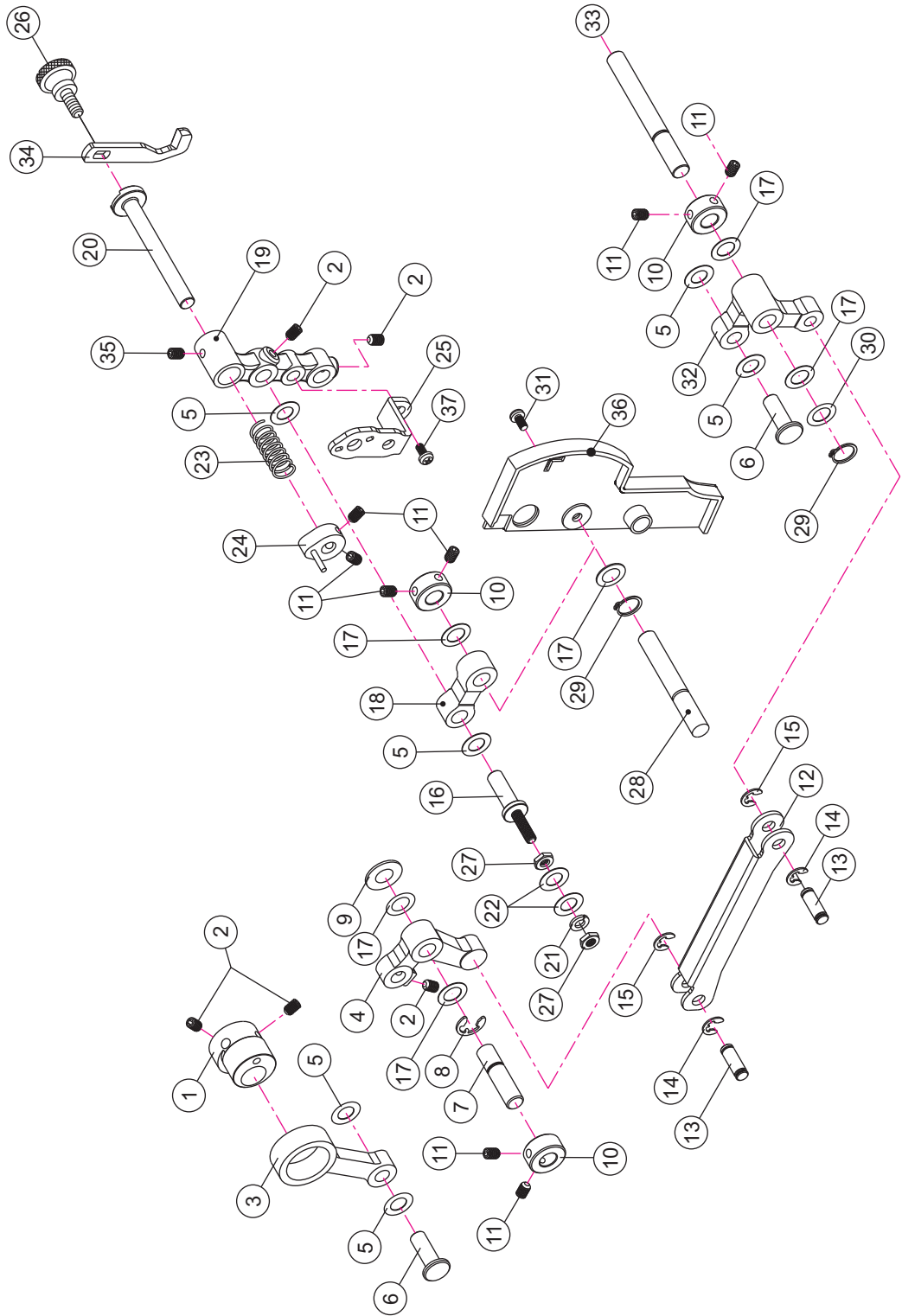


NO.	PART NO.	DESCRIPTION
1	416362901	MAIN SHAFT BUSHING
2	N/S	MAIN SHAFT SET
3	N/S	WASHER
4	N/S	SETTING COLLAR
5	416363101	LOOPER CAM (A)
6	416363201	LOOPER LINK
7	N/S	NUT
8	N/S	BEARING
9	N/S	LOOPER SHAFT LINK PIN
10	N/S	LOOPER SHAFT LINK
11	N/S	UPPER LOOPER SHAFT
12	416363001	LOOPER SHAFT BUSHING
13	N/S	SETTING COLLAR
14	N/S	E RING
15	416363301	NEEDLE BAR CONNECTING BAR
16	416363401	WASHER
17	416363501	NEEDLE BAR CAM
18	416363601	LOWER LOOPER CAM
19	416363701	LOOPER LINK (B)
20	N/S	LOOPER SHAFT LINK
21	N/S	COVER STITCH DRIVING SHAFT
22	416363801	FEED DOG CAM
23	416363901	FEED DOG SUPPORTER SLIDE BLOCK
24	416364001	COVER STITCH LOOPER CAM
25	N/S	COVER STITCH LINK
26	N/S	WAVER LINK BAR
27	N/S	WAVER LINK BAR PIN (B)
28	N/S	WAVER LINK BAR PIN (A)
29	N/S	LOWER LOOPER SHAFT
30	N/S	LOWER LOOPER SHAFT LINK (B)
31	N/S	COVER STITCH SHAFT
32	N/S	WAVER STITCH SHAKING ARM
33	N/S	WASHER
34	N/S	WASHER
35	N/S	SHAFT DRIVING SUPPORT
36	N/S	FEED DOG LINK PIN (B)
37	N/S	SET SCREW
38	416377201	SET SCREW
39	N/S	SET SCREW
40	N/S	SET SCREW
41	N/S	WASHER
42	N/S	WASHER
43	416380901	MAIN SHAFT BUSHING

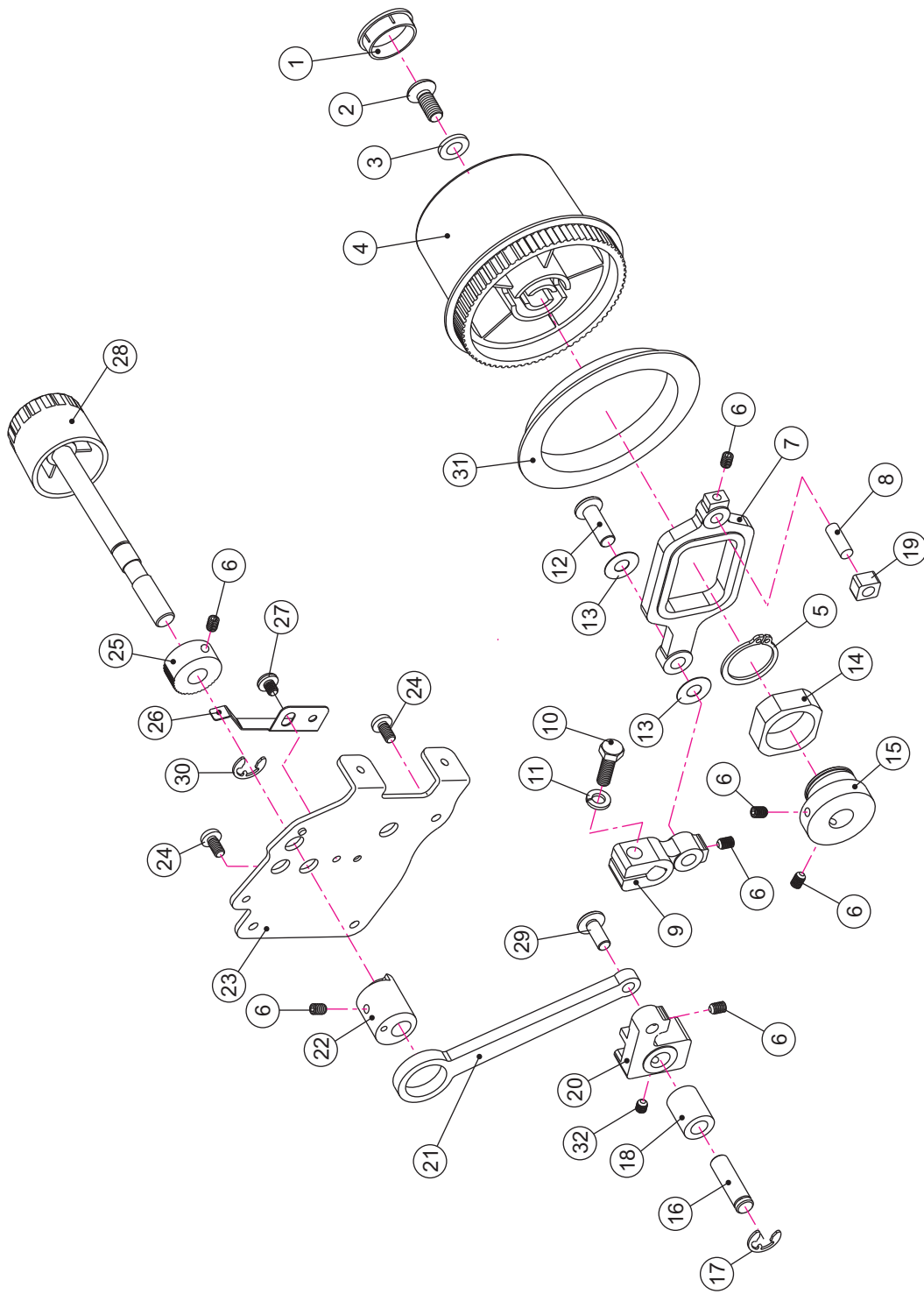
H



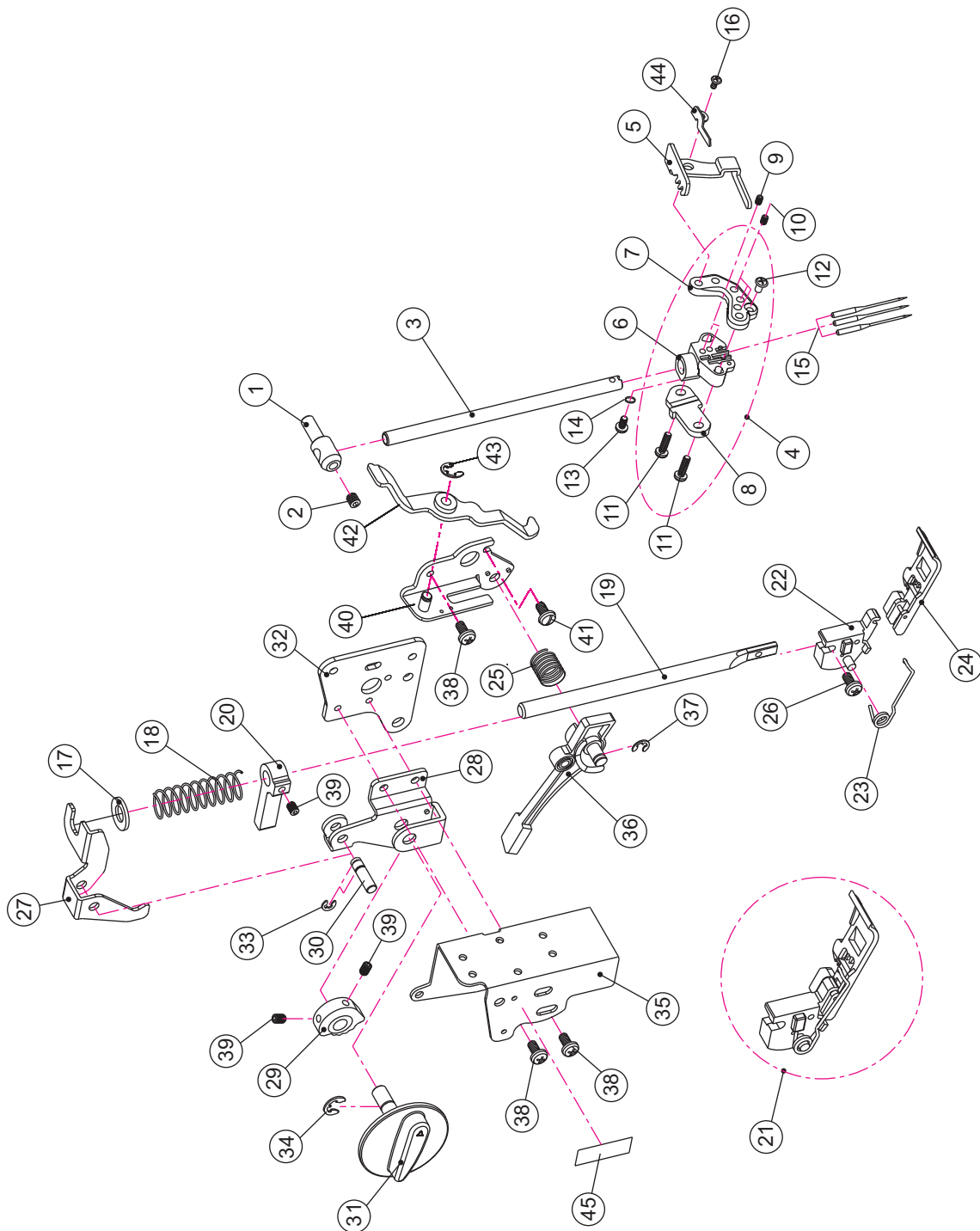
NO.	PART NO.	DESCRIPTION
1	N/S	NEEDLE BAR LINK SHAFT
2	N/S	NEEDLE BAR CRANK (R)
3	N/S	SET SCREW
4	N/S	SET SCREW
5	N/S	SETTING COLLAR
6	416377201	SET SCREW
7	416363001	LOOPER SHAFT BUSHING
8	N/S	NEEDLE BAR CRANK (L)
9	N/S	LOOPER SHAFT BUSHING
10	N/S	WASHER
11	N/S	NEEDLE BAR CONNECTING ARM
12	N/S	FEED DRIVE LINK PIN (B)
13	416377801	NEEDLE BAR THREAD TAKE-UP LEVER
14	416377601	SET SCREW
15	N/S	WASHER



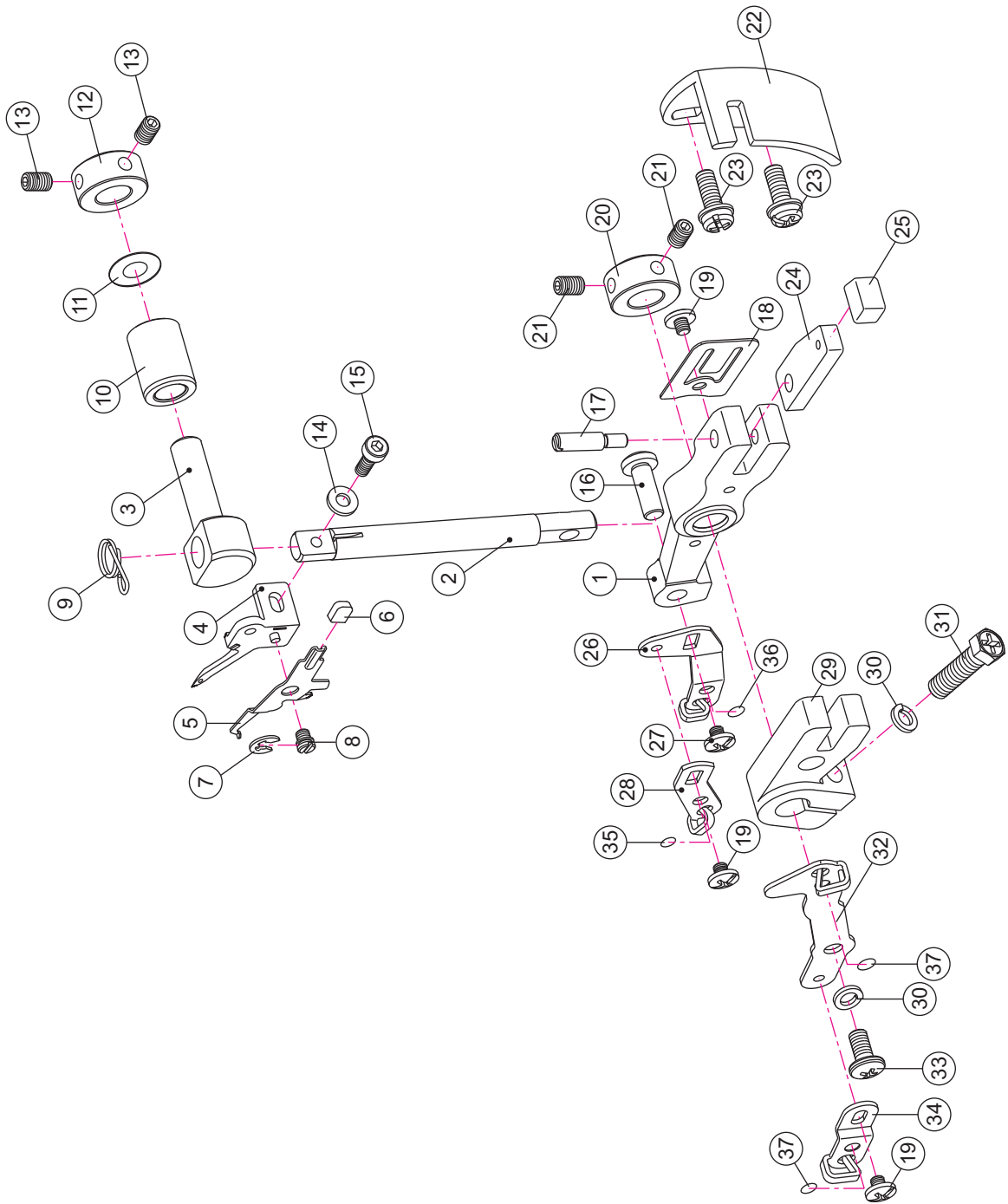
NO.	PART NO.	DESCRIPTION
1	N/S	UPPER CUTTER CAM
2	N/S	SET SCREW
3	N/S	UPPER CUTTER SHAKE LINK
4	N/S	UPPER CUTTER SHAKE ARM
5	N/S	WASHER
6	N/S	FEED DRIVE LINK PIN (B)
7	N/S	UPPER CUTTER SHAKE ARM SHAFT
8	N/S	E RING
9	N/S	WASHER
10	N/S	SETTING COLLAR
11	416377201	SET SCREW
12	N/S	UPPER CUTTER LINK
13	N/S	UPPER CUTTER LINK PIN
14	N/S	E RING
15	N/S	E RING
16	N/S	UPPER CUTTER ARM SHAFT
17	N/S	WASHER
18	N/S	UPPER CUTTER ARM SUPPORT BAR
19	N/S	UPPER CUTTER ARM
20	416364201	UPPER CUTTER HOLDER
21	N/S	SPRING WASHER
22	N/S	WASHER
23	416364301	UPPER CUTTER SPRING
24	416364401	UPPER CUTTER SETTING COLLAR
25	N/S	UPPER CUTTER HOLDER SUPPORT
26	416292601	SET SCREW
27	N/S	NUT
28	N/S	UPPER CUTTER ARM SUPPORT BAR SHAFT
29	N/S	C RING
30	N/S	WASHER
31	416377601	SET SCREW
32	N/S	UPPER CUTTER ARM DRIVE ARM
33	N/S	UPPER CUTTER SHAKE ARM SHAFT
34	416364601	UPPER CUTTER
35	416293101	SET SCREW
36	416383201	UPPER CUTTER SET COVER
37	N/S	SET SCREW



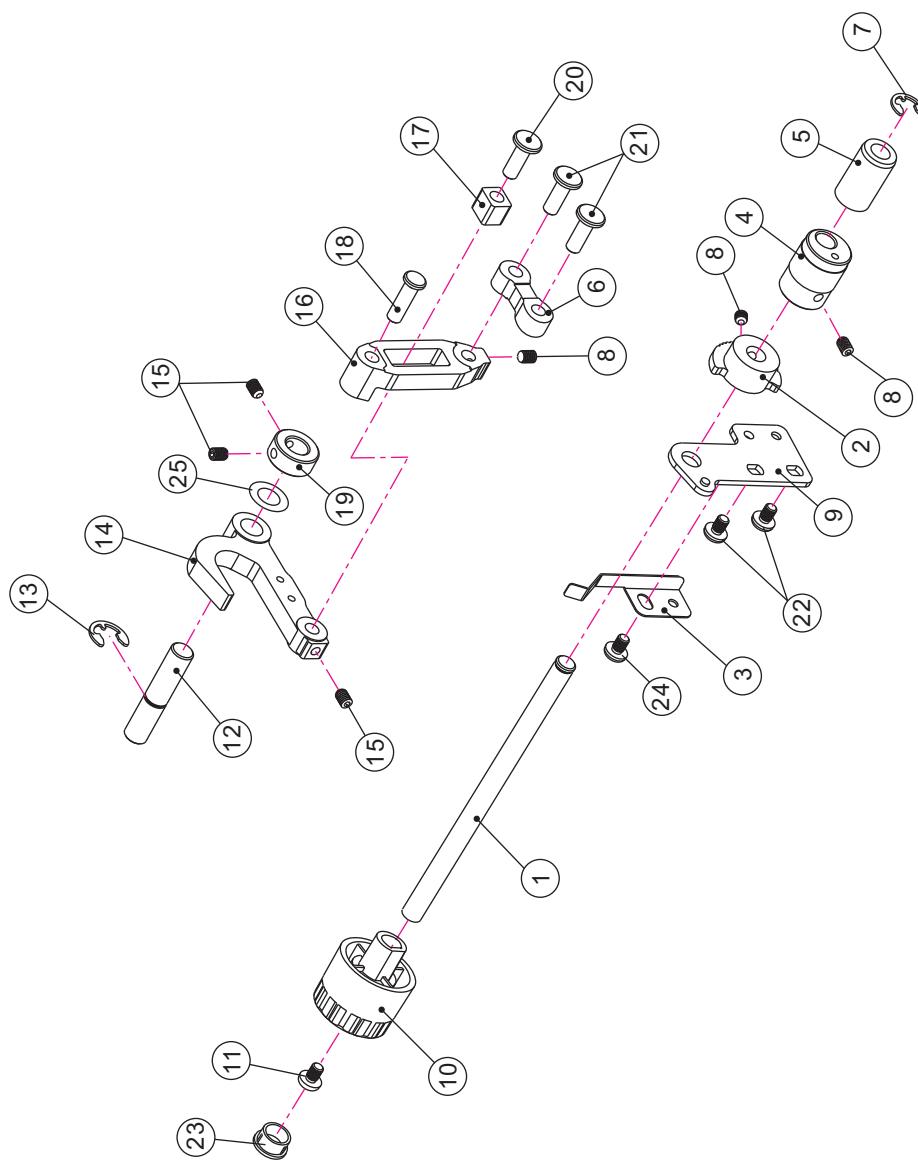
NO.	PART NO.	DESCRIPTION
1	416364801	HAND WHEEL CAP
2	N/S	SET SCREW
3	N/S	WASHER
4	416364901	HAND WHEEL
5	N/S	C RING
6	N/S	SET SCREW
7	416365001	FEED DRIVE LINK
8	416365101	FEED DRIVE LINK PIN (A)
9	N/S	FEED LINK
10	N/S	SET SCREW
11	N/S	SPRING WASHER
12	N/S	FEED DRIVE LINK PIN (B)
13	N/S	WASHER
14	416365201	FEED CAM SLIDE BLOCK
15	416365301	FEED CAM
16	N/S	FEED REGULATE HOLDER SHAFT
17	N/S	E RING
18	N/S	FEED REGULATE HOLDER BUSHING
19	416365401	FEED SLIDE BLOCK
20	416365501	FEED SLIDE HOLDER
21	N/S	FEED REGULATE LINK
22	N/S	FEED REGULATE CAM
23	N/S	FEED REGULATE HOLDER
24	N/S	SET SCREW
25	N/S	LOCATING COLLAR
26	N/S	LOCATING SPRING
27	N/S	SET SCREW
28	416375601	STITCH LENGTH DIAL
29	N/S	FEED REGULATE LINK PIN
30	N/S	E RING
31	416377901	HAND WHEEL SETTING COLLAR
32	416377201	SET SCREW



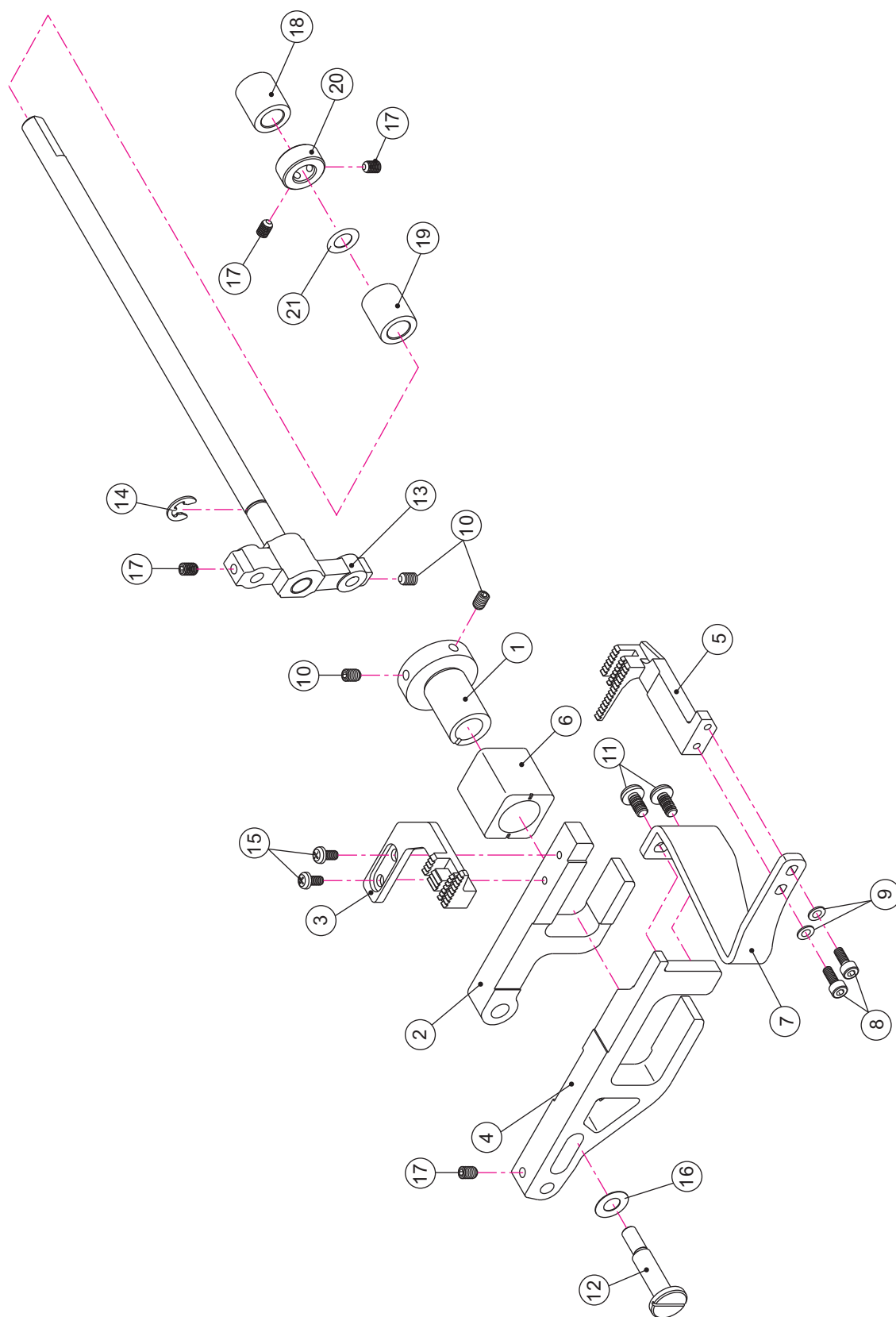
NO.	PART NO.	DESCRIPTION
1	N/S	NEEDLE BAR SETTING LINK
2	416427301	SET SCREW
3	416365601	NEEDLE BAR
4	416365701	NEEDLE CLAMP COMPLETE SET
5	416365801	NEEDLE CLAMP THREAD GUIDE
6	N/S	NEEDLE CLAMP
7	N/S	NEEDLE CLAMP LOWER BOARD
8	N/S	NEEDLE CLAMP UPPER BOARD
9	416391401	SET SCREW NEEDLE CLAMP BACK
10	416365901	SET SCREW
11	N/S	SET SCREW
12	N/S	SET SCREW
13	416366101	SET SCREW
14	N/S	WASHER
15	N/S	NEEDLE
16	416377601	SET SCREW
17	N/S	WASHER
18	416366201	PRESSER BAR SPRING
19	416366301	PRESSER BAR
20	416366401	PRESSER BAR SETTING LINK
21	416390801	PRESSER FOOT COMPLETE SET
22	N/S	PRESSER FOOT HOLDER
23	N/S	PRESSER FOOT SPRING
24	N/S	PRESSER FOOT
25	N/S	PRESSER LIFTER SPRING
26	416367301	SET SCREW
27	416367401	NEEDLE BAR LOCATE BOARD
28	N/S	NEEDLE BAR LOCATE SUPPORT
29	N/S	NEEDLE BAR LOCATE CAM
30	N/S	NEEDLE BAR LOCATE PIN
31	416375701	PRESSER BAR DIAL
32	N/S	SUPPORT SETTING BOARD
33	N/S	E RING
34	N/S	E RING
35	N/S	BULB HOLDER
36	416367601	PRESSER FOOT LIFTER
37	N/S	E RING
38	N/S	SET SCREW
39	N/S	SET SCREW
40	416367701	PRESSER FOOT LIFTER HOLDER
41	N/S	SET SCREW
42	416367801	RELEASE PLATE
43	N/S	E RING
44	416381401	THREAD GUIDE ATTACHED PLATE
45	N/S	BULB LABEL



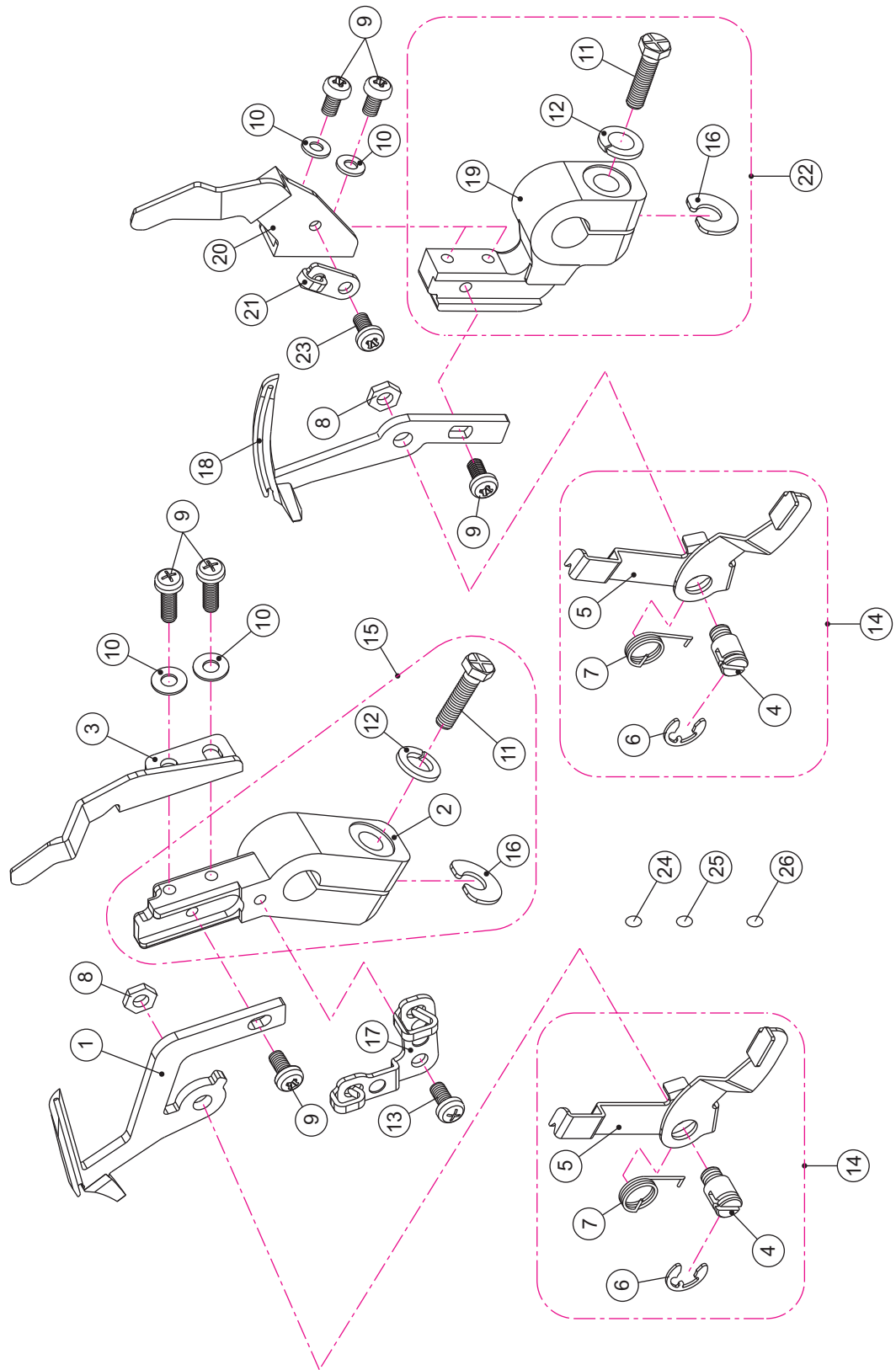
NO.	PART NO.	DESCRIPTION
1	N/S	UPPER LOOPER CONNECTING ARM
2	N/S	SLIDE SHAFT
3	N/S	SLIDE SHAFT HOLDER
4	416367901	UPPER LOOPER
5	416368001	TWO THREAD CONVERTER
6	416362201	STITCH FINGER LEVER
7	N/S	E RING
8	416368101	TWO THREAD CONVERTER SHAFT
9	416368201	UPPER LOOPER THREADING GUIDE
10	416368301	SLIDE SHAFT HOLDER BUSHING
11	N/S	WASHER
12	N/S	SETTING COLLAR
13	416377201	SET SCREW
14	416368401	WASHER
15	416368501	SET SCREW
16	N/S	SLIDE SHAFT PIN
17	N/S	PIN
18	416368601	SPRING
19	N/S	SET SCREW
20	N/S	SETTING COLLAR
21	N/S	SET SCREW
22	416368701	CLUTCH LOCATOR
23	N/S	SET SCREW
24	N/S	UPPER LOOPER CLUTCH LEAVER
25	416368801	CLUTCH LEAVER CAP
26	416368901	LOWER LOOPER THREAD TAKE-UP LEVER
27	416377601	SET SCREW
28	416369001	UPPER LOOPER THREAD TAKE-UP LEVER
29	N/S	UPPER LOOPER DRIVER
30	N/S	WASHER
31	N/S	SET SCREW
32	416369101	CHAIN LOOPER THREAD TAKE-UP LEVER D
33	N/S	SET SCREW
34	416369201	CHAIN LOOPER THREAD TAKE-UP LEVER E
35	N/S	COLOR STICKER (GREEN)
36	N/S	COLOR STICKER (BLUE)



NO.	PART NO.	DESCRIPTION
1	N/S	D.F. SHAFT
2	N/S	D.F. LOCATING COLLAR
3	N/S	D.F. DIAL LOCATING SPRING
4	N/S	D.F. REGULATE CAM
5	N/S	D.F. DIAL BUSHING
6	N/S	D.F. LINK BAR
7	N/S	E RING
8	N/S	SET SCREW
9	N/S	D.F. DIAL SUPPORT
10	416375801	D.F. DIAL
11	416377601	SET SCREW
12	N/S	D.F. REGULATE SHAFT
13	N/S	E RING
14	416369401	D.F. REGULATE SUPPORT
15	416377201	SET SCREW
16	416369501	D.F. SLIDE SUPPORT
17	416369601	D.F. SLIDE BLOCK
18	N/S	FEED DOG HOLDER PIN
19	N/S	SETTING COLLAR
20	N/S	D.F. SLIDE BLOCK PIN
21	N/S	D.F. LINK PIN
22	N/S	SET SCREW
23	416360901	SCREW CAP
24	N/S	SET SCREW
25	N/S	WASHER

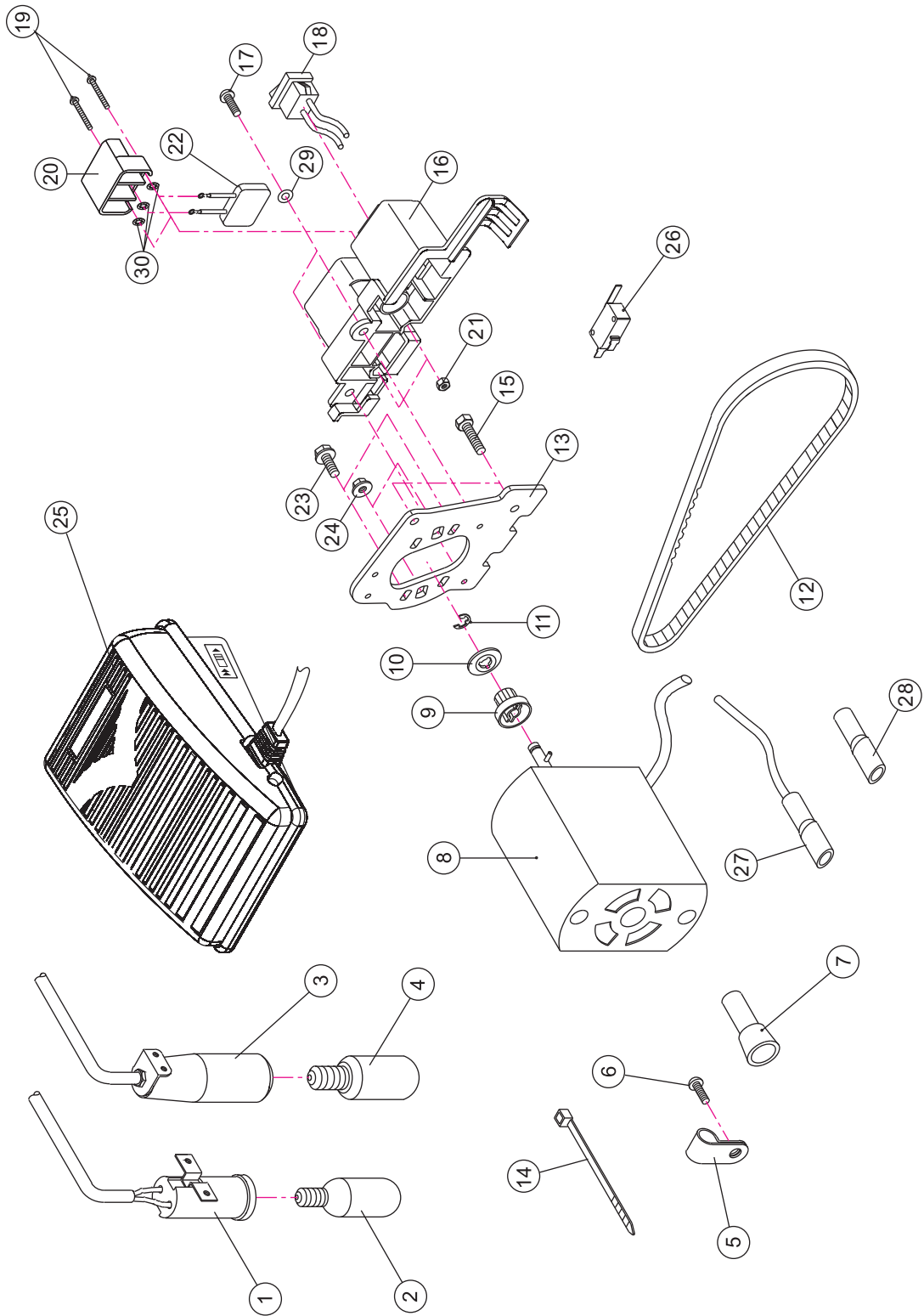


NO.	PART NO.	DESCRIPTION
1	416363801	FEED DOG CAM
2	N/S	FEED DOG HOLDER (REAR)
3	416369901	FEED DOG (REAR)
4	N/S	FEED DOG HOLDER (FRONT)
5	416369801	FEED DOG (FRONT)
6	416363901	FEED DOG SUPPORTER SLIDE BLOCK
7	416370001	FEED DOG SUPPORTER (FRONT)
8	416368501	SET SCREW
9	416368401	WASHER
10	N/S	SET SCREW
11	416370101	SET SCREW
12	N/S	FEED DOG HOLDER PIN
13	N/S	FEED DOG SHAKING ROD COMPLETE SET
14	N/S	E RING
15	416369701	SET SCREW
16	N/S	WASHER
17	N/S	SET SCREW
18	416363001	LOOPER SHAFT BUSHING
19	416390701	LOOPER SHAFT BUSHING
20	N/S	SETTING COLLAR

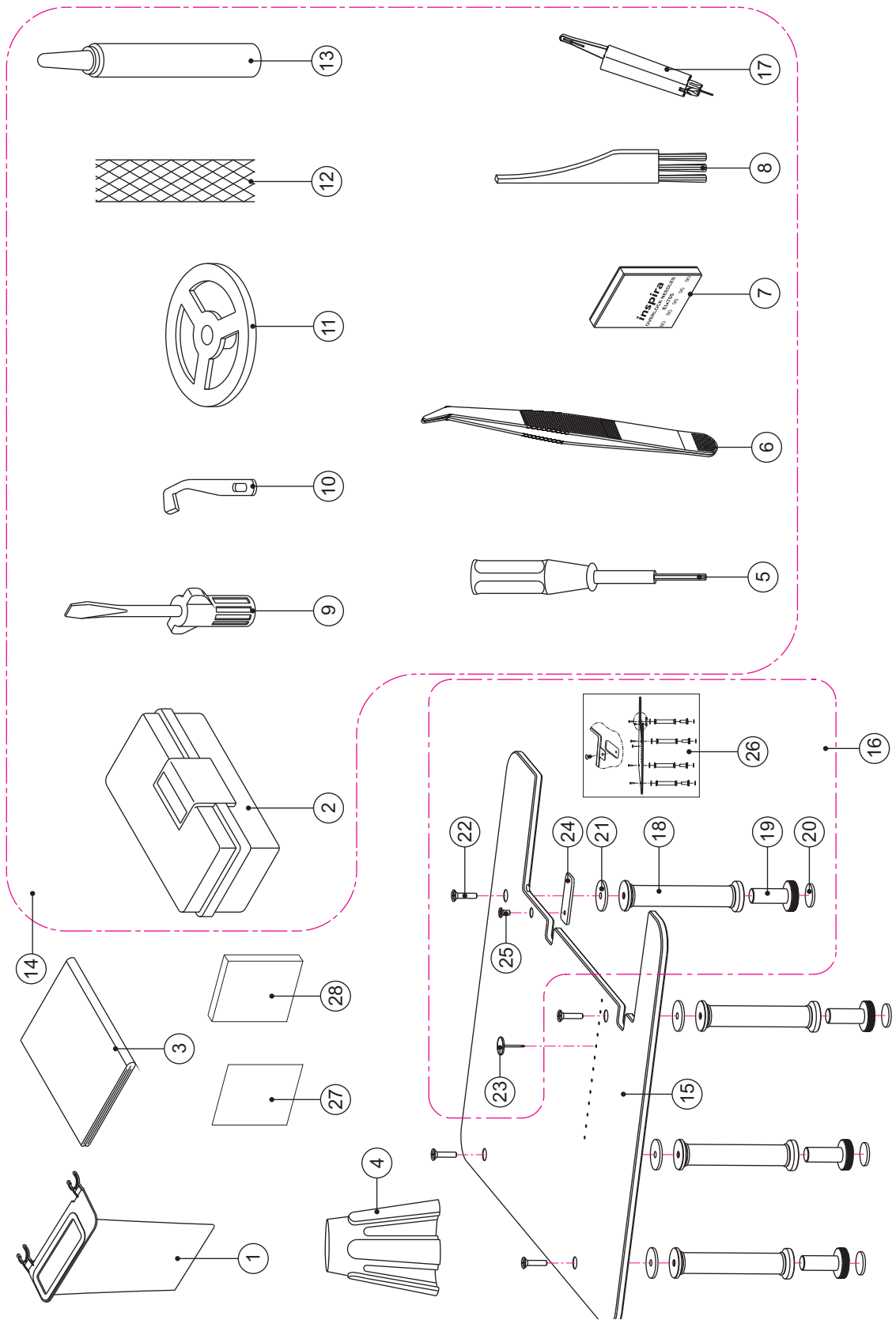




NO.	PART NO.	DESCRIPTION
1	416370201	LOWER LOOPER
2	N/S	LOWER LOOPER SUPPORTER
3	416370401	LOWER LOOPER PROTECT BOARD
4	N/S	AUTO THREADER SHAFT
5	N/S	AUTO THREADER
6	N/S	E RING
7	N/S	AUTO THREADER SPRING
8	416370801	NUT
9	416369701	SET SCREW
10	416368401	WASHER
11	N/S	SET SCREW
12	N/S	SPRING WASHER
13	416377601	SET SCREW
14	416370901	AUTO THREADER COMPLETE SET (NO.4.5.6.7 INCLUDED)
15	416370301	LOWER LOOPER COMPLETE SET (NO.2.11.12.16 INCLUDED)
16	N/S	WASHER
17	416371001	LOWER LOOPER THREAD GUIDE
18	416371101	COVER STITCH LOOPER
19	N/S	COVER STITCH LOOPER SUPPORTER
20	416371201	COVER STITCH LOOPER PROTECT BOARD
21	416371301	COVER STITCH LOOPER THREAD GUIDE
22	416371401	COVER STITCH LOOPER SUPPORTER SET(NO.11. 12.16.19 INCLUDED)
23	N/S	SET SCREW
24	N/S	COLOR STICKER (GREEN)
25	N/S	COLOR STICKER (BLUE)
26	N/S	COLOR STICKER (BLUE)



NO.	PART NO.	DESCRIPTION
1	N/S	LIGHTING SET (100V)
1	N/S	LIGHTING SET (120V)
2	N/S	BULB (100V)
2	416299901	BULB (120V)
3	N/S	LIGHTING SET (240V) (AVAILABLE FOR 220V/230V/240V)
4	416300001	BULB (240V) (AVAILABLE FOR 220V/230V/240V)
5	N/S	HW(1/4) CORD CLIP
5	N/S	(HW(5/16) CORD CLIP FOR 120V)
6	N/S	SET SCREW
7	N/S	C4 END TERMINAL
8	N/S	MOTOR (100V)
8	416485801	MOTOR (120V)
8	416371801	MOTOR (220V~230V)
9	416371901	TIMING BELT PULLEY
10	416372001	TIMING BELT PULLEY COVER
11	N/S	E RING
12	416372001	TIMING BELT
13	N/S	MOTOR SUPPORTER
14	N/S	CORD CLIP
15	N/S	SET SCREW
16	416372201	SWITCH SUPPORTER
17	N/S	SET SCREW
18	416372301	POWER LIGHT SWITCH
19	N/S	SET SCREW
20	416372401	MACHINE SOCKET
21	N/S	NUT
22	416372501	CONDENSER
23	N/S	SET SCREW
24	N/S	NUT
25	416372601	FOOT CONTROLLER (230V) EUROPE
25	416372701	FOOT CONTROLLER (240V) AUSTRALIA & NEW ZEALAND
25	416372801	FOOT CONTROLLER (240V) ENGLAND
25	416372901	FOOT CONTROLLER (120V) U.S.A.
26	416373001	MICRO SWITCH
27	N/S	TERMINAL W/TRANSPARENT INSULATION TUBE
28	N/S	TERMINAL W/UN-TRANSPARENT INSULATION TUBE
29	N/S	WASHER
30	N/S	WASHER



NO.	PART NO.	DESCRIPTION
1	416383301	WASTE CATCHER
2	416383401	ACCESSORY BOX
3	416383501	DUST COVER
4	416360701	SPOOL HOLDER
5	411668901	ALLEN SCREW DRIVER
6	416015401	TWEEZERS
7	620079596	INSPIRA NEEDLE ELX705 #80, 5 PACK
	620079696	INSPIRA NEEDLE ELX705 # 90, 5 PACK
8	401555501	CLEANING BRUSH
9	412381501	SCREW DRIVER
10	416364601	UPPER CUTTER
11	416383601	THREAD UNWINDING SPOOL CAPS
12	416383901	ANTI-SPILL NETS
13	N/S	OILER
14	N/S	ACCESSORY BOX SET (NO.2.5.6.7.8.9.10.11.12.13.17 INCLUDED)
15	416384301	EXTENSION TABLE SET (NO.15.27.28 INCLUDED)
16	416384001	EXTENSION TABLE ACCESSORIES SET (NO. 18.19.20.21.22.23.24.25.26 INCLUDED)
17	416384101	NEEDLE THREADER
18	N/S	EXTENSION TABLE LEG
19	N/S	EXTENSION TABLE LEG SCREW
20	N/S	RUBBER (BOTTOM)
21	N/S	RUBBER (UP)
22	N/S	SET SCREW
23	N/S	GUIDE PIN
24	416391101	METAL GUIDE HOLDER
25	N/S	SET SCREW
26	N/S	EXTENSION TABLE ASSEMBLY ILLUSTRATION
27	N/S	EXTENSION TABLE BUBBLE BAG
28	N/S	HV EXTENSION TABLE CARTON

OPTIONAL FEETS

620086596	ELASTIC FOOT
620086696	BEADING FOOT
620086796	PIPING FOOT
620086896	TAPING FOOT
620086996	BLINDHEM FOOT