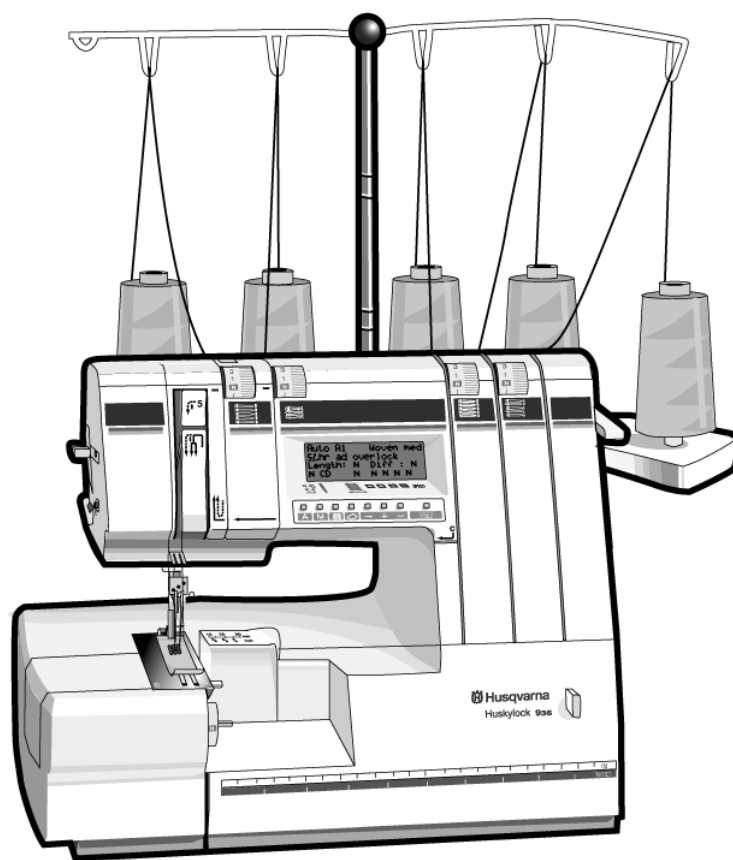


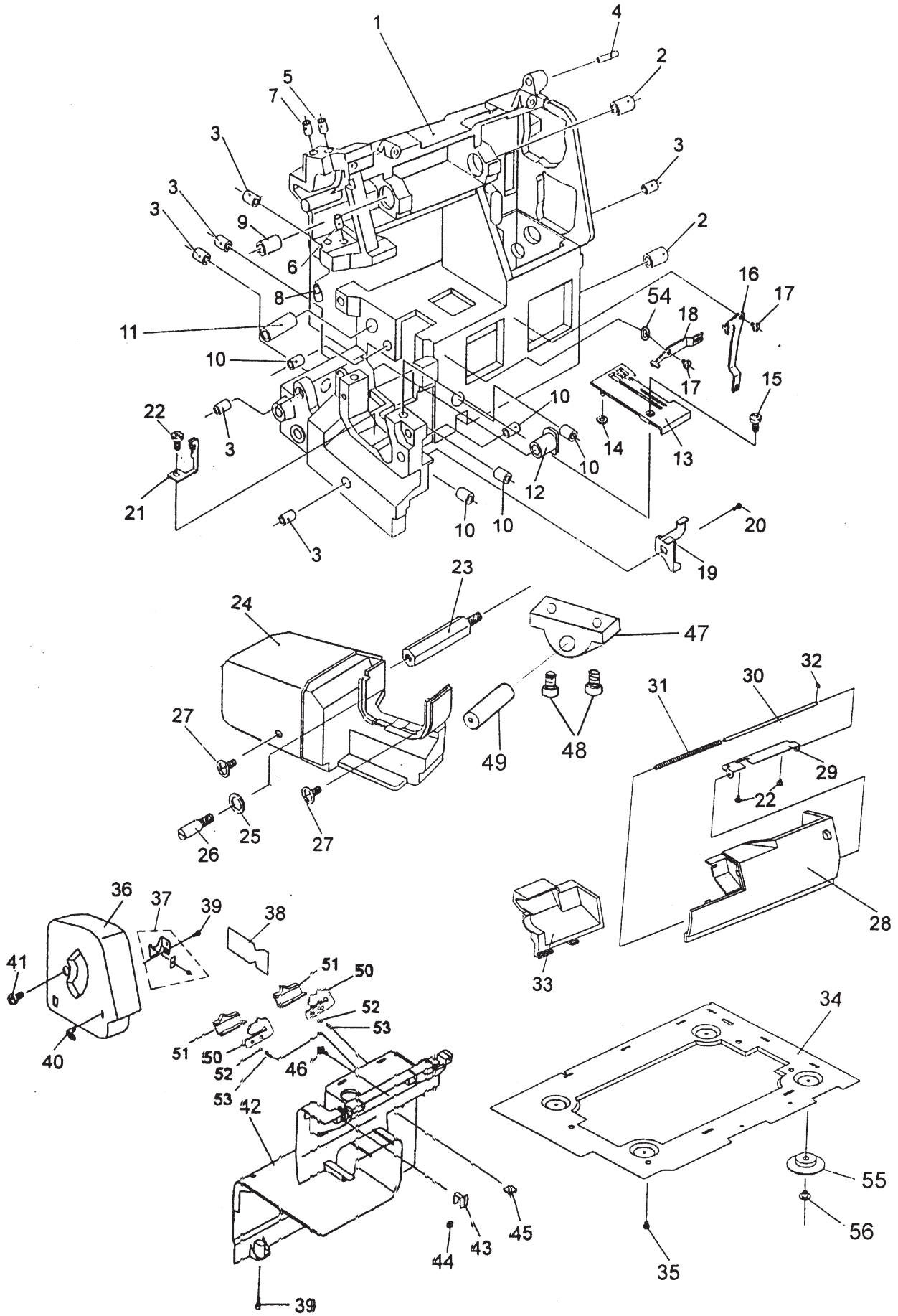
PARTS LIST



HUSKYLOCK 936

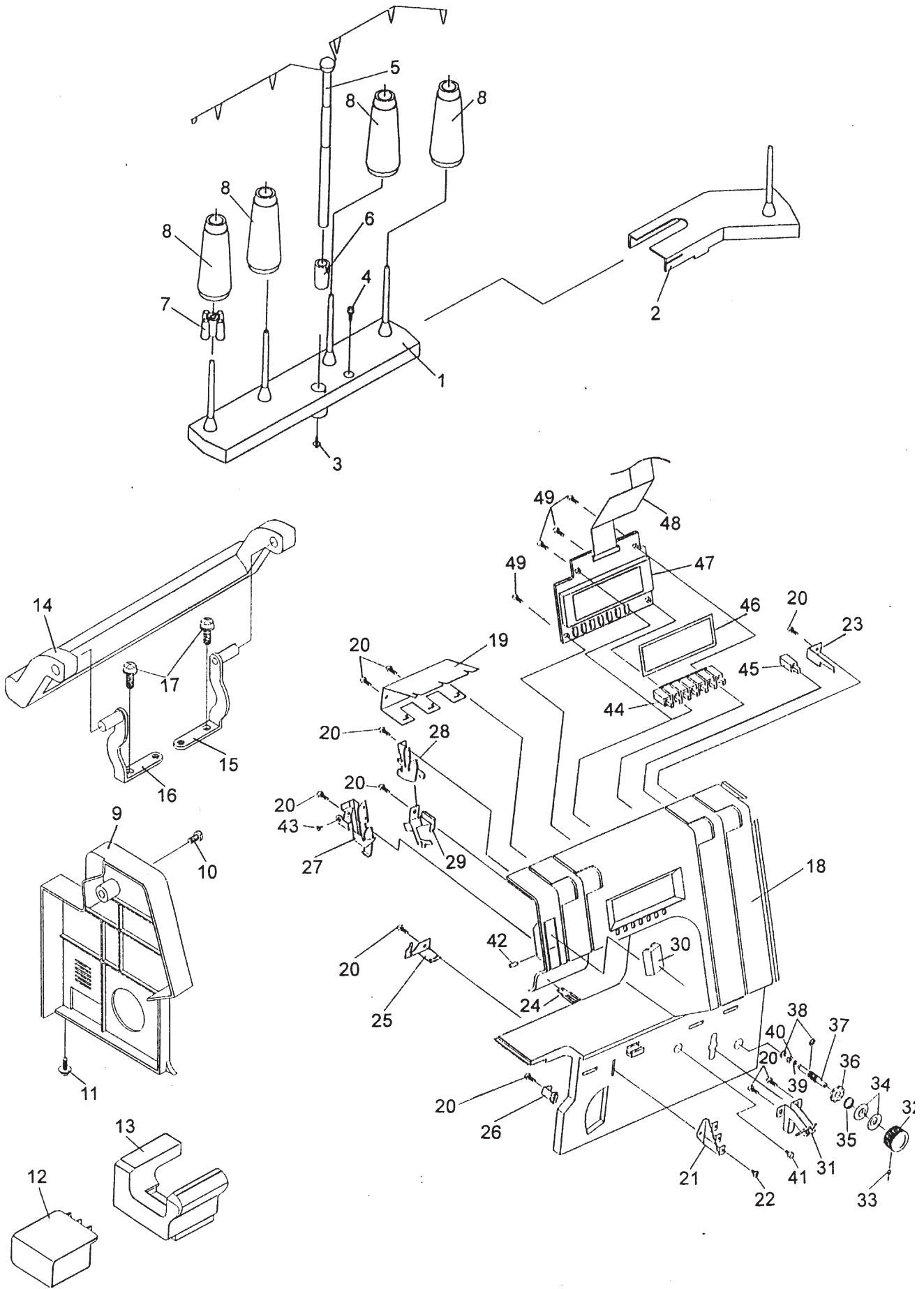
MADE IN SWEDEN
MARCH 2015

A



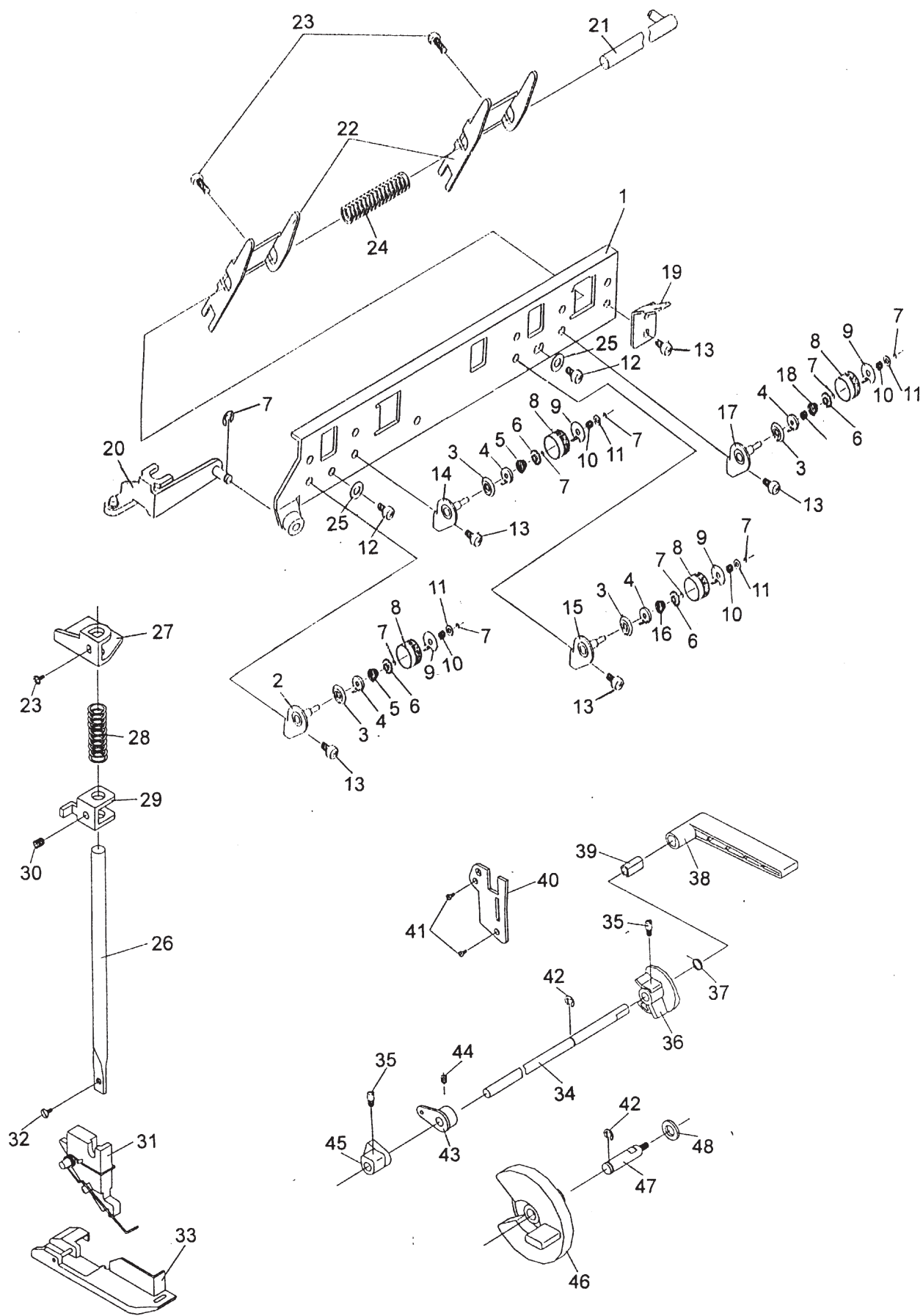
<u>INDEX NO.</u>	<u>REF. NO.</u>	<u>PART NAME</u>
2	N/A	LOWER SHAFT BUSHING (1)
3	N/A	CUTTER LINK BUSHING (1)
4	N/A	SPRING PIN
5	N/A	NEEDLE BAR BUSHING (1)
6	N/A	NEEDLE BAR BUSHING (2)
7	N/A	PRESSER BAR BUSHING (1)
8	N/A	PRESSER BAR BUSHING (2)
9	N/A	LOWER SHAFT BUSHING (2)
10	N/A	CUTTER LINK BUSHING (2)
11	N/A	DIFFERENTIAL FEED SHAFT BUSHING
12	N/A	LOWER SHAFT BUSHING (2)
13	N/A	NEEDLE PLATES ASS'Y UP TO #389611
	N/A	NEEDLE PLATES ASS'Y FROM #389612
14	N/A	O-RING
15	10811	SET SCREW
16	N/A	NEEDLE PLATE SENSOR LEVI
17	N/A	SCREW
18	N/A	NEEDLE PLATE SENSOR LINK
	N/A	NEEDLE PLATE SENSOR LINK FROM #389612
19	N/A	STOPPER
20	N/A	SCREW
21	N/A	CHAIN STITCH NEEDLE GUIDE ASSY' (UP TO #389611)
22	N/A	SCREW (UP TO #389611)
23	N/A	SIDE COVER ASSEMBLY FOOT
24	2141001162651	SIDE COVER
25	416004301	WASHER
26	N/A	ASSISTANT PLATE SHAFT
27	416001501	SCREW
28	416104001	FRONT COVER - HUSQVARNA VIKING
29	N/A	FRONT COVER HINGE
30	N/A	FRONT COVER SHAFT
31	N/A	FRONT COVER SPRING
32	40110	E-RING
33	N/A	CUTTER COVER
34	N/A	BASE
35	10946	SCREW
36	N/A	FACE COVER
37	1840002660	THREAD CUTTER
38	N/A	FACE COVER SEAT
39	11203	SET SCREW
40	N/A	ASSISTANT THREAD GUIDE
41	11913	SET SCREW
42	416104301	REAR COVER
43	2141002111	THREAD GUIDE-A
44	2141002118	FELT
45	30301	SQUARE NUT
46	N/A	SCREW
47	N/A	LOWER SHAFT BUSHING SUPPORT
48	N/A	HEXAGON SCREW
49	N/A	LOWER SHAFT BUSHING
50	2141012116	THREAD GUIDE (F)
51	2141002149	THREAD GIUDE (F) HOLDER
52	90206	POSITION DECIDED BAL
53	N/A	POSITION DECIDED SPRING
54	N/A	WASHER
55	N/A	SWALLOW RUBBER FOOT
56	N/A	SET PIN FOR SWALLOW RUBBER FOOT

B



<u>INDEX REF. NO.</u>	<u>PART NAME</u>
1	2141002180651
2	2150002180
3	N/A
4	N/A
5	N/A
6	N/A
7	1250002197
9	N/A
10	11936
11	11203
12	2141001163651
13	2141001160651
14	N/A
15	N/A
16	N/A
17	N/A
18	N/A
19	N/A
20	N/A
21	N/A
22	N/A
23	N/A
24	N/A
25	N/A
26	N/A
27	N/A
28	N/A
29	N/A
30	N/A
31	N/A
32	N/A
33	N/A
34	N/A
35	N/A
36	N/A
37	N/A
38	N/A
39	N/A
40	N/A
41	416001501
42	N/A
43	N/A
44	N/A
45	N/A
46	2143008216
47	N/A
48	2143008213
49	11203
50	N/A

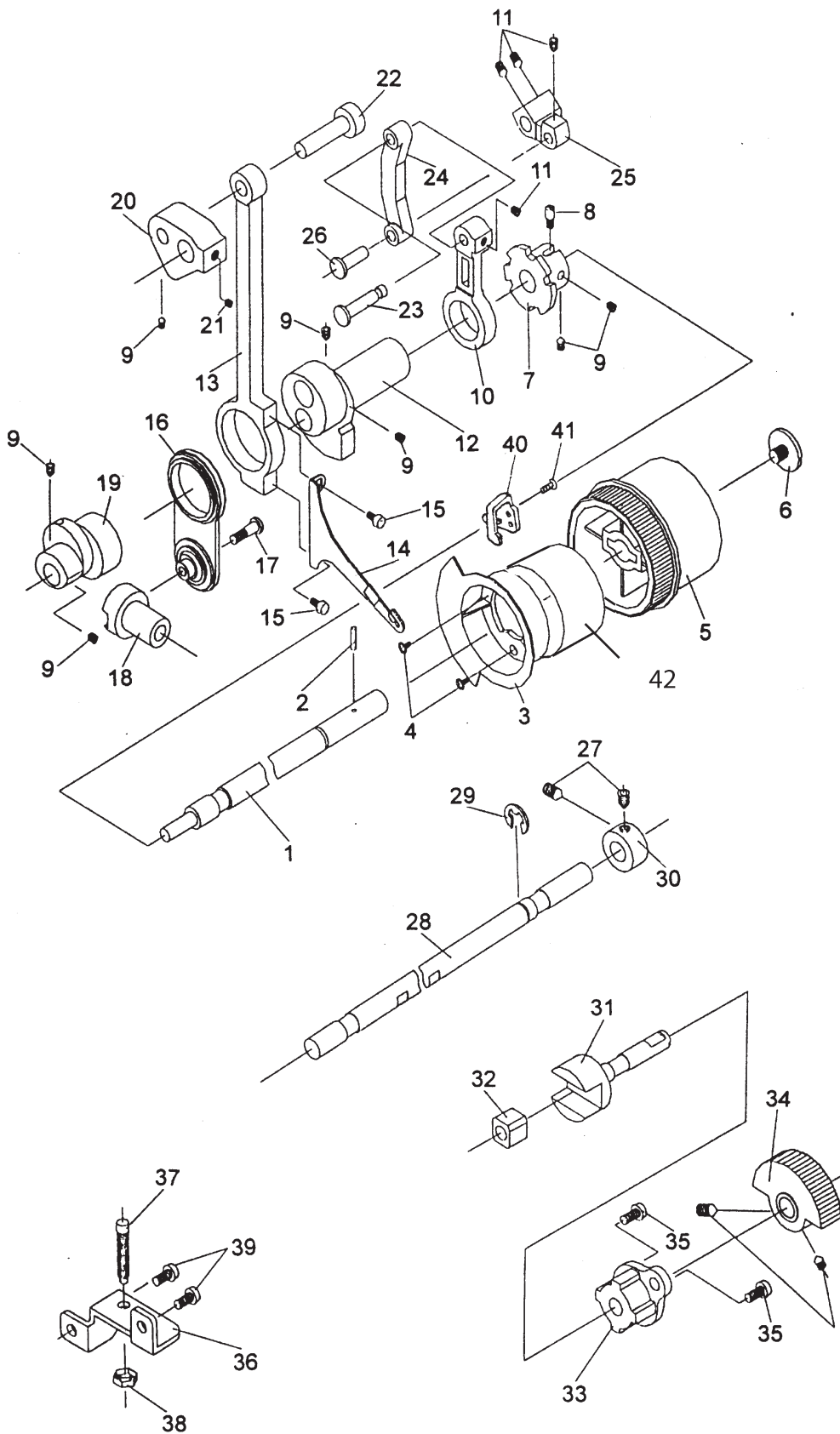
C



<u>INDEX</u> <u>NO.</u>	<u>REF. NO.</u>	<u>PART NAME</u>
1	N/A	TENSION HOLDING PLATE
2	N/A	TENSION BRACKET ASS'Y
3	N/A	TENSION DISC - R -
4	N/A	TENSION DISC BRACKET
5	N/A	TENSION SPRING A
6	2141002126	TENSION NUT
7	40110	E-RING
8	N/A	TENSION DIAL -YELLOW
	N/A	TENSION DIAL -RED
	N/A	TENSION DIAL -GREEN
	2143042153651	TENSION DIAL - BLUE
9	N/A	TENSION DISC REGULATING PLATE
10	N/A	TENSION DIAL SPRING
11	416004301	WASHER
12	416001101	SET SCREW
13	N/A	SET SCREW
14	N/A	TENSION BRACKET ASS'Y
15	N/A	TENSION BRACKET ASS'Y
16	416011301	TENSION SPRING - B -
17	N/A	TENSION BRACKET ASS'Y
18	N/A	TENSION SPRING - C
19	N/A	TENSION BRACKET (5) ASS'Y
20	N/A	PRESSURE ADJUSTING PLATE
21	N/A	THREAD RELEASE SHAFT
22	N/A	THREAD RELEASE PLATE - B
23	N/A	SET SCREW
24	N/A	THREAD RELEASE STUD SPRING
25	N/A	WASHER
26	2141002361	PRESSER BAR
27	N/A	DRIVER PLATE
28	N/A	PRESSER BAR SPRING
29	N/A	PRESSER BAR BRACKET
30	N/A	SET SCREW FOR BRACKET
31	N/A	PRESSER FOOT HOLDER
32	N/A	SET SCREW FOR PRESSER FOOT HOLDER
33	2150002510	PRESSER FOOT
34	N/A	PRESSER FOOT LIFTER SHAFT
35	1650004696	SET SCREW FOR THREAD RELEASE CAM
36	N/A	THREAD RELEASE CAM
37	N/A	PRESSER FOOT LIFTER SPRING
38	2141002366651	PRESSER FOOT LIFTER LEVER
39	50421	SPRING RING
40	N/A	PRESSER BAR BRACKET STOPPER
41	N/A	SET SCREW
42	40106	E RING
43	N/A	PRESSERBAR LIFTER STOPPER
44	10124	SET SCREW
45	N/A	PRESSER FOOT LIFTER CAM
46	2141002377651	PRESSURE ADJUSTING DIAL
47	2141002584	PRESSURE ADJUSTING STUD
48	N/A	WASHER

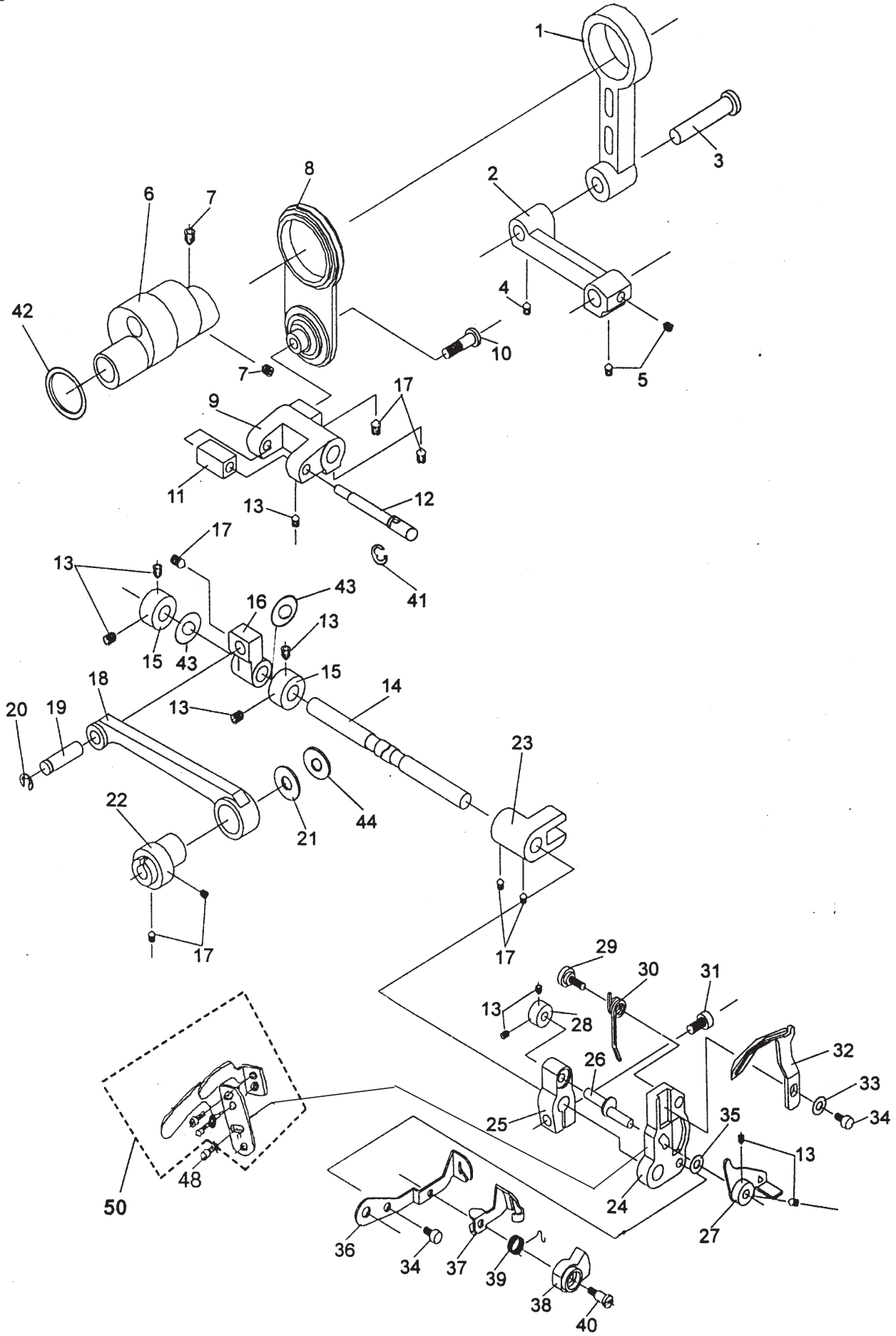
INDEX NO.	REF. NO.	PART NAME
1	N/A	NEEDLE BAR
2	416111601	NEEDLE CLAMP
3	N/A	CLUTCH CONNECTING BLOCK
5	10601	SET SCREW FOR THREAD GUIDE
6	10141	SET SCREW FOR NEEDLE
7	620098096	NEEDLE 5 X 80 #
8	2141002322	NEEDLE BAR CRANK
9	10132	SET SCREW FOR NEEDLE BAR CRANK
10	N/A	TAKE-UP LEVER
11	N/A	SET SCREW FOR TAKE-UP LEVER
12	N/A	UPPERSHAFT
13	N/A	UPPER SHAFT COLLAR (UP TO #389611)
	N/A	UPPER SHAFT COLLAR (FROM #389612)
14	10124	SCREW
15	N/A	NEEDLE BAR DRIVER LEVER
16	N/A	SPRING PIN
17	N/A	NEEDLE BAR DRIVER LINK
18	1250002315	NEEDLE BAR DRIVER LINK PIN
19	N/A	UPPER LOOPER SHAFT
20	40116	E-RING
21	N/A	LOOPER CLUTCH EXCHANGE BODY
22	N/A	LOOPER CLUTCH DRIVER
23	N/A	CLUTCH ADJUSTING PLATE
24	N/A	SET SCREW
25	2141003417	UPPER LOOPER DRIVER LEVER
26	20204	SET SCREW
27	2141003426	UPPER LOOPER FULCRUM
28	N/A	UPPER LOOPER FULCRUM SHAFT
29'	N/A	SET SCREW
30	2141003412	UPPER LOOPER STAND SHAFT
31	N/A	UPPER LOOPER STAND PIN
32	411000032	UPPER LOOPER
33	N/A	UPPER/LOWER LOOPER TAKE-UP LEVER
35	N/A	SET SCREW
36	N/A	LOWER LOOPER SHAFT
37	N/A	LOWER LOOPER ADJUSTING SPRING
38	2141003424	LOWER LOOPER STAND
39	N/A	LOWER LOOPER
40	416111301	NEEDLE GUIDE PLATE
41	20308	HEXAGON SCREW
42	N/A	LOWER LOOPER THREAD GUIDE PLATE (UP TO #389611)
	N/A	LOWER LOOPER THREAD GUIDE PLATE (FROM #389612)
43	N/A	WASHER
44	N/A	WASHER
45	N/A	THREAD GUIDE PLATE CHANGE LEVER
46	N/A	THREAD GUIDE PLATE SPRING
47	N/A	SET SCREW
48	N/A	LOOPER CLUTCH CONNECTING PLATE
49	N/A	LOOPER CLUTCH CONNECTING ROD
50	N/A	LOOPER CLUTCH CONNECTING ROD B
51	N/A	LOOPER CLUTCH ROD
52	40110	ERING
53	N/A	WAVE WASHER
54	N/A	WASHER
55	N/A	LOOPER CLUTCH CONNECTING SPRING
56	2150002718	NEEDLEBAR TENSION DISC
57	2150002719	NEEDLE BAR TENSION SPRING
58	5150002227	NEEDLE BAR TENSION SCREW
59	30110	NUT
60	N/A	UPPER LOOPER LINK LEVER
61	N/A	WASHER
62	2141003405C	2THREAD CONVERTER ASS'Y (FROM #389612)
63	2150002341	NEEDLE BAR THREAD GUIDE (1)
64	N/A	NEEDLE BAR THREAD GUIDE (2)
65	2150002715	NEEDLE HOLDER (1)
66	2150002716	NEEDLE HOLDER (1)
67	416000301	SET SCREW (FOR NEEDLE CLAMP)
68	N/A	SCREW (FOR NEEDLE HOLDER)
69	10953	SCREW (FOR NEEDLE CLAMP COVER)
70	N/A	NEEDLE CLAMP ASS'Y
71	2150002500	NEEDLE BAR ASS'Y
72	N/A	UPPER SHAFT ASS'Y
73	N/A	NEEDLE CLAMP SUB ASSY'

E



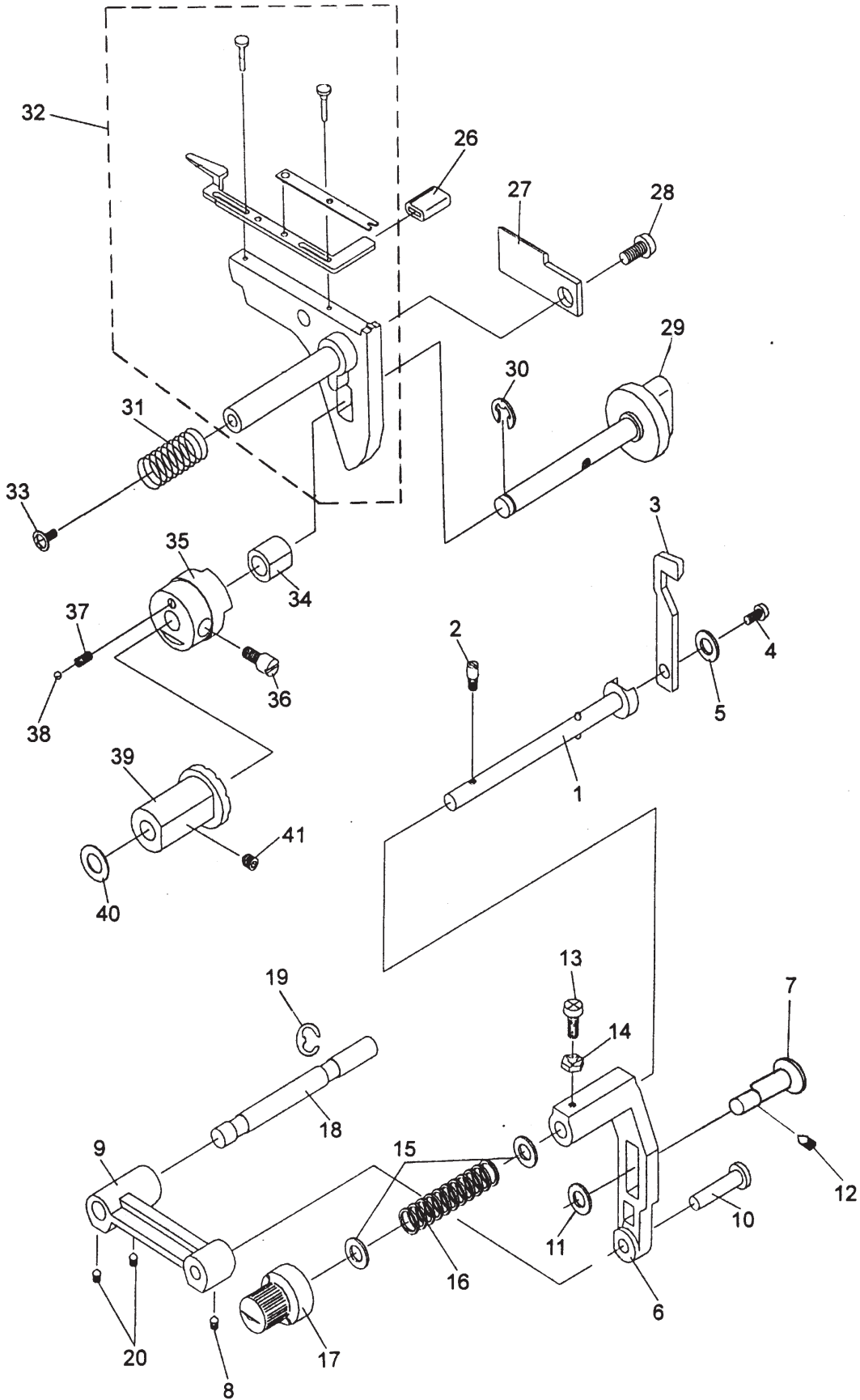
<u>INDEX</u> <u>NO.</u>	<u>REF. NO.</u>	<u>PART NAME</u>
1	N/A	LOWER SHAFT
2	N/A	SPRING PIN
3	2150008262	UPPER STOP SENSOR DISC
4	N/A	SET SCREW
5	2150003151651	HAND WHEEL
6	10936	SET SCREW
7	N/A	LOWER SHAFT COLLAR
8	1650004696	SET SCREW NOTE! ONLY UP TO #389611
9	N/A	SET SCREW
10	N/A	FEED LINK
11	10124	SET SCREW
12	N/A	DRIVER CAM-A
13	N/A	UPPER SHAFT DRIVER LINK
14	N/A	CHAIN STITCH LOOPER FOR ASSISTANT TAKE-UP LEVER
15	N/A	SET SCREW
16	2141003460	LOOPER LINK
17	N/A	SET SCREW
18	N/A	UPPER LINK LEVER
19	N/A	DRIVER CAM-B
20	N/A	BALANCE CRANK
21	416000101	SET SCREW
22	N/A	UPPER SHAFT DRIVER LINK PIN
23	N/A	FEED LINK PIN
24	N/A	FEED INTER LINK
25	N/A	FEED LEVER(1) (UP TO #389611)
	N/A	FEED LEVER (FROM #389612)
26	N/A	FEED DIFFERENTIAL PIN
27	N/A	SET SCREW
28	N/A	FEED SHAFT (UP TO #389611)
	N/A	FEED SHAFT (FROM #389612)
29	40106	ERING
30	N/A	DIFFERENTIAL FEED SHAFT COLLAR
31	N/A	FEED REGULATOR BUSHING
32	2141004122	FEED REGULATOR
33	N/A	FEED REGULATOR BUSHING
34	N/A	FEED CAM
35	N/A	SET SCREW
36	N/A	FEED REGULATOR STAND
37	N/A	SET SCREW
38	N/A	ADJUSTING NUT
39	416001101	SET SCREW
40	N/A	CHAIN STITCH LOOPER FOR ASSISTANT TAKE UP CAM
41	416110001	SET SCREW
42	N/A	HAND WHEEL BUSH

F



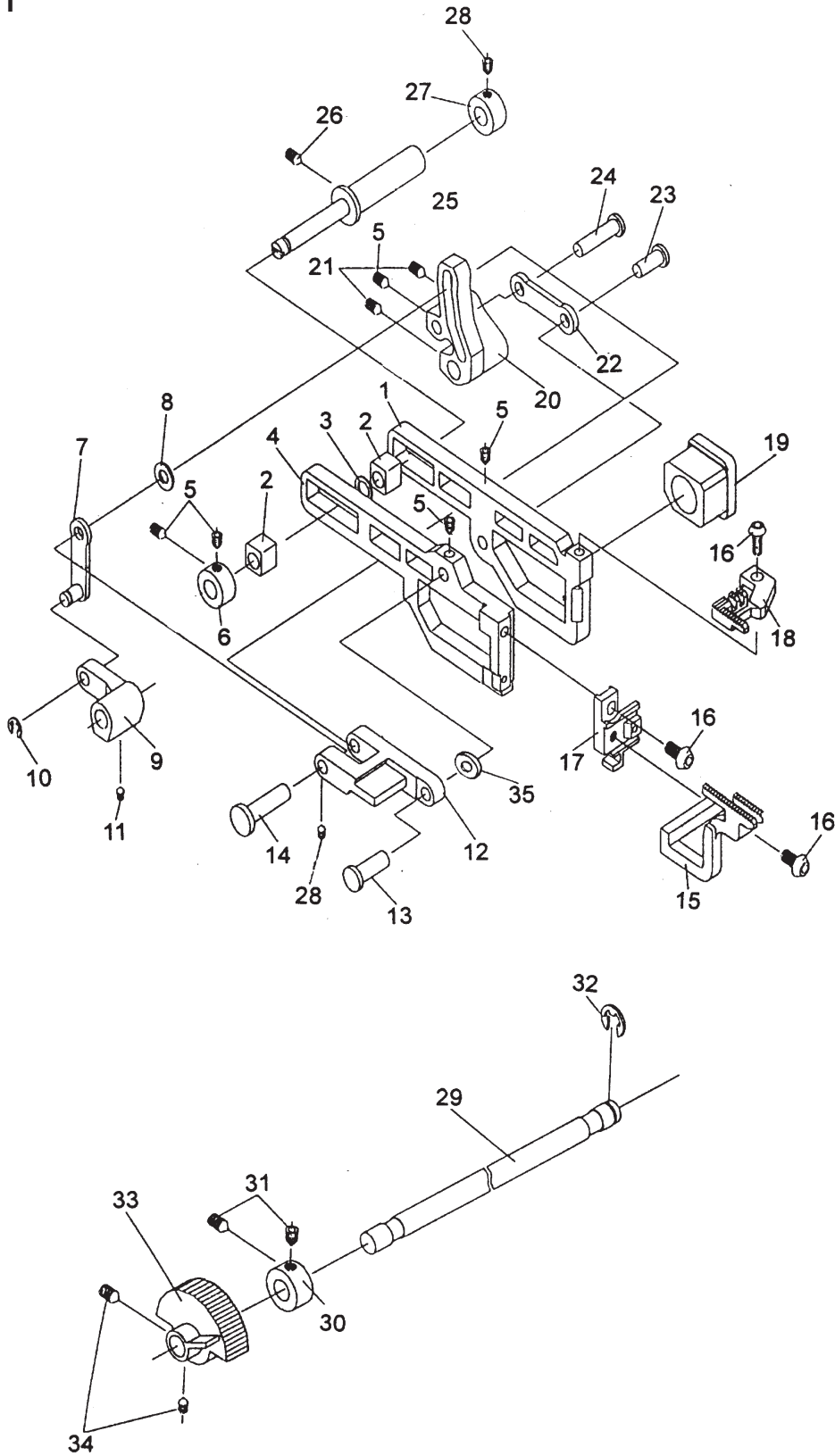
<u>INDEX</u> <u>NO.</u>	<u>REF. NO.</u>	<u>PART NAME</u>
1	N/A	CUTTER DRIVER LINK
2	2141004215	CUTTER LINK (1)
3	N/A	CUTTER LINK (1) PIN
4	9624504407	SET SCREW
5	416016701	SET SCREW
6	N/A	DRIVER CAM-C
7	N/A	SET SCREW
8	2141003460	LOOPERLINK
9	N/A	LOWER LOOPER SIDE BLOCK SHAFT
10	N/A	SCREW
11	N/A	CHAIN STICH LOOPER SIDE BLOCK
12	N/A	CHAIN STICH LOOPER SIDE BLOCK SHAFT
13	N/A	SET SCREW
14	N/A	CHAIN STICH LOOPER SHAFT
15	N/A	DIFFERENTIAL FEED SHAFT COLLAR
16	N/A	CHAIN STICH LOOPER DRIVE ROD
17	10124	SET SCREW
18	N/A	CHAIN STICH LOOPER DRIVE LEVER
19	N/A	CHAIN STICH LOOPER DRIVE LEVER PIN
20	40106	E-RING
	N/A	E-RING - FACE LIFT
21	N/A	WASHER
22	N/A	CHAIN STICH LOOPER DRIVE CAM
23	N/A	CHAIN STICH LOOPER CONNECTING LEVER
24	N/A	CHAIN STICH LOOPER ROD
25	N/A	CHAIN STICH LOOPER ROD LEVER
26	N/A	CHAIN STICH LOOPER EXCHANGE PIN
27	N/A	CHAIN STICH LOOPER EXCHANGE CONNECTING ROD
28	N/A	EXCHANGE CONNECTING ROD COLLAR
29	N/A	SCREW
30	N/A	RING LOOPER EXCHANGE SPRING
31	20204	HEXAGON SCREW
32	N/A	CHAIN STICH LOOPER
33	N/A	WASHER
34	N/A	SET SCREW
35	N/A	WASHER
36	N/A	CHAIN STICH LOOPER TAKE-UP LEVER
37	N/A	CHAIN STICH LOOPER THREAD GUIDE
38	N/A	SPRING COVER
39	N/A	SPRING
40	N/A	SCREW
41	40110	E-RING
42	N/A	WASHER
43	N/A	WASHER
44	N/A	WASHER
48	20308	SCREW (FROM #389612)
50	2150002509C	NEEDLE GUIDE ASS'Y (FROM #389612)

G

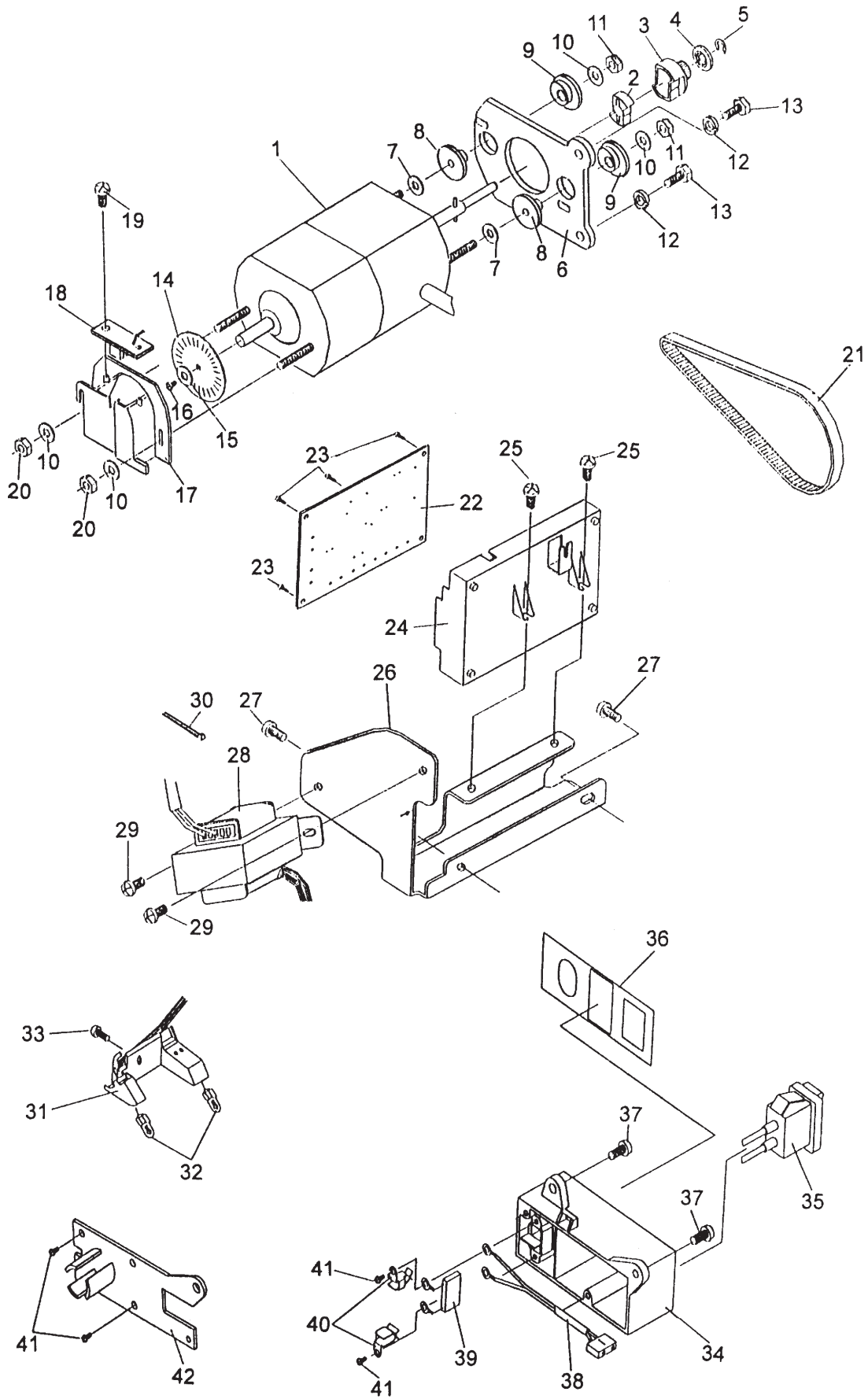


<u>INDEX</u> <u>NO.</u>	<u>REF. NO.</u>	<u>PART NAME</u>
1	N/A	CUTTER STAND SHAFT
2	1650004696	SET SCREW FOR FEED CAM
3	2141004229	UPPER CUTTER
4	N/A	SET SCREW
5	N/A	WASHER
6	2141004233	UPPER CUTTER LEVER
7	2141004224	UPPER CUTTER LEVER PIN
8	9624504407	SET SCREW
9	2141004216	CUTTER LINK (2)
10	N/A	CUTTER LINK (2) PIN
11	N/A	WASHER
12	10124	E-RING
13	N/A	SCREW
14	N/A	ADJUSTING NUT
15	N/A	WASHER (TO # 389611)
	N/A	WASHER (FROM #389612)
16	N/A	CUTTER PRESSURE SPRING
17	N/A	CUTTER ROTATING DIAL
18	N/A	CUTTER LINK SHAFT
19	40116	E-RING
20	416016701	SET SCREW
26	1650001565651	STITCH FINGER KNOB
27	N/A	LOWER CUTTER
28	10945	SCREW
29	N/A	CUTTER-WIDTH ADJUSTING DIAL
30	N/A	E-RING
31	N/A	LOWER CUTTER SPRING
32	2141004250	LOWER CUTTER STAND ASS'Y(TO #389611)
	N/A	LOWER CUTTER STAND ASS'Y (FROM #389612)
33	N/A	SCREW
34	2141004423	DIAL SHAFT BUSHING
35	2141004431	CUTTINGWIDTH ADJUSTING CAM
36	1650004696	SET SCREW
37	N/A	POSITION DECIDED SPRING
38	90206	POSITION DECIDED BALL
39	2141004422	CUTTING-WIDTH ADJUSTING DIAL BUSHING
40	N/A	WASHER
41	N/A	SCREW

H

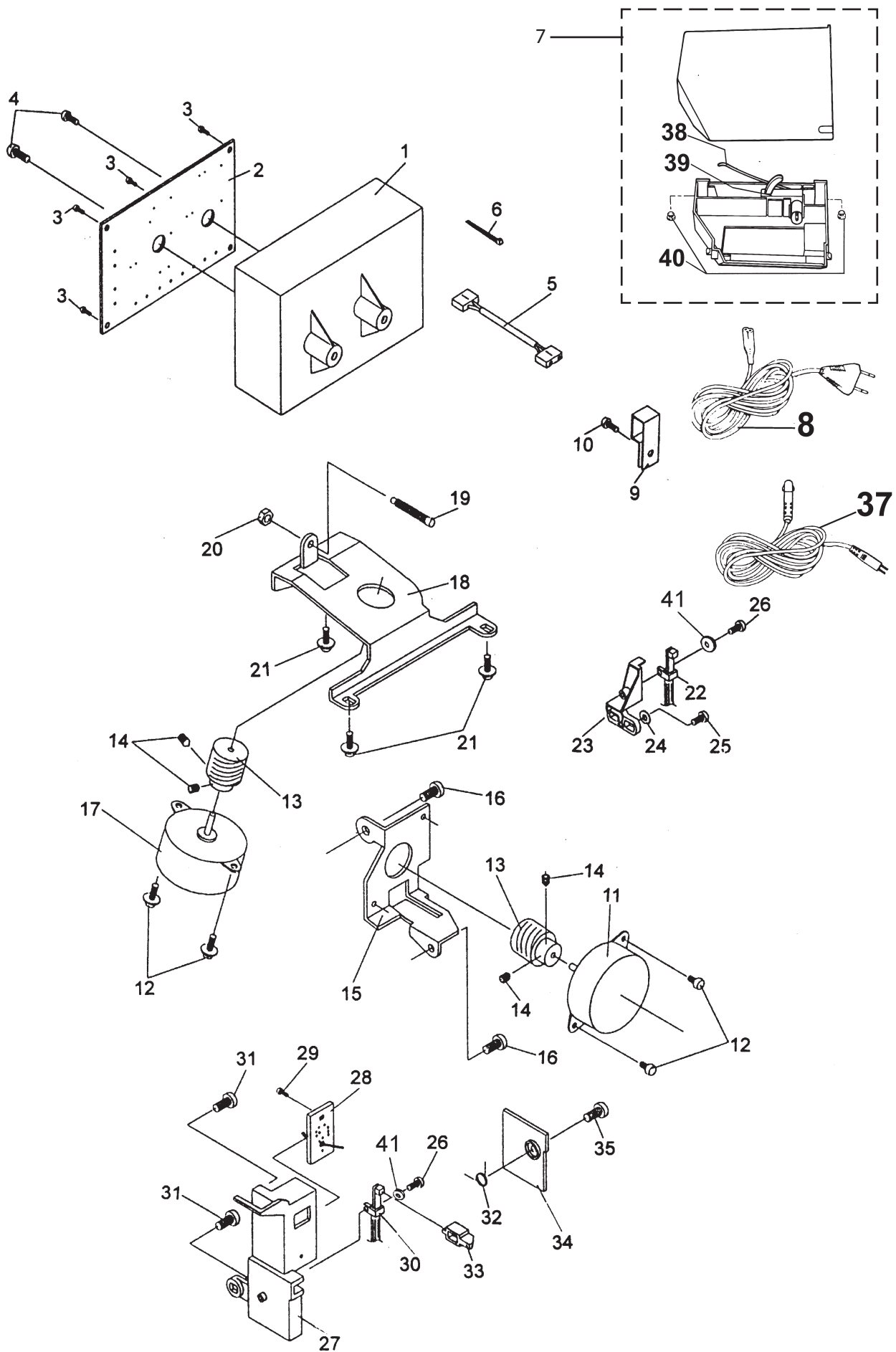


<u>INDEX</u> <u>NO.</u>	<u>REF. NO.</u>	<u>PART NAME</u>
1	N/A	FEED PLATE
2	2141004629	FEED LIFTING BLOCK (3)
3	60507	WASHER
4	N/A	DIFFERENTIAL FEED PLATE
5	10124	SET SCREW
6	N/A	DIFFERENTIAL FEED SHAFT COLLAR (1)
7	N/A	DIFFERENTIAL FEED INTER LEVER
8	N/A	WASHER
9	N/A	DIFFERENTIAL ADJUSTING LEVER
10	N/A	E-RING
11	N/A	SET SCREW
12	N/A	DIFFERENTIAL FEED ROD
13	N/A	FEED PLATE PIN (1)
14	N/A	DIFFERENTIAL FEED ROD PIN
15	2150004612	DIFFERENTIAL FEED DOG
16	20210	SET SCREW
17	N/A	FEED ADJUSTING PLATE
18	N/A	FEED DOG
19	N/A	BLOCK
20	N/A	DIFFERENTIAL FEED LEVER
21	416016701	SET SCREW
22	N/A	FEED ROD
23	N/A	FEED PLATE PIN (2)
24	N/A	FEED PLATE PIN (1)
24	N/A	WASHER
25	N/A	DIFFERENTIAL FEED PLATE SHAFT
26	10132	SET SCREW
27	N/A	DIFFERENTIAL FEED SHAFT COLLAR (2)
28	N/A	SET SCREW
29	N/A	DIFFERENTIAL FEED SHAFT
30	N/A	DIFFERENTIAL FEED SHAFT COLLAR
31	N/A	SET SCREW
32	40106	E-RING
33	N/A	FEED CAM
34	10124	SET SCREW



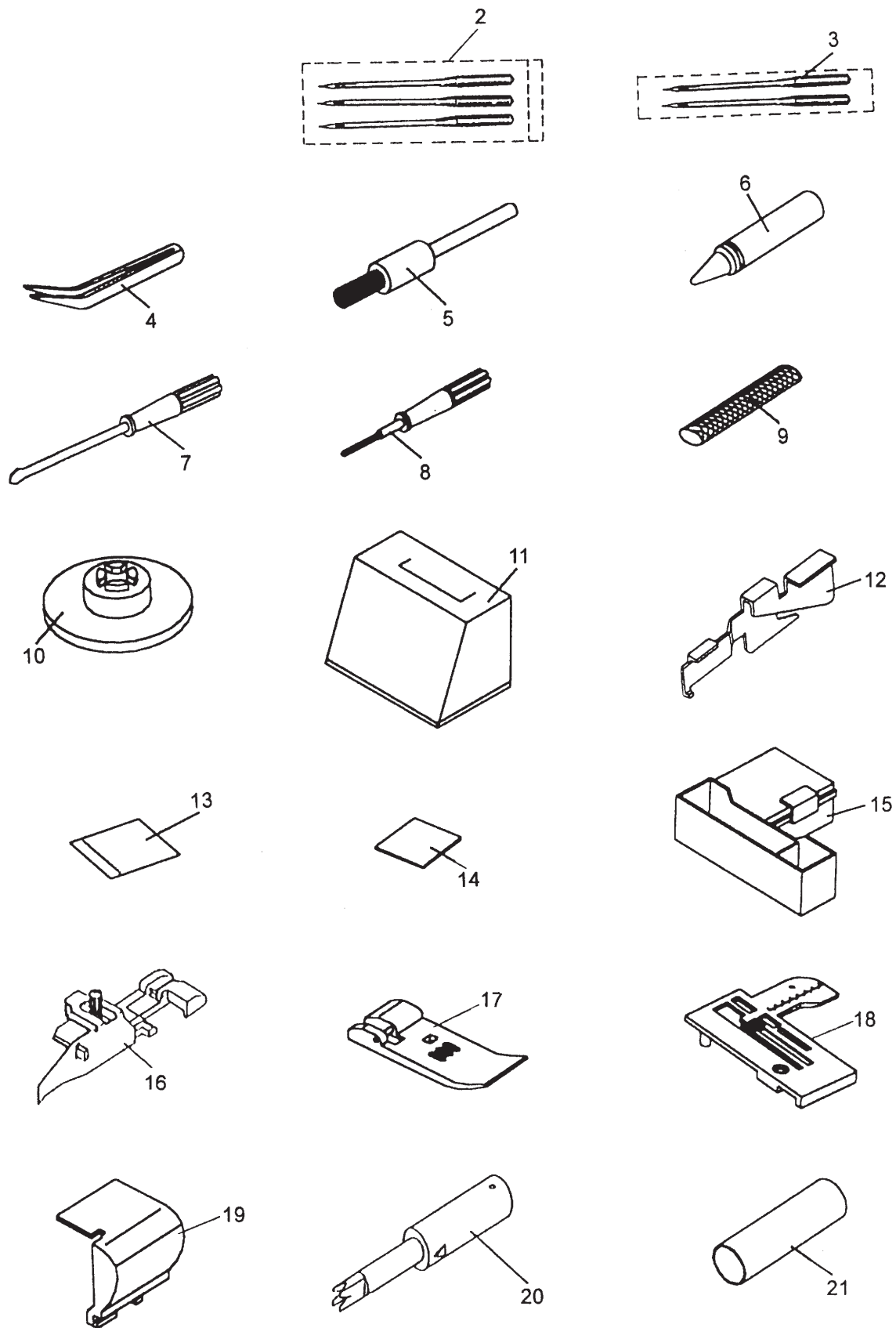
<u>INDEX</u> <u>NO.</u>	<u>REF. NO.</u>	<u>PART NAME</u>
1	N/A	MOTOR (230-240 VOLT)
	N/A	MOTOR (120 VOLT)
2	1650008842	CUSHION RUBBER
3	2150008844	MOTOR PULLEY
4	2150008845	MOTOR PULLY STOPPER
5	40110	E - RING
6	N/A	MOTOR BRACKET
7	416004501	WASHER
8	150008825	INSULATING RING (INSIDE)
9	150008832	INSULATING RING (OUTSIDE)
10	416004301	WASHER
11	30111	NUT
12	N/A	SPRING WASHER
13	N/A	HEXAGON SCREW
14	2150008252	SPEED SENSOR PLATE
15	N/A	WASHER
16	N/A	WASHER
17	N/A	SPEED SENSOR COVER
18	N/A	SPEED SENSOR ASS'Y
19	N/A	SCREW
20	N/A	NUT
21	2150008843	TIMING BELT
22	N/A	CONTROL ELECTRIC BOARD
23	11203	SCREW
24	2143008285	CONTROL ELECTRIC BOARD CASE
25	416001501	SCREW
26	N/A	CONTROL ELECTRIC BOARD BRACKET
27	N/A	SCREW
28	2143018381	TRANSFORMER (230-240 VOLT)
	N/A	TRANSFORMER (120 VOLT)
29	N/A	SCREW
30	N/A	CORD BINDER
31	N/A	LIGHTING SET
32	413181801	LIGHT BULB
33	N/A	SET SCREW
34	2150008838	TERMINAL BOX
35	N/A	SWITCH ASS'Y (230-240 VOLT)
	N/A	SWITCH ASS'Y (120 VOLT)
36	N/A	POWER SUPPLY PLATE
37	416001101	SET SCREW
38	N/A	REPEATING CONNECTOR ASS'Y
40	2150008837	END OF CONTROLLER
41	N/A	SCREW
42	N/A	TERMIAL BOX HOLDER PLATE

J

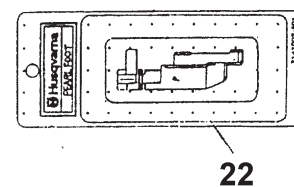


<u>INDEX</u> <u>NO.</u>	<u>REF. NO.</u>	<u>PART NAME</u>
1	2141008811	ELECTRIC BOARD CASE
2	N/A	ELECTRIC BOARD (220-240 VOLT)
	N/A	ELECTRIC BOARD (120 VOLT)
3	11203	SCREW
4	N/A	SCREW
5	N/A	CONNECTING ELECTRIC CORD
6	N/A	CORD BINDER
7	N/A	FOOT CONTROL
8	412157801	CORD DEVICE, STAND
	412157901	CORD USA, CANADA
	412158002	CORD DEVICE, UK
	412158101	CORD DEVICE, AUSTRALIA
9	N/A	CORD GUIDE PLATE
10	N/A	SET SCREW
11	N/A	FEED STEPPING MOTOR ASS'Y
12	N/A	SCREW
13	N/A	FEED WORM GEAR ASS'Y
14	N/A	SCREW
15	N/A	FEED STEPPING MOTOR BRACKET
16	416001101	SCREW
17	N/A	DIFFERENTIAL STEPPING MOTOR ASS'Y
18	N/A	DIFFERENTIAL STEPPING MOTOR BRACKET
19	850004730	ADJUSTING SCREW
20	N/A	ADJUSTING NUT
21	N/A	SCREW
22	N/A	PRESSER FOOT LIFTING SWITCH ASS'Y
23	N/A	PRESSER FOOT LIFTER HOLDING PLATE
24	N/A	WASHER
25	N/A	SCREW
26	N/A	SCREW
27	N/A	UPPER STOP SENSOR BRACKET
28	N/A	UPPER STOP SENSOR ASS'Y
29	11203	SCREW
30	N/A	FRONT COVER SWITCH ASS'Y
31	416001501	SCREW
32	N/A	SWITCH BUTTON SPRING
33	N/A	SWITCH BUTTON
34	N/A	SWITCH COVER
35	N/A	SCREW
37	412314401	CABLE, STANDARD
	412314402	CABLE USA, CAN
38	412159801	SPRING
39	412318901	CONTROL UNIT
40	412184501	FOOT
41	N/A	WASHER

K



INDEX NO.	REF. NO.	PART NAME
2	620098096	NEEDLE 5X 80 #
	620070496	NEEDLE 10X 80#
3	620070596	NEEDLE 5 X 90 #
	620070696	NEEDLE 10 X 90 #
4	N/A	TWEEZERS
5	401555501	CLEANING BRUSH
6	415643401	OILER
7	412381501	DRIVER L
8	411668901	HEXAGON DRIVER 1,5 MM
9	412397701	NET
10	1350002198	SPOOL ADAPTER
11	N/A	VINYL COVER
12	416014801	2-THREAD OVERLOCK CONVERTOR - (UP TO #389611)
13	150012483	PLASTIC BAG
14	2141009844	NEEDLE HOLDER
15	2141001350	ACCESSORY BOX
16	N/A	MULTIPURPOSE FOOT
17	2150012510	PRESSER FOOT
18	2150011501	NEEDLE PLATE
19	N/A	CUTTER COVER -C
20	411000096	NEEDLE THREADER
21	412570101	SLEEVE, LIGHT BULB CHANGE



ACCESSORIES

22	N/A	PEARL FOOT
23	2141002502	GATHERING FOOT
24	N/A	ELASTIC FOOT
25	2141002408	PIPING FOOT - LARGE
26	2141012408	PIPING FOOT - SMALL
	N/A	CLEAR FOOT
	N/A	WASTE TRAY
	416017101	BY PASS FOR THREAD GUIDE E
	N/A	INSTRUCTION BOOK - SWE
	N/A	INSTRUCTION BOOK - DAN
	N/A	INSTRUCTION BOOK - FIN
	N/A	INSTRUCTION BOOK - NOR
	412857626	INSTRUCTION BOOK - ENG
	N/A	INSTRUCTION BOOK - FRA
	N/A	INSTRUCTION BOOK - DUTCH
	412857641	INSTRUCTION BOOK - ITA
	N/A	INSTRUCTION BOOK - SPA
	412857651	INSTRUCTION BOOK - GER
	N/A	INSTRUCTION BOOK - RUSSIAN

