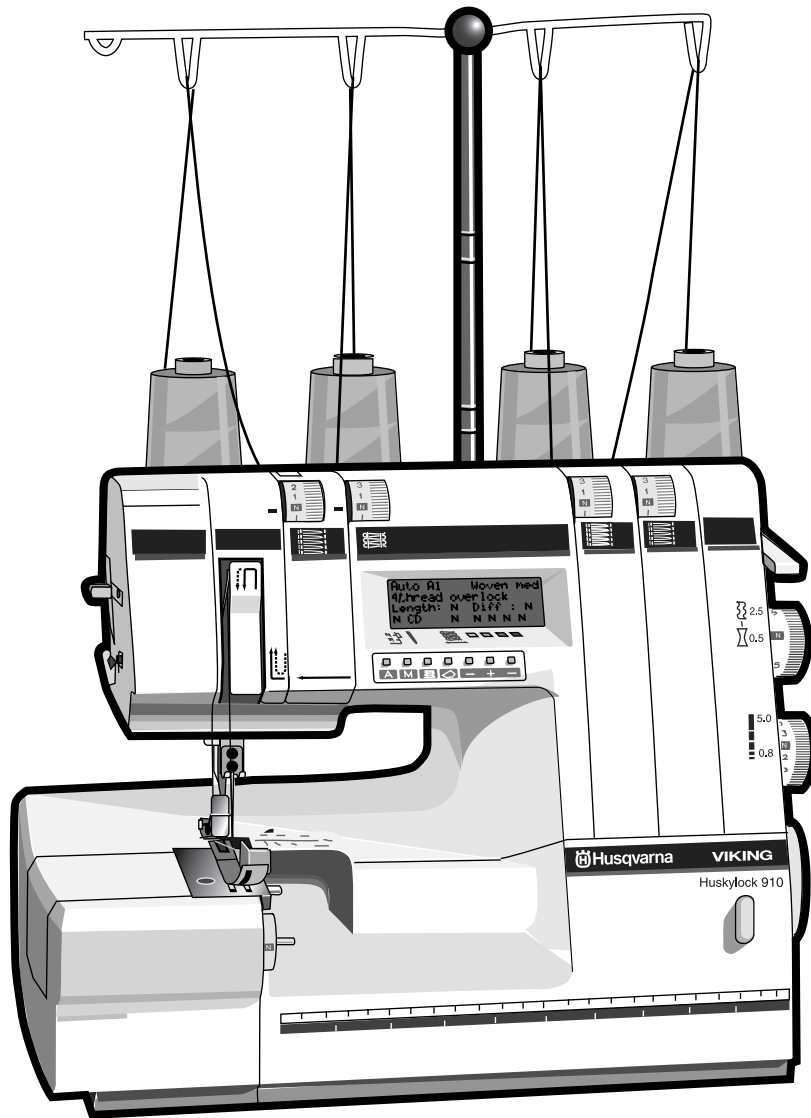


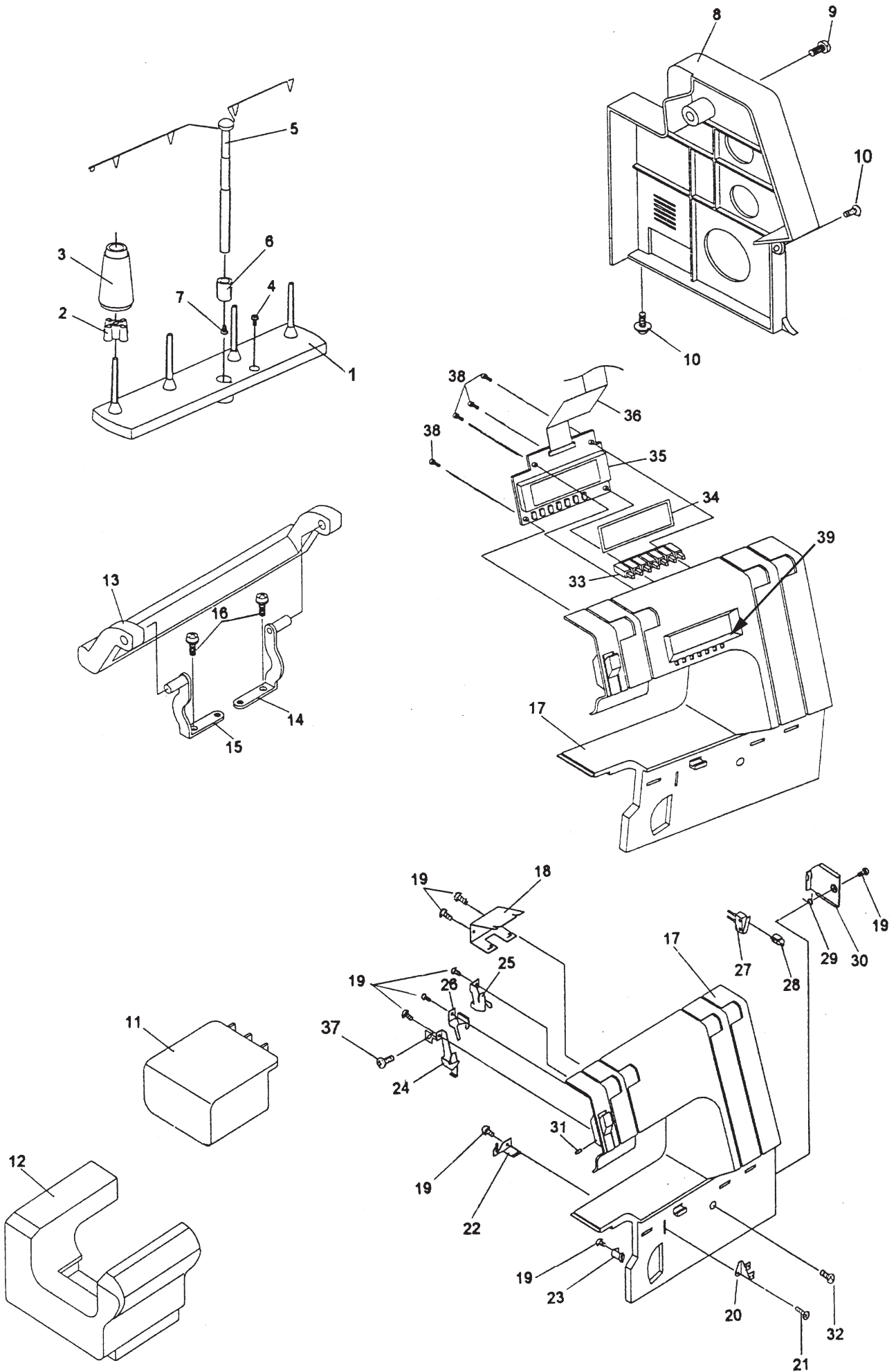
Parts list



Huskylock 905 - 910

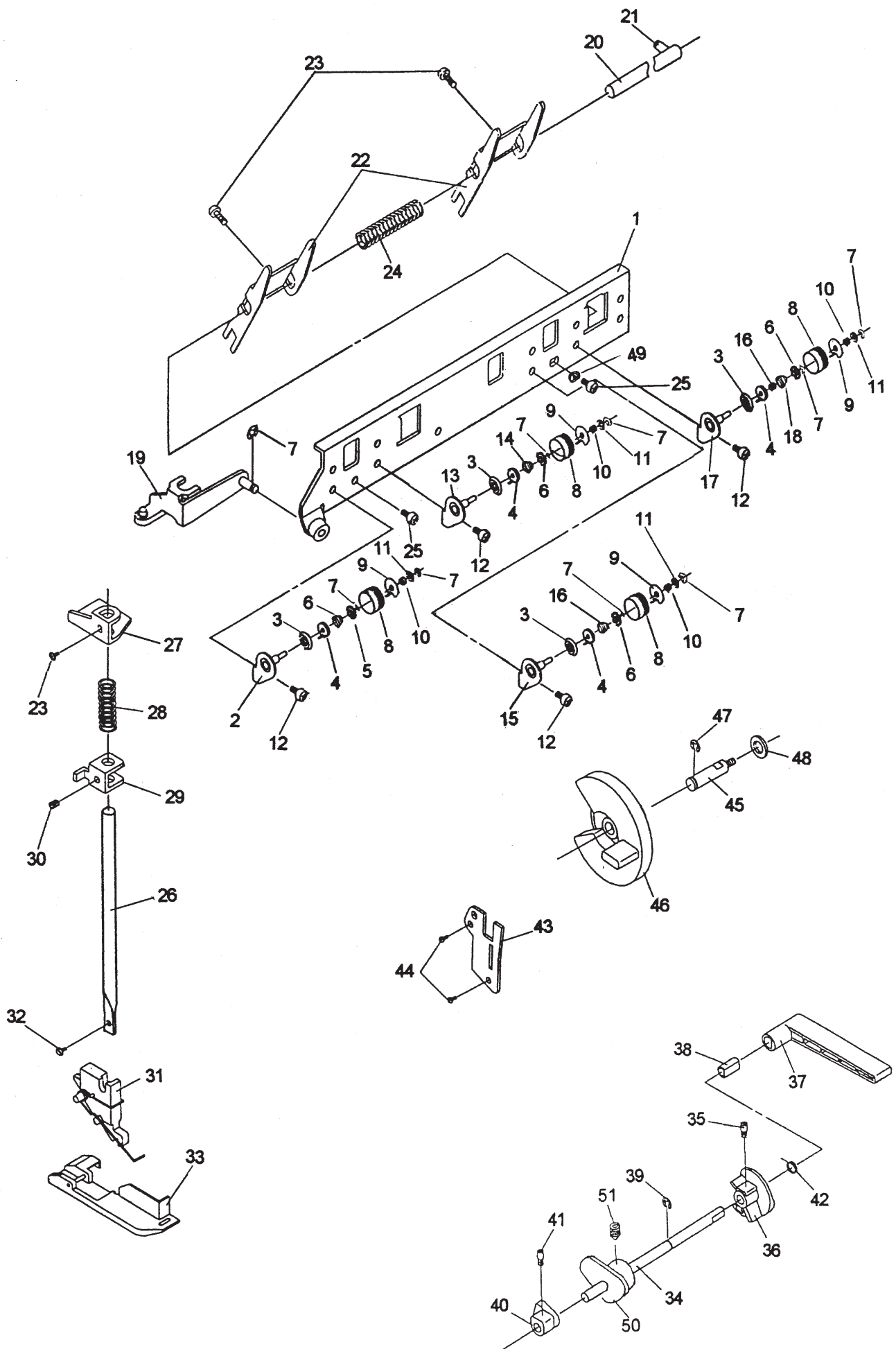
1	N/A	ARM
2	N/A	UPPER SHAFT BUSHING -R -
	N/A	LOWER SHAFT BUSHING -R -
3	N/A	UPPER SHAFT BUSHING -F -
	N/A	LOWER SHAFT BUSHING -F -
4	N/A	CUTTER LINK BUSHING (1)
5	N/A	CUTTER LINK BUSHING (2)
6	N/A	NEEDLE BAR BUSHING (1)
7	N/A	NEEDLE BAR BUSHING (2)
8	N/A	SPRING PIN
9	N/A	NEEDLE PLATE
10	10811	SET SCREW FOR NEEDLE PLATE
11	N/A	SIDE COVER ASSEMBLY FOOT
12	2141001162651	SIDE COVER
13	11924	SET SCREW FOR SIDE COVER
14	N/A	STOPPER
15	N/A	SET SCREW FOR STOPPER
16	N/A	FRONT COVER - HUSQVARNA VIKING 905
	N/A	FRONT COVER - HUSQVARNA VIKING 910
17	N/A	FRONT COVER HINGE
18	N/A	FRONT COVER SHAFT
19	N/A	FRONT COVER SPRING
20	40110	E-RING
21	N/A	SET SCREW FOR FRONT COVER HINGE
22	N/A	BASE
23	N/A	SWALLOW RUBBER FOOT
24	N/A	SET PIN FOR SWALLOW RUBBER FOOT
25	10946	SET SCREW
26	N/A	FACE COVER - 905
	N/A	FACE COVER - 910
27	416106701	THREAD CUTTER PLATE
30	N/A	FACE COVER SEAT
31	11203	SET SCREW
32	N/A	ASSISTANT THREAD GUIDE
33	11913	SET SCREW FOR FACE COVER
34	416104301	REAR COVER
35	2141002111	THREAD GUIDE -A-
36	30301	SQUARE NUT
37	11203	TAPPING SCREW
38	N/A	SET SCREW FOR REAR COVER
39	N/A	DIFFERENTIAL FEED SHAFT BUSHING
40	N/A	PRESSER BAR BUSHING (1)
41	N/A	PRESSER BAR BUSHING (2)
42	416004301	WASHER
43	N/A	ASSISTANT PLATE SHAFT
44	1250004153	FELTER - OLD VERSION
	2141002118	FELTER - NEW VERSION
45	N/A	WASHER
46	N/A	LOWER SHAFT BUSHING SUPPORT
47	N/A	HEXAGON SCREW
48	N/A	LOWER SHAFT BUSHING
49	2141012116	THREAD GUIDE (F)
50	2141002149	THREAD GUIDE (F) HOLDER
51	90206	POSITION DEDIDED BALL
52	N/A	POSITION DECIDED SPRING

B



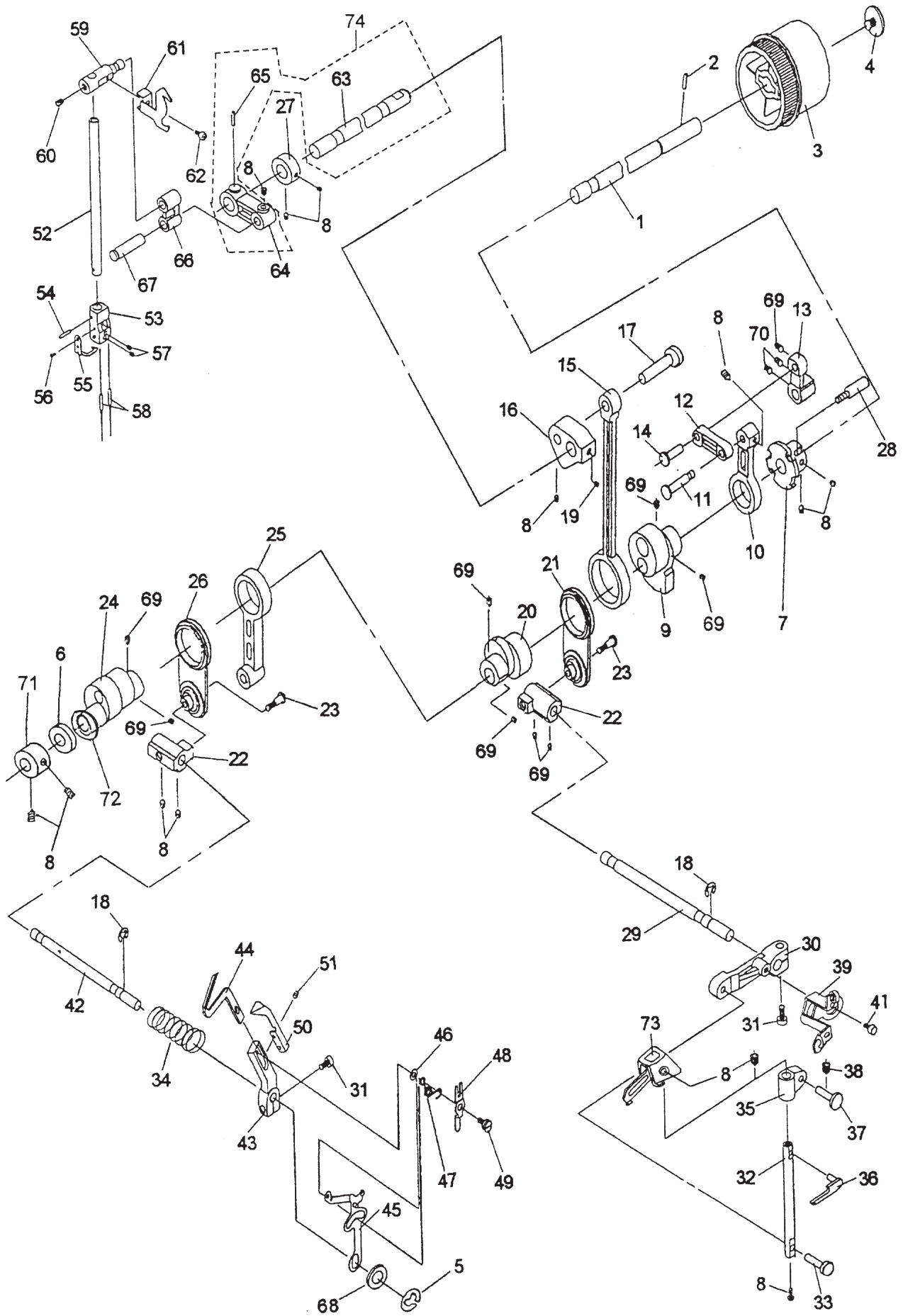
1	2141002180651	SPOOL PIN STAND
2	1250002197	THREAD HOLDER
3	N/A	SPOOL - YELLOW
	N/A	SPOOL - RED
	N/A	SPOOL - GREEN
	N/A	SPOOL - BLUE
4	N/A	SET SCREW FOR SPOOL PIN STAND
5	411000043	THREAD STAND
6	N/A	TELESCOPIC THREAD STAND COLLAR
7	N/A	SET SCREW
8	N/A	MOTOR COVER
9	11936	SET SCREW FOR MOTOR COVER
10	11203	SET SCREW FOR MOTOR COVER
11	2141001163651	FREE-ARM COVER
12	2141001160651	COVER FOR FLAT BED
13	N/A	HANDLE
14	N/A	HANDLE HINGE - R -
15	N/A	HANDLE HINGE - L -
16	N/A	SET SCREW FOR HANDLE HINGE
17	N/A	FRONT PANEL - 905
	N/A	FRONT PANEL - 910
18	N/A	THREAD GUIDE (B)
19	N/A	TAPPING SCREW
20	N/A	THREAD GUIDE (C)
21	N/A	TAPPING SCREW
22	N/A	UPPER LOOPER THREAD GUIDE
23	N/A	LOWER LOOPER THREAD GUIDE
24	2141002281	TAKE-UP LEVER THREAD GUIDE -A-
25	N/A	TAKE-UP LEVER THREAD GUIDE -B-
26	N/A	TAKE-UP LEVER THREAD GUIDE -C-
27	N/A	FRONT COVER SWITCH ASS'Y
28	N/A	SWITCH BUTTON
29	N/A	SWITCH BUTTON SPRING
30	N/A	SWITCH COVER
31	N/A	PARALLEL PIN
32	416001501	SET SCREW
33	N/A	LCD OPERATING BUTTON
34	2143008216	LCD PROTECTING PLATE (910)
35	N/A	LCD INDICATING PLATE (910)
36	2143008213	PRINTING ELECTRIC BOARD (910)
37	N/A	SCREW
38	11203	TAPPING SCREW- 910
39	N/A	LCD OPERATING STICKER (910)

C



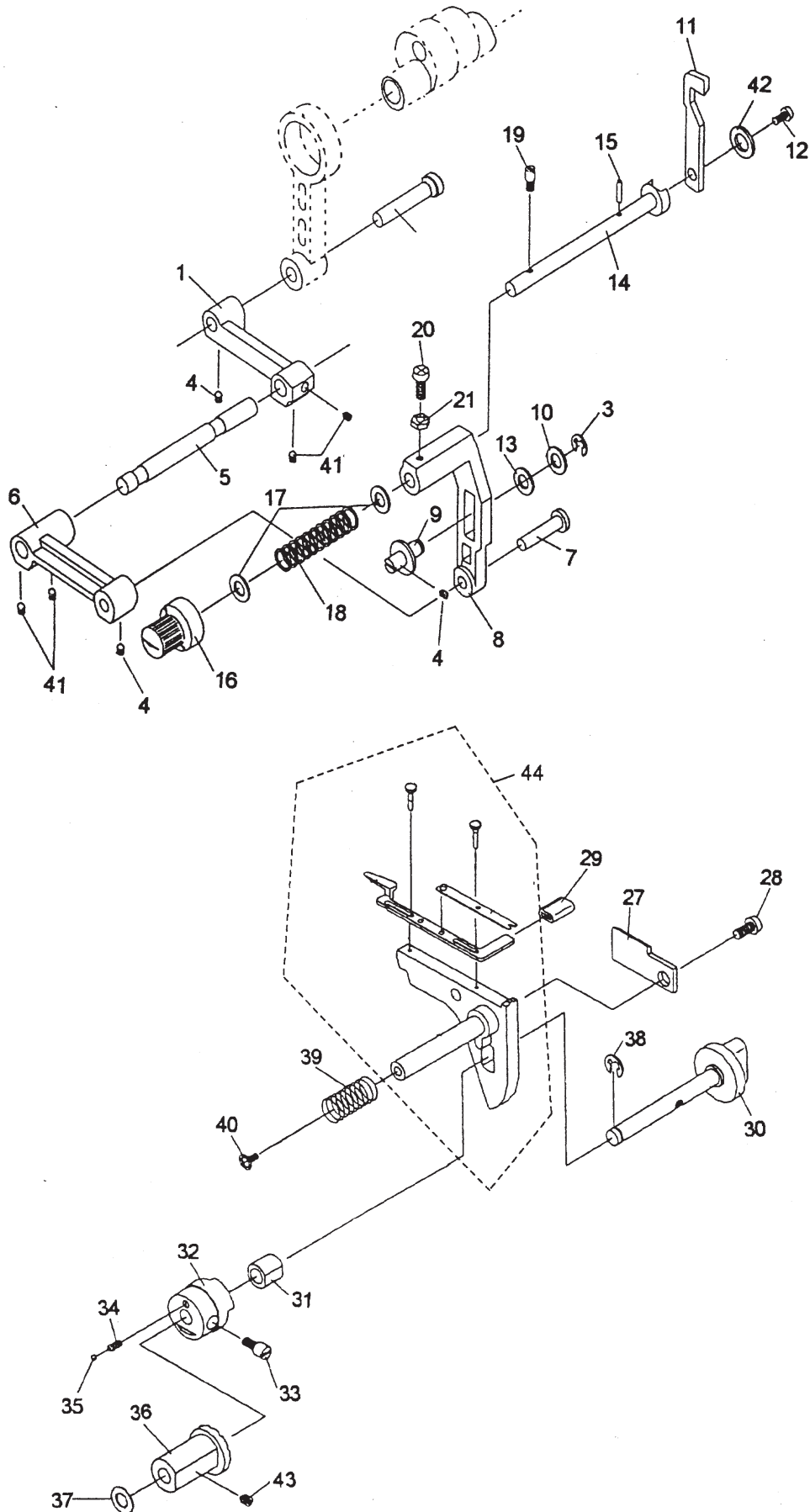
1	N/A	TENSION HOLDING PLATE
2	N/A	TENSION BRACKET
3	N/A	TENSION DISC -R-
4	N/A	TENSION DISC BRACKET
5	N/A	TENSION SPRING -A-
6	2141002126	TENSION NUT
7	40110	E RING
8	N/A	TENSION DIAL (1) - YELLOW
	N/A	TENSION DIAL (2) - RED
	N/A	TENSION DIAL (3) - GREEN
	2143042153651	TENSION DIAL (4) - BLUE
9	N/A	TENSION DISC REGULATING PLATE
10	N/A	TENSION DIAL SPRING
11	416004301	WASHER
12	N/A	SET SCREW
13	N/A	TENSION BRACKET
14	N/A	TENSION SPRING -A-
15	N/A	TENSION BRACKET
16	416011301	TENSION SPRING -B-
17	N/A	TENSION BRACKET
18	N/A	TENSION SPRING -C-
19	N/A	PRESSURE ADJUSTING PLATE
20	N/A	THREAD RELEASE SHAFT
21	N/A	DRIVE PIN
22	N/A	THREAD RELEASE PLATE -B-
23	N/A	SET SCREW
24	N/A	THREAD RELEASE STUD SPRING
25	416001101	SET SCREW
26	2141002361	PRESSER BAR
27	N/A	DRIVER PLATE
28	N/A	PRESSER BAR SPRING
29	N/A	PRESSER BAR BRACKET
30	N/A	SET SCREW FOR BRACKET
31	N/A	PRESSER FOOT HOLDER
32	N/A	SET SCREW FOR PRESSER FOOT HOLDER
33	N/A	PRESSERFOOT
34	N/A	PRESSER FOOT LIFTER SHAFT
35	1650004696	SET SCREW FOR THREAD RELEASE CAM
36	N/A	THREAD RELEASE CAM
37	2141002366651	PRESSER FOOT LIFTER LEVER
38	50421	SPRING RING
39	40106	E RING
40	N/A	PRESSER FOOT LIFTER CAM
41	1650004696	SET SCREW FOR PRESSER BAR LIFTER CAM
42	N/A	PRESSER FOOT LIFTER SPRING
43	N/A	PRESSER BAR BRACKET STOPPER
44	N/A	SET SCREW
45	2141002584	PRESSURE ADJUSTING STUD
46	2141002377651	PRESSURE ADJUSTING DIAL
47	40106	E RING
48	N/A	WASHER
49	N/A	WASHER
50	N/A	PRESSER FOOT LIFTER LEVER STOPPER
51	10124	SET SCREW

D



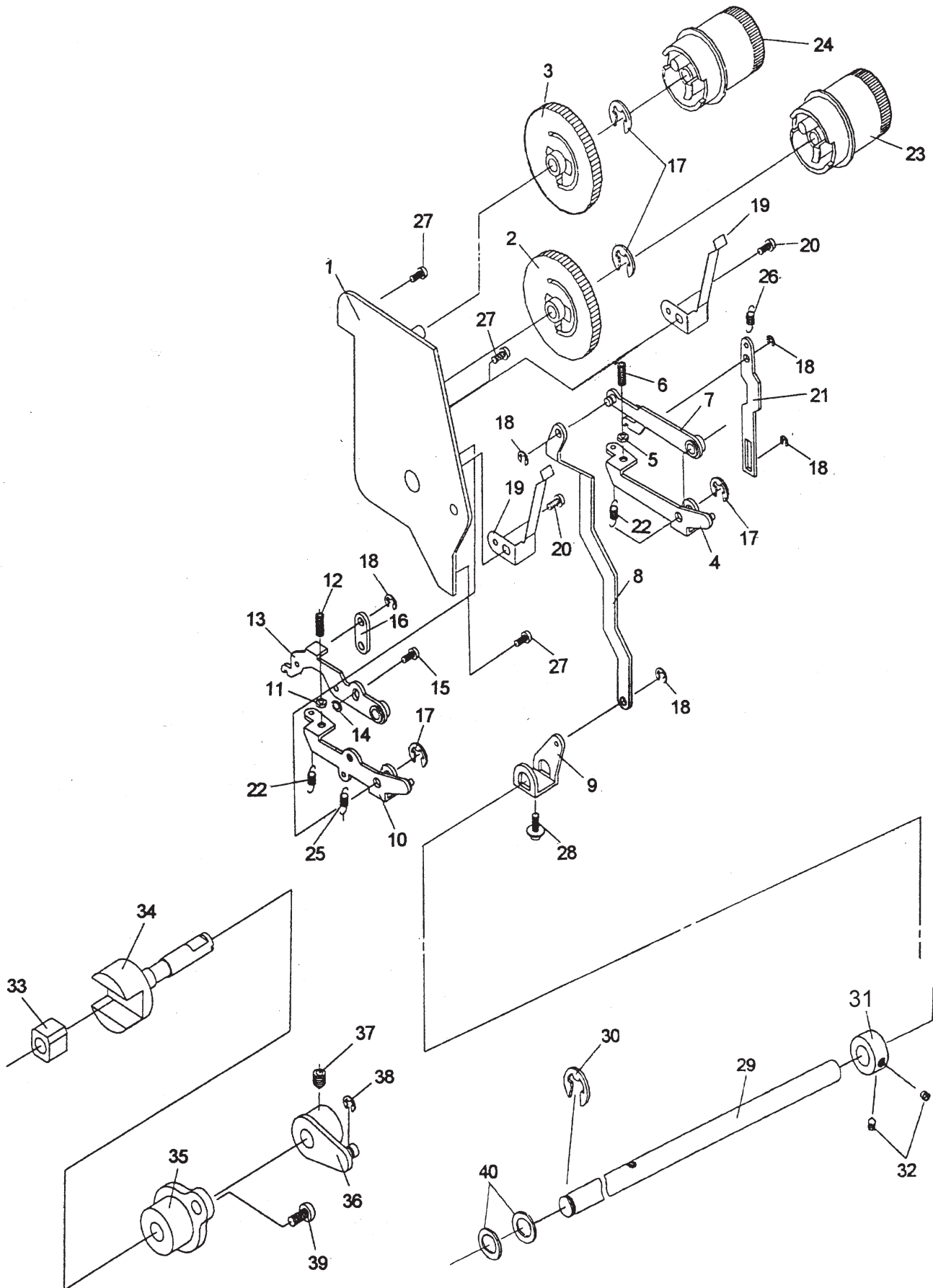
1	N/A	LOWER SHAFT	55	2141002341	NEEDLE BAR THREAD GUIDE
2	N/A	SPRING PIN	56	10601	SET SCREW FOR THREAD GUIDE
3	2141003151651	HANDWHEEL	57	10141	SET SCREW FOR NEEDLE
4	10936	SET SCREW FOR HAND WHEEL	58	620098096	NEEDLE 5 X # 80
5	40106	E RING	59	2141002322	NEEDLE BAR CRANK
6	N/A	FLAT WASHER	60	10132	SET SCREW FOR NEEDLE BAR CRANK
7	N/A	LOWER SHAFT COLLAR	61	N/A	TAKE-UP LEVER
8	10124	SET SCREW FOR LOWER SHAFT COLLAR	62	N/A	SET SCREW FOR TAKE-UP LEVER
9	N/A	DRIVER CAM - A -	63	N/A	UPPERSHAFT
10	N/A	FEED LINK	64	N/A	NEEDLE BAR DRIVER LEVER
11	N/A	FEED LINK PIN	65	N/A	SPRING PIN
12	N/A	FEED INTER LINK	66	N/A	NEEDLE BAR DRIVER LINK
13	N/A	FEED LEVER (1)	67	1250002315	NEEDLE BAR DRIVER LINK PIN
14	N/A	FEED DIFFERENTIAL PIN	68	N/A	WASHER
15	N/A	UPPER SHAFT DRIVER LINK	69	N/A	SET SCREW
16	N/A	BALANCE CRANK	70	416016701	SET SCREW
17	N/A	UPPER SHAFT DRIVER LINK PIN	71	N/A	UPPER SHAFT COLLAR
18	40106	E RING	72	N/A	WASHER
19	416000101	SET SCREW FOR BALANCE CRANK	73	2141003405C	2-THREAD CONVERTER ASS'Y
20	N/A	DRIVER CAM - B -	74	N/A	UPPER SHAFT ASS'Y
21	2141003460	LOOPER LINK			
22	N/A	LOOPER LINK LEVER			
23	N/A	SET SCREW FOR LOOPER LINK			
24	N/A	DRIVER CAM - C -			
25	N/A	CUTTER DRIVER LINK			
26	2141003460	LOOPERLINK			
27	N/A	UPPER SHAFT COLLAR			
28	1650004696	CAM SCREW			
29	N/A	UPPER LOOPER SHAFT			
30	2141003417	UPPER LOOPER DRIVER LEVER			
31	20204	SET SCREW FOR UPPER LOOPER DRIVER LEVER			
32	2141003412	UPPER LOOPER STAND SHAFT			
33	N/A	UPPER LOOPER STAND PIN			
34	N/A	LOWER LOOPER ADJUSTING SPRING			
35	2141003426	UPPER LOOPER FULCRUM			
36	411000032	UPPER LOOPER			
37	N/A	UPPER LOOPER FULCRUM SHAFT			
38	10132	SET SCREW			
39	N/A	UPPER LOOPER TAKE-UP LEVER			
40	N/A				
41	N/A	SET SCREW FOR TAKE-UP LEVER			
42	N/A	LOWER LOOPER SHAFT			
43	2141003424	LOWER LOOPER STAND			
44	N/A	LOWER LOOPER			
45	N/A	LOWER LOOPER THREAD GUIDE PLATE- OLD LIGHT BLUE			
	N/A	LOWER LOOPER THREAD GUIDE PLATE- NEW DARK BLUE			
46	N/A	WASHER			
47	N/A	THREAD GUIDE PLATE SPRING			
48	2141002593	THREAD GUIDE PLATE CHANGE LEVER			
49	N/A	SET SCREW FOR GUIDE PLATE			
50	2141002508	NEEDLE GUIDE PLATE			
51	20308	NET SCREW FOR NEEDLE GUIDE PLATE			
52	N/A	NEEDLE BAR			
53	N/A	NEEDLE CLAMP			
54	50433	SPRING PIN			

E



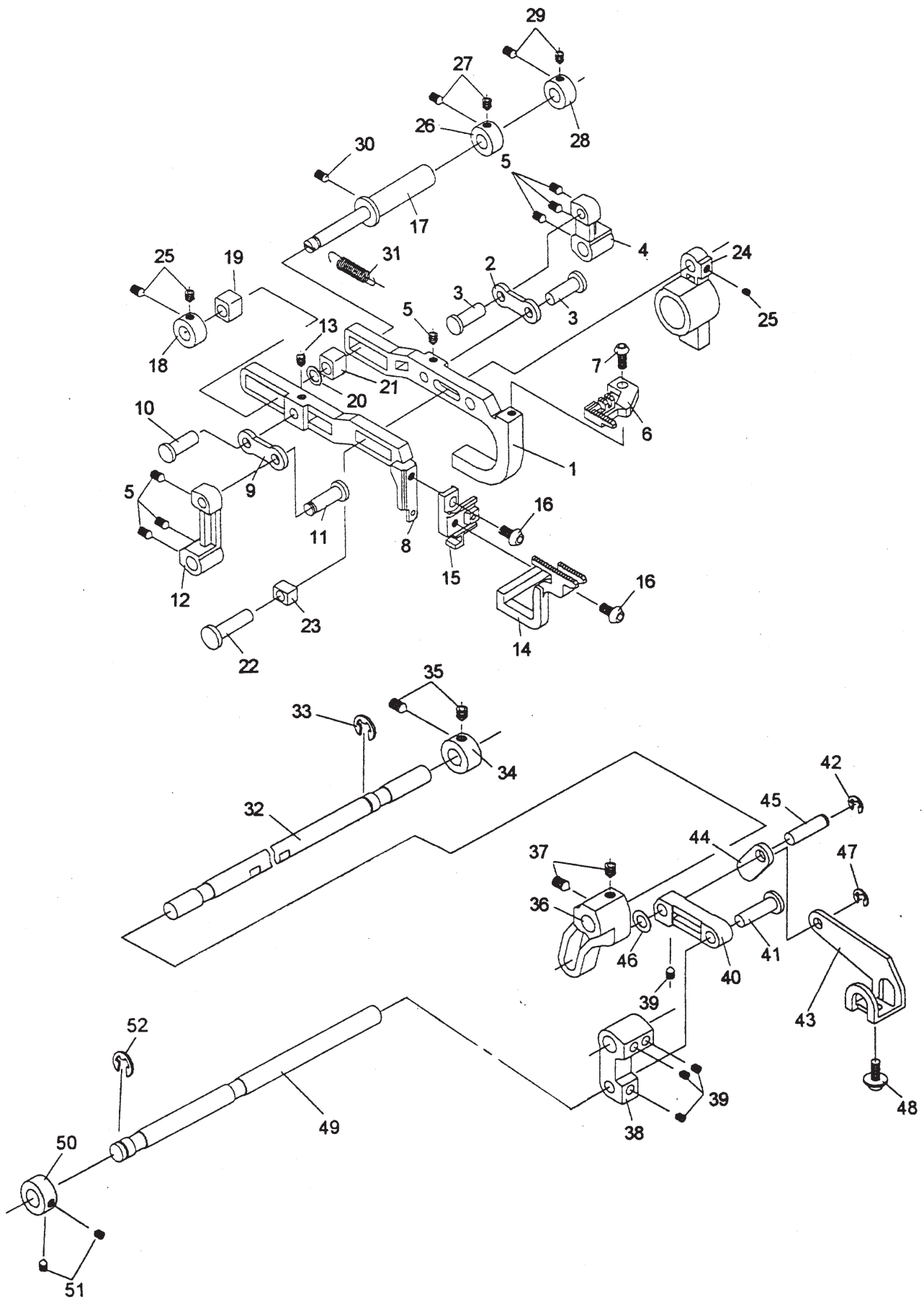
1	2141004215	CUTTER LINK (1)
2	N/A	CUTTER LINK (1) PIN
3	40116	E RING
4	10124	SET SCREW
5	N/A	CUTTER LINK SHAFT
6	2141004216	CUTTER LINK (2)
7	N/A	CUTTER LINK (2) PIN
8	2141004233	UPPER CUTTER LEVER
9	2141004224	UPPER CUTTER LEVER PIN
10	N/A	WASHER
11	2141004229	UPPER CUTTER
12	N/A	SET SCREW FOR UPPER CUTTER
13	N/A	WASHER
14	N/A	CUTTER STAND SHAFT
15	N/A	
16	N/A	CUTTER ROTATING DIAL
17	N/A	WASHER
18	N/A	CUTTER PRESSURE SPRING
19	1650004696	SET SCREW FOR FEED CAM
20	N/A	SET SCREW
21	N/A	ADJUSTABLE NUT
27	N/A	LOWER CUTTER
28	10945	SET SCREW FOR LOWER CUTTER
29	1650001565651	STITCH FINGER KNOB
30	N/A	CUTTING-WIDTH ADJUSTING DIAL
31	2141004423	DIAL SHAFT BUSHING
32	2141004431	CUTTING-WIDTH ADJUSTING CAM
33	1650004696	SET SCREW FOR ADJUSTING CAM
34	N/A	POSITION DECIDED SPRING
35	90206	POSITION DECIDED BALL
36	2141004422	CUTTING-WIDTH ADJUSTING DIAL BUSHING
37	N/A	WASHER
38	N/A	E RING
39	N/A	LOWER CUTTER SPRING
40	N/A	WASHER
41	416016701	SET SCREW
42	N/A	WASHER
43	N/A	SET SCREW
44	N/A	LOWER CUTTER STAND ASS'Y

F



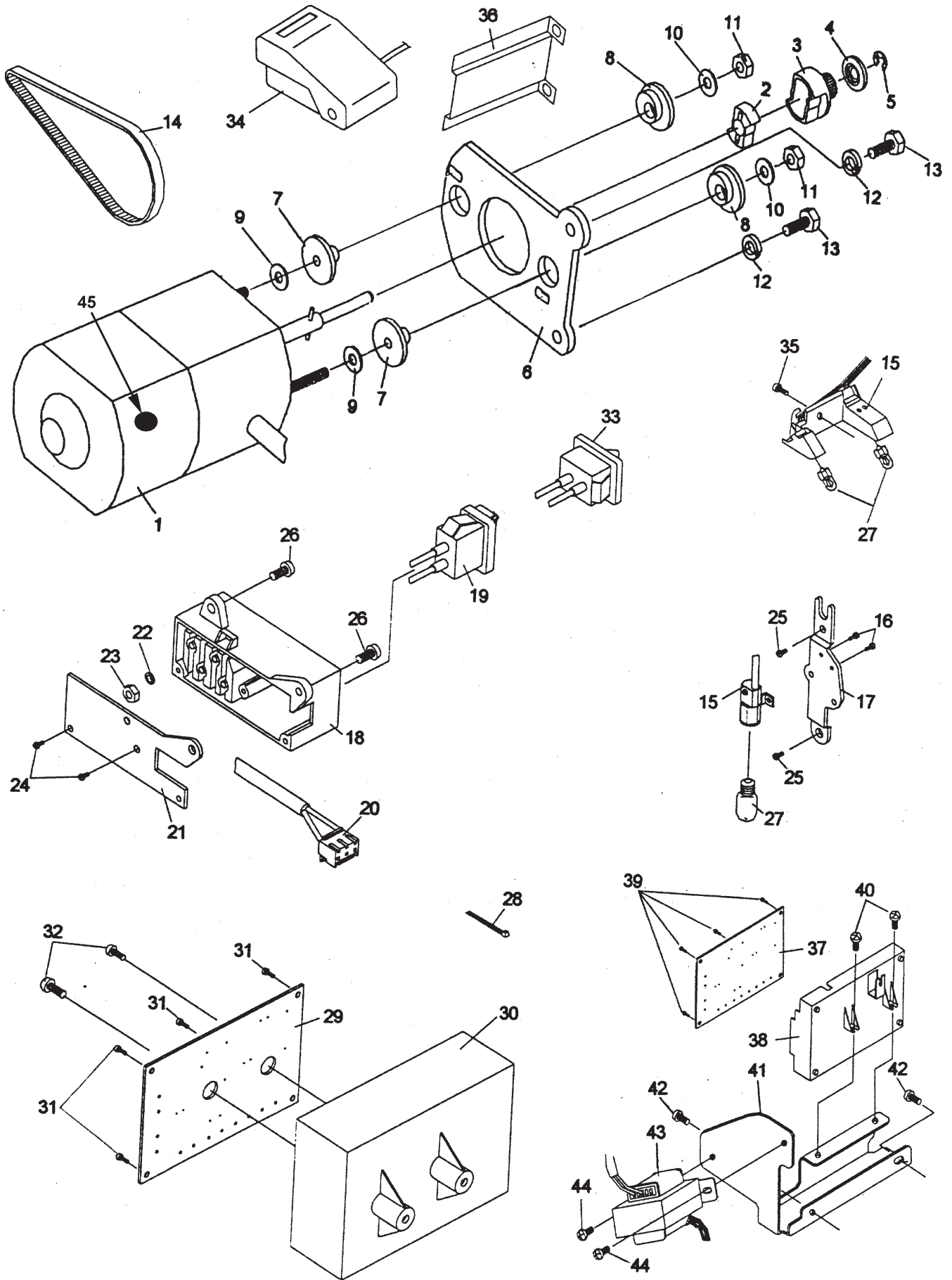
1	N/A	DIAL ASSEMBLY PLATE
2	N/A	FEED CAM
3	2141004692	DIFFERENTIAL FEED CAM
4	N/A	DIFFERENTIAL FEED ADJUSTING ROD (2)
5	N/A	ADJUSTABLE NUT
6	N/A	ADJUSTABLE SCREW
7	N/A	DIFFERENTIAL FEED ADJUSTING ROD (1)
8	N/A	DIFFERENTIAL FEED INTER ROD
9	N/A	DIFFERENTIAL FEED ADJUSTING LEVER
10	N/A	FEED ADJUSTING ROD (2)
11	N/A	ADJUSTABLE NUT
12	N/A	ADJUSTABLE SCREW
13	N/A	FEED ADJUSTING ROD (1)
14	N/A	WASHER
15	N/A	SET SCREW
16	N/A	FEED INTER PLATE
17	N/A	E-RING
18	40110	E-RING
19	N/A	POSITION DECIDED SPRING
20	N/A	SET SCREW
21	N/A	FEED ADJUSTING REFRAIN LINK
22	N/A	FEED ADJUSTING SPRING
23	N/A	STITCH LENGTH DIAL
24	N/A	DIFFERENTIAL FEED ADJUSTING DIAL
25	N/A	FEED ADJUSTING ROD SPRING
26	N/A	FEED REFRAIN ROD SPRING
27	N/A	SET SCREW
28	N/A	SET SCREW
29	N/A	DIFFERENTIAL FEED ADJUSTING SHAFT
30	N/A	E-RING
31	N/A	DIFFERENTIAL FEED SHAFT COLLAR
32	10124	SET SCREW
33	2141004122	SLIDE BLOCK
34	2141004111	FEED REGULATOR
35	N/A	FEED REGULATOR BUSHING
36	N/A	FEED ADJUSTING LEVER
37	10124	SET SCREW
38	40110	E-RING
39	N/A	SET SCREW
40	N/A	WASHER

G

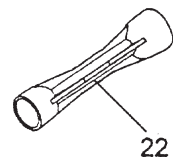
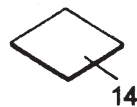
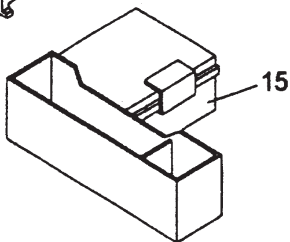
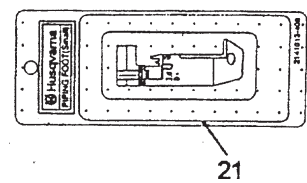
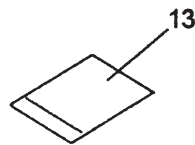
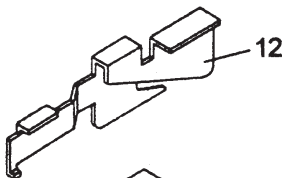
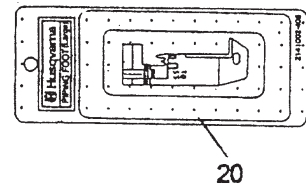
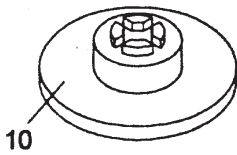
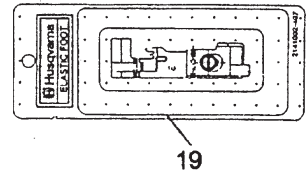
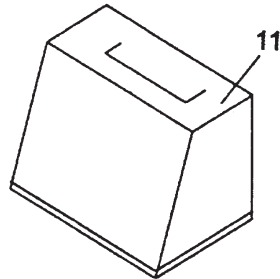
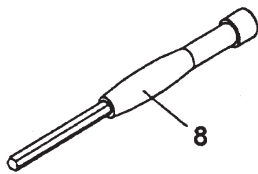
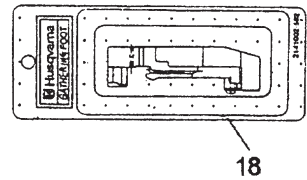
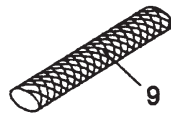
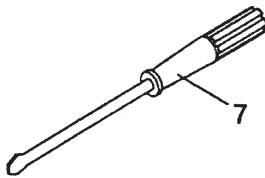
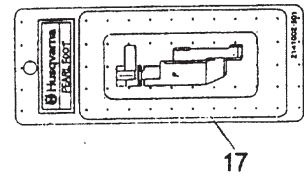
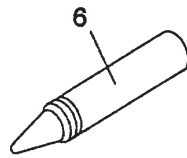
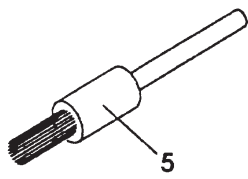
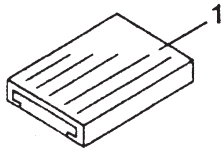
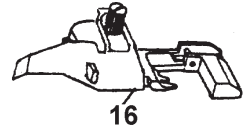


1	N/A	FEED PLATE
2	N/A	FEED ROD
3	N/A	FEED PLATE PIN (1)
4	N/A	FEED LEVER (1)
5	10124	SET SCREW
6	2141004611	FEED DOG
7	20210	SET SCREW FOR FEED DOG
8	N/A	DIFFERENTIAL FEED PLATE
9	N/A	FEED ROD
10	N/A	FEED PLATE PIN (1)
11	N/A	FEED PLATE PIN (2)
12	N/A	FEED LEVER (2)
13	10124	SET SCREW
14	N/A	DIFFERENTIAL FEED DOG
15	N/A	FEED ADJUSTING PLATE
16	N/A	SET SCREW
17	N/A	DIFFERENTIAL FEED PLATE SHAFT
18	N/A	DIFFERENTIAL FEED SHAFT COLLAR (1)
19	N/A	FEED LIFTING BLOCK (1)
20	60507	WASHER
21	2141004629	FEED LIFTING BLOCK (3)
22	N/A	FEED LIFTER SHAFT
23	N/A	FEED LIFTING BLOCK (2)
24	N/A	FEED LIFTING LINK
25	10124	SET SCREW
26	N/A	DIFFERENTIAL FEED SHAFT COLLAR (2)
27	N/A	SET SCREW
28	N/A	DIFFERENTIAL FEED SHAFT COLLAR (2) - NOTE! ONLY OLD VERSION
29	N/A	SET SCREW - NOTE! ONLY OLD VERSION
30	10132	SET SCREW
31	N/A	DIFFERENTIAL FEED PLATE SPRING
32	N/A	FEED SHAFT
33	40106	E-RING
34	N/A	FEED SHAFT COLLAR - NOTE! ONLY FOR OLD VERSION
	N/A	FEED SHAFT COLLAR - NOTE! ONLY FOR NEW VERSION
35	N/A	SET SCREW
36	N/A	DIFFERENTIAL FEED LEVER
37	416016701	SET SCREW
38	N/A	FEED LEVER (1)
39	10124	SET SCREW
40	N/A	FEED INTER LINK
41	N/A	DIFFERENTIAL FEED ROD PIN
42	40110	E-RING
43	N/A	DIFFERENTIAL FEED ADJUSTING LEVER
44	N/A	DIFFERENTIAL FEED INTER LEVER
45	N/A	DIFFERENTIAL FEED LEVER PIN
46	N/A	NYLON WASHER
47	N/A	E-RING
48	N/A	SET SCREW
49	N/A	DIFFERENTIAL FEED SHAFT
50	N/A	FEED SHAFT COLLAR-NOTE! ONLY FOR OLD VERSION
	N/A	FEED SHAFT COLLAR-NOTE! ONLY FOR NEW VERSION
51	N/A	SET SCREW
52	40106	E-RING

H



1	N/A	MOTOR (120V)	43	N/A	TRANSFORMER (120 V) - 910
	N/A	MOTOR (230V)		2143018381	TRANSFORMER (230 V) - 910
2	1650008842	CUSHION RUBBER	44	10946	SET SCREW - 910
3	2141008844	MOTOR PULLEY	45	N/A	CARBON BRUSH (230 VOLT)
4	2141008845	MOTOR PULLEY STOPPER			
5	40110	E-RING			
6	N/A	MOTOR BRACKET			
7	150008825	INSULATING RING (INSIDE) (120V)			
8	150008832	INSULATING RING (OUTSIDE) (120V)			
9	60506	WASHER (120V)			
10	416004301	WASHER (120V)			
11	30111	NUT (120V)			
12	N/A	SPRING WASHER			
13	N/A	SCREW			
14	2141008843	TIMING BELT			
15	2141008110	LIGHTING SET (120V) - 905			
	N/A	LIGHTING SET (230V) - 905			
	N/A	LIGHTING SET (120V,230V) - 910			
16	N/A	SCREW			
17	N/A	LIGHTING BRACKET			
18	2141008838	TERMINAL BOX - NOTE! ONLY FOR OLD VERSION			
	N/A	TERMINAL BOX - NOTE! ONLY FOR NEW VERSION			
19	N/A	SWITCH			
20	N/A	REPEATING CONNECTOR (1)			
	2143008136	REPEATING CONNECTOR (2) (120V, 230V)			
21	N/A	TERMINAL BOX HOLDER PLATE			
22	N/A	WASHER			
23	N/A	NUT			
24	N/A	TAPPING SCREW			
25	N/A	SCREW			
26	416001101	SCREW			
27	N/A	LIGHT BULB(120V) - 905			
	N/A	LIGHT BULB(230V) - 905			
	413181801	LIGHT BULB(120V 230V) - 910			
28	N/A	CORD BINDER			
29	N/A	ELECTRIC BOARD (120V) - 905			
	2141018201	ELECTRIC BOARD (230V) - 905			
	N/A	ELECTRIC BOARD (120V) - 910			
	N/A	ELECTRIC BOARD(230V) - 910			
30	2141008811	ELECTRIC BOARD CASE			
31	11203	SCREW			
32	N/A	SCREW			
33	2141008960	SEWING SPEED SELECTOR			
34	N/A	FOOT CONTROL (120 V US) -2000 NOTE! ONLY FOR OLD TERMINAL BOX			
	N/A	FOOT CONTROL (230 V) -2000 NOTE! ONLY FOR OLD TERMINAL BOX			
	N/A	FOOT CONTROL (120 V US) 2000 -NOTE! ONLY FOR NEW TERMINAL BOX			
	2141058834	FOOT CONTROL (230 V) 2000-NOTE! ONLY FOR NEW TERMINAL BOX			
	2141048834	FOOT CONTROL (240 V AUS) 2000- NOTE! ONLY FOR NEW TERMINAL BOX			
	412675901	FOOT CONTROL (230 V UK) 2000- NOTE! ONLY FOR NEW TERMINAL BOX			
35	N/A	WASHER (230 V) - 910			
36	N/A	INSOLATED PAPER (230 V)			
37	N/A	CONTROL ELECTRIC BOARD - 910			
38	2143008285	CONTROL ELECTRIC BOARD CASE - 910			
39	11203	SET SCREW - 910			
40	N/A	SET SCREW - 910			
41	N/A	CONTROL ELECTRIC BOARD BRACKET - 910			
42	N/A	SET SCREW - 910			



2	620098096	NEEDLE 5 X # 80
	620070496	NEEDLE 10 X # 80
3	620070596	NEEDLE 5 X # 90
	620070696	NEEDLE 10 X # 90
4	N/A	TWEEZERS
5	401555501	BRUSH
6	415643401	OILER
7	412381501	DRIVER - L -
8	411668901	HEXAGON DRIVER
9	412397701	NET
10	1350002198	SPOOL ADAPTER
11	N/A	VINYL COVER
12	416014801	2-THREAD OVERLOCK CONVERTOR-NOTE! ONLY FOR OLD VERSION
13	150012483	PLASTIC BAG
14	2141009844	NEEDLE HOLDER
15	2141001350	ACCESSORY BOX
16	N/A	MULTIPURPOSE FOOT

ACCESSORIES

17	N/A	PEARL FOOT
18	2141002502	GATHERING FOOT
19	N/A	ELASTIC FOOT
20	2141002408	PIPING FOOT - LARGE
21	2141012408	PIPING FOOT - SMALL
22	412570101	LIGHT BULB CHANGE INSTRUMENT
	N/A	WASTE TRAY
	412857501	INSTRUCTION BOOK - SWE
	412857506	INSTRUCTION BOOK - DAN
	412857511	INSTRUCTION BOOK - FIN
	N/A	INSTRUCTION BOOK - NOR
	N/A	INSTRUCTION BOOK - ENG
	412857531	INSTRUCTION BOOK - FRA
	412857536	INSTRUCTION BOOK - DUTCH
	412857541	INSTRUCTION BOOK - ITA
	412857546	INSTRUCTION BOOK - SPA
	412857551	INSTRUCTION BOOK - GER
	N/A	INSTRUCTION BOOK - RUSSIAN