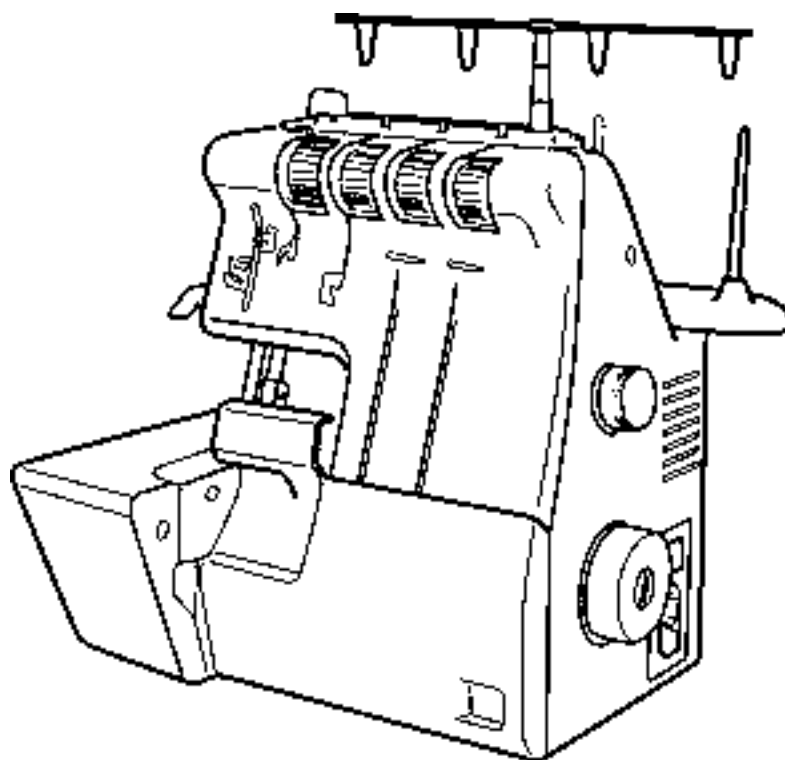


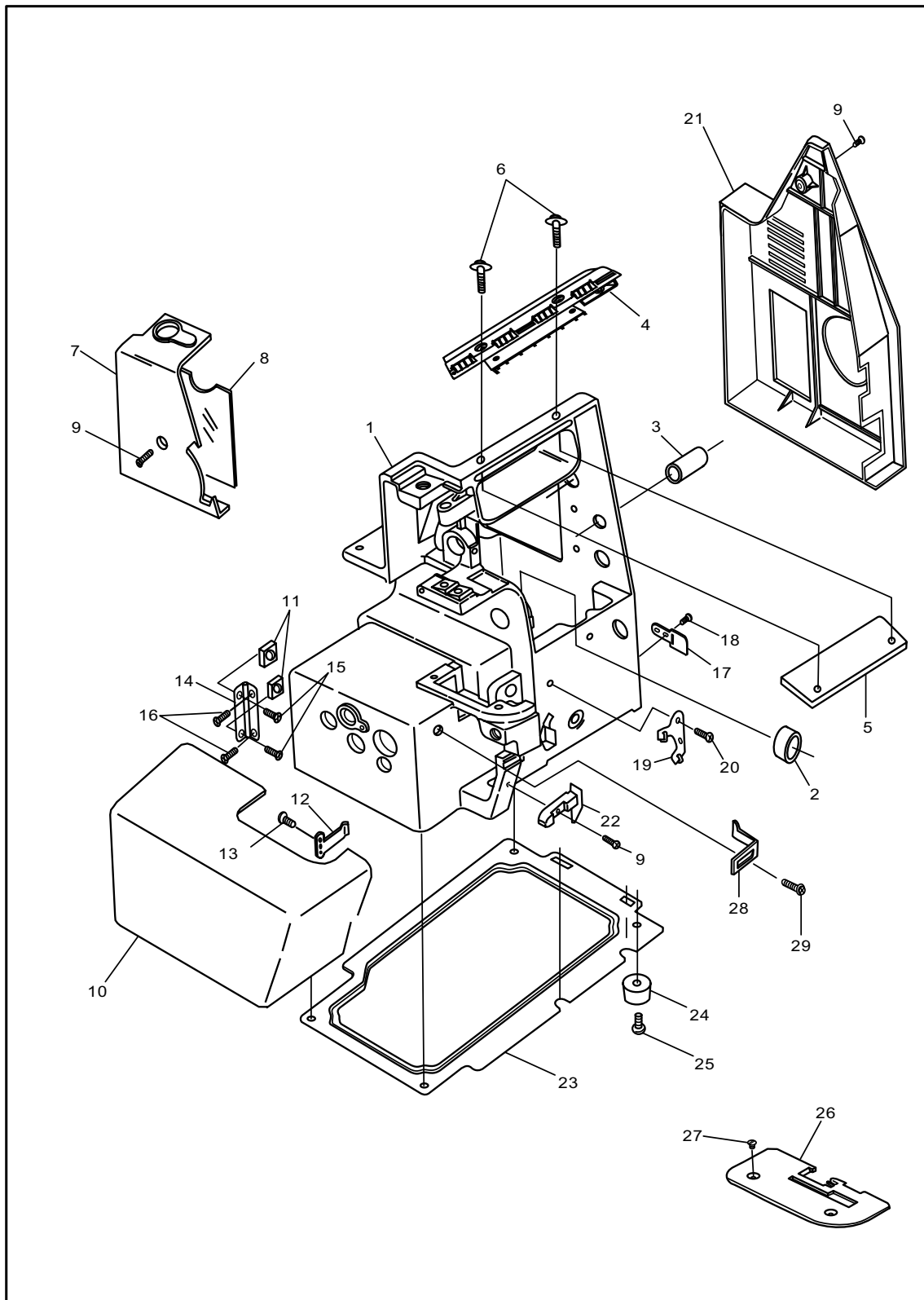
# PARTS LIST



## HUSKYLOCK 901

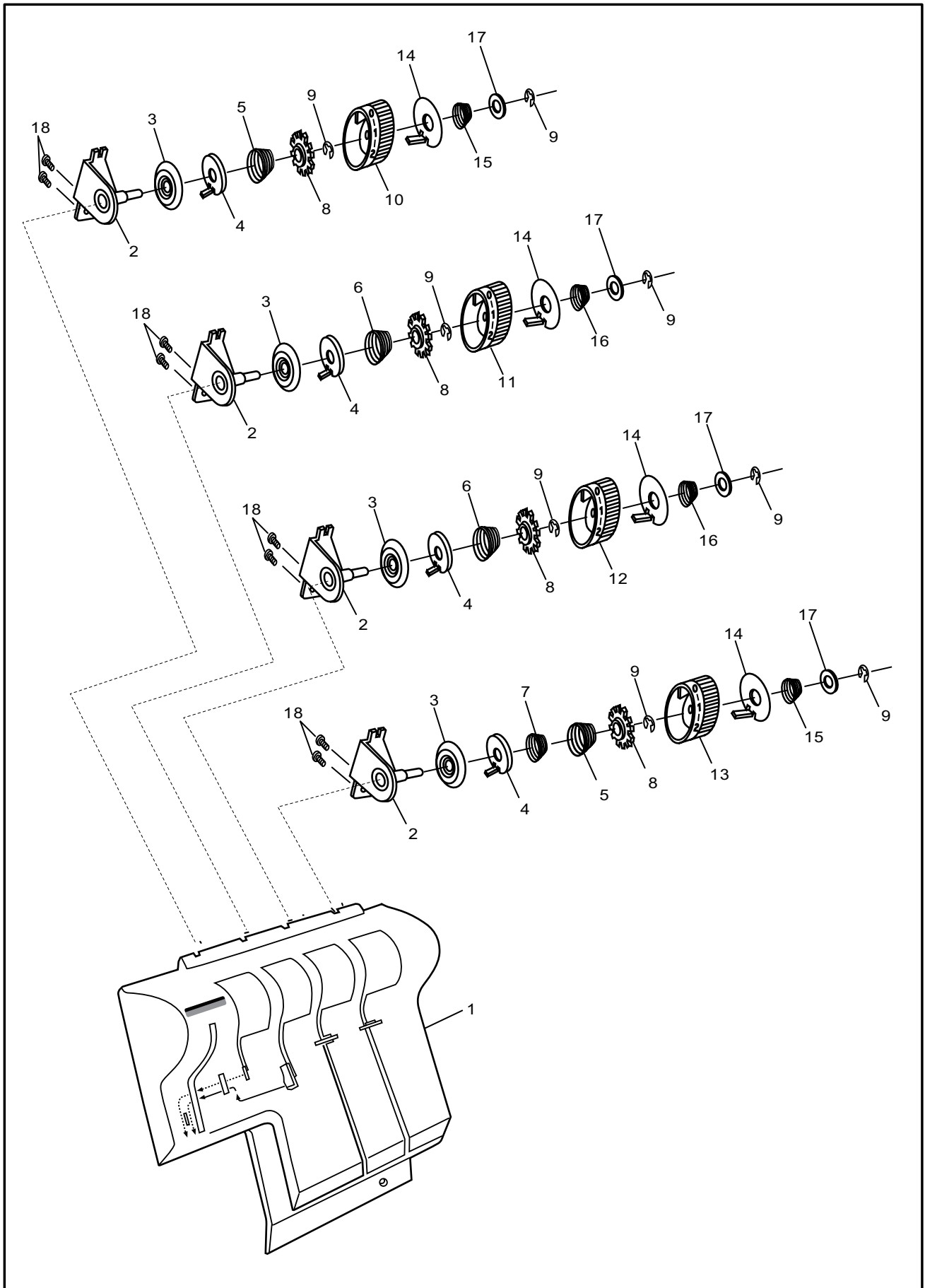
# A

## Machine body components



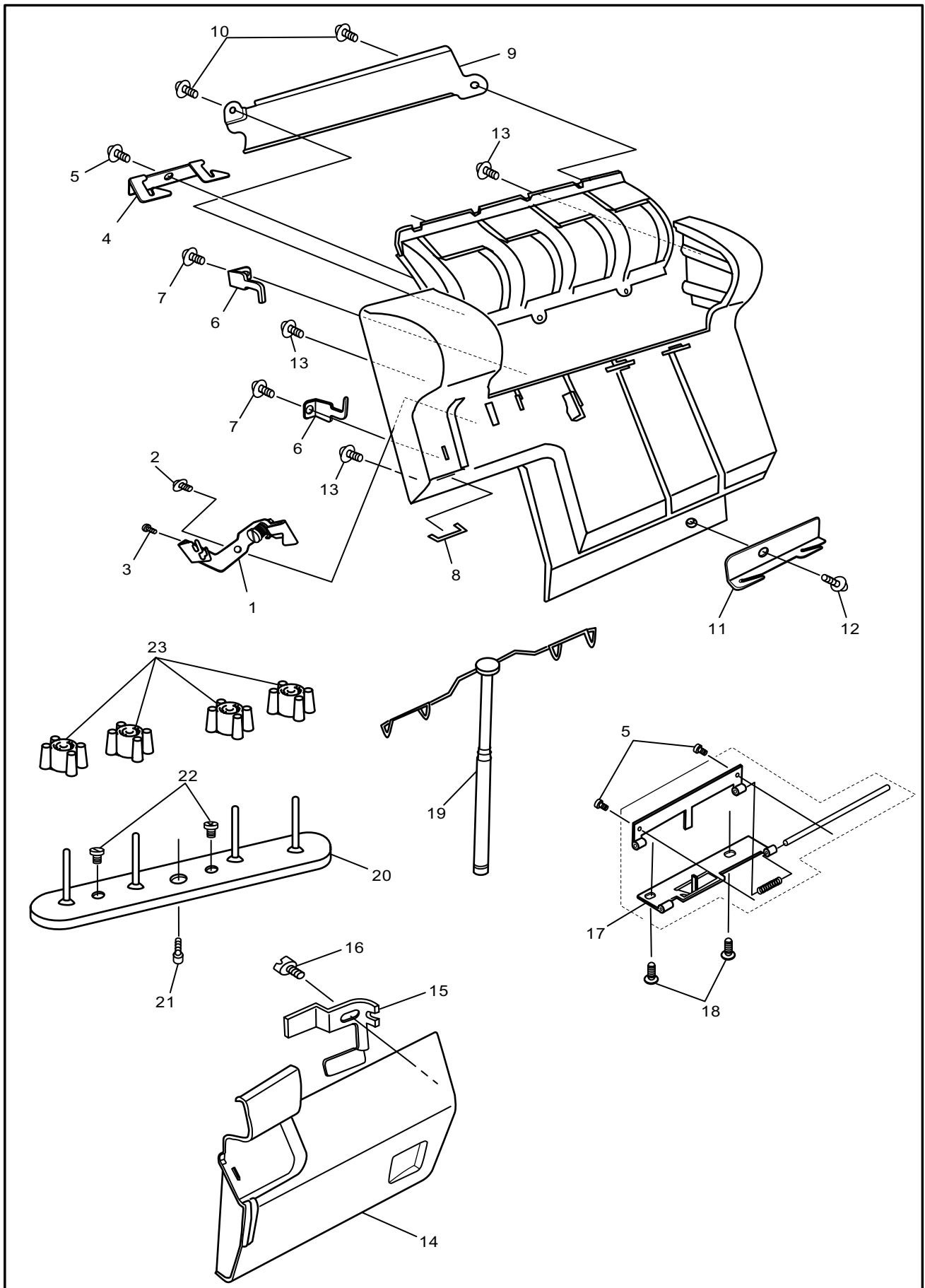
POS	PART NUMBER	DESCRIPTION
1	-	-
2	-	-
3	-	-
4	416010101	HANDLE
5	416010201	FRONT PANEL PLATE
6	N/S	ADJUSTABLE SCREW
7	416006701	FACE COVER
8	N/S	FACE COVER SEAT
9	416001101	SET SCREW
10	416009901	BED COVER
11	416015701	NUT
12	416008701	STOPPER SPRING
13	416005901	SET SCREW
14	416006901	HINGE ASS'Y
15	416005401	SET SCREW
16	N/S	SET SCREW
17	N/S	COVER HOOK-A
18	415510701	SET SCREW
19	416014901	THREAD GUIDE-E
	416107401	THREAD GUIDE-E
20	N/S	SET SCREW
21	416107501	MOTOR COVER
23	416006501	BED STOPPER
25	N/S	BASE
26	416006101	CUSHION RUBBER
27	416002101	SET SCREW
28	N/S	NEEDLE PLATE ASS'Y
29	416000501	SET SCREW
30	415501801	CONTROL FOR FEED BAR
31	415501401	SCREW

# B Tension dial



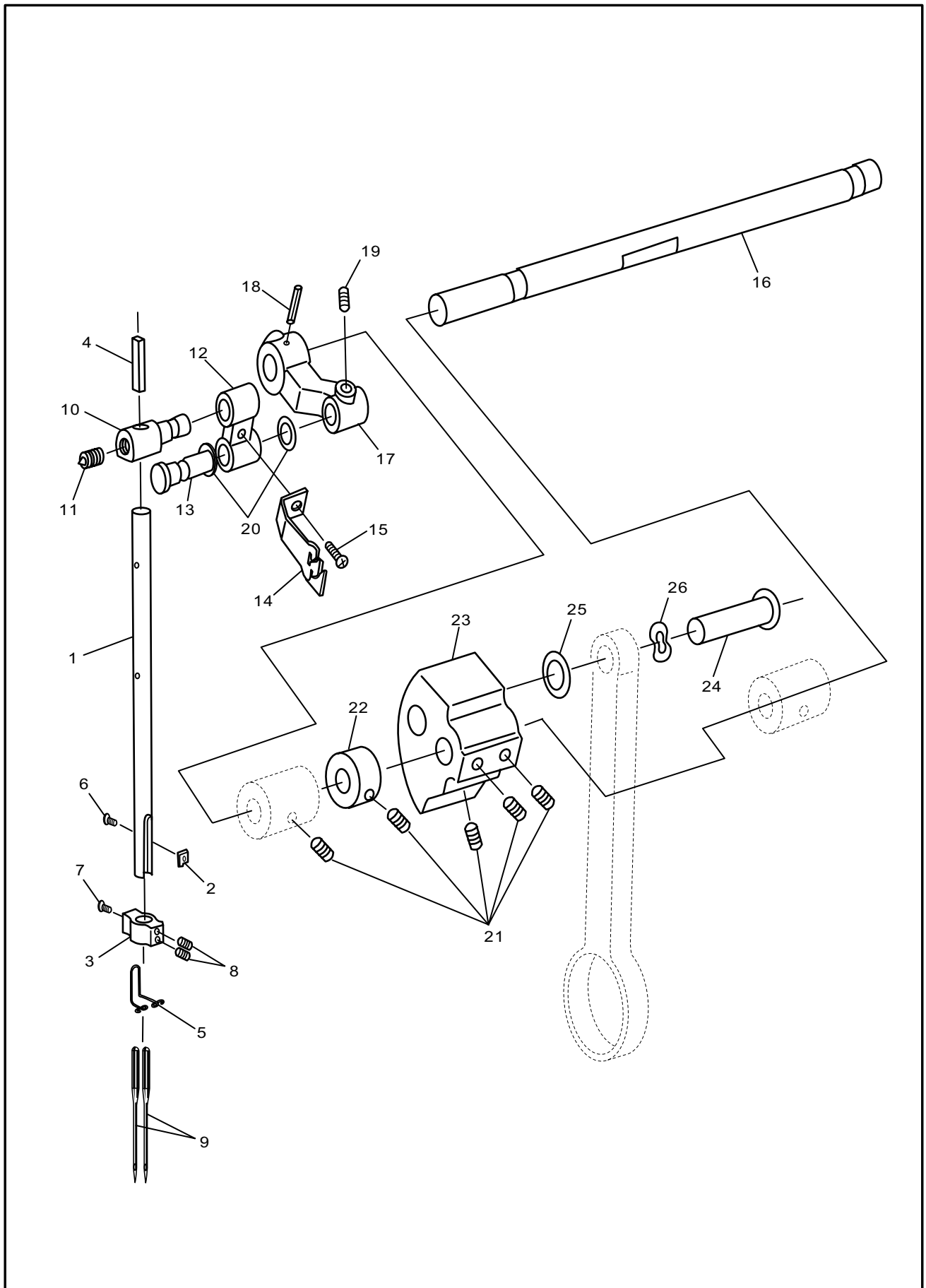
<b>POS</b>	<b>PART NUMBER</b>	<b>DESCRIPTION</b>
1	416011401	FRONT PANEL
2	416013301	TENSION BRACRET
3	416014101	TENSION DISC
4	415506901	TENSION DISK BRACKET
5	415507001	TENSION SPRING -A-
6	416011301	TENSION SPRING -B-
7	415507101	TENSION SPRING -C-
8	415507201	TENSION NUT
9	416003201	E-RING
10	416011501	TENSION DIAL
11	416011601	TENSION DIAL
12	416011701	TENSION DIAL
13	416011801	TENSION DIAL
14	415509801	TENSION DISK REGULATOR PLATE
15	416015001	TENSION PLATE
16	415507901	TENSION PLATE
17	416004301	WASHER
18	416001701	SET SCREW

# C Front panel



<b>POS</b>	<b>PART NUMBER</b>	<b>DESCRIPTION</b>
1	416010301	THREAD GUIDE -D-
2	N/S	SET SCREW
3	N/S	SET SCREW
4	N/S	THREAD GUIDE -A-
5	416001701	SET SCREW
6	N/S	TAKE-UP LEVER THREAD GUIDE
7	N/S	SET SCREW
8	N/S	THREAD GUIDE -NO.2
9	N/S	BACK PANEL OF FRONT PANEL
10	N/S	SET SCREW
11	416001101	SET SCREW
12	N/S	THREAD GUIDE -B-
13	N/S	SET SCREW
14	416013401	FRONT COVER
15	416008601	COVER HOOK-B
16	N/S	SET SCREW
17	416006301	FRONT COVER HINGE
18	N/S	SET SCREW
19	416009101	TELESCOPIC THREAD STAND
20	416014201	SPOOL PIN STAND
21	416002301	SET SCREW
22	415500701	SET SCREW
23	415501001	THREAD HOLDER

# D Upper shaft & Needle bar

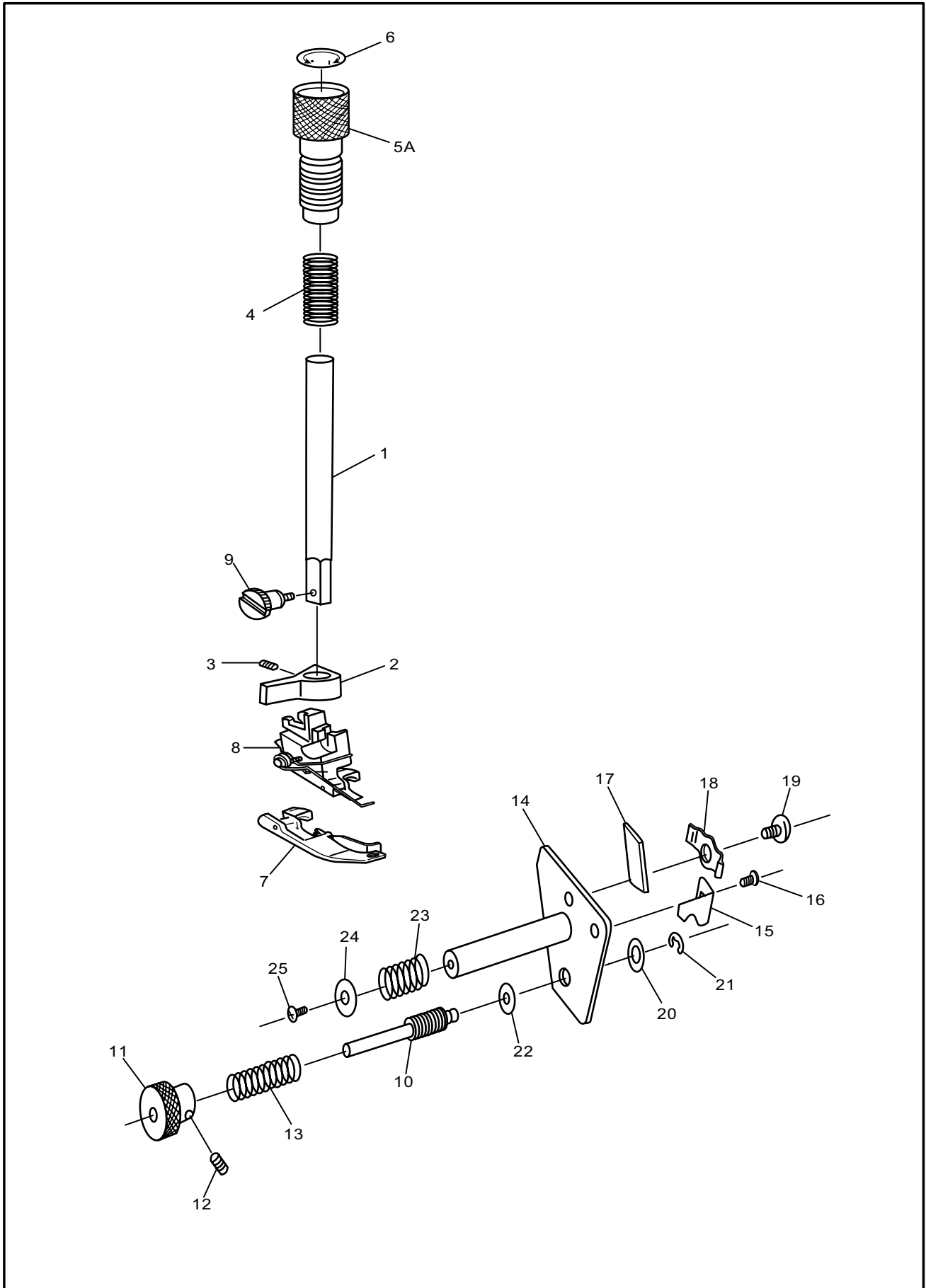




<b>POS</b>	<b>PART NUMBER</b>	<b>DESCRIPTION</b>
1	415528001	NEEDLE BAR
2	415528601	NEEDLE STOPPER
3	415528801	NEEDLE CLAMP
4	N/S	FELT
5	415529001	NEEDLE BAT THREAD GUIDE
6	416001001	SET SCREW
7	416000601	SET SCREW
8	416000401	SET SCREW
9	620070396	UNIVERSAL NEEDLE 80 5-P
10	415528301	NEEDLE BAR HOLDER
11	N/S	SET SCREW
12	N/S	NEEDLE BAR DRIVE LINK
13	415528201	NEEDLE BAR DRIVE ARM PIN
14	416010901	TAKE-UP LEVER
15	416000701	SET SCREW
16	N/S	UPPER SHAFT
17	415529501	NEEDLE DRIVE ARM
18	N/S	SPRING PIN
19	N/S	SET SCREW
20	N/S	WASHER
21	416000101	SET SCREW
22	415518801	COLLAR
23	N/S	BALANCE
24	N/S	UPPER SHAFT DRIVE LINK PIN
25	N/S	WASHER
26	N/S	WAVE WASHER

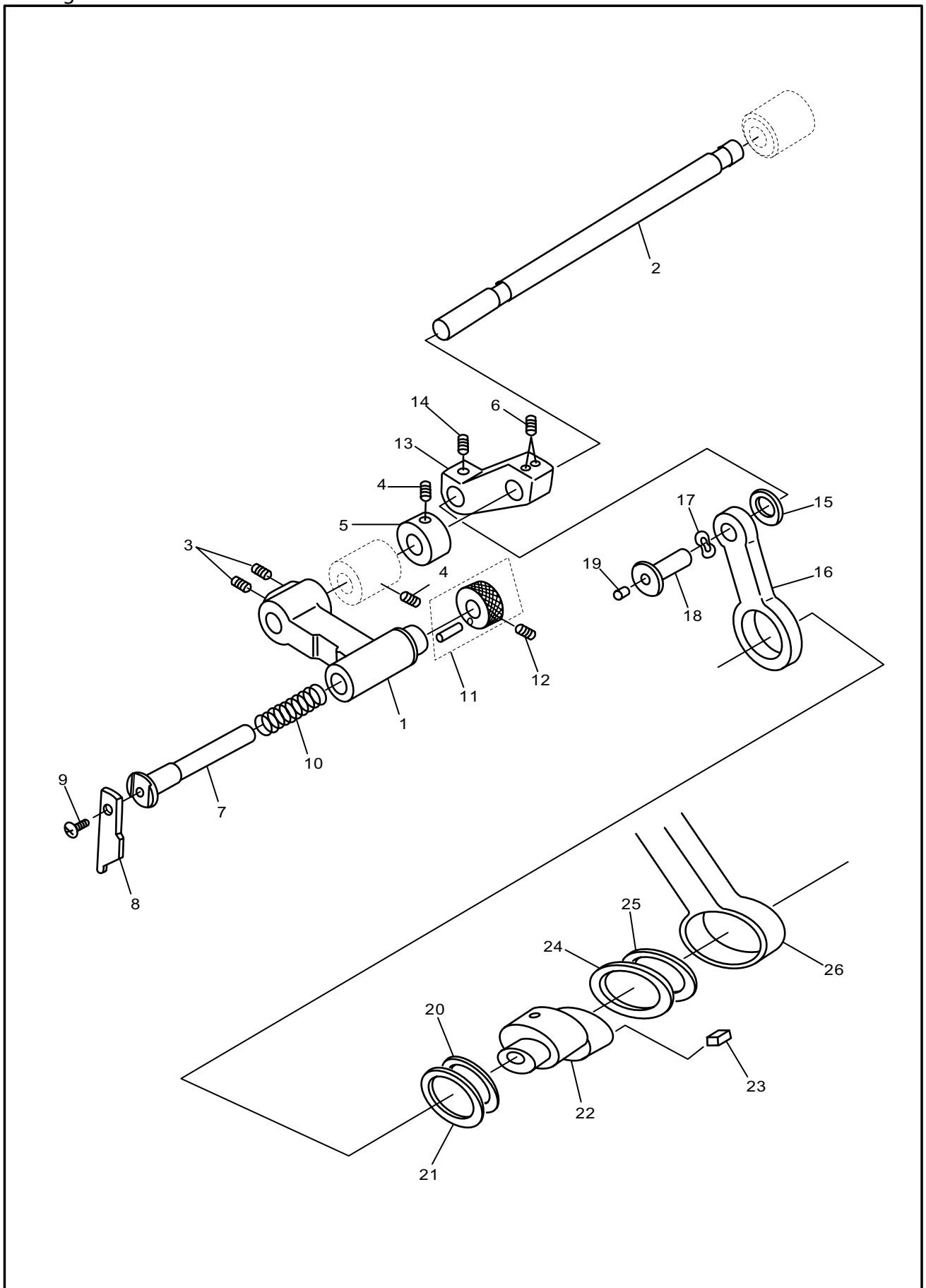
# E

## Presser bar & Cutting width



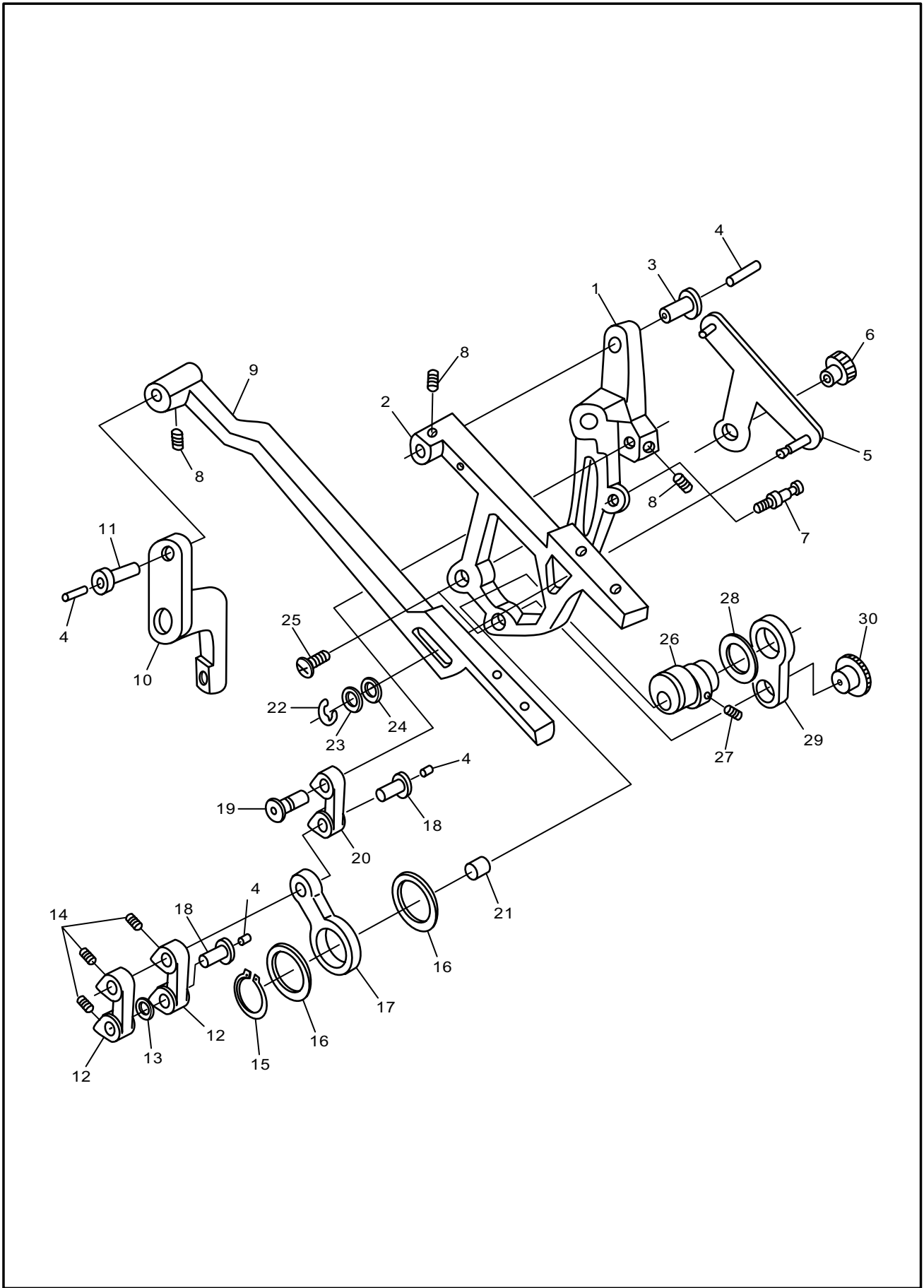
<b>POS</b>	<b>PART NUMBER</b>	<b>DESCRIPTION</b>
1	N/S	PRESSER BAR
2	415517501	PRESSER BAR BRACKET
3	416000101	SET SCREW
4	N/S	PRESSER SPRING
5A	N/S	PRESSER REGULATOR
6	N/S	PRESSER REGULATOR SCREW PANEL
7	416011001	SEWING FOOT
8	416014601	SEWING FOOT HOLDER
9	416002501	SET SCREW
10	416008401	ADJUSTING SCREW
11	416008301	LOWER CUTTER ADJUSTING DIAL
12	415511601	SET SCREW
13	416008201	LOWER CUTTER SPRING
14	416009401	BOTTOM MESSER STAND SET
15	N/S	CUT GUIDE
16	415516101	SET SCREW
17	1250004237	LOWER KNIFE
18	416108601	MESSER STAND
19	415518701	SET SCREW
20	416004401	WASHER
21	416003301	E-RING
22	N/S	WASHER
23	N/S	LOWER CUTTER STAND SPRING
24	N/S	WASHER
25	416001301	SET SCREW

# F Cutting width



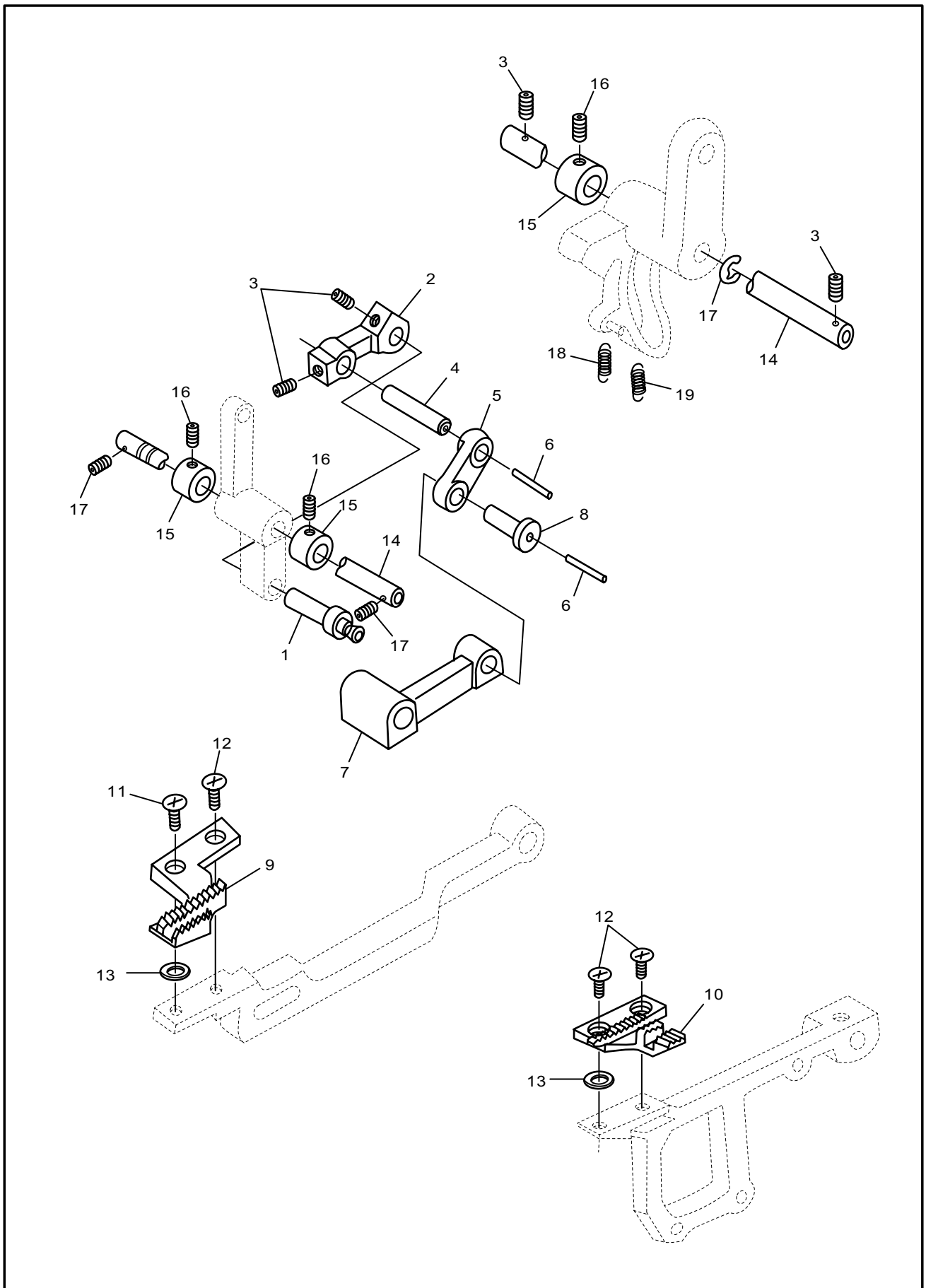
<b>POS</b>	<b>PART NUMBER</b>	<b>DESCRIPTION</b>
1	N/S	UPPER CUTTER LEVER
2	415518901	CUTTER DRIVE SHAFT
3	415523701	SET SCREW
4	416000101	SET SCREW
5	415518801	COLLAR
6	N/S	SET SCREW
7	415518301	CUTTER STAND SHAFT
8	415518601	UPPER CUTTER
9	415518701	SET SCREW
10	415518401	CUTTER PRESSURE SPRING
11	415518501	CUTTER ROTATING DIAL
12	415511601	SET SCREW
13	N/S	CUTTER DRIVE SHAFT
14	N/S	SCREW
15	N/S	WASHER
16	N/S	CUTTER LINK
17	N/S	WAVE WASHER
18	N/S	DRIVER LINK PIN
19	N/S	FELT
20	N/S	WASHER
21	N/S	WASHER
22	N/S	MESSER DRIVE CAM
23	N/S	FELT
24	N/S	WASHER
25	N/S	WASHER
26	415527201	UPPER SHAFT DRIVE LINK

# G Differential feed & Feed dog



POS	PART NUMBER	DESCRIPTION
1	415511501	FEED LEVER (1)
2	N/S	FEED PLATE (1)
3	N/S	FEED LEVER PIN
4	N/S	FELT
5	N/S	FEED DOG ADJUSTING PLATE ASS'Y
6	N/S	ADJUST CAM B
7	N/S	FEED LEVER (1) SHAFT
8	415511601	SET SCREW
9	N/S	FEED PLATE (2)
10	N/S	FEED LEVER (2)
11	N/S	FEED LEVER PIN
12	N/S	FEED ADJUSTING LEVER
13	N/S	WASHER
14	416000101	SET SCREW
15	N/S	C-RING
16	N/S	WASHER
17	N/S	FEED ROCK LINK
18	415532001	FEED ROCK PIN
19	415518701	SET SCREW
20	N/S	FEED REGULATOR LINK
21	N/S	FELT
22	N/S	E-RING
23	N/S	WASHER
24	N/S	WASHER
25	N/S	SET SCREW
26	N/S	FEED CAM
27	415513201	SET SCREW
28	N/S	WASHER
29	N/S	FEED LIFTING LINK
30	N/S	ADJUST CAM

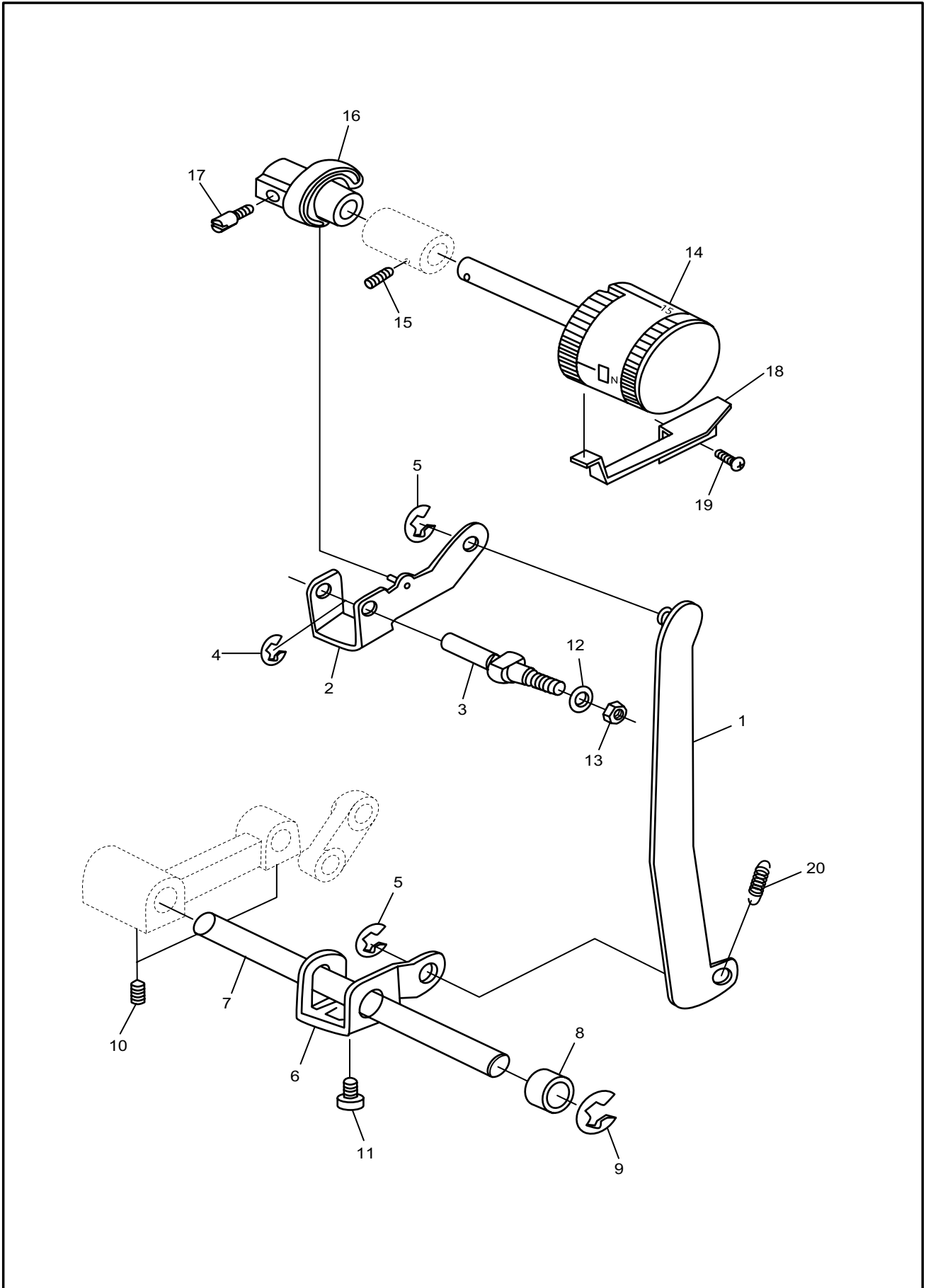
# H Differential feed & Feed dog





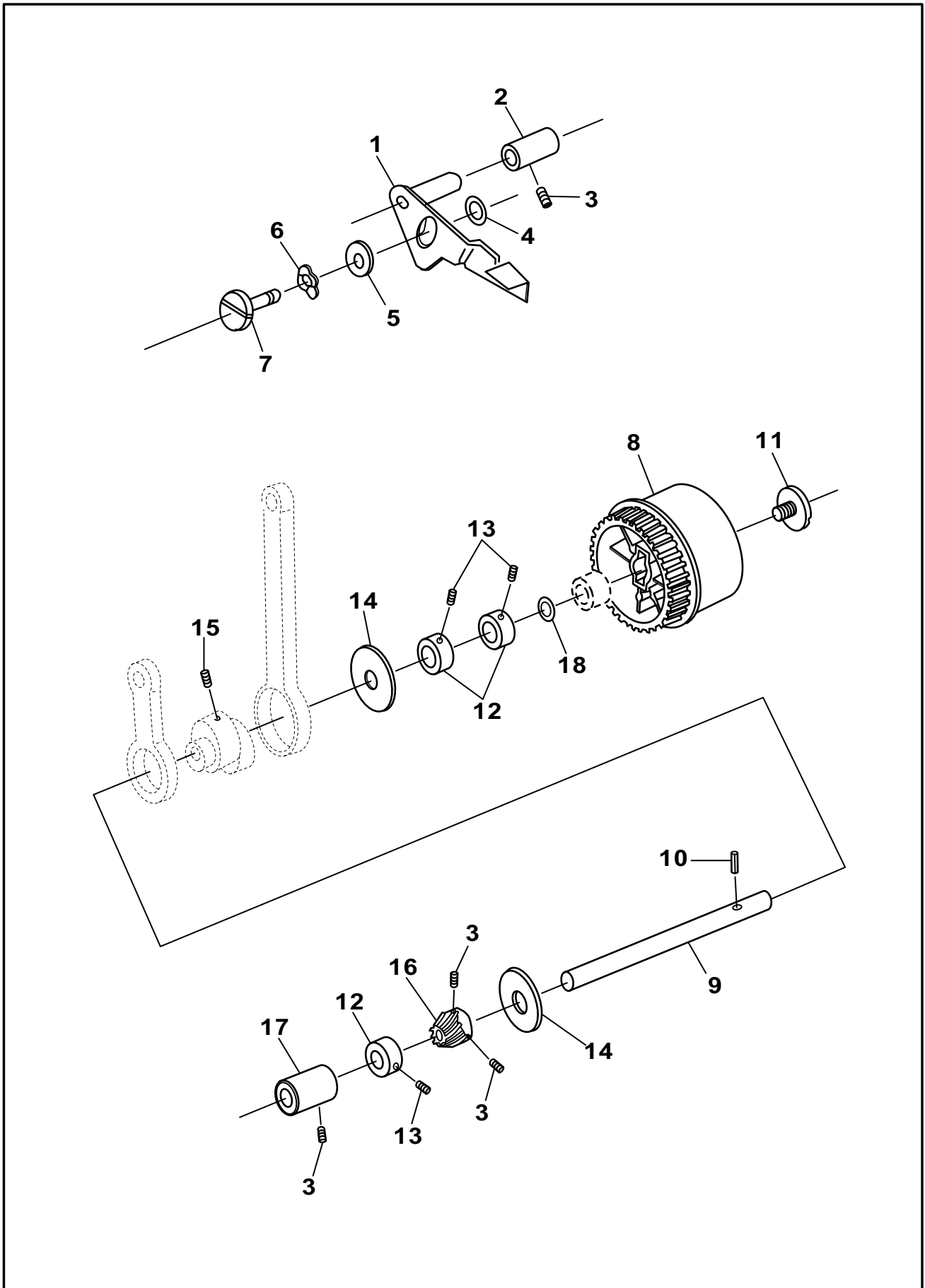
<b>POS</b>	<b>PART NUMBER</b>	<b>DESCRIPTION</b>
1	N/S	FEED BAR ARM (2) PIN
2	N/S	DIFFERENTIAL LINK (1)
3	416000101	SET SCREW
4	N/S	DIFFERENTIAL LINK (2) PIN
5	N/S	DIFFERENTIAL LINK (2)
6	N/S	FELT
7	N/S	DIFFERENTIAL LINK (3)
8	415518701	SET SCREW
9	415516001	FEED DOG (2)
10	415516501	FEED DOG (1)
11	415516101	SET SCREW
12	416001201	SET SCREW
13	N/S	WASHER
14	N/S	FEED BAR ARM SHAFT
15	N/S	FEED BAR COLLAR
16	415511601	SET SCREW
17	N/S	E-RING
18	N/S	FEED BAR ARM SPRING (2)
19	N/S	FEED BAR ARM SPRING (1)

# Differential feed & Feed dog



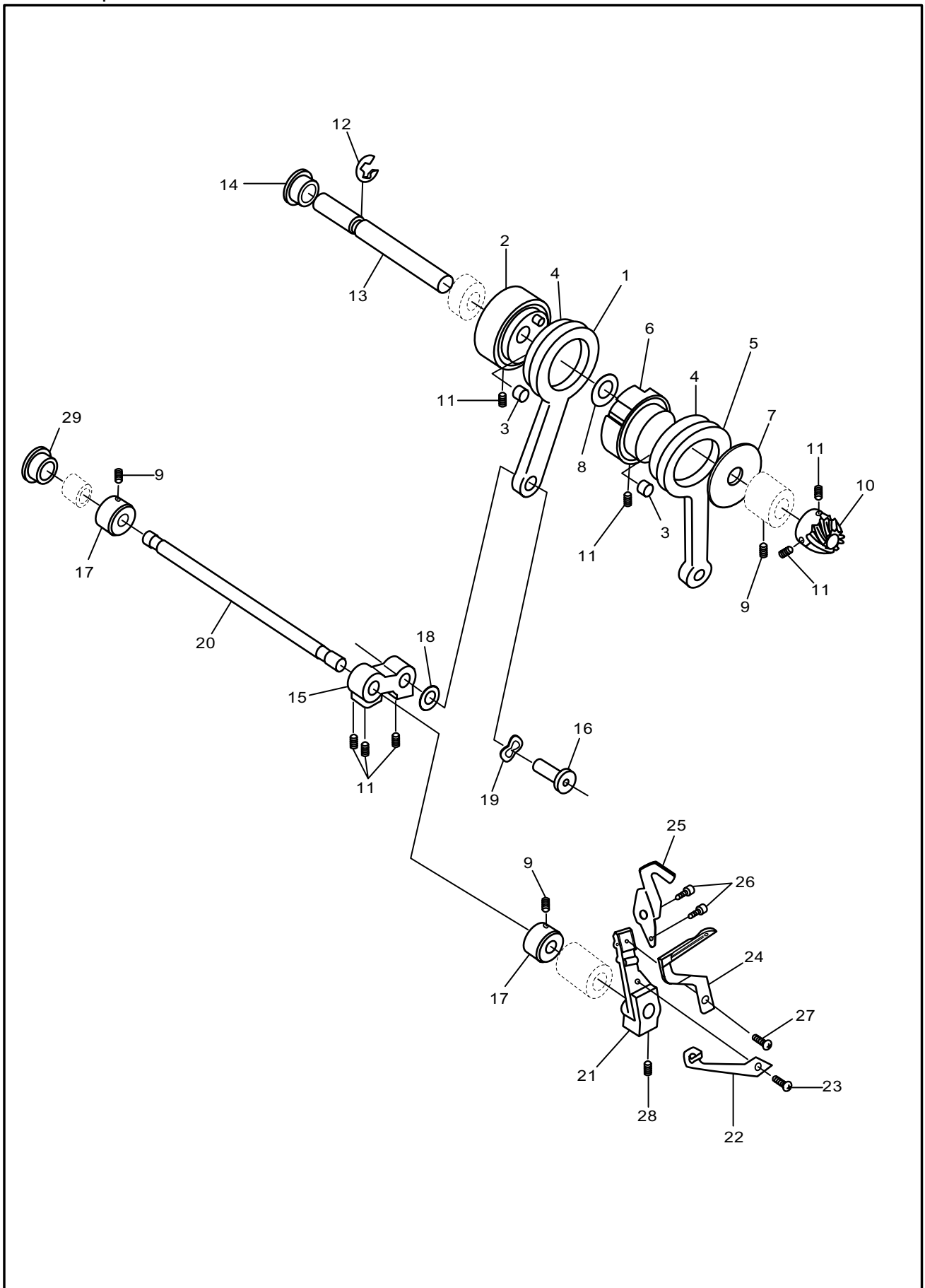
<b>POS</b>	<b>PART NUMBER</b>	<b>DESCRIPTION</b>
1	N/S	DIFFERENTIAL LINK (6) ASS'Y
2	N/S	DIFFERENTIAL LINK (5) ASS'Y
3	N/S	DIFFERENTIAL FEED LINK (5) SHAFT
4	416003201	E-RING
5	N/S	E-RING
6	N/S	DIFFERENTIAL FEED LINK (4)
7	N/S	DIFFERENTIAL FEED SHAFT
8	N/S	DIFFERENTIAL FEED LINK (4) COLLAR
9	N/S	E-RING
10	415513201	SET SCREW
11	N/S	SET SCREW
12	N/S	WASHER
13	N/S	NUT
14	416013101	DIFFERENTIAL DIAL
15	416000101	SET SCREW
16	415509901	DIFFERENTIAL FEED CAM
17	N/S	SET SCREW
18	416012801	DIFFERENTIAL DIAL SPRING
19	415510701	SET SCREW
20	N/S	DIFFERENTIAL LINK (4) SPRING

# J Lower shaft



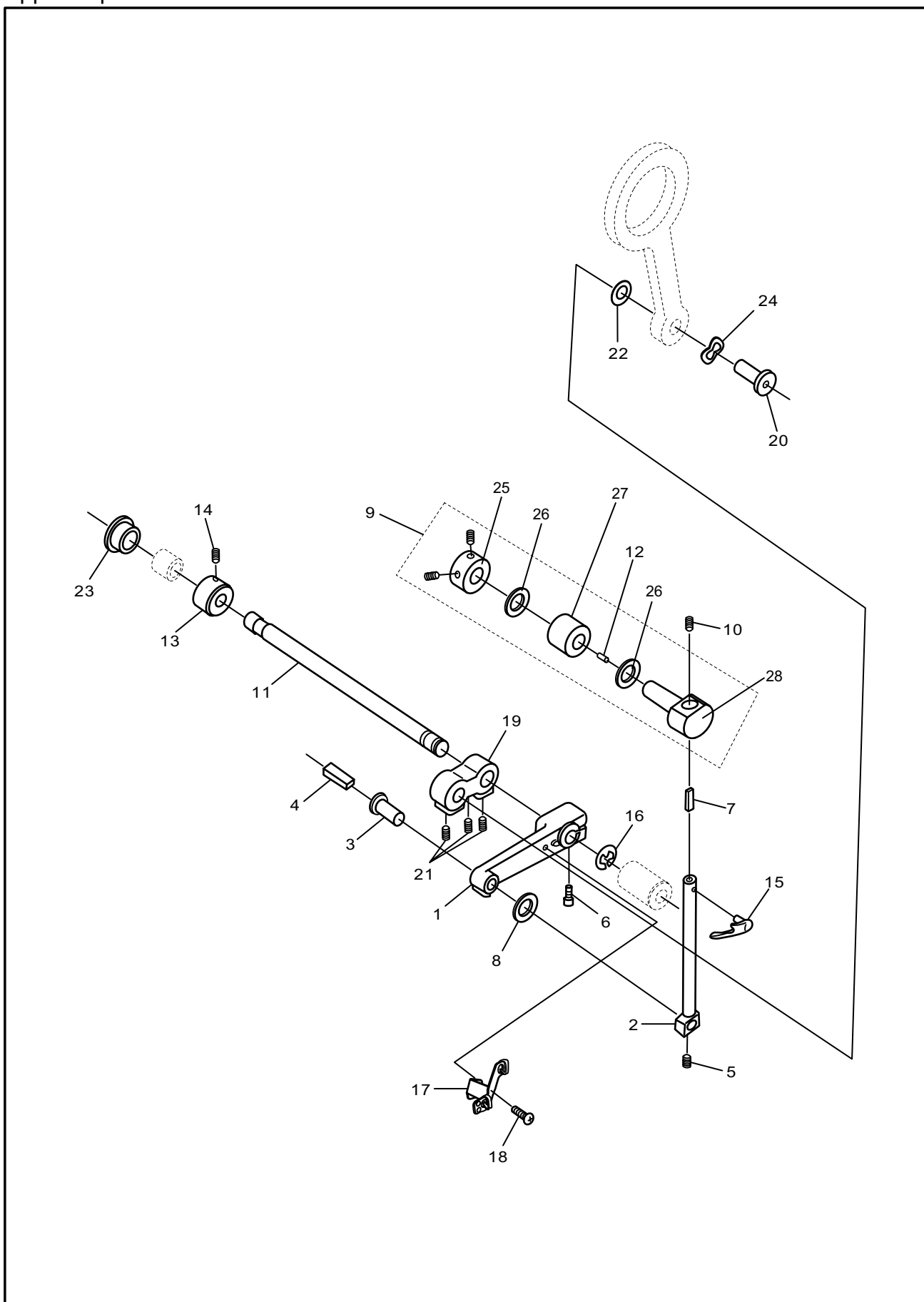
<b>POS</b>	<b>PART NUMBER</b>	<b>DESCRIPTION</b>
1	N/S	FEED REGULATOR LEVER ASS'Y
2	N/S	BUSHING
3	416000101	SET SCREW
4	N/S	WASHER
5	N/S	WASHER
6	N/S	WAVE WASHER
7	N/S	FEED LEVER STUD
8	416009201	HANDWHEEL
9	415517801	LOWER SHAFT
10	N/S	SPRING PIN
11	416006001	SET SCREW FOR HANDWHEEL
12	415518801	COLLAR
13	N/S	SET SCREW
14	N/S	WASHER
15	415513201	SET SCREW
16	415522201	LOWER SHAFT GEAR
17	N/S	LOWER SHAFT BUSHING-F
18	N/S	WASHER

# K Lower looper



POS	PART NUMBER	DESCRIPTION
1	N/S	DRIVE LINK
2	N/S	LOWER LOOPER DRIVE CAM
3	N/S	FELT
4	N/S	WASHER
5	N/S	DRIVE LINK
6	N/S	UPPER LOOPER DRIVE CAM
7	N/S	WASHER
8	N/S	WASHER
9	416000101	SET SCREW
10	415526201	DRIVE SHAFT GEAR
11	415513201	SET SCREW
12	N/S	E-RING
13	N/S	DRIVE SHAFT
14	N/S	DRIVE SHAFT CAP
15	N/S	DRIVE LINK LEVER
16	N/S	DRIVE LINK PIN
17	N/S	COLLAR
18	N/S	WASHER
19	N/S	WAVE WASHER
20	N/S	LOWER LOOPER DRIVE SHAFT
21	415523601	LOWER LOOPER STAND
22	416009001	LOWER LOOPER THREAD GUIDE
23	416001201	SET SCREW
24	415523801	LOWER LOOPER
25	415523901	NEEDLE GUIDE
26	415524001	HEXAGON SCREW
27	416001301	SET SCREW
28	415523701	HEXAGON SCREW
29	N/S	LOWER SHAFT CAP

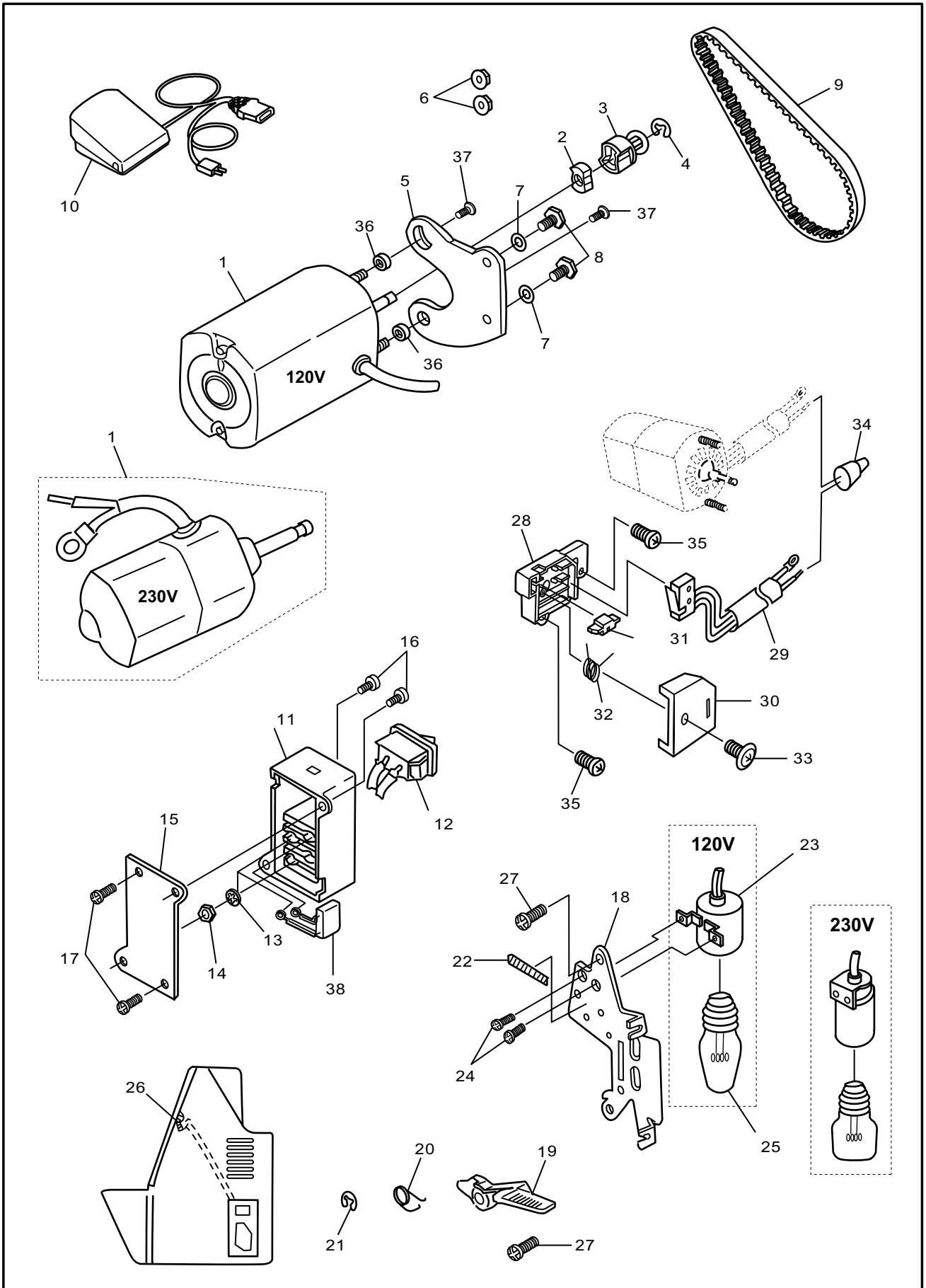
L Upper looper





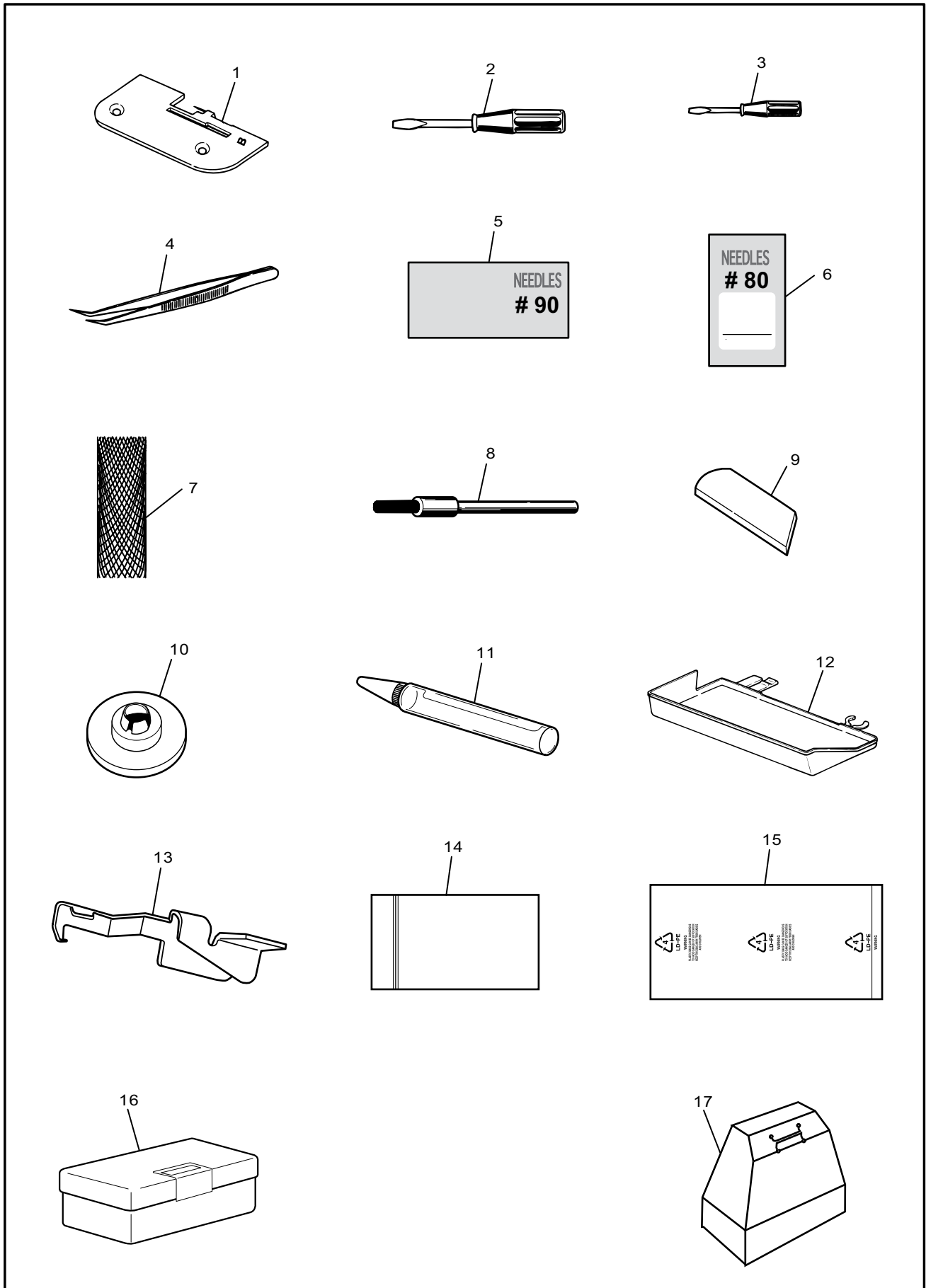
<b>POS</b>	<b>PART NUMBER</b>	<b>DESCRIPTION</b>
1	415520801	LOOPER DRIVE LEVER
2	416014501	UPPER LOOPER STAND SHAFT
3	N/S	UPPER LOOPER SHAFT PIN
4	N/S	FELT
5	416108801	SET SCREW
6	N/S	SET SCREW
7	N/S	FELT
8	416016101	WASHER
9	416108901	UPPER LOOPER FULCRUM
10	415511601	SET SCREW
11	N/S	UPPER LOOPER DRIVER SHAFT
12	N/S	FELT
13	N/S	COLLAR
14	416000101	SET SCREW
15	416014701	UPPER LOOPER
16	416012401	E-RING
17	N/S	LOOPER TAKE-UP LEVER
18	415510701	SET SCREW
19	N/S	DRIVE LINK LEVER
20	N/S	DRIVE LINK PIN
21	415513201	SET SCREW
22	N/S	WASHER
23	N/S	LOOPER SHAFT CAP
24	N/S	WAVE WASHER
25	N/S	COLLAR
26	N/S	WASHER
27	415523501	UPPER LOOPER FULCRUM
28	416008901	UPPER LOOPER FULCRUM

# M Motor & Foot control



POS	PART NUMBER	DESCRIPTION
1	416109201	MOTOR ASS'Y (USA)
	416109301	MOTOR ASS'Y (EU / AUST)
2	415535201	CUSHION RUBBER
3	416014401	MOTOR PULLEY
4	416003201	E-RING
5	N/S	MOTOR BRACKET
6	N/S	NUT (FOR USA MOTOR ASS'Y)
7	N/S	WASHER
8	415535801	SET SCREW
9	1250008843	TIMING BELT
10	N/S	FOOT CONTROLLER (USA)
	416013801	FOOT CONTROLLER (EU)
	N/S	FOOT CONTROLLER (AUST)
	412801801	FOOT CONTROLLER (ENG)
11	416005801	RECEPTACLE
12	N/S	SWITCH (USA)
	416009501	SWITCH (EU / AUST)
13	416005101	WASHER (FOR USA MOTOR ASS'Y)
	416005101	WASHER (FOR EU / AUST MOTOR ASS'Y)
14	416003001	NUT (FOR USA MOTOR ASS'Y)
	416003001	NUT (FOR EU / AUST MOTOR ASS'Y)
15	415536001	RECEPTABLE COVER
16	N/S	SET SCREW
17	N/S	SET SCREW
18	N/S	PRESSER BAR LIFTER STAND ASS'Y
19	416007201	PRESSER BAR LIFT
20	416007101	PRESSER BAR LIFTER SPRING
21	416012401	E-RING
22	N/S	LIGHT BULB PLATE (USA)
	N/S	LIGHT BULB PLATE (EU / AUST)
23	N/S	LAMPHOLDER ASS'Y (USA)
	N/S	LAMPHOLDER ASS'Y (EU / AUST)
24	N/S	SET SCREW
25	N/S	LIGHT BULB (110V / 15W) : USA
	416300001	BULB 230/240V
26	N/S	FASTENTER
27	N/S	SET SCREW
28	416011201	LOWER SWITCH COVER
29	416011101	FRONT COVER SWITCH ASS'Y
30	416015101	SWITCH COVER
31	416015301	SWITCH BOTTON
32	416015201	SWITCH KNOB SPRING
33	416001701	SET SCREW
34	416013901	END POINT
35	416001501	SET SCREW
36	416004501	WASHER (FOR EU / AUST MOTOR ASS'Y)
37	416002001	SET SCREW (FOR EU / AUST MOTOR ASS'Y)
38	416109601	CONDENSER (FOR EU / AUST MOTOR ASS'Y)

# N Accessories



<b>POS</b>	<b>PART NUMBER</b>	<b>DESCRIPTION</b>
1	416008801	NEEDLE PLATE
2	412381501	SCREW DRIVER MEDIUM
3	412289001	SCREW DRIVER SMALL
4	416015401	TWEEZERS
5	620070596	UNIVERSAL NEEDLE 90 5-P
	620070696	UNIVERSAL NEEDLE 90 10-P
6	620070396	UNIVERSAL NEEDLE 80 5-P
	620070496	UNIVERSAL NEEDLE 80 10-P
7	412397701	THREAD NET 15*100
8	401555501	BRUSH
9	1250004237	LOWER KNIFE
10	N/S	SPOOL GUIDE (L)
11	415643401	OILER
12	416006601	WASTE TRAY
13	416014801	TWO THREAD CONVERTER
14	N/S	NEEDLE BAG
15	N/S	PLASTIC BAG
16	415509101	ACCESSORY BOX
17	412397701	DUST COVER

