

**PARTS CATALOGUE FOR**

**HUSKY LOCK**

**MODEL 1003 LCD**



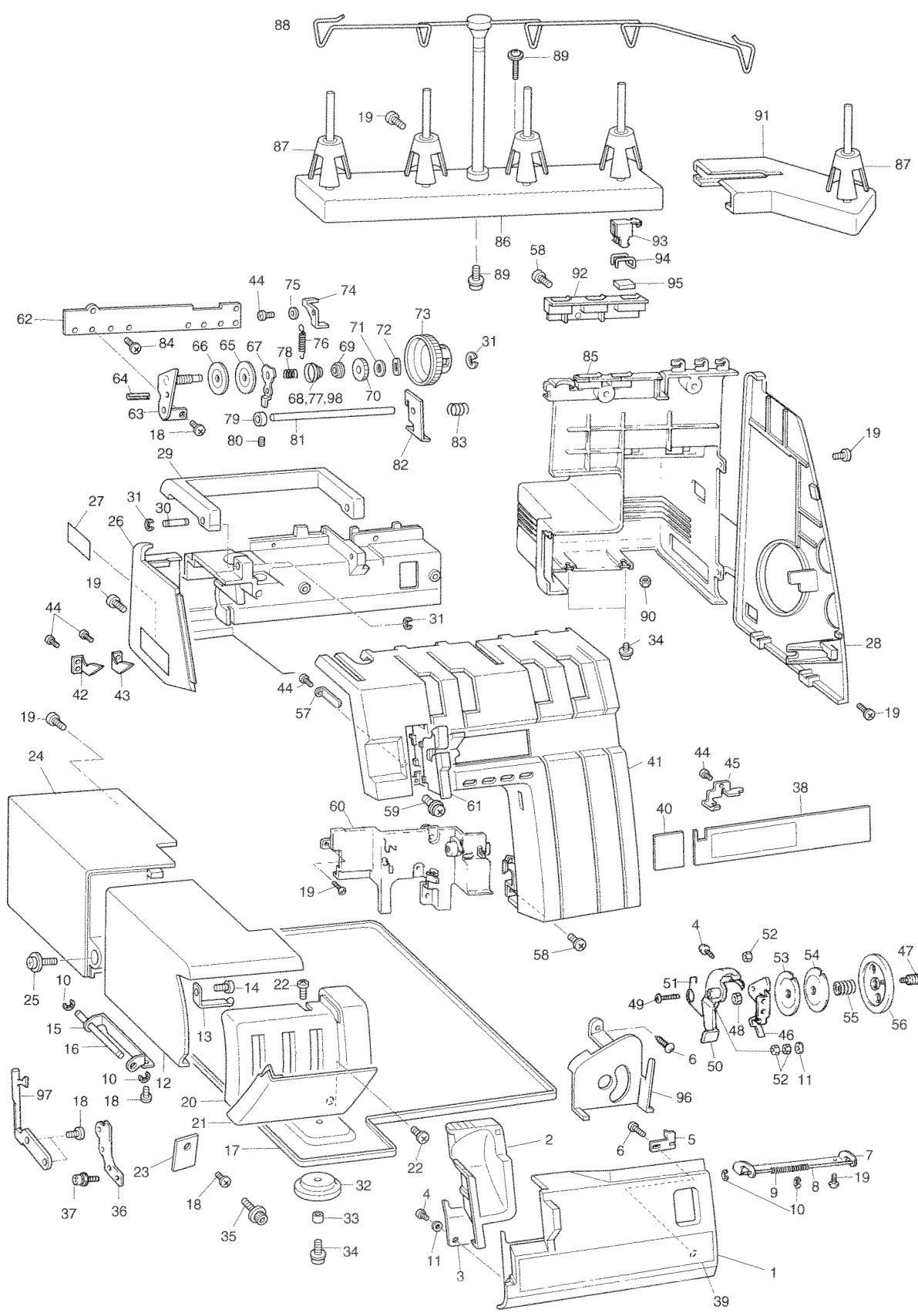
# CONTENTS

(1) PRINCIPAL PARTS.....	2
(2) NEEDLE BAR AND PRESSER HOLDER .....	6
(3) FEED BAR AND KNIFE.....	8
(4) LOOPER AND DOUBLE CHAIN LOOPER .....	10
(5) ELECTRONICS AND ACCESSORY .....	12

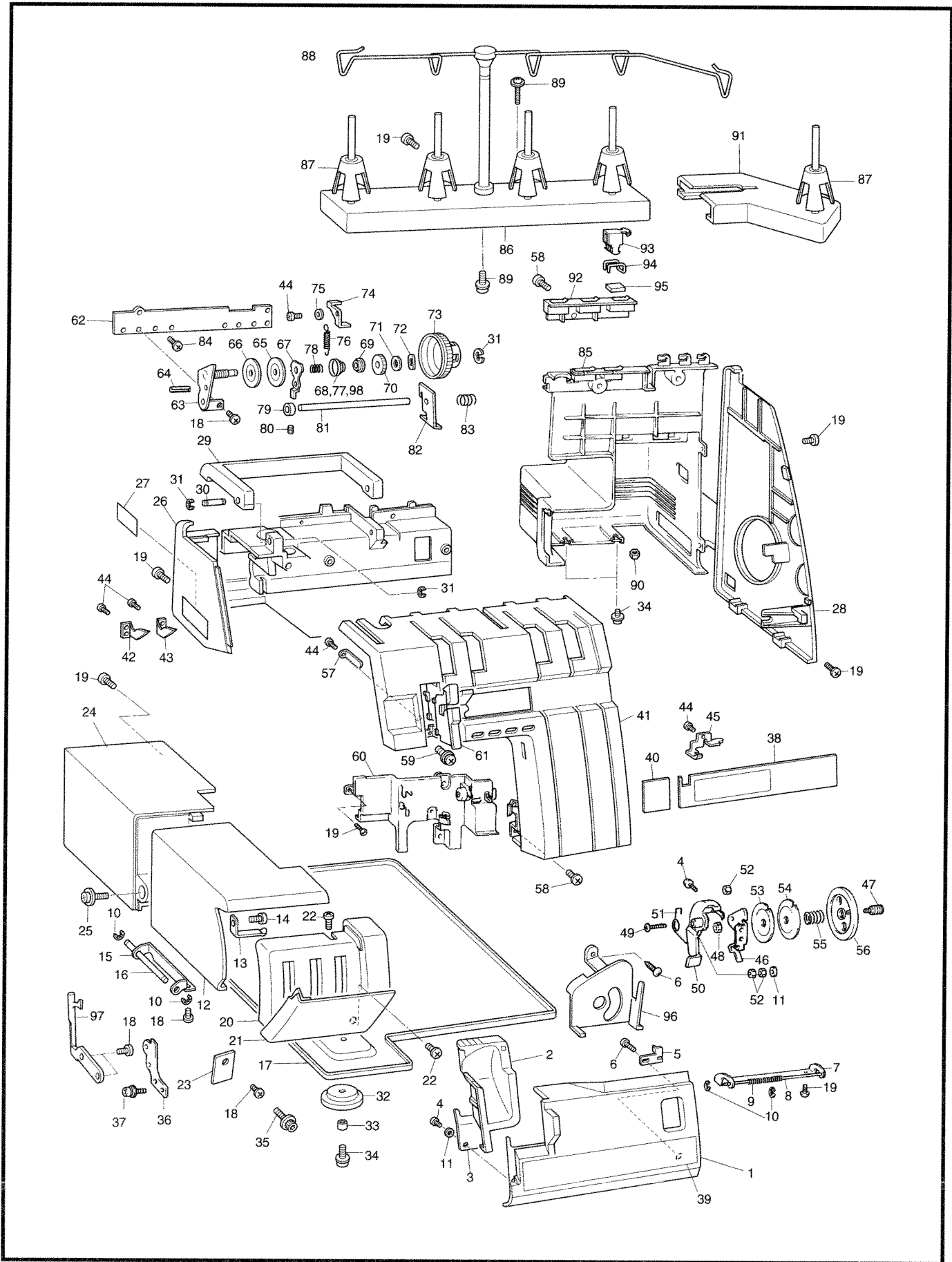
## (1) PRINCIPAL PARTS

No.	PARTS No.	PARTS NAME
1	XB0066001	Front cover
2	X76457101	Blade cover 1
3	X76458001	Blade cover bracket
4	037300612	Set screw
5	X75632001	Front cover hook
6	037300815	Set screw
7	XB0541001	Front cover hinge
8	X75629101	Front cover hinge shaft
9	126519000	Front cover coil spring
10	048020346	Stop ring
11	026030232	Washer
12	X76447001	Material plate front cover
13	X76448001	Material plate cover spring
14	062300412	Set screw
15	X76449001	Material plate cover hinge
16	X76473001	Material plate cover hinge shaft
17	X76445001	Oil pan
18	060300616	Set screw
19	060400606	Set screw
20	XB0102001	Control cover plate
21	X76480000	Control front cover
22	060300806	Set screw
23	X76496001	Control front cover spring
24	X76474001	Material plate cover B
25	X77012001	Set screw
26	X76949002	Lamp cover
27	X75315001	Lamp cover heat plate
28	XB0067001	Belt cover E
29	X76495001	Handle
30	X75133001	Handle shaft
31	048030342	Stop ring
32	X75545000	Cushion A
33	X75546000	Spacer
34	X75720001	Set screw
35	X76677001	Set screw
36	X76420001	Material plate cover bracket
37	X76678001	Set screw
38	XB0529001	LCD sheet
39	XB0275002	Front cover plate
40	X77977002	Panel plate sheet, left
41	XB0515001	Panel assembly
42	X76822001	Needle thread guide, left
43	XB0647001	Needle thread guide, right
44	037200615	Set screw

No.	PARTS No.	PARTS NAME
45	X76845001	Needle thread guide
46	X76839001	DL thread tension base
47	X76840001	DL thread tension shaft
48	021400312	Nut
49	062303012	Set screw
50	X77985001	DL thread release lever
51	XB0445001	DL thread unrelease spring
52	021300106	Nut
53	108263001	Thread tension disc
54	129376001	Thread tension disc
55	XB0032001	Double chain spring
56	X76842001	DL thread tension dial
57	X77949001	Needle thread separator
58	060401206	Set screw
59	062300506	Set screw
60	XB0033001	Inner cover assembly
61	XB0552001	Take-up lever cover
62	X76871001	Thread tension bracket
63	XB0266001	Thread tension base assembly
64	047251042	Spring pin
65	X75121001	Thread tension disc
66	X75981001	Thread tension disc A
67	X76877001	Thread tension releaser
68	X77414001	Thread tension spring (left needle)
69	X75051000	Thread tension spring washer, upper
70	X76878000	Thread tension nut
71	025040232	Washer
72	X76879000	Wave washer
73	X76893001	Thread tension dial (yellow)
	X76893002	Thread tension dial (red)
	X76893003	Thread tension dial (green)
	X76893004	Thread tension dial (blue)
74	X76882001	Dial clutch
75	026020235	Washer
76	X76883001	Clutch spring
77	X76023001	Thread tension spring (OL, Right needle)
78	XB0602001	Thread tension spring SL (UL only)
79	X76230001	Thread tension release block
80	014300332	Set screw
81	X76887001	Thread tension release shaft C
82	X76888001	Thread tension release plate
83	X75993001	Spring
84	062400804	Set screw

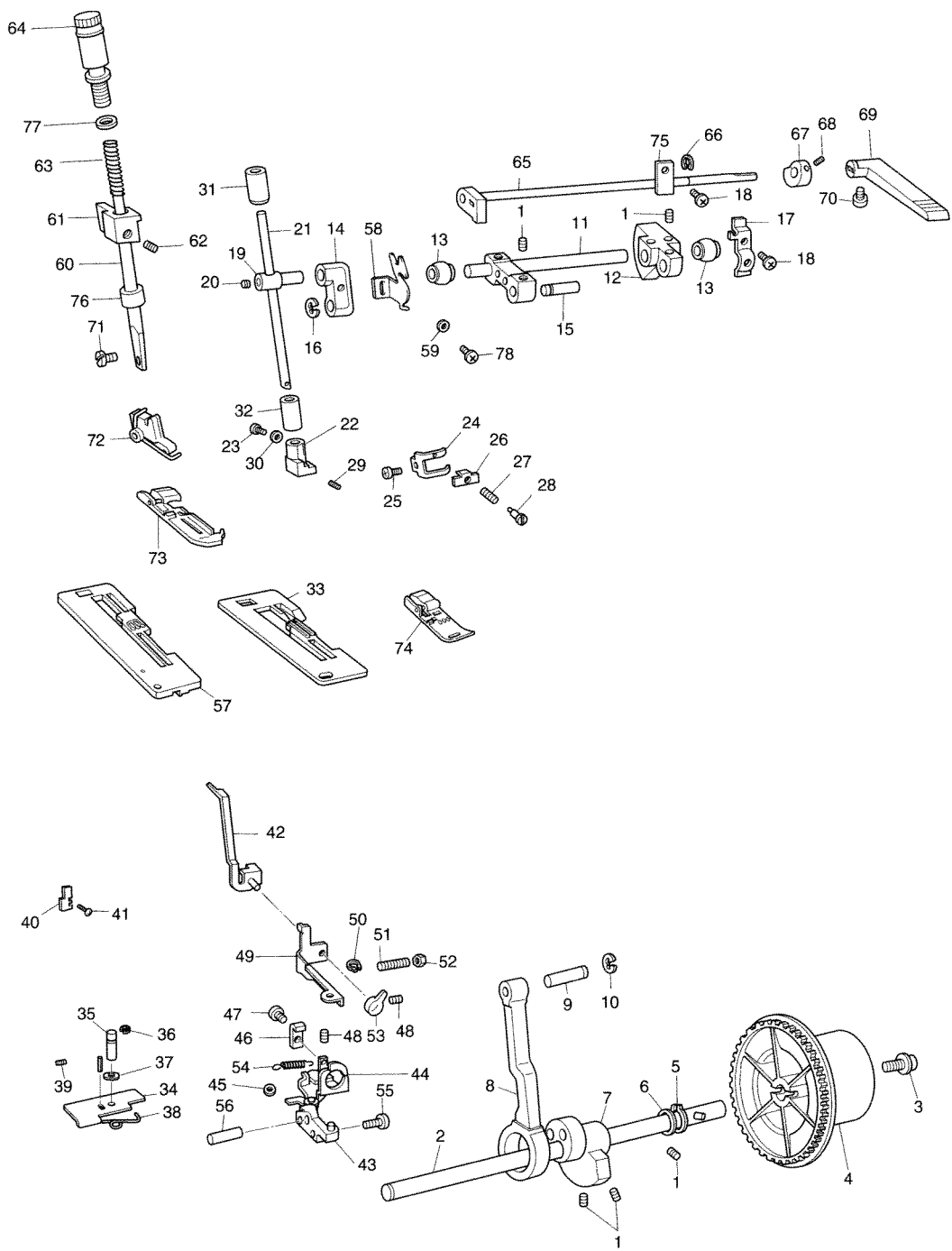




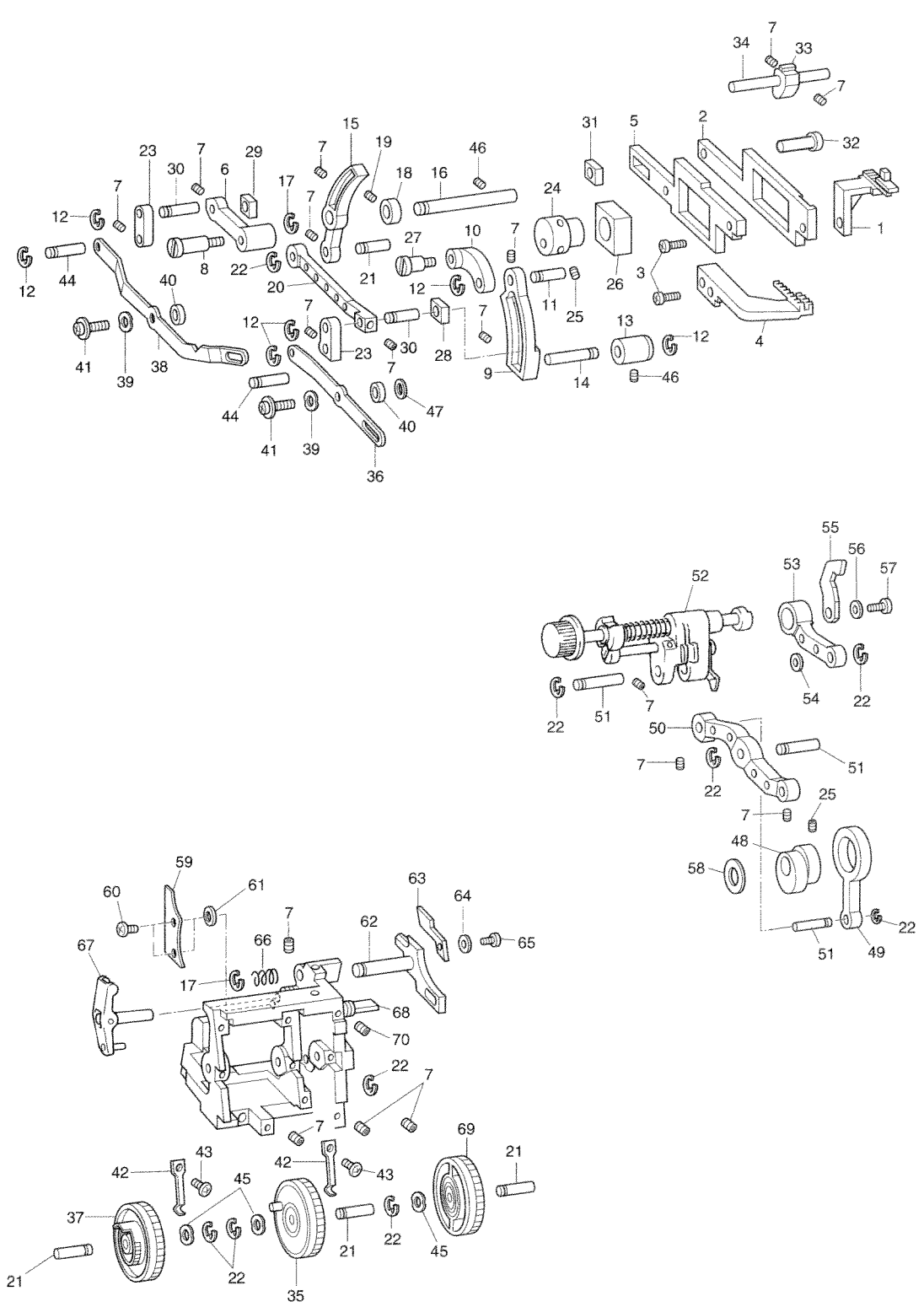




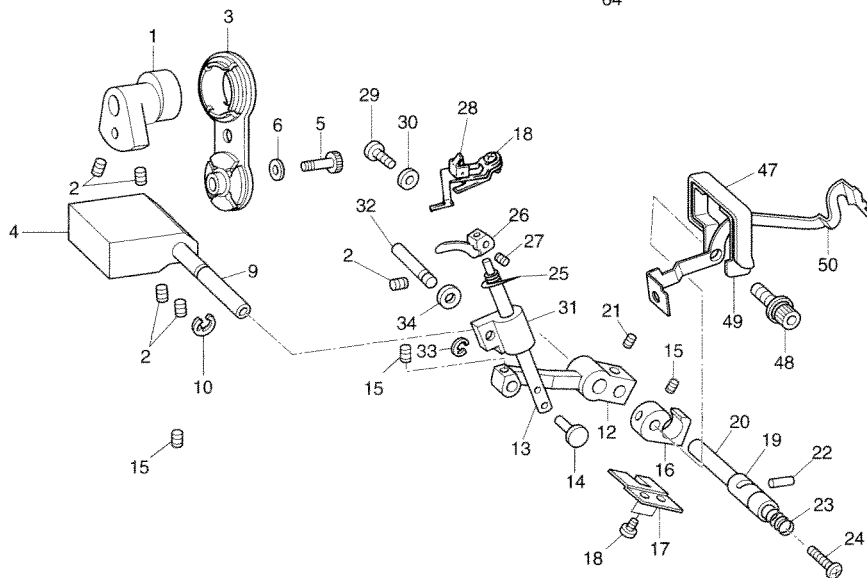
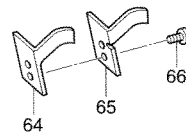
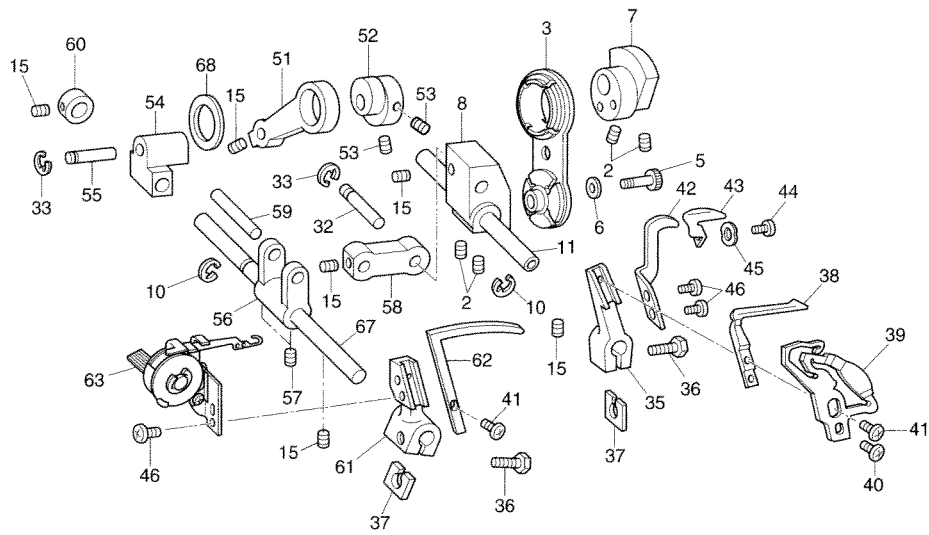




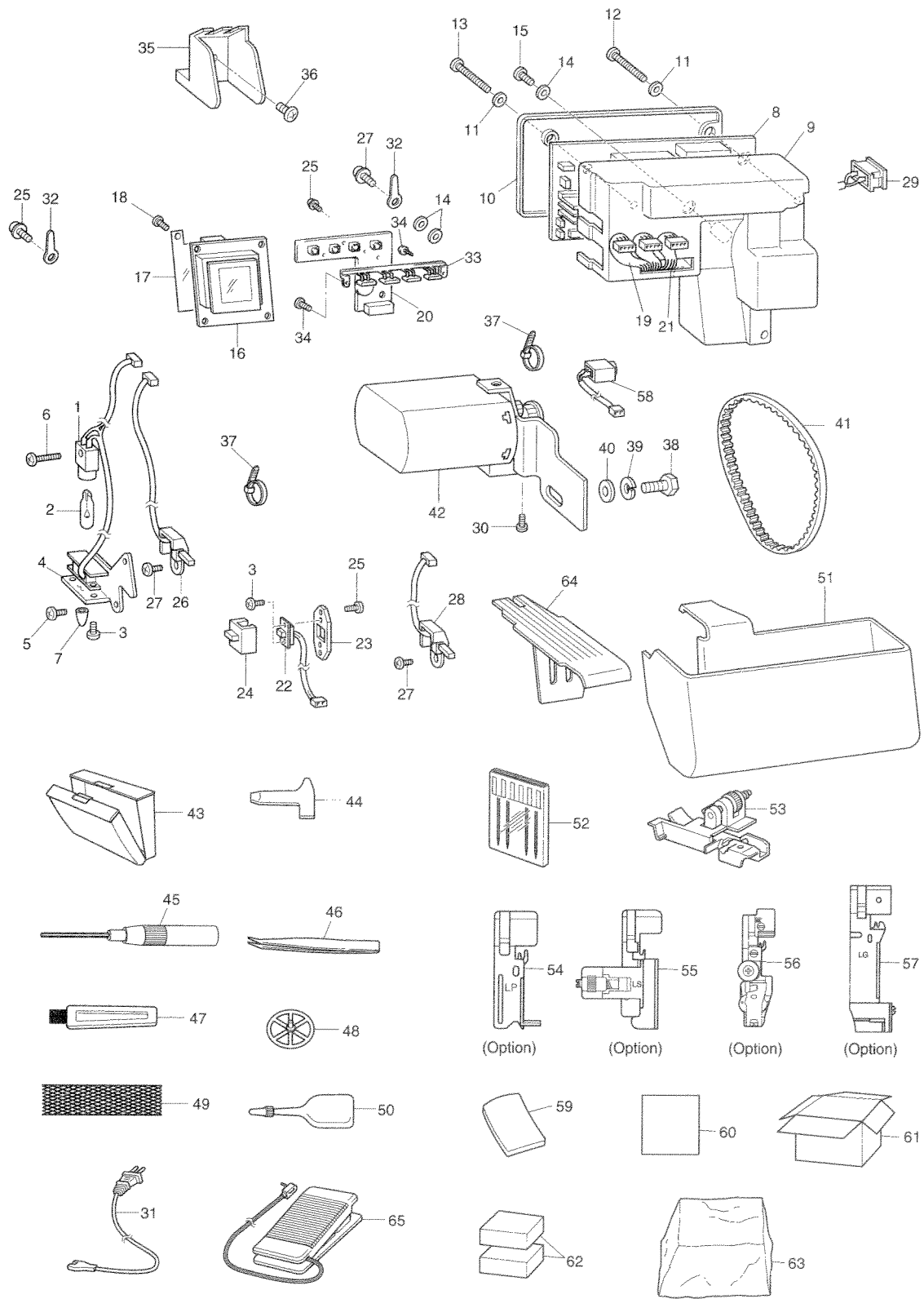












1003 LCD  
H7120122  
Printed in Japan