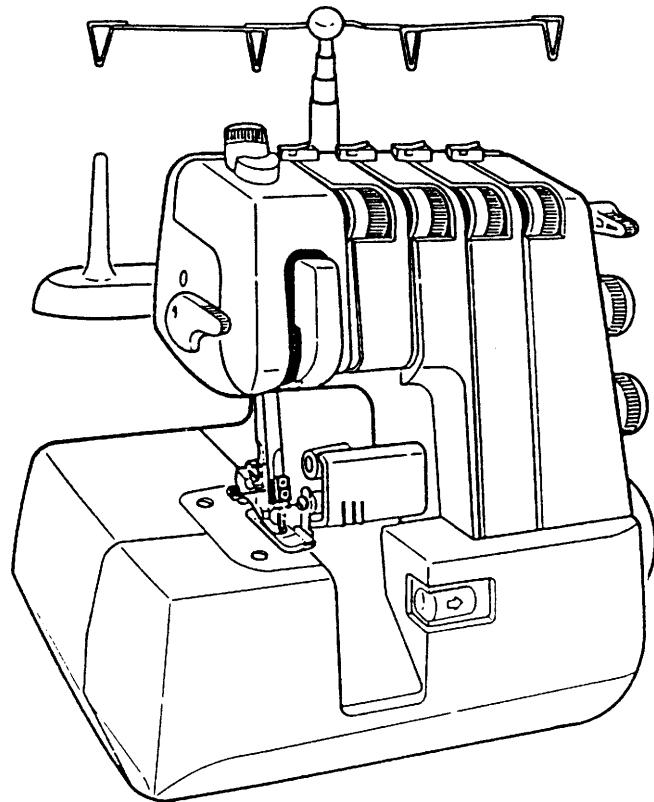


Spare Parts

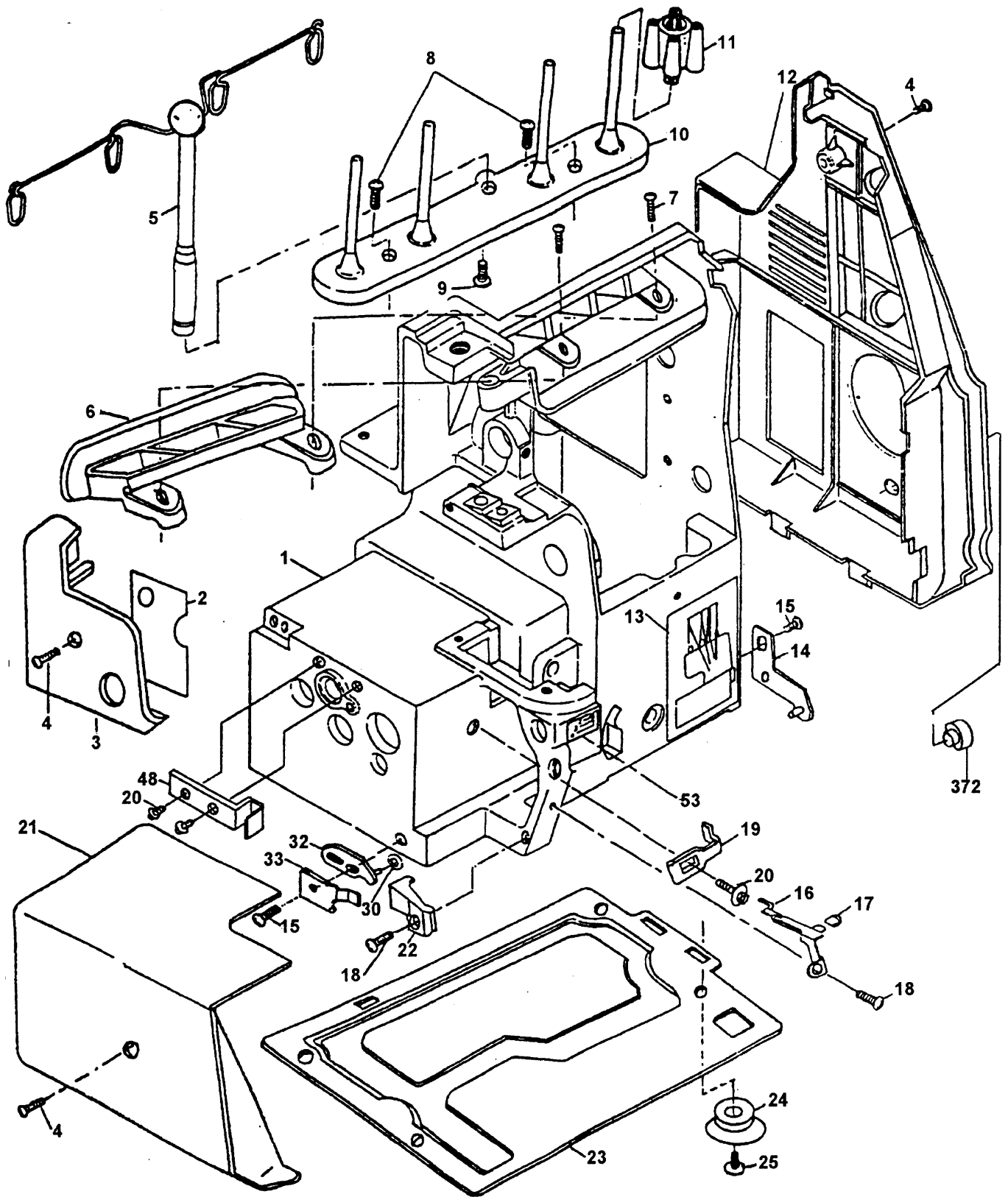


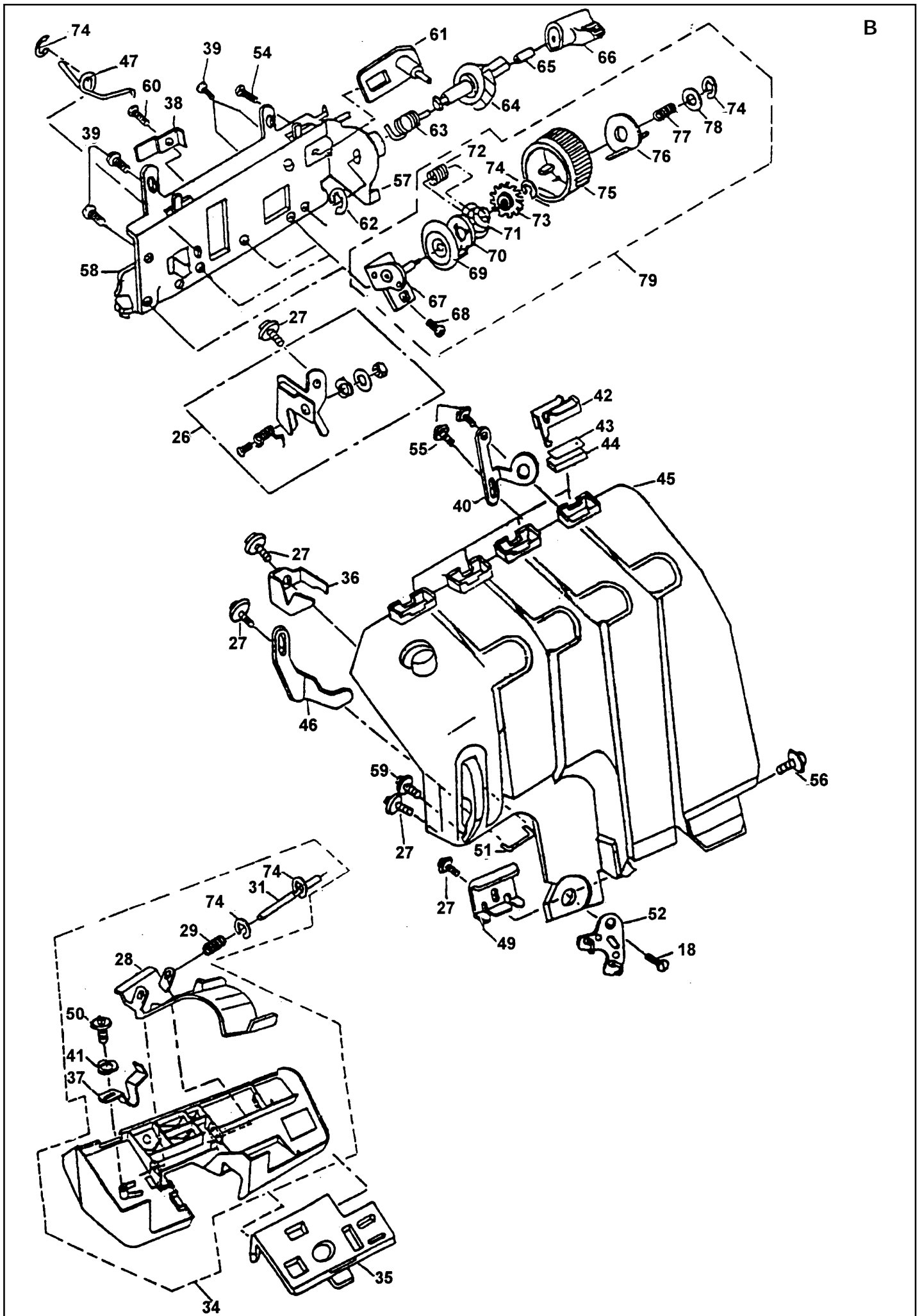
Husqvarna Huskylock 460 D,460 ED

Pos	Part no	Description	Square	Pos	Part no	Description	Square
2	415 50 01-01	Insulate heat paper for face cover	A	114	415 51 16-01	Set screw	C
3	415 50 02-01	Face cover	A	115	415 51 13-01	Set screwC	C
4	415 50 03-01	Set screw	A	116	415 51 18-01	Feed bar collar	C
5	415 50 04-01	Telescopic thread stand ass'y	A	117	415 51 19-01	Feed bar arm shaft	C
6	415 50 05-01	Handle	A	118	415 51 20-01	E-ring	C
7	415 50 06-01	Set screw	A	119	415 51 21-01	Differential link (6) ass'y	C
8	415 50 07-01	Set screw	A	120	415 51 22-01	Differential link (4) spring	C
9	415 50 08-01	Set screw	A	121	415 51 23-01	Feed bar arm (1) shaft	C
10	415 50 09-01	Spool pin	A	122	415 51 24-01	Feed bar arm spring (1)	C
11	415 50 10-01	Thread holder	A	123	415 51 25-01	Feed bar arm spring (2)	C
12	415 50 11-01	Motor cover	A	124	415 51 26-01	Differential link (3)	C
13	415 50 12-01	Thread guide panel	A	125	415 51 27-01	Felt (2)	C
14	415 50 13-01	Supporting plate <R> ass'y for front cover	A	126	415 51 28-01	Differential link (2)	C
15	415 50 14-01	Set screw	A	127	415 51 29-01	Feed link pin	C
16	415 50 15-01	Stitch finger holder	A	128	415 51 30-01	Differential feed shaft	C
17	415 50 16-01	Stitch finger holder knob	A	129	415 51 20-01	E-ring	C
18	415 50 17-01	Set screw	A,B	130	415 51 32-01	Set screw	C
19	415 50 18-01	Guide plate	A	131	415 51 33-01	Differential feed link (4)	C
20	415 50 19-01	Set screw	A	132	415 50 16-01	E-ring	C
21	415 50 20-01	Bed cover	A	133	415 51 35-01	Feed link spring plate	C
22	415 50 21-01	Front cover stopper	A	134	415 51 36-01	Set screw	C
23	415 50 22-01	Frame base	A	135	415 51 33-01	Differential feed link (4)	C
24	415 50 23-01	Cushion rubber	A	136	415 51 20-01	E-ring	C
25	415 50 24-01	Set screw	A	137	415 51 39-01	Set screw	C
26	415 50 25-01	Thread guide ass'y B	B	138	415 51 36-01	Set screw	C
27	415 50 26-01	Set screw	B	139	415 51 41-01	Feed regulator lever ass'y	C
28	415 50 27-01	Cutter corer	B	140	415 51 42-01	Bushing	C
29	415 50 28-01	Cutter cover spring	B	141	415 51 13-01	Set screw	C
30	415 50 29-01	Washer	A	142	415 51 44-01	Set screw	C
31	415 50 30-01	Cutter cover shaft	B	143	415 51 45-01	Feed regulator lever ass'y	C
32	415 50 31-01	Supporting plate <L> ass'y for front cover	A	144	415 51 32-01	Set screw	C
33	415 50 32-01	Supporting plate <R> spring	A	145	415 51 47-01	Feed bar arm (2)	C
34	415 53 70-01	Front cover 460 D	B	146	415 51 48-01	Feed bar arm pin	C
34	415 53 71-01	Front cover 460 ED	B	147	415 51 27-01	Felt (2)	C
35	415 50 34-01	Accessory cover	B	148	415 51 50-01	Feed bar arm collar	C
36	415 50 35-01	Thread guide -E-	B	149	415 51 16-01	Set screw	C
37	415 50 36-01	Front cover plate stopper	B	150	415 51 13-01	Set screw	C
38	415 50 37-01	Release lever tension re-plate	B	151	415 51 50-01	Feed bar arm collar	C
39	415 50 38-01	Set screw	B	152	415 51 19-01	Feed bar arm shaft	C
40	415 50 39-01	Front panel holding plate	B	153	415 51 13-01	Set screw	C
41	415 50 40-01	Washer	B	154	415 51 55-01	Feed bar arm (2) pin	C
42	415 50 41-01	Thread guide -A-	B	155	415 51 56-01	Feed bar (2)	C
43	415 50 42-01	Spring for thread guide -A-	B	156	415 51 16-01	Set screw	C
44	415 50 43-01	Foam for thread guide -A-	B	157	415 51 57-01	Feed bar (1)	C
45	415 53 72-01	Front panel ass'y 460 D	B	158	415 51 16-01	Set screw	C
45	415 53 73-01	Front panel ass'y 460 ED	B	159	415 50 61-01	E-ring	C
46	415 50 45-01	Take-up lever thread guide	B	160	415 51 59-01	Washer	C
47	415 50 46-01	Release lever tension plate spring	B	161	415 51 60-01	Feed dog (2)	C
48	415 53 92-01	Front cover stopper	A	162	415 51 61-01	Set screw	C
49	415 50 48-01	Thread guide -D-	B	163	415 51 62-01	Feed shaft	C
50	415 50 49-01	Set screw	B	164	415 51 63-01	Washer	C
51	415 50 50-01	Thread guide No. 2	B	165	415 51 64-01	Set screw	C
52	415 53 90-01	Thread guide -E- 460 D	B	166	415 51 65-01	Feed dog (1)	C
52	415 53 91-01	Thread guide -E- 460 ED	B	168	415 51 67-01	Feed dog plate ass'y	C
53	415 50 52-01	Cut width panel	A	169	415 51 68-01	Adjust cam B	C
54	415 50 53-01	Set screw	B	170	415 51 64-01	Set screw	C
55	415 50 54-01	Set screw	B	171	415 51 70-01	Presser regulator ass'y	D
56	415 50 55-01	Motor pulley USA, Canada	B	172	415 51 71-01	Presser spring	D
57	415 50 56-01	Tension holding plate	B	173	415 51 72-01	Presser bar	D
58	415 50 57-01	Tension release lever holding plate	B	174	415 51 73-01	Set screw	D
59	415 50 26-01	Set screw	B	175	415 51 13-01	Set screw	D
60	415 50 59-01	Set screw	B	176	415 51 75-01	Presser bar bracket	D
61	415 50 60-01	(2)Tension release lever regulator panel	B	177	415 51 76-01	Sewing foot ass'y	D
62	415 50 61-01	E-ring	B	178	415 51 77-01	Sewing foot ass'y	D
63	415 50 62-01	Release lever tension spring	B	179	415 51 78-01	Lower shaft	E
64	415 50 63-01	Release lever tension cam	B	180	415 51 79-01	Spring pin	E
65	415 50 64-01	Spring pin	B	181	415 51 80-01	Washer	E
66	415 50 65-01	Release lever bar	B	182	415 51 81-01	Messer arm ass'y	E
67	415 50 66-01	Tension bracket ass'y	B	183	415 51 82-01	Bushing	E
68	415 50 53-01	Set screw	B	184	415 51 83-01	Messer stand shaft	E
69	415 50 68-01	Tension disk -R>	B	185	415 51 84-01	Messer presser spring	E
70	415 50 69-01	Tension disk bracket	B	186	415 51 85-01	Messer revolve dial	E
71	415 50 70-01	Tension spring -A-	B	187	415 51 16-01	Set screw	E
72	415 50 71-01	Tension spring -C-	B	188	415 51 86-01	Upper messer	E
73	415 50 72-01	Tension nut	B	189	415 51 87-01	Set screw	E
74	415 50 73-01	E-ring	B	190	415 51 88-01	Collar	E
75	415 53 89-01	Tension dial	B	191	415 51 89-01	Messer driver shaft	E
76	415 50 98-01	Tension disk regulator plate	B	192	415 51 90-01	Messer drive arm	E
77	415 50 79-01	Tension spring	B	193	415 51 91-01	Set screw	E
78	415 50 80-01	Washer	B	194	415 51 92-01	Set screw	E
79	415 53 74-01	Tension dial ass'y	B	195	415 51 93-01	Feed cam	E
79	415 53 75-01	Tension dial ass'y	B	196	415 51 94-01	Washer	E
79	415 53 76-01	Tension dial ass'y	B	197	415 51 95-01	Washer	E
79	415 53 77-01	Tension dial ass'y	B	198	415 51 96-01	Feed lifting link	E
93	415 50 95-01	Feed cam	C	199	415 51 97-01	Adjust cam	E
94	415 50 96-01	Set screw	C	200	415 51 98-01	Washer	E
95	415 50 97-01	Differential link (5) ass'y	C	201	415 51 99-01	Lower shaft bushing -F-	E
96	415 50 61-01	E-ring	C	202	415 52 00-01	Set screw	F
97	415 50 99-01	Differential feed cam	C	203	415 51 88-01	Looper shaft collar	E
98	415 51 00-01	Feed bar link (1)	C	204	415 52 02-01	Set screw	E
99	415 51 01-01	Feed bar link (2)	C	205	415 52 03-01	Upper looper drive shaft	F
100	415 50 73-01	E-ring	C	206	415 52 04-01	Looper shaft cap	F
101	415 50 61-01	E-ring	C	207	415 52 05-01	Looper shaft bushing -R-	F
102	415 51 04-01	Dial holding plate ass'y	C	208	415 52 06-01	Drive link arm	F
103	415 51 05-01	Set screw	C	209	415 53 78-01	Washer	F
104	415 51 06-01	Differential dial spring	C	210	415 52 08-01	Looper drive arm	F
105	415 51 07-01	Set screw	C	211	415 52 09-01	Set screw	F
106	415 51 08-01	Stitch length dial spring	C	212	415 52 10-01	Set screw	F
107	415 51 07-01	Set screw	C	213	415 52 11-01	Looper take-up lever	F
108	415 51 10-01	Differential dial ass'y	C	214	415 52 12-01	Set screw	F
109	415 51 11-01	Stitch length dial ass'y	C	215	415 52 13-01	Looper shaft bushing	F
110	415 51 12-01	Differential link (1)	C	216	415 52 14-01	Upper looper shaft pin	F
111	415 51 13-01	Set screw	C	217	415 53 79-01	Set screw	F
112	415 51 14-01	Differential link (2) pin	C	218	415 52 16-01	Upper looper stand shaft	F
113	415 51 15-01	Feed bar arm (1)	C	219	415 52 17-01	Switch	F

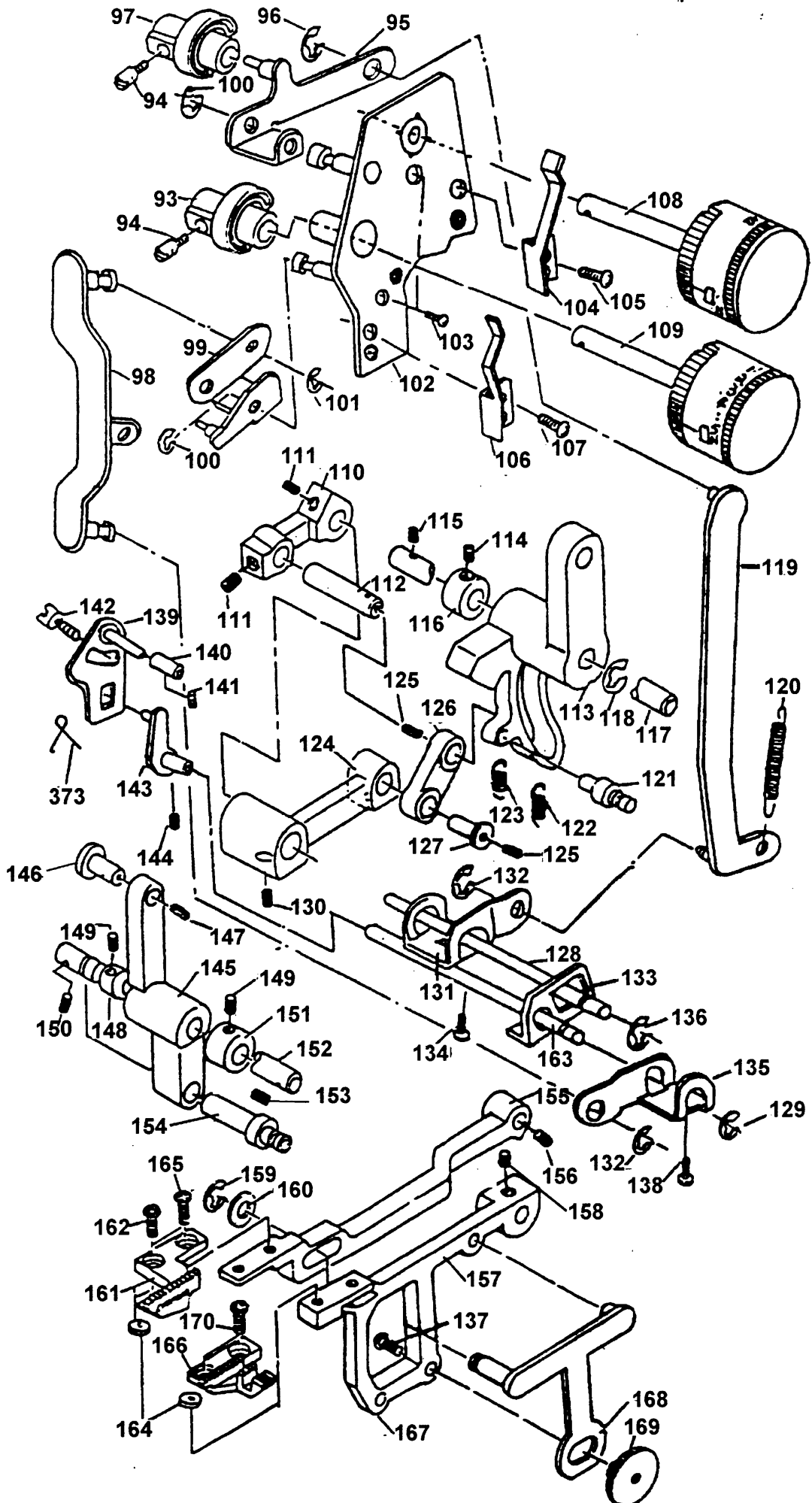
Pos	Part no	Description	Square	Pos	Part no	Description	Square
220	415 52 18-01	Controller compl. 460 D 220V	H	320	415 52 51-01	Washer	E
220	415 52 30-01	Controller compl. 460 ED 220V	H	321	415 53 18-01	E-ring	E
220	415 52 28-01	Controller compl. 460D Australia	H	322	415 53 19-01	Washer	E
220	415 52 29-01	Controller compl. 460ED Australia	H	323	415 53 20-01	Horizontal feeding link pin	E
220	415 52 33-01	Controller compl. USA	H	324	415 51 27-01	Felt(2)	E
220	415 52 34-01	Controller compl. Canada	H	325	415 53 22-01	Horizontal feeding link	E
221	415 52 19-01	Felt	F	326	415 53 23-01	Feed regulator link	E
222	415 52 20-01	Upper looper	F	327	415 53 24-01	Feed link pin	E
223	415 51 16-01	Set screw	F	328	415 53 19-01	Washer	E
224	415 52 21-01	Upper looper fulcrum bushing	F	329	415 53 20-01	Feeding link pin	E
225	415 52 22-01	Lower shaft gear	E	330	415 52 31-01	Washer	E
226	415 52 23-01	Upper looper fulcrum	F	331	415 53 28-01	Felt (5)	E
227	415 52 24-01	Washer	F	332	415 53 29-01	Supporting plate ass'y for cutting width regulating	D
228	415 52 25-01	Upper looper collar	F	333	415 53 30-01	Cutting width adjusting dial	D
229	415 52 26-01	Set screw	F	334	415 53 31-01	Set screw	D
230	415 52 27-01	Bottom looper drive shaft	F	335	415 53 32-01	Supporting plate for cutting width regulating dial	D
231	415 52 04-01	Looper shaft cap	F	336	415 52 54-01	Washer	D
232	415 52 05-01	Looper shaft bushing	F	337	415 53 34-01	Set screw	D
233	415 52 06-01	Drive link pin	F	338	415 53 35-01	Positioning spring	D
234	415 52 31-01	Washer	F	339	415 53 36-01	Steel ball	D
235	415 52 32-01	Looper shaft collar	F	340	415 53 37-01	Cutting width regulating shaft ass'y	D
236	415 52 24-01	Washer	F	341	415 53 81-01	Washer	D
237	415 52 13-01	Looper shaft bushing	F	342	415 53 39-01	Messer slide guide spring	D
238	415 51 13-01	Set screw	F	343	415 51 61-01	Set screw	D
239	415 52 36-01	Bottom looper stand	F	344	415 53 41-01	Needle guide (2)	D
240	415 52 37-01	Set screw	F	345	415 53 42-01	Cutting width change cam ass'y	D
241	415 52 38-01	Bottom looper	F	346	415 53 43-01	Bottom messer stand ass'y	D
242	415 52 39-01	Needle guide	F	347	415 50 84-01	Lower cutter	D
243	415 52 40-01	Set screw	F	348	415 53 45-01	Washer	D
244	415 52 41-01	Bottom looper thread guide	F	349	415 50 73-01	E-ring	D
245	415 52 42-01	Set screw	F	350	415 53 47-01	Front cover stopper	D
246	415 52 43-01	Drive shaft	F	351	415 53 48-01	Messer stand	D
247	415 52 44-01	Drive shaft cap	F	352	415 53 82-01	Set screw	D
248	415 52 45-01	Bushing	F	353	415 53 50-01	Set screw	D
249	415 52 46-01	Bottom looper drive cam	F	354	415 53 54-01	Motor compl. Australia	H
250	415 52 47-01	Felt (4)	F	354	415 53 40-01	Motor compl. Canada	H
251	415 51 16-01	Set screw	F	354	415 53 33-01	Motor compl. USA	H
252	415 52 49-01	Drive link	F	354	415 53 83-01	Motor compl. 220V 460 D	H
253	415 52 50-01	Looper drive link pin	F	354	415 53 51-01	Motor compl. 220V 460 ED	H
254	415 52 51-01	Washer	F	355	415 53 52-01	Cushion rubber	H
255	415 52 52-01	E-ring	F	356	415 53 53-01	Motor pulley	H
256	415 52 53-01	Upper looper drive cam	F	357	415 50 73-01	E-ring	H
257	415 52 54-01	Wave washer	F	358	415 50 58-01	Motor bracket 460D Australia	H
258	415 51 32-01	Set screw	F	358	415 50 67-01	Motor bracket USA, Canada	H
259	415 52 49-01	Drive link	F	358	415 53 55-01	Motor bracket	H
260	415 52 50-01	Drive link pin	F	359	415 50 78-01	Nut 460D Australia	H
261	415 51 27-01	Felt (2)	F	359	415 53 56-01	Nut	H
262	415 52 59-01	Washer	F	360	415 53 57-01	Washer	H
263	415 52 60-01	Bushing	F	361	415 53 58-01	Set screw	H
264	415 51 13-01	Set screw	F	362	415 53 59-01	Timing belt	H
265	415 52 62-01	Drive shaft gear	F	363	415 53 60-01	Receptacle cover	H
266	415 52 54-01	Wave washer	F	364	415 53 61-01	Receptacle	H
267	415 52 64-01	Washer	F	365	415 50 83-01	Light socket ass'y	H
268	415 52 59-01	Washer	E	365	415 53 62-01	Light socket ass'y USA, Canada	H
269	415 52 66-01	Messer link	E	366	415 50 85-01	Light bulb	H
270	415 52 67-01	Washer	E	366	415 53 63-01	Light bulb, USA, Canada	H
271	415 52 68-01	Messer drive cam	E	367	415 51 36-01	Set screw	H
272	415 52 69-01	Washer	E	368	415 53 65-01	Presser foot lifter	D
273	415 52 70-01	Washer	E	369	415 53 66-01	Knob spring	D
274	415 52 71-01	Washer	E	370	415 53 67-01	Power supply plate	H
275	415 52 72-01	Upper shaft drive link	E	371	415 53 68-01	Needle plate ass'y	D
276	415 52 59-01	Washer	E	372	415 53 84-01	Motor hole cover	A
277	415 51 88-01	Lower shaft collar	E	373	415 53 85-01	Feed regulate spring	C
278	415 52 02-01	Set screw	E	374	415 53 86-01	Hand wheel weight	E
279	415 52 76-01	Handwheel	E	375	415 53 87-01	Set screw	E
280	415 52 77-01	Set screw	E	376	415 52 99-01	Set screw	F
281	415 51 82-01	Upper shaft bushing	E	377	415 51 13-01	Set screw	F
282	415 52 79-01	Upper shaft drive link pin	E	378	415 53 88-01	Set screw	H
283	415 52 80-01	Needle bar	E	Accessories			
284	415 52 81-01	Felt (1)	E	415 51 03-01	Piping foot	G	
285	415 52 82-01	Needle bar drive arm pin	E	415 51 02-01	Gathering foot	G	
286	415 52 83-01	Needle bar brank	E	415 50 94-01	Elastic foot	G	
287	415 51 32-01	Set screw	E	415 51 09-01	Pearl foot	G	
288	415 52 85-01	Set screw	E	415 50 86-01	Blind hem foot 0,5 mm	G	
289	415 52 86-01	Needle stopper	E	415 50 87-01	Blind hem foot 1,0 mm	G	
290	415 52 87-01	Set screw	E	415 50 82-01	Net	G	
291	415 52 88-01	Needle clamp	E	401 55 55-01	Brush	G	
292	415 53 80-01	Set screw	E	415 50 84-01	Lower cutter	G	
293	415 52 90-01	Needle bar thread guide	E	412 28 90-01	Screw driver small	G	
294	411 31 17-01	Needle 2x70, 6x80, 2x90	E	412 28 90-02	Screw driver medium	G	
295	415 52 92-01	Needle bar drive link	E	411 31 17-01	Needles 2Xnm70, 6XNM80, 2XNM90	G	
296	415 52 93-01	Take-up lever	E	415 50 88-01	Tweezers	G	
297	415 52 12-01	Set screw	E	415 50 89-01	Oiler	G	
298	415 52 95-01	Needle drive arm	E	415 50 90-01	Spool guide -L-	G	
299	415 52 96-01	Spring pin	E	415 50 91-01	Accessory box	G	
300	415 52 10-01	Set screw	E	415 50 92-01	Dust cover	G	
301	415 51 82-01	Upper shaft bushing	E	415 50 93-01	Bulb change tool	G	
302	415 52 99-01	Set screw	D,E,F	415 50 81-01	Accessories box compl.	G	
303	415 51 88-01	Upper shaft collar	E	Service tools			
304	415 52 37-01	Set screw	E	415 53 69-01	Service tool	G	
305	415 53 02-01	Balance	E	411 17 52-01	Service tool	G	
306	415 51 27-01	Felt (2)	E,F				
307	415 52 50-01	Drive link pin	E				
308	415 53 05-01	Upper shaft	E				
309	415 53 06-01	Presser bar lifter stand ass'y	D				
310	415 53 07-01	Set screw	D				
311	415 50 59-01	Set screw	D				
312	415 53 09-01	Lamp plate	D				
313	415 50 61-01	E-ring	D				
314	415 53 11-01	Light socket holding plate	D				
315	415 50 59-01	Set screw	D				
316	415 53 13-01	Presser bar lifter cam	D				
317	415 53 14-01	Presser bar lifter spring	D				
318	415 53 07-01	Set screw	D				
319	415 53 16-01	Feed regulator arm	E				

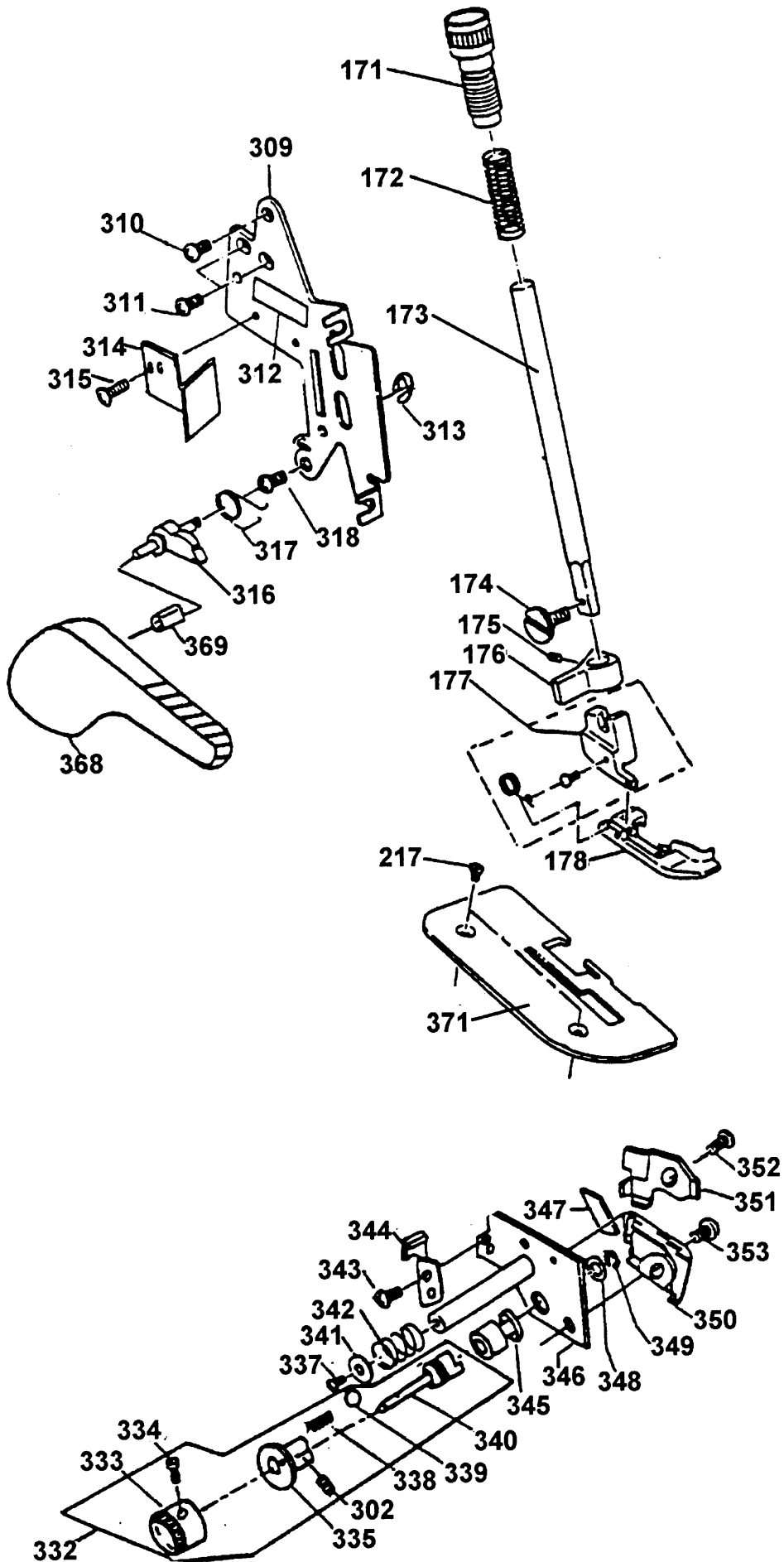
A



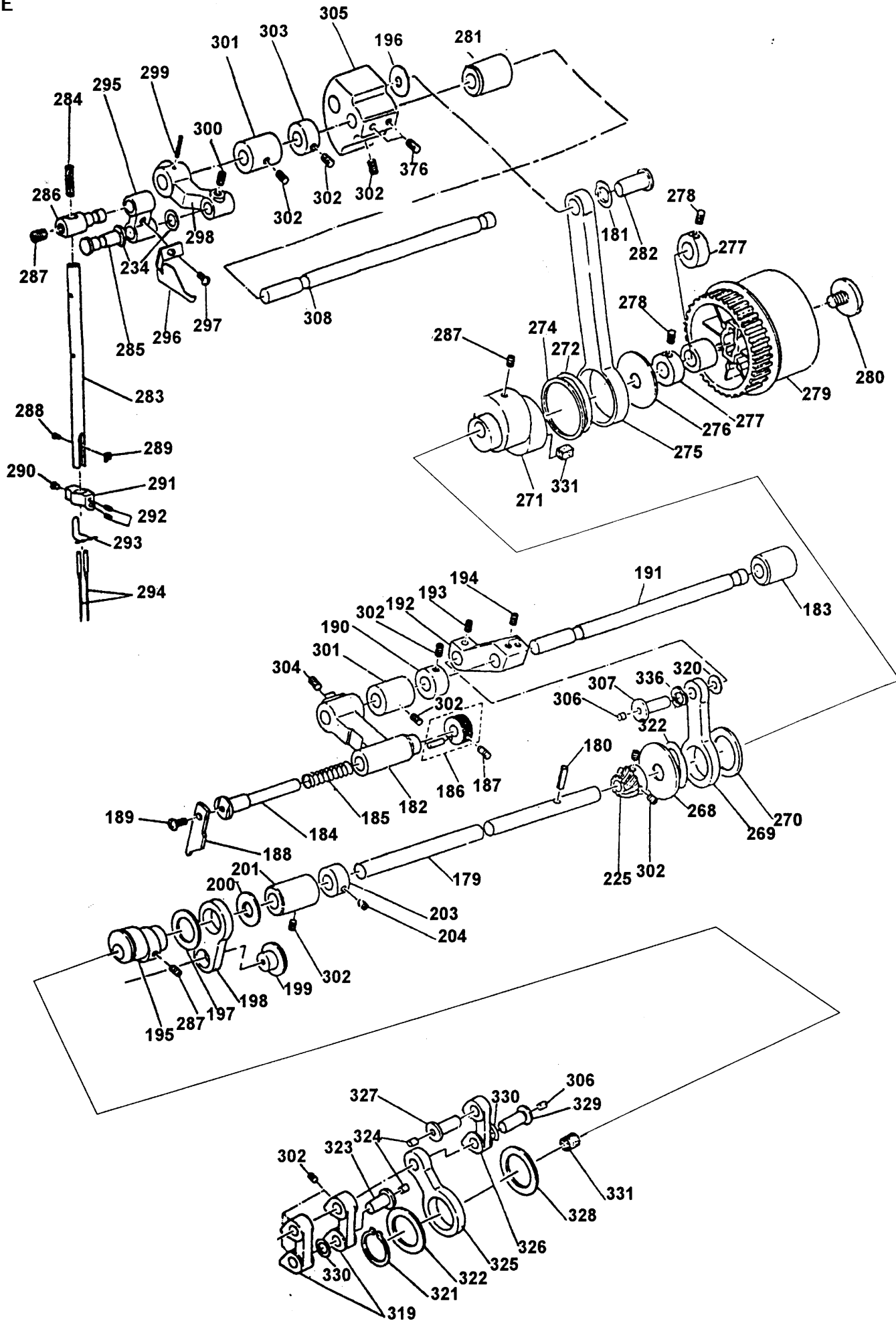


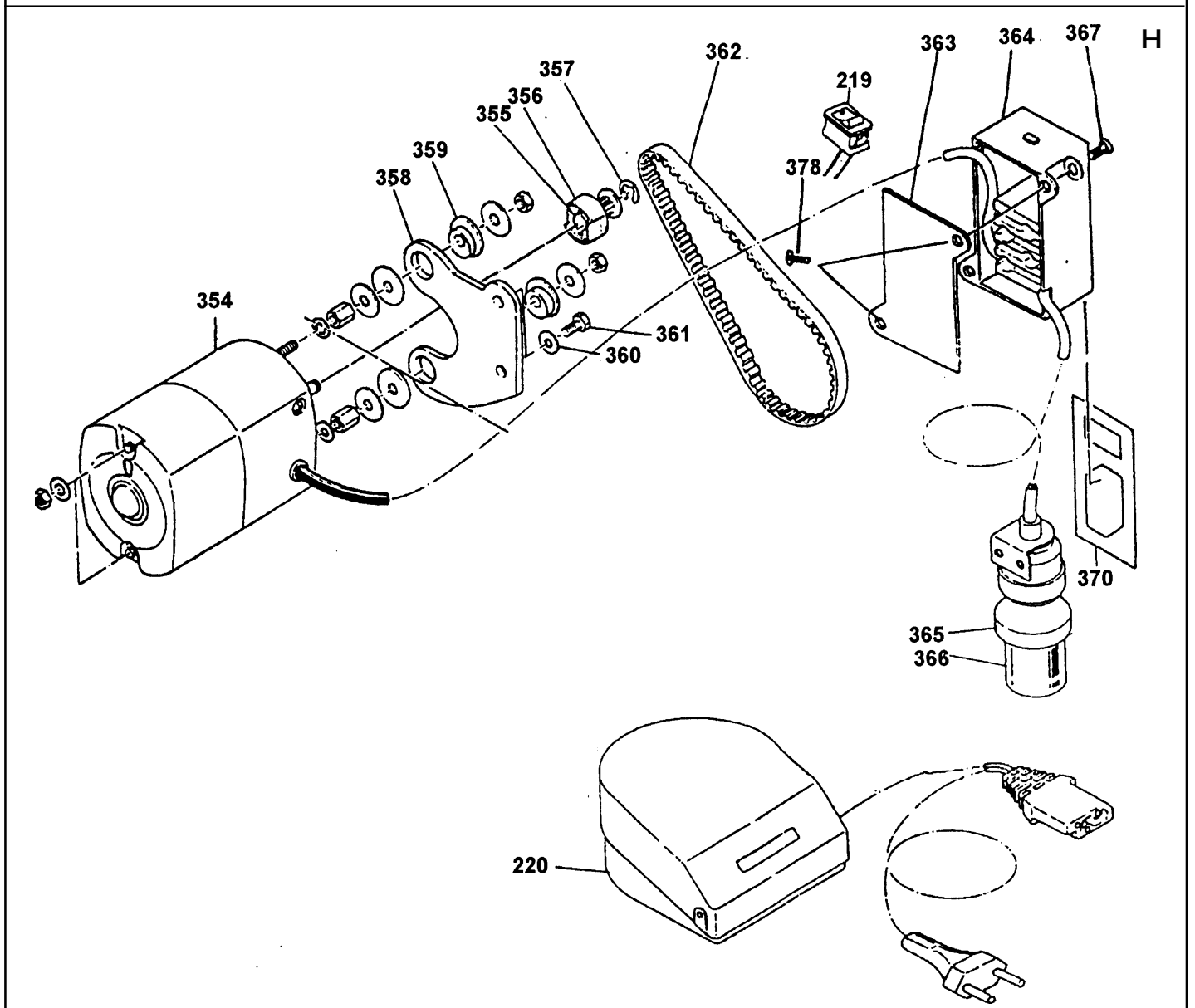
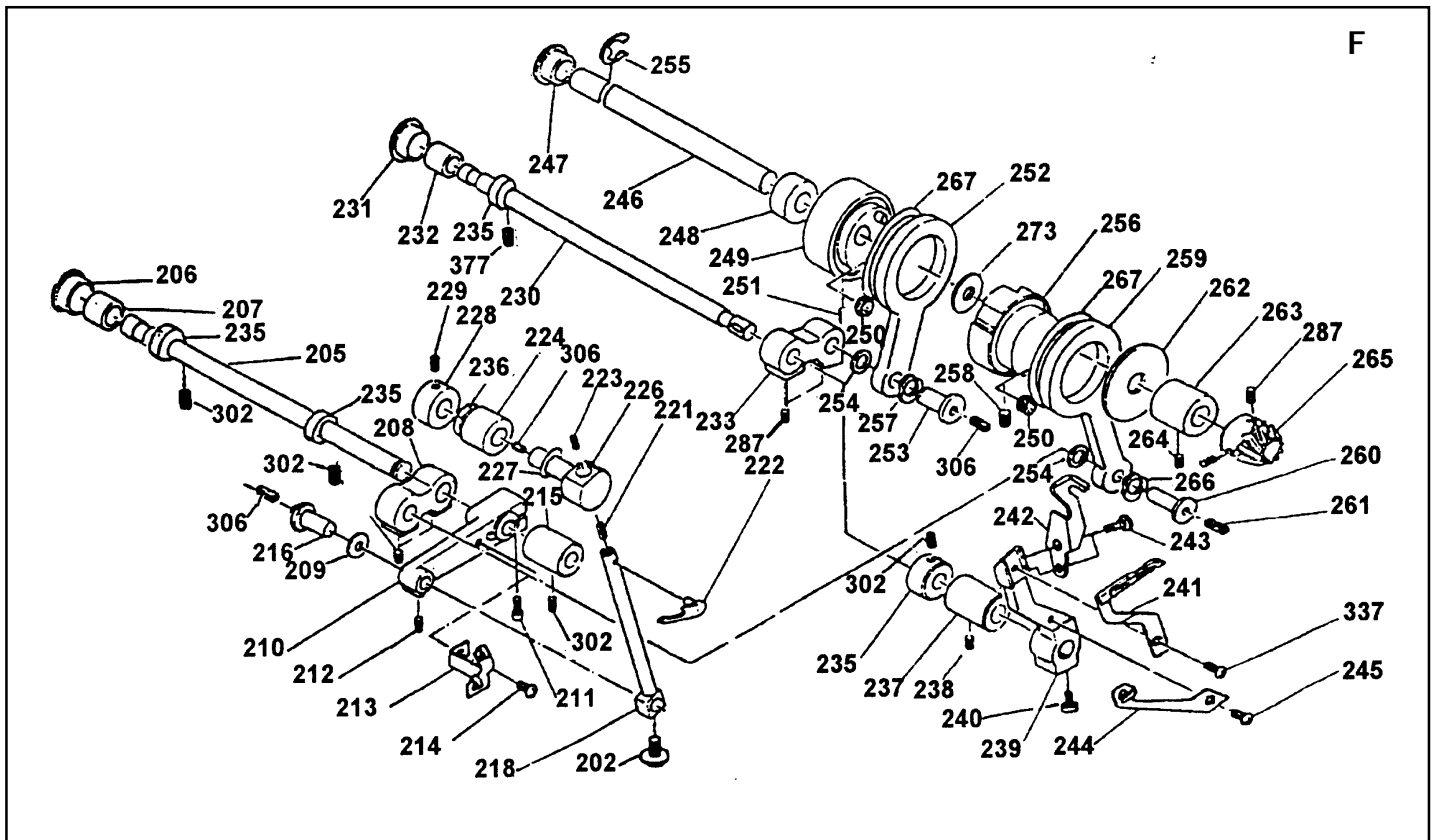
C



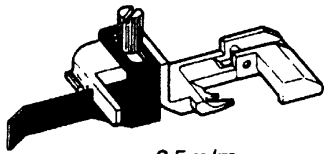


E



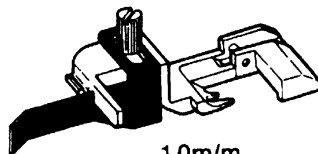


G



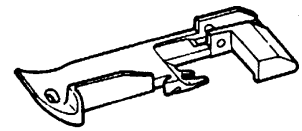
0.5m/m

415 50 86-01
Blindhem foot 0,5 mm

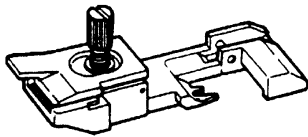


1.0m/m

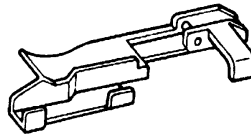
415 50 87-01
Blindhem foot 1,0 mm



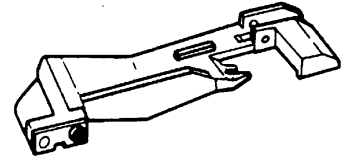
415 51 03-01
Piping foot



415 50 94-01
Elastic foot



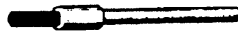
415 51 09-01
Pearl foot



415 51 02-01
Shirring foot



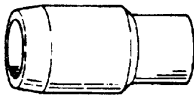
415 50 91-01
Accessory box



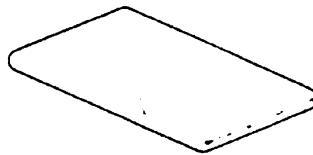
401 55 55-01
Brush



415 50 84-01
Lower cutter



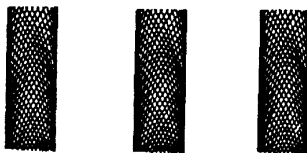
415 50 93-01
Bulb change tool



415 50 92-01
Dust cover



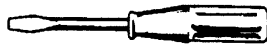
411 31 17-01
Needles 2x70,
6x80, 2x90.



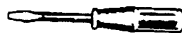
415 50 82-01
Net



415 50 89-01
Oiler



412 28 90-02
Screw driver medium



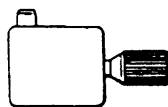
412 28 90-01
Screw driver small



415 50 88-01
Tweezers



415 50 90-01
Spool guide -L-



411 17 52-01
Service tool



415 53 69-01
Service tool