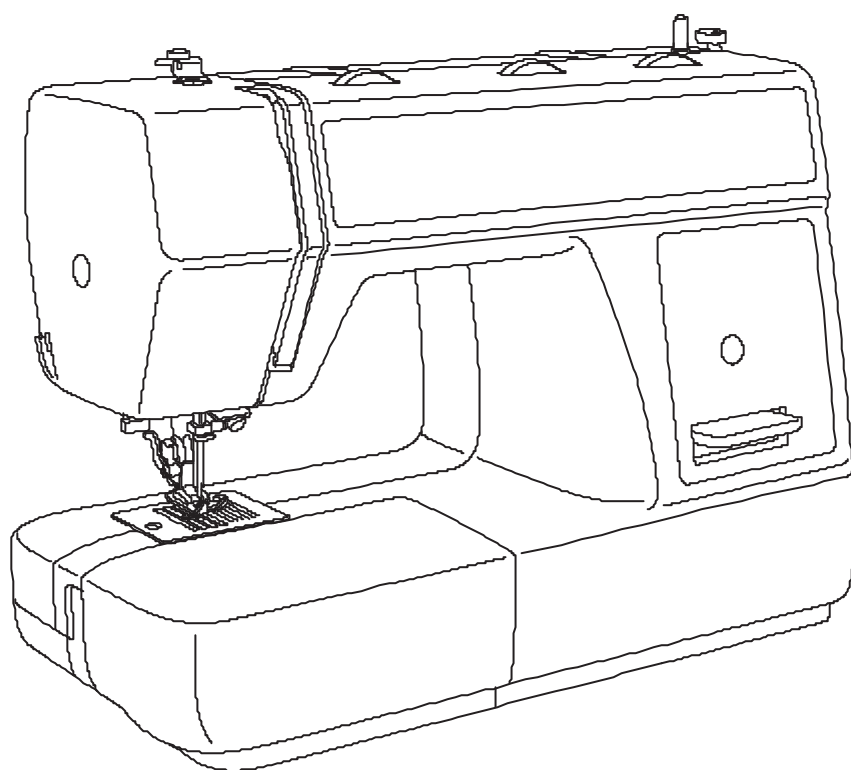


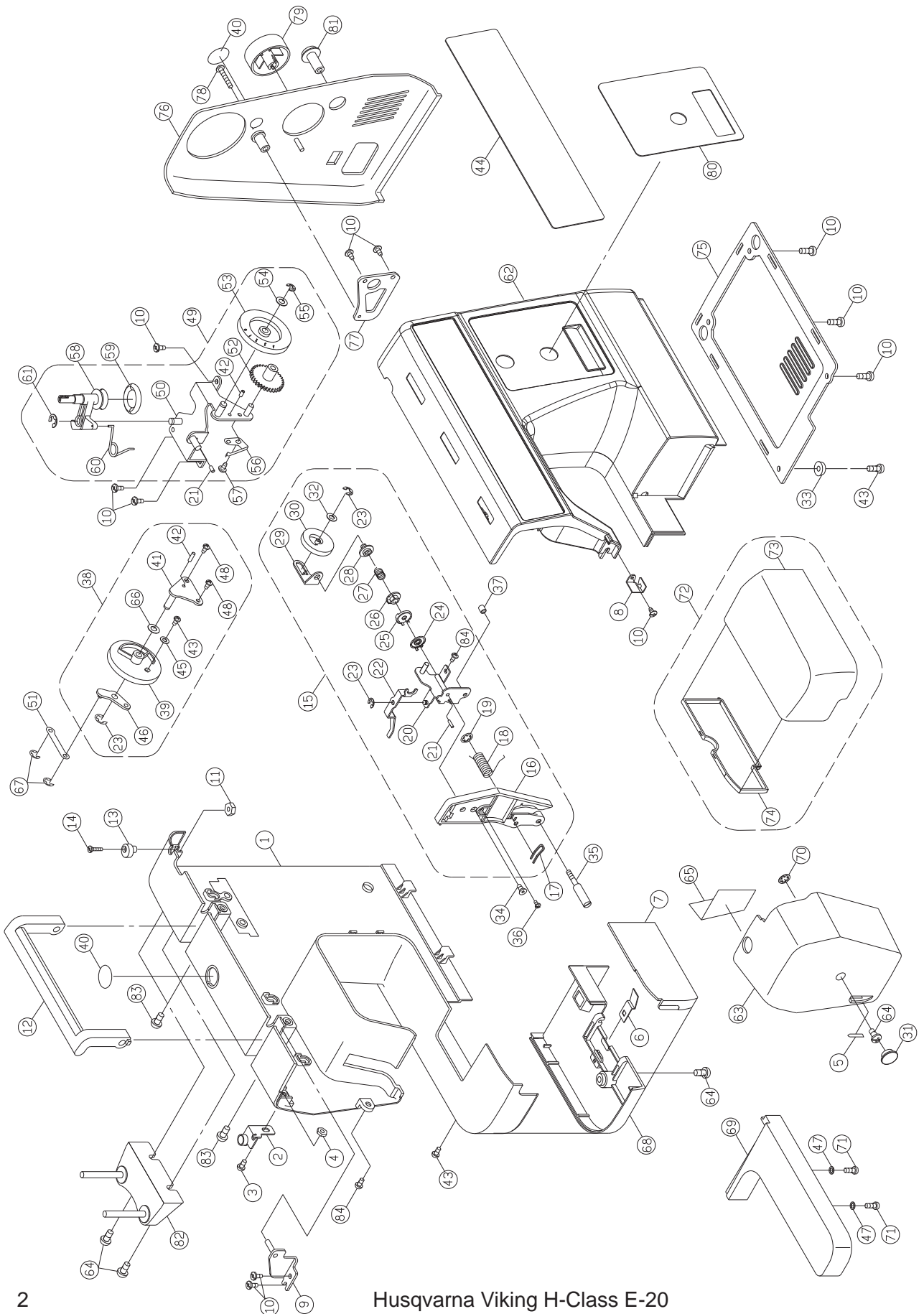
# PARTS LIST



© 2012 SVP Worldwide - All Rights Reserved.

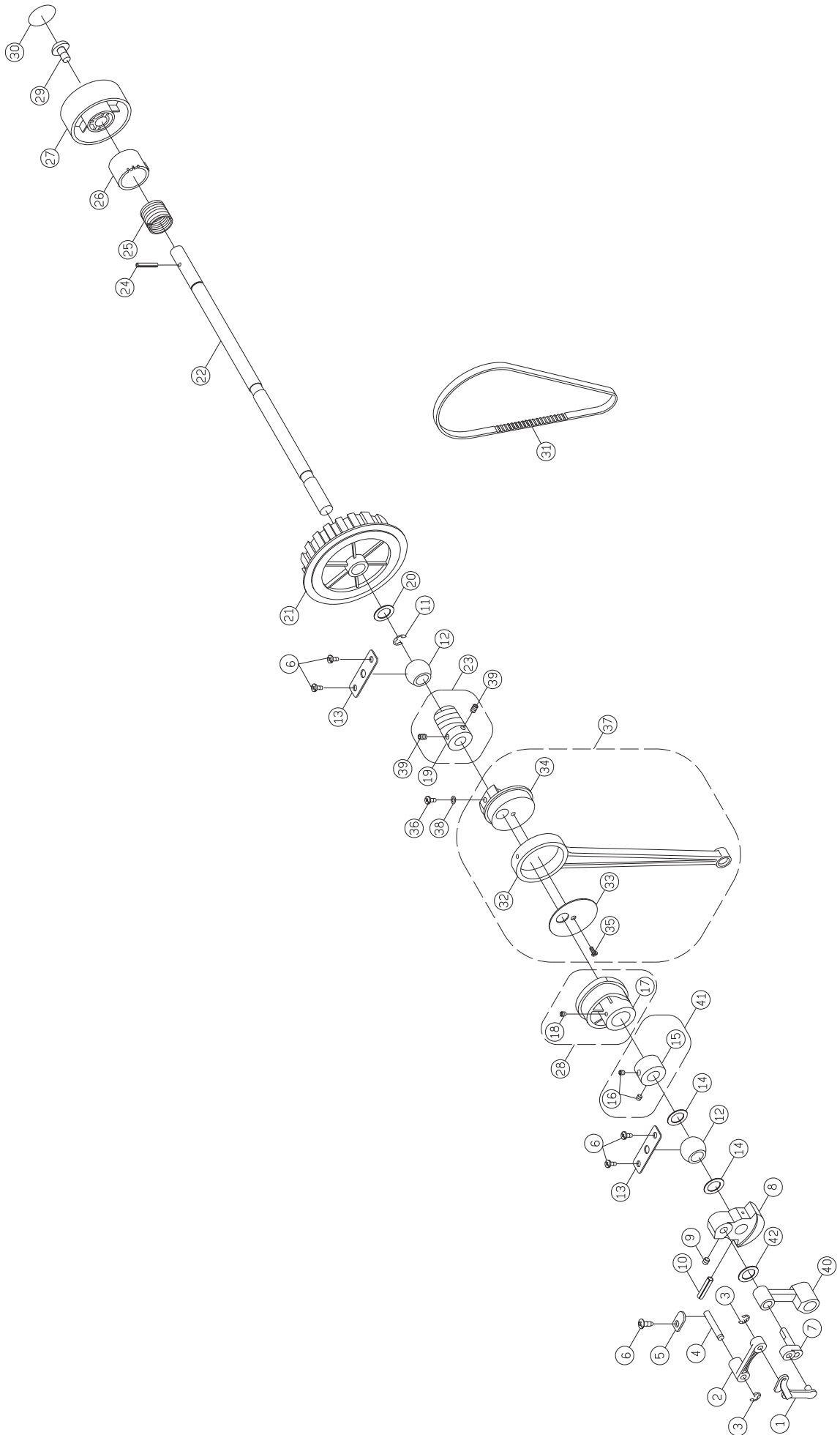
**E20**

# A

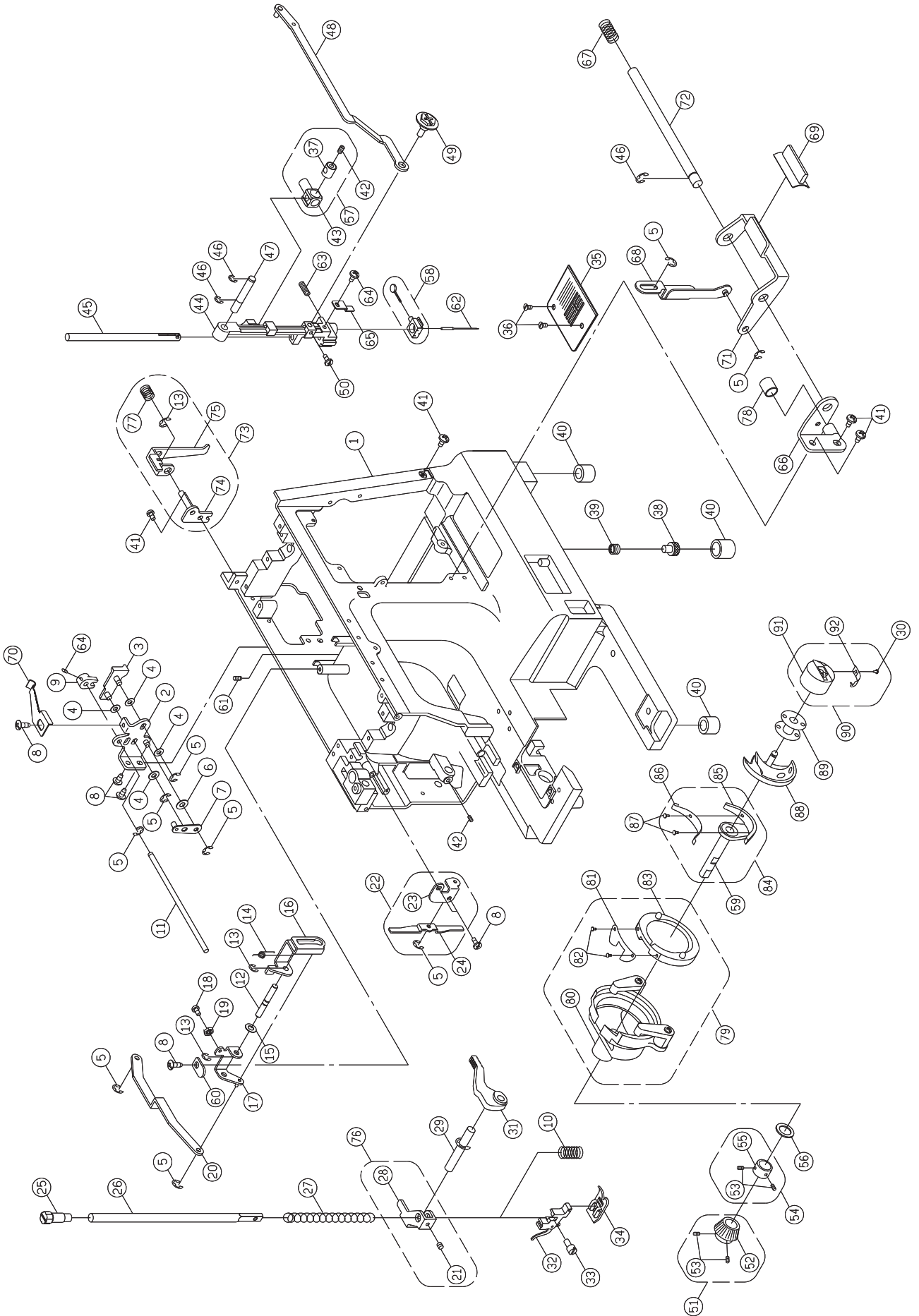


Pos.	Part No.	Description
1	416241601	Back cover
2	270 V61325000	Bobbin winder thread guide
3	416225901	Set screw (9/64×40×7)
4	416228601	Nut (9/64×40)
5	416172501	Thread cutter
6	270 R12453002	Hook cover spring
7	270 G4A0173209	Hook cover
8	270 F4A0643001	Arm top cover thread guide plate
9	416170301	Arm top cover plate
10	416121501	Set screw (M4×8A)
11	416126301	Nut (9/64×40 t=3)
12	416594201	Handle
13	416146601	Bobbin winder stopper
14	416174001	Set screw (9/64×40×16)
15	416242001	Dial tension complete
16	416241901	Dial tension supporter plate cover
17	416171301	Thread guide
18	270 E1A2073000	Thread guide spring
19	416116801	CS-ring (CSTW-4.5)
20	270 V60243002	Dial tension supporter plate
21	416117501	Spring pin (φ3×10×0.6)
22	416594101	Dial tension waft plate
23	416116101	E-Ring (ETW-4)
24	416153601	Dial tension disc (1)
25	416146301	Dial tension disc
26	416156701	Dial tension spring regulator
27	416155901	Dial tension spring
28	416153801	Dial tension regulator
29	416162501	Dial tension spring plate
30	416526901	Dial tension knob
31	416149101	Cap
32	416126001	Washer (WW-5)
33	270 J31413000	Free arm base cushion rubber
34	416121901	Set screw (M4×6 D)
35	416123001	Set screw ( M4 )
36	416121701	Set screw (M4×15B)
37	416151701	Dial tension guide spring tube
38	416593901	Zigzag width dial complete
39	416594001	Zigzag width cam complete
40	270 V61503209	Plate
41	416232601	Zigzag width dial plate
42	270 003043006	Spring pin (φ3×6×0.6)
43	416121101	Set screw (M4×10B)
44	416593801	Front plate
45	416185901	Washer(4.2×9×0.5)
46	416241501	Zigzag width crank
47	416124101	Washer (4.2*8*0.8)
48	416121201	Set screw (M4×6B)
49	416493201	Bobbin winder frame complete
50	270 G4A0935006	Bobbin winder frame
51	270 E3A0153003	Zigzag width crank rod
52	270 V61183000	Feed regulator gear
53	416593701	Feed regulator dial
54	270 004300186	Washer (6.2×12×0.5)
55	416116201	E-Ring (ETW-4)
56	270 F4A0043000	Feed regulator set plate
57	416226601	Set screw (M4×5 B)
58	416169701	Bobbin winder crank complete
59	416149201	Bobbin winder rubber pulley
60	416171201	Bobbin winder crank spring
61	416116301	E-Ring (ETW-5)
62	416243001	Front cover
63	416243201	Face plate
64	416123101	Set screw (M4×12)
65	416242801	Heat resistant plate
66	416186801	Washer (6.5×10.5×1.5)
67	416116001	E-Ring ( ETW-3 )
68	416593601	Free arm base
69	270 G4A0193209	Free arm foot bush
70	416116701	CS-ring (CSTW-5)
71	270 004230216	Set screw (M3×8.5)
72	270 G4A0234209	Sewing table complete
73	See Pos 72	Sewing table body
74	See Pos 72	Sewing table body cover
75	270 G4A0213209	Bottom plate
76	416242901	Motor drive belt cover
77	270 E1A1723003	Motor drive belt cover frame
78	270 004241106	Set screw ( M4×0.7 L25 )
79	416242701	Selector dial
80	416593501	Front plate
81	270 E1A1703209	Adjusting dial
82	416244101	Spool pin plate (fixed)
83	270 004240526	Set screw (M4×10B)

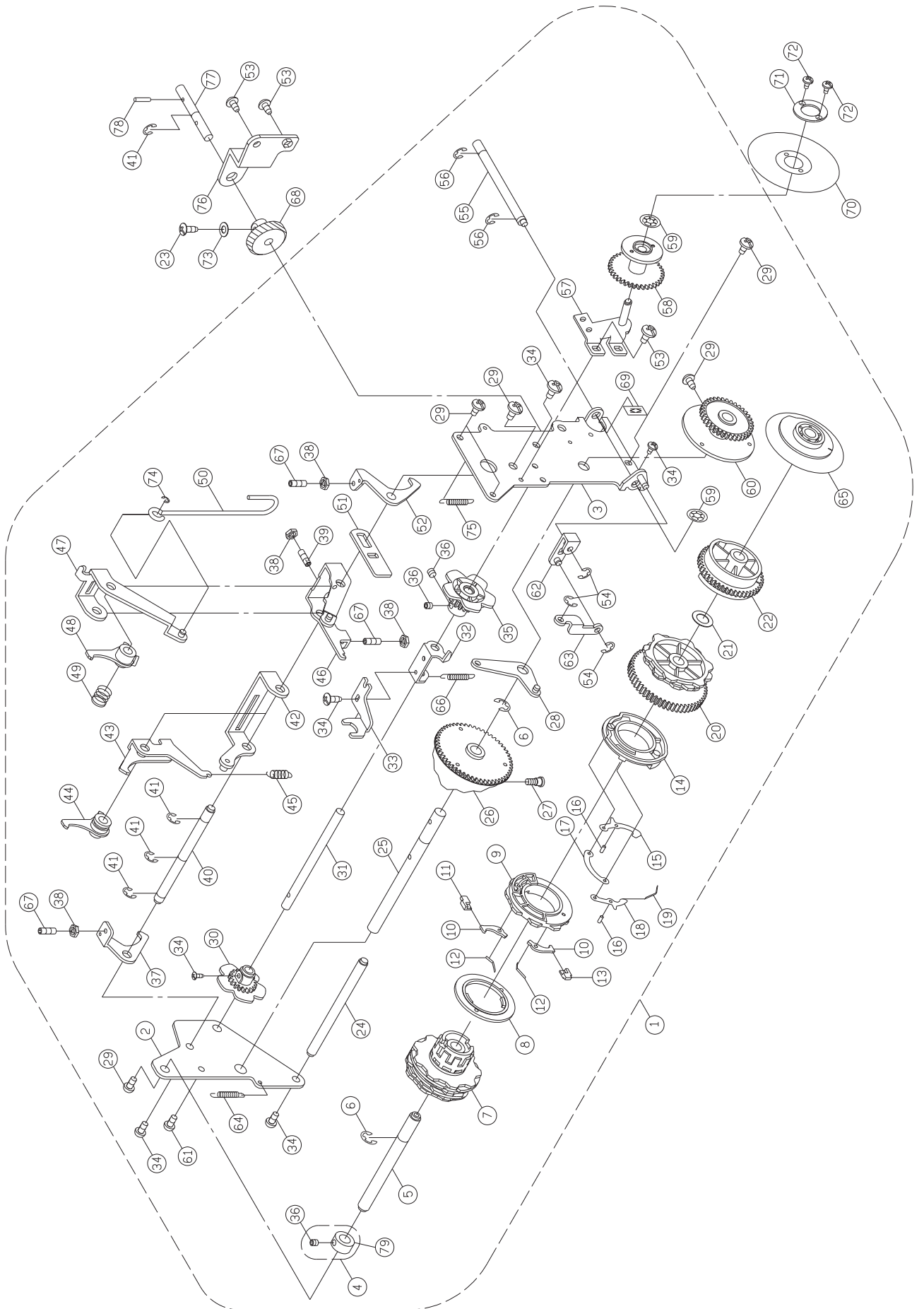
# B



Pos.	Part No.	Description
1	270 E1A2513001	Thread take up lever
2	416157901	Thread take up lever supporter
3	416116101	E-Ring ( ETW-4 )
4	416162201	Thread take up lever supporter
5	416152201	Set washer
6	416121501	Set screw (M4×8A)
7	416158001	Arm shaft balance pin
8	270 V61473000	Arm shaft balance
9	416122101	Set screw (M4×6)
10	416117701	Arm shaft balance pin ( $\phi$ 3.5×24 )
11	416116501	E-Ring ( ETW-9 )
12	416156301	Arm shaft bushing
13	416161701	Arm shaft bushing holder plate
14	416125101	Endure attrition washer
15	270 R10313000	Arm shaft collar
16	416123601	Set screw ( M5×5 )
17	270 G4A0533000	Feed cam
18	416122401	Set screw (M4×4)
19	270 E1A0063000	Arm shaft worm
20	416124701	Washer ( 10.2×15×0.5 )
21	416148501	Arm shaft drive belt pulley
22	416594301	Arm shaft
23	See POS 19	Arm shaft worm complete
24	416117601	Spring pin ( $\phi$ 3×18 )
25	416156601	Arm shaft clutch annulus spring
26	416287701	Arm shaft collar
27	416242501	Hand wheel
28	270 G4A0535000	Feed cam complete
29	270 0042500016	Set screw ( M5×10 )
30	416159201	Hand wheel decorated plate
31	270 007163XXL5	Motor drive belt ( 163XXL 4.8 )
32	See POS 37	Crank connecting rod
33	See POS 37	Crank connecting cover
34	See POS 37	Crank connecting rod cam
35	416121201	Set screw (M4×6B)
36	270 004107063	Set screw (11/64×40 L=12)
37	270 G4A0514000	Crank connecting rod compete
38	270 004600026	Spring washer (4.2×7.2×1.2)
39	270 004107283	Set screw (11/64×40×5)
40	416150101	Needle bar crank rod
41	416156401	Arm shaft collar complete
42	270 0044000020	Endure attrition washer (6.2×12×0.25)



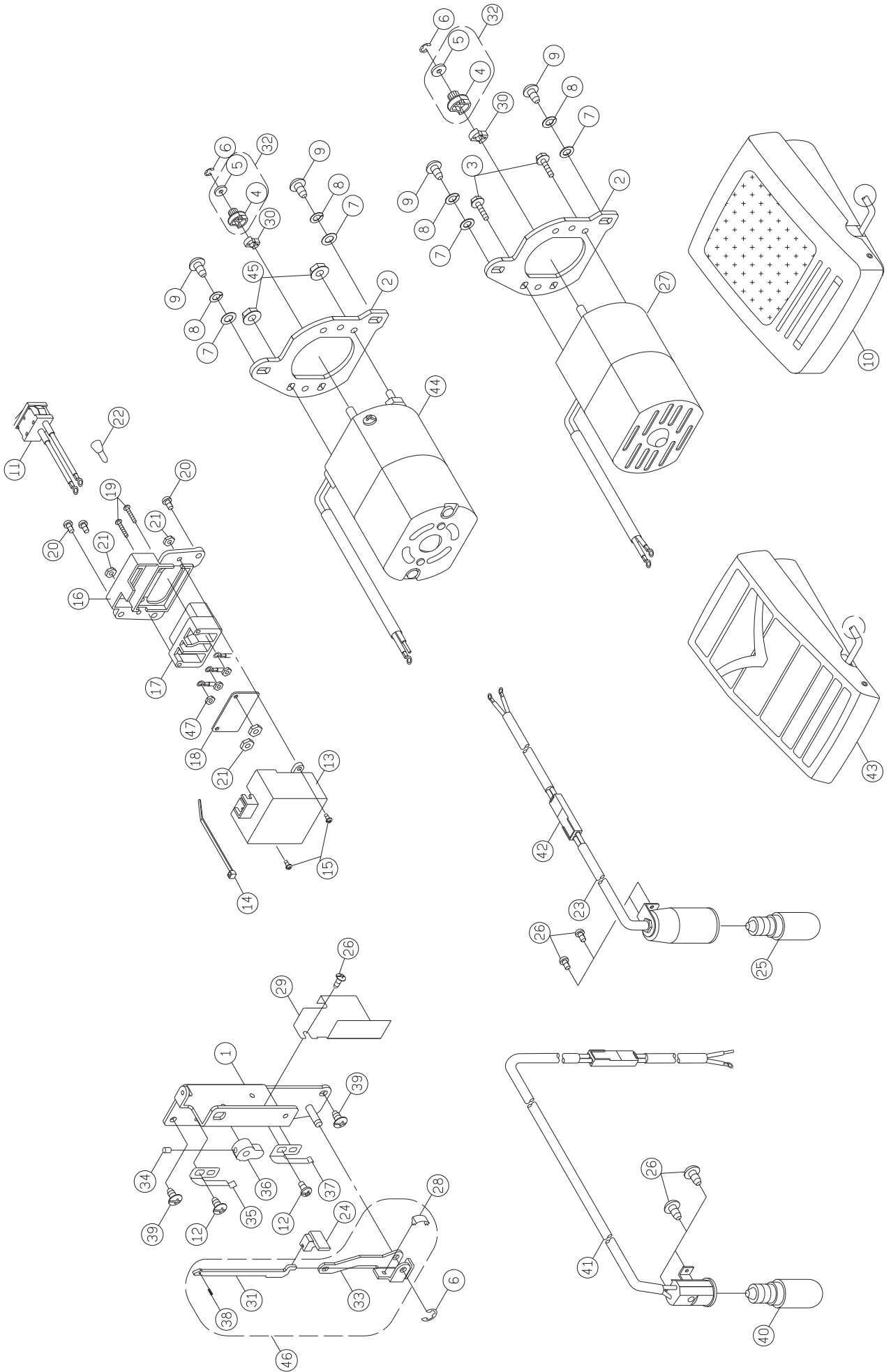
Pos.	Part No.	Description			
2	270 G4A0583003	BH selector plate			
3	270 G4A0623003	BH slide plate			
4	416185901	Washer ( 4.2×9×0.5 )	63	416152701	Needle bar supporter spring
5	416116001	E-Ring ( ETW-3 )	64	416119201	Set screw ( M3×6 A )
6	270 004300693	Washer ( 4.2×12×1.2 )	65	270 G4A0483003	Needle bar stopper plate
7	270 G4A0603003	BH selector plate	66	416234001	Reverse plate
8	416121501	Set screw (M4×8A)	67	416234501	Reverse lever spring
9	270 E1A1423000	BH select crank	68	416234301	Reverse rod
10	416231601	Bobbin case spring set screw	69	416459401	Reverse button
11	270 G4A0573003	BH select crank shaft	70	416238201	BH cam plate
12	270 G4A0793003	Zigzag width regulating cam	71	416242301	Reverse crank
13	416116301	E-Ring ( ETW-5 )	72	416234201	Reverse crank shaft
14	270 V61033003	Zigzag width spring	73	416169901	Clutch rod complete
15	270 004300113	Washer ( 6.7×14×0.8 )	74	416170001	Clutch rod plate
16	270 G4A0763003	Zigzag width regulating cam	75	416170101	Clutch rod
17	270 G4A0773003	Zigzag regulator crank	76	416233901	Presser bar bracket complete
18	416121101	Set screw (M4×10B)	77	416170201	Clutch rod spring
19	416126801	Adjusting nut ( ALN-4 )	78	416234601	Reverse plate roller
20	270 G4A0783003	Rod	79	270 V10995000	Open shuttle race complete
21	270 004240943	Set screw ( M4×8 )	80	See Pos 79	Open shuttle race
22	416238401	Tension lever lifter plate	81	See Pos 79	Shuttle hook holder spring
23	270 G4A0673003	Tension frame	82	416153001	Shuttle hook holder spring screw
24	270 G4A0663003	Tension lever lifter	83	See Pos 79	Shuttle hook holder
25	416171901	Presser bar regulating screw	84	270 K81125000	Shuttle driver complete
26	416140901	Presser bar	85	See Pos 84	Shuttle driver
27	416146901	Presser bar spring	86	See Pos 84	Shuttle driver spring
28	270 F4A0063003	Presser bar bracket	87	See Pos 84	Shuttle driver spring screw
29	270 F4A0053003	Presser bar lifter lever shaft	88	416392101	Shuttle hook
30	See POS 90	Needle bar driving rod pin	89	416392201	Bobbin
31	270 F4A0043000	Presser bar lifter lever	90	416153500	Bobbin case complete
32	416129001	Shank complete	91	See pos 90	Bobbin case
33	416118401	Shank complete set screw	92	270 H13803001	BOBBIN CASE SPRING
34	416128401	Zigzag foot (J)			
35	416237501	Needle plate			
36	416122901	Set screw ( M4×6 )			
37	see POS 57	Needle bar bracket (2)			
38	416154601	Base plate adjustment screw			
39	416154401	Base plate adjustment screw spring			
40	416152901	Free arm base cushion rubber			
41	416121201	Set screw (M4×6B)			
42	416122401	Set screw (M4×4)			
43	see POS 57	Needle bar bracket (1)			
44	416235901	Needle bar supporter			
45	416236901	Needle bar			
46	416183801	E-Ring ( ETW-5 )			
47	270 N80223003	Needle bar supporter pin			
48	270 V60175003	Needle bar driving rod complete			
49	416408701	Bobbin case spring			
50	270 004106202	Set screw ( 9/64×40×7 )			
51	270 G4A1584000	Shuttle driver shaft gear complete			
52	270 G4A1583000	Shuttle driver shaft gear			
53	270 004107293	Set screw (11/64×40×4)			
54	270 H71155000	Shuttle driver shaft collar complete			
55	416153101	Shuttle driver shaft collar			
56	270 004400210	Endure attrition washer (8.6x12x0.5)			
57	416150801	Needle bar bracket complete			
58	416245301	Needle clamp complete			
59	416154101	Shuttle driver shaft			
60	416152201	Set washer			
61	416122101	Set screw (M4×6)			
62	411310501	Needle			



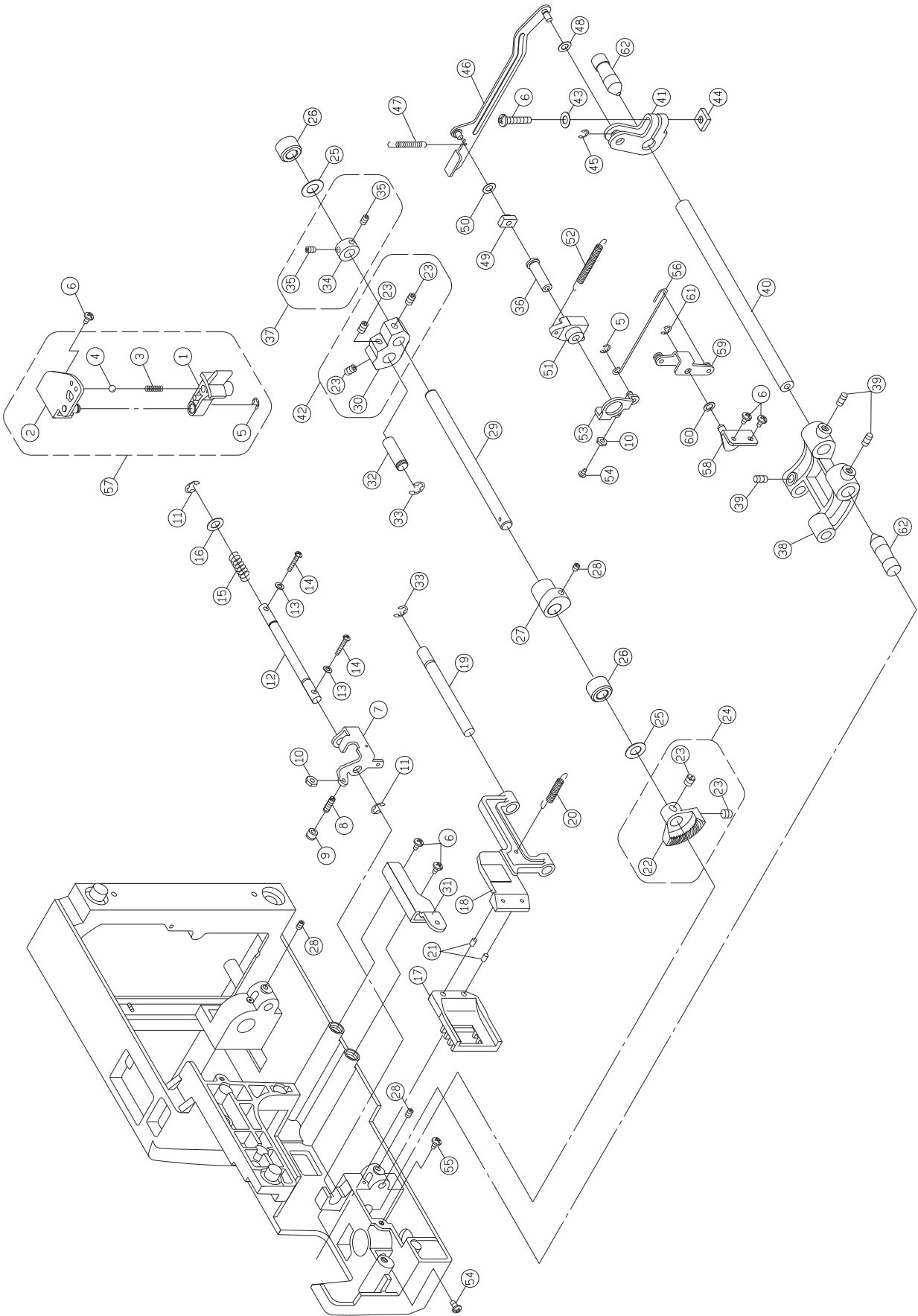


# D

Pos.	Part No.	Description
1	416242401	Pattern cam contact complete
2	See pos 1	Pattern cam contact plate (back)
3	See pos 1	Pattern cam contact plate (front)
4	See pos 1	Pattern cam shaft collar complete
5	See pos 1	Pattern cam shaft
6	See pos 1	E-Ring ( ETW-6 )
7	See pos 1	Pattern cam
8	See pos 1	Straight stitch cam
9	See pos 1	BH cam
10	See pos 1	BH contact
11	See pos 1	BH slide block B
12	See pos 1	BH contact spring plate
13	See pos 1	BH slide block A
14	See pos 1	BH feed regulator cam
15	See pos 1	BH clutch contact A
16	See pos 1	BH clutch shaft
17	See pos 1	BH clutch lever
18	See pos 1	BH clutch contact B
19	See pos 1	BH clutch spring plate
20	See pos 1	SS cam
21	See pos 1	Washer ( 8.2×14×0.5 )
22	See pos 1	Feed regulator cam
23	416119701	Set screw (M3×8)
24	See pos 1	Pattern cam contact supporter
25	See pos 1	Pattern selector cam shaft
26	See pos 1	Pattern selector cam
27	See pos 1	Set screw ( M4 )
28	See pos 1	Pattern selector adjusting lever
29	See pos 1	Set screw (M4×8A)
30	See pos 1	Zigzag cam
31	See pos 1	Pattern selector cam shaft
32	See pos 1	Zigzag movement contact
33	See pos 1	Movement plate
34	See pos 1	Set screw ( M3×6 A )
35	See pos 1	Stretch stitch release
36	See pos 1	Set screw ( M4×4 )
37	See pos 1	Zigzag release plate
38	See pos 1	Adjusting nut ( ALN-4 )
39	See pos 1	Sew screw (M4×0.7 L12)
40	See pos 1	Zigzag cam contact supporter shaft
41	416183801	E-Ring ( ETW-5 )
42	See pos 1	Zigzag cam contact supporter
43	See pos 1	BH Feed crank
44	See pos 1	Zigzag cam contact
45	See pos 1	BH Feed crank spring
46	See pos 1	BH adjusting crank
47	See pos 1	SS cam contact supporter
48	See pos 1	SS cam contact
49	See pos 1	SS cam contact spring
50	See pos 1	Feed rock shaft
51	See pos 1	BH adjusting plate
52	See pos 1	Stretch stitch release plate
53	416121201	Set screw (M4×6B)
54	See pos 1	E-Ring (ETW-3)
55	See pos 1	Adjusting shaft
56	416116101	E-Ring ( ETW-4 )
57	See pos 1	Pattern gear plate
58	See pos 1	Pattern gear
59	See pos 1	CS ring
60	See pos 1	Zigzag selector cam
61	416121101	Set screw (M4×10B)
62	See pos 1	BH adjusting hook holder
63	See pos 1	BH adjusting rod
64	See pos 1	Spring
65	See pos 1	Stretch stitch selector cam
66	See pos 1	Auto threaded lever spring
67	See pos 1	Set screw (M4×0.7 L9)
68	270 F4A3113000	Selector gear
69	See pos 1	Prompt Nut (PSN-4)
70	416243101	Pattern selector plate
71	270 E1A1213006	Pattern selector plate
72	270 004220106	Set screw (M2×0.2 L10)
73	416186101	Washer (3.2×8×0.8)
74	See pos 1	E-Ring (ETW-4)
75	See pos 1	Spring
76	270 F4A3303003	Selector dial plate
77	270 E1A1243006	Selector dial shaft
78	416117301	Spring pin (φ2.5×12)
79	See pos 1	Pattern cam shaft collar

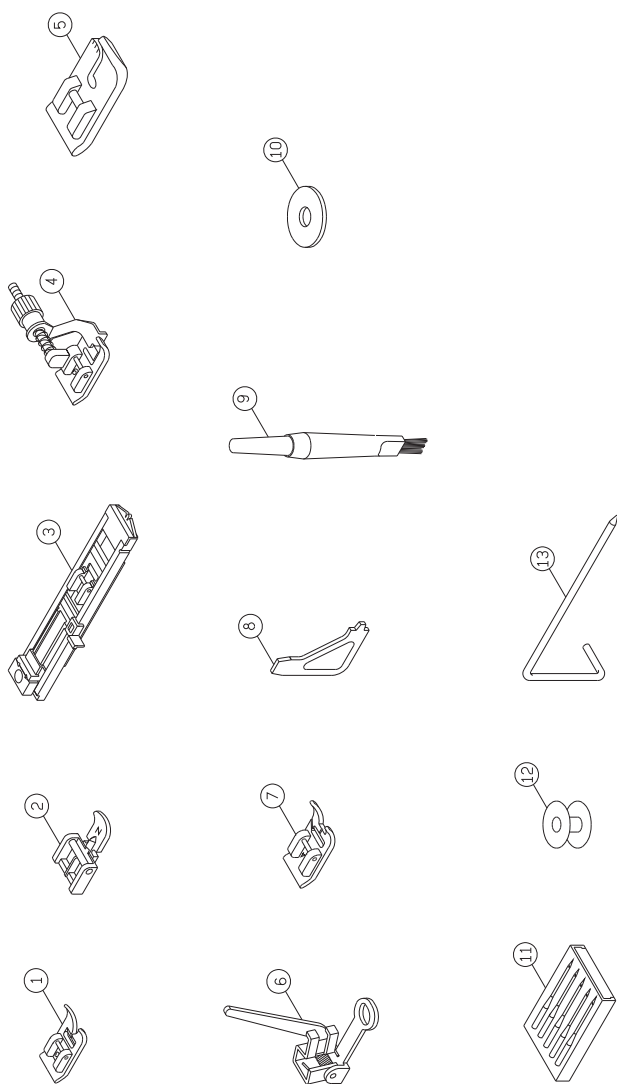


Pos.	Part No.	Description
1	270 G4A0553006	BH lever plate
2	270 002504025	Motor bracket
3	416185201	Set screw (M4x10.2) for 220V-240V
4	270 002396029	Belt wheel
5	416114001	Motor feed regulator collar
6	416116001	E-Ring (ETW-3)
7	416124301	Washer (5.4×10×0.9)
8	416126201	Spring washer (5.2×9×1)
9	416224801	Set screw (M5×12)
10	416183101	Foot controller (KD-2902) for 230V/EU.
10	416183701	Foot controller (KD-2902) for 240V/SAA/AUS
10	416112701	FOOT CONTROLLER (KD-2902) FOR 240V / U.K
11	416115001	Switch ass' y
12	416121201	Set screw (M4×6B)
13	270 E1A1973209	Receptacle holder cover
14	416113901	Cord clip 2.5m/m(100m/m
15	416119701	Set screw (M3×8)
16	270 002252129	Receptacle holder
17	416184701	Receptacle (Z11)
18	416183601	Consent insulation plate
19	416184901	Set screw (M3×20 B)
20	416521501	Set screw (M4×8A)
21	416302901	Nut (M3 t=2.3)
22	416133001	Quick connect
23	416223401	Lamp holder complete for 220-240V
24	416148701	BH lever button
25	416127001	Lamp (15W E-14) for 240V
26	270 004230056	Set screw (M3×5 B)
27	416430001	Motor complete HF-07250 for 230V /EU.
28	416310401	BH lever spring plate
29	270 E1A2373000	Shield
30	416129401	Cushion rubber
31	270 G4A0563002	BH lever
32	416114501	Belt wheel complete
33	270 G4A0563002	BH lever crank
34	416120001	Set screw (M3×3)
35	270 E1A1523003	BH positioned plate
36	416231801	BH movement crank
37	416232001	BH positioned plate
38	270 003041605	Spring pin (ø1.6×5)
39	416121501	SET SCREW(M4×8A)
40	416126901	Lamp (10W) for 120V
41	N/S	Lamp holder complete for 120V
42	416114901	Lead wire ass' y for 220V~240V
43	416183301	Foot controller (KD-1902) for 120V/U.S.A.
44	270 001351109	Motor complete HF-07150 for 120V /U.S.A
45	416528501	Nut (M4 t=5.5)
46	416594401	BH lever crank complete
47	270 004840120	NUT (M3 T=4)



Pos.	Part No.	Description
1	270 G4A0313209	Feed dog lifting rod
2	270 G4A1003003	Feed lifting shaft crank
3	270 H10483003	Presser bar regulating spring
4	416415501	Steel ball
5	270 003010046	E-Ring ( ETW-4 )
6	416121501	Set screw (M4×8A)
7	416594501	Feed rock crank
8	270 004250323	Set screw ( M4×7 )
9	270 K81243000	Set screw knob
10	416126801	Adjusting nut ( ALN-4 )
11	270 003010073	E-Ring (ETW-7)
12	270 G4A1023003	Feed rock shaft
13	416124101	Washer (4.2×8×0.8)
14	416121701	Set screw (M4×15B)
15	270 K81263003	Feed lifting rock shaft spring
16	270 004300226	E-Ring (8.2×16×1)
17	416244001	Feed dog
18	416240301	Feed dog frame
19	416243901	Feed dog shaft
20	416244701	Feed dog frame spring
21	416118201	Set screw (1/8×44 L=5)
22	270 G4A1573000	Lower shaft gear
23	270 004250203	Set screw (M5*5)
24	416245801	Lower shaft gear complete
25	270 004400210	Endure attrition washer
26	416594601	Lower shaft bushing (1)
27	270 G4A1253000	Feed lifting rock cam
28	416121001	Set screw (M4×5)
29	270 G4A0083000	Lower shaft
30	416162901	Crank connecting rod crank
31	416123601	Set screw (M5×5)
32	270 004250203	Crank connecting rod crank pin
33	416116301	E-Ring (ETW-5)
34	See pos 37	Lower shaft collar
35	416122401	Set screw (M4×4)
36	270 V60443000	Feed regulating shaft
37	270 V11564000	Lower shaft bushing (2)
38	416240201	Feed rock frame
39	416122101	Set screw (M4×6)
40	416240101	Feed rock shaft
41	416594701	Feed rock crank
42	270 V60354000	Feed dog lifting rod complete
43	270 004300093	Washer (4×8×0.5)
44	270 004840073	Feed rock crank Nut (M4)
45	416116001	E-Ring (ETW-3)
46	270 G4A1243003	Fork rod
47	270 V60463003	Fork rod spring
48	270 004400450	Endure attrition washer(5.5×12×0.25)
49	270 V11533000	Feed regulating block
50	270 004400180	Washer (5.7×10.5×0.5)
51	270 G4A1163000	Feed regulating
52	270 V70063003	Feed regulating spring
53	416240601	Feed regulating plate complete
54	416121101	Set screw (M4×10B)
55	270 004250151	Set screw (M5×10 B)
56	270 G4A1193003	Feed rock rod (2)
57	416236701	FEED DOG LIFTING ROD COMPLETE
58	270 G4A1223003	Feed rod frame complete
59	270 G4A1203003	Feed rock rod complete (3)
60	270 004300186	Washer (6.2×12×0.5)
61	416116601	E-Ring (ETW-5)
62	270 H70883000	Center bar

# G



## Standard accessories

No.	Part No.	Description
1	416128401	Zigzag foot (J)
2	416128701	Zipper foot (I)
3	270 006Q6A0150	Buttonhole foot
4	416128501	Blind hem foot
5	416129101	Quilting foot(P)
6	416127401	Embroidery foot
7	270 006804008	Satin stitch foot
8	412381501	Screw driver
9	413190401	Brush
	401539901	Seam ripper
10	41612730	Felt cushion
11	411310501	Needle #80x10
12	416392201	Bobbin
13	416127101	Quilting bar
	416530301	SOFTCOVER E-10 - E-20