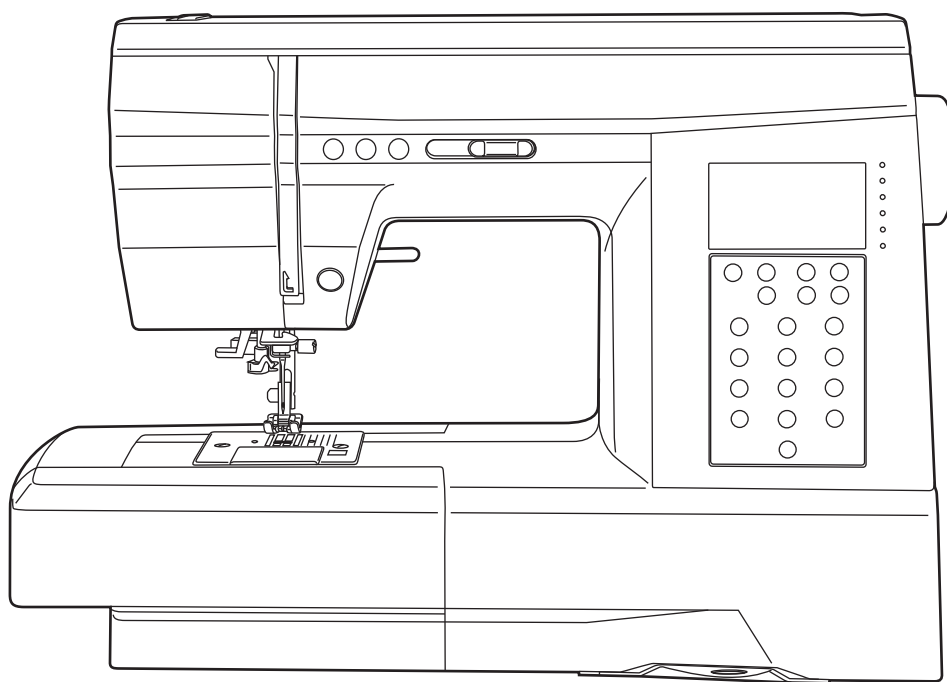
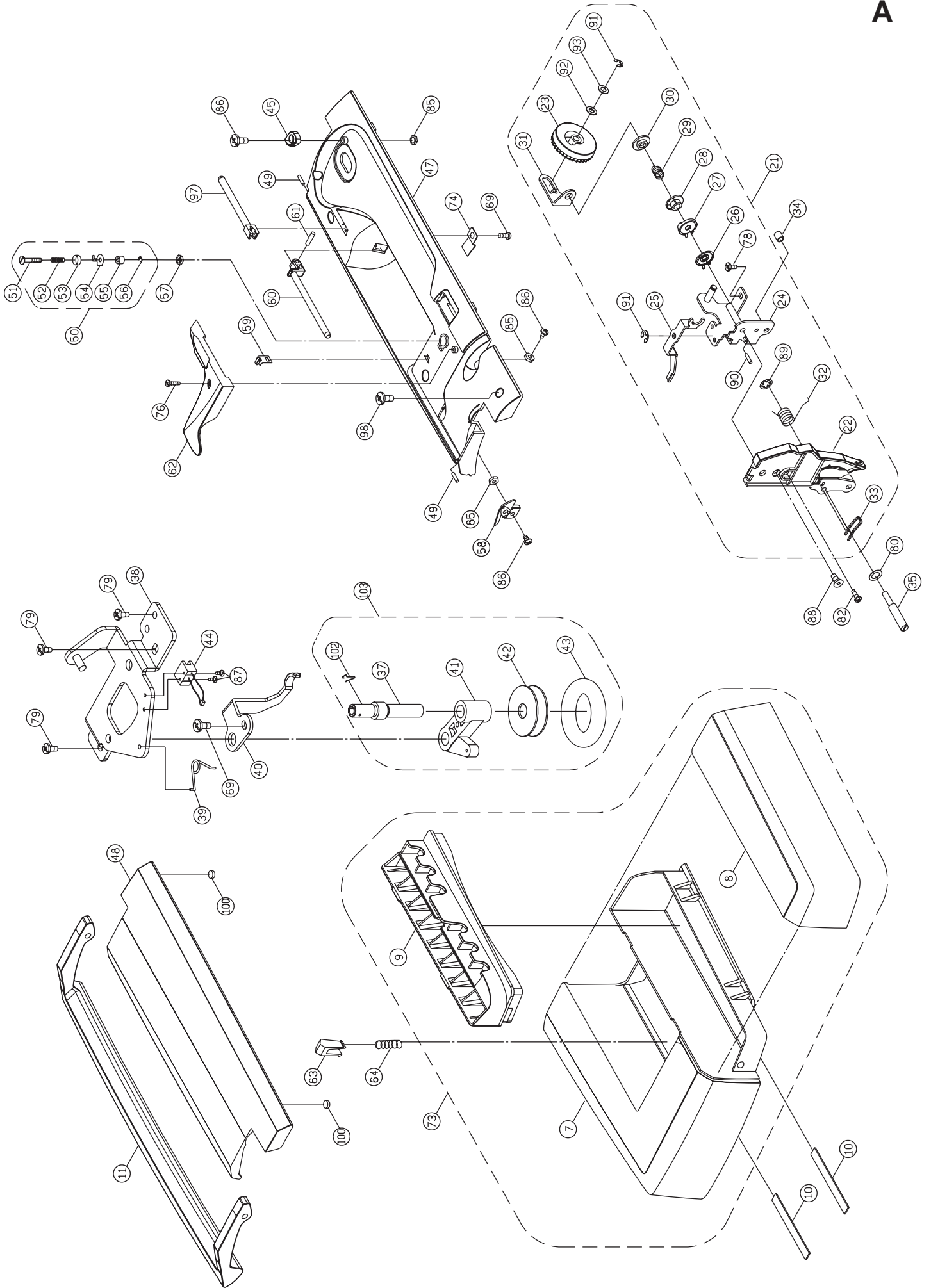


Parts List



Emerald **183**

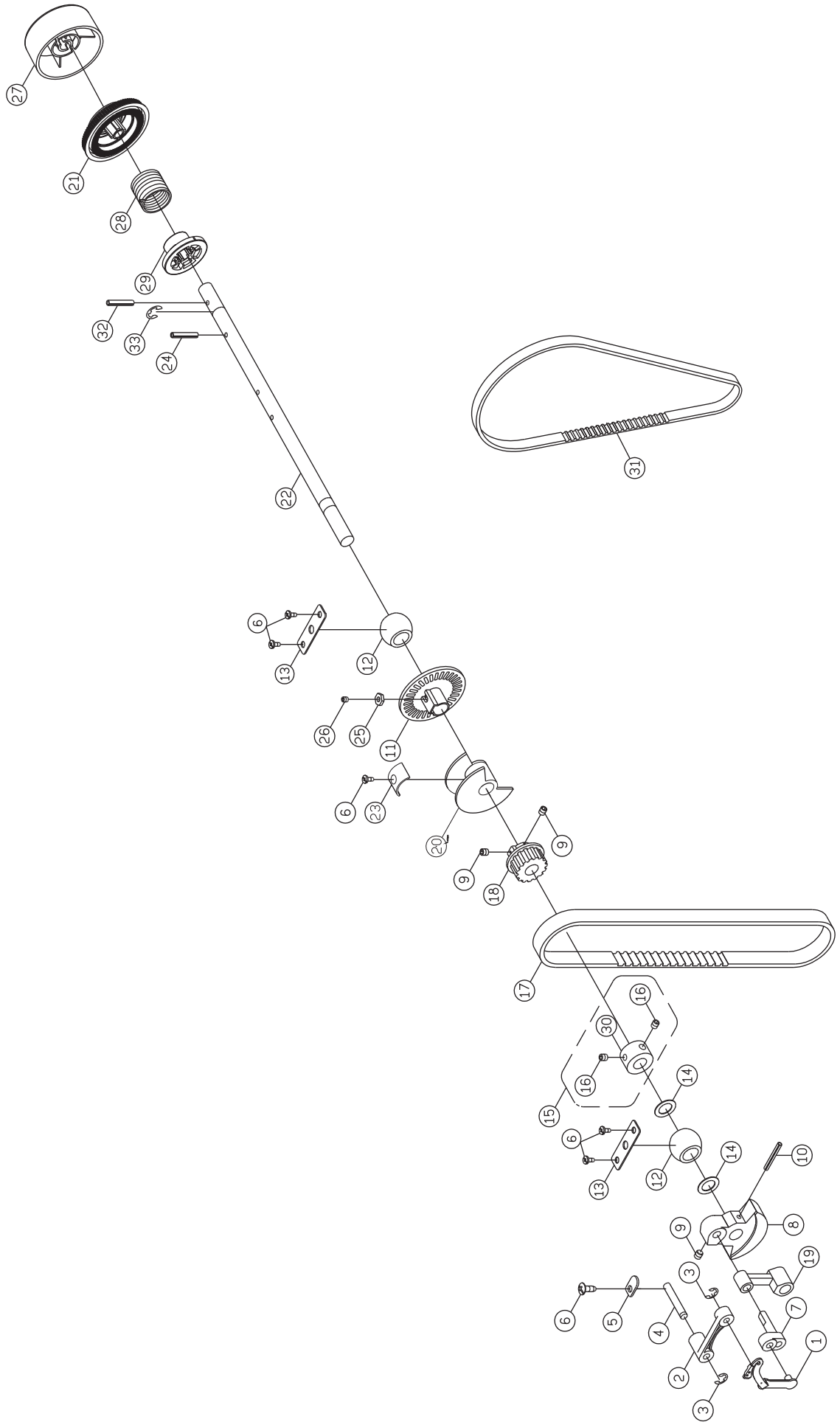


A

NO.	PART NO.	DESCRIPTION
1	N/S	FRONT COVER
2	416357201	BACK COVER
3	N/S	FREE ARM BASE
4	416357801	FACE PLATE
5	416311001	PLUG
6	416172501	THREAD CUTTER
7	416357501	SEWING TABLE BODY
8	416357601	SEWING TABLE BODY COVER
9	416308201	SEWING TABLE BODY BOX
10	N/S	SEWING TABLE BODY FELT
11	416308301	HANDLE
12	N/S	FREE ARM BASE
13	416357401	FREE ARM FOOT BUSH
14	N/S	SLIDE VOLUME KNOB CONNECTOR
15	416308801	SLIDE VOLUME KNOB
16	416333701	PLATE
17	416309901	FUNCTION SET KNOB
18	416309801	NEEDLE/RETURN KNOB
19	416306001	PLATE
20	N/S	ARM TOP COVER THREAD GUIDE PLATE
21	416309701	DIAL TENSION COMPLETE
22	416356101	DIAL TENSION SUPPORTER PLATE COVER
23	416316001	DIAL TENSION KNOB
24	N/S	DIAL TENSION SUPPORTER PLATE
25	416138401	DIAL TENSION WAFT PLATE
26	416146301	DIAL TENSION DISC
27	416153601	DIAL TENSION DISC (1)
28	N/S	DIAL TENSION SPRING REGULATOR
29	416155901	DIAL TENSION SPRING
30	416153801	DIAL TENSION REGULATOR
31	416356301	DIAL TENSION SPRING PLATE
32	416149001	THREAD GUIDE SPRING
33	416171301	THREAD GUIDE
34	416151701	DIAL TENSION GUIDE SPRING TUBE
35	N/S	SET SCREW (M4)
36	416123101	SET SCREW M4*12
37	N/S	BOBBIN WINDER CRANK
38	N/S	BOBBIN WINDER PLATE
39	416309101	BOBBIN WINDER CRANK SPRING
40	N/S	BOBBIN WINDER CLUTCH ROD
41	N/S	BOBBIN WINDER CRANK
42	N/S	BOBBIN WINDER PULLEY
43	N/S	BOBBIN WINDER RUBBER PULLEY
44	N/S	MICRO SWITCH
45	416308901	BOBBIN WINDER STOP
46	N/S	PHOTO SENSOR SUPPORT PLATE
47	416318801	ARM TOP PLATE
48	416318401	ARM TOP COVER
49	416318501	ARM TOP COVER CRANK
50	416311701	BOBBIN WINDER THREAD GUIDE CPL.
51	416148101	BOBBIN WINDER THREAD GUIDE ADJUSTING
52	416148101	BOBBIN WINDER THREAD GUIDE SPRING
53	416148101	BOBBIN WINDER SPRING DISC
54	416148101	BOBBIN WINDER THREAD GUIDE
55	N/S	SPACER

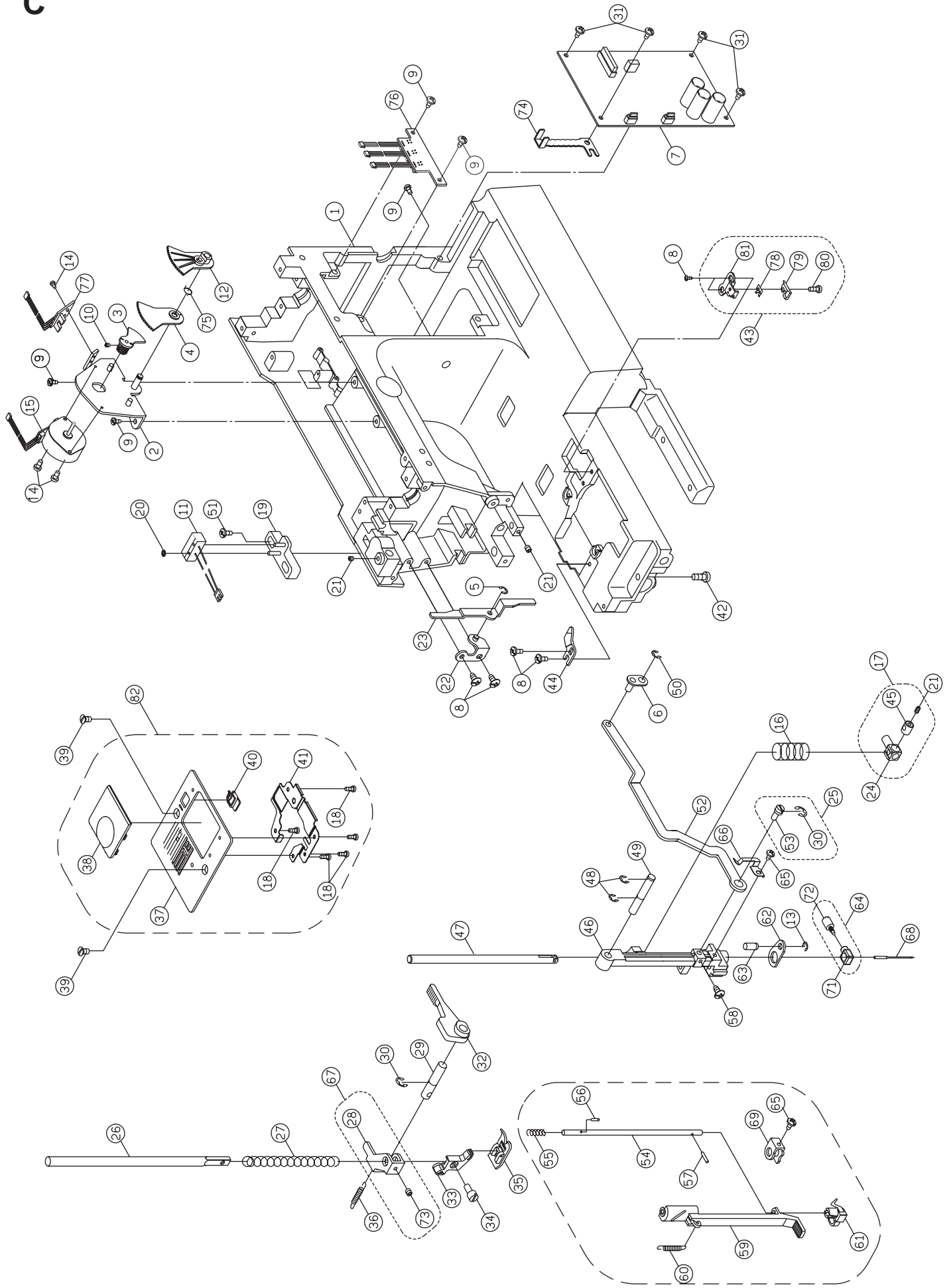
56	416116001	E-RING ETW-3
57	416126801	NUT (ALN-4)
58	416306601	THREAD GUIDE CPL.
59	416145501	THREAD GUIDE
60	416310601	SPOOL ROD
61	416306801	PIN
62	N/S	CONDUCTING WIRE COVER
63	416150601	SEWING TABLE BODY GUIDE
64	N/S	SEWING TABLE BODY GUIDE SPRING
65	416305401	LCD BLACK CONNECTION 28 MM
	416305403	LCD BLACK CONNECTION 23 MM
66	416305501	UP & DOWN FIXED POSITION SWITCH
67	416130301	ROW LINE(1) BLACK 28 MM
	416596001	ROW LINE(1) WHITE 23 MM
68	416144501	ARM BACK COVER SET PLATE
69	N/S	SET SCREW M3*6B
70	416303801	SLIDE VOLUME
71	N/S	FRONT COVER SET PLATE (2)
72	416144401	FRONT COVER SET PLATE
73	416308001	SEWING TABLE CPL.
74	N/S	HOOK COVER SPRING
75	416306401	BH MICRO ADJUSTING KNOB
76	N/S	SET SCREW M2.6*8
77	416116701	CS RING
78	416121201	SET SCREW M4*6B
79	416121501	SET SCREW M4*8A
80	416124101	WASHER(4.2*8*0.8)
81	416121601	SET SCREW M4*12B
82	416121701	SET SCREW M4*15B
83	416120701	SET SCREW M3*12
84	416121101	SET SCREW M4*10B
85	416302901	NUT(M3 T=2.3)
86	N/S	SET SCREW M3*8B
87	416119101	SET SCREW M2*7.5
88	416121901	SET SCREW M4*6
89	416116801	CS RING
90	416117501	PIN
91	416116101	E-RING (ETW-4)
92	416126001	WASHER (WW-5)
93	416124501	WASHER(5.2*10*0.5)
94	N/S	SET SCREW M2.5 L=6
95	416306101	CARD
96	N/S	CARD COVER
97	416308401	SPOOL ROD
98	416119201	SET SCREW M3*6A
99	N/S	SET SCREW M3*8.5A
100	416311701	SPACER
101	N/S	HEAT RESISTANT PLATE
102	416306701	BOBBIN WINDER CRANK SPRING
103	416309101	BOBBIN WINDER CRANK CPL.
104	416311001	PLUG

B



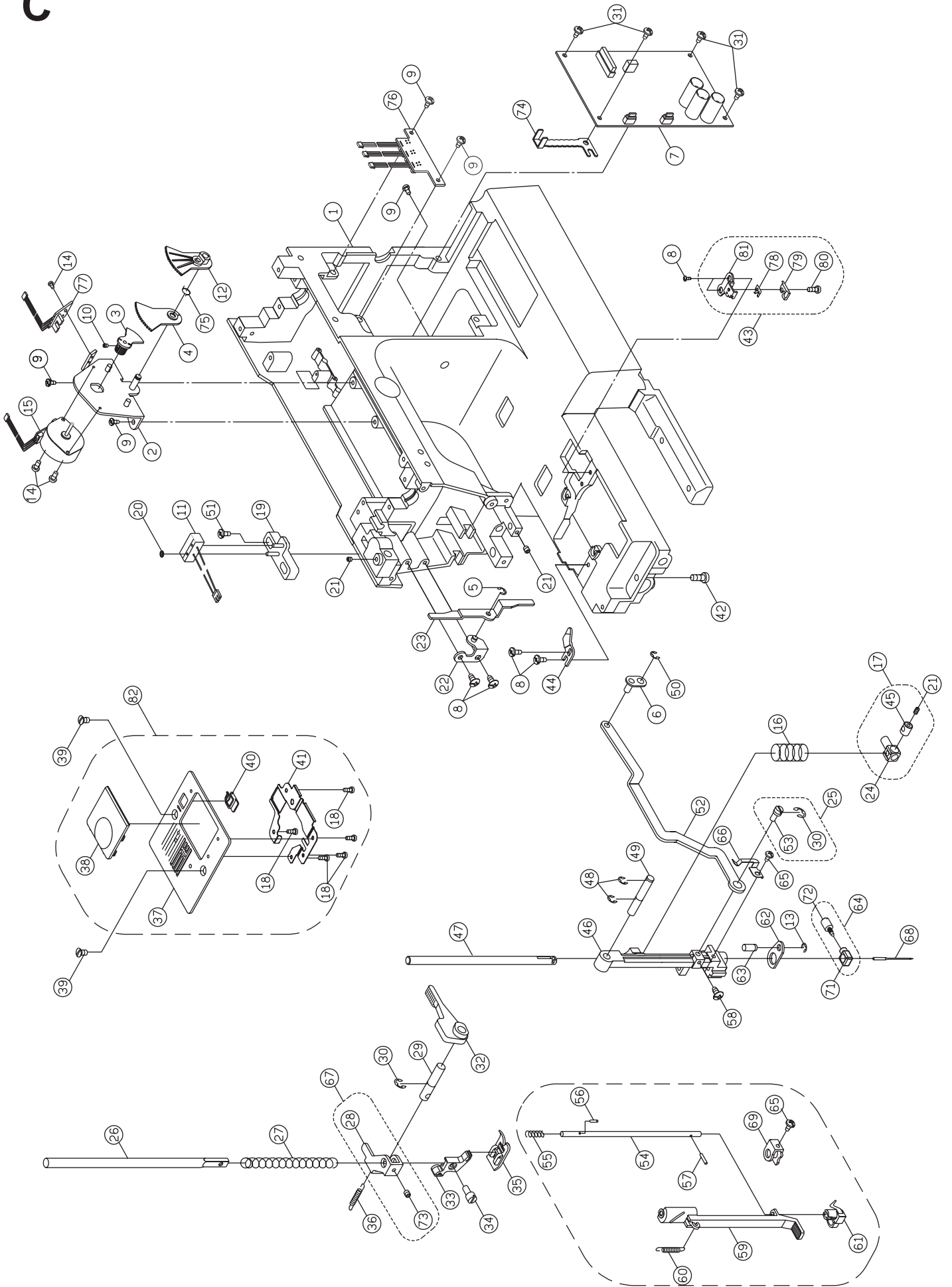
NO.	PART NO.	DESCRIPTION
1	416310701	THREAD TAKE UP LEVER COMPLETE
2	416147701	THREAD TAKE UP LEVER SUPPORTER
3	416116001	E-RING ETW-3
4	N/S	THREAD TAKE UP LEVER SUPPORTER SHAFT
5	416152201	SET WASHER
6	416121501	SET SCREW M4×8A
7	416147801	ARM SHAFT BALANCE PIN COMPLETE
8	N/S	ARM SHAFT BALANCE
9	416122101	SET SCREW (M4×6)
10	N/S	ARM SHAFT BALANCE PIN 3.5×24
11	416129601	REVOLUTION CONTROL PANEL
12	416156301	ARM SHAFT BUSHING
13	N/S	ARM SHAFT BUSHING HOLDER PLATE
14	N/S	ENDURE ATTRITION WASHER
15	N/S	ARM SHAFT COLLAR COMPLETE
16	N/S	SET SCREW M5×5
17	416140501	MOTOR DRIVE BELT
18	416150001	ARM SHAFT SPROCKET
19	416150101	NEEDLE BAR CRANK ROD
20	N/S	ROTARY SENSOR COLLAR
21	416309301	ARM SHAFT DRIVE BELT PULLEY
	416355501	ARM SHAFT DRIVE BELT PULLEY FROM S/N 1103619955
22	N/S	ARM SHAFT
23	N/S	ARC WASHER
24	N/S	SPRING PIN 3×28
25	N/S	NUT (M4 T=3)
26	416121001	SET SCREW (M4×5)
27	416308501	HAND WHEEL
28	N/S	ARM SHAFT CLUTCH ANNULUS SPRING
29	416307201	ARM SHAFT COLLAR
30	416156501	ARM SHAFT COLLAR
31	416129301	MOTOR DRIVE BELT163XXL6.1
	416355601	MOTOR DRIVE BELT (2M-516) FROM S/N 1103619955
32	N/S	SPRING PIN 3×30
33	N/S	E-RING ETW-8

C



NO.	PART NO.	DESCRIPTION
1	N/S	ARM
2	N/S	ZIG ZAG PULSE MOTOR PLATE
3	416133601	PULSE MOTOR GEAR
4	416133701	ZIGZAG CRANK (1)
5	416116001	E-RING ETW-3
6	N/S	NEEDLE BAR DRIVING ROD PLATE
7	416305301	MAIN CIRCUIT BOARD ,cable connection is Black and 28 mm in size For Feed stepmotor with cogsegment sensor
	416305302	MAIN CIRCUIT BOARD ,cable connection is Black and 28 mm in size For Feed stepmotor with disc sensor
	416305303	MAIN CIRCUIT BOARD ,cable connection is Grey and 23 mm in size For Feed stepmotor with disc sensor
8	416121201	SET SCREW M4*6B
9	416121501	SET SCREW M4*8A
10	416120001	SET SCREW M3*3
11	416303701	MICRO SWITCH CPL.
12	416133801	ZIG ZAG CRANK (2)
13	416116101	E-RING ETW-4
14	416120601	SET SCREW M3*5A
15	416303901	PULSE MOTOR
16	N/S	TENSION LEVER LIFTER SPRING
17	416150801	NEEDLE BAR BRACKET CPL.
18	416182901	SET SCREW SM3/32*56 L2.3
19	N/S	MICRO SWITCH SEAT(2)
20	N/S	CS RING (CSTW-2)
21	416122401	SET SCREW M4*4
22	416141401	MOVEMENT PLATE SUPPORTER (1)
23	416141401	MOVEMENT PLATE SUPPORTER
24	416150801	NEEDLE BAR BRACKET (1)
25	N/S	NEEDLE BAR DRIVING ROD PIN CPL.
26	416307801	PRESSER BAR
27	N/S	PRESSER BAR SPRING
28	N/S	PRESSER BAR BRACKET
29	N/S	PRESSER BAR LIFTER LEVER SHAFT
30	416116301	E-RING ETW-5
31	416121601	SET SCREW M4*12
32	416141101	PRESSER BAR LIFTER LEVER
33	416304001	SHANK CPL.
34	416302801	SHANK CPL. SET SCREW
35	N/S	ZIG ZAG PRESSER FOOT CPL.
36	416146201	PRESSER BAR BRACKET SPRING
37	416307901	NEEDLE PLATE CPL.
38	416309501	NEEDLE PLATE COVER
39	416122901	SET SCREW M4*6
40	416155201	NEEDLE PLATE COVER OPEN
41	416147401	NEEDLE PLATE SUPPORTER
42	N/S	SET SCREW M3*12B
43	416143901	ROTARY HOOK PLATE CPL.
44	416144001	ROTARY HOOK PLATE
45	416150801	NEEDLE BAR BRACKET (2)
46	416140601	NEEDLE BAR SUPPORTER
47	416307301	NEEDLE BAR
48	N/S	E-RING ETW-5
49	N/S	NEEDLE BAR SUPPORTER PIN
50	N/S	E-RING ETW-4
51	416121101	SET SCREW (M4*10B)

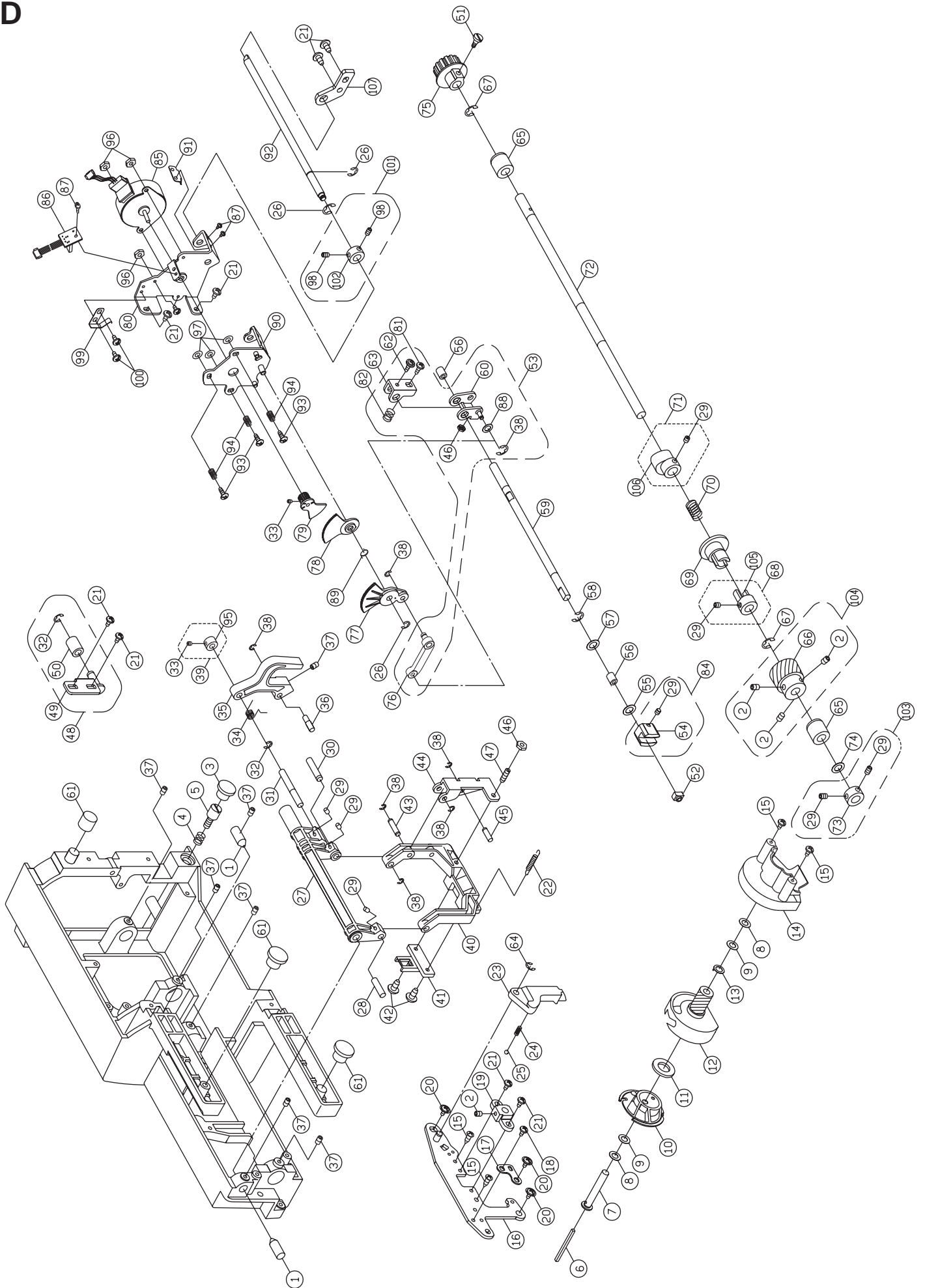
C



Descriptions on picture C, continue.

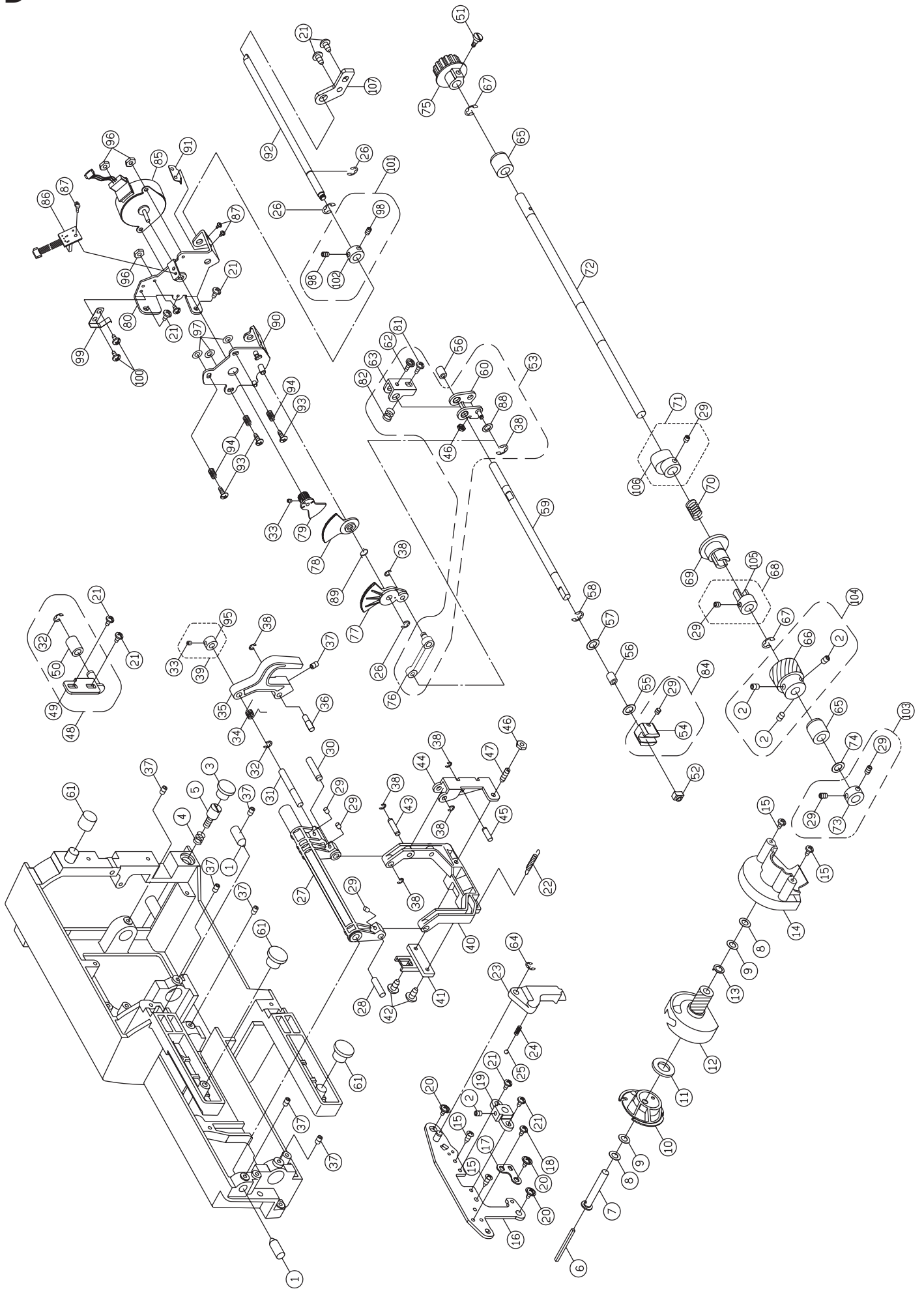
52	N/S	NEEDLE BAR DRIVING ROD
53	N/S	NEEDLE BAR DRIVING ROD PIN
54	N/S	AUTO THREADED SHAFT
55	416157401	AUTO THREADED SHAFT SPRING
56	416117201	SPRING PIN 2*14
57	416117101	SPRING PIN2*6 T=0.4
58	N/S	SET SCREW 9/64*40*5
59	416140801	AUTO THREADED LEVER
60	416155001	AUTO THREADED LEVER SPRING
61	416145801	AUTO THREADED
62	N/S	NEEDLE BAR SUPPORTER PLATE
63	416141301	NEEDLE BAR SUPPORTER PLATE PIN
64	416307401	NEEDLE CLAMP CPL.
65	416119201	SET SCREW M3*6A
66	N/S	NEEDLE BAR DRIVING ROD SPRING PLATE
67	N/S	PRESSER BAR BRACKET CPL.
68	N/S	NEEDLE
69	416154901	AUTO THREADED STOPPER (1)
71	N/S	NEEDLE CLAMP
72	N/S	SET SCREW
73	416121001	SET SCREW (M4*5)
74	416302701	ELECTRIC WIRE PRESS BOARD
75	416133901	CRANK SPRING
76	416303401	PHOTO SENSOR CPL.
77	416303101	PHOTO SENSOR CPL.
78	416143901	ROTARY HOOK PLATE SPRING (2)
79	416143901	ROTARY HOOK PLATE SPRING (1)
80	416119001	SET SCREW (M2*2.5)
81	416143901	ROTARY HOOK PLATE (2)
82	416307901	NEEDLE PLATE CPL.

D



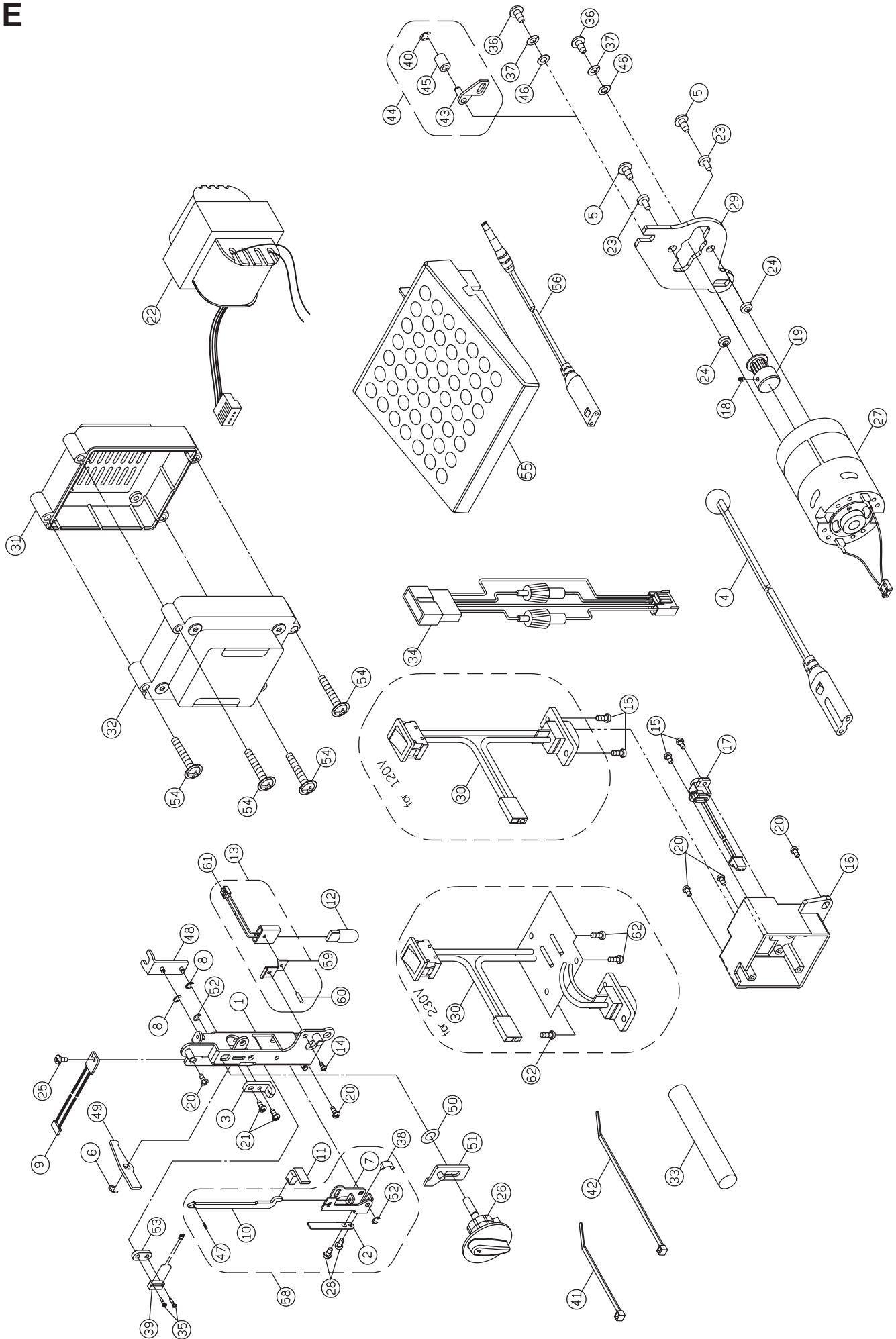
NO.	PART NO.	DESCRIPTION
1	N/S	FEED CRANK SHAFT
2	416121001	SET SCREW M4*5
3	416152901	FREE ARM VASE CUSHION RUBBER
4	416147301	BASE PLATE ADJUSTMENT SCREW SPRING
5	416154601	BASE PLATE ADJUSTMENT SCREW
6	416155801	BOBBIN SHAFT OIL CLOTH
7	416145401	BOBBIN SHAFT
8	416155601	BOBBIN SHAFT WASHER (2)
9	416125901	ENDURE ATTRITION WASHER
10	416148001	SHUTTLE HOOK CPL.
11	416155501	MAGNET
12	416156001	SHUTTLE HOOK HOLDER
13	416155701	BOBBIN SHAFT WASHER (3)
14	416143601	NEEDLE PLATE COVER
15	416119501	SET SCREW M3*12
16	N/S	ROTARY HOOK HOLDER
17	N/S	ROTARY HOOK HOLDER POSITIONED PLATE
18	416121201	SET SCREW M4*6B
19	416143401	ROTARY HOOK SUPPORTER
20	N/S	SET SCREW M4*8
21	416121501	SET SCREW M4*8A
22	N/S	FEED DOG FRAME SPRING
23	N/S	FEED LIFTING SHAFT
24	N/S	FEED LIFTING SHAFT SPRING
25	N/S	STEEL BALL
26	N/S	E-RING ETW-4
27	N/S	FEED ROCK SHAFT
28	N/S	FEED ROCK FRAME SHAFT (2)
29	416122401	SET SCREW M4*4
30	N/S	FEED ROCK FRAME SHAFT (1)
31	N/S	FEED ROCK BUSHING PIN
32	416116101	E-RING ETW-4
33	416120001	SET SCREW (M3*3)
34	N/S	FEED SHAFT SPRING
35	N/S	FEED ROCK CRANK
36	N/S	FEED ROCK CRANK PIN
37	416122101	SET SCREW M4*6
38	416116001	E-RING ETW-3
39	N/S	FEED ROCK SHAFT COLLAR CPL
40	N/S	FEED ROCK FRAME
41	416148201	FEED DOG
42	416118201	SET SCREW SM 1/8*44*5
43	416143001	FEED LIFTING ROCK CRANK PIN (1)
44	N/S	FEED LIFTING ROCK CRANK
45	N/S	FEED LIFTING ROCK CRANK PIN (2)
46	416126801	ADJUSTING NUT (ALN4)
47	416122701	FEED BACK CRANK SCREW
48	N/S	BELT ADJUSTING PLATE CPL.
49	416142401	BELT ADJUSTING PLATE
50	416152001	BELT ADJUSTING PLATE PULLEY
51	N/S	SET SCREW M3*14.5
52	416149601	FEED REGULATING BLOCK
53	N/S	FEED REGULATING PLATE CPL.
54	416149701	FEED REGULATING
55	416125601	ENDURE ATTRITION WASHER
56	416156901	FEED ROCK BUSHING
57	416124001	WASHER 6.7*12*1

D



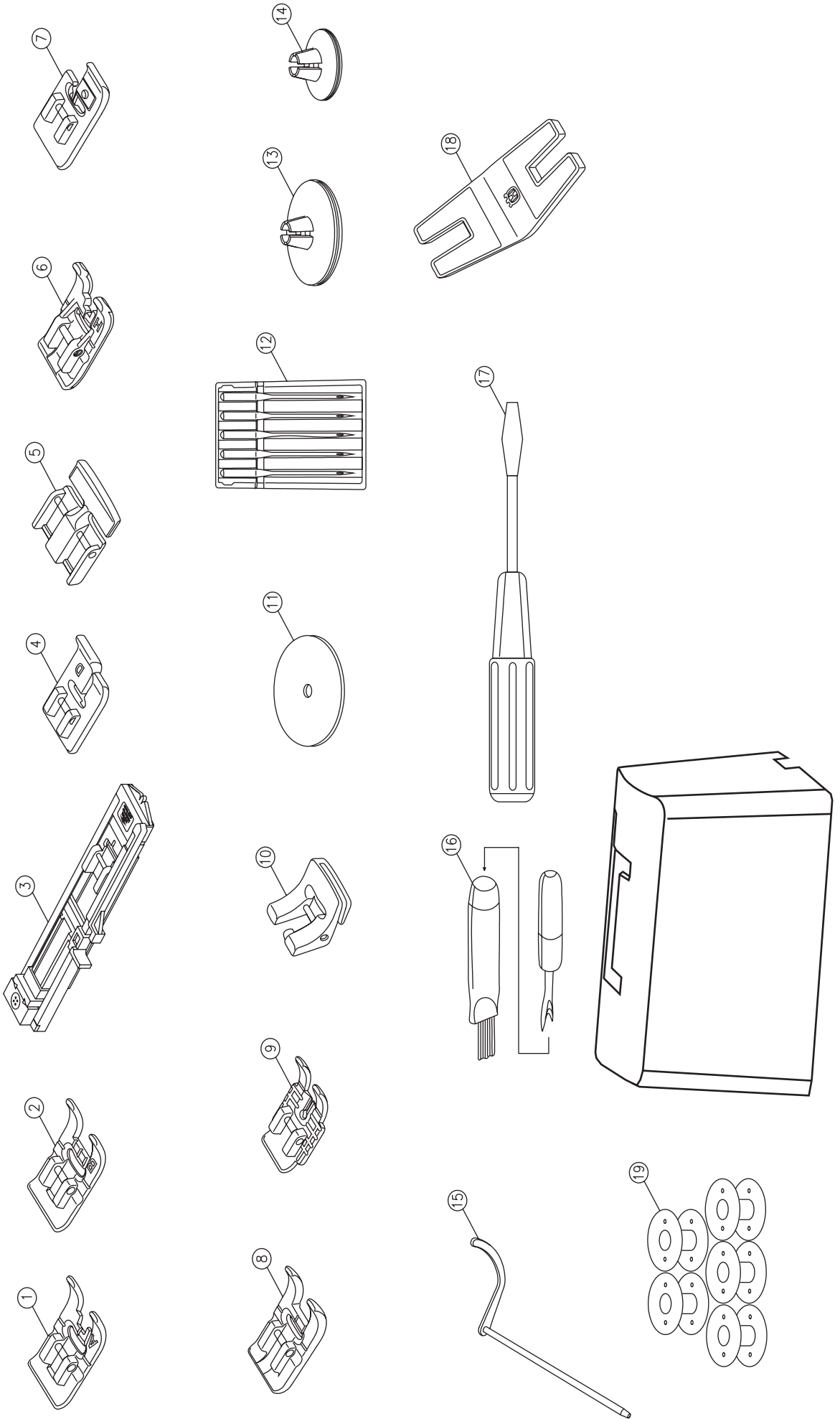
Descriptions on picture D, continue.

NO.	PART NO.	DESCRIPTION
58	416116601	E-RING ETW-5
59	N/S	FEED REGULATING SHAFT
60	N/S	FEED REGULATING CRANK
61	416147001	FREE ARM VASE CUSHION RUBBER
62	N/S	SET SCREW M3*0.5 L12
63	N/S	FEED CRANK
64	N/S	E-RING ETW-4
65	416141701	LOWER SHAFT BUSHING
66	N/S	LOWER SHAFT GEAR
67	416116401	E-RING ETW-6
68	N/S	FEED LIFTING ROCK CAM CPL.
69	N/S	FEED LIFTING ROCK CAM
70	N/S	LOWER SHAFT SPRING
71	N/S	FEED ROCK CAM CPL.
72	416133401	LOWER SHAFT
73	416158801	LOWER SHAFT COLLAR
74	416125801	ENDURE ATTRITION WASHER
75	416142001	LOWER SHAFT BELT PULLEY
76	N/S	FEED ROCK ROD
77	N/S	FEED ROCK CRANK (1)
78	N/S	FEED ROCK CRANK (2)
79	416133601	PULSE MOTOR GEAR
80	N/S	PULSE SUPPORT PLATE
81	N/S	FEED REGULATING CRANK SET SCREW
82	N/S	FEED REGULATING CRANK SPRING
84	N/S	FEED REGULATING CPL.
85	416303901	PULSE MOTOR
86	416303101	PHOTO SENSOR CPL.
87	416120601	SET SCREW (M3*5A)
88	416124101	WASHER (4.2*8*0.8)
89	416133901	ZIGZAG WIDTH FEED ROCK CRANK SPRING
90	N/S	FEED ROCK PLATE
91	N/S	FEED ROCK SHAFT STRESS PLATE
92	N/S	FEED ROCK SHAFT
93	N/S	SET SCREW
94	N/S	PULSE MOTOR SPRING
95	N/S	FEED ROCK SHAFT COLLAR
96	416302901	NUT (M3 T=2.3)
97	N/S	WASHER (4*8*0.5)
98	N/S	SET SCREW (M4*3)
99	N/S	FEED ROCK STRESS PLATE
100	N/S	SET SCREW (M3*5B)
101	N/S	LOWER SHAFT COLLAR CPL.
102	N/S	LOWER SHAFT COLLAR
103	416158801	LOWER SHAFT COLLAR CPL.
104	416311501	LOWER SHAFT GEAR CPL.
105	416310101	FEED LIFTING ROCK CAM
106	416310301	FEED ROCK CAM
107	N/S	FEED ROCK PLATE
108	416358201	FEED STEP MOTOR UNIT CPL. (# 78100) NEW VERSION FROM SERIAL NUMBER 1105223980 CAN ONLY BE USED TOGHETER WITH 416305302 MAIN CIRCUIT BOARD V28.6



NO.	PART NO.	DESCRIPTION			
1	N/S	BH LEVER PLATE	49	N/S	PRESSURE PLATE CRANK
2	N/S	BH LEVER CRANK SPRING	50	N/S	WASHER (5.2*10*0.2)
3	N/S	BH MOVEMENT CRANK	51	N/S	PRESSURE PLATE
4	412157903	SUPPLY CORD 120V	52	N/S	E-RING (ETW-4)
4	412157902	SUPPLY CORD 120VJAP	53	N/S	MICRO SWITCH SET
4	412157801	SUPPLY CORD 230V	54	N/S	SET SCREW M4*0.7 L=50
4	412158002	SUPPLY CORD UK	55	412773401	FOOT CONTROLLER
4	412158101	SUPPLY CORD AUS	56	413021501	SUPPLY CORD
5	N/S	SET SCREW M3*10	58	N/S	BH LEVER CRANK CPL.
6	416186501	WASHER (8.2*12*0.5)	59	N/S	LAMP RECEPTACLE
7	N/S	BH LEVER CRANK	60	N/S	PIN
8	416116001	E-RING ETW-3	61	N/S	SUPPLY CORD
9	416303201	PHOTO SENSOR CPL.	62	N/S	SET SCREW (M3*8B)
10	N/S	BH LEVER			
11	416310901	BH LEVER BUTTON			
12	413181801	LAMP			
13	416309401	LAMP RECEPTACLE CPL.			
14	416119201	SET SCREW M3*6A			
15	N/S	SET SCREW M3*12			
16	N/S	RECEPTACLE HOLDER			
17	416355401	CONTROLLER RECEPTACLE 120 V			
	416355402	CONTROLLER RECEPTACLE 220 V			
18	416 120 101	SET SCREW (M3*3)			
19	416115901	MOTOR WHEEL			
	416358001	MOTOR WHEEL FROM S/N 1103619955			
20	416121501	SET SCREW M4*8A			
21	N/S	SET SCREW M3*5A			
22	416312101	TRANCE FORMER (FOR 120V)			
22	416312201	TRANCE FORMER (FOR 230V)			
23	N/S	INSULATION SPACER			
24	N/S	INSULATION SPACER			
25	416120601	SET SCREW M3*0.5*5A			
26	N/S	PRESSURE ADJUSTING BUTTON			
27	416113501	DC MOTOR CPL.			
28	N/S	SET SCREW M3*5B			
29	N/S	MOTOR BRACKET			
30	N/S	SWITCH RECEPTACLE ASS'Y (FOR 120V)			
30	416305701	SWITCH RECEPTACLE ASS'Y (FOR 230V)			
31	N/S	TRANCE FORMER COVER (1)			
32	416136801	TRANCE FORMER COVER (2)			
33	N/S	INSULATING SLEEV			
34	416333401	SAFETY WIRE CPL.			
35	N/S	SET SCREW ((M2*10 B)			
36	416224801	SET SCREW (M5*12)			
37	416126201	SPRING WASHER (5.1*9.2*1.3)			
38	N/S	BH SPRING PLATE			
39	416303601	MICRO SWITCH(B/H)			
40	416116101	E-RING (ETW-4)			
41	416113901	CORD CLIP			
42	N/S	CORD CLIP			
43	416136001	BELT ADJUSTING PLATE			
44	416136001	BELT ADJUSTING PLATE CPL.			
45	416152001	BELT ADJUSTING PLATE PULLEY			
46	416124301	WASHER(5.4*10*0.9)			
47	N/S	SPRING PIN (Ø1.6*5)			
48	N/S	PRESSER BAR SPRING HOLDER PLATE			

F



NO.	PART NO.	DESCRIPTION
1	412764001	UTILITY FOOT (A)
2	413113645	PRESSER FOOT (B)
3	416304101	BUTTONHOLE SLIDER FOOT (C)
4	412380445	BLIND HEM FOOT (D)
5	412801545	ZIPPER FOOT (E)
6	412796145	NON STICK GLIDE FOOT (H)
7	412380645	EDGING FOOT (J)
8	413113845	TRANSPARENT FOOT (B)
9	412370845	PIECING FOOT (P)
10	412797145	GATHERING FOOT
11	412610701	FELT PAD
12	N/S	NEEDLE PACK
13	412371102	SPOOL HOLDER (LARGE)
14	412371101	SPOOL HOLDER (SMALL)
15	412601945	EDGE/QUILTIN GUIDE
16	416030401	SEAM RIPPER
	416040901	BRUSH
17	412381501	SCREW DRIVER
18	413105601	CLEARANCE PLATE
19	416127601	BOBBINS
20	416315901	HARD CASE EMERALD 183
21	413036201	OPERATING MANUAL EMERALD 183, SWE
	413036206	OPERATING MANUAL EMERALD 183, DAN
	413240611	OPERATING MANUAL EMERALD 183, FIN
	413240621	OPERATING MANUAL EMERALD 183, NOR
	413240626	OPERATING MANUAL EMERALD 183, ENG
	413036231	OPERATING MANUAL EMERALD 183, FRE
	413240636	OPERATING MANUAL EMERALD 183, DUT
	413036241	OPERATING MANUAL EMERALD 183, ITA
	413036246	OPERATING MANUAL EMERALD 183, SPA
	413036251	OPERATING MANUAL EMERALD 183, GER
	413036256	OPERATING MANUAL EMERALD 183, RUS
	N/S	OPERATING MANUAL EMERALD 183, POL
	N/S	OPERATING MANUAL EMERALD 183, CZE

