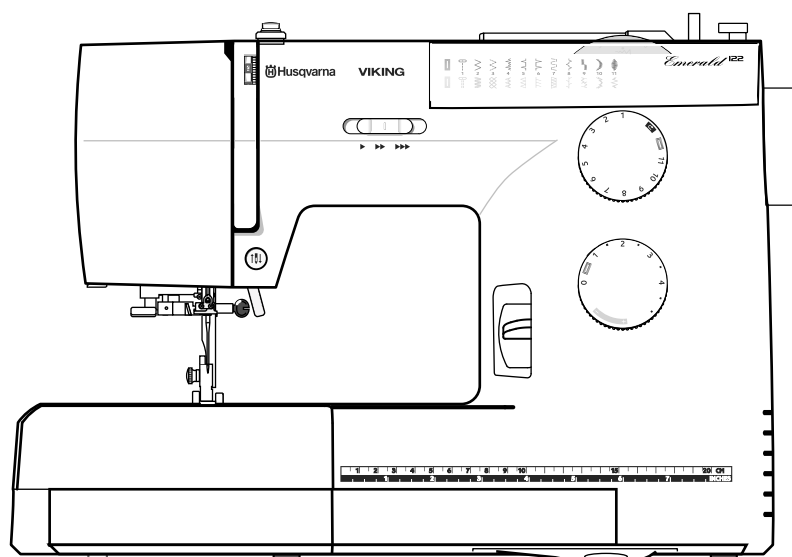


Parts List

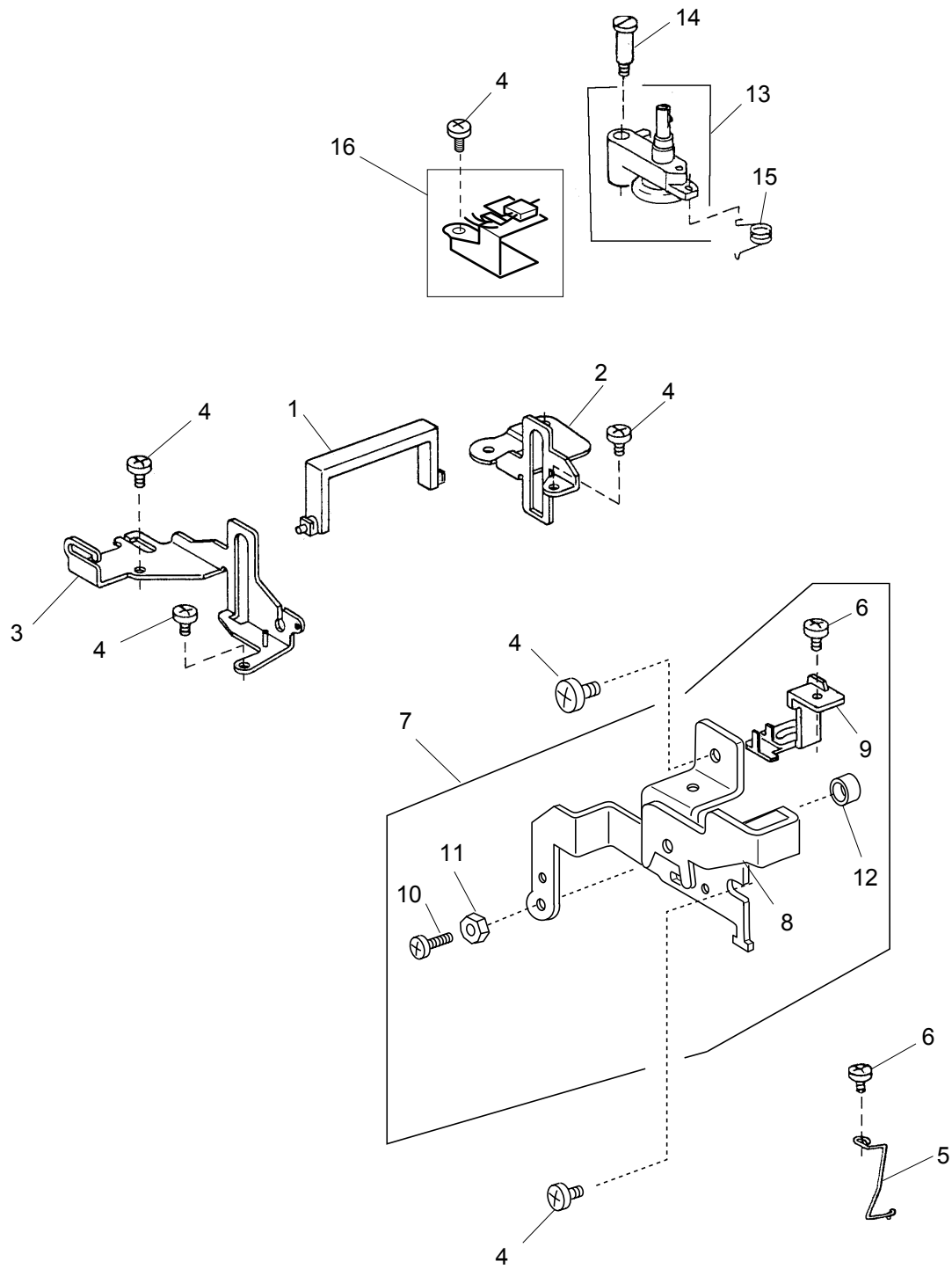


Emerald

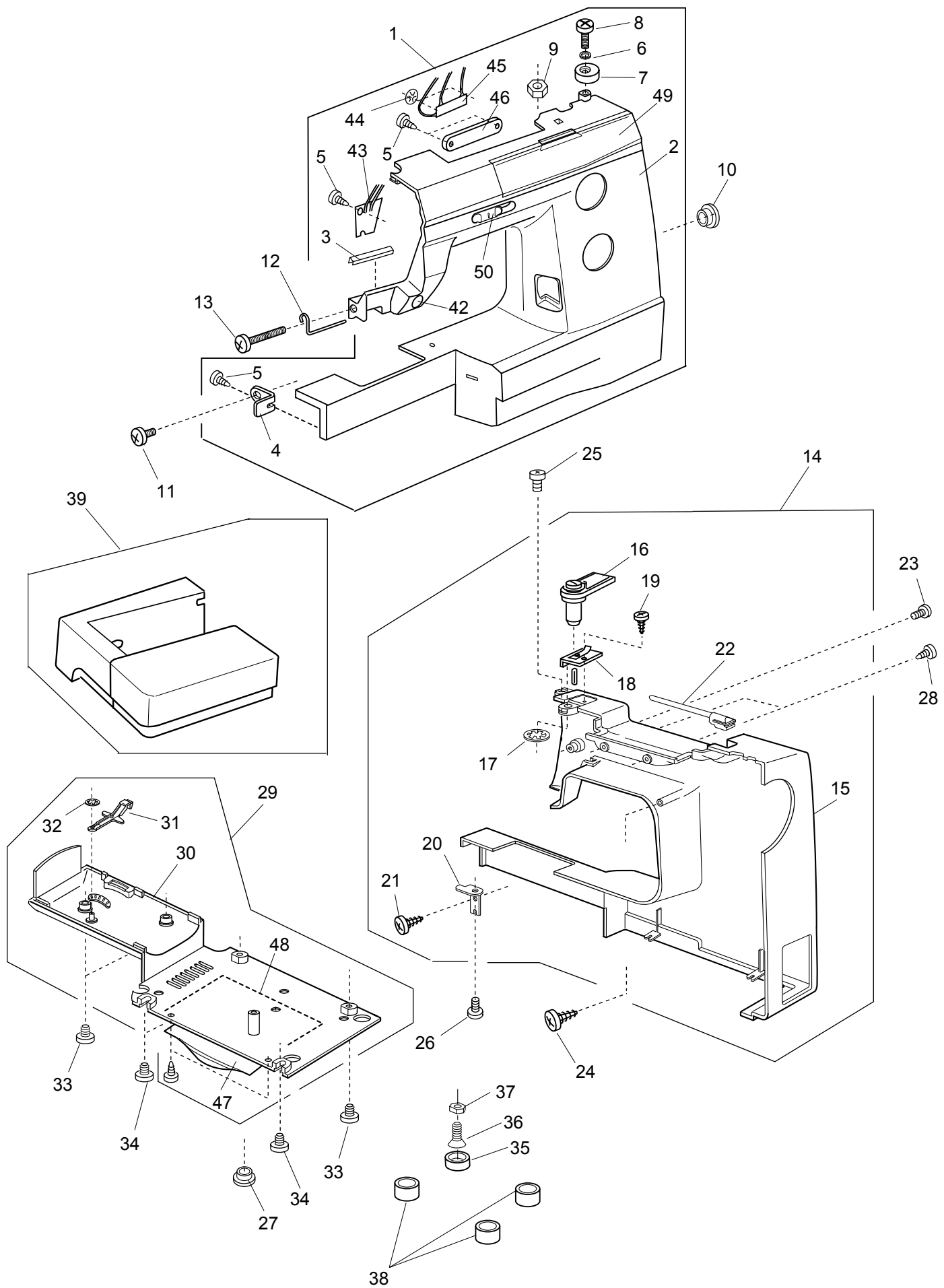
116

118

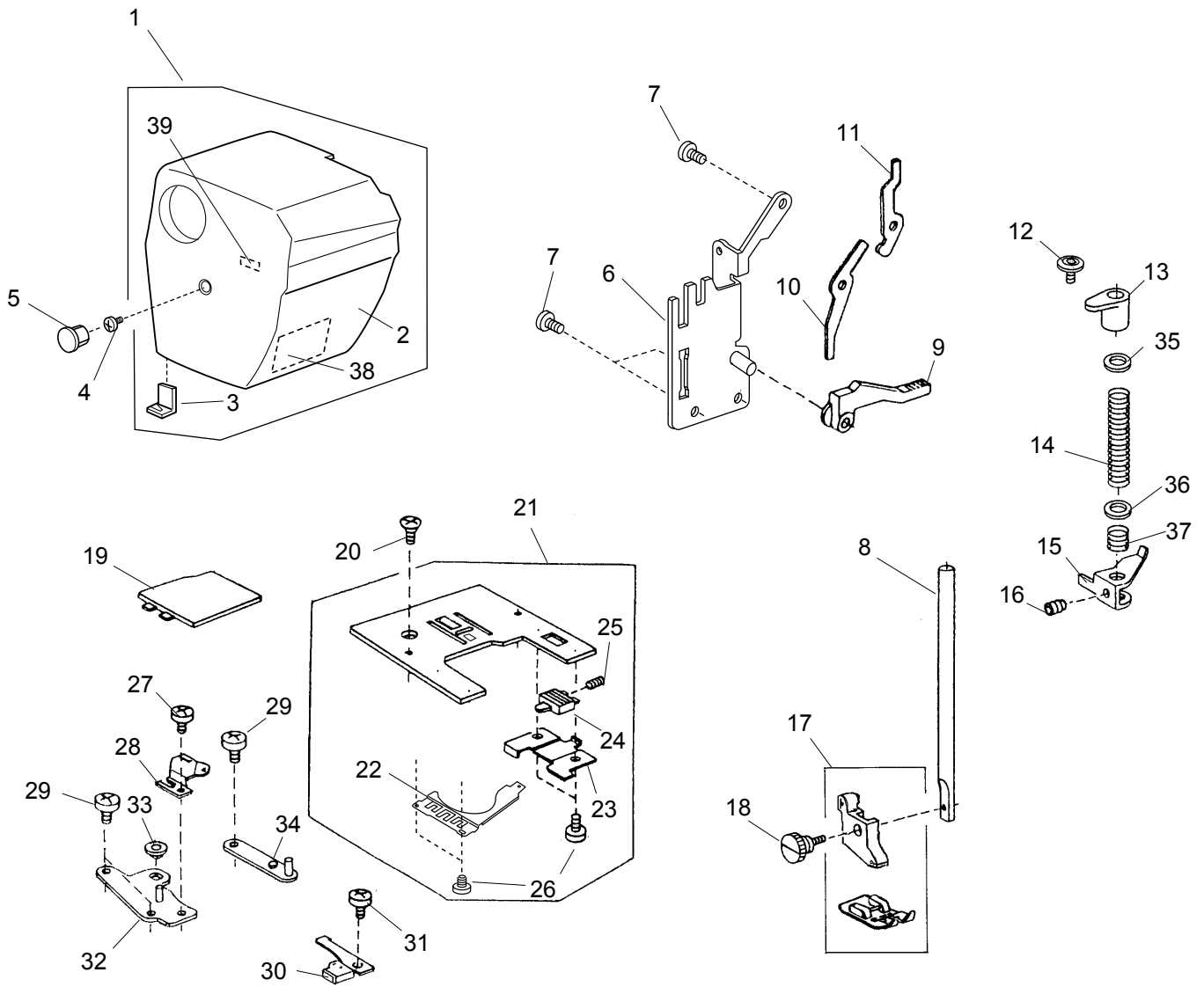
122



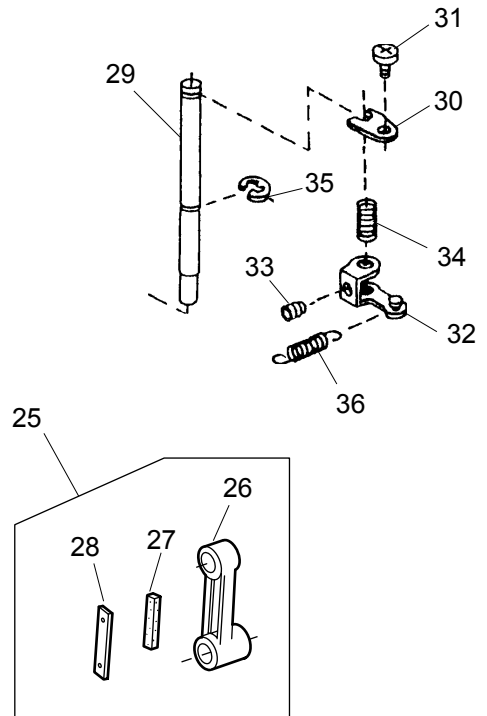
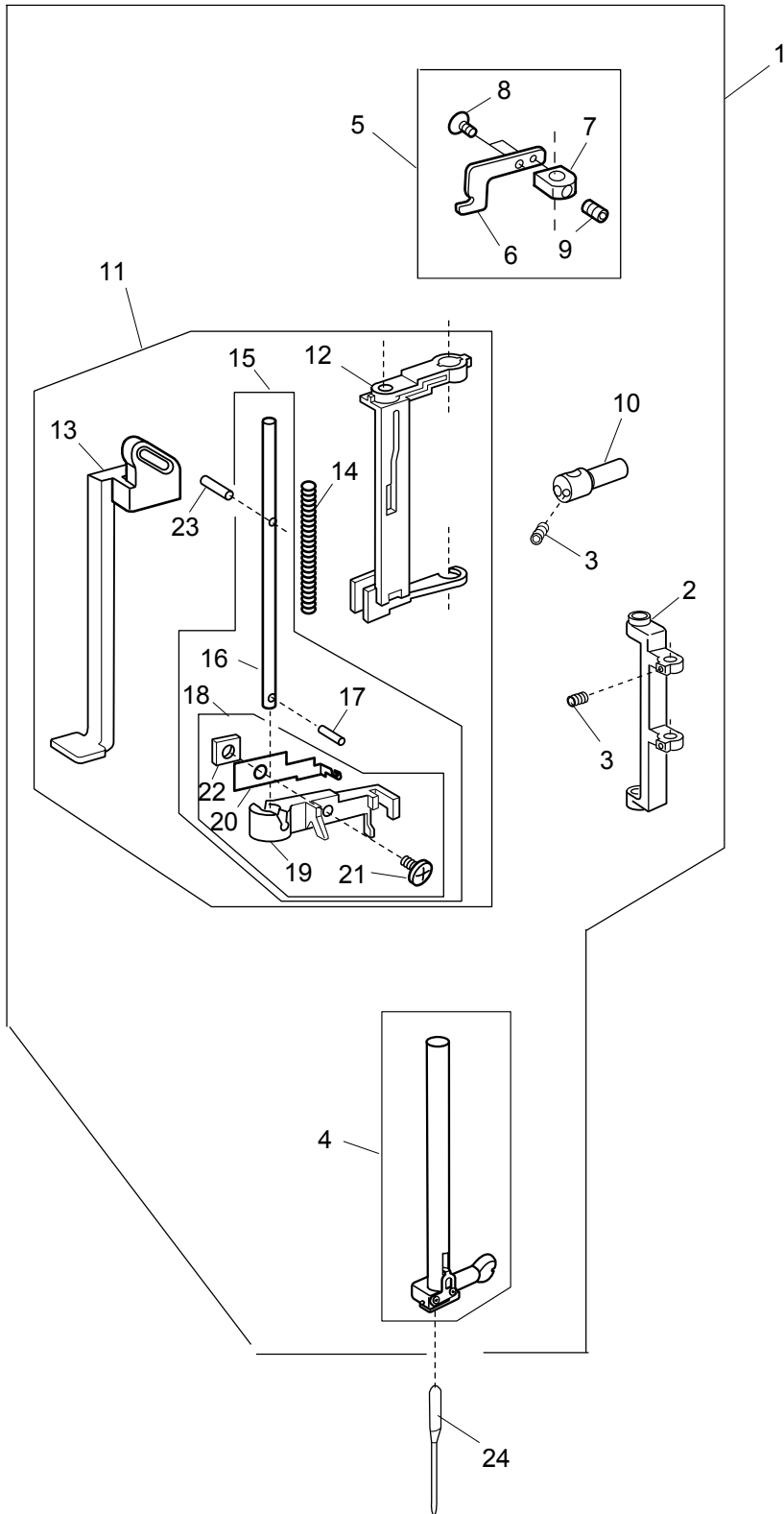
NO.	PART	NO.	DESCRIPTION
1	416 02 32-01		Handle
2	416 03 68-01		Handle supporter (Right)
3	416 03 69-01		Handle supporter (Left)
4	416 01 97-01		Setscrew 4 x 8
5	416 03 32-01		Arm thread guide (2)
6	416 02 03-01		Setscrew 4 x 6
7	416 02 75-01		Face cover bracket unit
8	416 02 75-01		Face cover bracket
9	416 03 65-01		Threader shaft guide (Upper)
10	416 02 10-01		Setscrew 4 x 16
11	416 02 24-01		Adjustable lock nut 4
12	416 03 42-01		Needle bar supporter stopper
13	416 03 35-01		Bobbin winder unit
14	416 03 30-01		Hinge screw
15	416 04 28-01		Bobbin winder spring
16	416 22 52-01		Switch base plate unit (Model 122, 118)



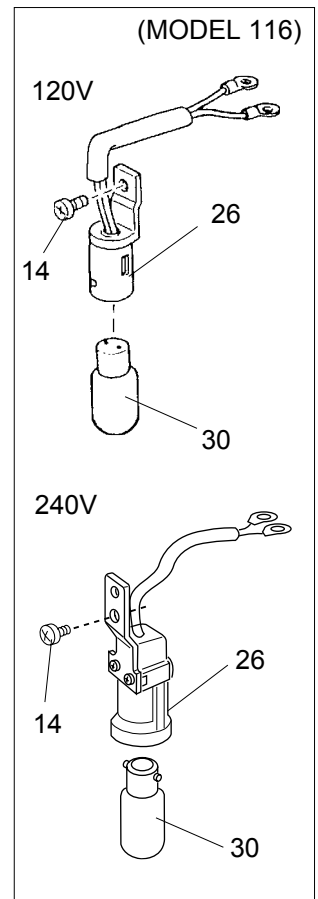
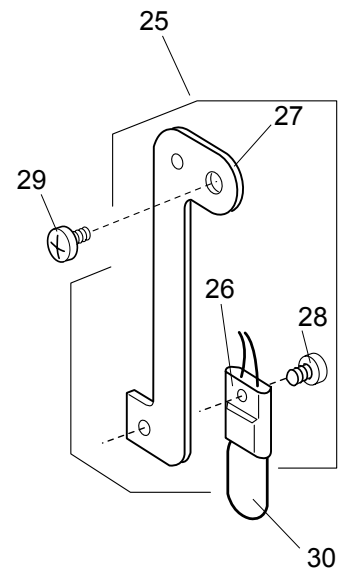
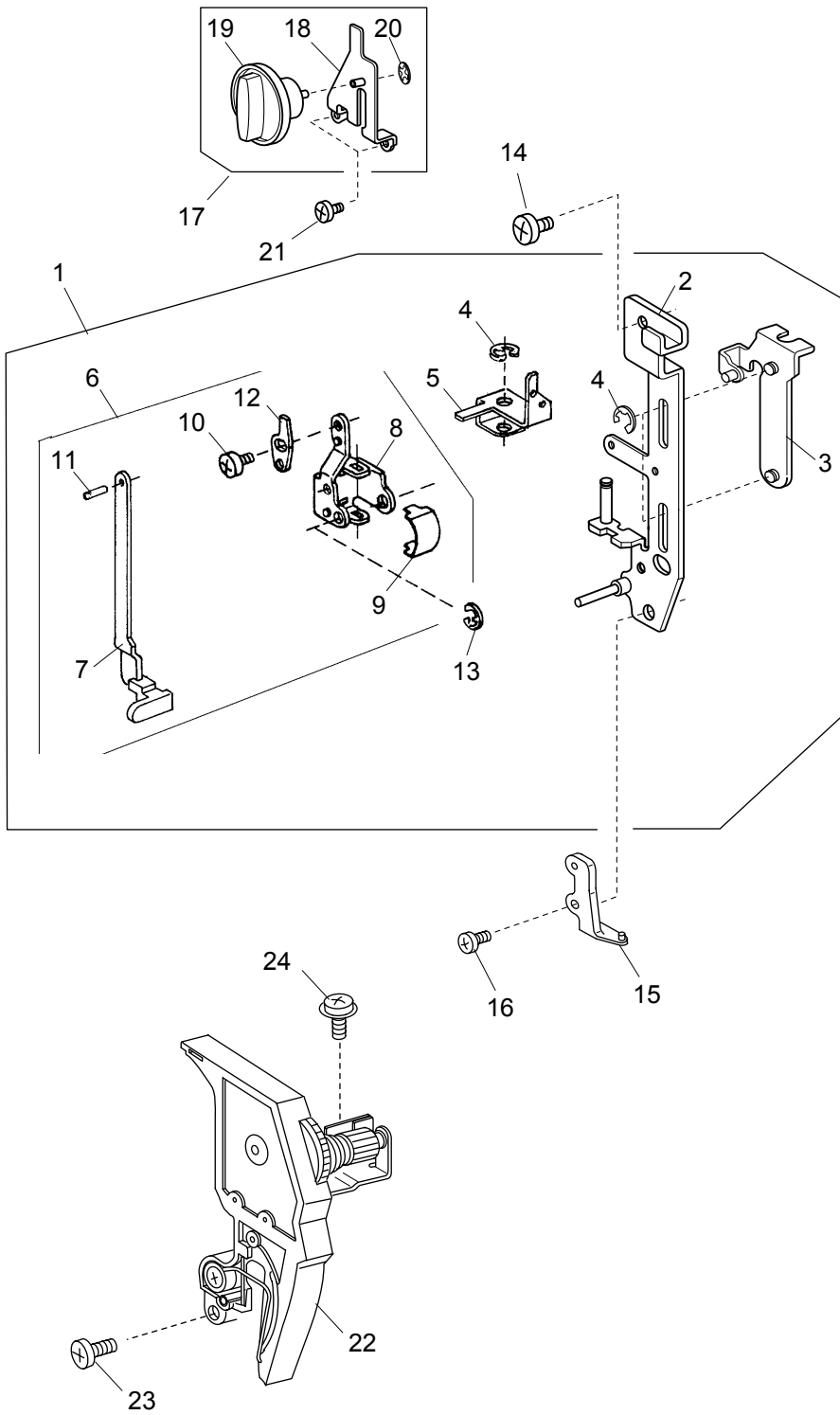
No.	Part No.	Description
1	416 22 53-01	Front cover unit (MODEL 122)
	416 22 54-01	Front cover unit (MODEL 118)
	416 22 55-01	Front cover unit (MODEL 116)
2	416 22 56-01	Front cover (MODEL 122,118)
	416 22 57-01	Front cover (MODEL 116)
3	416 03 88-01	Thread guard
4	416 04 41-01	Front cover set plate (Lower)
5	416 02 21-01	Setscrew 3 x 8
6	416 02 21-01	Plain washer 4
7	416 03 49-01	Bobbin winder stopper
8	416 02 06-01	Setscrew 4 x 14
9	416 01 91-01	Hexagonal nut 4-3-7
10	416 03 59-01	Cap
11	416 02 03-01	Setscrew 4 x 6
12	416 03 89-01	Arm thread guide
13	416 22 61-01	Setscrew 3.5 x 27
14	416 22 62-01	Rear cover unit
15	416 22 63-01	Rear cover
16	416 03 26-01	Thread guide unit
17	416 01 82-01	Snap ring CS-8
18	416 04 42-01	Top cover thread guide unit
19	416 02 26-01	Setscrew 2.6 x 5
20	416 04 36-01	Rear cover set plate
21	416 02 25-01	Setscrew 3 x 6
22	416 03 40-01	Spool pin
23	416 02 05-01	Setscrew 4 x 16
24	416 02 22-01	Setscrew 4 x 12
25	416 22 64-01	Setscrew
26	416 01 98-01	Setscrew 4 x 6
27	416 03 59-01	Cap
28	416 22 65-01	Setscrew 3 x 12
29	416 22 67-01	Base cover unit
30	416 22 69-01	Base cover
31	416 03 83-01	Drop feed lever
32	416 01 80-01	Snap ring CS-5
33	416 02 04-01	Setscrew 4 x 12
34	416 02 07-01	Setscrew 4 x 10
35	416 03 48-01	Rubber foot
36	416 02 02-01	Flat screw 5 x 25
37	416 02 02-01	Hexagonal nut 5-3-8
38	416 03 01-01	Rubber foot base
39	416 22 70-01	Extension table unit
42	416 22 72-01	U/D button (MODEL 122,118)
43	416 22 73-01	Circuit board F unit (MODEL 122,118)
44	416 04 91-01	Snap ring CS-3
45	416 22 74-01	Slide volume unit (MODEL 122,118)
46	416 22 75-01	Slide volume lid (MODEL 122,118)
47	416 22 78-01	Quicl reference chart panel
48	416 22 80-01	Panel case
49	416 22 82-01	Ornamental panel (MODEL 122)
	416 22 83-01	Ornamental panel (MODEL 118)
	416 22 84-01	Ornamental panel (MODEL 116)
50	416 22 85-01	Slide volume lever



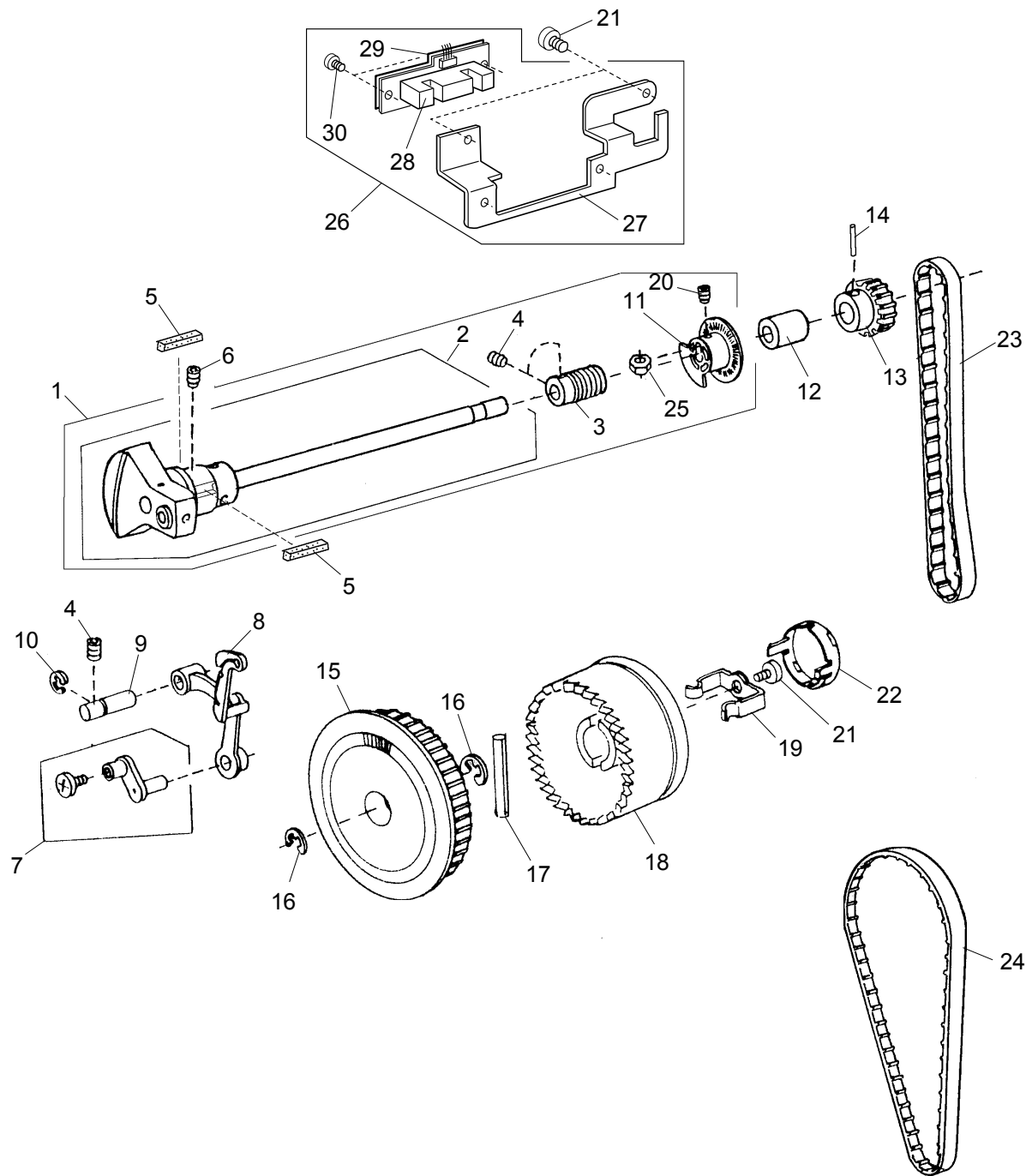
No.	Part No.	Description
1	416 23 28-01	Face plate unit (MODEL 122,118)
	416 23 29-01	Face plate unit (MODEL 116)
2	416 24 49-01	Face plate (MODEL 122,118)
	416 24 50-01	Face plate (MODEL 116)
3	416 04 46-01	Thread cutter unit
4	416 02 04-01	Setscrew 4 x 12
5	416 03 59-01	Cap
6	416 03 72-01	Presser bar bracket
7	416 01 97-01	Setscrew 4 x 8
8	416 02 69-01	Presser bar
9	416 03 51-01	Presser foot lifter
10	416 04 38-01	Tension release lever (1)
11	416 04 39-01	Tension release lever (2)
12	416 02 28-01	TP screw 4 x 6
13	416 03 31-01	Presser bar bushing
14	416 04 33-01	Presser spring
15	416 03 50-01	Presser bar supporter
16	416 02 17-01	Hexagonal socket screw 4 x 8
17	416 25 28-01	Presser foot unit
18	416 03 02-01	Thumbscrew
19	416 25 86-01	Hook cover plate
20	416 04 18-01	Setscrew
21	416 03 74-01	Needle plate unit
22	416 04 45-01	Hook cover set plate (Left)
23	416 04 29-01	Hook cover set plate (Right)
24	416 04 30-01	Hook cover release button
25	416 04 31-01	Hook cover release button spring
26	416 04 16-01	Setscrew 2 x 2.3
27	416 02 08-01	Setscrew 3 x 5
28	416 04 23-01	Reverse stopper
29	416 01 93-01	Setscrew 3 x 8
30	416 03 73-01	Stopper unit
31	416 22 64-01	Setscrew
32	416 03 61-01	Needle plate adjusting plate (Left)
33	416 04 25-01	Nut
34	416 03 62-01	Needle plate adjusting plate (Right)
35	416 03 33-01	Washer
36	416 04 34-01	Plain washer
37	416 04 35-01	Presser bar sub-spring
38	416 03 45-01	Reflector sticker (2)
39	416 25 30-01	Caution sticker



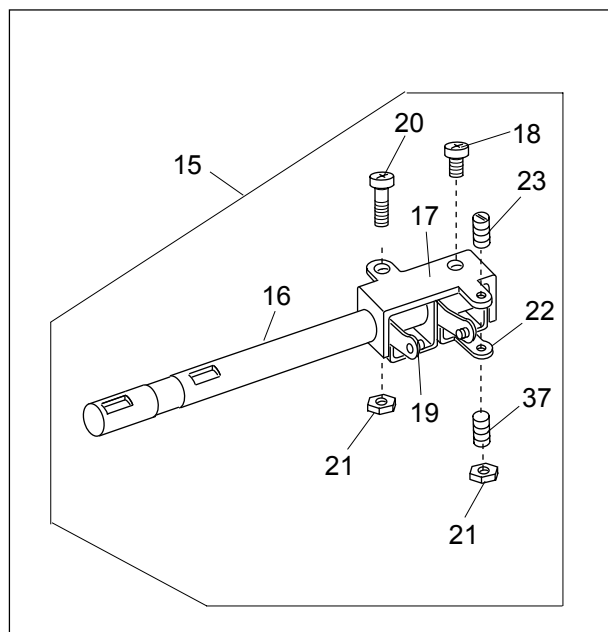
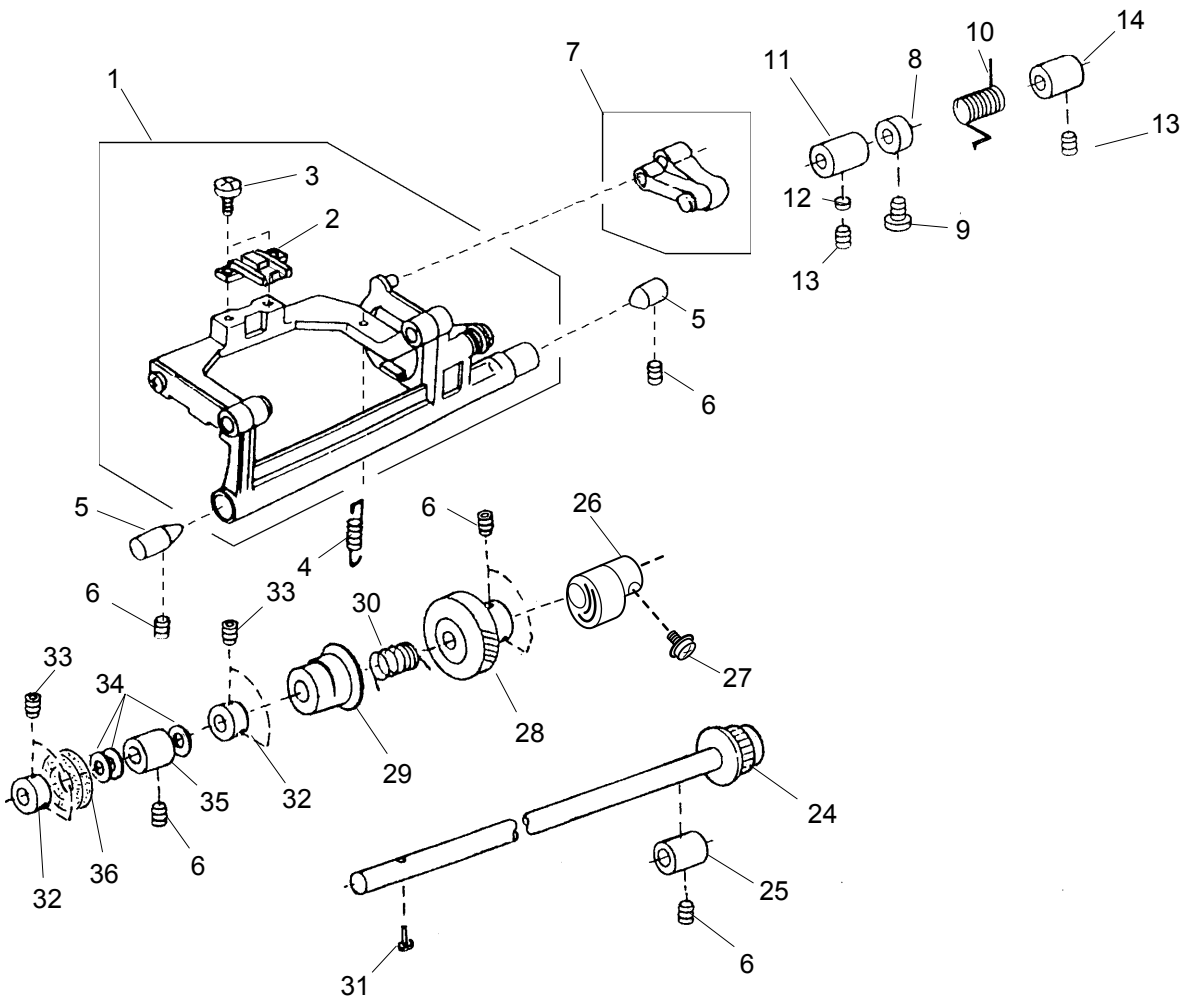
No.	Part No.	Description
1	416 04 01-01	Needle bar supporter unit
2	416 03 63-01	Needle bar supporter
3	416 02 15-01	Hexagonal socket screw 4 x 4
4	416 25 31-01	Needle bar unit
5	416 03 75-01	Threader positioning plate unit
6	416 03 47-01	Threader positioning plate
7	416 03 64-01	Threader positioning base
8	416 02 01-01	Flat screw 2 x 4
9	416 02 18-01	Hexagonal socket screw 3 x 4
10	416 03 67-01	Needle bar supporter
11	416 04 48-01	Threader unit
12	416 03 93-01	Threader frame
13	416 04 47-01	Threader lever
14	416 03 97-01	Threader spring
15	416 04 00-01	Threader shaft unit
16	416 03 96-01	Threader shaft
17	416 01 77-01	Spring pin 2 x 8
18	416 04 02-01	Threader plate unit
19	416 03 94-01	Threader guard
20	416 03 95-01	Threader plate
21	416 04 49-01	Setscrew
22	416 03 99-01	Plate nut
23	416 02 23-01	Pin 2 x 16
24		Needle
25	416 03 27-01	Needle bar crank rod unit
26	416 03 11-01	Needle bar crank rod
27	416 03 12-01	Felt
28	416 03 13-01	Felt holder
29	416 03 05-01	Needle bar supporter shaft
30	416 03 06-01	Needle bar supporter shaft set plate
31	416 02 03-01	Setscrew 4 x 6
32	416 03 07-01	Zigzag width arm
33	416 02 14-01	Hexagonal socket screw 4 x 6
34	416 03 08-01	Needle bar supporter shaft spring
35	416 01 73-01	Snap ring E-5
36	416 25 32-01	Needle bar supporter spring



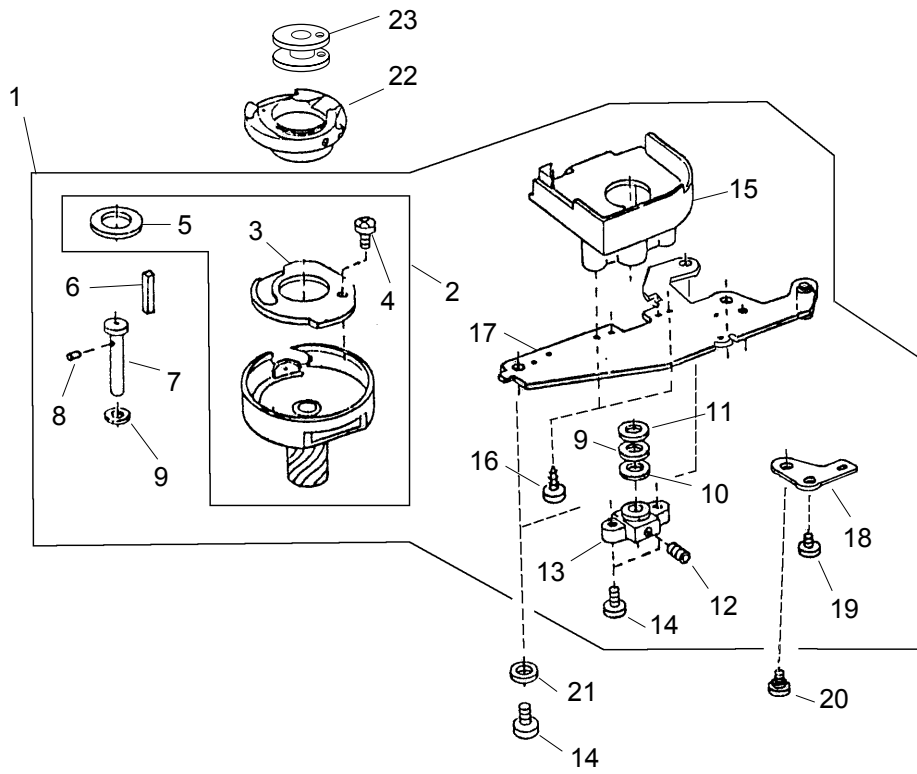
No.	Part No.	Description
1	416 25 33-01	Front bracket unit
2	416 02 45-01	Front bracket
3	416 25 34-01	Presser adjusting plate
4	416 01 74-01	Snap ring E-3
5	416 03 66-01	Pull bar link
6	416 03 79-01	Buttonhole lever unit
7	416 03 76-01	Buttonhole lever unit
8	416 25 35-01	Buttonhole lever supporter
9	416 03 85-01	Friction spring
10	416 03 34-01	Setscrew 3 x 3.5
11	416 01 84-01	Spring pin 1.6 x 4
12	416 03 86-01	Buttonhole lever adjusting plate
13	416 01 72-01	Snap ring E-2.5
14	416 01 97-01	Setscrew 4 x 8
15	416 03 98-01	Threader guide
16	416 02 07-01	Setscrew 4 x 10
17	416 25 36-01	Pressure dial unit
18	416 25 37-01	Dial set plate
19	416 25 38-01	Pressure dial
20	416 01 81-01	Snap ring CS-4
21	416 02 11-01	Setscrew 3.5 x 4
22	416 25 39-01	Tension regulator unit (MODEL 122,118)
	416 25 40-01	Tension regulator unit (MODEL 116)
23	416 02 04-01	Setscrew 4 x 12
24	416 05 17-01	TP screw 4 x 6
25	416 25 41-01	Lamp socket unit (MODEL 122,118)
26	416 25 42-01	Lamp socket unit (MODEL 122,118)
	416 03 03-01	Lamp socket unit (MODEL 116) 120V
	416 25 81-01	Lamp socket unit (MODEL 116) 240V
27	416 25 43-01	Lamp socket set plate
28	416 25 44-01	Setscrew 2 x 8
29	416 02 03-01	Setscrew 4 x 6
30	416 04 93-01	Wedge base lamp 12V 5W (MODEL 122,118)
	416 01 79-01	Lamp 120V 15W (MODEL 116)
	416 01 78-01	Lamp 240V 15W (MODEL 116)



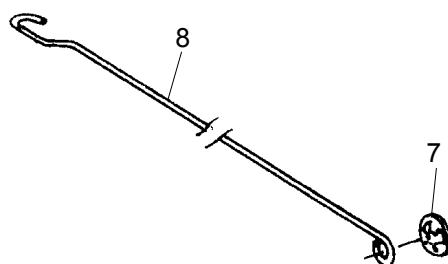
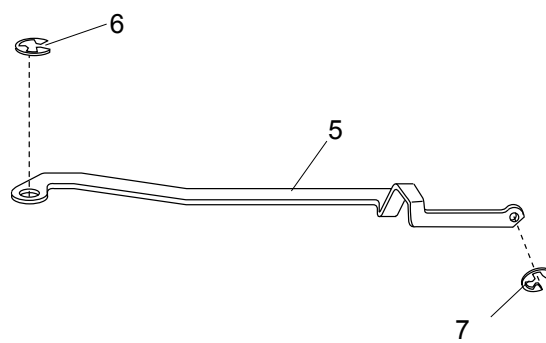
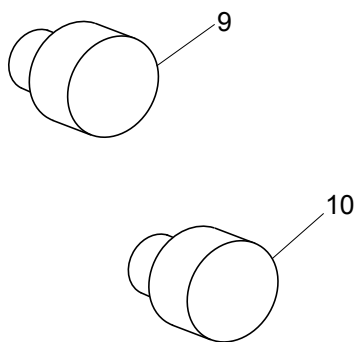
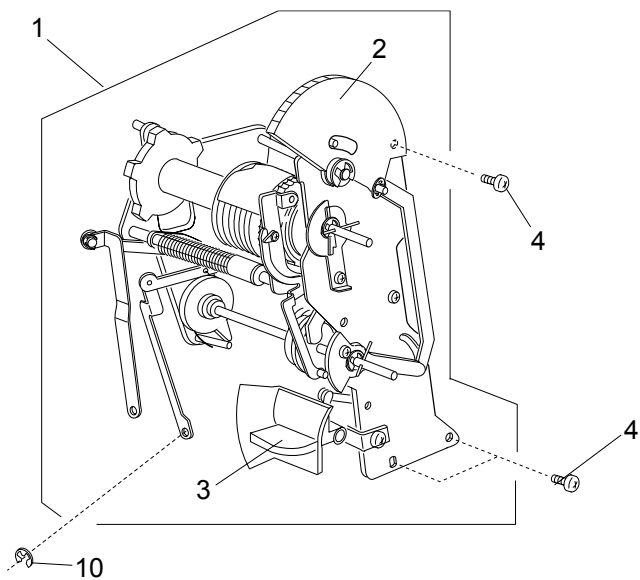
No.	Part No.	Description
1	416 25 45-01	Upper shaft unit
	416 04 06-01	Upper shaft unit (MODEL 116)
2	416 04 05-01	Upper shaft unit
3	416 02 60-01	Worm
4	416 02 15-01	Hexagonal socket screw 4 x 4
5	416 03 46-01	Felt
6	416 02 16-01	Hexagonal socket screw 5 x 5
7	416 03 36-01	Needle bar crank pin unit
8	416 04 19-01	Thread take-up lever unit
9	416 03 14-01	Thread take-up lever shaft
10	416 01 76-01	Snap ring E-6
11	416 25 46-01	Shield plate (MODEL 122,118)
12	416 03 41-01	Upper shaft rear bushing
13	416 04 03-01	Upper shaft timing gear
14	416 01 83-01	Spring pin 3 x 22
15	416 04 04-01	Belt wheel
16	416 01 86-01	Snap ring E-8
17	416 01 85-01	Spring pin 4 x 40
18	416 03 57-01	Handwheel
19	416 03 00-01	Clutch spring
20	416 02 14-01	Hexagonal socket screw 4 x 6 (MODEL 122,118)
21	416 01 97-01	Set screw 4 x 8
22	416 03 58-01	Cap
23	416 03 15-01	Timing belt
24	416 03 38-01	Timing belt
25	416 05 03-01	Nut (MODEL 122,118)
26	416 25 47-01	Upper shaft sensor unit (MODEL 122,118)
27	416 25 48-01	Sensor set plate (MODEL 122,118)
28	416 25 49-01	Circuit board N unit (MODEL 122,118)
29	416 25 50-01	Insulating paper (MODEL 122,118)
30	416 25 51-01	Set screw 3 x 4 (MODEL 122,118)



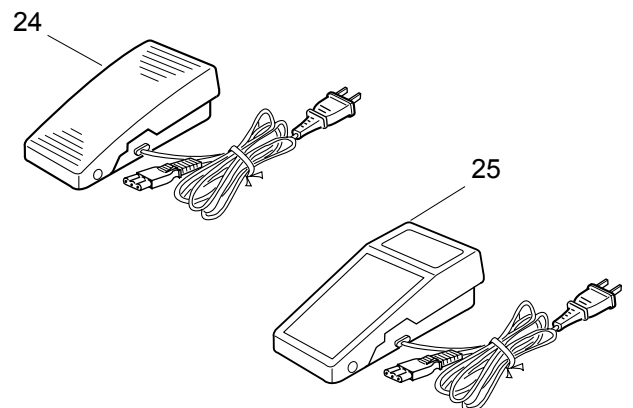
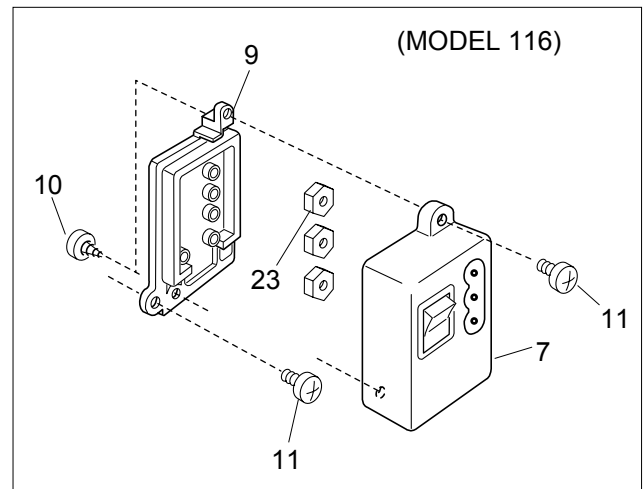
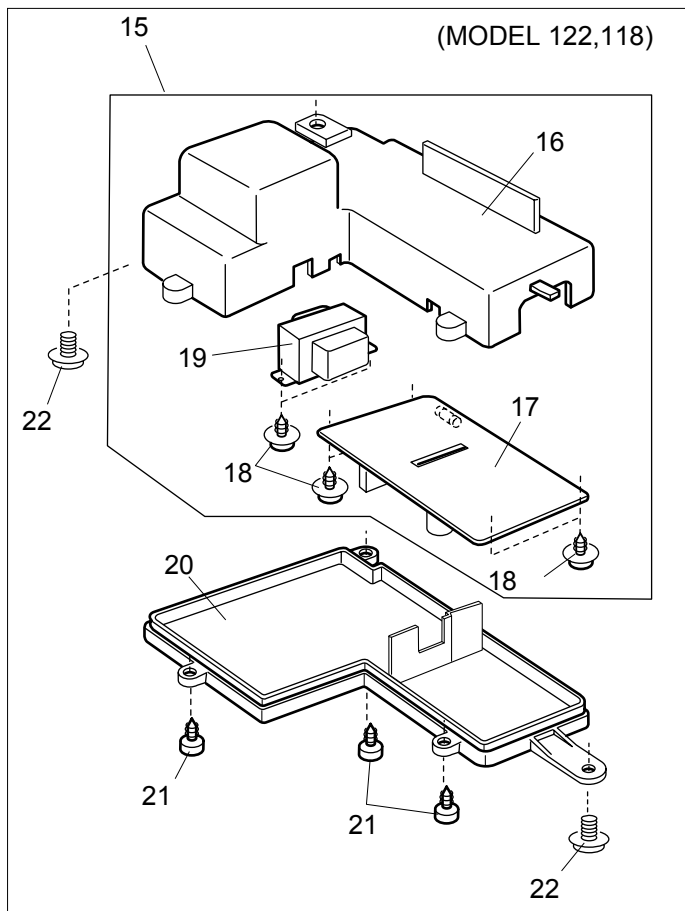
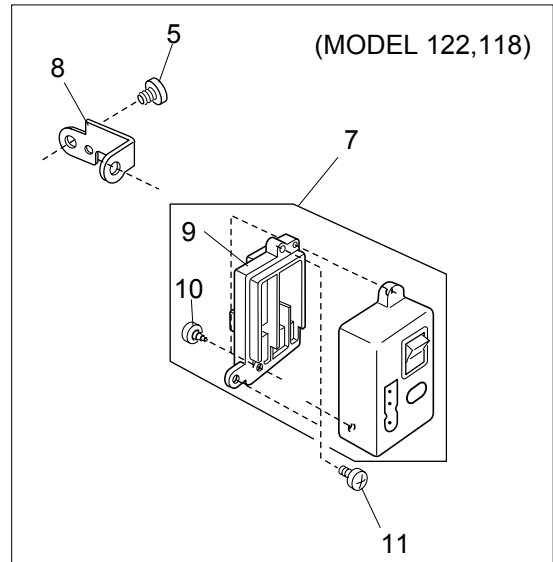
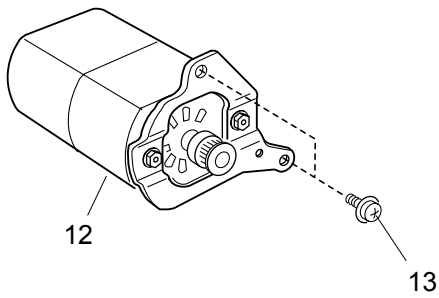
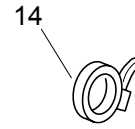
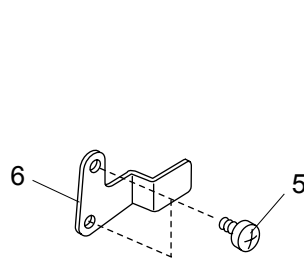
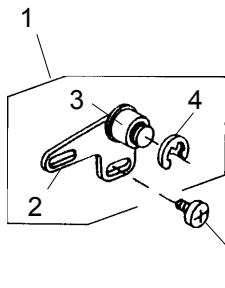
No.	Part No.	Description
1	416 03 80-01	Feed rock shaft unit
2	416 03 39-01	Feed dog
3	416 02 09-01	Setscrew 3.5 x 8
4	416 03 19-01	Spring
5	416 03 53-01	Straight pin
6	416 02 16-01	Hexagonal socket screw 5 x 5
7	416 03 28-01	Feed regulator unit
8	416 04 17-01	Ring
9	416 01 97-01	Setscrew 4 x 8
10	416 25 52-01	Regulator spring
11	416 02 94-01	Feed shaft bushing (Front)
12	416 03 25-01	Cushion
13	416 02 14-01	Hexagonal socket screw 4 x 6
14	416 03 20-01	Feed shaft bushing (Rear)
15	416 02 78-01	Feed regulator plate unit
16	416 25 54-01	Feed shaft
17	416 25 55-01	Feed shaft plate
18	416 01 99-01	Setscrew 3 x 12
19	416 02 63-01	SS adjusting plate
20	416 25 57-01	Set screw 4 x 18
21	416 02 24-01	Adjustable lock nut 4
22	416 02 62-01	Feed adjusting plate
23	416 25 59-01	Set screw
24	416 03 77-01	Lower shaft unit
25	416 03 18-01	Lower shaft bushing (Rear)
26	416 03 70-01	Feed cam
27	416 02 19-01	TP screw 3 x 8
28	416 03 16-01	Lower shaft gear
29	416 03 90-01	Feed lifting cam
30	416 03 44-01	Feed lifting cam spring
31	416 04 14-01	Feed lifting cam pin
32	416 04 15-01	Lower shaft ring
33	416 02 15-01	Hexagonal socket screw 4 x 4
34	416 01 88-01	Thrust washer 8 x 0.5
35	416 03 17-01	Lower shaft bushing (Front)
36	416 03 52-01	Felt
37	416 25 60-01	Set screw 4 X 12 (MODEL 116)



No.	Part No.	Description
1	416 04 43-01	Hook unit
2	416 03 37-01	Hook race unit
3	416 02 97-01	Hook race bottom plate
4	416 04 16-01	Setscrew 2 x 2.3
5	416 02 96-01	Hook race magnet
6	416 04 11-01	Hook driver shaft
7	416 04 12-01	Hook shaft oil felt (1)
8	416 04 13-01	Hook shaft oil felt (2)
9	416 01 87-01	Thrust washer 6 x 0.5
10	416 02 93-01	Plain washer
11	416 02 98-01	Washer
12	416 02 16-01	Hexagonal socket screw 5 x 5
13	416 03 21-01	Hook shaft base
14	416 01 97-01	Setscrew 4 x 8
15	416 04 40-01	Hook gear cover
16	416 02 12-01	Setscrew 3 x 12
17	416 04 27-01	Hook base plate
18	416 03 23-01	Positioning plate
19	416 02 03-01	Setscrew 4 x 6
20	416 03 24-01	Hinge screw
21	416 01 94-01	Plain washer
22	416 02 99-01	Bobbin holder unit
23	416 02 33-01	Bobbin



No.	Part No.	Description
1	416 25 61-01	Cam block unit (MODEL 122)
	416 25 62-01	Cam block unit (MODEL 118)
	416 25 63-01	Cam block unit (MODEL 116)
2	416 25 64-01	Stitch width dial
3	416 25 65-01	R lever
4	416 01 97-01	Setscrew 4 x 8
5	416 02 65-01	Zigzag width rod
6	416 01 75-01	Snap ring E-4
7	416 01 74-01	Snap ring E-3
8	416 02 52-01	BH converter rod
9	416 25 66-01	Pattern selector dial (MODEL 122)
	416 25 67-01	Pattern selector dial (MODEL 118)
	416 25 68-01	Pattern selector dial (MODEL 116)
10	416 25 69-01	Stitch length dial



No.	Part No.	Description	
1	416 03 91-01	Idler unit	
2	416 03 87-01	Idler base	
3	416 02 95-01	Idler	
4	416 01 76-01	Snap ring E-6	
5	416 01 97-01	Setscrew 4 x 8	
6	416 02 66-01	Machine socket bracket	
7	416 25 70-01	Machine socket unit (MODEL 122,118)	120V
	416 03 55-01	Machine socket unit (MODEL 116)	120 Volt
	416 25 85-01	Machine socket unit (MODEL 122,118)	220V, 240V
	416 25 88-01	Machine socket unit (MODEL 116)	220V, 240V
8	416 25 71-01	Machine socket set plate	
9	416 25 72-01	Machine socket lid (MODEL 122,118)	
	416 02 37-01	Machine socket lid (MODEL 116)	
10	416 02 13-01	Setscrew 3 x 10	
11	416 02 07-01	Setscrew 4 x 10	
12	416 25 89-01	Motor unit (MODEL 122, 118)	120V
	416 25 90-01	Motor unit (MODEL 122, 118)	220V, 240V
	416 25 91-01	Motor unit (MODEL 116)	120V
	416 25 92-01	Motor unit (MODEL 116)	220V
	416 25 93-01	Motor unit (MODEL 116)	240V
13	416 02 20-01	TP screw 5 x 10	
14	416 01 89-01	Cord binder	
15	416 25 74-01	Circuit board case unit (MODEL 122,118)	120V
	416 25 94-01	Circuit board case unit (MODEL 122,118)	220, 240V
16	416 25 75-01	Circuit board case (MODEL 122,118)	
17	416 25 76-01	Circuit board B unit (MODEL 122,118)	
18	416 25 77-01	Setscrew 3 x 8 (MODEL 122,118)	
19	416 25 78-01	Transformer unit (MODEL 122,118)	120V
	416 25 96-01	Transformer unit (MODEL 122,118)	220V, 240V
20	416 25 79-01	Circuit board case lid (MODEL 122,118)	
21	416 04 53-01	Setscrew 3 x 10 (B) (MODEL 122,118)	
22	416 25 80-01	TP screw 4 x 8 (MODEL 122,118)	
23	416 01 90-01	Nut (MODEL 116)	
24	416 25 98-01	Foot control (MODEL 122, 118, 116)	120V, 220, 240V
25	416 04 50-01	Foot control (MODEL 122)	120V
	416 25 99-01	Foot control (MODEL 118)	220V
	416 04 51-01	Foot control (MODEL 116)	240V

