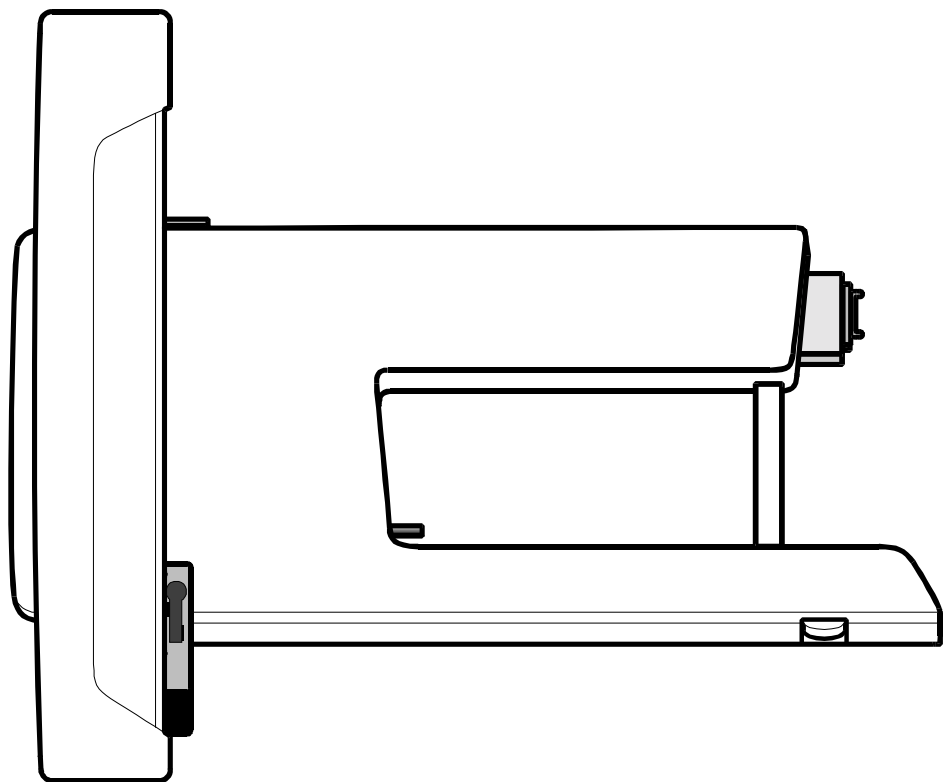
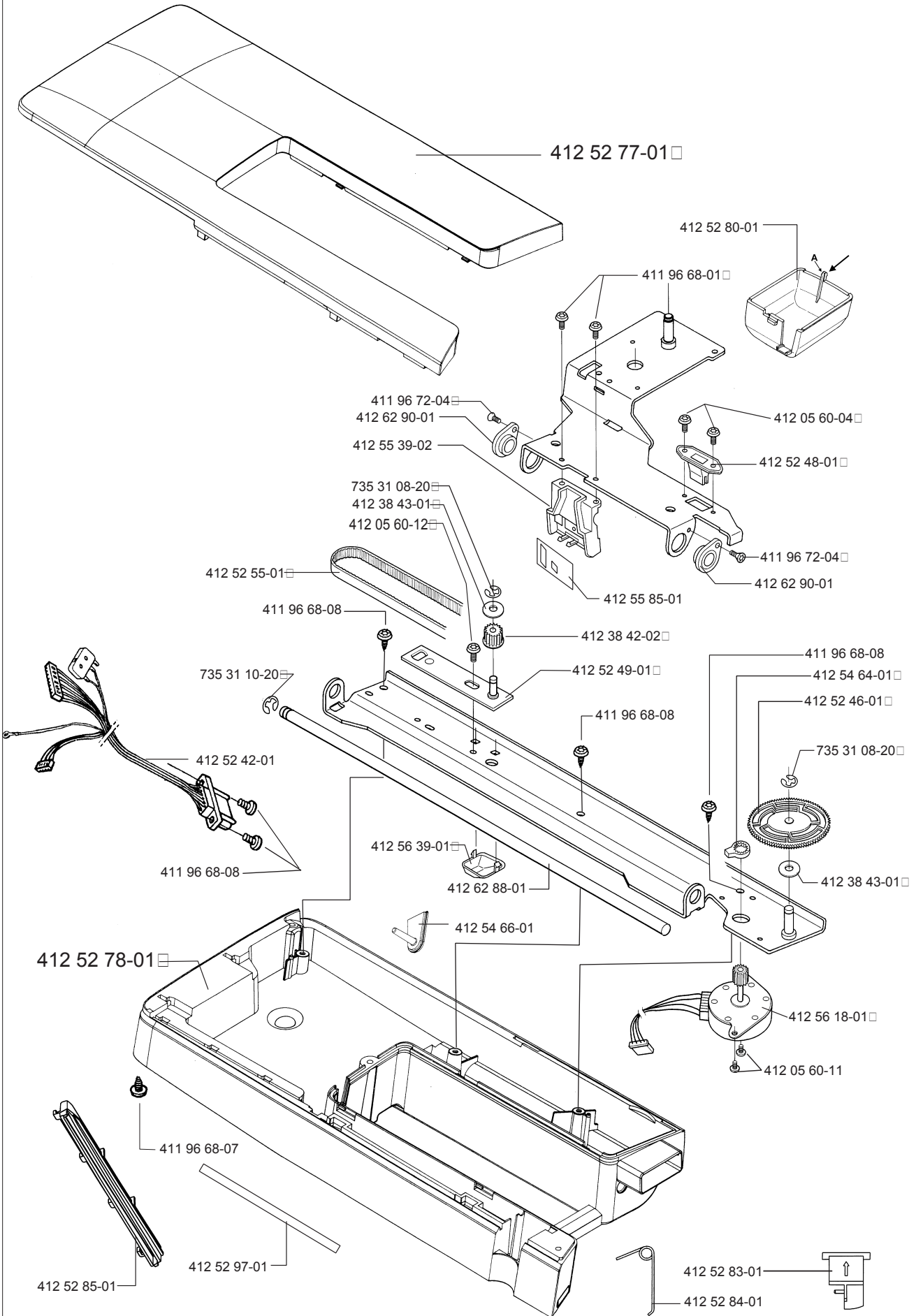


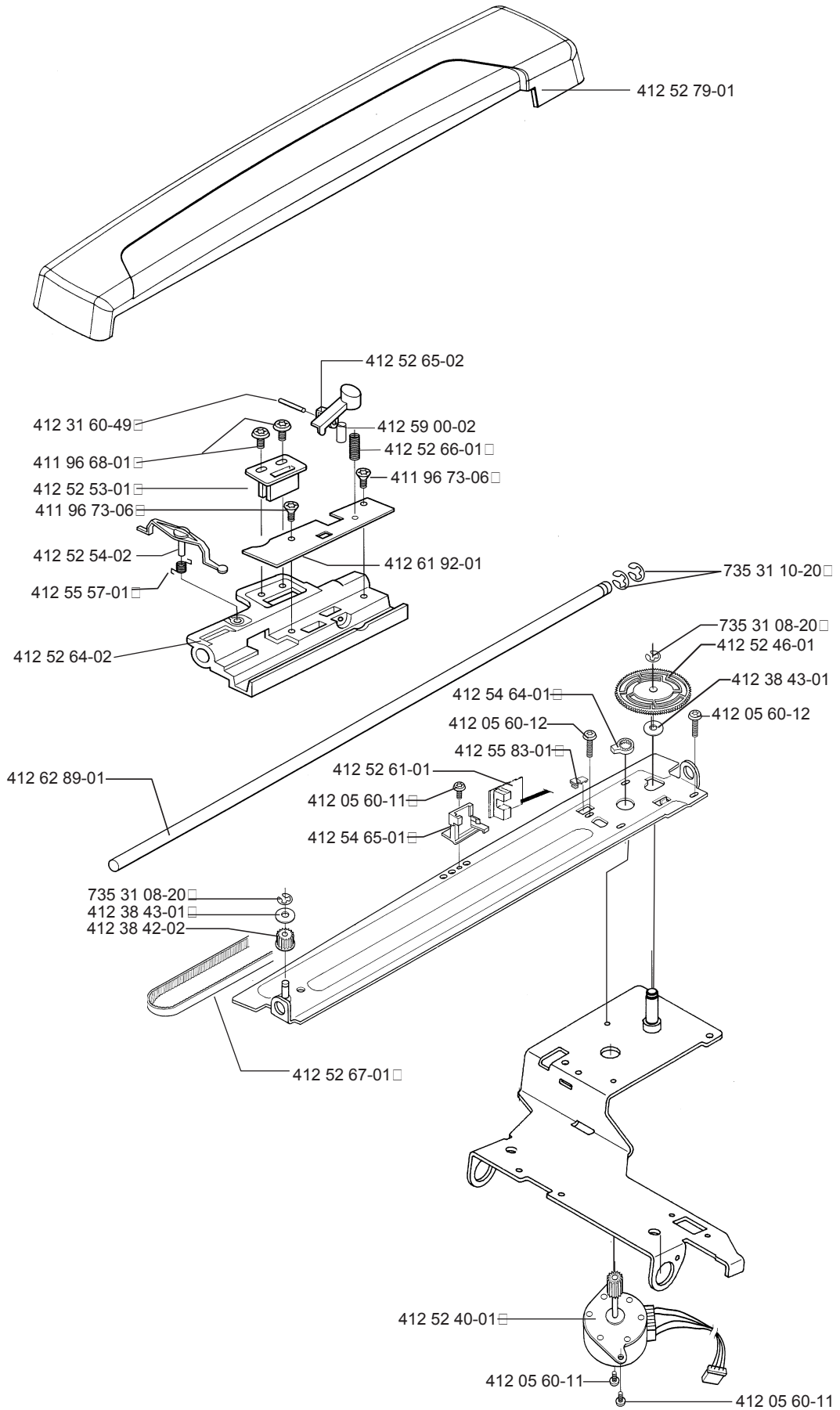
Parts list
Embr-unit
Designer serie



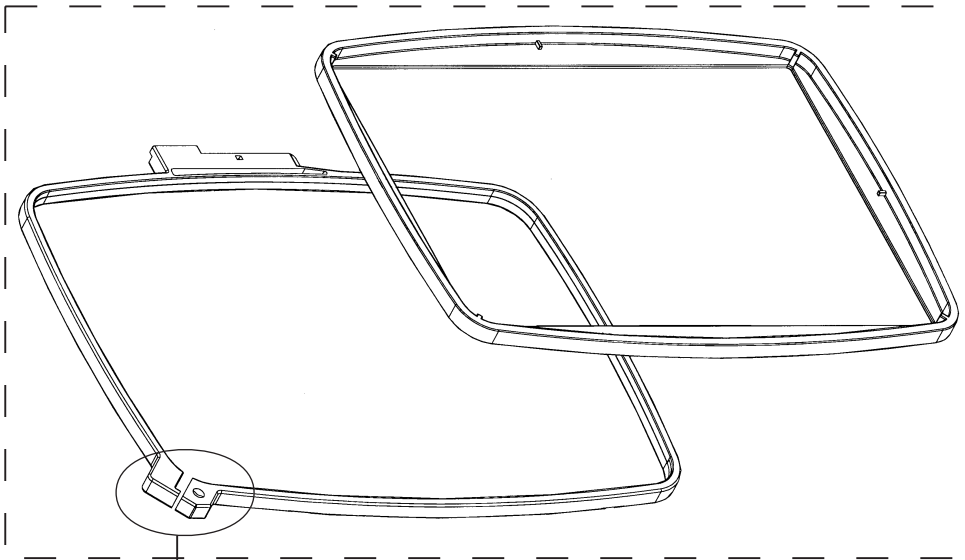
Part No	Description	Page	Part No	Description	Page
411 96 68-01	Screw	A,B	412 60 71-01	Embroidery disks	C
411 96 68-07	Screw	A	412 61 92-01	Frame Y-unit	B
411 96 68-08	Screw	A	412 62 88-01	Shaft	A
411 96 72-04	Screw M 3*6	A	412 62 89-01	Shaft	B
411 96 73-06	Screw 25*6	B	412 62 90-01	Bearing	A
411 98 14-01	Washer	C	735 31 08-20	C -Washer	A,B
412 05 60-04	Screw	A	735 31 10-20	C- Washer	A,B
412 05 60-11	Screw	A,B			
412 05 60-12	Screw M 4*6	A,B			
412 31 60-49	Pin	B			
412 38 42-02	Cog wheel	A,B			
412 38 43-01	Washer	A,B			
412 39 90-01	Nut	C			
412 44 68-01	Screw	C			
412 44 69-01	Grip 150x240	C			
412 51 78-01	Embroidery box compl.	C			
412 52 40-01	Step motor Y-unit compl	B			
412 52 42-01	Cable, embroidery unit	A			
412 52 46-01	Cog wheel, large	A,B			
412 52 48-01	Holder, X-cog belt	A			
412 52 49-01	Adjuster, belt tension	A			
412 52 53-01	Holder, Y-cog belt	B			
412 52 54-02	Sensor Em. Frame	B			
412 52 55-01	Cog belt, Y-unit	A			
412 52 61-01	Circuit board	B			
412 52 64-02	Frame Y-unit	B			
412 52 65-02	Button	B			
412 52 66-01	Spring	B			
412 52 67-01	Cog belt	B			
412 52 71-01	Embroidery hoop 150x240	C			
412 52 74-01	Embroidery hoop 100X100	C			
412 52 77-01	Upper cover, X-unit	A			
412 52 78-01	Lower cover, X-unit	A			
412 52 79-01	Cover, Y-unit	B			
412 52 80-01	Step motor cover, Y-unit	A			
412 52 83-01	Locker, Embroidery unit	A			
412 52 84-01	Spring	A			
412 52 85-01	Guide rail	A			
412 52 97-01	Friction tape	A			
412 53 74-01	Embr templet 100x100	C			
412 53 75-01	Embr templet 150x240	C			
412 54 64-01	Calibration lever	A,B			
412 54 65-01	Holder	B			
412 53 66-01	Pin , feed dog lowering	A			
412 55 39-02	Cable holder, X-unit	A			
412 55 57-01	Spring	B			
412 55 83-01	Holder	B			
412 55 85-01	Connecting board	A			
412 56 18-01	Step motor comp.	A			
412 56 39-01	Cover, X-unit	A			
412 56 54-01	Accessories , Embroidery	C			
412 57 97-01	Grip 100x100	C			
412 59 00-02	Cover	B			

A

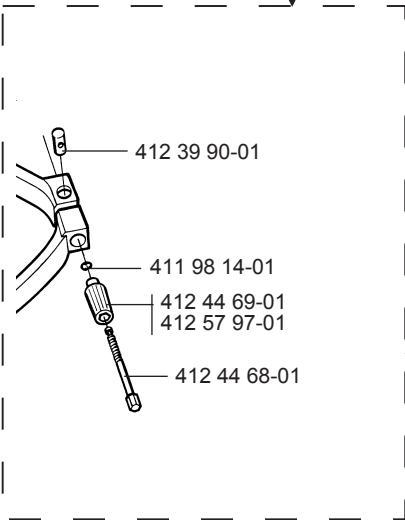




C



412 52 71-02



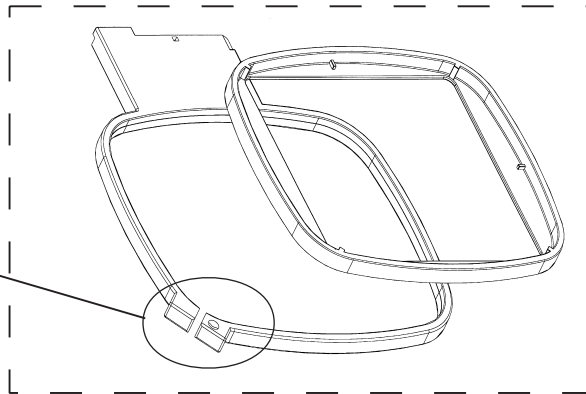
412 39 90-01

411 98 14-01

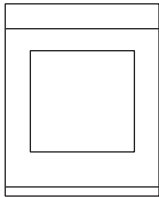
412 44 69-01

412 57 97-01

412 44 68-01



412 52 74-01



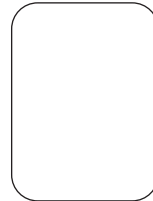
412 53 73-01

Designer 1
Embroidery
100 Booklet



412 53 74-01

Templet
100x100



412 53 75-01

Templet
150x240



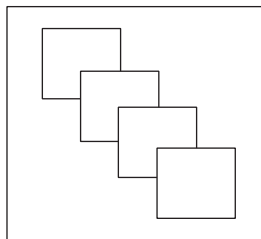
412 56 58-01

Zipper bag



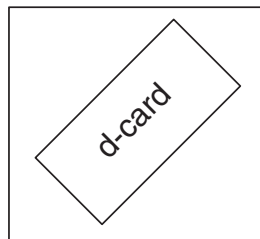
412 56 54-01

Accessories
Siccer, Thread,
Fabrics , R - foot



412 60 71-01

Embroidery #100
Palace script
Clarendon
Calligraphy

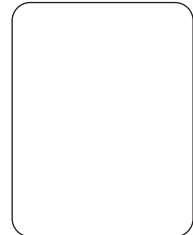


d-card 100-1

412 64 89-01

d-card 100-2

412 64 89-02



412 51 78-01

Embroidery box