

Parts List

Designer Topaz™

Topaz 50



Please note that on disposal, this product must be safely recycled in accordance with relevant National legislation relating to electrical/electronic products. If in doubt please contact your retailer for guidance.



Bitte beachten Sie, dass hinsichtlich der Entsorgung dieses Produkts, vorschriftsmäßig entsprechend der gültigen nationalen Gesetzgebung für elektrische/elektronische Produkte, recycelt werden muss. Bei Zweifel setzen Sie sich bitte mit Ihrem Fachhändler in Verbindung.

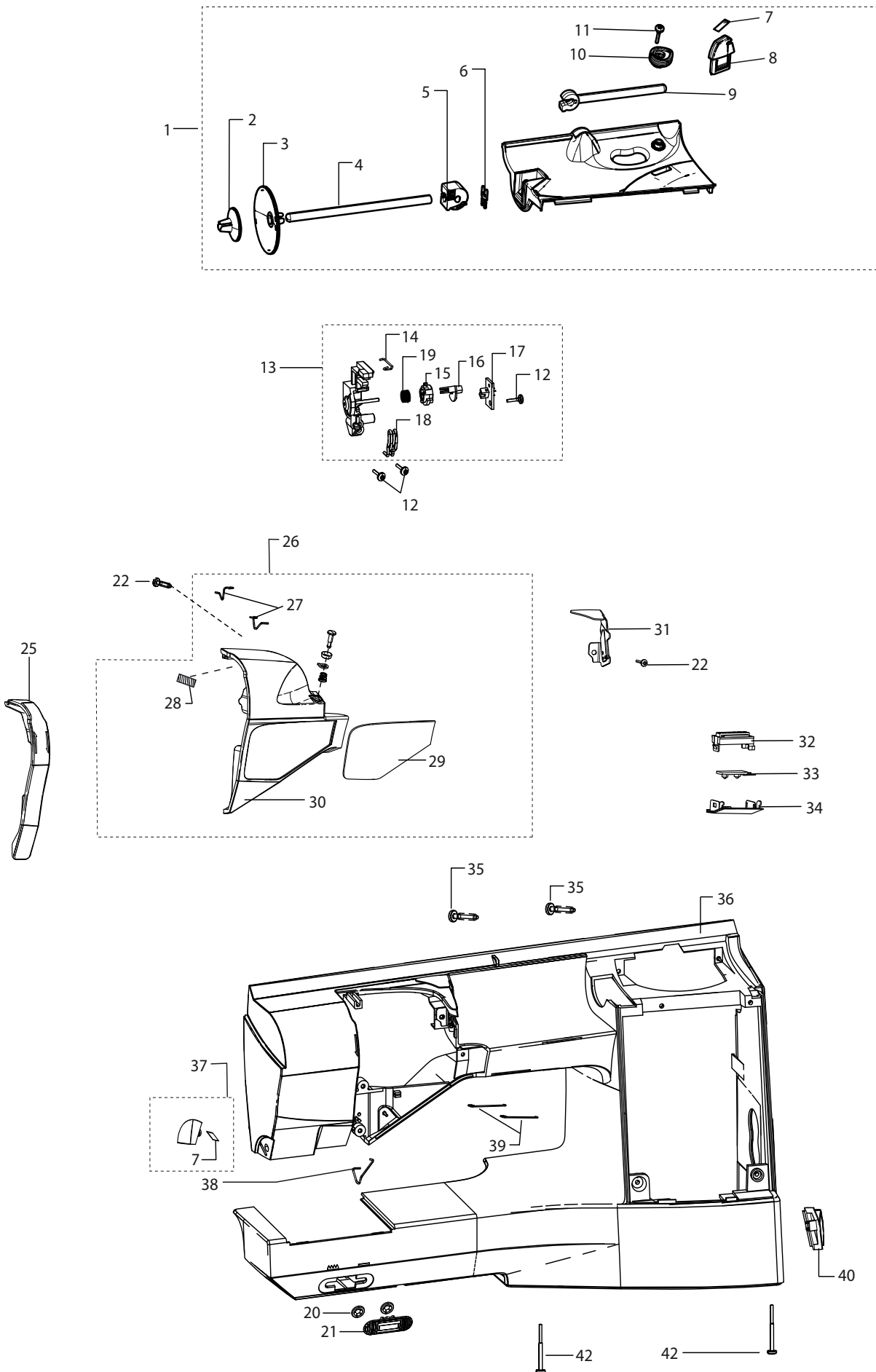


Veuillez noter qu'en cas de destruction, ce produit doit bénéficier d'un recyclage sécurisé, conforme à la législation nationale applicable aux produits électriques/électroniques. En cas de doute, veuillez contacter votre distributeur agréé.

- All casted parts within our products are marked with name of material if allowed by size.
- All molded plastic parts within our products are marked with name of material if allowed by size.

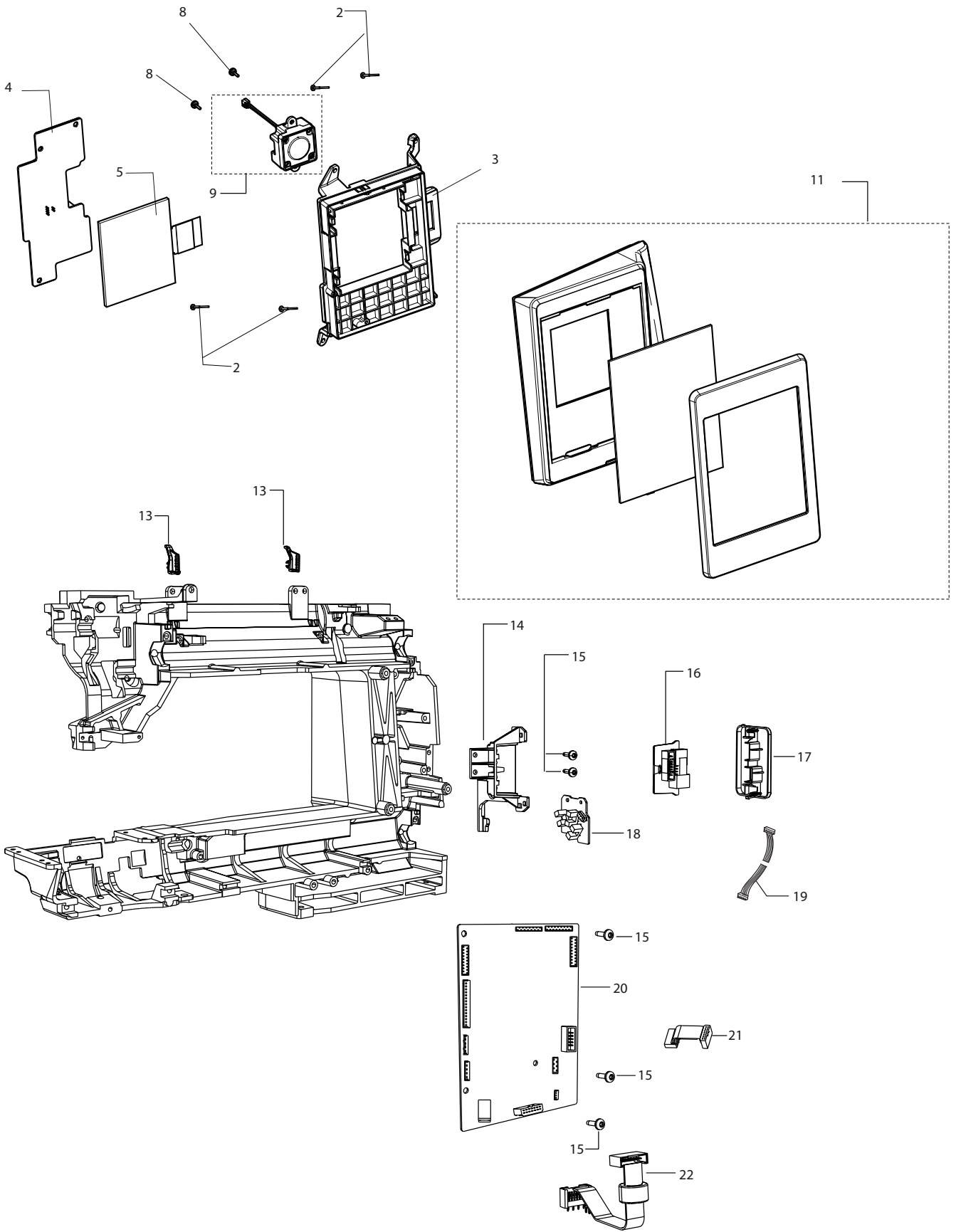
Designer Topaz 50

A



| | | |
|----|-----------|---------------------------------|
| 1 | 412960101 | COVER, BOBIN WIN. CPL NO MOTOR |
| 2 | 413051602 | SPOOL HOLDER 35 MM |
| 3 | 413051603 | SPOOL HOLDER 45MM |
| 4 | 412521001 | REEL PIN |
| 5 | 412960301 | GUIDE, REEL PIN |
| 6 | 413060201 | THREAD GUIDE |
| 7 | 412423701 | THREAD CUTTER |
| 8 | 413022501 | COVER THREAD KNIFE CPL WIN. AV. |
| 9 | 412960401 | THREAD REEL PIN |
| 10 | 412979601 | WINDING STOP |
| 11 | 411966803 | SCREW PT 30*12 FZB |
| 12 | 411966820 | SCREW 30*10 FZB KOMBITORX |
| 13 | 413004005 | THREAD SENSOR CPL. |
| 14 | 413004501 | THREAD CONTROL, THREAD SENSOR |
| 15 | 413004301 | ADJUSTING SLEEVE |
| 16 | 413004402 | SENSOR THREAD TENSION |
| 17 | 413017602 | THREAD SENSOR ASSEMBLY |
| 18 | 412519301 | THREAD GUIDE |
| 19 | 412519202 | CHECK SPRING |
| 20 | 735583001 | STARLOCK WASHER |
| 21 | 412989201 | FEED DOG LOWERING BUTTON |
| 25 | 413047602 | THREAD GUIDE |
| 26 | 412970010 | THREAD TENSION COVER |
| 27 | 412981602 | THREAD GUIDE |
| 28 | 413233501 | BRUSH SEAL |
| 29 | 413358401 | KEYBOARD CPL |
| 30 | 413312201 | THREAD TENSION COVER HV MOTOR |
| 31 | 412981302 | THREAD GUIDE CPL. |
| 32 | 413208501 | LED HOLDER |
| 33 | 413354601 | LED UNIT |
| 34 | 413208601 | LED GLASS |
| 35 | 411966810 | SCREW PT 40*20 FZB TORX |
| 36 | 413214303 | FRONT COVER |
| 37 | 413022001 | COVER THREAD KNIFE CPL. HV AV. |
| 38 | 413124601 | THREAD SUPPORT |
| 39 | 412558001 | THREAD SUPPORT |
| 40 | 413212003 | STYLUS HOLDER |
| 42 | 411966812 | SCREW 40*40 FZB TORX |

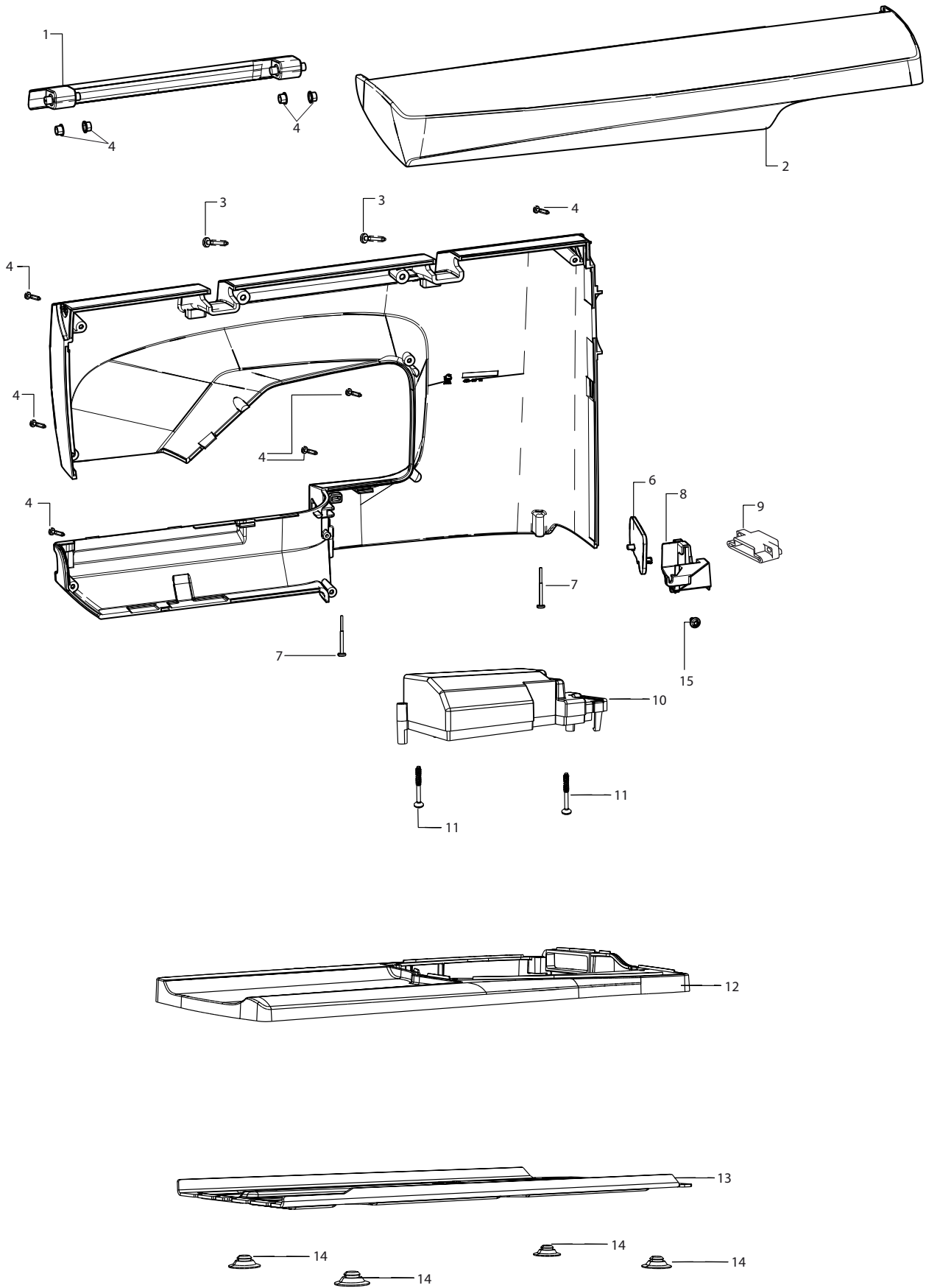
B



| | | |
|----|-----------|----------------------------|
| 2 | 411966805 | SCREW PT 30*20 FZB TORX |
| 3 | 413315601 | DISPLAY BRACKET |
| 4 | 413340645 | APPLICATION BOARD |
| 5 | 413309601 | DISPLAY |
| 8 | 411966823 | SCREW PT 30*7,5 FZB TORX |
| 9 | 413050003 | LOUDSPEAKER BOX CPL. |
| 11 | 413313602 | PANEL CPL. |
| 13 | 413024201 | CABLE CLAMP |
| 14 | 413025007 | HOLDER |
| 15 | 412056006 | SCREW TAPTITE M4*12 TORX |
| 16 | 413355601 | USB BOARD |
| 17 | 413024802 | COVER, USB DUAL |
| 18 | 412986401 | SENSOR BOARD, ASS. |
| 19 | 412546913 | CABLE ASSEMBLY (6P) |
| 20 | 413249245 | CONTROL BOARD |
| 21 | 413108801 | CABLE, USB |
| 22 | 412349703 | CABLE TRANSF-CONTROL BOARD |

Designer Topaz 50

C



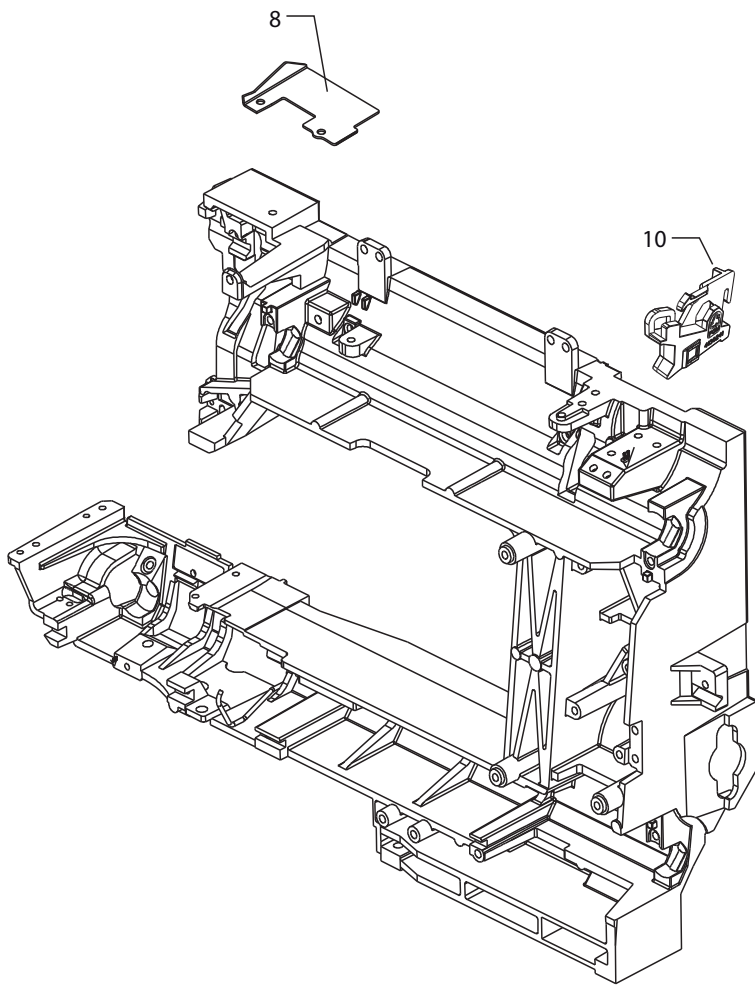
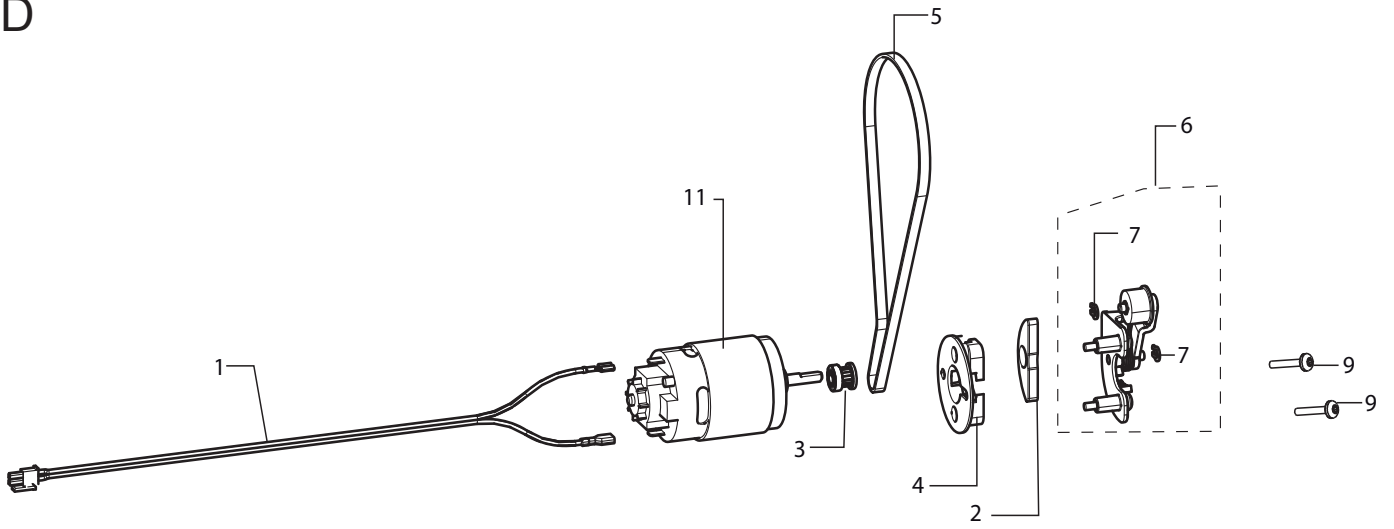
Designer Topaz 50

C

| | | |
|----|---------------|----------------------------|
| 1 | 412954701 | HANDLE |
| 2 | 413324702 | LID |
| 3 | 411966810 | SCREW PT 40*20 FZB TORX |
| 4 | 412700001 | BUSHING |
| 5 | 412959101 | BACK, COVER |
| 6 | 413018501 | LID XY |
| 7 | 411966812 | SCREW PT 40*40 FZB TORX |
| 8 | 413018602 | BASKET XY |
| 9 | 413092602 | CABLE ASS. XY |
| 10 | 413390102 | POWER SUPPLY CPL. |
| 11 | 411967107 | SCREW PT FS 40*35 FZB TORX |
| 12 | 412959202 | BOTTOM COVER |
| 13 | 412954501 | BOTTOM PLATE |
| 14 | 412305001 | BASEPLATE RUBBER FOOT |
| 15 | 9303311855000 | SCREW 3X8 |

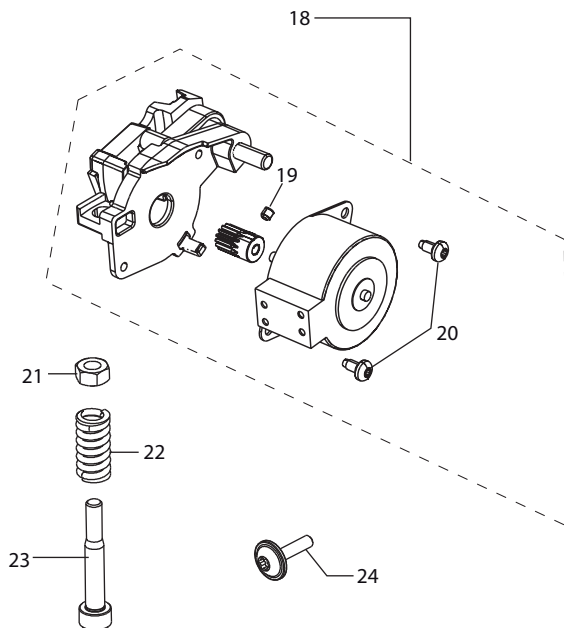
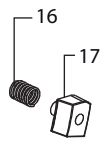
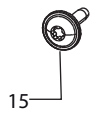
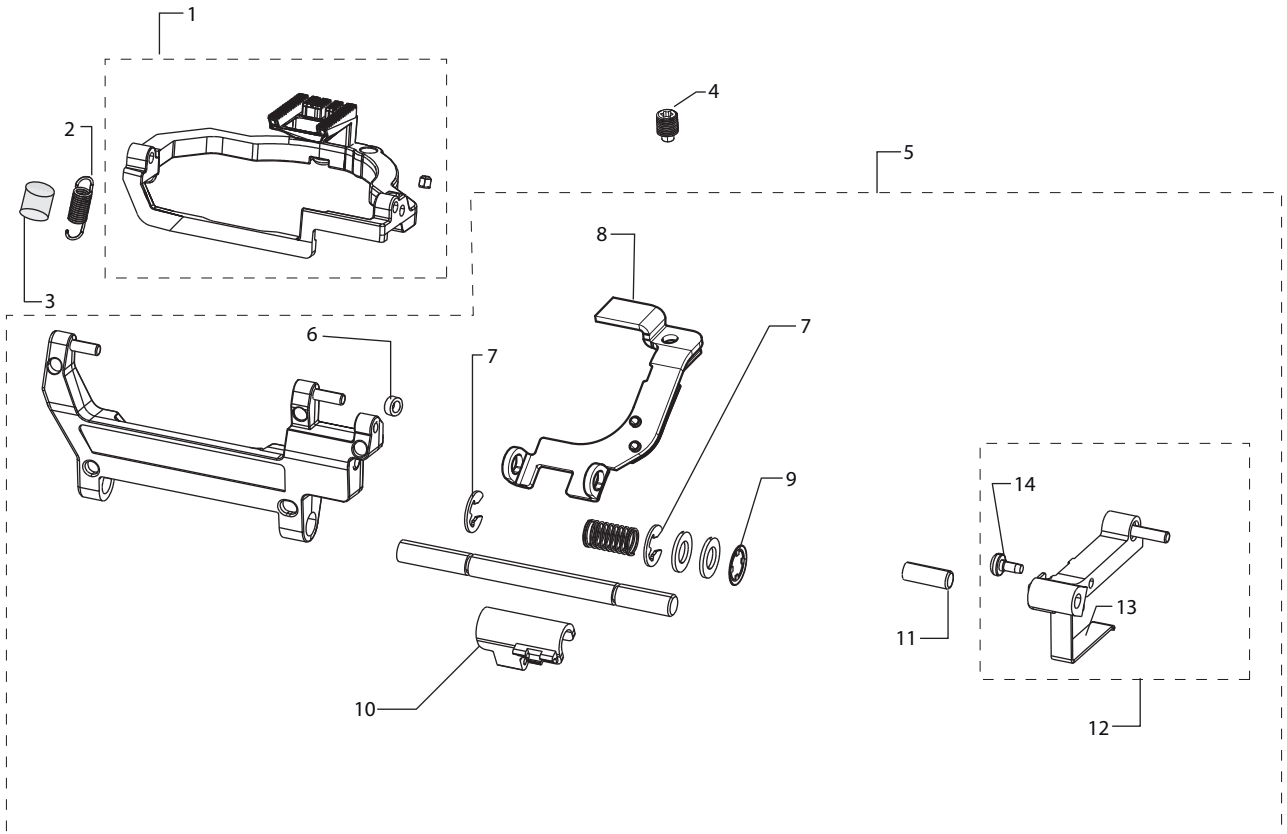
Designer Topaz 50

D



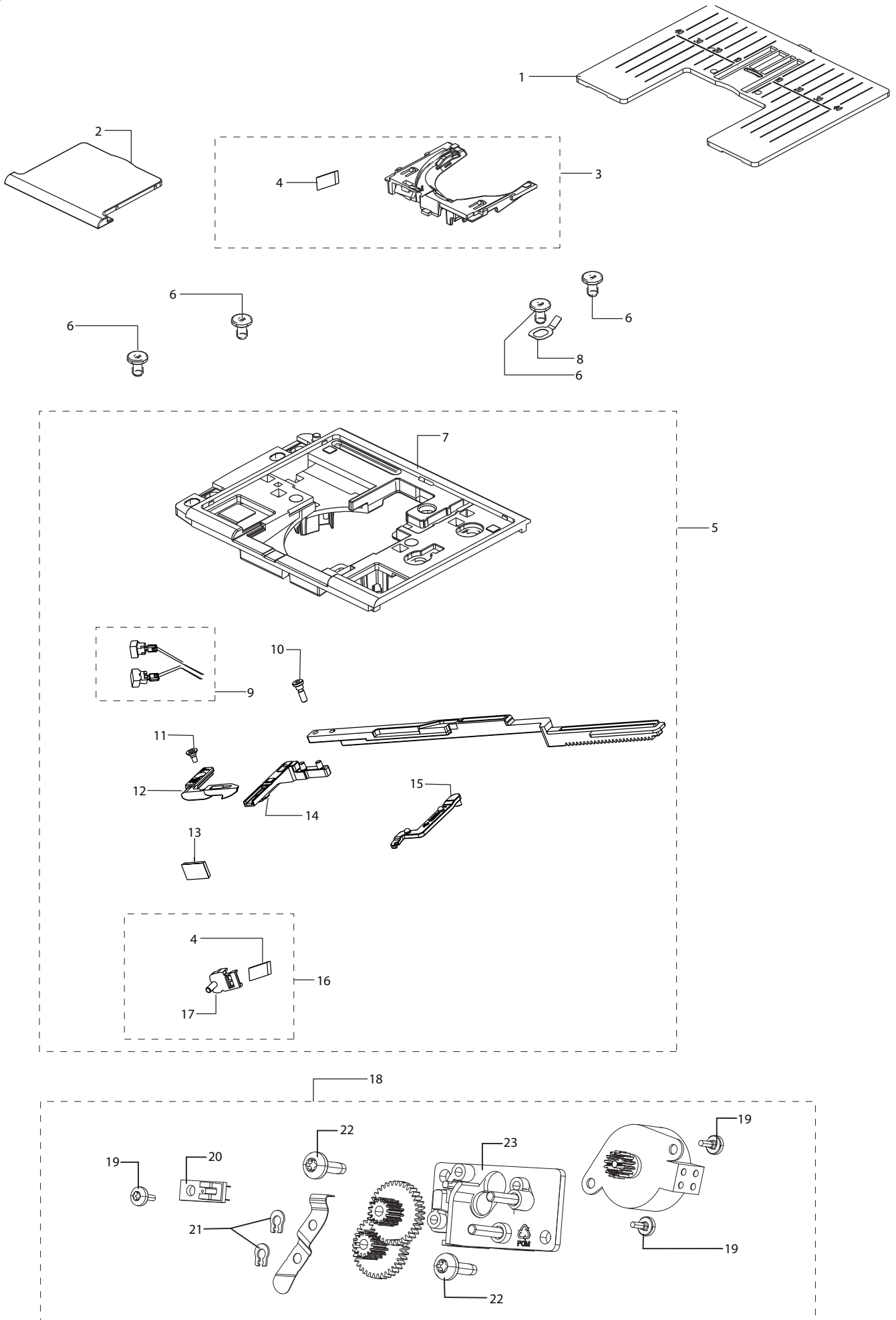
| | | |
|----|---------------|---------------------------------|
| 1 | 413056901 | CABLE MAIN MOTOR |
| 2 | 413317201 | SPACER BLOCK MOTOR |
| 3 | 412353302 | DRIVING WHEEL MOTOR 350,400,500 |
| 4 | 412999902 | RUBBER DAMPER |
| 5 | 413020201 | COG BELT MOTOR |
| 6 | 412971902 | BELT STRETCHER CPL. |
| 7 | 735613640 | COMPRESSION RINGS Ø4 |
| 8 | 413286401 | THREAD GUIDE |
| 9 | 412211415 | SCREW M4*20 TORX |
| 10 | 413024101 | CABLE LOCATOR |
| 11 | 9233011191000 | ENGINE DOMEL |

E



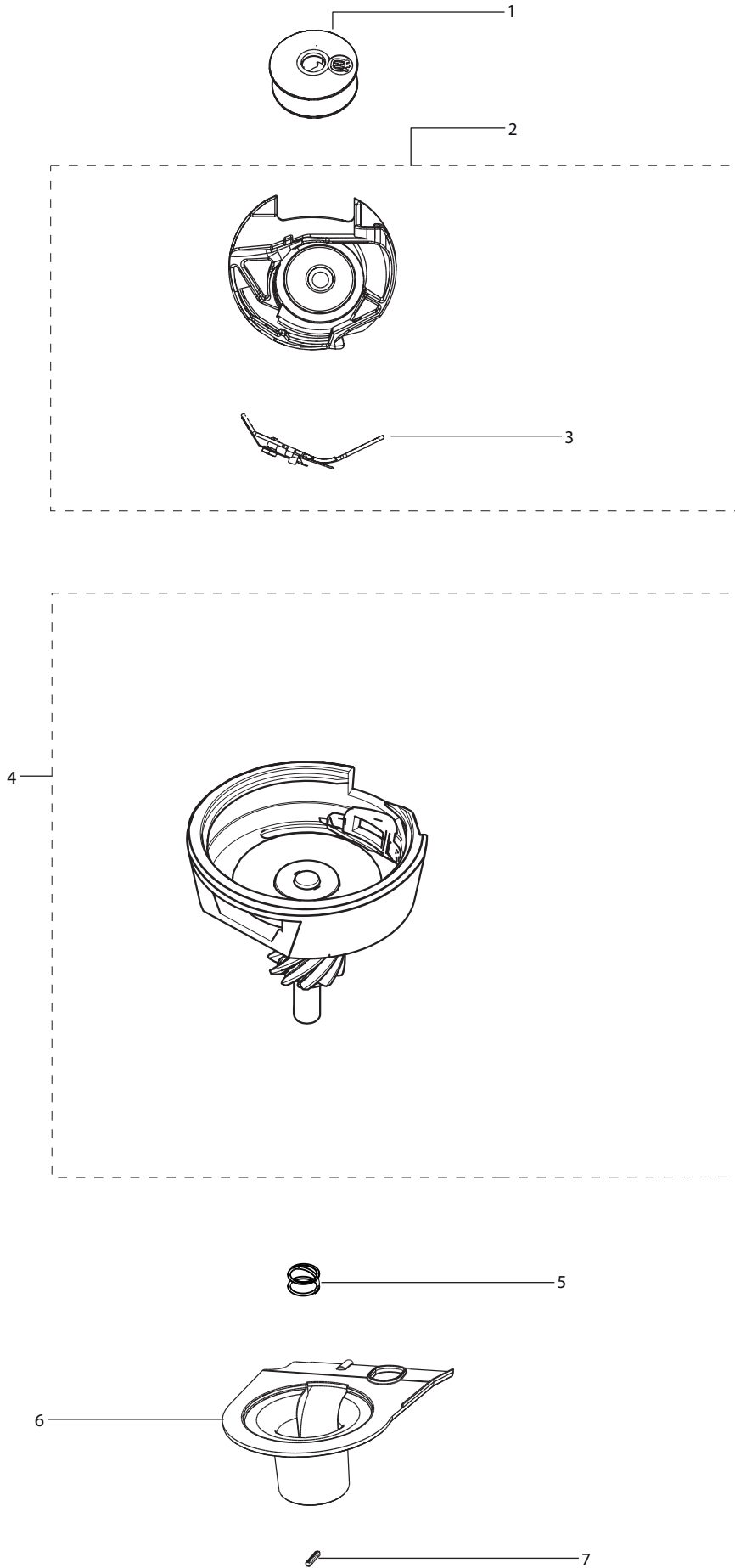
| | | |
|----|-----------|--------------------------------|
| 1 | 413201301 | FEED DOG CPL. |
| 2 | 413270001 | TENSION SPRING, FRAME FEED DOG |
| 3 | 413112601 | BUFFER |
| 4 | 413201201 | ADJUSTMENT SCREW, FEEDER |
| 5 | 413269013 | CARRIGE FEED CPL. (BOX) |
| 6 | 413007801 | SPACER, FEED |
| 7 | 735310920 | SNAP RING E-5 |
| 8 | 413200901 | LEVER FEED LIFT CPL. |
| 9 | 412368001 | LOCK WASHER |
| 10 | 413004701 | INSERT, LEVER FEED LIFT |
| 11 | 412316023 | INA PIN NRB 4*19,8 0-2UM |
| 12 | 412961602 | LINK, CARRIAGE FEED CPL. |
| 13 | 412961501 | SPRING, FEED |
| 14 | 412056004 | SCREW TAPTITE M3*6 TORX |
| 15 | 413169401 | COLLAR SCREW TT TORX 4*14 |
| 16 | 412961701 | SPRING, SLIDING BLOCK |
| 17 | 412961801 | BLOCK, GUIDE |
| 18 | 412963501 | STEPPING MOTOR UNIT, FEED |
| 19 | 411968703 | SET SCREW FLAT M3*3 TORX |
| 20 | 412056011 | SCREW TAPTITE M3*5 TORX |
| 21 | 413025401 | NUT M5*0,5 |
| 22 | 412963601 | SPRING |
| 23 | 412963701 | SCREW BALANCE ADJUSTMENT |
| 24 | 413034402 | COLLAR SCREW M4*10, LEFT HAND |

G



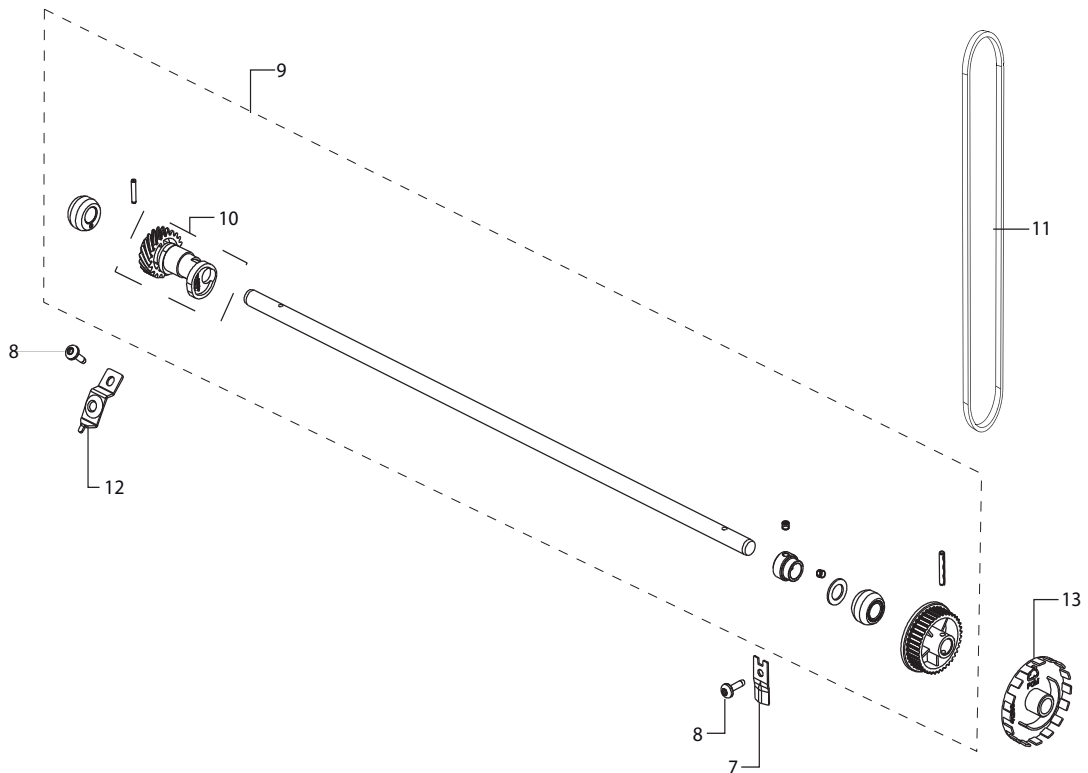
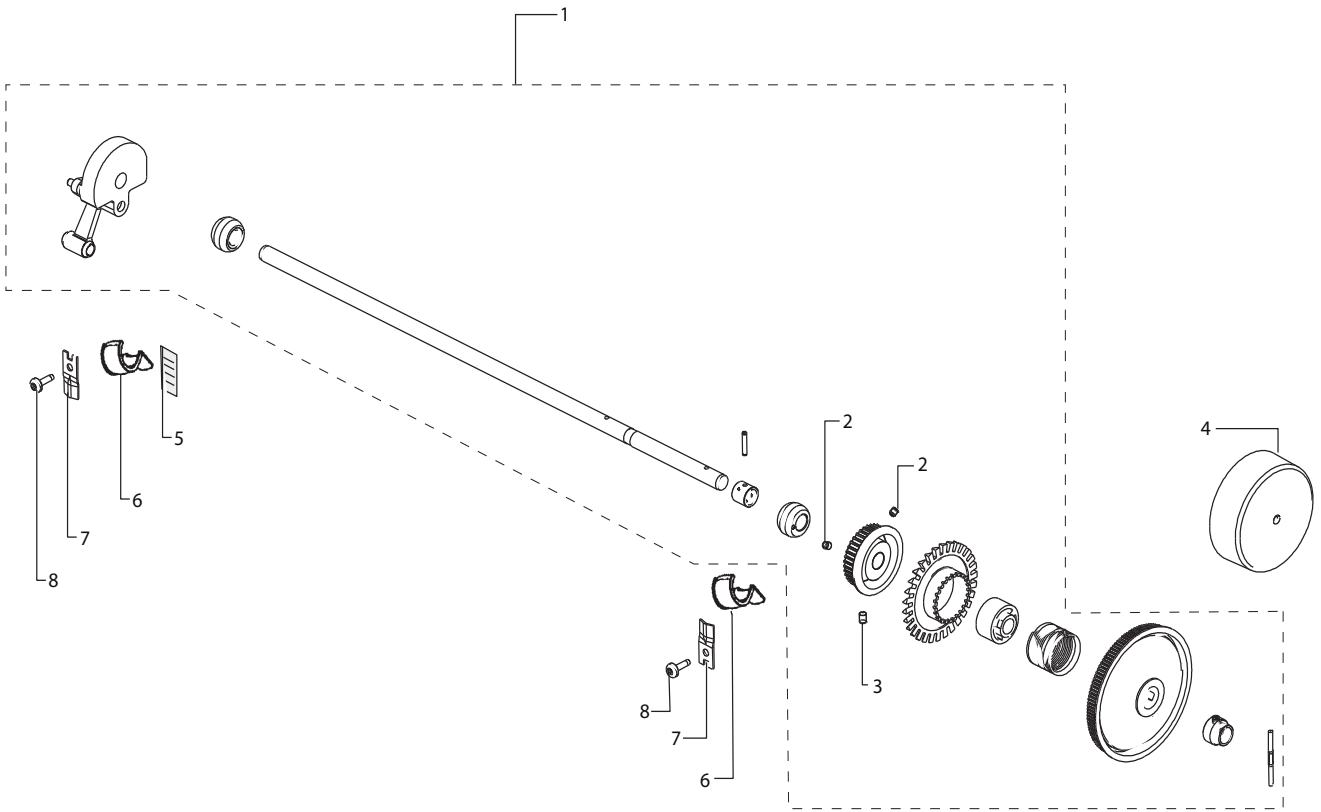
| | | |
|----|-----------|--------------------------------|
| 1 | 412964204 | STITCH PLATE |
| 2 | 412963901 | BOBBIN COVER |
| 3 | 413025601 | BOBBIN CASE HOLDER CPL. |
| 4 | 412423701 | THREAD CUTTER |
| 5 | 412964002 | HOOK COVER CPL. CUT. AND SENS. |
| 6 | 412287903 | SCREW M4*5 FZB |
| 7 | 412964105 | HOOK COVER |
| 8 | 412997701 | ESD SPRING, STITCH PLATE |
| 9 | 413101502 | CABLE ASS. BOBBIN SENSOR |
| 10 | 413010001 | GUIDE PIN |
| 11 | 412280501 | SCREW, COUNTERSUNK |
| 12 | 413007101 | FETCHER |
| 13 | 413116701 | THREAD BRAKE |
| 14 | 413072201 | CONNECTING PART, FETCHER |
| 15 | 413007301 | FETCHER UPPER THREAD |
| 16 | 413047301 | KNIFE HOLDER CPL. |
| 17 | 413007701 | KNIFE HOLDER |
| 18 | 413007402 | STEPPING MOTOR CPL. |
| 19 | 411966828 | SCREW PT 30*6 FZB TORX |
| 20 | 413072501 | CUT SENSOR ASS. |
| 21 | 735612440 | COMPRESSION RINGS Ø3 |
| 22 | 412056006 | SCREW TAPTITE M4*12 TORX |
| 23 | 413353001 | MOTOR PLATE CPL. |

H



| | | |
|---|-----------|---------------------|
| 1 | 413182545 | BOBBIN, GREEN |
| 2 | 413058903 | BOBBIN CASE CPL. |
| 3 | 412471601 | THREAD TENSION CPL. |
| 4 | 412876902 | HOOK CPL WITH SHAFT |
| 5 | 412930101 | SPRING, HOOK |
| 6 | 412964502 | DUST COVER |
| 7 | 728528705 | SCREW M4*8 |

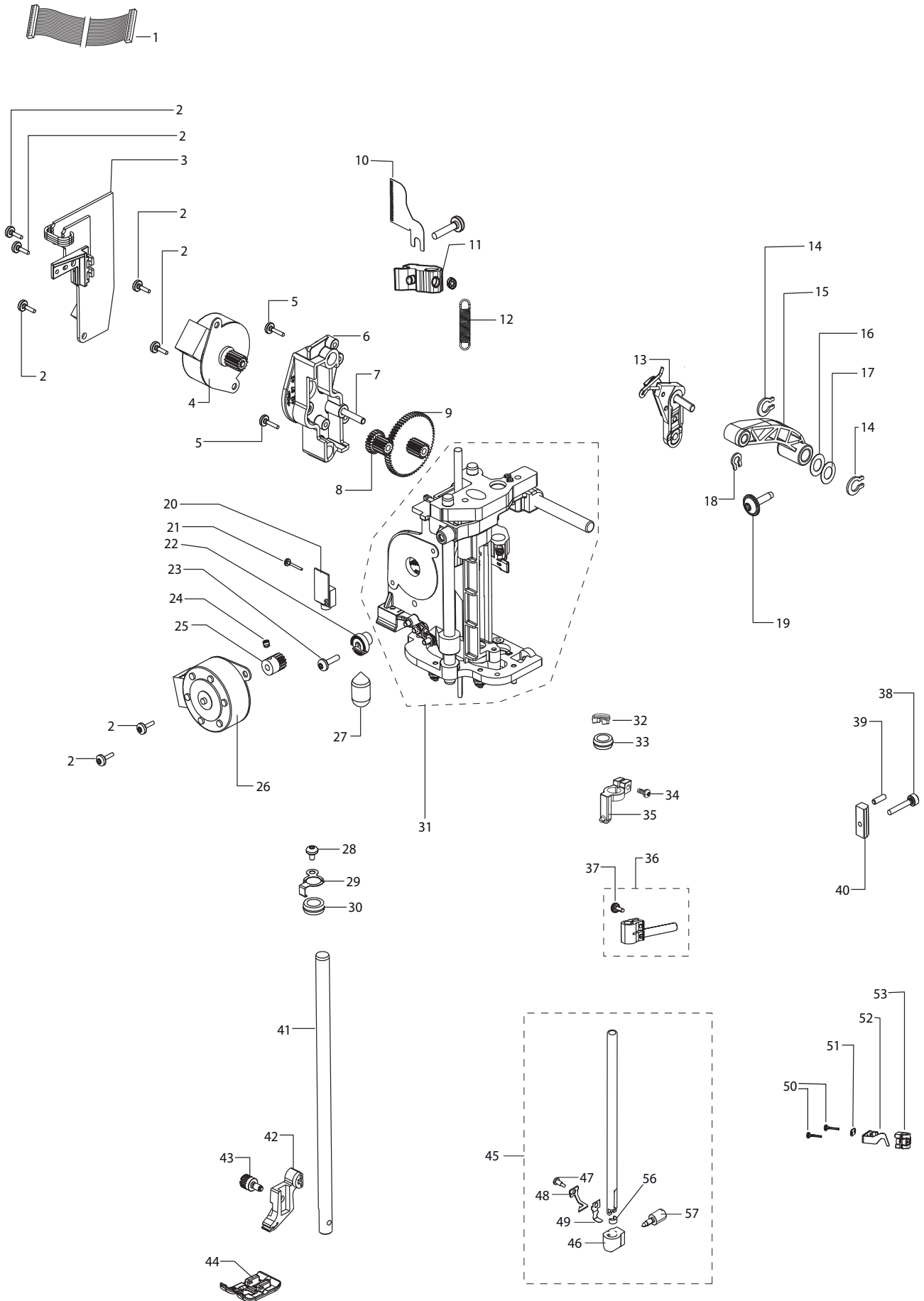
I



Designer Topaz 50

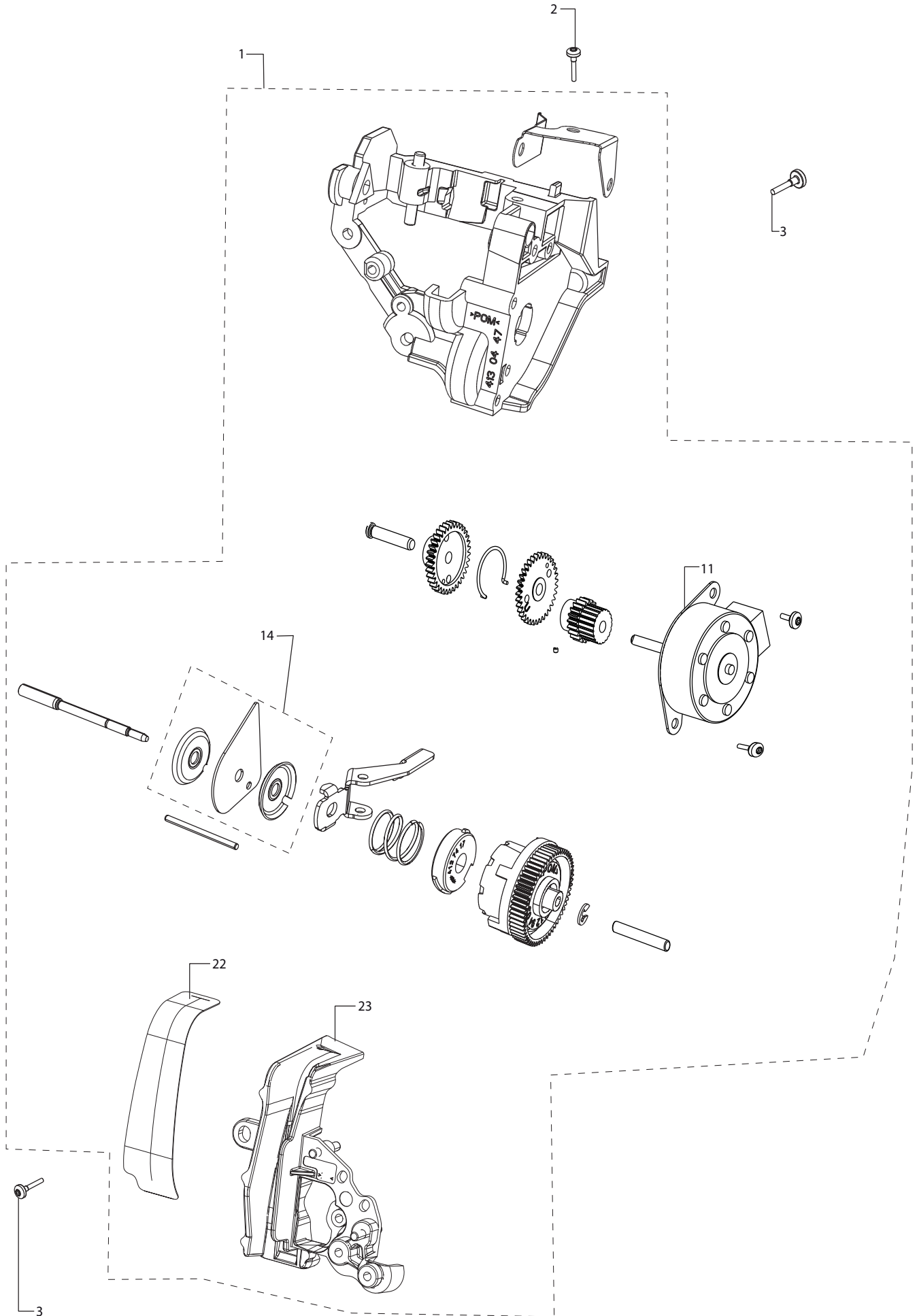
| | | |
|----|-----------|------------------------------|
| 1 | 412966706 | UPPER SHAFT CPL. TOPAZ 20 |
| | 412966712 | UPPER SHAFT CPL. TOPAZ 30 |
| 2 | 411968706 | SET SCREW FLAT, M4*4 TORX |
| 3 | 411968807 | SET SCREW POINTED M4*6 TORX |
| 4 | 412954601 | HAND WHEEL |
| 5 | 412687601 | GROUND TAPE |
| 6 | 412558401 | ABSORBER |
| 7 | 412328401 | CLAMP |
| 8 | 412056006 | SCREW TAPTITE M4*12 TORX |
| 9 | 412967903 | LOWER SHAFT CPL. (BOX) |
| 10 | 412964403 | ECCENTRIC FEED CPL. (BOX) |
| 11 | 413020301 | COG BELT UPPER-LOWER SHAFT |
| 12 | 412318101 | CLAMP LOWER SHAFT |
| 13 | 412968101 | SHIELD, REVOLUTION INDICATOR |

J



| | | |
|----|-----------|-------------------------------|
| 1 | 412546912 | CABLE ASSEMBLY (18P) |
| 2 | 411966801 | SCREW PT 30*7,5 FZB TORX |
| 3 | 413353801 | CONN.BOARD SERVO SENS. |
| 4 | 413005901 | STEPMOTOR P-FOOT PRESSURE |
| 5 | 411966820 | SCREW 30*10 FZB KOMBITORX |
| 6 | 412974201 | GEAR HOUSE, SERVO |
| 7 | 412316010 | INA PIN NRB 3*17,8 0-3UM |
| 8 | 412974301 | GEAR WHEEL SERVO PRIM. |
| 9 | 412974401 | GEAR WHEEL SERVO SEC. |
| 10 | 412973901 | SHIELD, PRESSER FOOT SERVO |
| 11 | 413261601 | GUIDE, SERVO CPL. |
| 12 | 413137602 | SPRING, PRESSER FOOT PRESSURE |
| 13 | 413300302 | TAKE UP LEVER |
| 14 | 735615340 | COMPRESSION RINGS Ø6 |
| 15 | 413047401 | LINK |
| 16 | 411980601 | WASHER |
| 17 | 412001301 | SPRING WASHER Ø6,1/9*0,1 |
| 18 | 735613640 | COMPRESSION RINGS Ø4 |
| 19 | 413169401 | COLLAR SCREW TT TORX 4*14 |
| 20 | 413031001 | BUTTONSENS. CONN. ASS. |
| 21 | 411966821 | SCREW PT 18*10 FZB TORX |
| 22 | 412966501 | CALIBRATION KNOB |
| 23 | 412211404 | SCREW M3*10 TORX |
| 24 | 411968703 | SET SCREW FLAT, M3*3 TORX |
| 25 | 413057201 | GEAR, Z-Z |
| 26 | 412993901 | STEPPING MOTOR |
| 27 | 413181802 | LAMP, 24V, 5W |
| 28 | 412211401 | SCREW M3*4 TORX |
| 29 | 413060301 | CLIPS, GABLE LOWER |
| 30 | 412500601 | BEARING |
| 31 | 413244201 | SEWING HEAD CPL. |
| 32 | 412504701 | CLAMP RING |
| 33 | 412501501 | BEARING 10/6,35-4 |
| 34 | 413019001 | SCREW K 30*8 PT WN 1452 S |
| 35 | 412993502 | STROKE LIMITER |
| 36 | 412993605 | CROSS HEAD |
| 37 | 412280504 | SCREW FS M3*10 FZB TORX |
| 38 | 725522805 | SCREW M3*16 INSEX |
| 39 | 728522205 | SOCKET SET SCREW FLAT POINT |
| 40 | 412966601 | WEDGE |
| 41 | 412285403 | PRESSER BAR |
| 42 | 412616145 | HOLDER, PRESSER FOOT |
| 43 | 412409701 | SCREW PRESSER SHAFT |
| 44 | 412764001 | PRESSER FOOT A 7 MM |
| 45 | 68008797 | NEEDLE BAR CPL HV. |
| 46 | 413242301 | NEEDLE CLAMP HV |
| 47 | 413094701 | SCREW THREAD GUIDE |
| 48 | 68008796 | THREAD GUIDE |
| 49 | 413304201 | THREAD LOCK, NEEDLE HOLDER |
| 50 | 411966825 | SCREW PT 16*8 FZB TORX |
| 51 | 412876701 | WASHER, NEEDLE THREADER |
| 52 | 413238402 | NEEDLE THREADER |
| 53 | 413053601 | HOLDER, NEEDLE THREADER |
| 56 | 68016246 | STOP, NEEDLE CLAMP |
| 57 | 413373001 | SCREW, NEEDLE HOLDER HV |

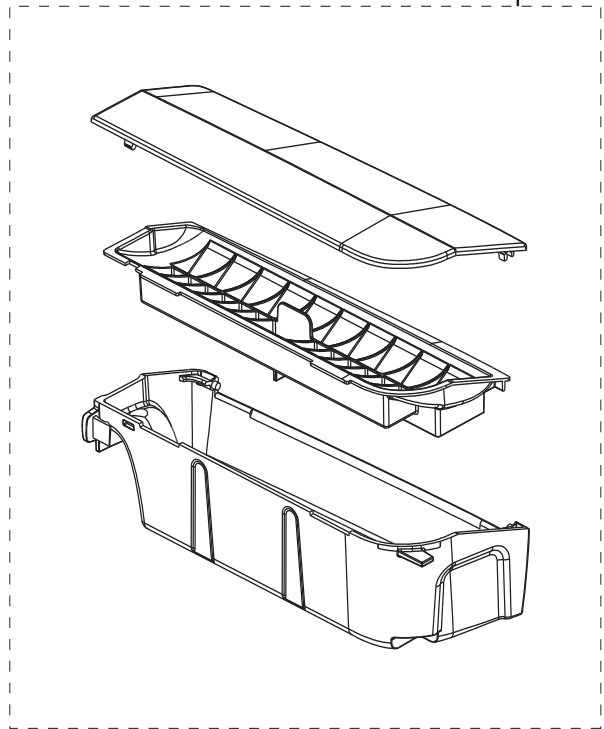
K



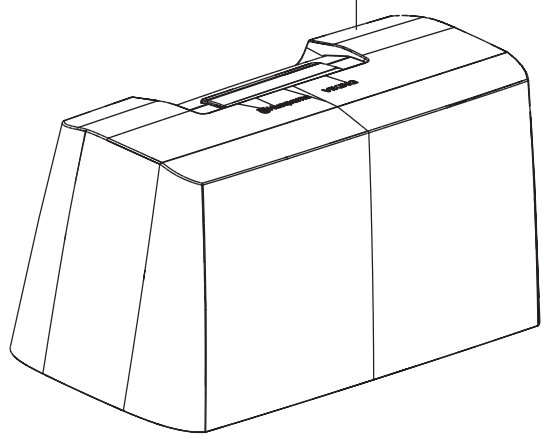
| | | |
|----|-----------|------------------------------------|
| 1 | 412940208 | THREAD TENSION ASS. |
| 2 | 412056006 | SCREW M4*12 TORX |
| 3 | 411966807 | SCREW PT 40*10 FZB TORX |
| 11 | 412993903 | STEPPING MOTOR |
| 14 | 413106402 | THREAD DISK KIT |
| 22 | 413218502 | PROTECTION, THREAD TAKE UP, VER. 2 |
| 23 | 413232201 | SHIELD, TAKE UP LEVER ASS. VER. 2 |

L

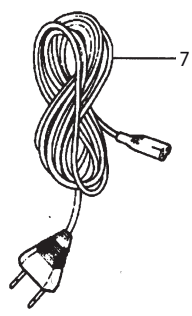
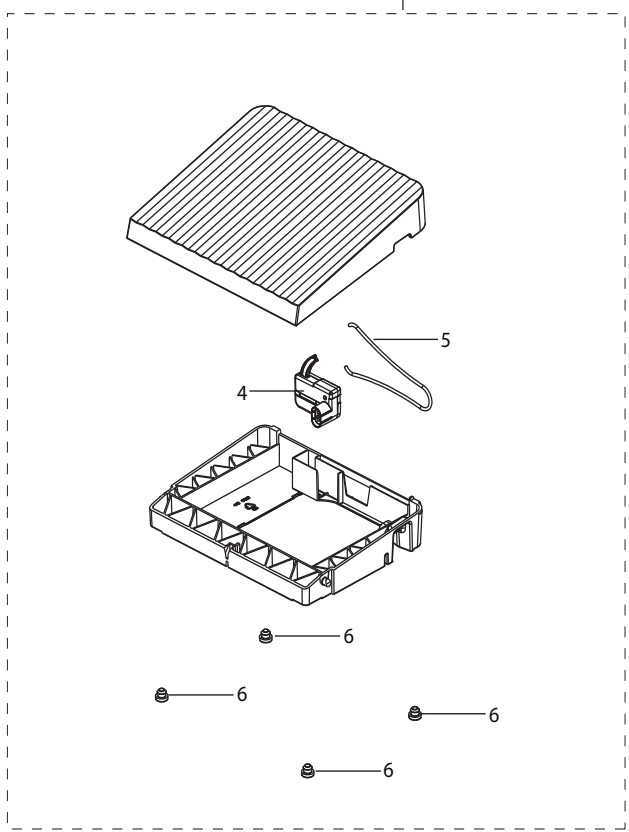
1



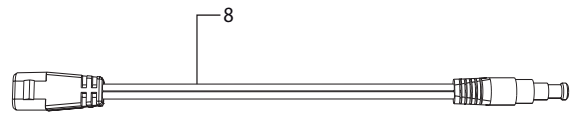
2



3



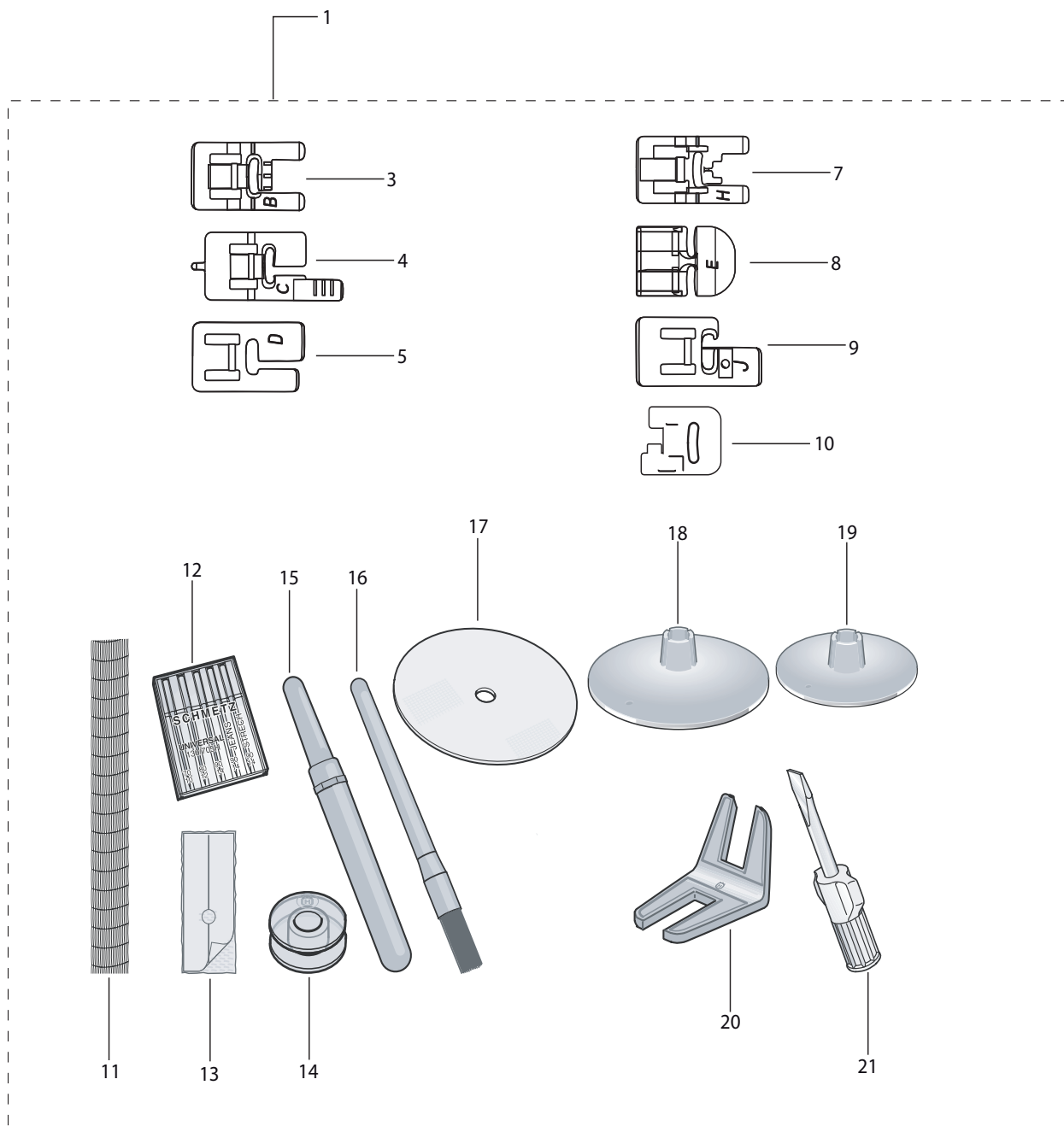
7



8

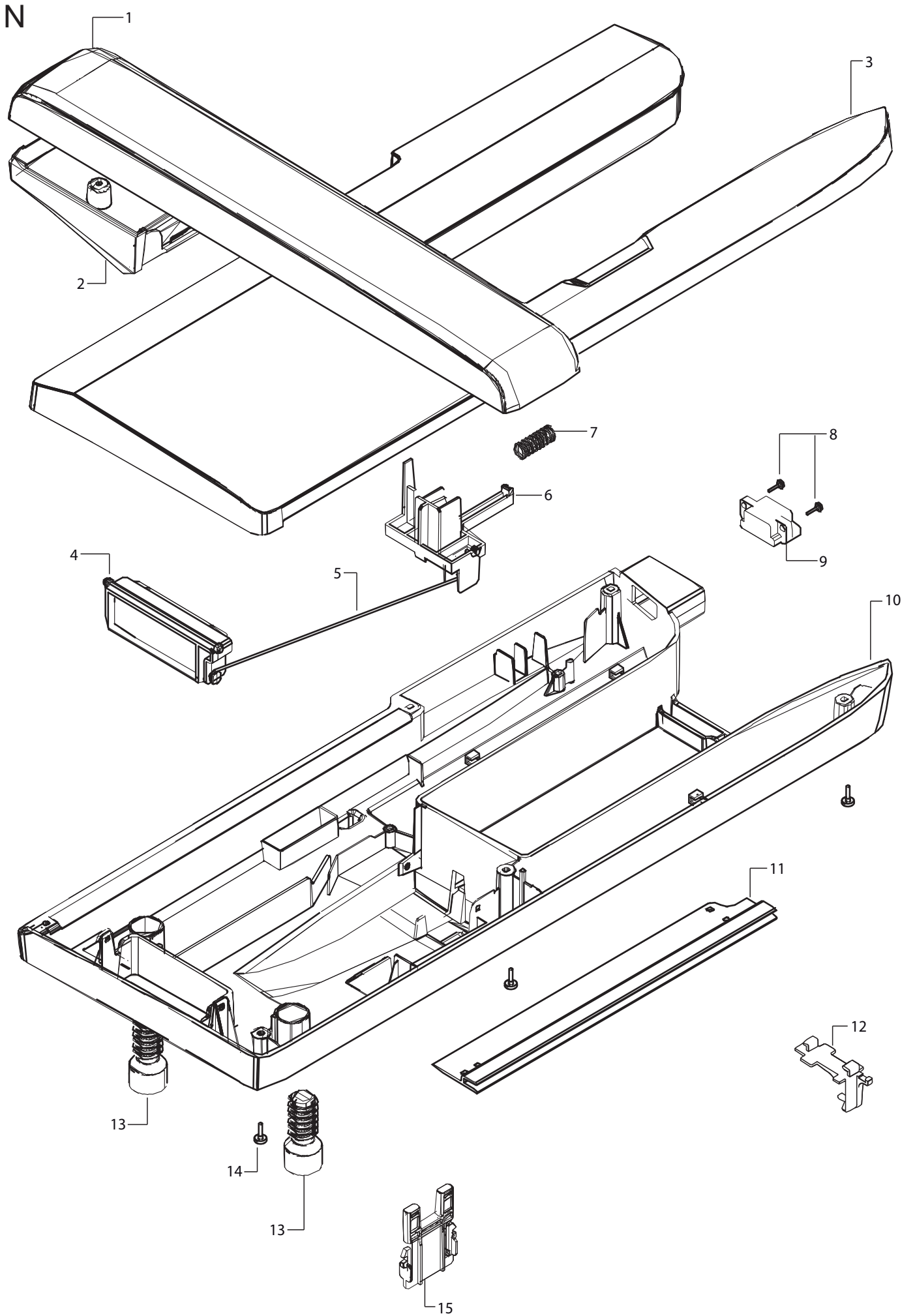
| | | |
|---|-----------|---------------------------------|
| 1 | 412983901 | ACCESSORIES BOX CPL. |
| 2 | 413018703 | HARD COVER CPL. |
| 3 | 412991402 | FOOT CONTROL CPL. WHITE N. WIND |
| 4 | 412318901 | CONTROL UNIT INCL. CARD CV |
| 5 | 412159801 | SPRING |
| 6 | 412184501 | FOOT |
| 7 | 412157801 | NET CABLE 220V |
| | 412157902 | NET CABLE 120V JP |
| | 412157903 | NET CABLE 120V |
| | 412158002 | NET CABLE GB |
| | 412158101 | NET CABLE AU |
| 8 | 413021501 | CABLE, FOOT CONTROL |

M



| | | |
|----|-----------|-----------------------------|
| 1 | 413358503 | STD ACC. CPL. |
| 3 | 413113646 | PRESSER FOOT B |
| 4 | 412785345 | BUTTONHOLE PRESSER FOOT C |
| 5 | 412380445 | BLIND HEM FOOT D |
| 7 | 412796145 | SMOOTH GLIDE FOOT H |
| 8 | 412801501 | ZIPPER PRESSER FOOT |
| 9 | 412380645 | EDGING PRESSER FOOT J |
| 10 | 412849801 | EMBROIDERY FOOT R CPL. |
| 11 | 412397701 | THREAD NET 15*100 |
| 12 | 620071196 | NEEDLES |
| 13 | 412827401 | GLIDE SOLE, BUTTONHOLE FOOT |
| 14 | 413182545 | BOBBIN, GREEN |
| 15 | 401539901 | SEAM RIPPER |
| 16 | 401555501 | BRUSH |
| 17 | 412610701 | FELT PAD |
| 18 | 413051603 | SPOOL HOLDER 45 MM |
| 19 | 413051601 | SPOOL HOLDER 22MM |
| 20 | 413105601 | CLEARANCE PLATE |
| 21 | 412381501 | SCREW DRIVER |
| 22 | 412693408 | STYLUS |
| 24 | 413095709 | USB STICK 1GB |

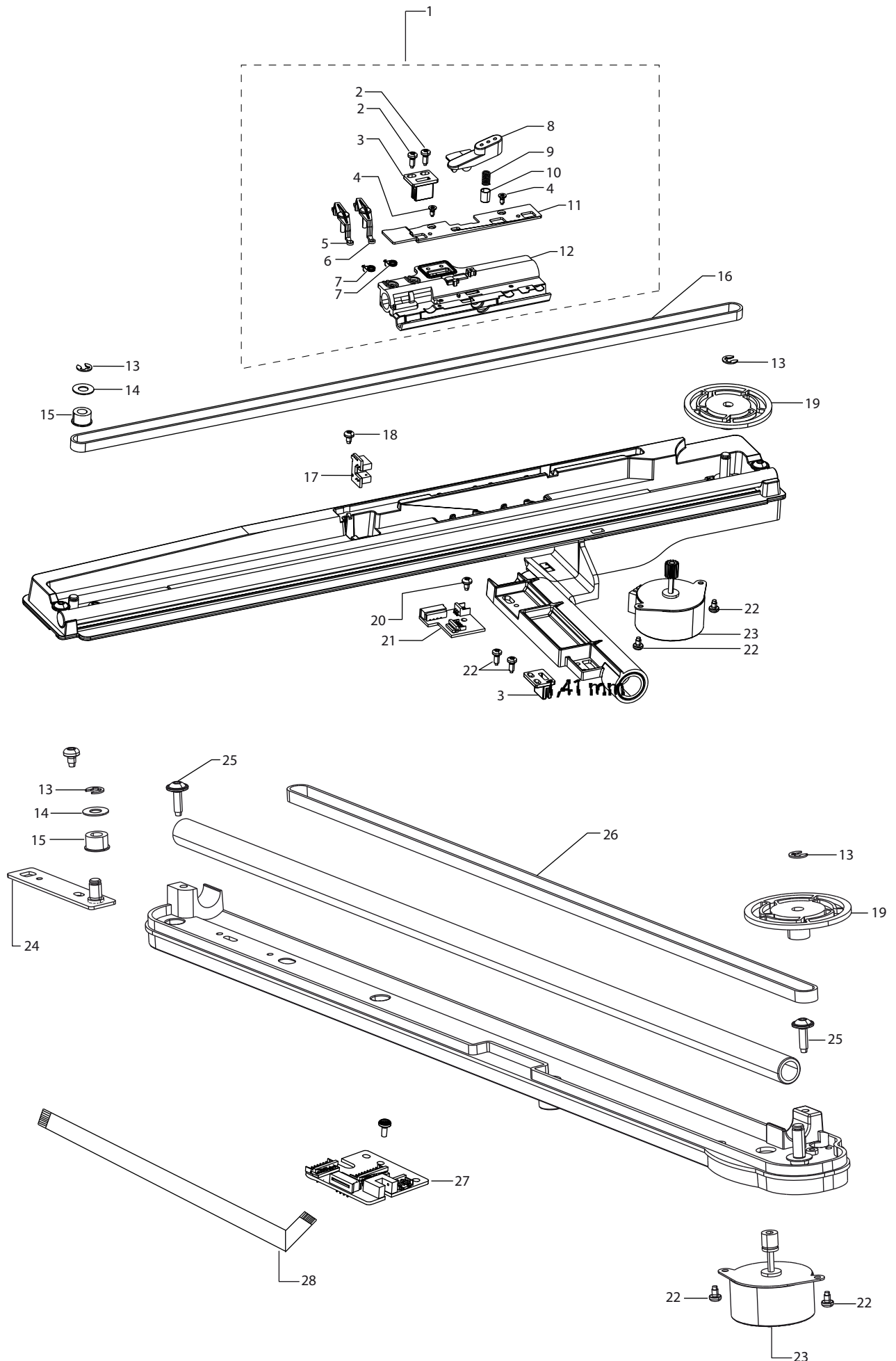
Designer Topaz 50



| | | |
|----|-----------|-----------------------------|
| 1 | 413120301 | COVER, Y-ARM, Y=360 |
| 2 | 413120401 | MOTOR COVER Y-ARM, Y=360 |
| 3 | 413161001 | TOP COVER XY-UNIT X=200 |
| 4 | 413027701 | HANDLE LATCH |
| 5 | 413027803 | CONNECTING ROD, LATCH X=200 |
| 6 | 413027601 | LATCH |
| 7 | 412721401 | SPRING, LATCH P08-E |
| 8 | 411966820 | SCREW 30*10 FZB KOMBITORX |
| 9 | 413028801 | CABLING, XY-UNIT CPL. |
| 10 | 413160901 | BOTTOM COVER XY-UNIT X=200 |
| 11 | 413161101 | GUIDE, XY-UNIT X=200 |
| 12 | 413119802 | SUPPORT ARM, Y-ARM |
| 13 | 413028502 | FOOT, XY-UNIT CPL. |
| 14 | 412056006 | SCREW TAPTITE M4*12 TORX |
| 15 | 413030101 | TRANSPORT LOCKING DEVICE |

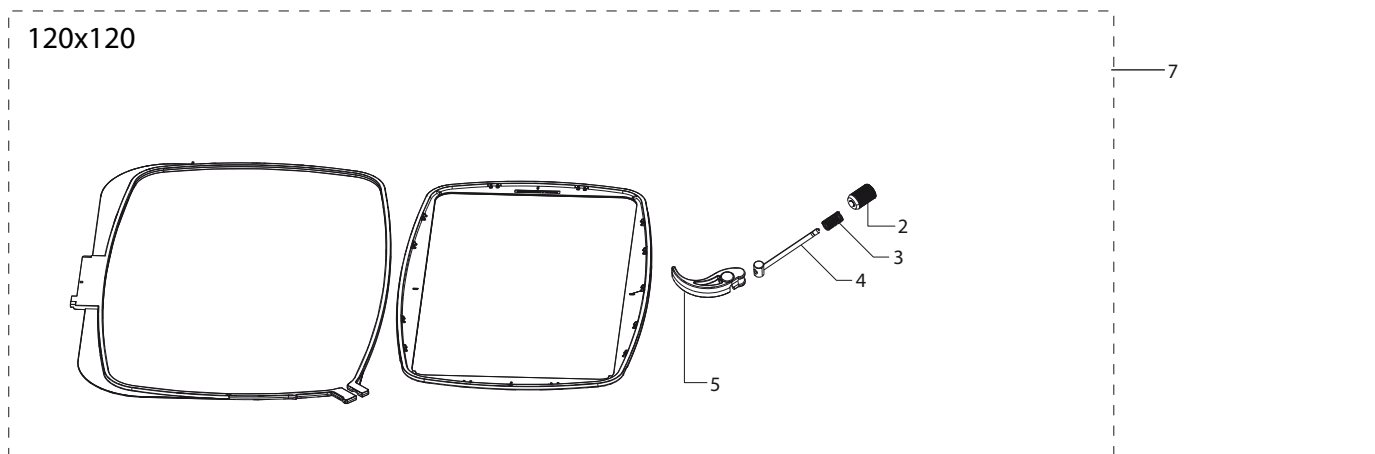
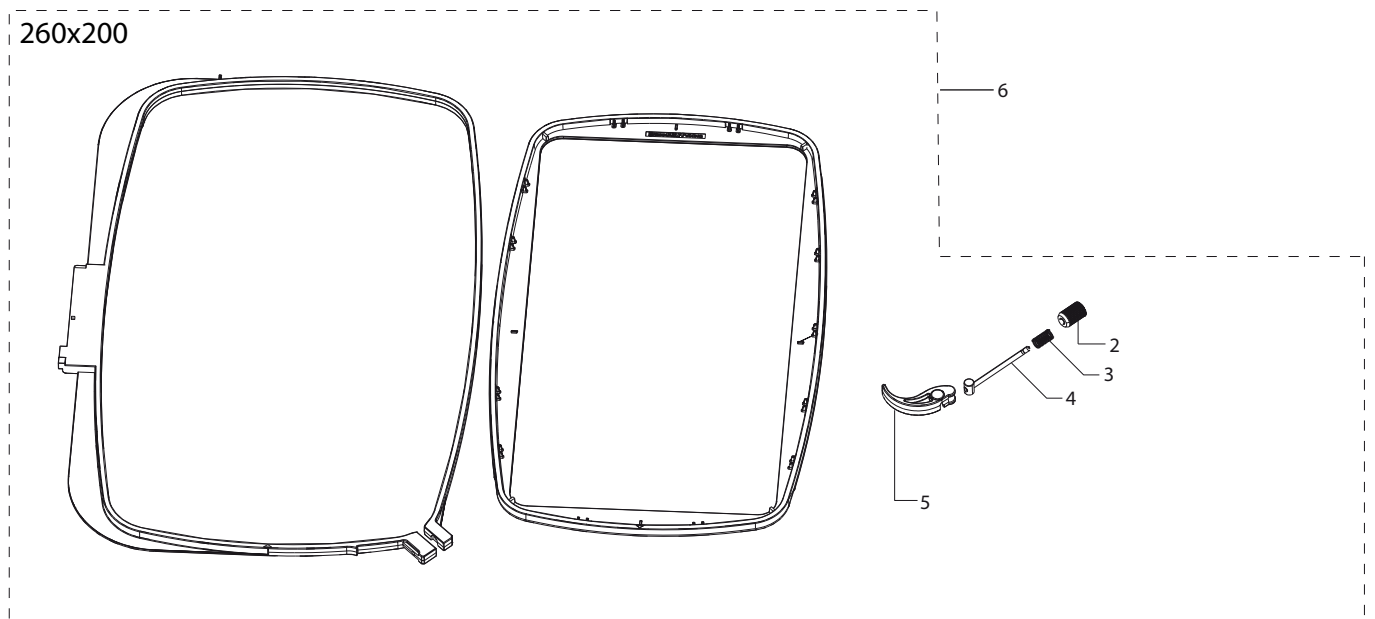
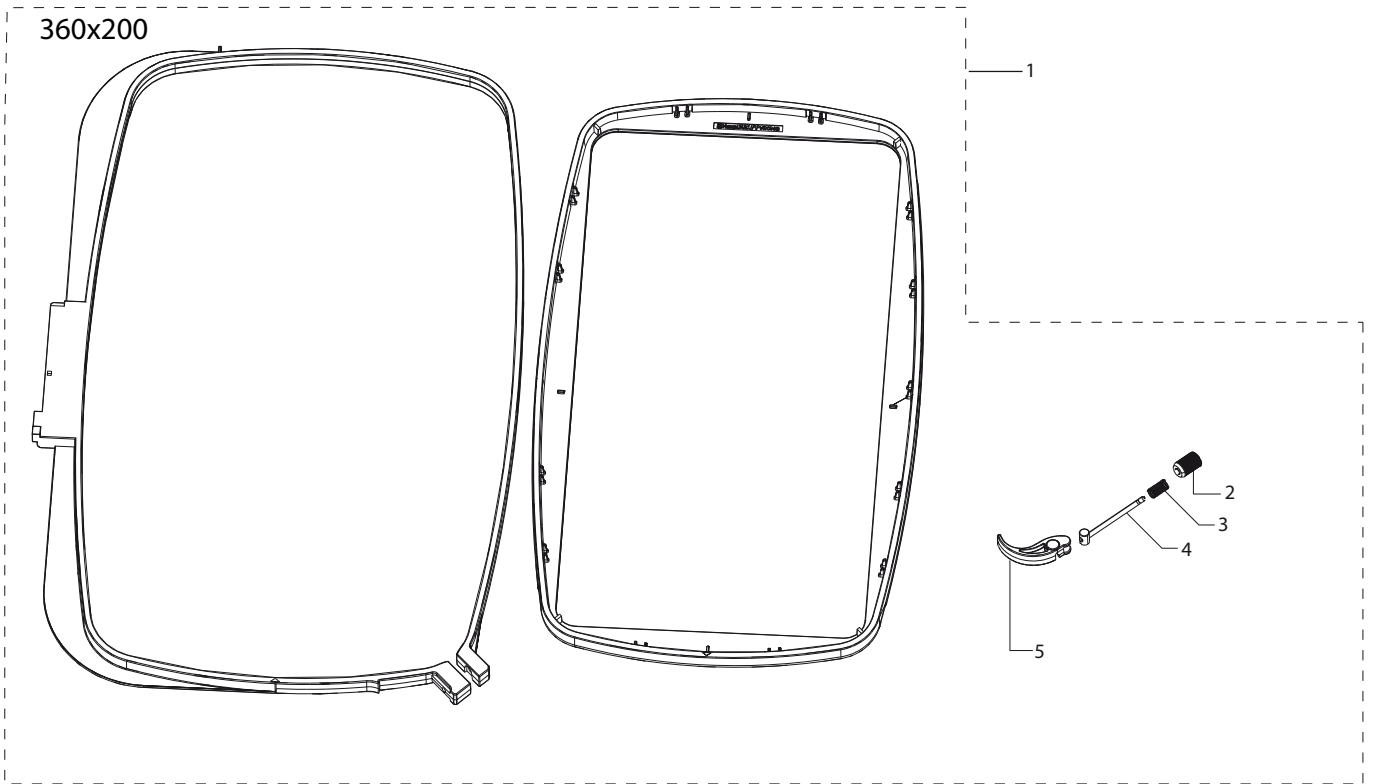
Designer Topaz 50

0



| | | |
|----|-----------|---------------------------------|
| 1 | 413026701 | Y-SLED, CPL. |
| 2 | 411966801 | SCREW PT 30*7,5 FZB TORX |
| 3 | 412525301 | HOLDER BELT |
| 4 | 411967306 | SCREW PT FS 25*6 OXSV TORX |
| 5 | 412749801 | SENSOR EMBROIDERY FRAME |
| 6 | 412525402 | SENSOR EMBROIDERY FRAME |
| 7 | 412555701 | SPRING |
| 8 | 413030201 | LOCKING ARM Y-SLED |
| 9 | 412526601 | SPRING |
| 10 | 412590003 | SLEEVE |
| 11 | 413026901 | PANEL Y-SLED CPL. |
| 12 | 413026801 | Y-SLED |
| 13 | 735310820 | LOCK WASHER 4 |
| 14 | 412384301 | WASHER 6/13 *0,6 |
| 15 | 412384202 | COG WHEEL |
| 16 | 413027201 | SYNCHRONOUS BELT XY-UNIT |
| 17 | 413029601 | BOARD, HOOP DETECTION CPL. |
| 18 | 412056011 | SCREW TAPTITE M3*5 TORX |
| 19 | 412524601 | GEAR WHEEL |
| 20 | 412056001 | SCREW TAPTITE M5*14 TORX |
| 21 | 413029301 | BOARD, Y-ARM CPL. |
| 22 | 412056004 | SCREW TAPTITE M3*6 TORX |
| 23 | 413029901 | STEPPER MOTOR XY-UNIT CPL. |
| 24 | 412524901 | PLATE, BELT TENSION CPL. |
| 25 | 412281904 | SCREW FLANGE M4*10 TAPTITE TORX |
| 26 | 412526702 | Y-BELT |
| 27 | 413029003 | BOARD, XY-UNIT CPL, 360*200 |
| 28 | 412388107 | FLEX CABLE |

P



| | | |
|---|-----------|-------------------------------|
| 1 | 412944501 | EMBROIDERY FRAME CPL. 360*200 |
| 2 | 412996501 | NUT EMBROIDERY FRAME |
| 3 | 412620701 | SPRING, EMBROIDERY HOOP |
| 4 | 412956204 | SCREW CPL. HOOP |
| 5 | 412984701 | LOCKING HANDLE EMBR. HOOP |
| 6 | 413116501 | EMBROIDERY FRAME 260*200 |
| 7 | 412968201 | EMBROIDERY FRAME CPL. 120*115 |