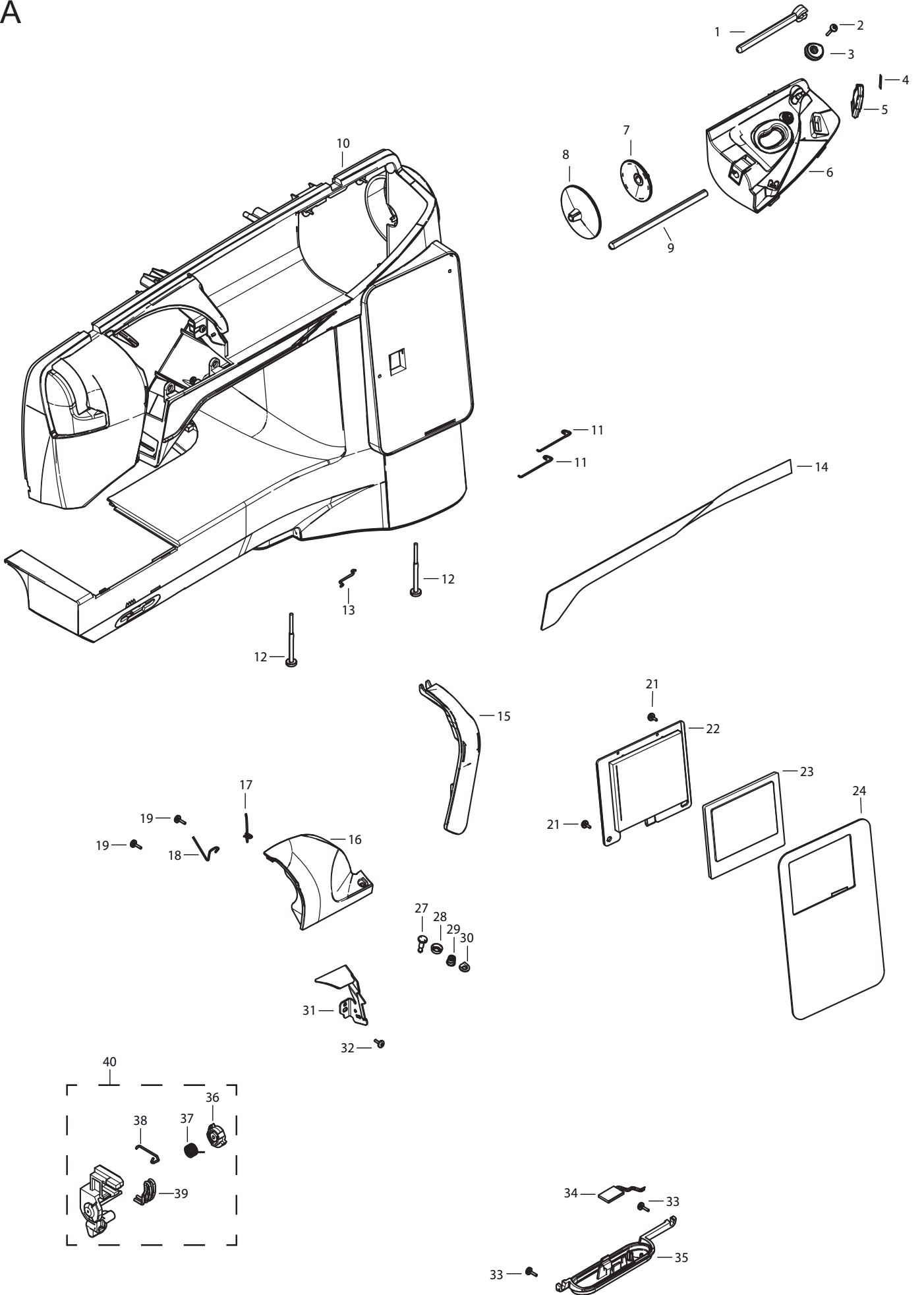


Parts list

Designer
Topaz^{™ 25}

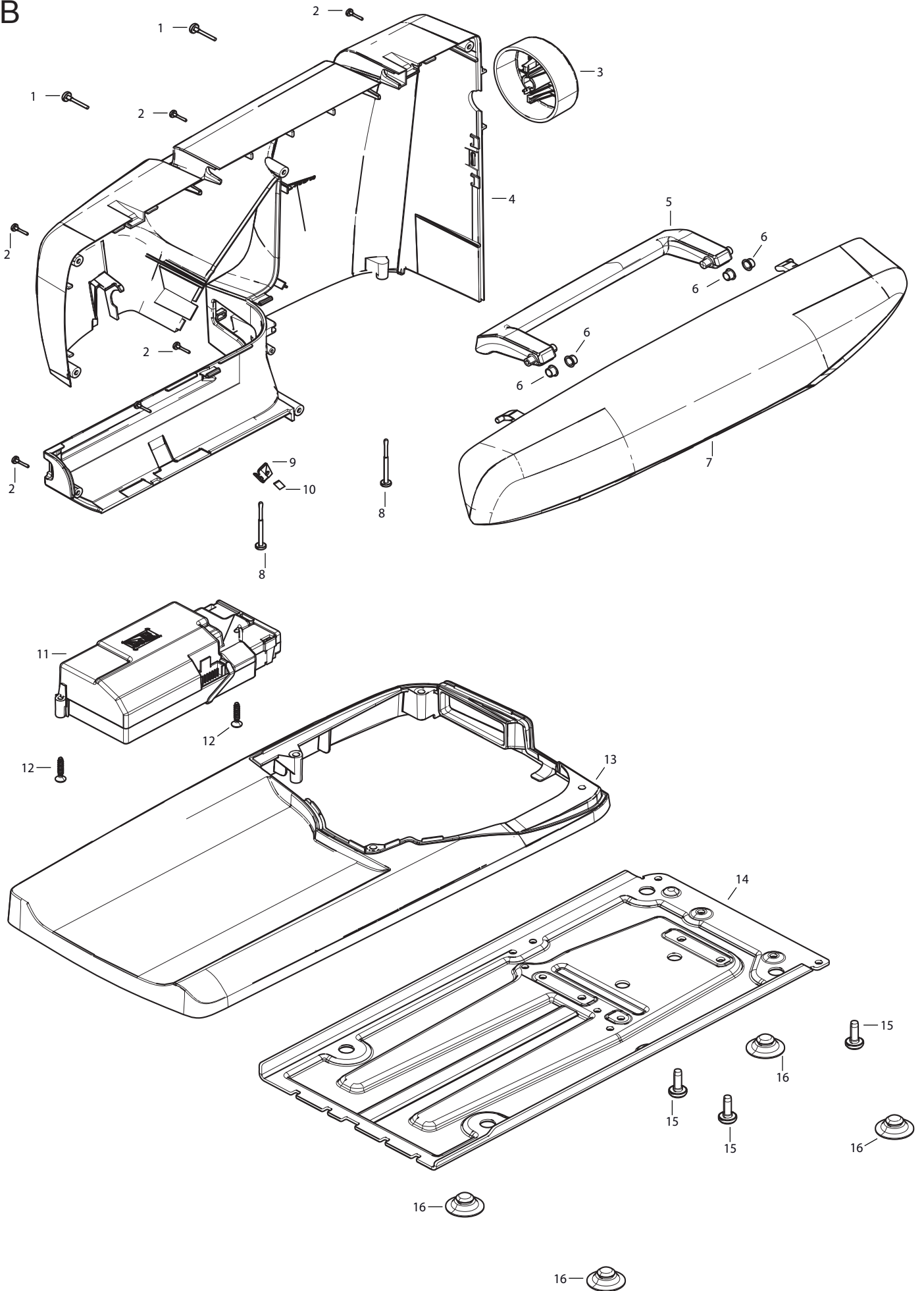
A



1	412960401	THREAD REEL PIN
2	411966803	SCREW
3	412979601	WINDING STOP
4	412423701	THREAD CUTTER
5	413022501	COVER THREAD KNIFE CPL WIN. AV.
6	413330001	COVER BOBBIN WINDING
7	413051602	SPOOL HOLDER 35MM
8	413051603	SPOOL HOLDER 45MM
9	412521001	REEL PIN
10	413320804	FRONT COVER TOPAZ 25
11	412558001	THREAD SUPPORT
12	411966812	SCREW 40*40 FZB TORX
13	413341401	THREAD SUPPORT
14	413384902	KEYBOARD TOPAZ 25
15	413331101	THREAD GUIDE
16	413331201	COVER THREAD TENSION
17	413346801	THREAD GUIDE
18	413346701	THREAD GUIDE
19	411966820	SCREW PT 30*10 FZB TORX
21	411966828	SCREW PT 30*6 FZB TORX
22	413381601	PCB ASSEMBLY LCD TOPAZ 25
23	412977301	GLASS
24	413385101	KEYBOARD PANEL TOPAZ 25
27	412982601	PIN, THREAD GUIDE
28	412549801	WASHER
29	412521401	SPRING
30	412982701	GLIDE PLATE
31	412981303	THREAD GUIDE CPL.
32	411966820	SCREW PT 30*10 FZB TORX
33	411966801	SCREW PT 30*7,5 FZB TORX
34	413325801	LED LIGHT ASSEMBLY
35	413346601	LED WINDOW
36	413004301	ADJUSTING SLEEVE
37	412519202	CHECK SPRING
38	413004501	THREAD CONTROL, THREAD SENSOR
39	412519301	THREAD GUIDE
40	413004004	THREAD SENSOR CPL.
41	413386901	USB COVER

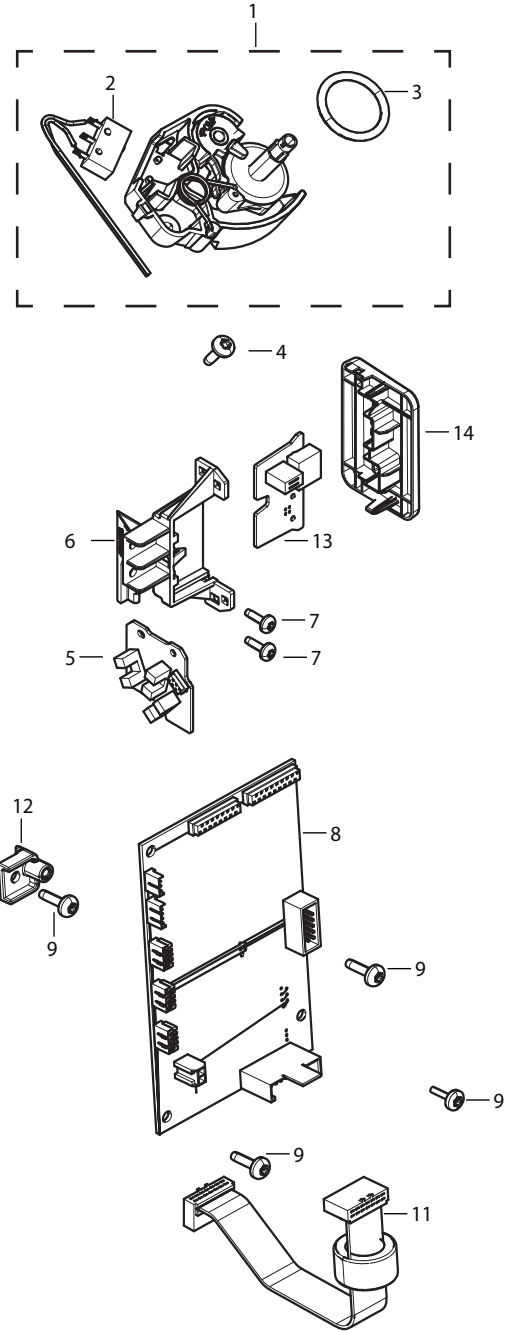
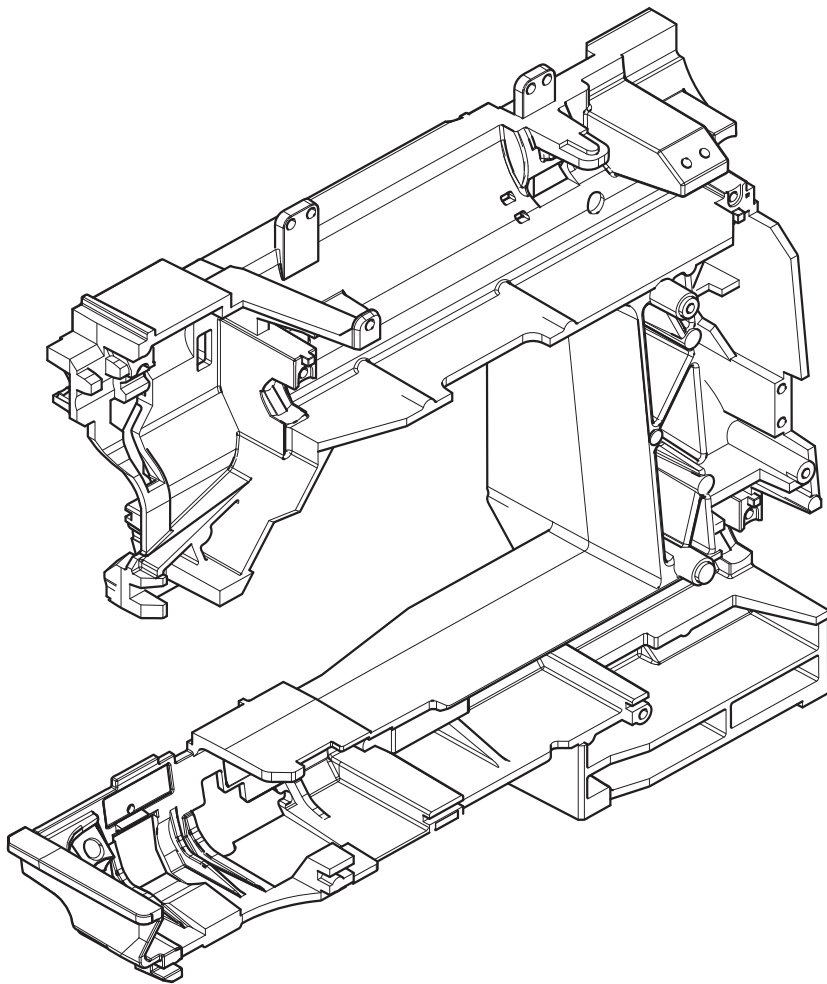
Designer Topaz 25

B



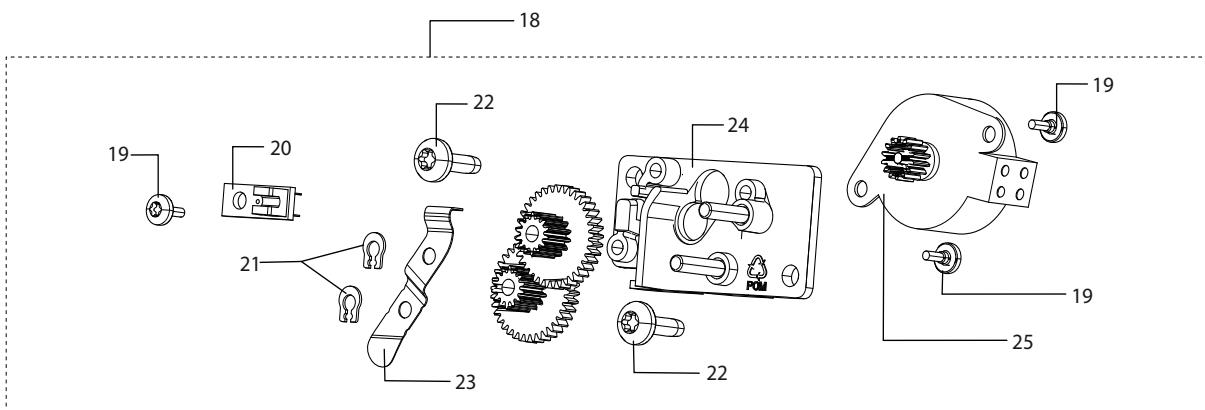
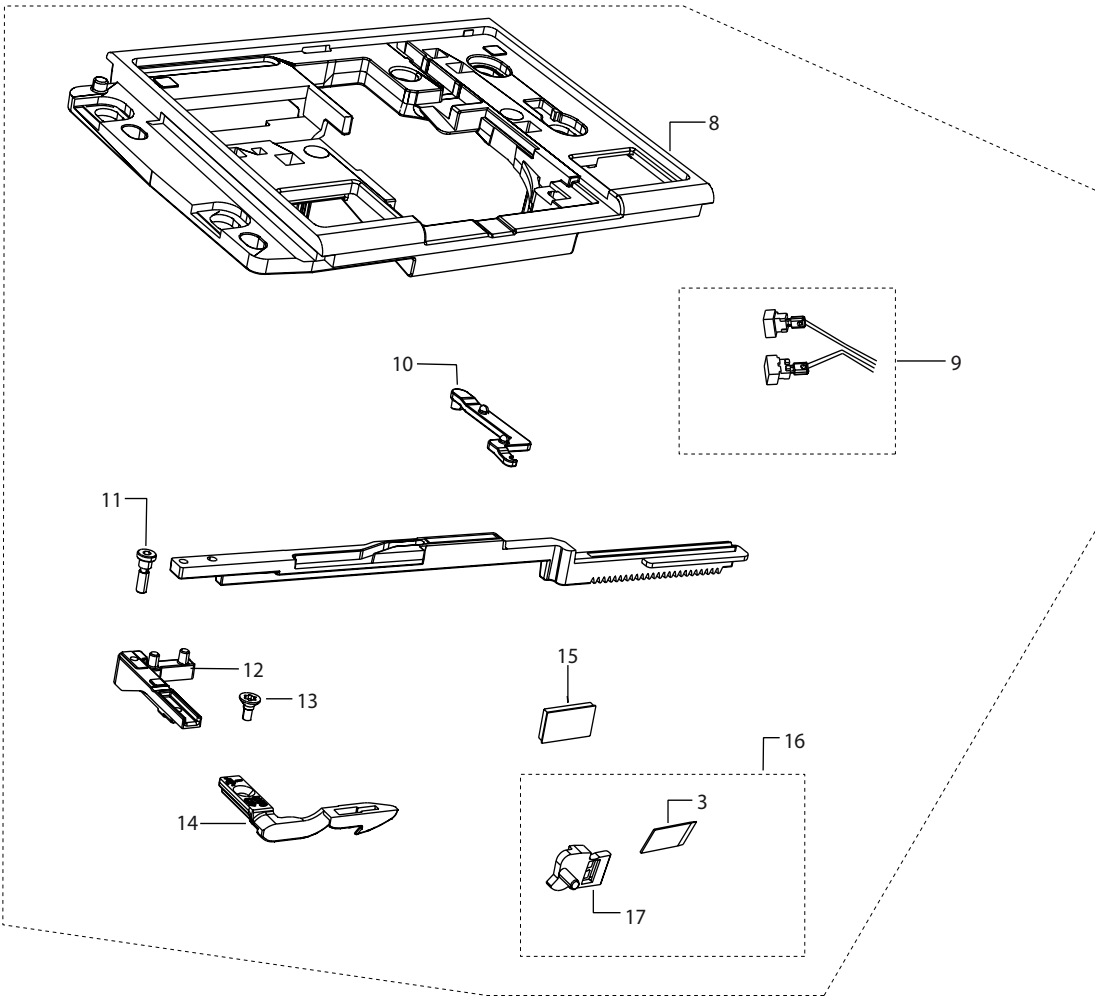
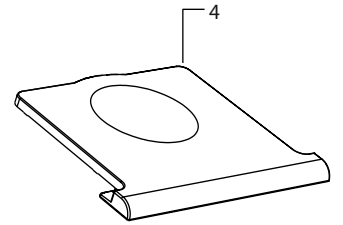
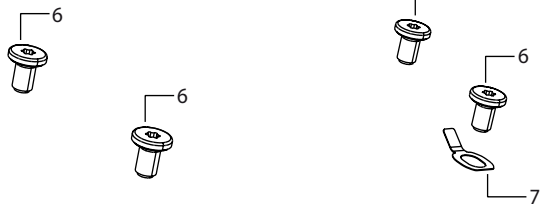
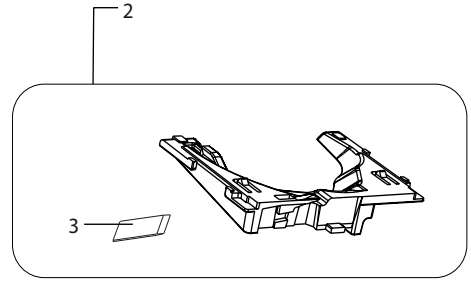
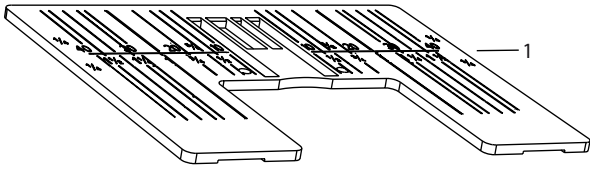
1	411966810	SCREW PT 40*20 FZB TORX
2	411966803	SCREW PT 30*12 FZB TORX
3	412954601	HAND WHEEL
4	413320902	BACK COVER
5	412683401	HANDLE
6	412700001	BUSHING
7	413342404	LID TOPAZ 25
8	411966812	SCREW PT 40*40 FZB TORX
9	413347201	KNIFE HOLDER
10	412423701	THREAD CUTTER
11	413390102	PWR SUPPLY
12	411967105	SCREW PT FS 40*20 FZB TORX
13	413328801	BOTTOM COVER
14	413203301	BOTTOM PLATE
15	412056001	SCREW TAPTITE M5*14 TORX
16	412305001	FOOT

C



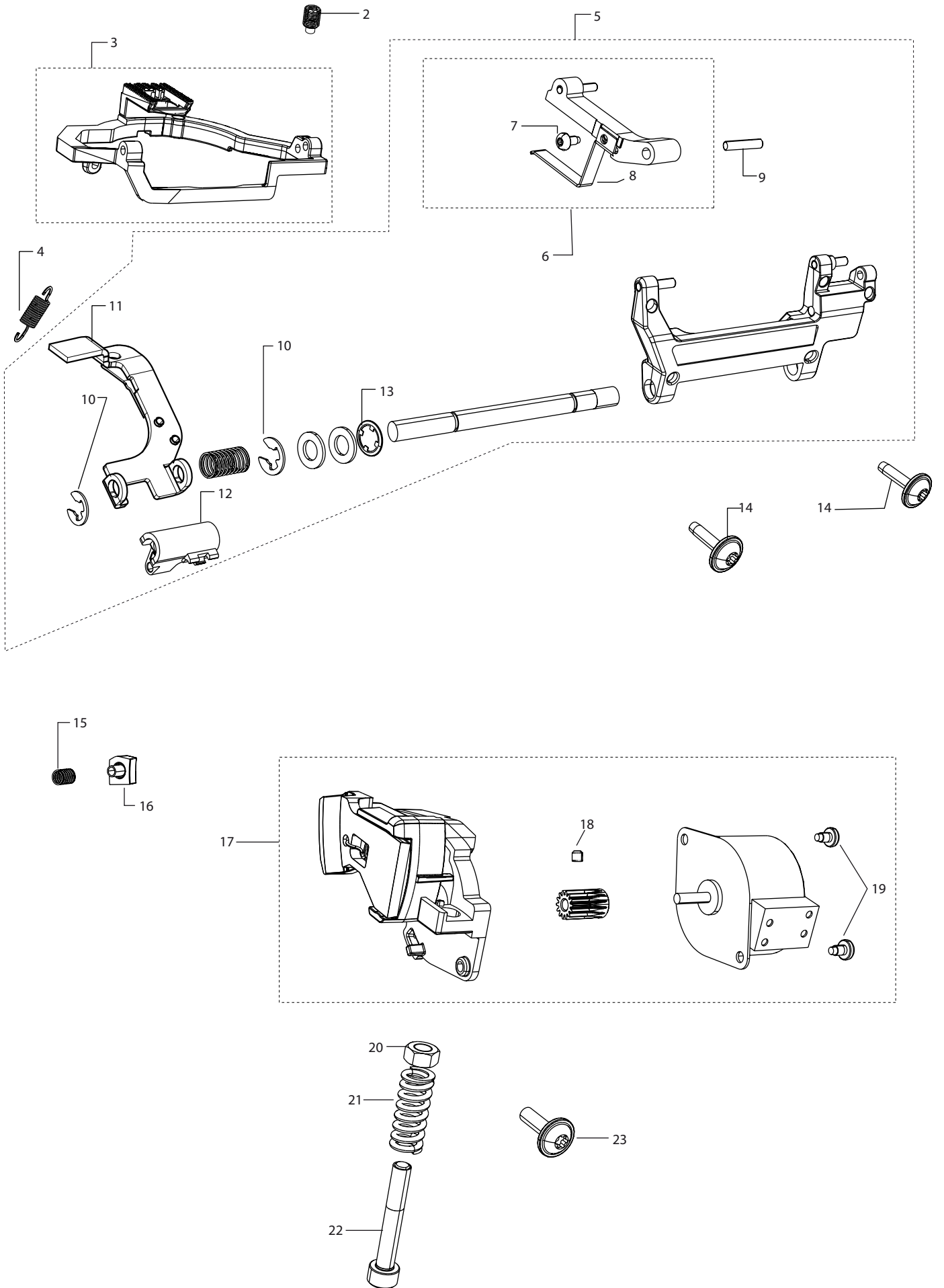
1	412955501	BOBBIN WINDER
2	413049101	MICRO SWITCH CPL.
3	412305503	O-RING
4	412056006	SCREW TAPTITE M4*12 TORX
5	412986401	SENSOR BOARD ASS.
6	412985501	HOLDER
7	412056006	SCREW TAPTITE M4*12 TORX
8	413159348	CONTROL BOARD TOPAZ 25
9	412056006	SCREW TAPTITE M4*12 TORX
11	412349703	CABLE TRANSF - CONTROL BOARD
12	413340301	HOLDER MAIN BOARD
13	413386701	USB BOARD, TOPAZ 25
14	413386901	COVER, USB SINGLE

D



1	412964204	STITCH PLATE HV MM/INCH
2	413025601	BOBBIN CASE HOLDER CPL.
3	412423701	THREAD CUTTER
4	412963901	BOBBIN COVER
5	412964005	HOOK COVER CPL. CUT. AND SENS.
6	412287903	SCREW
7	412997701	ESD SPRING, STITCH PLATE
8	412964105	HOOK COVER
9	413101503	CABLE ASS.BOBBIN SENSOR
10	413007301	FETCHER UPPER THREAD
11	413010001	GUIDE PIN
12	413072201	CONNECTING PART, FETCHER
13	412280501	SCREW, COUNTERSUNK
14	413007101	FETCHER
15	413116701	THREAD BRAKE
16	413047301	KNIFE HOLDER CPL.
17	413007701	KNIFE HOLDER
18	413007402	STEPPING MOTOR CPL.
19	411966828	SCREW PT 30*6 FZB TORX
20	413072501	CUT SENSOR ASS.
21	735612440	COMPRESSION RINGS Ø3
22	412056006	SCREW TAPTITE M4*12 TORX
23	413007601	GUIDE GEAR RACK
24	413353001	MOTOR PLATE CPL.
25	413004601	STEPPING MOTOR

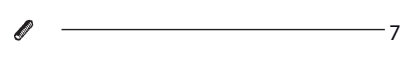
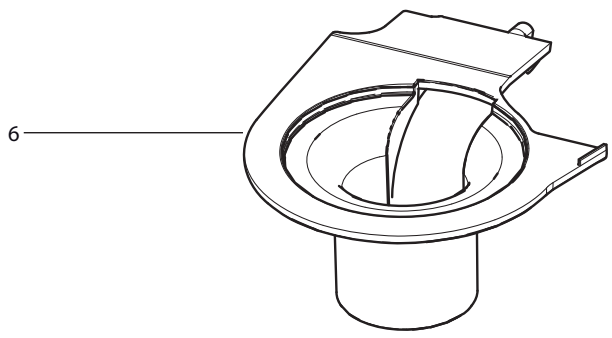
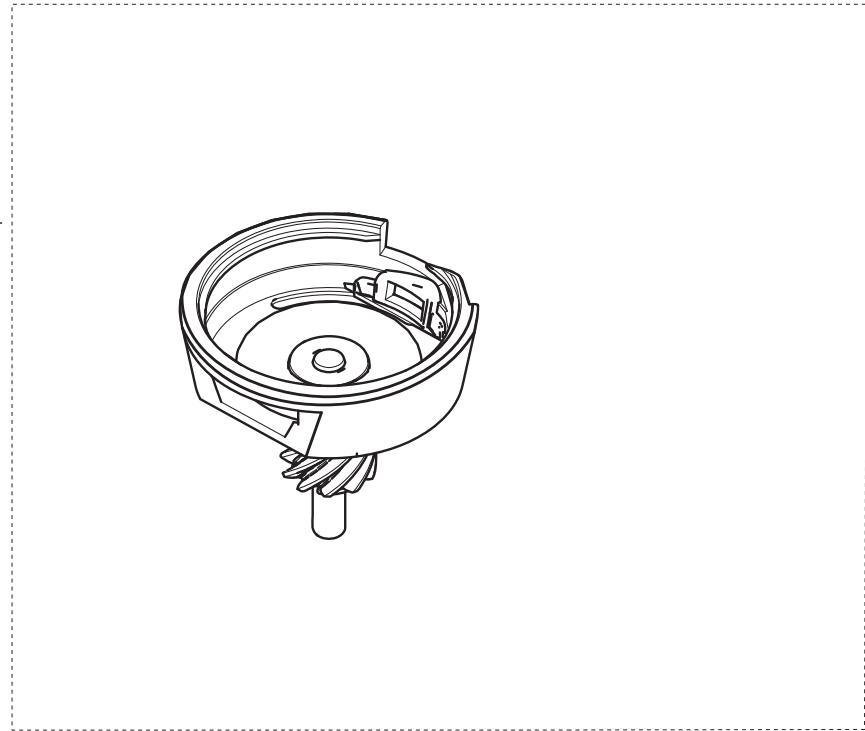
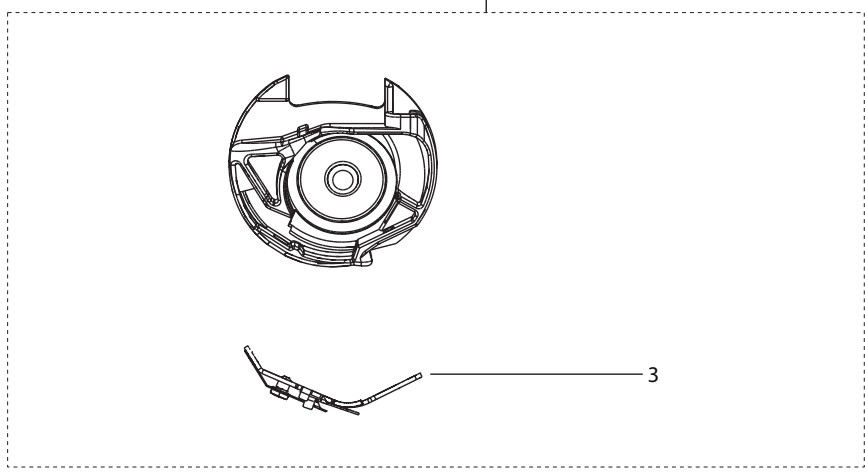
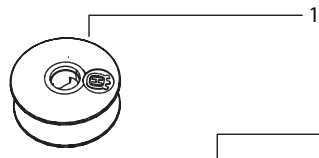
E



2	413201201	ADJUSTMENT SCREW, FEEDER
3	413201301	FEED DOG CPL.
4	413270001	TENSION SPRING, FRAME FEED DOG
5	413269013	CARRIGE FEED CPL.
6	412961602	LINK, CARRIAGE FEED CPL.
7	412056004	SCREW TAPTITE M3*6 TORX
8	412961501	SPRING, FEED
9	412316023	INA PIN NRB 4*19,8 0-2UM
10	735310920	SNAP RING E-5
11	413200901	LEVER FEED LIFT CPL.
12	413034201	INSERT, LEVER FEED LIFT
13	412368001	LOCK WASHER
14	413169401	COLLAR SCREW TT TORX 4*14
15	412961701	SPRING, SLIDING BLOCK
16	412961801	BLOCK, GUIDE
17	412963501	STEPPING MOTOR UNIT, FEED
18	411968703	SET SCREW FLAT, M3*3 TORX
19	412056011	SCREW TAPTITE M3*5 TORX
20	413025401	NUT M5*0,5
21	412963601	SPRING
22	412963701	SCREW BALANCE ADJUSTMENT
23	413034402	COLLAR SCREW M4*10, LEFT HAND

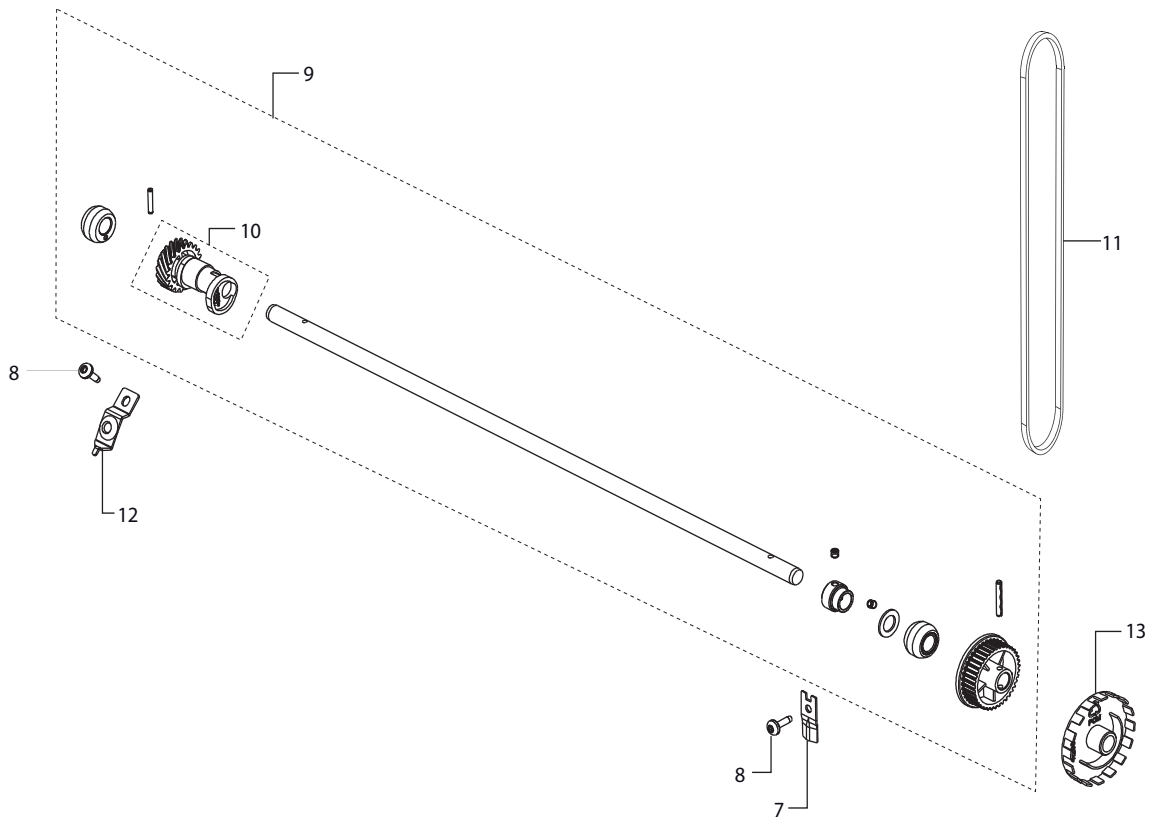
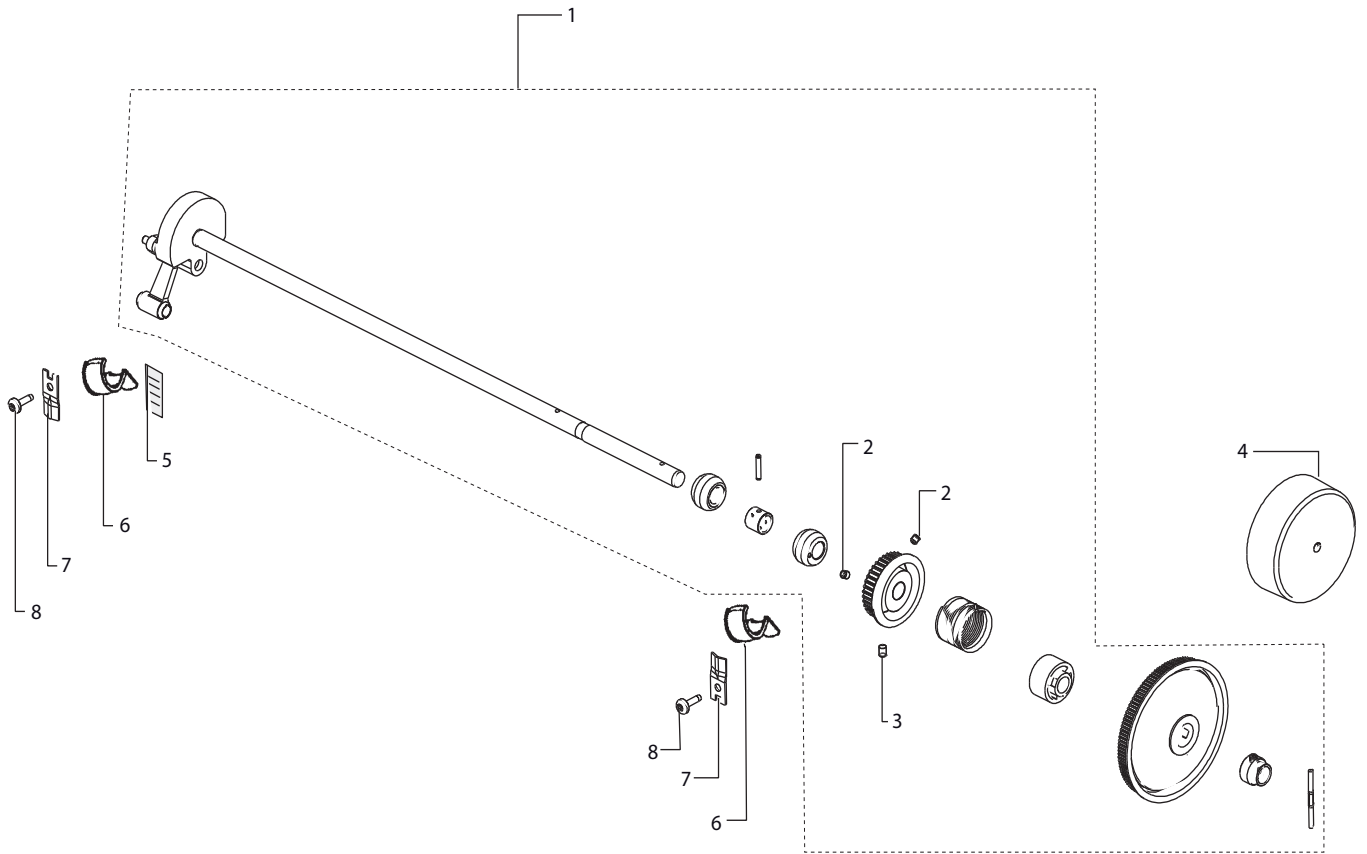
F

Designer Topaz 25



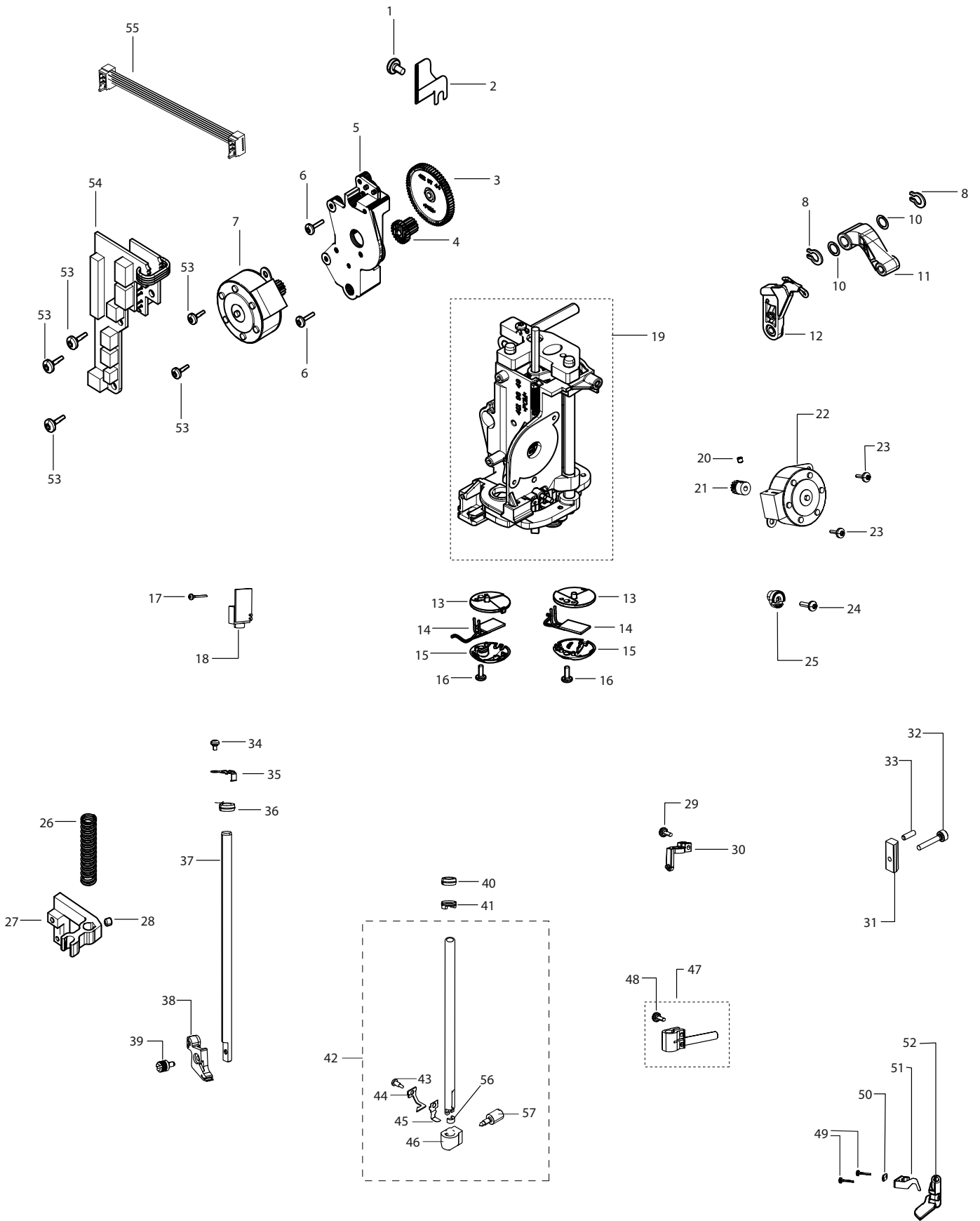
1	413182545	BOBBIN HV, GREEN
2	413058901	BOBBIN CASE CPL.
3	412471601	THREAD TENSION CPL.
4	412876902	HOOK CPL WITH SHAFT
5	412930101	SPRING, HOOK
6	412964502	DUST COVER
7	728528705	SCREW M4*8

G



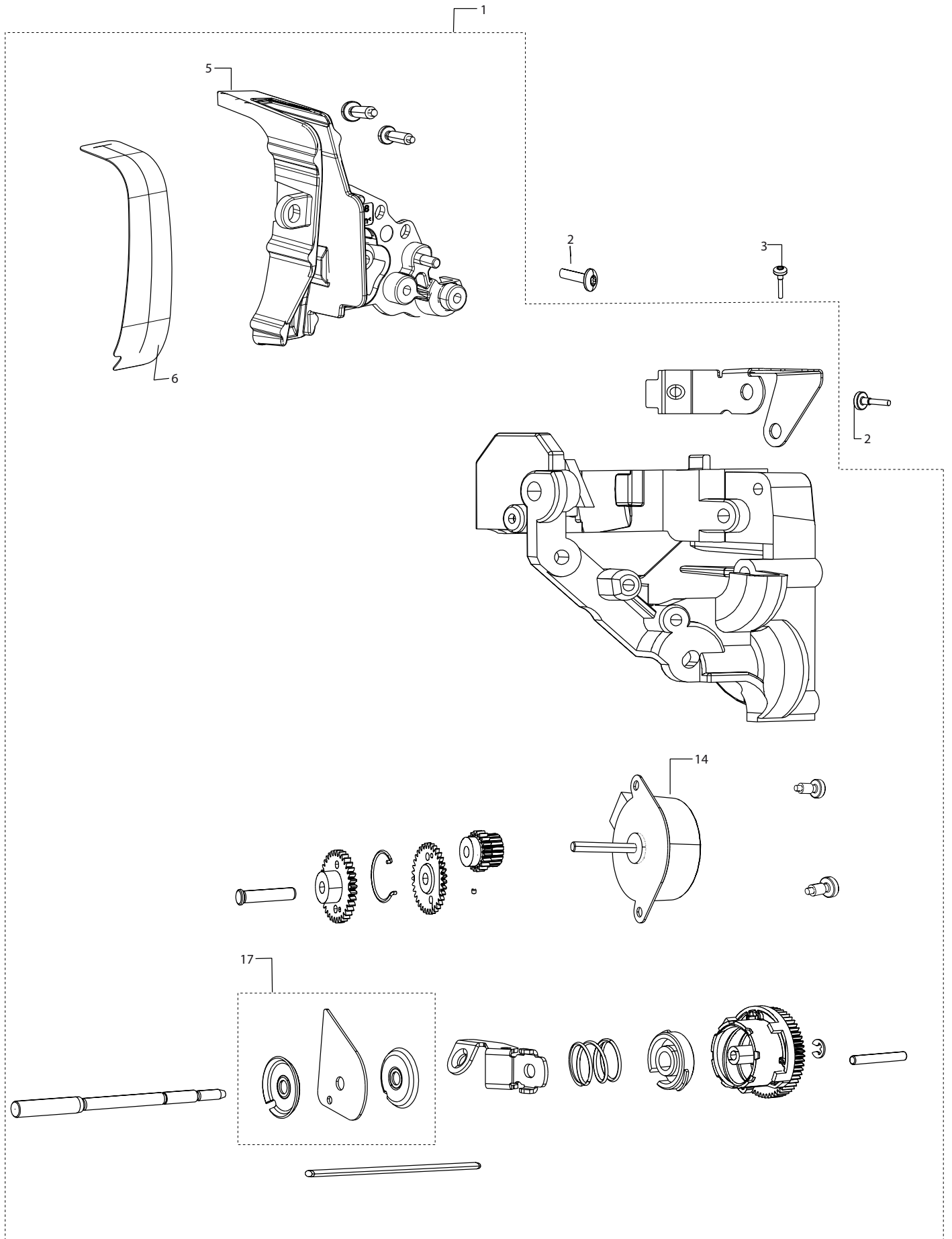
1	412966713	UPPER SHAFT CPL.
2	411968706	SET SCREW FLAT, M4*4 TORX
3	411968807	SET SCREW POINTED M4*6 TORX
4	412954601	HAND WHEEL
5	412687601	GROUND TAPE
6	412558401	ABSORBER
7	412328401	CLAMP
8	412056006	SCREW TAPTITE M4*12 TORX
9	412967904	LOWER SHAFT CPL. 200 BOX
10	412964403	ECCENTRIC FEED CPL. (BOX)
11	413020301	COG BELT UPPER-LOWER SHAFT
12	412318101	CLAMP LOWER SHAFT
13	412968101	SHIELD, REVOLUTION INDICATOR

H



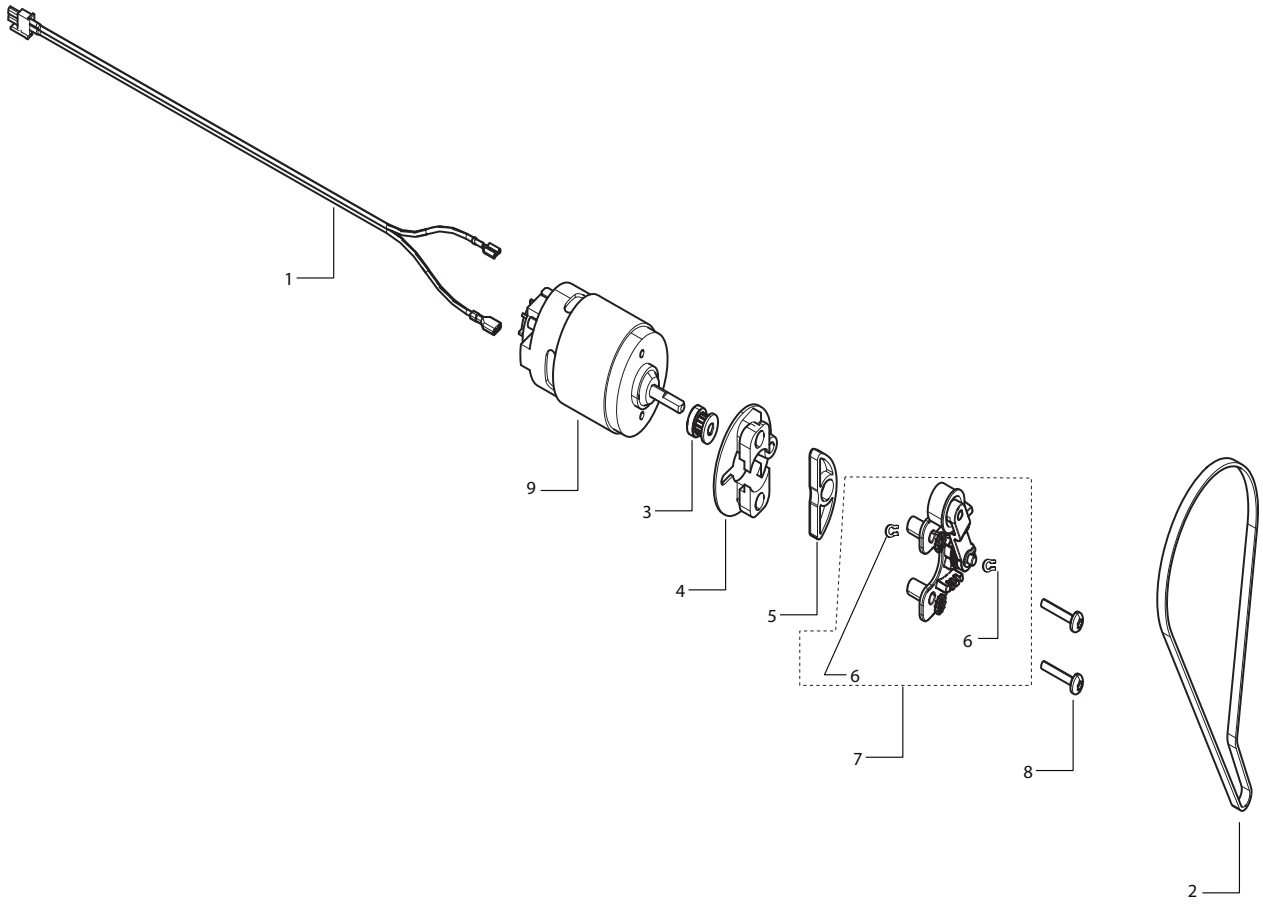
2	412973901	SHIELD, PRESSERFOOT SERVO
3	412974401	GEAR, SERVO SEC
4	412974301	GEAR, SERVO PRIM
5	412974201	GEAR HOUSING SERVO
6	411966820	SCREW 30*10 FZB TORX
7	413005803	STEP MOTOR P-FOOT PRESSURE
8	735615340	COMPRESSION RINGS Ø6
10	412001301	SPRING WASHER
11	413047401	LINK
12	413300302	TAKE UP LEVER CPL
13	413343601	LED HOLDER
14	413325802	LED LIGHT ASSEMBLY RIGHT
	413325803	LED LIGHT ASSEMBLY LEFT
15	413343701	LED HOUSE
16	412211404	SCREW M3*10 TORX
17	411966821	SCREW PT 18*10 FZB TORX
18	413031001	BUTTONSENS. CONN. ASS.
19	413244201	SEWING HEAD CPL.
20	411968703	SET SCREW FLAT,M3*3 TORX
21	413057201	GEAR Z-Z
22	412993905	STEPPING MOTOR
23	411966828	SCREW PT 30*6 FZB TORX
24	412211404	SCREW M3*10 TORX
25	412966501	CALIBRATION KNOB
26	412685102	SPRING, PRESSERBAR
27	413162801	PRESSER BAR GUIDE
28	411968706	SETSCREW FLAT M4*4 TORX
29	413019001	SCREW K 30*8 PT WN 1452 S
30	412993502	STROKE LIMITER
31	412966601	WEDGE
32	725522805	SCREW M3*16 INSEX
33	728522205	SOCKET SET SCREW FLAT POINT
34	412211401	SCREW M3*4 TORX
35	413060301	CLIPS, GABLE LOWER
36	412500601	BEARING
37	412285403	PRESSER BAR AVANTI
38	412411201	HOLDER, PRESSERFOOT
39	412409701	SCREW PRESSERSHAFT
40	412501501	BEARING 10/6,35-4
41	412504701	CLAMP RING
42	68008797	NEEDLE BAR CPL.
43	413094701	SCREW THREAD GUIDE
44	68008796	THREAD GUIDE
45	413304201	THREAD LOCK, NEEDLE HOLDER
46	413242301	NEEDLE CLAMP HV
47	412993605	CROSS HEAD CPL.
48	412280504	SCREW FS M3*10 FZB TORX
49	411966825	SCREW PT 16*8 FZB TORX
50	412876701	WASHER, NEEDLE THREADER
51	413238402	NEEDLE THREADER
52	413053601	HOLDER, NEEDLE THREADER
53	413019001	SCREW K30 X 8PT WN 1452 S
54	413390501	CON.BOARD SEW HEAD
55	412546912	CABLE ASSEMBLY (18P)
56	68016246	STOP, NEEDLE CLAMP
57	413373001	SCREW, NEEDLE HOLDER HV

K



1	412940208	THREAD TENSION ASS
2	412056006	SCREW M4*12 TORX
3	411966803	SCREW PT 30*12 FZB TORX
5	413334201	SHIELD, TAKE UP LEVER ASS.
6	413218502	SEALING, TAKE UP LEVER
14	412993903	STEPPING MOTOR
17	413106402	THREAD DISK KIT

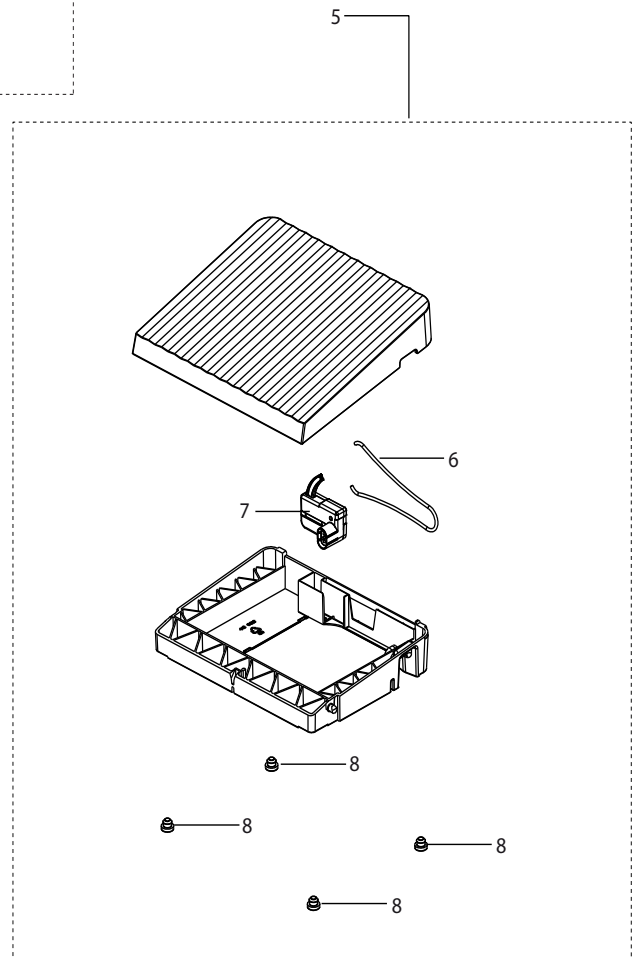
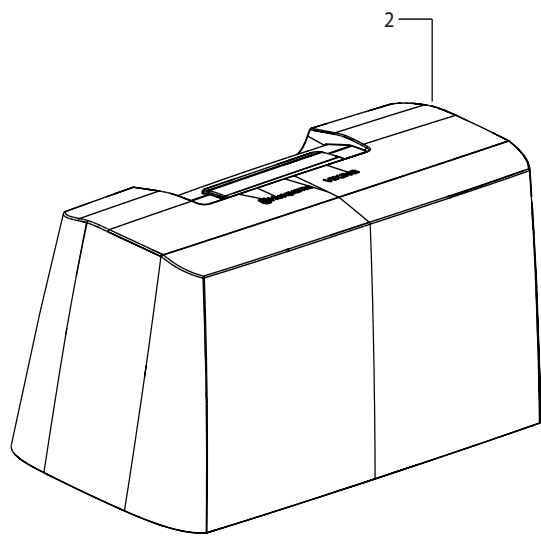
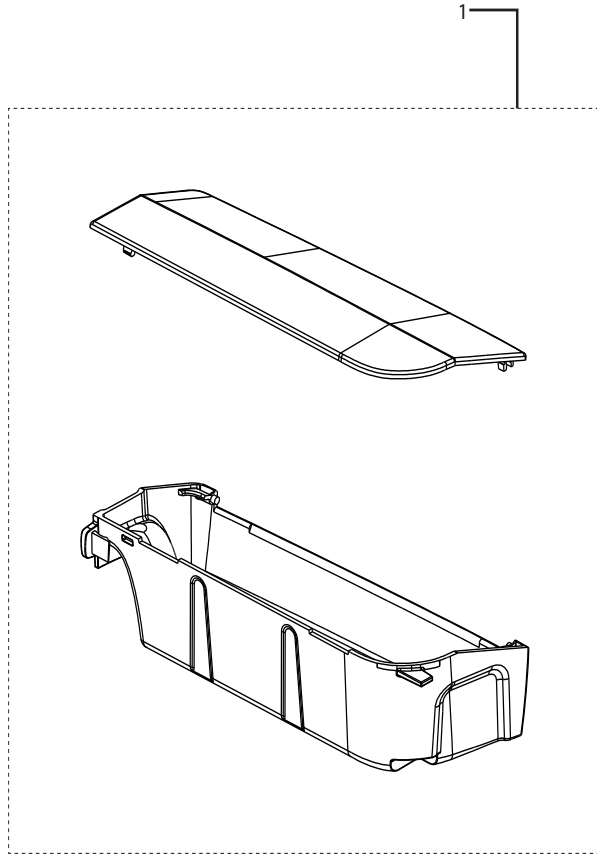
L



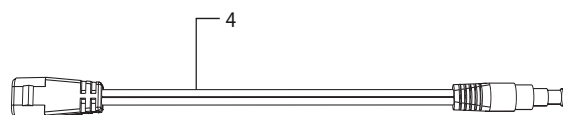
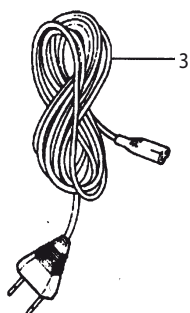
1	413056901	CABLE MAIN MOTOR
2	413020201	COG BELT MOTOR
3	412353302	DRIVING WHEEL MOTOR 350,400,500
4	412999902	RUBBER DAMPER, MOTOR
5	413317201	SPACER BLOCK MOTOR
6	735613640	COMPRESSION RINGS Ø4
7	412971902	BELT STRETCHER CPL.
8	412211415	SCREW M4*20 TORX
9	9233011191000	ENGINE DOMEL

M

Designer Topaz 25



POWERCORD

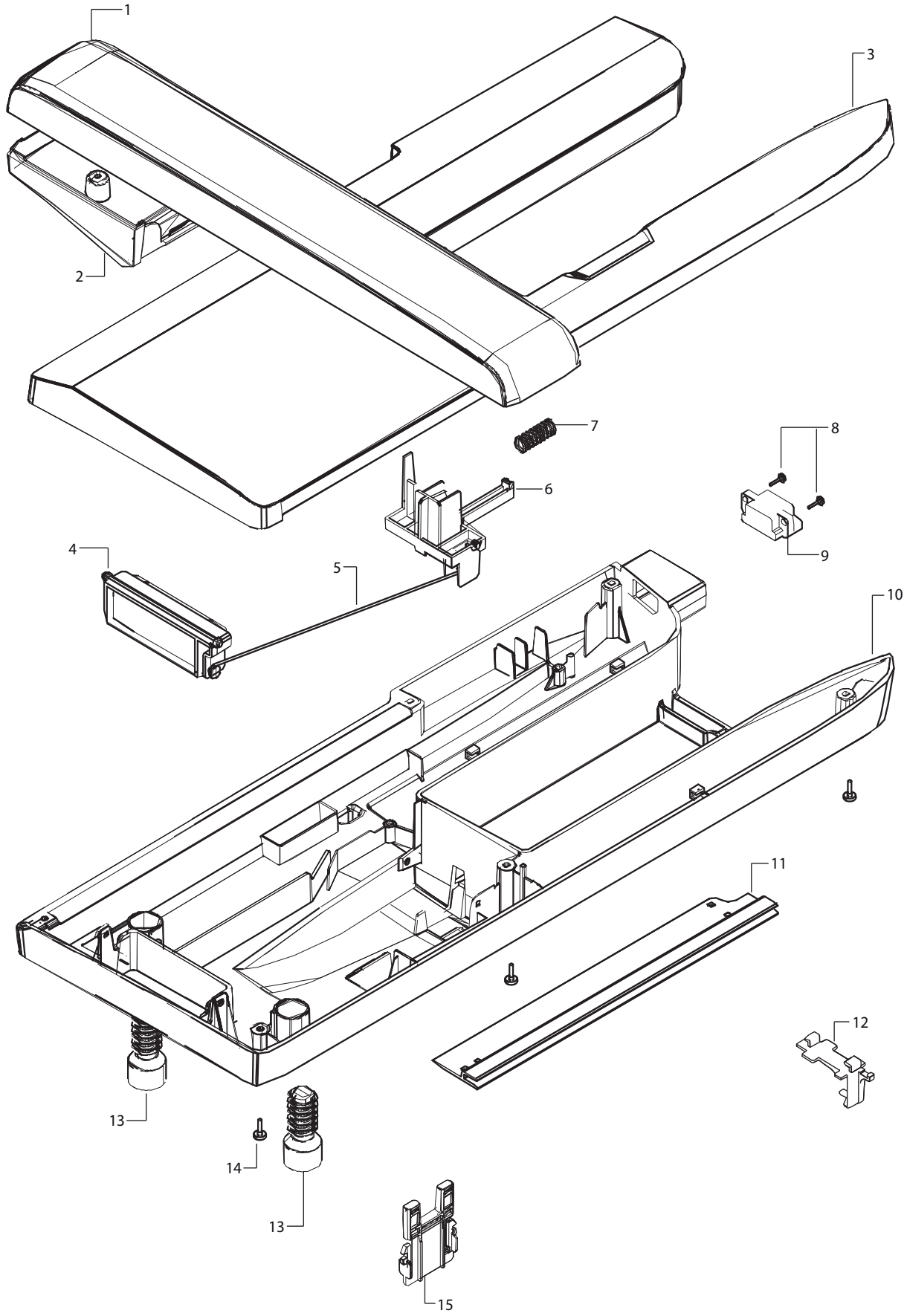


1	412983902	ACCESSORIES BOX CPL.
2	413336301	HARD COVER CPL.
3	412157801	NET CABLE 220V
	412157902	NET CABLE 120V JP
	412157903	NET CABLE 120V
	412158002	NET CABLE GB
	412158101	NET CABLE AU
4	413021501	FOOTCONTROL CABLE
5	412991402	FOOTCONTROL CPL.
6	412159801	SPRING
7	412318901	SPEED CONTROL UNIT
8	412184501	FOOT

N

1	413021630	STD. ACC.CPL. Topaz 25
2	412764001	PRESSER FOOT A 7MM
3	413113646	PRESSER FOOT B CPL.
4	412785346	BUTONHOLE PRESSER FOOT C
5	412380445	BLIND HEM FOOT D
6	412801501	ZIPPER PRESSER FOOT
7	412380645	EDGING PRESSER FOOT J. PIN PAC
8	620071196	NEEDLES
9	401539901	SEAM RIPPER
10	413190401	BRUSH
11	412610701	FELT PAD
12	413051601	SPOOL HOLDER 22MM
13	413182545	BOBBINS
14	412381501	SCREW DRIVER
15	412827401	GLIDE PLATE
16	413105601	CLEARANCE PLATE
17	412849801	PRESSER FOOT R
18	412397701	THREADNET 15X100
19	413095710	USB STICK 1GB TOPAZ 25

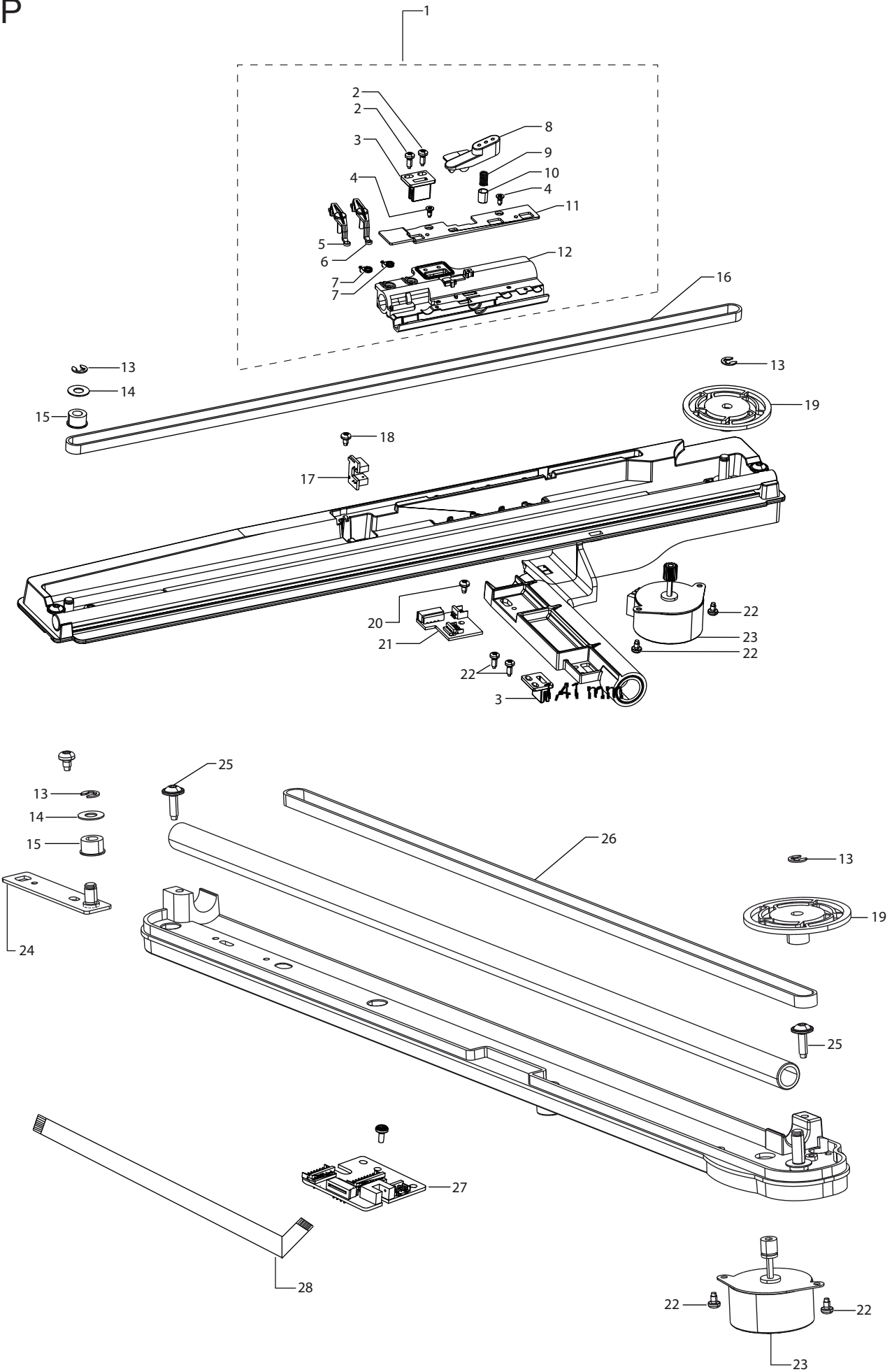
O



1	413161201	Y-COVER, Y=260
2	413161301	MOTOR COVER, Y-ARM Y=260
3	413161001	TOP COVER XY-UNIT X=200
4	413027701	HANDLE LATCH
5	413027803	CONNECTING ROD, LATCH X=200
6	413027601	LATCH
7	412721401	SPRING, LATCH P08-E
8	411966820	SCREW 30*10 FZB KOMBITORX
9	413028801	CABLING, XY-UNIT CPL.
10	413160901	BOTTOM COVER XY-UNIT X=200
11	413161101	GUIDE, XY-UNIT X=200
12	413119802	SUPPORT ARM, Y-ARM
13	413028502	FOOT, XY-UNIT CPL.
14	412056006	SCREW TAPTITE M4*12 TORX
15	413030101	TRANSPORT LOCKING DEVICE

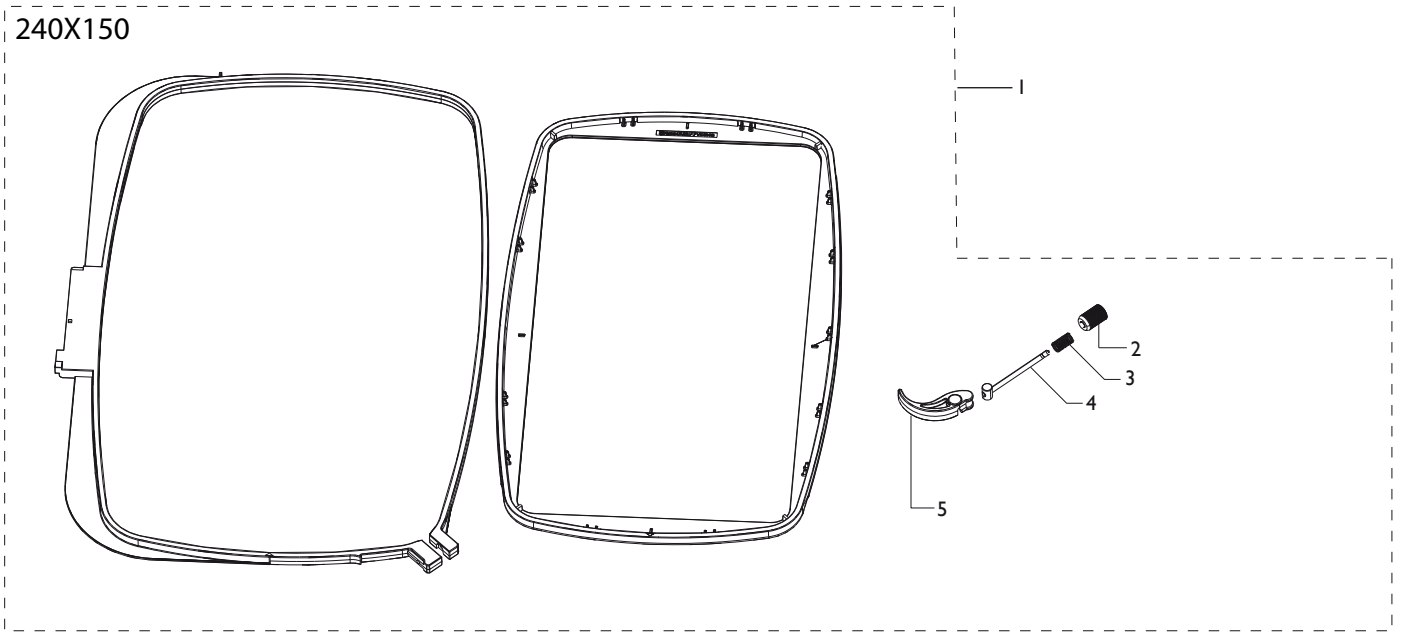
Designer Topaz 25

P



1	413026701	Y-SLED, CPL.
2	411966801	SCREW PT 30*7,5 FZB TORX
3	412525301	HOLDER BELT
4	411967306	SCREW PT FS 25*6 OXSV TORX
5	412749801	SENSOR EMBROIDERY FRAME
6	412525402	SENSOR EMBROIDERY FRAME
7	412555701	SPRING
8	413030201	LOCKING ARM Y-SLED
9	412526601	SPRING
10	412590003	SLEEVE
11	413026901	PANEL Y-SLED CPL.
12	413026801	Y-SLED
13	735310820	LOCK WASHER 4
14	412384301	WASHER 6/13 *0,6
15	412384202	COG WHEEL
16	413075201	SYNCHRONOUS BELT, Y-FRAME
17	413029601	BOARD, HOOP DETECTION CPL.
18	412056011	SCREW TAPTITE M3*5 TORX
19	412524601	GEAR WHEEL
20	412056001	SCREW TAPTITE M5*14 TORX
21	413029301	BOARD, Y-ARM CPL.
22	412056004	SCREW TAPTITE M3*6 TORX
23	413029901	STEPPER MOTOR XY-UNIT CPL.
24	412524901	PLATE, BELT TENSION CPL.
25	412281904	SCREW FLANGE M4*10 TAPTITE TORX
26	412526702	Y-BELT
27	413029002	BOARD, XY-UNIT CPL 260*200
28	412388107	FLEX CABLE

Q



- 1 412968501 EMBROIDERY FRAME CPL. 240X150
- 2 412996501 NUT EMBROIDERY FRAME
- 3 412620701 SPRING, EMBROIDERY HOOP
- 4 412956204 SCREW CPL. HOOP
- 5 412984701 LOCKING HANDLE EMBR. HOOP