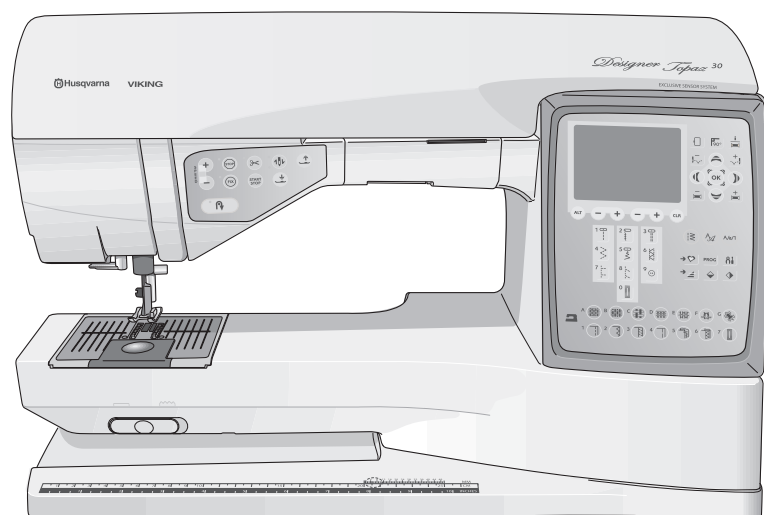


Parts List



Designer Topaz™



Please note that on disposal, this product must be safely recycled in accordance with relevant National legislation relating to electrical/electronic products. If in doubt please contact your retailer for guidance.



Bitte beachten Sie, dass hinsichtlich der Entsorgung dieses Produkts, vorschriftsmäßig entsprechend der gültigen nationalen Gesetzgebung für elektrische/elektronische Produkte, recycelt werden muss. Bei Zweifel setzen Sie sich bitte mit Ihrem Fachhändler in Verbindung.

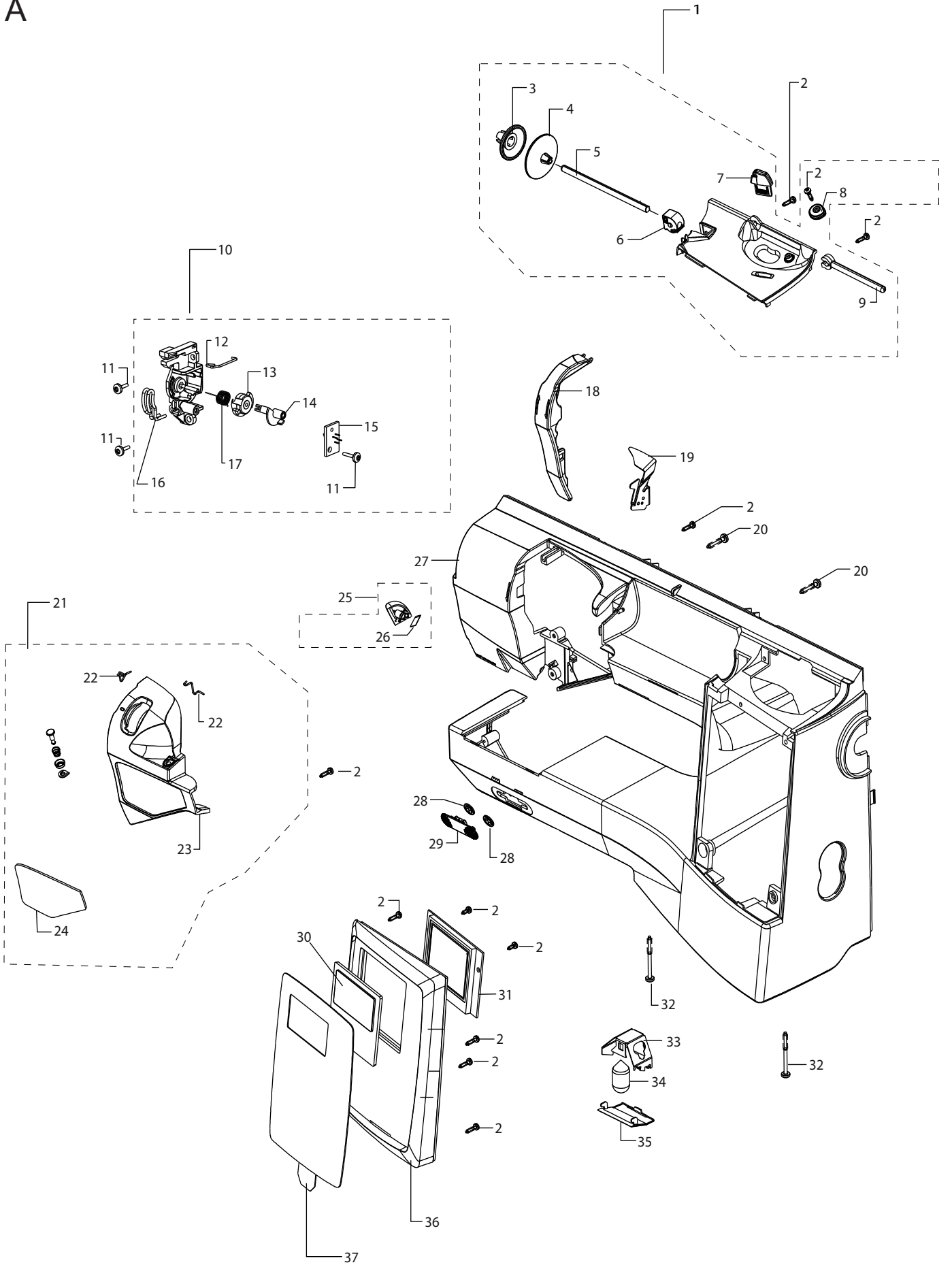


Veuillez noter qu'en cas de destruction, ce produit doit bénéficier d'un recyclage sécurisé, conforme à la législation nationale applicable aux produits électriques/électroniques. En cas de doute, veuillez contacter votre distributeur agréé.

- All casted parts within our products are marked with name of material if allowed by size.
- All molded plastic parts within our products are marked with name of material if allowed by size.

Designer Topaz 20-30

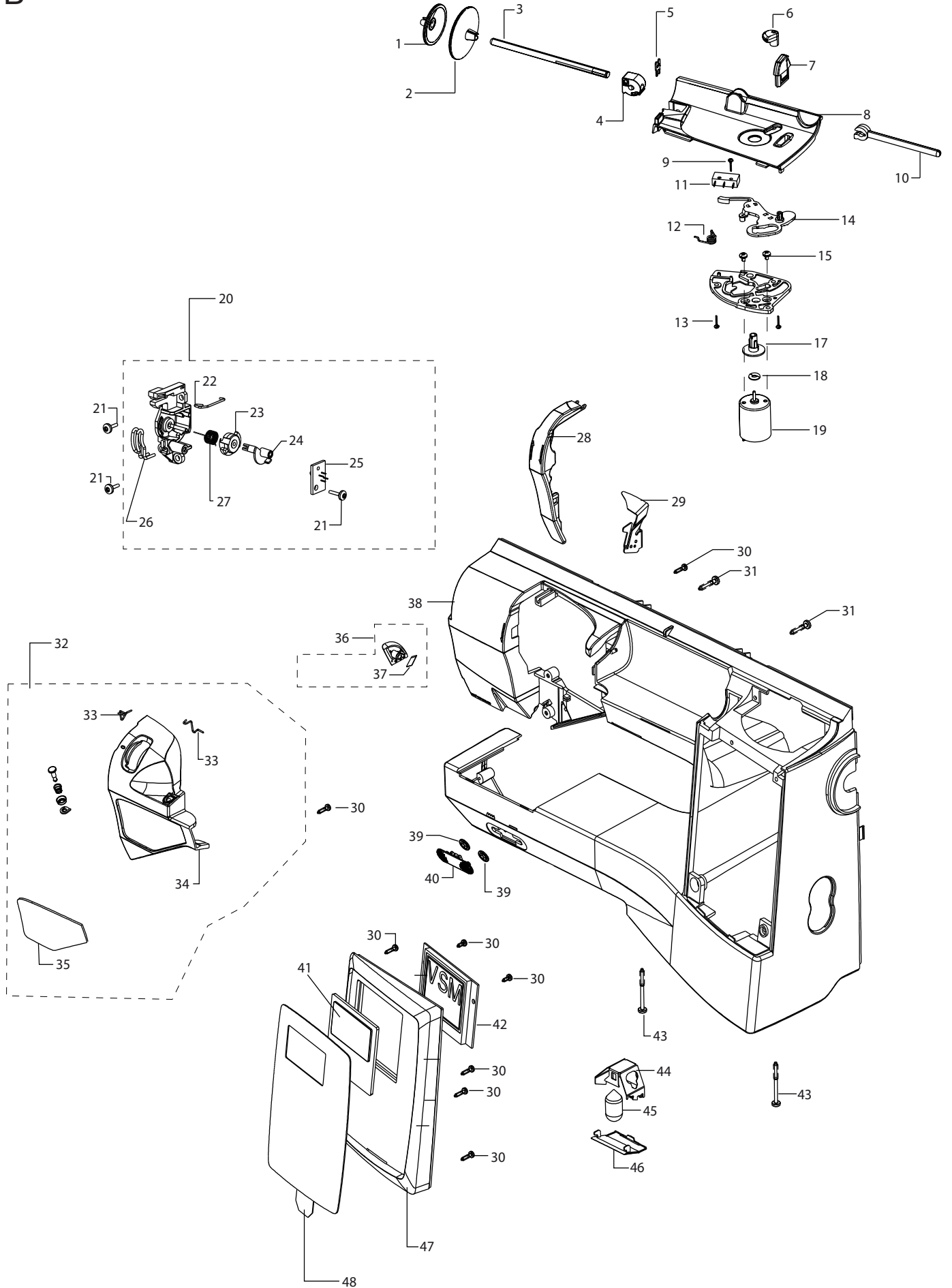
A



1	412960101	COVER, BOBBIN WIN. CPL. NO MOTOR
2	411966803	SCREW PT 30*12 FZB TORX
3	413051602	SPOOL HOLDER 35 MM
4	413051603	SPOOL HOLDER 45MM
5	412521001	REEL PIN
6	412960301	GUIDE, REEL PIN
7	413022501	COVER THREAD KNIFE CPL. WIN.
8	412979601	WINDING STOP
9	412960401	THREAD REEL PIN
10	413004005	THREAD SENSOR CPL.
11	411966820	SCREW 30*10 FZB KOMBITORX
12	413004501	THREAD CONTROL. THREAD SENSOR
13	413004301	ADJUSTING SLEEVE
14	413004402	SENSOR THREAD TENSION
15	413017602	THREAD SENSOR ASSEMBLY
16	412519301	THREAD GUIDE
17	412519202	CHECK SPRING
18	413047602	THREAD GUIDE
19	412981302	THREAD GUIDE CPL
20	411966810	SCREW PT 40*20 FZB TORX
21	412970003	THREAD TENSION COVER
22	412981602	THREAD GUIDE
23	413018901	THREAD TENSION COVER MOTOR
24	413173701	KEYBOARD, SEWING HEAD
25	413022001	COVER THREAD KNIFE CPL.
26	412423701	THREAD CUTTER
27	412978501	FRONT COVER
28	735583001	STARLOCK WASHER
29	412989201	FEED DOG LOWERING BUTTON
30	412977301	GLASS
31	413168401	PCB ASSEMBLY, LCD
32	411966812	SCREW PT 40*40 FZB TORX
33	412605001	REFLECTOR
34	413181802	LAMP, 24V, 5W
35	412985301	LAMP COVER
36	412960902	PANEL
37	413173801	KEYBOARD PANEL

Designer Topaz 20-30

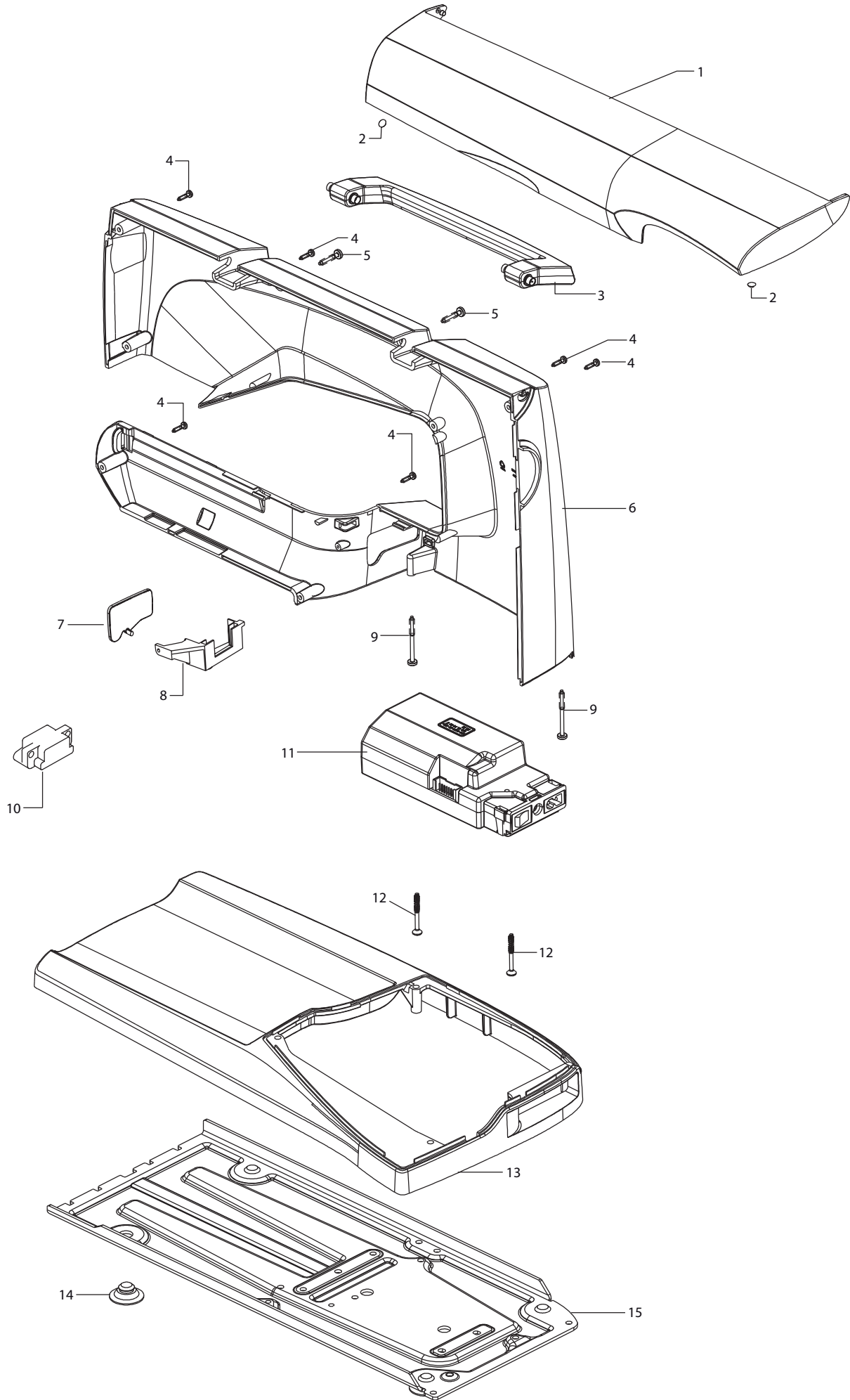
B



1	413051602	SPOOL HOLDER 35MM
2	413051603	SPOOL HOLDER 45MM
3	412521001	REEL PIN
4	412960301	GUIDE, REEL PIN
5	413060201	THREAD GUIDE
6	412345001	ECCENTRIC WINDING STOP
7	413022501	COVER THREAD KNIFE CPL.
8	413167601	COVER BOBBIN WINDER
9	411966821	SCREW PT 18*10 FZB TORX
10	412960401	THREAD REEL PIN
11	413049103	MICROSWITCH CPL.
12	412757701	TORSION SPRING, WINDING STOP
13	411966801	SCREW PT 30*7,5 FZB TORX
14	413127401	LEVER, WINDING STOP
15	412211401	SCREW M3*4 TORX
17	413062101	WINDING SHAFT
18	412305502	O-RING
19	413093002	BOBBIN WINDING MOTOR CPL.
20	413004005	THREAD SENSOR CPL.
21	411966820	SCREW 30*10 FZB KOMBITORX
22	413004501	THREAD CONTROL THREAD SENSOR
23	413004301	ADJUSTING SLEEVE
24	413004402	SENSOR THREAD TENSION
25	413017602	THREAD SENSOR ASSEMBLY
26	412519301	THREAD GUIDE
27	412519202	CHECK SPRING
28	413047602	THREAD GUIDE
29	412981302	THREAD GUIDE CPL
30	411966803	SCREW PT 30*12 FZB TORX
31	411966810	SCREW PT 40*20 FZB TORX
32	412970004	THREAD TENSION COVER
33	412981602	THREAD GUIDE
34	413018901	THREAD TENSION COVER
35	413019602	KEYBOARD, SEWINGHEAD
36	413022001	COVER THREAD KNIFE CPL
37	412423701	THREAD CUTTER
38	412978501	FRONT COVER
39	735583001	STARLOCK WASHER
40	412989201	FEED DOG LOWERING BUTTON
41	412977301	GLASS
42	413168401	PCB ASSEMBLY, LCD
43	411966812	SCREW PT 40*40 FZB TORX
44	412605001	REFLECTOR
45	413181802	LAMP, 24V, 5W
46	412985301	LAMP COVER
47	412960902	PANEL
48	413173901	KEYBOARD PANEL

Designer Topaz 20-30

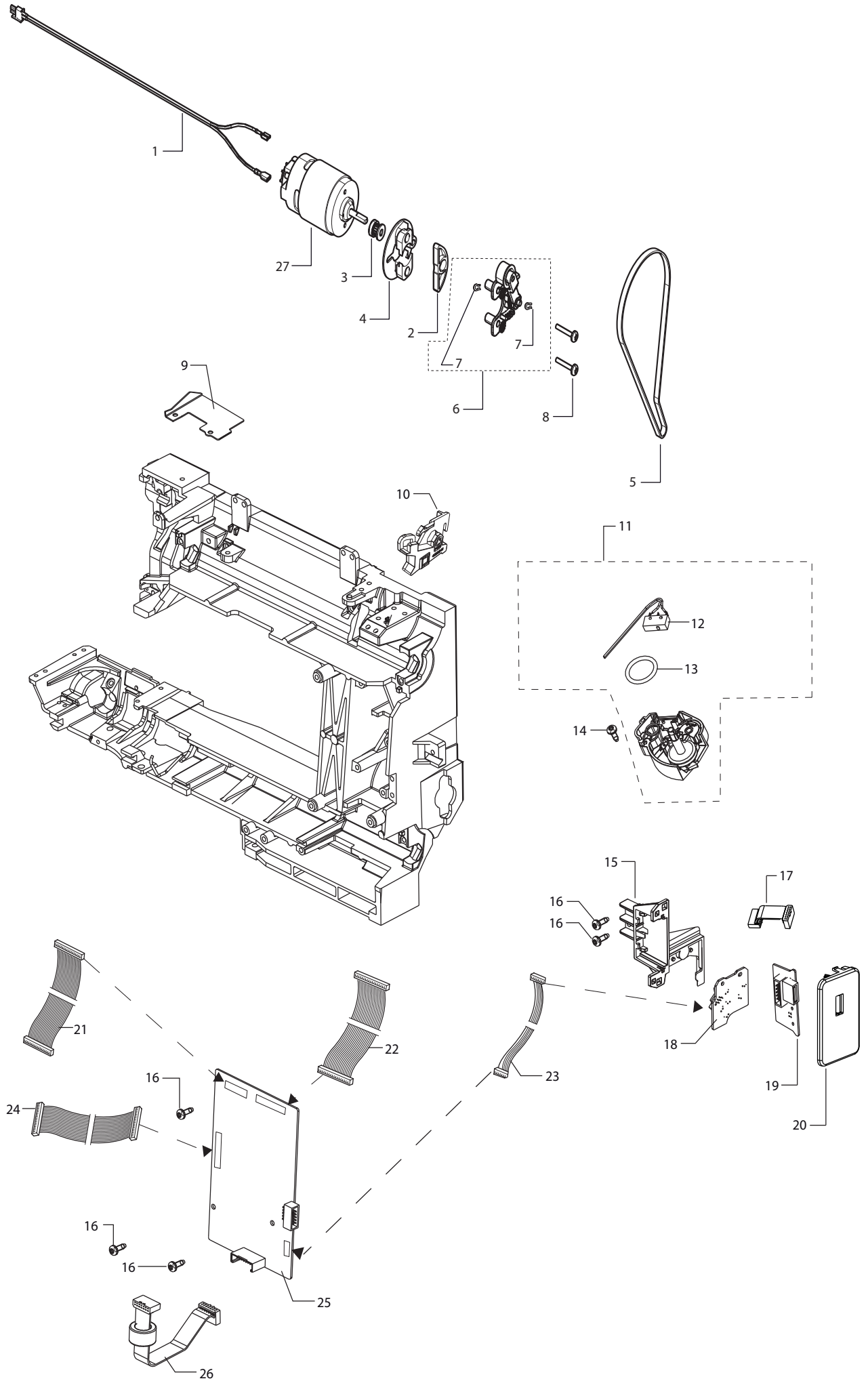
C



1	412960504	LID, TOPAZ 20
	412960505	LID, TOPAZ 30
2	412569701	DAMPER
3	412954701	HANDLE
4	411966803	SCREW PT 30*12 FZB TORX
5	411966810	SCREW PT 40*20 FZB TORX
6	412959101	BACK COVER
7	413018501	LID, XY
8	413018602	BASKET, XY
9	411966812	SCREW PT 40*40 FZB TORX
10	413092602	CABLE ASS. XY SEW.MACHINE
11	413390102	POWER SUPPLY CPL.
12	411967107	SCREW PT FS 40*35 FZB TORX
13	412959202	BOTTOM COVER
14	412305001	RUBBER FOOT, BASE PLATE
15	412954501	BOTTOM PLATE

Designer Topaz 20-30

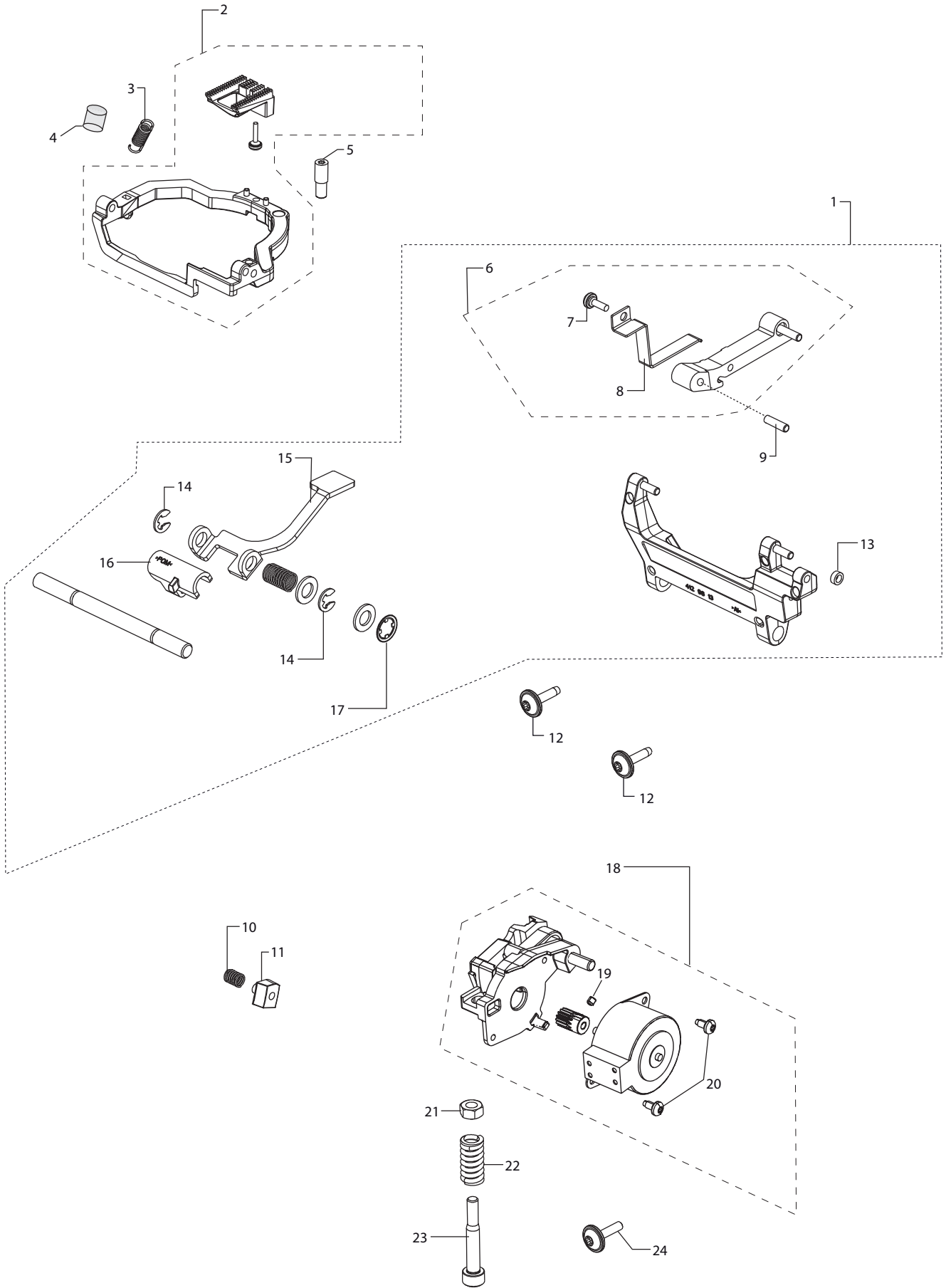
D



1	413056901	CABLE MAIN MOTOR
2	413317201	SPACER BLOCK MOTOR
3	412353302	DRIVING WHEEL MOTOR 350,400,500
4	412999902	RUBBER DAMPER
5	413020201	COG BELT MOTOR
6	412971902	BELT STRETCHER CPL.
7	735613640	COMPRESSION RINGS Ø4
8	412211415	SCREW M4*20 TORX
9	413286401	THREAD GUIDE
10	413024101	CABLE LOCATOR
11	412955501	BOBBIN WINDING UNIT, TOPAZ 20
12	413049101	MICROSWITCH CPL.
13	412305503	O-RING
14	412056005	SCREW TAPTITE M4*10 TORX
15	412985501	HOLDER
16	412056006	SCREW TAPTITE M4*12 TORX
17	413108801	CABLE, USB
18	412986401	SENSOR BOARD, ASS.
19	413024402	USB BOARD SINGLE, CPL.
20	413024802	COVER, USB SINGLE
21	412546910	CABLE ASSEMBLY (14P)
22	412546911	CABLE ASSEMBLY (20P)
23	412546913	CABLE ASSEMBLY (6P)
24	412546901	CABLE ASSEMBLY (18P)
25	413159347	CONTROL BOARD, TOPAZ 20
	413159346	CONTROL BOARD, TOPAZ 30
26	412349703	CABLE TRANSF.-CONTROL BOARD
27	9233011191000	ENGINE DOMEL

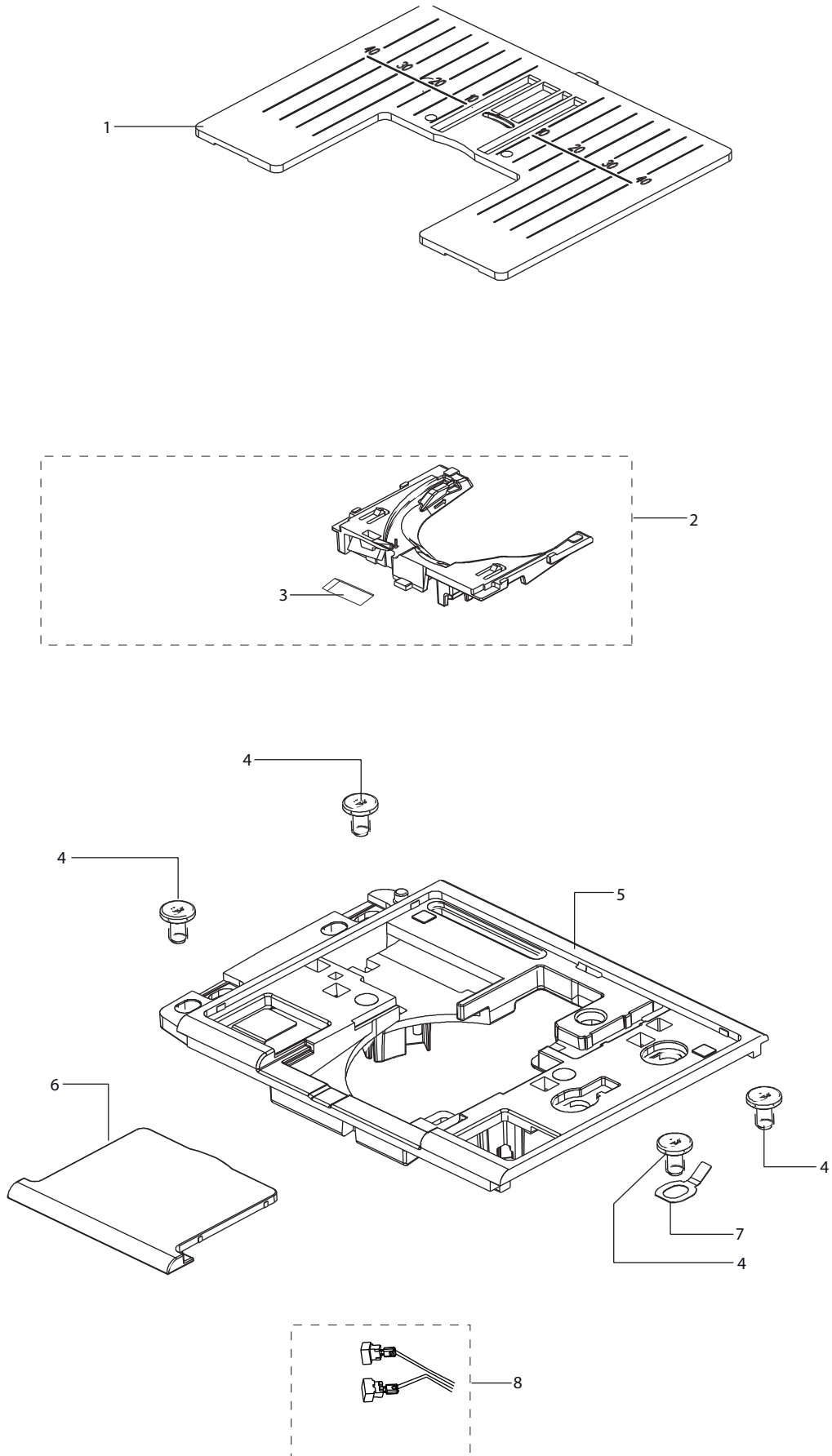
Designer Topaz 20-30

E



1	413269001	FEED UNIT W/O FEED DOG
2	412963001	FEED DOG CPL.
3	413270001	TENSION SPRING, FRAME FEED DOG
4	413112601	BUFFER
5	412962801	ADJUSTING SCREW, FEED DOG
6	412961601	LINK, CARRIAGE FEED CPL
7	412056004	SCREW TAPTITE M3*6 TORX
8	412961501	SPRING FEED
9	412316023	INA PIN NRB 4*19,8 0-2UM
10	412961701	SPRING, SLIDING BLOCK
11	412961801	BLOCK, GUIDE
12	413169401	COLLAR SCREW TT TORX 4*14
13	413007801	SPACER, FEED
14	735310920	SNAP RING E-5
15	412962401	LEVER, LIFT FEED
16	413004701	INSERT, LEVER FEED LIFT
17	412368001	LOCK WASHER
18	412963501	STEPPING MOTOR UNIT, FEED
19	411968703	SET SCREW FLAT, M3*3 TORX
20	412056011	SCREW TAPTITE M3*5 TORX
21	413025401	NUT M5*0,5
22	412963601	SPRING
23	412963701	SCREW BALANCE ADJUSTMENT
24	413034402	COLLAR SCREW M4*10, LEFT HAND

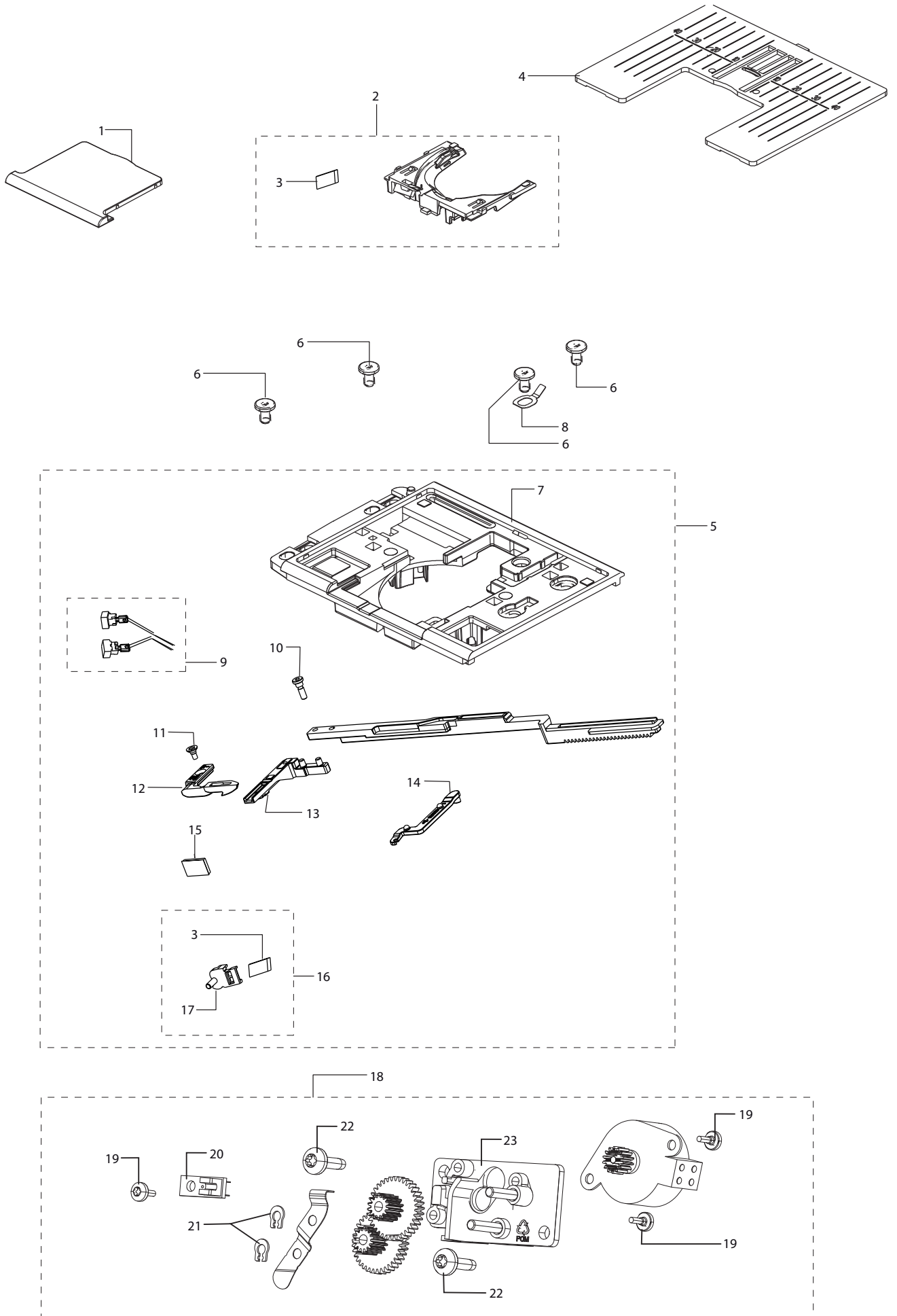
F



1	412964204	STITCH PLATE
2	413025601	BOBBIN CASE HOLDER CPL.
3	412423701	THREAD CUTTER
4	412287903	SCREW M4*5 FZB
5	412964105	HOOK COVER
6	412963901	BOBBIN COVER
7	412997701	ESD SPRING, STITCH PLATE
8	413101502	CABLE ASS. BOBBIN SENSOR

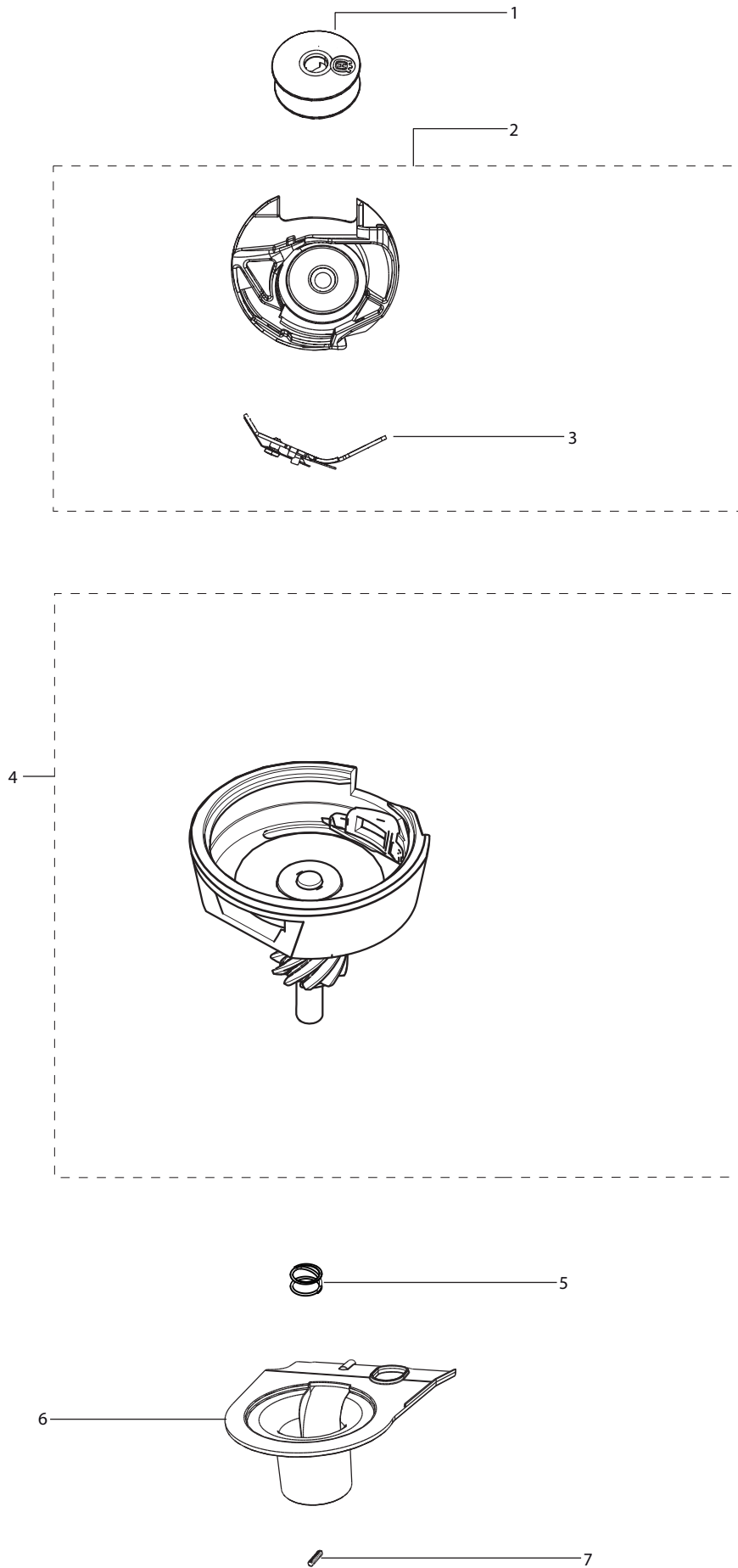
Designer Topaz 20-30

G



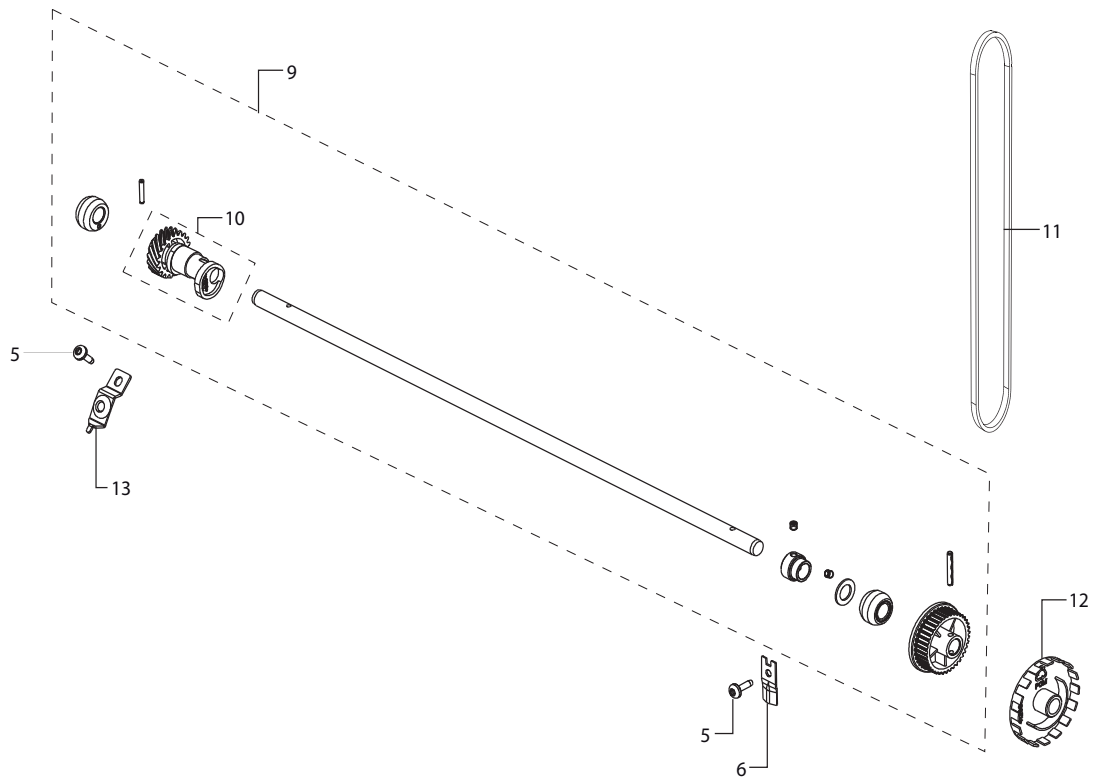
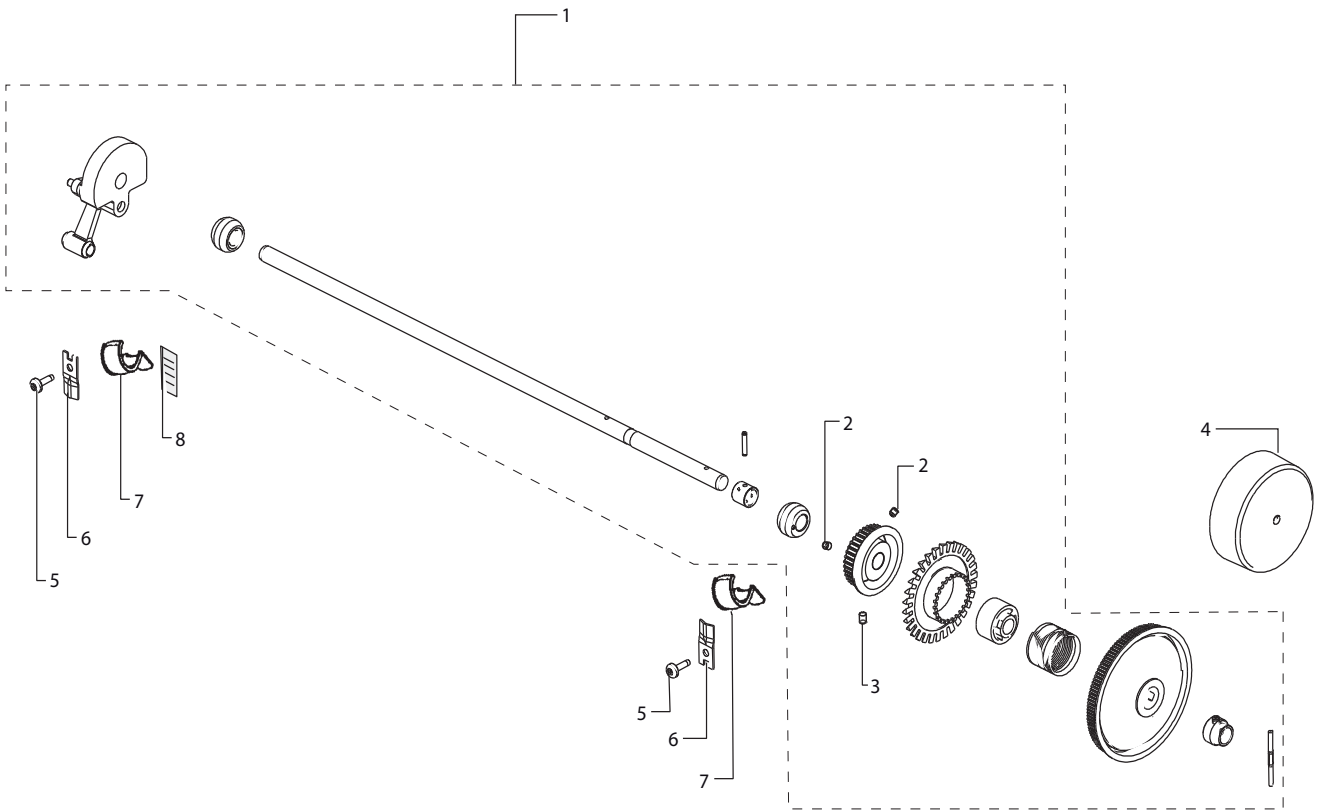
1	412963901	BOBBIN COVER
2	413025601	BOBBIN CASE HOLDER CPL.
3	412423701	THREAD CUTTER
4	412964204	STITCH PLATE
5	412964002	HOOK COVER CPL.,CUT. AND SENS.
6	412287903	SCREW
7	412964105	HOOK COVER
8	412997701	ESD SPRING, STITCH PLATE
9	413101502	CABLE ASS. BOBBIN SENSOR
10	413010001	GUIDE PIN
11	412280501	SCREW, COUNTERSUNK
12	413007101	FETCHER
13	413072201	CONNECTING PART, FETCHER
14	413007301	FETCHER UPPER THREAD
15	413116701	THREAD BRAKE
16	413047301	KNIFE HOLDER CPL.
17	413007701	KNIFE HOLDER
18	413007402	STEPPING MOTOR CPL.
19	411966828	SCREW PT 30*6 FZB TORX
20	413072501	CUT SENSOR ASS.
21	735612440	COMPRESSION RINGS Ø3
22	412056006	SCREW TAPTITE M4*12 TORX
23	413353001	MOTOR PLATE CPL.

H



1	413182545	BOBBIN, GREEN
2	413058901	BOBBIN CASE CPL.
3	412471601	THREAD TENSION SPRING BOBBIN
4	412876902	HOOK CPL.WITH SHAFT
5	412930101	SPRING, HOOK
6	412964502	DUST COVER
7	728528705	SCREW M4*8

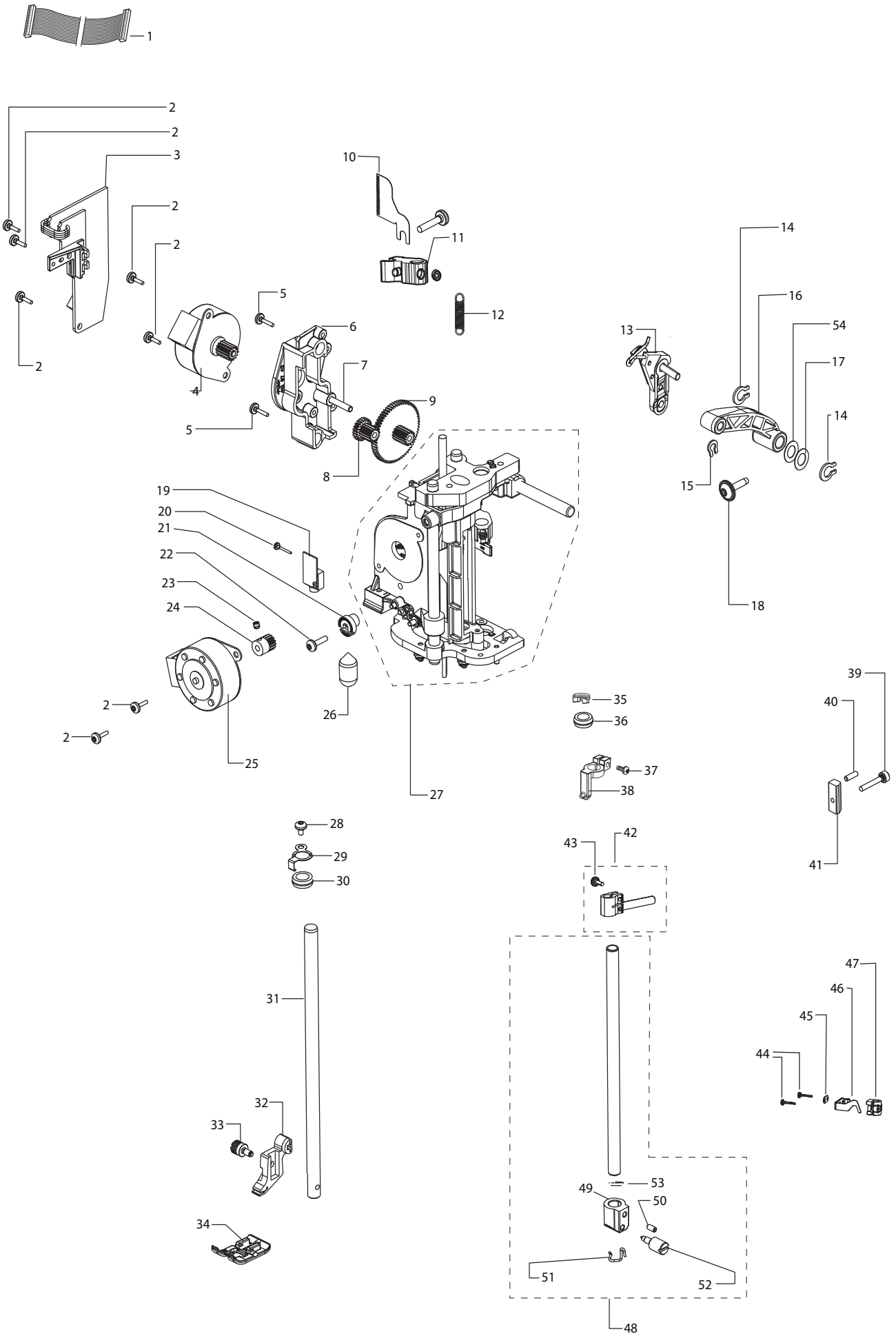
I



1	412966710	UPPER SHAFT CPL.TOPAZ 20
	412966704	UPPER SHAFT CPL.TOPAZ 30
2	411968706	SET SCREW FLAT M4*4 TORX
3	411968807	SET SCREW POINTED, M4*6 TORX
4	412954601	HAND WHEEL
5	412056006	SCREW TAPTITE M4*12 TORX
6	412328401	CLAMP
7	412558401	ABSORBER
8	412687601	GROUND TAPE
9	412967903	LOWER SHAFT CPL.
10	412964401	ECCENTRIC FEED CPL.
11	413020301	COG BELT UPPER-LOWER SHAFT
12	412968101	SHIELD, REVOLUTION INDICATOR
13	412318101	CLAMP LOWER SHAFT

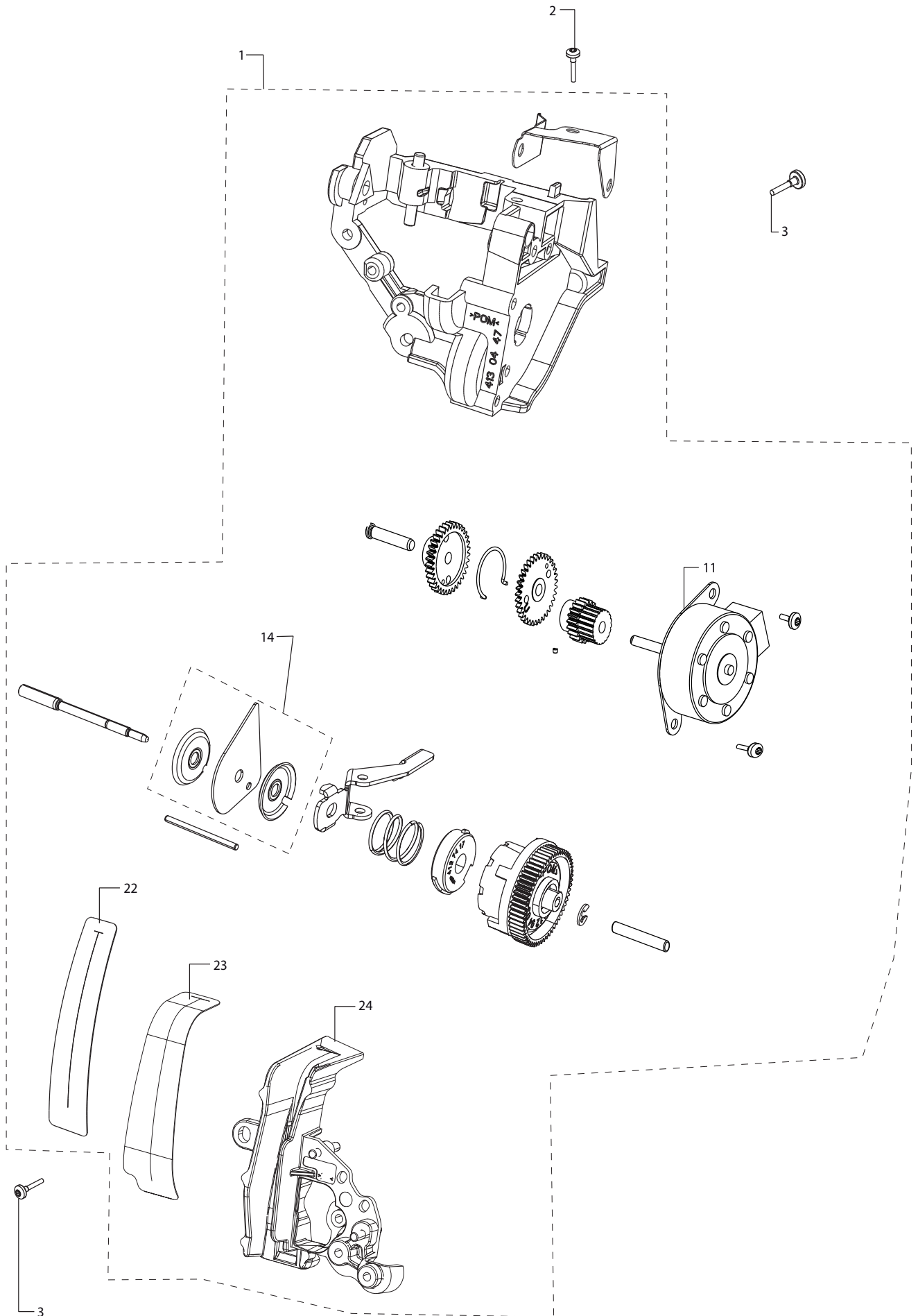
Designer Topaz 20-30

J



1	412546912	CABLE ASSEMBLY (18P)
2	411966801	SCREW PT 30*7,5 FZB TORX
3	413015501	CONN.BOARD SERVO SENS.
4	413005901	STEPMOTOR P-FOOT PRESSURE
5	411966820	SCREW 30*10 FZB KOMBITORX
6	412974201	GEAR HOUSE, SERVO
7	412316010	INA PIN NRB 3*17,8 0-3UM
8	412974301	GEAR WHEEL SERVO PRIM.
9	412974401	GEAR WHEEL SERVO SEC.
10	412973901	SHIELD, PRESSER FOOT SERVO
11	413261601	GUIDE, SERVO CPL.
12	413137602	SPRING, PRESSER FOOT PRESSURE
13	413300302	TAKE UP LEVER CPL W. THREAD GUIDE,VER 2
14	735615340	COMPRESSION RINGS Ø6
15	735613640	COMPRESSION RINGS Ø4
16	413047401	LINK
17	412001301	SPRING WASHER Ø 6,1/9*0,1
18	413169401	COLLAR SCREW TT TORX 4*14
19	413031001	BUTTONSENS. CONN.ASS.
20	411966821	SCREW PT 18*10 FZB TORX
21	412966501	CALIBRATION KNOB
22	412211404	SCREW M3*10 TORX
23	411968703	SET SCREW FLAT, M3*3 TORX
24	413057201	GEAR, Z-Z
25	412993901	STEPPING MOTOR
26	413181802	LAMP, 24V, 5W
27	413244201	SEWING HEAD CPL.
28	412211401	SCREW M3*4 TORX
29	413060301	CLIPS, GABLE LOWER
30	412500601	BEARING
31	412285403	PRESSER BAR
32	412616145	HOLDER, PRESSER FOOT
33	412409701	SCREW, PRESSER SHAFT
34	412764001	PRESSER FOOT A,7 MM
35	412504701	CLAMP RING
36	412501501	BEARING 10/6,35-4
37	413019001	SCREW K 30*8 PT WN 1452 S
38	412993502	STROKE LIMITER
39	725522805	SCREW M3*16 INSEX
40	728522205	SOCKET SET SCREW FLAT POINT
41	412966601	WEDGE
42	412993603	CROSS HEAD
43	412280504	SCREW FS M3*10 FZB TORX
44	411966825	SCREW PT 16*8 FZB TORX
45	412876701	WASHER, NEEDLE THREADER
46	413238402	NEEDLE THREADER
47	413053601	HOLDER, NEEDLE THREADER
48	68008797	NEEDLE BAR CPL.
49	412581802	NEEDLE CLAMP
50	728521905	SOCKET SET SCREWS, FLAT POINT
51	412581901	THREAD GUIDE
52	412732301	SCREW NEEDLE CLAMP
53	411750303	STOP, NEEDLE CLAMP
54	411980601	WASHER

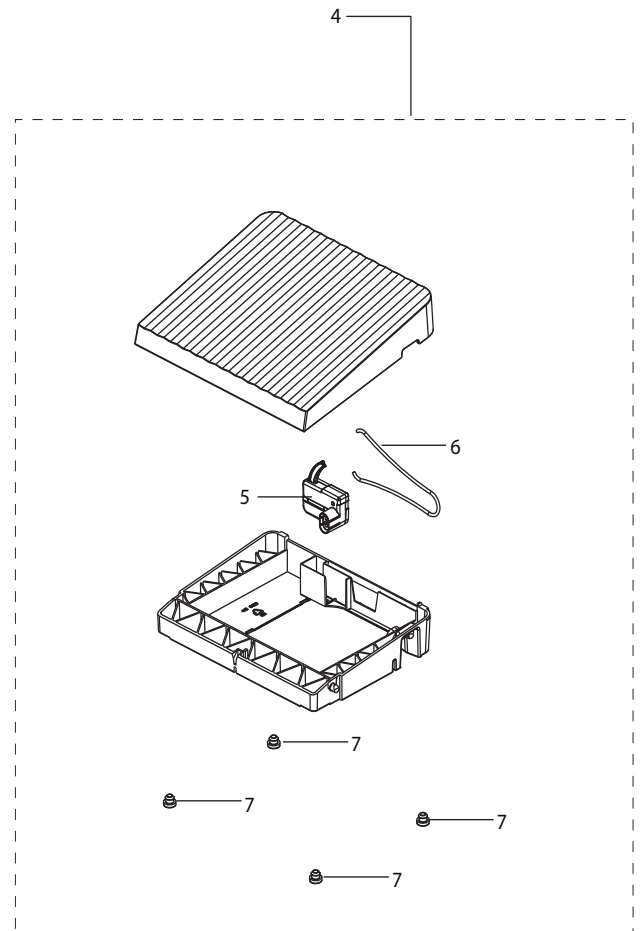
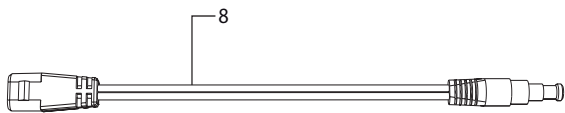
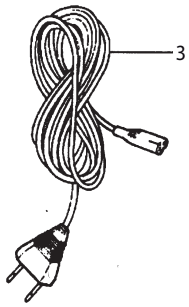
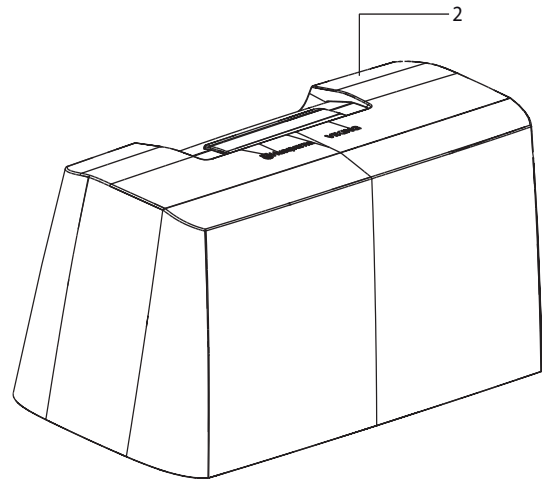
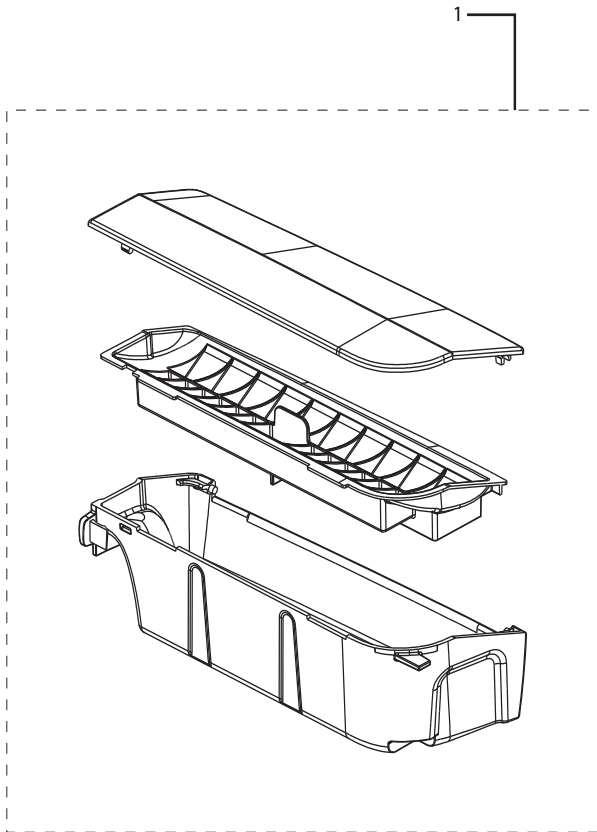
K



1	412940208	THREAD TENSION ASS.
2	411966803	SCREW PT 30*12 FZB TORX
3	412056006	SCREW M4*12 TORX
11	412993903	STEPPING MOTOR
14	413106402	THREAD DISK KIT
22	413017901	PROTECTION THREAD TAKE UP, VER 1
23	413218501	PROTECTION THREAD TAKE UP, VER 2
24	413232201	SHIELD, TAKE UP LEVER ASS.VER 2

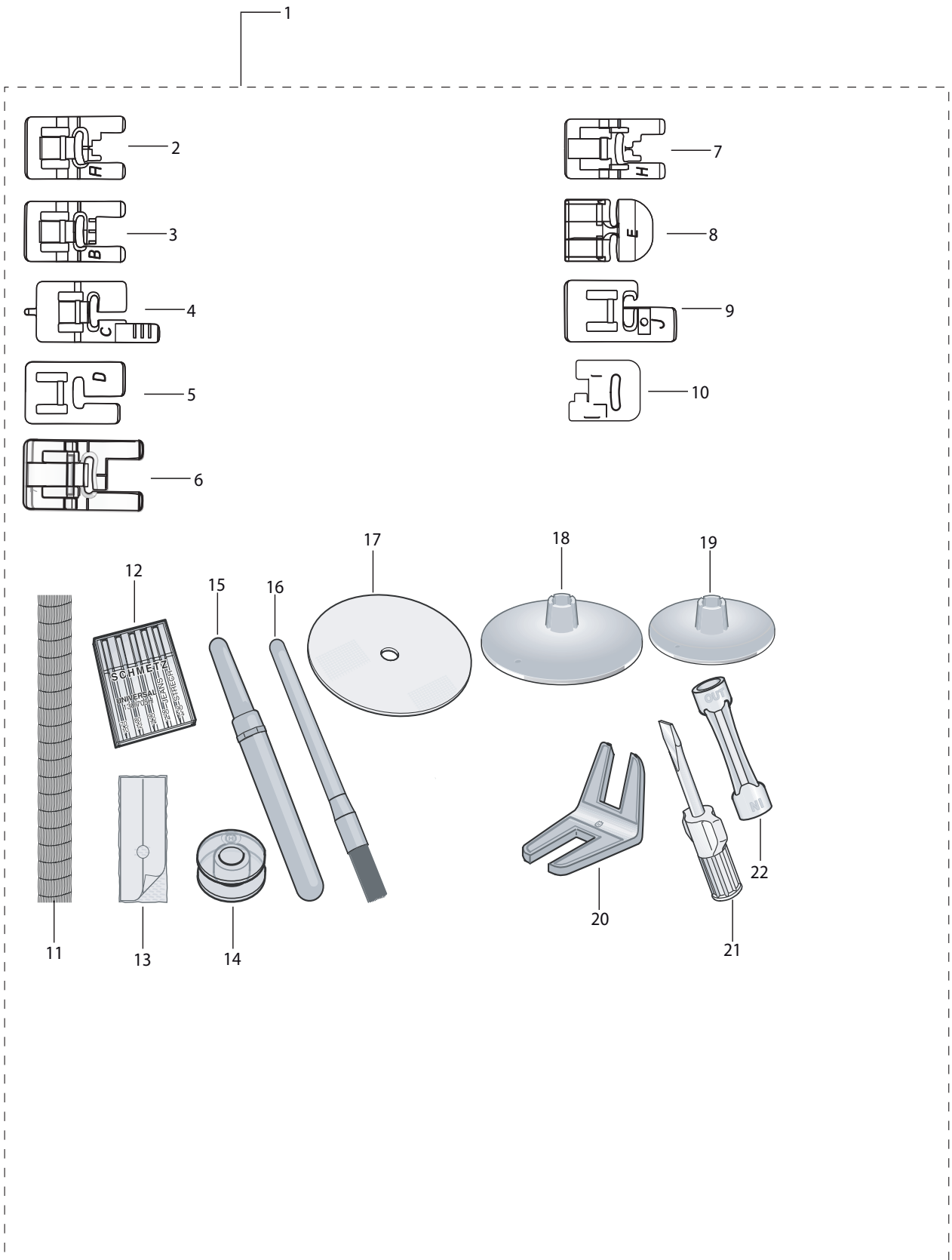
Designer Topaz 20-30

L



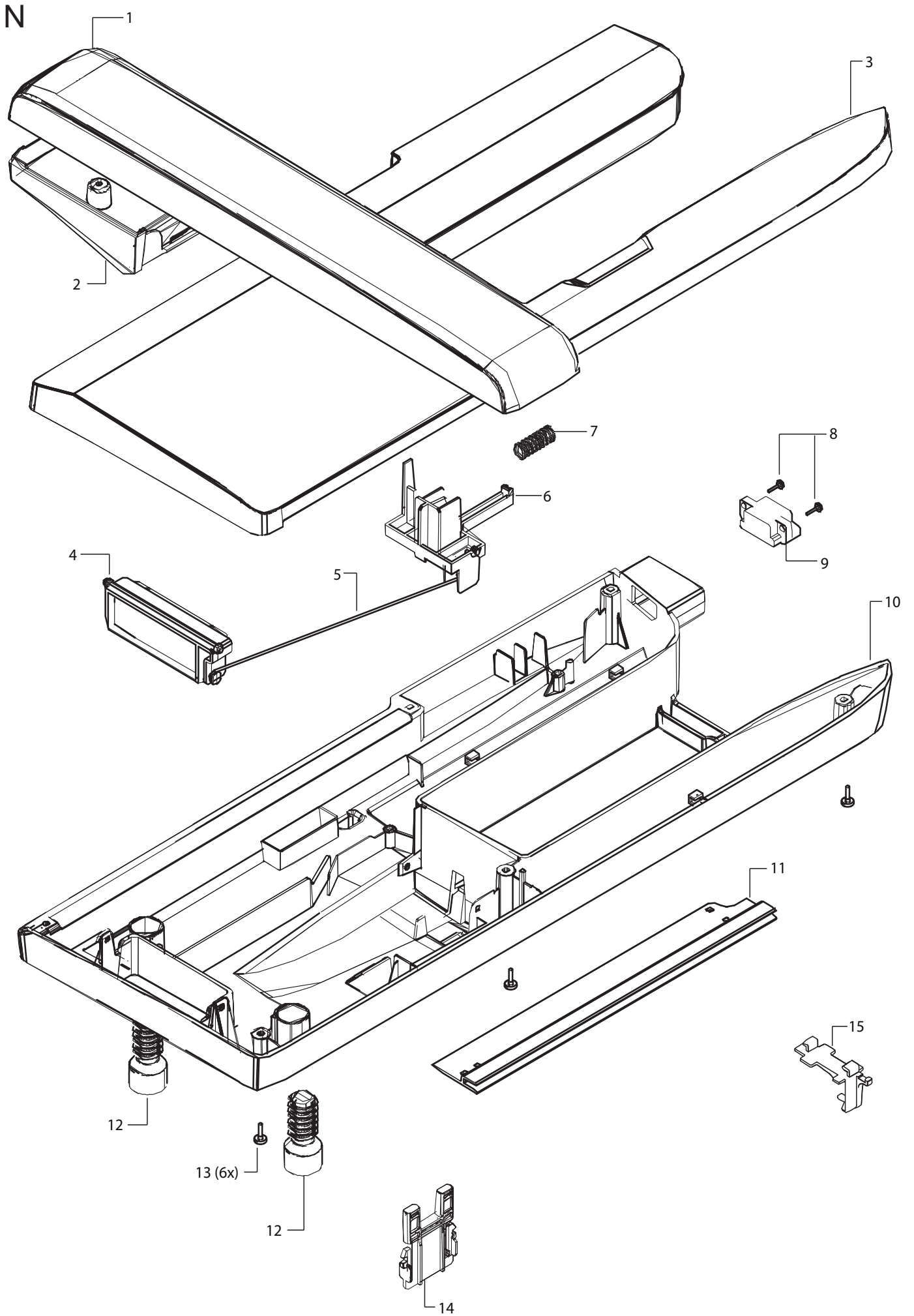
1	412983901	ACCESSORIES BOX CPL.
2	413018703	HARD COVER CPL.
3	412157801	NET CABLE 220V
	412157902	NET CABLE 120V, JP
	412157903	NET CABLE 120V
	412158002	NET CABLE GB
	412158101	NET CABLE AU
4	412991402	FOOT CONTROL CPL. WHITE N.WIND.
5	412318901	CONTROL UNIT INCL. CARD CV
6	412159801	SPRING
7	412184501	FOOT
8	413021501	CABLE, FOOT CONTROL

M



1	413021618	STANDARD ACCESSORIES CPL.
2	412764001	PRESSER FOOT A, 7 MM
3	413113646	PRESSER FOOT B
4	412785345	BUTTONHOLE PRESSER FOOT C
5	412380446	BLINDHEM FOOT D
6	413113845	DECOR.STITCH PRESSER FOOT CPL.
7	412796145	SMOOTH GLIDE FOOT H
8	412801501	ZIPPER PRESSER FOOT
9	412380645	EDGING PRESSER FOOT J
10	412849801	EMBROIDERY FOOT R CPL.
11	412397701	THREAD NET 15*100
12	620071196	NEEDLES
13	412827401	GLIDE SOLE, BUTTONHOLE FOOT
14	413182545	BOBBIN, GREEN
15	401539901	SEAM RIPPER
16	401555501	BRUSH
17	412610701	FELT PAD
18	413051603	SPOOL HOLDER 45 MM
19	413051602	SPOOL HOLDER 35 MM
19	413051602	SPOOL CAP SMALL 22 MM
20	413105601	CLEARANCE PLATE
21	412381501	SCREW DRIVER
22	412570101	SLEEVE, LAMP
23	412815102	BUTTONHOLE SENSOR FOOT CPL.

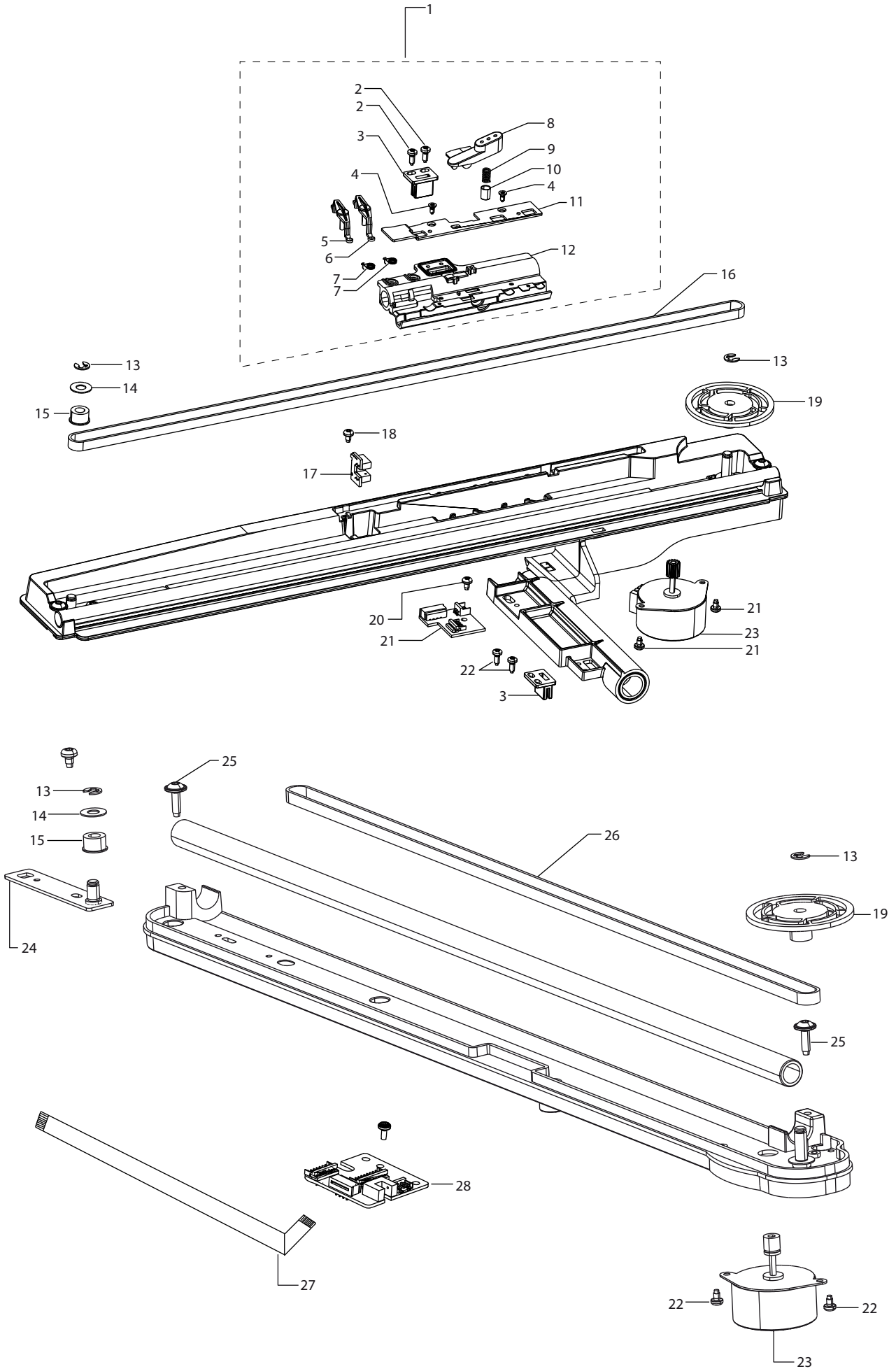
Designer Topaz 20-30



1	413161201	Y-COVER, Y=260, TOPAZ 20
	413120301	COVER, Y-ARM, Y=360, TOPAZ 30
2	413161301	MOTOR COVER, Y-ARM, Y=260, TOPAZ 20
	413120401	MOTOR COVER Y-ARM, Y=360, TOPAZ 30
3	413161001	TOP COVER, XY-UNIT, X=200
4	413027701	HANDLE LATCH
5	413027803	CONNECTING ROD, LATCH X=200
6	413027601	LATCH
7	412721401	SPRING, LATCH P08-E
8	411966820	SCREW 30*10 FZB KOMBITORX
9	413028801	CABLING, XY-UNIT CPL
10	413160901	BOTTOM COVER, XY-UNIT X=200
11	413161101	GUIDE, XY-UNIT, X=200
12	413028502	FOOT, XY-UNIT CPL.
13	412056006	SCREW TAPTITE M4*12 TORX
14	413030101	TRANSPORT LOCKING DEVICE
15	413119802	SUPPORT ARM, Y-ARM

Designer Topaz 20-30

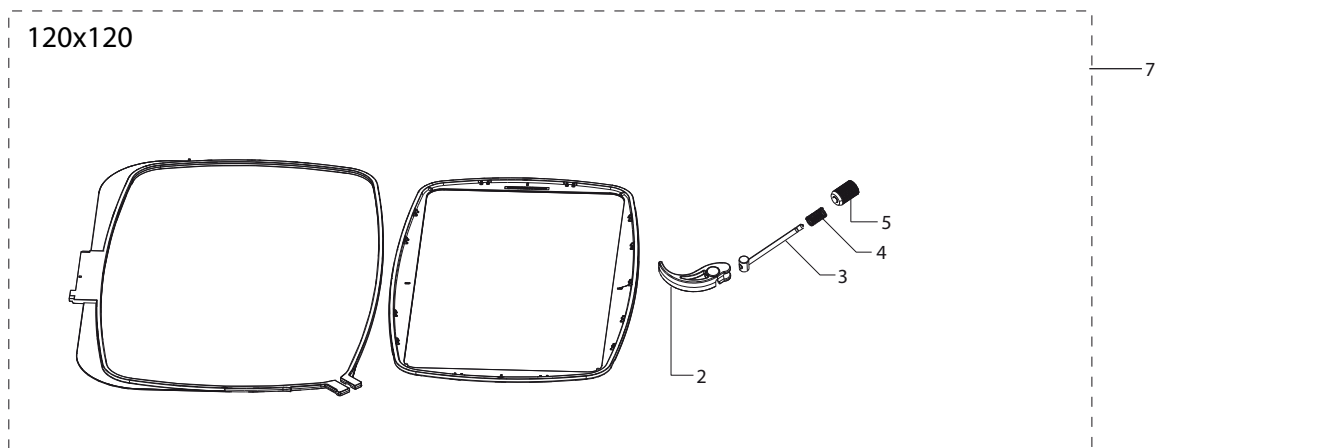
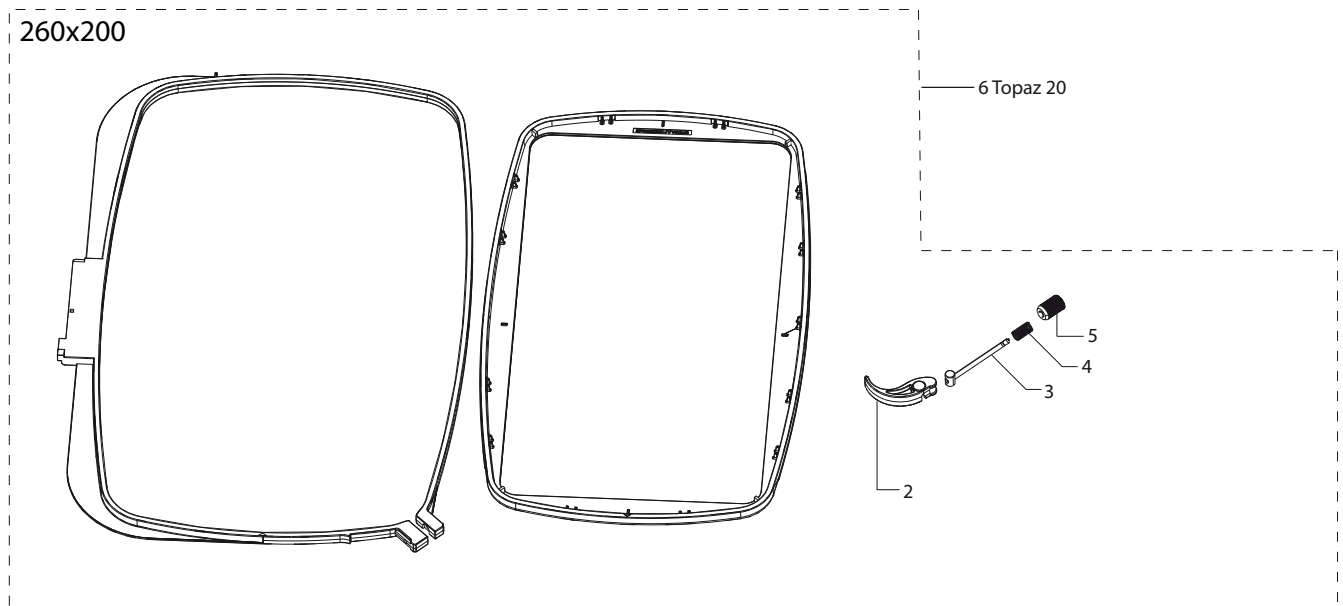
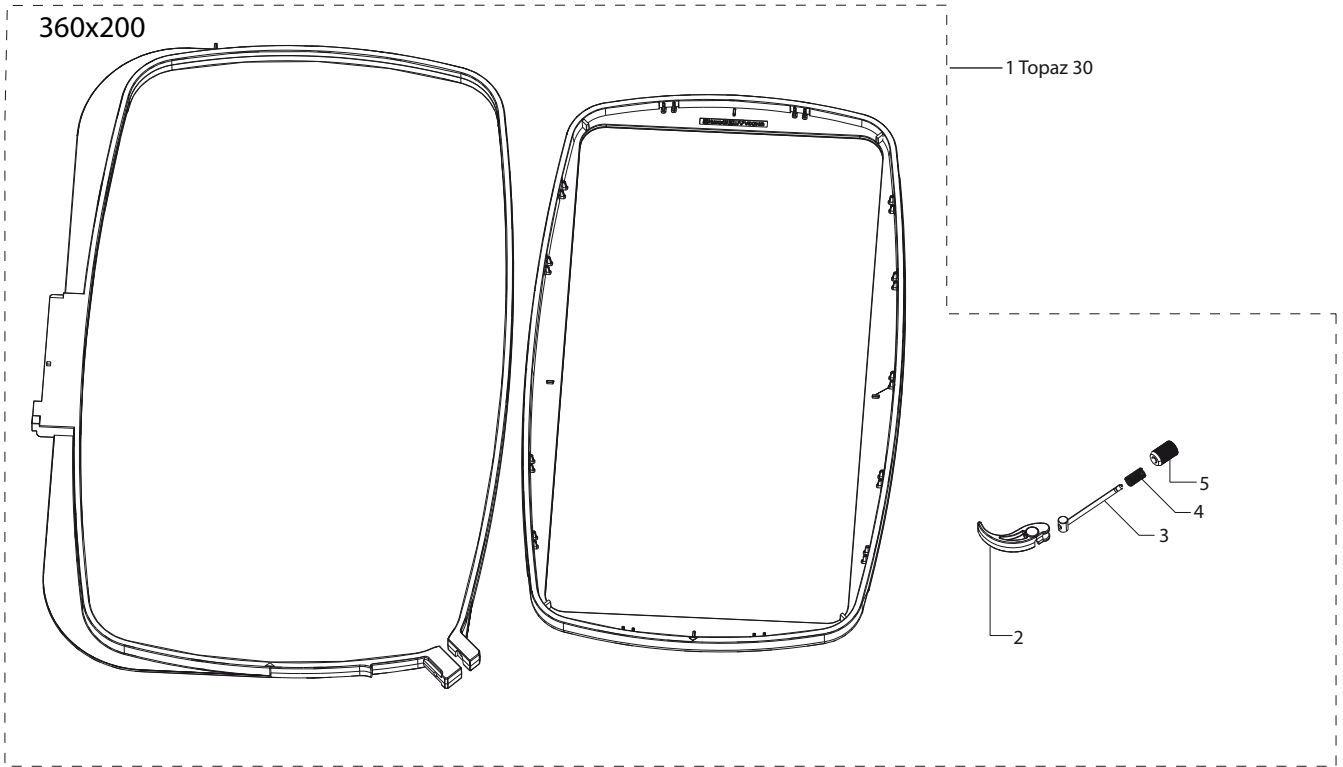
O



1	413026701	Y-SLED CPL.
2	411966801	SCREW PT 30*7,5 FZB TORX
3	412525301	HOLDER BELT
4	411967306	SCREW PT FS 25*6 OXSV TORX
5	412749801	SENSOR, EMBROIDERY FRAME
6	412525402	SENSOR EMBROIDERY FRAME
7	412555701	SPRING
8	413030201	LOCKING ARM, Y-SLED
9	412526601	SPRING
10	412590003	SLEEVE
11	413026901	PANEL Y-SLED CPL.
12	413026801	Y-SLED
13	735310820	LOCK WASHER 4
14	412384301	WASHER 6/13*0,6
15	412384202	COG WHEEL
16	413075201	SYNCHRONOUS BELT,Y-FRAME,TOPAZ 20
	413027201	SYNCHRONOUS BELT XY-UNIT, TOPAZ 30
17	413029601	BOARD, HOOP DETECTION CPL.
18	412056011	SCREW TAPTITE M3*5 TORX
19	412524601	GEAR WHEEL
20	412056001	SCREW TAPTITE M5*14 TORX
21	413029301	BOARD, Y-ARM CPL.
22	412056004	SCREW TAPTITE M3*6 TORX
23	413029901	STEPPER MOTOR XY-UNIT,CPL.
24	412524901	PLATE, BELT TENSION CPL.
25	412281904	SCREW FLANGE M4*10 TAPTITE TORX
26	412526702	Y-BELT
27	412388107	FLEX CABLE
28	413029002	BOARD, XY-UNIT CPL 260*200, TOPAZ 20
	413029003	BOARD, XY-UNIT CPL 360*200, TOPAZ 30

Designer Topaz 20-30

P



1	412944501	EMBROIDERY FRAME CPL. 360*200, TOPAZ 30
2	412984701	LOCKING HANDLE EMBROIDERY HOOP
3	412956204	SCREW CPL. HOOP
4	412620701	SPRING, EMBROIDERY HOOP
5	412996501	NUT EMBROIDERY FRAME
6	413116501	EMBROIDERY FRAME 260*200, TOPAZ 20
7	412968201	EMBROIDERY FRAME CPL. 120*115