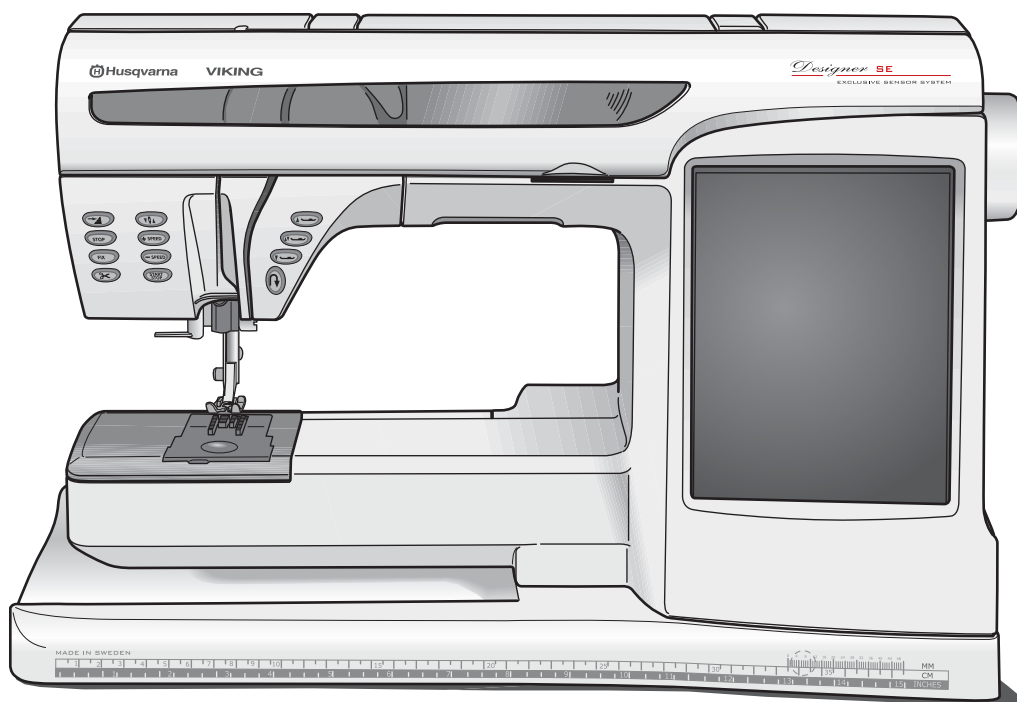


Parts List

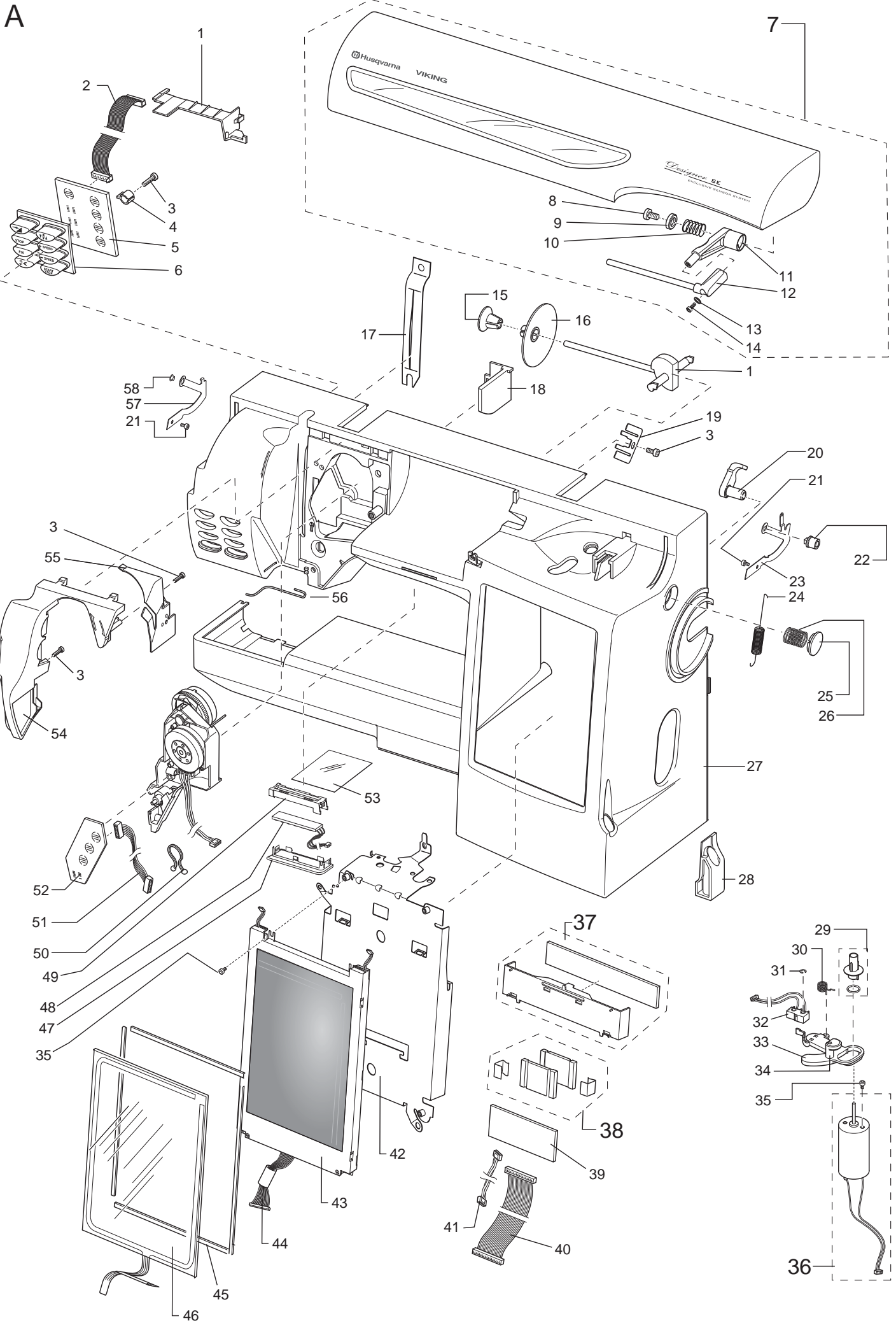


Designer SE

EXCLUSIVE SENSOR SYSTEM

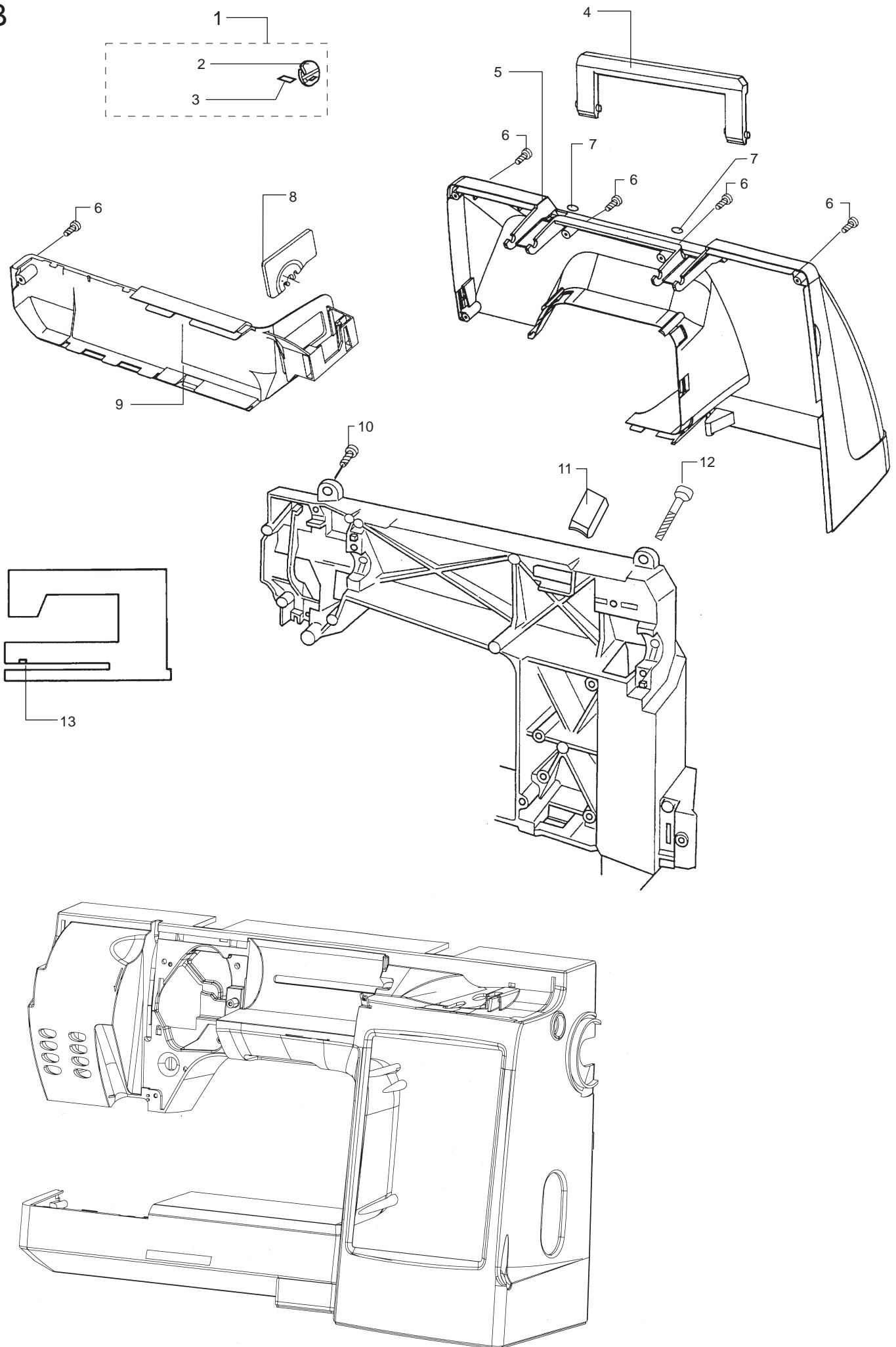
Designer SE
EXCLUSIVE SENSOR SYSTEM

LIMITED EDITION



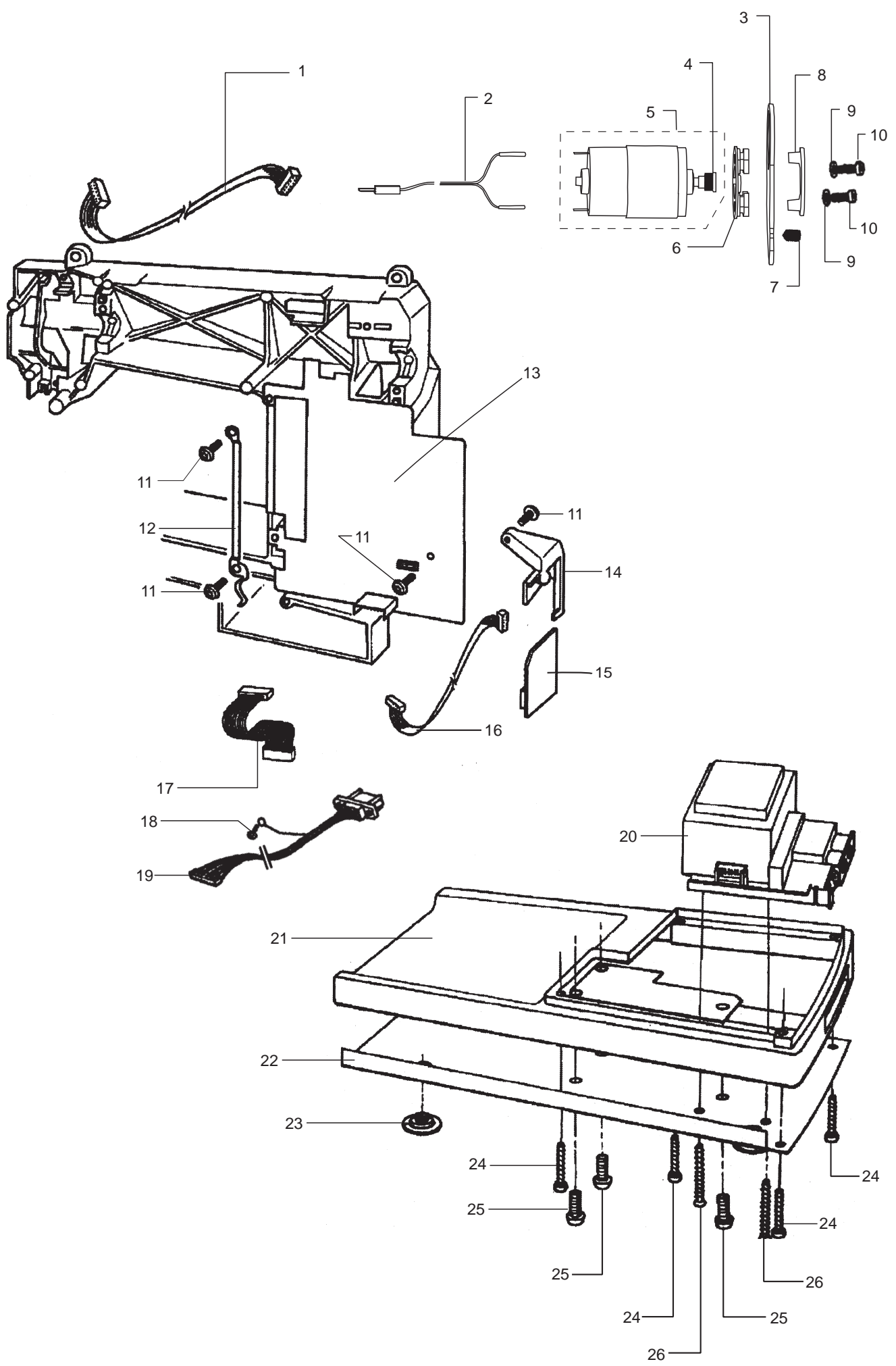
1	412797201	CABLE LOCATOR	54	412773701	THREAD GUIDE
2	412546902	CABLE ASSEMBLY (10P)	55	412740901	THREAD GUIDE ASS.
3	411966810	SCREW PT 40*20 FZB TORX	56	412544801	THREAD GUIDE
4	412549601	HOLDER	57	412859401	HINGE LID
5	412789401	KEY BOARD LEFT CPL.	58	412522301	BUSHING
	412789402	KEY BOARD LEFT CPL.			
6	412794901	BUTTON LEFT			
7	412737601	LID CPL.			
	412737602	LID CPL.			
8	411966801	SCREW PT 30*7,5 FZB TORX			
9	N/S	BUSHING			
10	N/S	SPRING			
11	N/S	HOLDER			
12	N/S	THREAD REEL PIN			
13	734111271	WASHER			
14	411966823	SCREW PT 18*5 FZB TORX			
15	412371101	THREAD REEL DISC 20MM (WHITE)			
16	412371102	THREAD REEL DISC 40MM (WHITE)			
17	412480902	SEAL TAKE UP LEVER			
18	412797301	CABLE LOCATOR UPPER SHAFT			
19	412735201	PLATE SPRING			
20	412774801	CATCH, LOCKING LEVER			
21	412211401	SCREW M3*4 TORX			
22	412703501	FRICTION JOINT			
23	412737001	HINGE COVER			
24	412798401	SPRING			
25	412775001	SPRING FOR LID OPENING BUTTON			
26	412774901	LID OPENING BUTTON			
27	412901401	FRONT COVER CPL.			
28	412830001	HOLDER, STYLUS			
29	412725901	WINDING SHAFT			
30	412757701	TORSION SPRING,WINDING STOP			
31	735611340	COMPRESSION RING Ø2			
32	412775601	MICRO SWITCH CPL.			
33	412735101	LEVER,WINDING STOP			
34	412345001	ECCENTRIC WINDING STOP			
35	412211422	SCREW M 2,5*3 FZB TORX			
36	412775801	BOBBIN WINDER MOTOR CPL.			
37	412960001	INVERTER CPL.			
38	412914901	FERRITE			
39	412795701	CONNECTOR BOARD DISPLAY			
40	412546907	CABLE ASSEMBLY (20P)			
41	412829701	CABLE FRONT, INVERTER			
42	412724601	FRAME DISPLAY			
43	412759201	DISPLAY			
44	412538005	DISPLAY CABLE			
45	412922801	SEALING 4 PCS			
46	412735001	KEY BOARD DISPLAY			
47	412789701	LED UNIT			
48	412794101	LAMP COVER			
49	412801701	LED HOLDER			
50	412577503	CABLE HOLDER			
51	412546908	CABLE ASSEMBLY (10P)			
52	412787402	KEY BOARD RIGHT			
	412787401	KEY BOARD RIGHT			
53	412842701	COOLING TAPE, LED ARM			

B



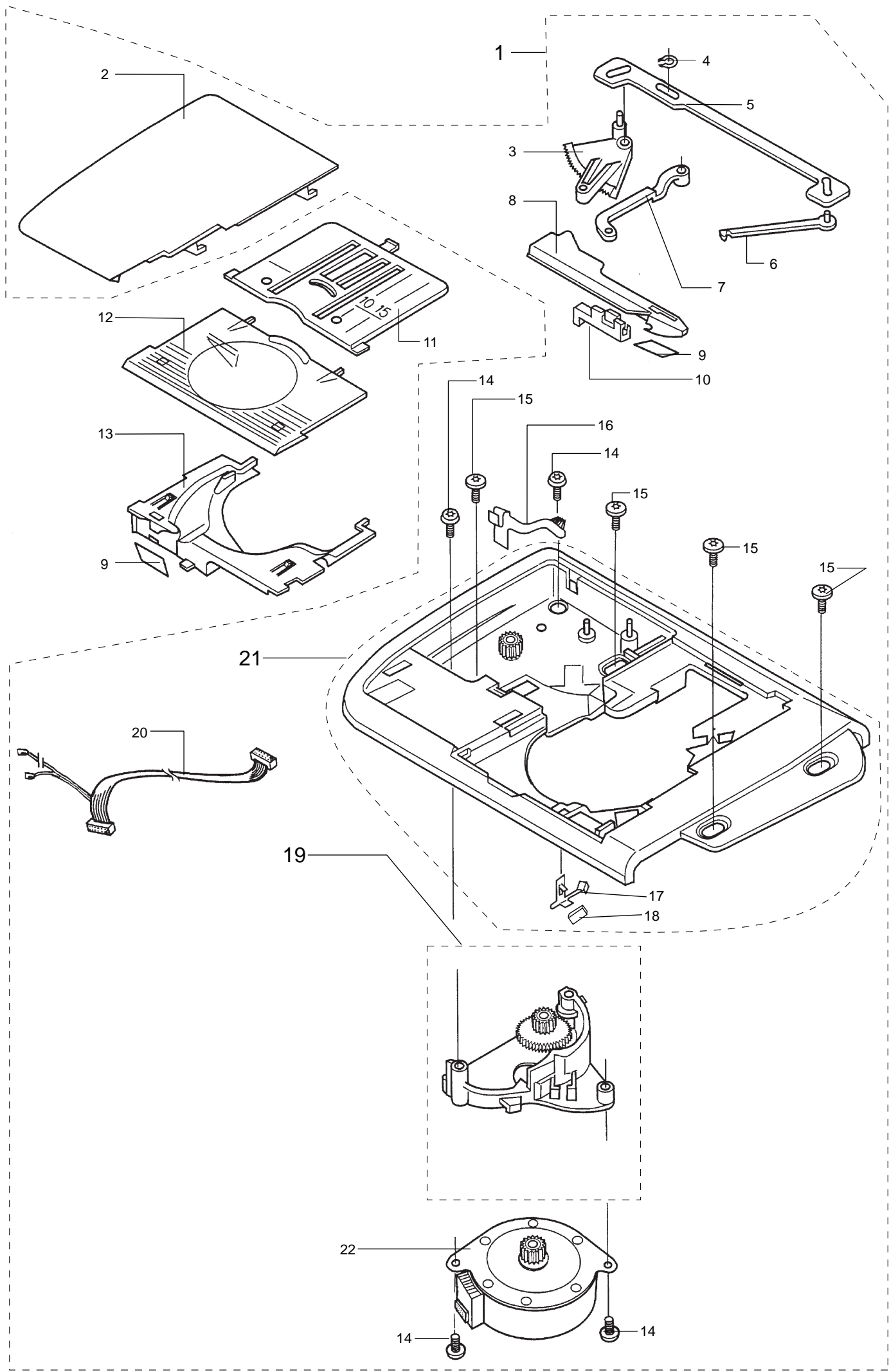
1	412452301	THREAD CUTTER
2	412452401	WASHER FOR CUTTER
3	412423701	THREAD CUTTER
4	412771201	HANDLE
5	412770901	BACK COVER
6	411966803	SCREW PT 30*12 FZB TORX
7	412569701	DAMPER
8	412523001	COVER
9	412522801	COVER PLATE FREE ARM
10	411966810	SCREW PT 40*20 FZB TORX
11	412589901	DISTANCE
12	411966812	SCREW PT 40*40 FZB TORX
13	412323302	SEALING WASHER

C



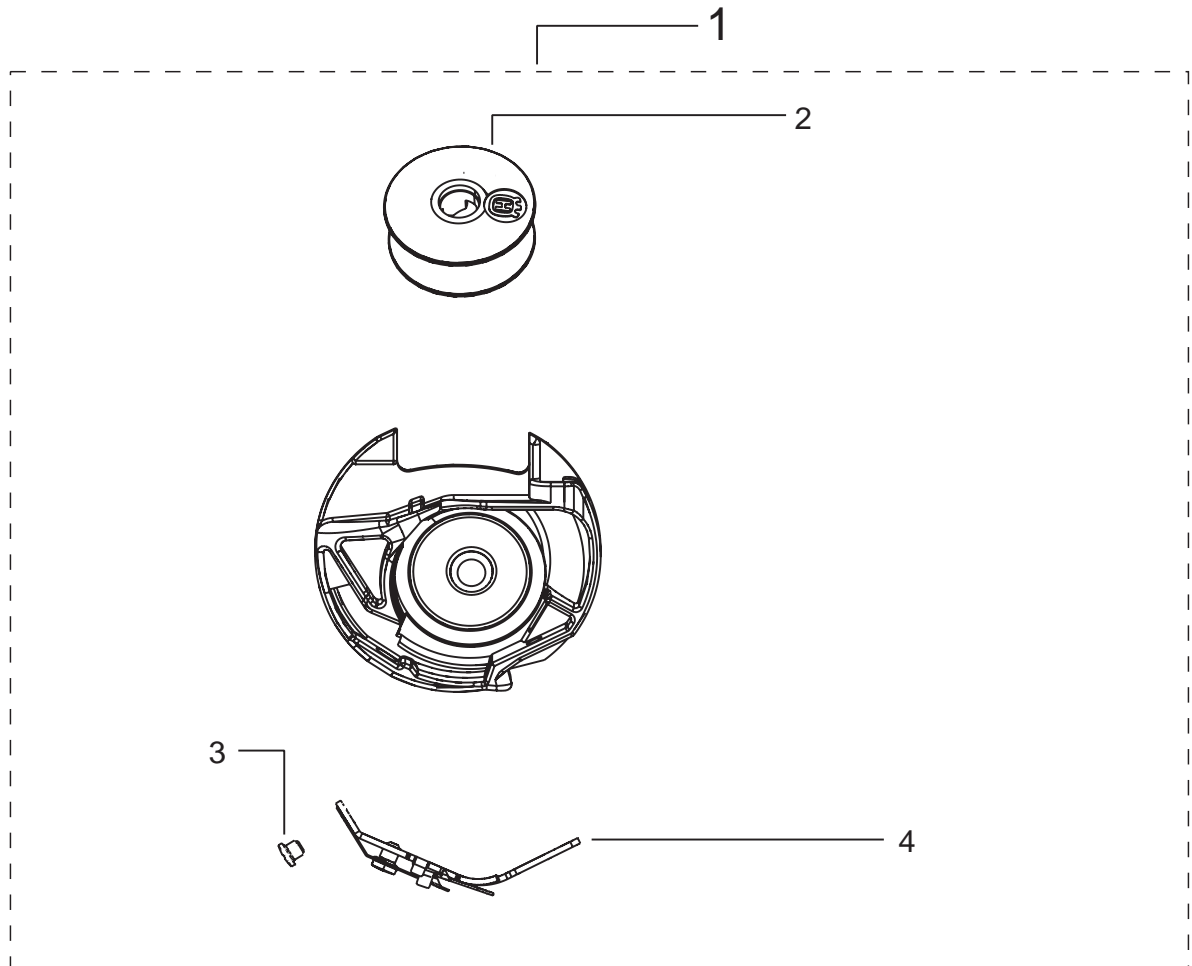
1	412546901	CABLE ASSEMBLY (18P)
2	412349601	CABLAGE MOTOR 400
3	412339301	ATTACHMENT MOTOR
4	412353302	DRIVING WHEEL MOTOR 350, 400, 500
5	412901201	DRIVING MOTOR CPL.
6	412339401	MUFFLER
7	411966820	SCREW 30*10 FZB KOMBITORX
8	412494901	DISTANCE
9	735213601	LOCK WASHER Ø4 3 TEETH OUT FZB
10	412211414	SCREW M4*16 TORX
11	412056006	SCREW TAPTITE M4*12 TORX
12	412545601	SPRING
13	412793845	PC BOARD MAIN
14	412516401	HOLDER, POSITION DETECTOR
15	412559301	SENSOR BOARD ASSEMBLY
16	412546904	CABLE ASSEMBLY (6P)
17	412349702	CABLE TRANSF.-CONTROL BOARD
18	412056010	SCREW TAPTITE M3*10 TORX
19	412558201	CABLE ASS.
20	412564305	POWER SUPPLY
21	412771101	BOTTOM COVER
22	412523401	BASE PLATE
23	412305001	RUBBER FOOT, BASE PLATE
24	411966812	SCREW PT 40*40 FZB TORX
25	412056001	SCREW TAPTITE M5*14 TORX
26	411967107	SCREW PT FS 40*35 FZB TORX

D

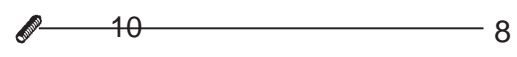
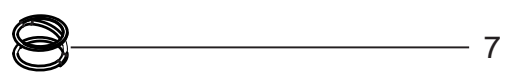
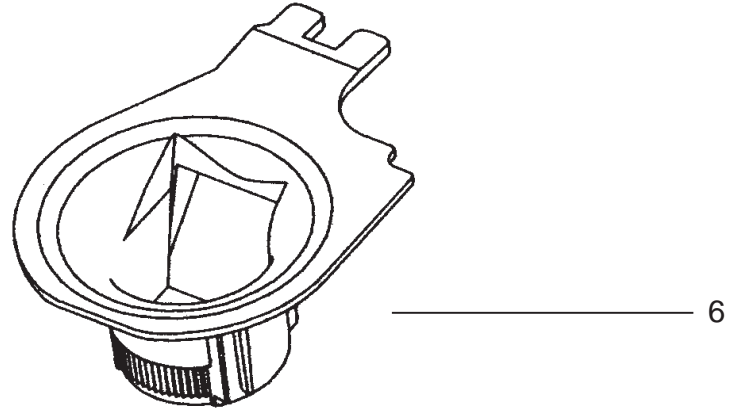
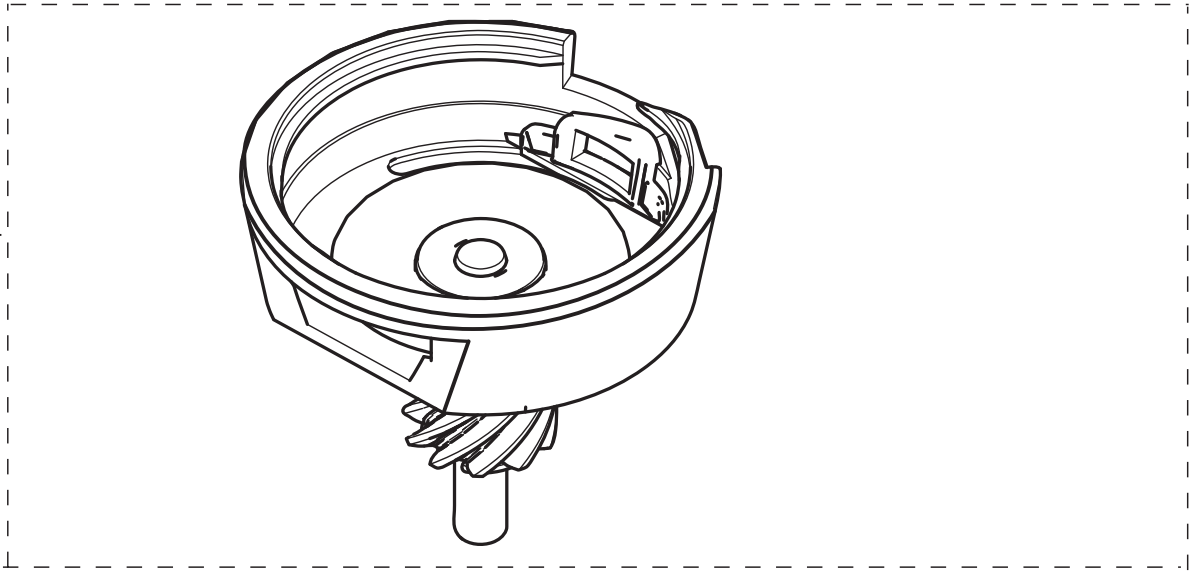


1	412901601	GRIP LOCK CPL.
2	412510501	COVER, THREAD CUTTER
3	412545201	COG SEGMENT
4	735611340	WASHER
5	412509701	SLIDE
6	412510101	THREAD HOOK ASS.
7	412545301	LEVER
8	412545403	FETCHER
9	412423701	THREAD CUTTER
10	412795001	KNIFE SLIDE
11	412789601	STITCH PLATE
12	412513401	BOBBIN COVER
13	412513301	CASE HOLDER ASS.
14	411966801	SCREW PT 30*7,5 FZB TORX
15	412287903	SCREW M4*5 FZB
16	413157401	THREAD BRAKE CPL. CUT
17	412508701	SPRING
18	412508801	DAMPER
19	412508901	GEAR BOX ASS.
20	412513102	CABLE LOWER THR.SENSOR
21	412901501	HOOK COVER
22	412512802	STEPPING MOTOR ASS.

E

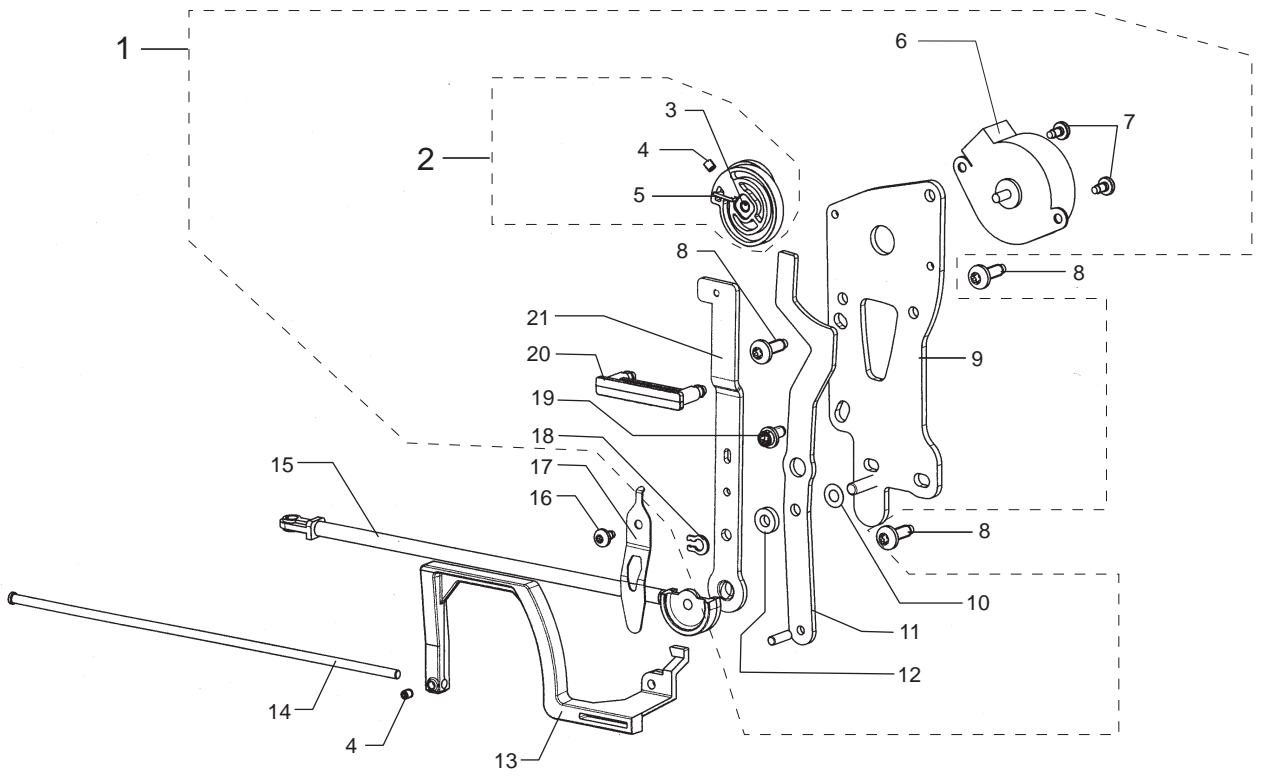


5

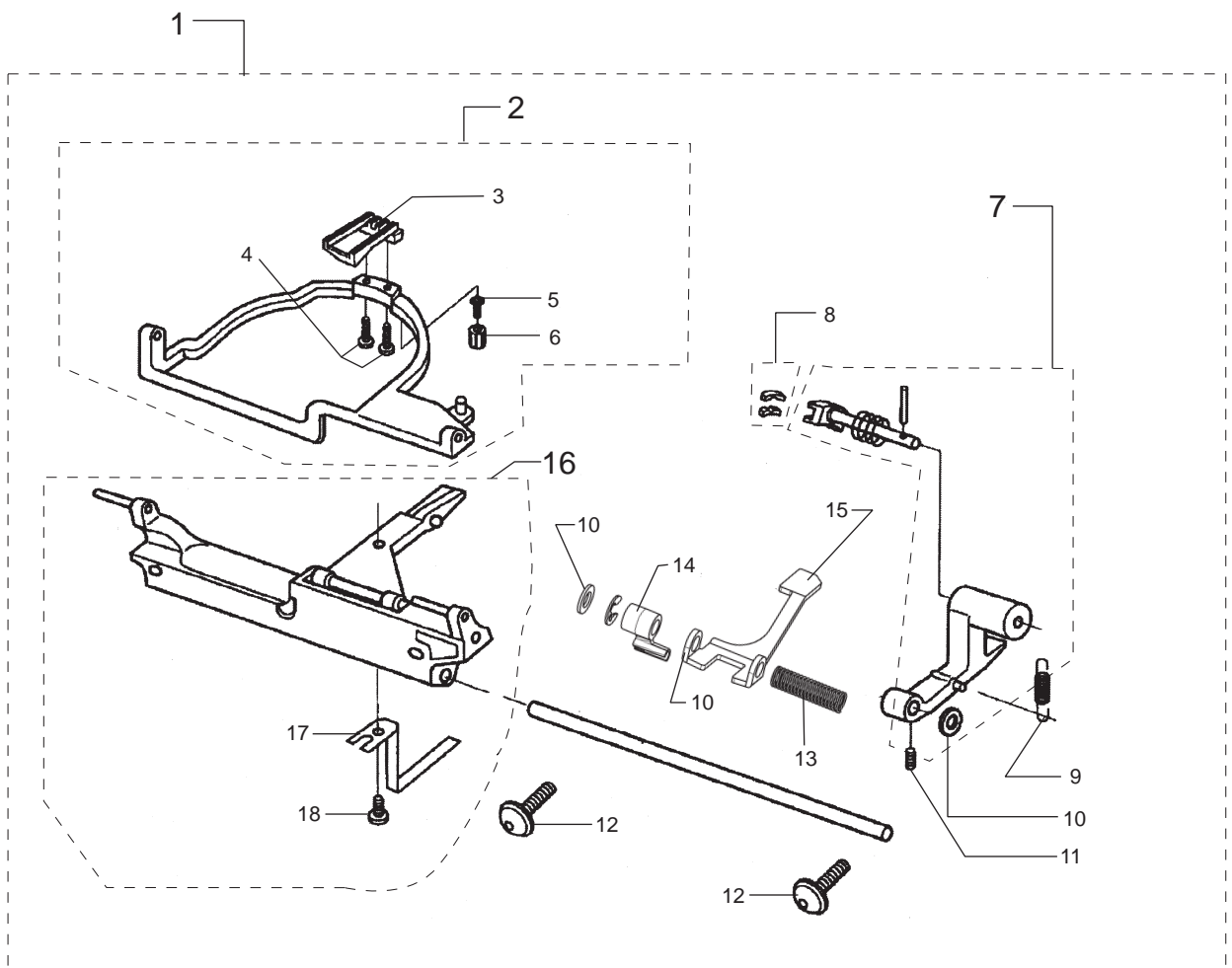


1	413058901	BOBBIN CASE CPL.
2	413182545	PLASTIC BOBBINS 10 PACK
3	412464501	SCREW, BOBBIN CASE
4	412471601	THREAD TENSION CPL.
5	412876902	HOOK CPL. WITH SHAFT
6	412934801	DUST SHIELD
7	412930101	SPRING, HOOK
8	728528705	SCREW M4*8

F



G



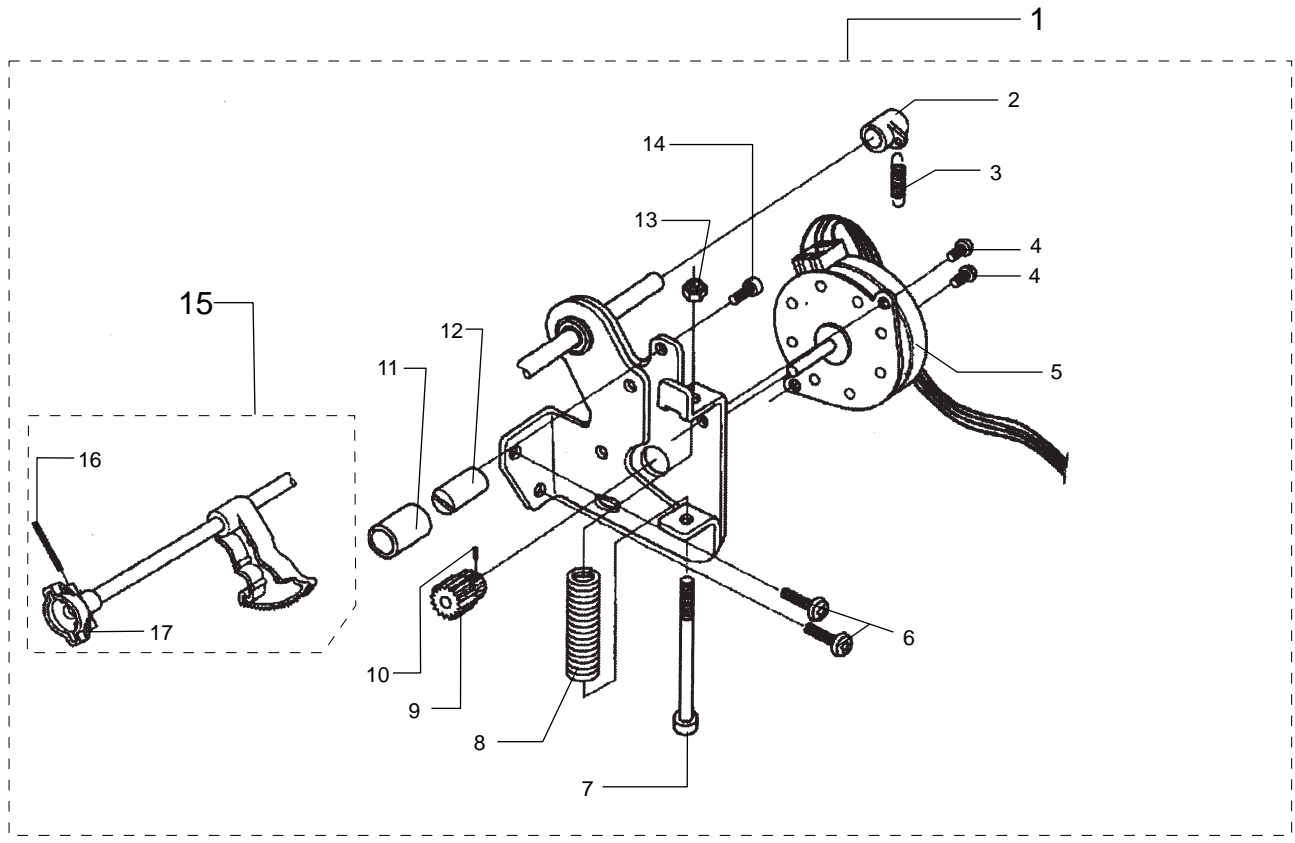
F

1	412773001	SIDE FEED/FEED DOG LOWERING CPL.
2	412772901	CAM WHEEL CPL.
3	N/S	HUB
4	411968703	SET SCREW FLAT M3*3 TORX
5	412796601	BUFFER
6	412556201	STEPPER MOTOR
7	412056004	SCREW TAPTITE M3*6 TORX
8	412056006	SCREW TAPTITE M4*12 TORX
9	412506101	FRAME SIDE FEEDING
10	412877001	WASHER
11	N/S	LEVER, FEED DOG LOWERING
12	N/S	DISTANCE WASHER
13	412772801	LINK FEED DOG LOWERING
14	412779701	PULL ROD
15	412506601	DRAW BAR
16	412056010	SCREW TAPTITE M3*10 TORX
17	N/S	CLAMP
18	735613640	COMPRESSION RINGS Ø4
19	412507301	ECCENTRIC
20	412779601	GUIDE
21	412772301	LEVER, SIDE FEED

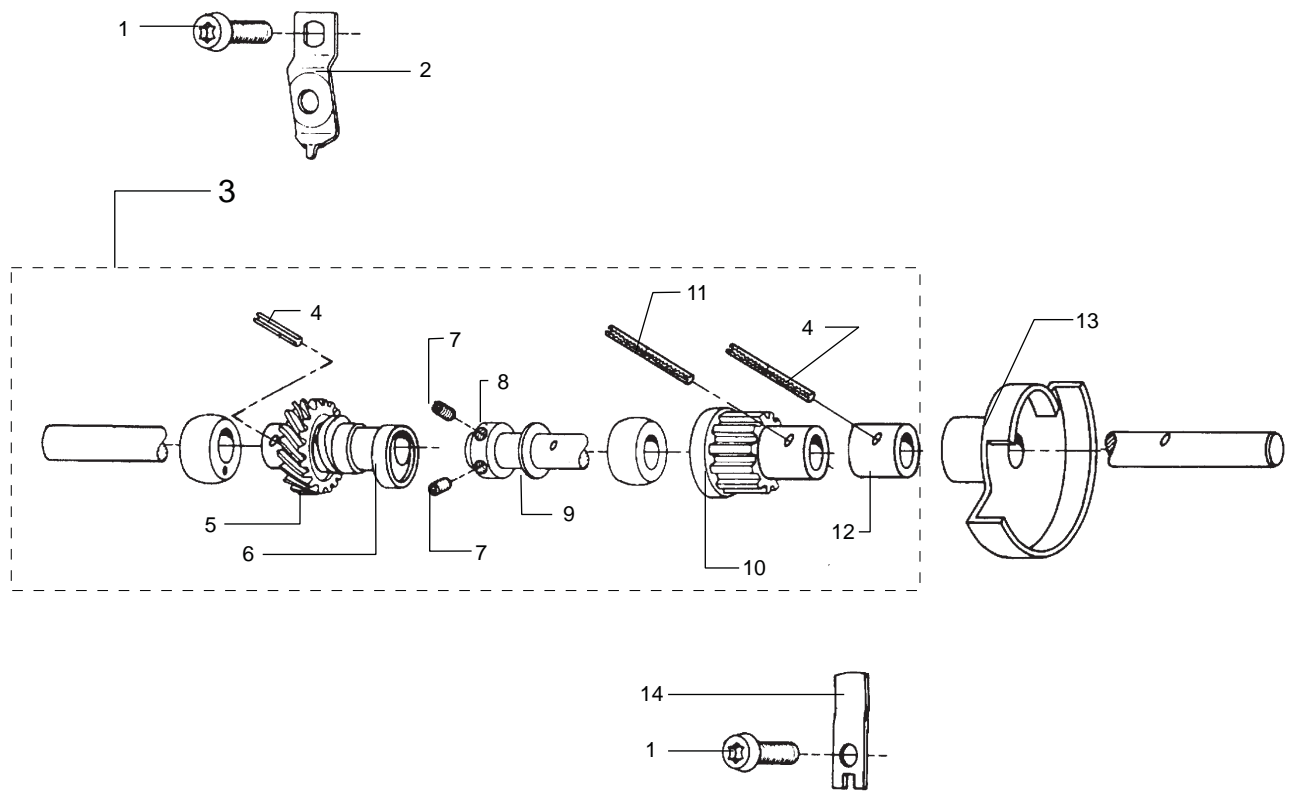
G

1	412513603	FEEDING UNIT CPL.
2	412515003	FEED DOG CPL.
3	412790601	FEED DOG
4	412211420	SCREW M2,5*12 8.8 FZB TORX
5	412318401	BUSHING, FEED DOG
6	412378201	NUT
7	412513701	FRAME FEED UNIT CPL.
8	412514301	BLOCK GUIDE
9	412515301	SPRING
10	411721001	WASHER
11	N/S	SCREW M4*4
12	412281902	SCREW FLANGE M4*14 TT TORX
13	412515501	SPRING
14	N/S	ATTACHMENT, PULL ROD
15	412515401	LEVER, FEED LIFT
16	412514401	FEED CARRIGE
17	412514901	SPRING, LINK
18	412056011	SCREW TAPTITE M3*5 TORX

H



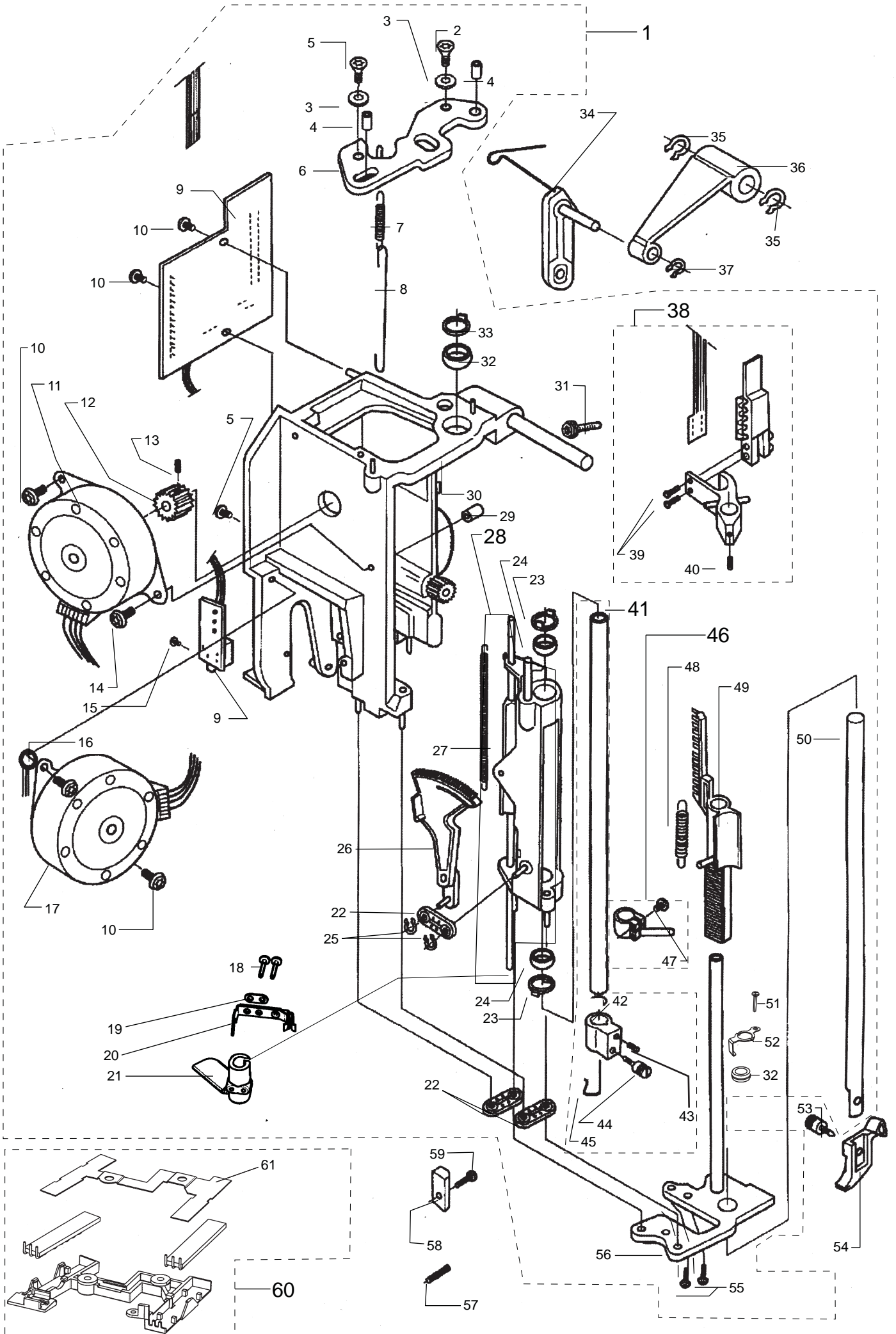
I



1	412540203	FEEDING STEP MOTOR CPL.
2	412348801	FASTENER SPRING
3	412507201	SPRING SEGMENT
4	412056004	SCREW TAPTITE M3*6 TORX
5	412323411	STEPPER MOTOR
6	412056006	SCREW TAPTITE M4*12 TORX
7	412348201	FEED MECH SET SCREW
8	412348101	SPRING
9	412540801	COG WHEEL
10	411968703	SET SCREW FLAT M3*3 TORX
11	N/S	DAMPER
12	N/S	CALIBRATION STOP
13	N/S	LOCKING NUT
14	N/S	SCREW M3*6
15	412541001	SHAFT FEEDING CPL.
16	N/S	PIN
17	412348501	JOINT CROSS

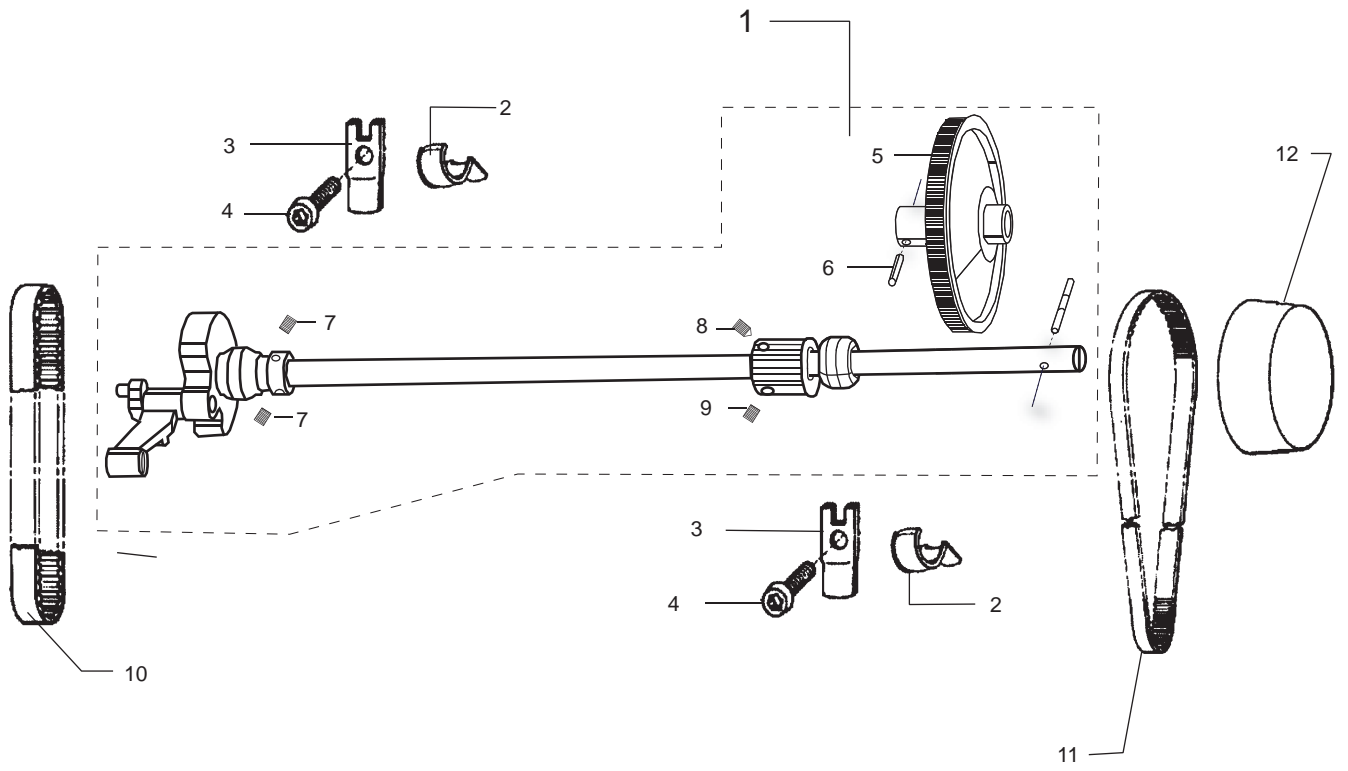
1	412056006	SCREW TAPTITE M4*12 TORX
2	412318101	CLAMP LOWER SHAFT
3	412516802	LOWER SHAFT CPL.
4	721418770	TUBE PIN
5	412516301	HELICAL GEAR
6	412516901	ECCENTRIC FEED
7	728828305	SCREW
8	412346001	RETAINING RING
9	412829101	WASHER, LOWER SHAFT
10	412354201	PULLEY FOR LOWER SHAFT
11	721421010	PIN
12	N/S	DISTANCE
13	412530301	SCREEN
14	412328401	CLAMP

J

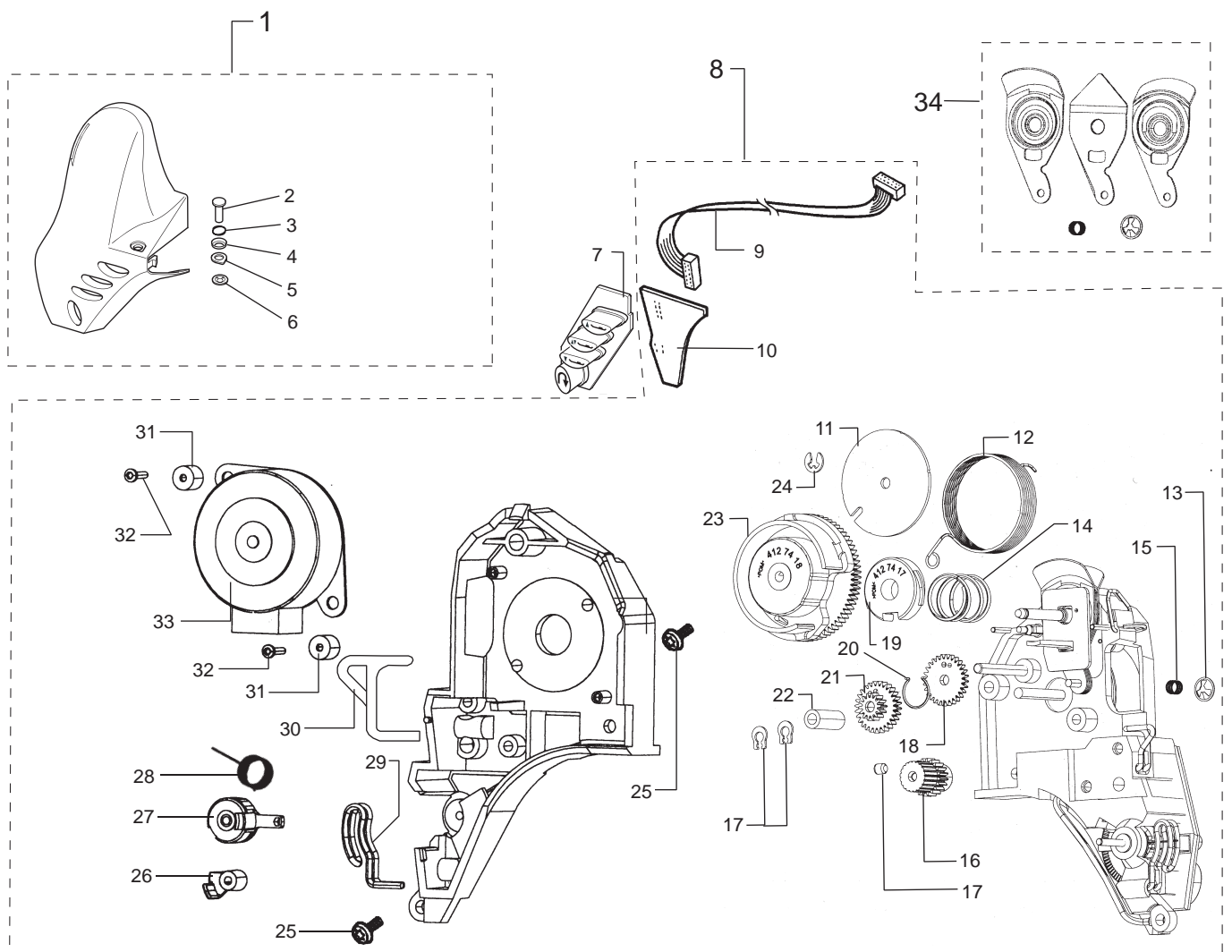


1	412901301	SERVO SEW. HEAD	57	728522205	SOCKET SET SCREW FLAT POINT
2	412211406	SCREW M3*14 TORX	58	412504601	WEDGE
3	734112541	WASHER Ø 9/3,2-0,9 FZB	59	725522805	SCREW M3*16 INSEX
4	412502302	ECCENTRIC NEEDLE BAR	60	412792801	LED CPL
5	411966804	SCREW PT 30*14 FZB TORX	61	412842801	COOLING TAPE, LED, SEWING HEAD
6	412502201	ADJUST. SLIDE			
7	412501001	SPRING			
8	412500901	SPRING			
9	412812401	CONNECTING BOARD			
10	411966801	SCREW PT 30*7,5 FZB TORX			
11	412323408	STEPPER MOTOR			
12	412336280	COG WHEEL			
13	411968703	SET SCREW FLAT M3*3 TORX			
14	412211404	SCREW M3*10 TORX			
15	411966821	SCREW PT 18*10 FZB TORX			
16	412591101	CABLE ASS.			
17	412505601	STEP MOTOR			
18	411966825	SCREW PT 16*8 FZB TORX			
19	412876701	WASHER, NEEDLE THREADER			
20	413238402	NEEDLE THREADER			
21	412876801	HOLDER, NEEDLE THREADER			
22	412501101	LINK			
23	412504701	LOCKING DEVICE			
24	412501501	BEARING 10/6,35-4			
25	735611840	COMPRESSION RING 2,5			
26	412500801	GEAR SEGMENT			
27	412316901	SPRING			
28	412600101	NEEDLE BAR CPL.			
29	412502701	CALIBRATION STOP			
30	N/S	SEWING HEAD, FRAME CPL.			
31	412281902	SCREW FLANGE M4*14 TT TORX			
32	412500601	BEARING			
33	412504801	LOCKING DEVICE			
34	412600301	THREAD TAKE UP			
35	735615340	COMPRESSION RINGS Ø6			
36	412303001	LINK			
37	735613640	COMPRESSION RINGS Ø4			
38	412503401	PRESSER BAR GUIDE			
39	N/S	SCREW PT 15*12 FZB TORX			
40	N/S	SCREW M4*6			
41	412581703	NEEDLE BAR CPL.			
42	412773801	NEEDLE CLAMP			
43	728521805	SCREW			
44	412732301	SCREW NEEDLE CLAMP			
45	N/S	THREAD GUIDE			
46	412993601	CROSS HEAD CPL.			
47	412211403	SCREW M3*8 TORX			
48	412504101	SPRING PRESSER FOOT			
49	412503101	RACK SEWING HEAD			
50	412285402	PRESSER BAR			
51	412211401	SCREW M3*4 TORX			
52	413052201	CLIPS LOWER FRAME			
53	412409701	SCREW PRESSER SHAFT			
54	412616101	HOLDER PRESSER FOOT			
55	411966803	SCREW PT 30*12 FZB TORX			
56	413025506	LOWER FRAME W. BEARING			

K



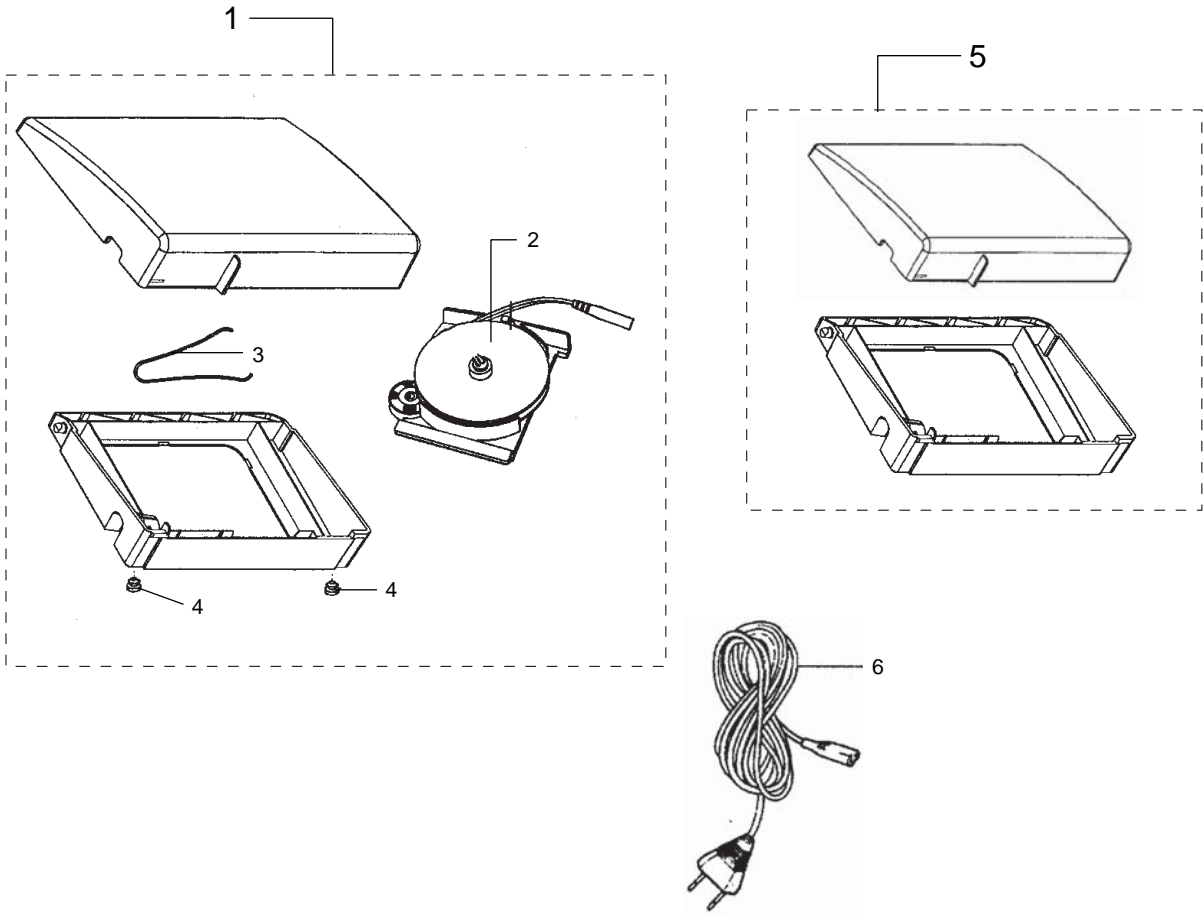
L



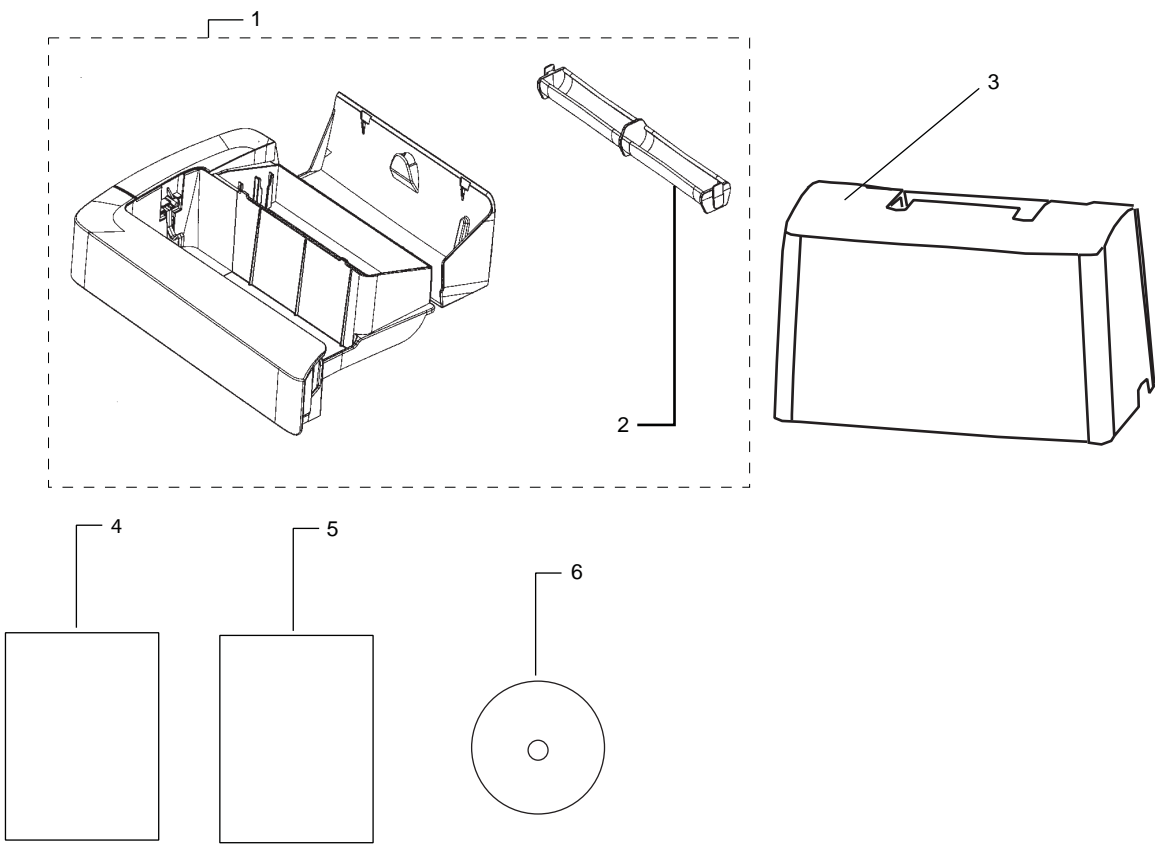
1	412368306	MAIN SHAFT CPL.
2	412558401	ABSORBER
3	412328401	CLAMP
4	412056006	SCREW TAPTITE M4*12 TORX
5	412735701	PULLEY
6	721418770	TUBE PIN
7	728828305	SCREW
8	411968816	SET SCREW POINTED M5*5 TORX
9	411968716	SET SCREW FLAT M5*5 TORX
10	412368401	COG BELT
11	412345401	COG BELT FOR MOTOR 400
12	412300902	HAND WHEEL

1	412742501	THREAD TENSION COVER CPL.	32	411966825	SCREW PT 16*8 FZB TORX	L
2	412521401	SPRING	33	412740602	STEPPER MOTOR	
3	412549701	PIN THREAD GUIDE	34	412920301	THEAD TENSION SET	
4	412549801	WASHER				
5	412558101	GLIDE PLATE				
6	735582300	WASHER				
7	412796001	PRINT BUTTON LEFT				
8	412740003	THREAD TENSION				
9	412546908	CABLE ASSEMBLY (10P)				
10	412787401	KEY BOARD RIGHT				
11	N/S	CAP SPRING HOUSING				
12	412744801	TORSION SPRING				
13	735611340	WASHER				
14	412613101	SPRING THREAD TENSION				
15	N/S	PRESSURE SPRING				
16	412742401	GEAR FIXED				
17	411968703	SET SCREW FLAT M3*3 TORX				
18	412880201	GEAR RESILIENT				
19	412741701	NUT THREAD TENSION				
20	412880301	SPRING GEAR				
21	412880101	GEAR FIXED				
22	N/S	SPACING SLEEVE				
23	412741801	SPRING HOUSING, THREAD TENSION				
24	735611840	COMPRESSION RING 2,5				
25	411966805	SCREW PT 30*20 FZB TORX				
26	412519101	SENSOR, THREAD TENSION				
27	412519401	ADJUSTING SLEEVE				
28	412519202	CHECK SPRING				
29	412519301	THREAD GUIDE				
30	412744601	THREAD GUIDE				
31	N/S	SLEEVE, STEPPING				

M



N



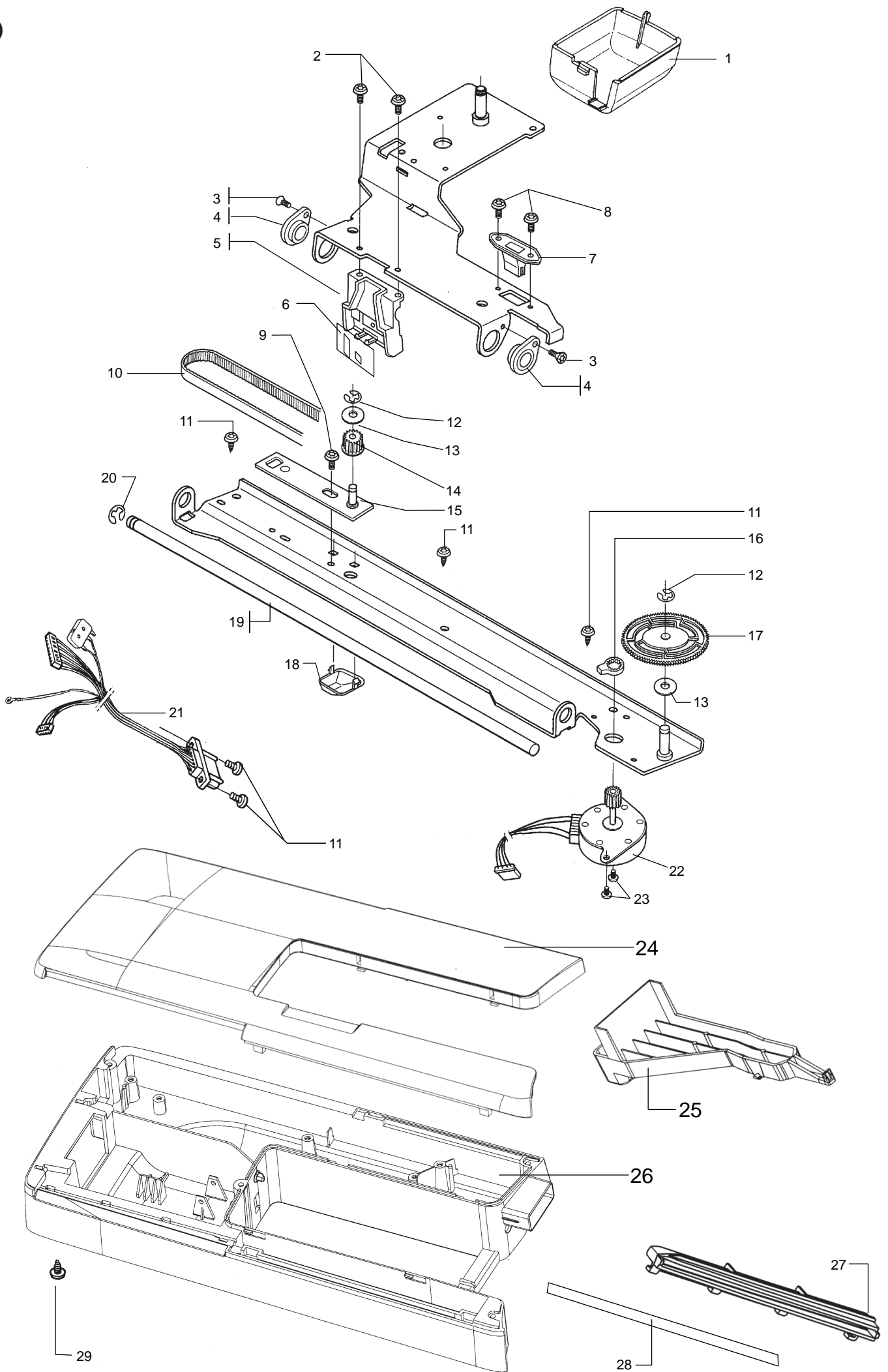
M

1	412492501	FOOT CONTROL CPL W. CORD REEL
2	412493001	CONTROL UNIT WITH WINDER
3	412159801	SPRING
4	412184501	FOOT
5	412746101	FOOT CONTROL, TOP AND BOTTOM
6	412157801	NET CABLE 220V
	412157902	NET CABLE 120V JP
	412157903	NET CABLE 120V
	412158002	NET CABLE GB
	412158101	NET CABLE AU

N

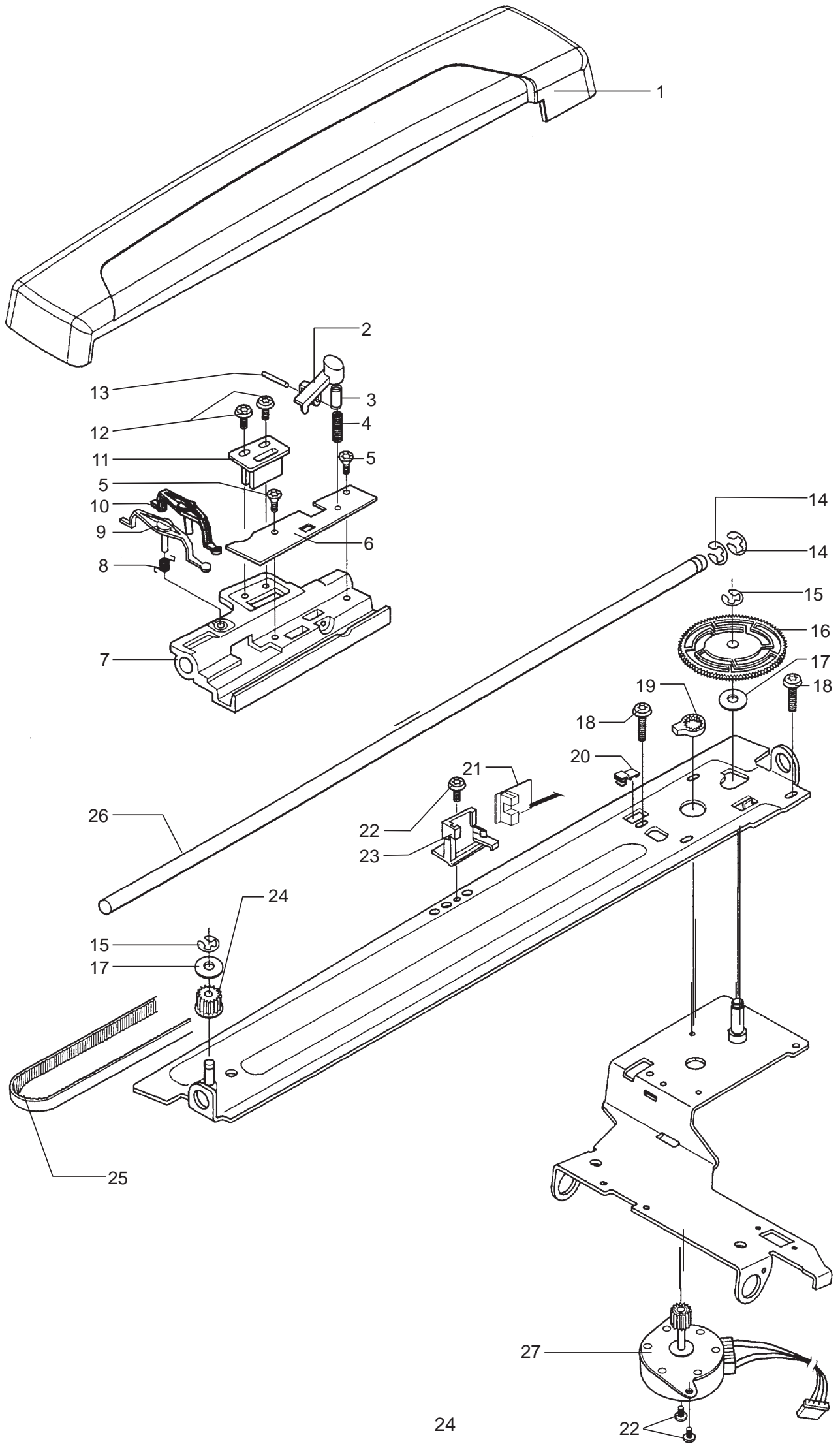
1	412737101	ACCESSORY BOX CPL.		
2	412737401	BOBBIN HOLDER		
3	412774701	COVER CPL.	412822251	INSTRUCTION MANUAL SEWING GER
4	412776404	PLASTIC BAG W. ACCESSORIES	N/S	INSTRUCTION MANUAL SEWING RUS
5	412937726	QUICK REFERENCE CARD ENG	N/S	INSTRUCTION MANUAL SEWING POR
6	412843096	INSTRUCTION CD		
7	412932001	USERS GUIDE SWE		
	413012306	USERS GUIDE DEN		
	413143010	USERS GUIDE JAP		
	N/S	USERS GUIDE FIN		
	412932021	USERS GUIDE NOR		
	413012326	USERS GUIDE ENG		
	413012331	USERS GUIDE FRA		
	N/S	USERS GUIDE DUTCH		
	413012341	USERS GUIDE ITA		
	413012346	USERS GUIDE SPA		
	413012351	USERS GUIDE GER		
	N/S	USERS GUIDE RUS		
	N/S	USERS GUIDE POR		
8	412822201	INSTRUCTION MANUAL SEWING SWE		
	412822206	INSTRUCTION MANUAL SEWING DEN		
	412822210	INSTRUCTION MANUAL SEWING JAP		
	413143111	INSTRUCTION MANUAL SEWING FIN		
	413143121	INSTRUCTION MANUAL SEWING NOR		
	413143126	INSTRUCTION MANUAL SEWING ENG		
	412822231	INSTRUCTION MANUAL SEWING FRA		
	412822236	INSTRUCTION MANUAL SEWING DUTCH		
	412822241	INSTRUCTION MANUAL SEWING ITA		
	412822246	INSTRUCTION MANUAL SEWING SPA		

O



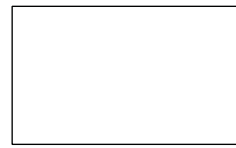
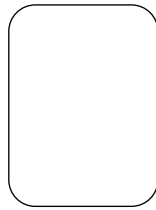
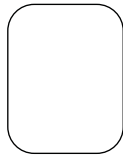
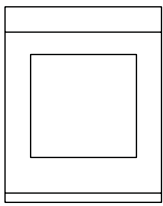
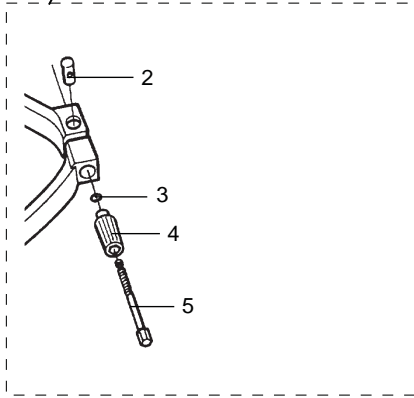
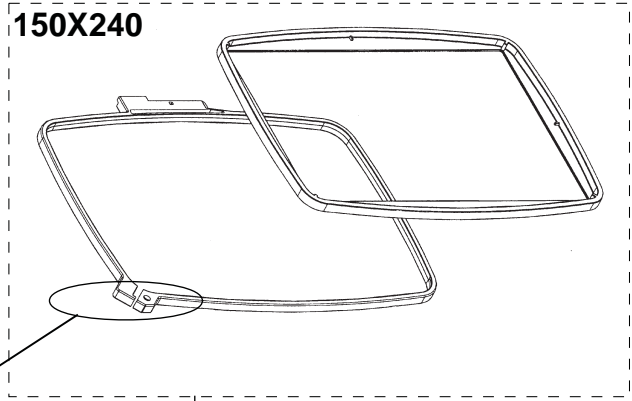
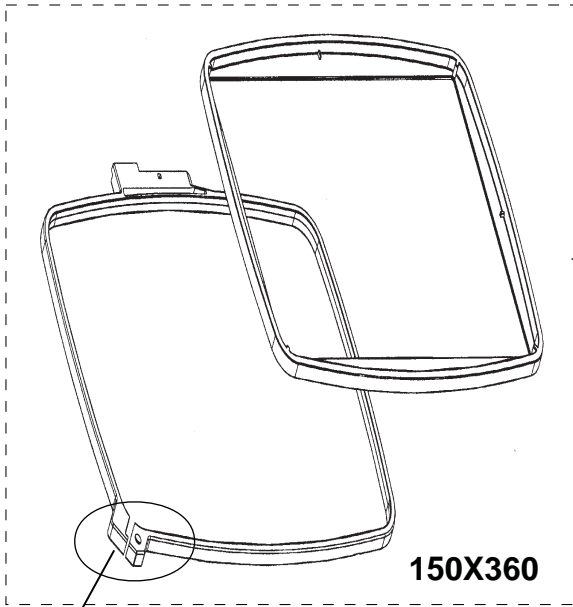
1	412720401	MOTOR COVER
2	411966801	SCREW PT 30*7,5 FZB TORX
3	411967204	SCREW M3*6
4	412629001	BEARING EMBR.UNIT
5	N/S	CARD HOLDER
6	412558501	CONNECTOR BOARD XY
7	412524801	HOLDER, XCOG BELT
8	412056004	SCREW TAPTITE M3*6 TORX
9	412056012	SCREW TAPTITE M4*6 TORX
10	412525501	COG BELT, XUNIT
11	411966808	SCREW PT 40*14 FZB TORX
12	735310820	LOCK WASHER 4
13	412384301	WASHER 6/13*0,6
14	412384202	COG WHEEL
15	412524901	PLATE, BELT TENSION CPL.
16	412546401	CALIBRATION LEVER
17	412524601	GEAR WHEEL
18	412563901	COVER, X-UNIT
19	412628801	SHAFT
20	735311020	C WASHER
21	412524201	CABLE FLEXIBLE
22	412561801	STEP MOTOR X-UNIT
23	412056011	SCREW TAPTITE M3*5 TORX
24	412771501	COVER TOP XY
25	412783901	LATCH
26	412771601	COVER BOTTOM XY
27	412528501	GUIDE RAIL
28	412529701	FRICITION TAPE
29	411966807	SCREW PT 40*10 FZB TORX

P



1	412527901	COVER, Y-UNIT
2	412526503	BUTTON
3	412590003	SLEEVE
4	412526601	SPRING
5	411967306	SCREW PT FS 25*6 OXSV TORX
6	412619202	PLATE, Y-UNIT
7	412526403	FRAME, YUNIT
8	412555701	SPRING
9	412525402	SENSOR EMBROIDERY FRAME
10	412749801	SENSOR EMBROIDERY FRAME
11	412525301	HOLDER BELT
12	411966801	SCREW PT 30*7,5 FZB TORX
13	412316049	INA PIN NRB 2*7,8 0-6UM
14	735311020	C-WASHER
15	735310820	LOCK WASHER 4
16	412524601	GEAR WHEEL
17	412384301	WASHER 6/13*0,6
18	412056012	SCREW TAPTITE M4*6 TORX
19	412546401	CALIBRATION LEVER
20	412558301	CABLE HOLDER
21	412526101	HOOP SENSOR BOARD
22	412056011	SCREW TAPTITE M3*5 TORX
23	412546501	HOLDER
24	412384202	COG WHEEL
25	412526701	COG BELT, Y-UNIT
26	412628901	SHAFT
27	412524001	STEP MOTOR CPL.

Q

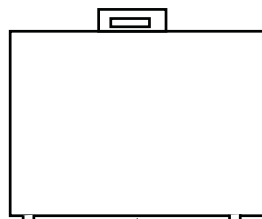
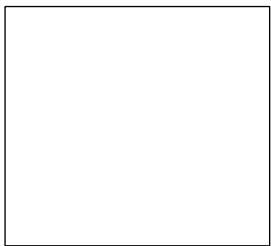


7

8

9

10



11

12

13

14

15

1	412625502	MEGA HOOP 150*360
2	412399001	NUT, EMBROIDERY FRAME
3	411981401	WASHER 6*3 2*0,5
4	412446901	GRIP SCREW EMBROIDERY FRAME
5	412446801	SCREW, EMBROIDERY FRAME
6	412527102	EMBROIDERY HOOP CPL. 150X240
7	N/S	EMBROIDERY COLLECTION
8	412537401	EMBROIDERY TEMPLATE 100X100
9	412674001	EMBROIDERY TEMPLATE 150X240
10	412565801	ZIPPER BAG
11	412565401	SEWING KIT EMBROIDERY, DESIGN
12	412517804	EMBROIDERY BOX CPL.
13	412651801	SET OF CLIPS CPL. (10X)
14	413095703	USB MEMORY 256MB
15	412693401	STYLUS, BLACK
	412693402	STYLUS, SILVER