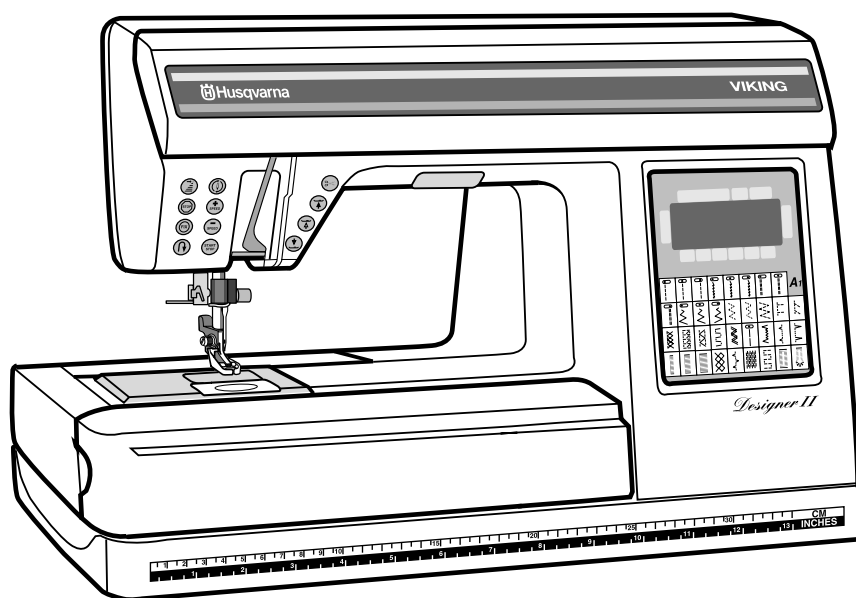


 **Husqvarna**

**VIKING**

# Parts List



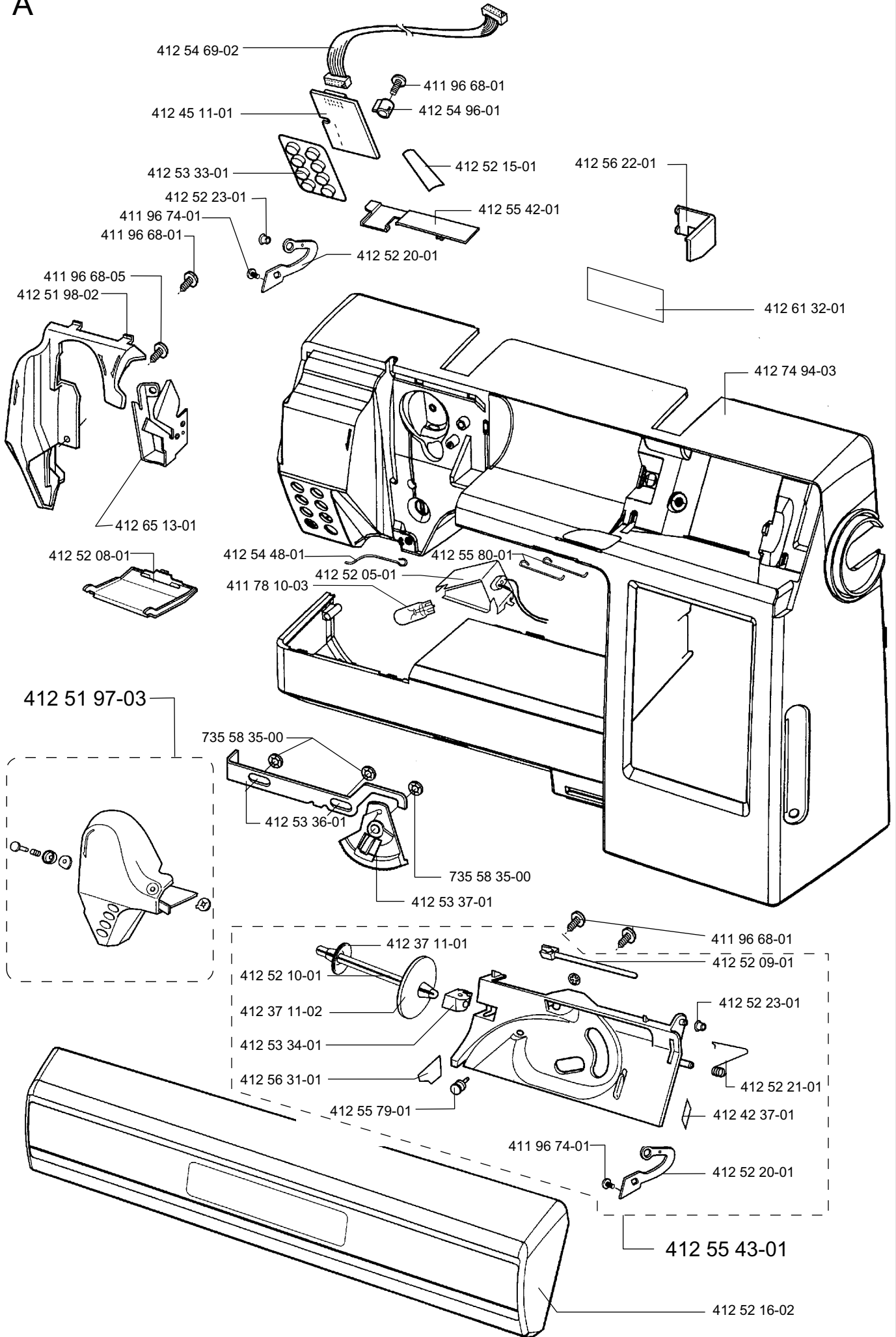
# Designer II Exclusive Sensor System

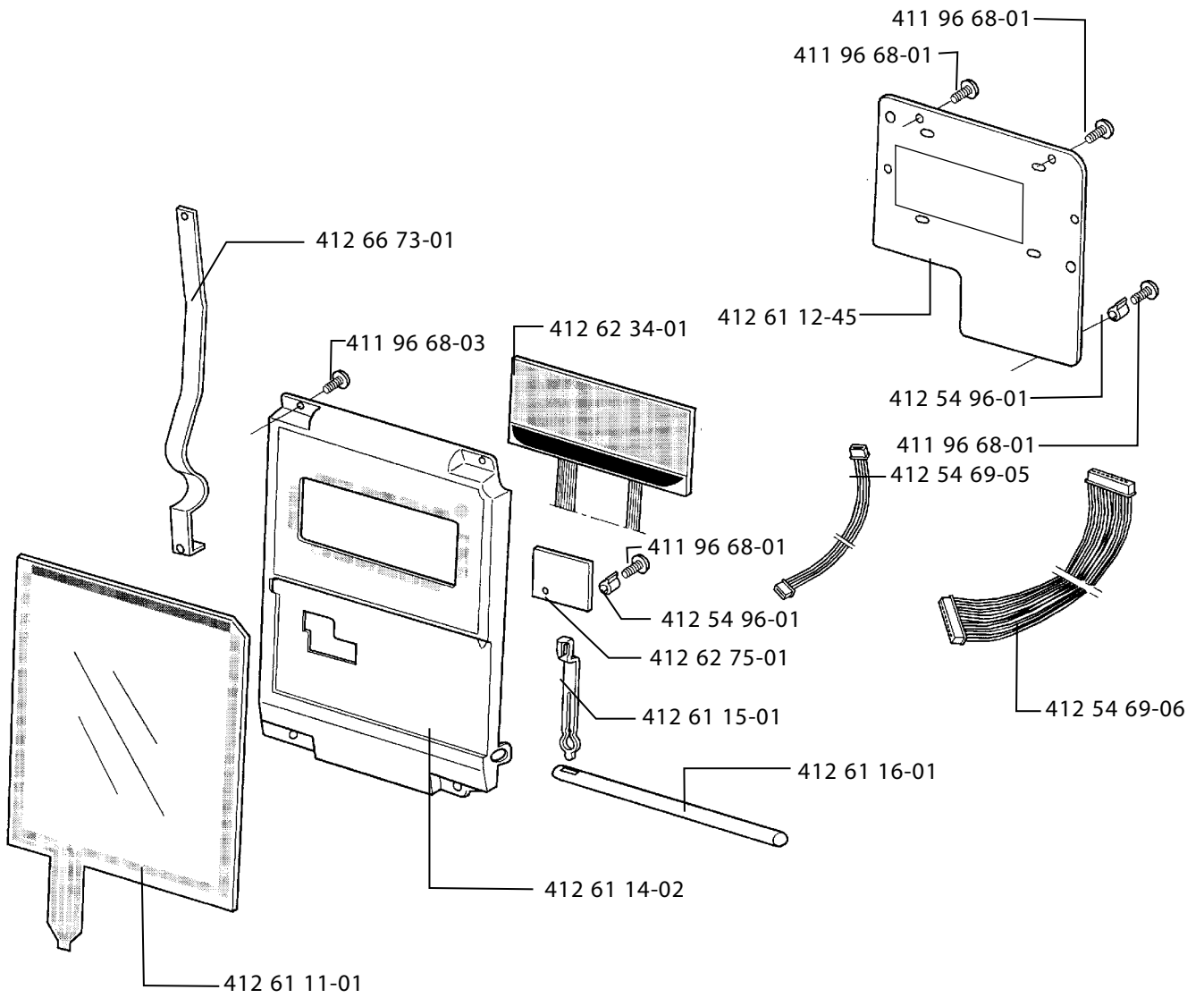
©2003 VSM GROUP AB -All rights reserved.

Part No	Description	Page	Part No	Description	Page
411 72 10-01	Washer	G	412 46 45-01	Screw	E
411 75 00-08	Needle bar	K	412 47 16-01	Thread tension	E
411 75 03-02	Screw	K	412 49 25-01	Foot control compl.	N
411 75 04-01	Screw	K	412 49 30-01	Control unit with winder	N
411 78 10-03	Lamp	A, K	412 49 49-01	Distance	C
411 96 68-01	Screw	A, D, K,	412 50 01-01	Sewing head, frame compl	K
411 96 68-03	Screw	A, B, K	412 50 06-01	Bearing	K
411 96 68-04	Screw	K	412 50 08-01	Gear segment	K
411 96 68-05	Screw	A, M	412 50 09-01	Spring	K
411 96 68-10	Screw	B, F	412 50 10-01	Spring	K
411 96 68-12	Screw	C	412 50 11-01	Link	K
411 96 68-21	Screw	K	412 50 15-01	Bearing	K
411 96 68-25	Screw	K	412 50 19-01	Back holder, needle threader	K
411 96 68-26	Screw	K	412 50 20-01	Front holder, needle threader	K
411 96 71-07	Screw	C	412 50 21-01	Needle threader	K
411 96 74-01	Screw	A	412 50 22-01	Setting plate	K
411 96 75-01	Washer	M	412 50 23-02	Eccentric needle adjust.	K
412 00 13-01	Washer	E	412 50 24-01	Cross head compl.	K
412 05 60-01	Screw	C	412 50 27-01	Calibration stop	K
412 05 60-04	Screw	A, F, H,	412 50 31-01	Rack compl.	K
412 05 60-06	Screw	B, C, F, H, I, L	412 50 34-01	Pressar bar lifter	K
412 05 60-10	Screw	C, F	412 50 41-01	Spring	K
412 05 60-11	Screw	G	412 50 42-01	Connecting Board, sewing head	K
412 15 27-01	Cog wheel	F	412 50 43-01	Lamp holder compl.	K
412 15 78-01	Cord device 220 V	N	412 50 46-01	Wedge	K
412 15 79-02	Cord device Japan	N	412 50 47-01	Clamp ring	K
412 15 79-03	Cord device 120 V	N	412 50 48-01	Clamp ring	K
412 15 81-01	Cord device Australia	N	412 50 52-01	Plate	K
412 15 98-01	Spring	N	412 50 55-01	Frame, lower	K
412 18 45-01	Foot	N	412 50 56-01	Step motor	K
412 19 53-01	Washer	F	412 50 60-01	Side feeding unit	F
412 21 14-03	Screw	K	412 50 63-01	Draw bar	F
412 21 14-04	Screw	K	412 50 64-01	Cog segment	F
412 21 14-06	Screw	K	412 50 65-01	Clamp	F
412 21 14-14	Screw	C	412 50 66-01	Draw bar	F
412 21 14-20	Screw	G	412 50 72-01	Spring	H
412 22 98-01	Nut	H	412 50 73-01	Eccentric	F
412 28 19-02	Screw	G, K	412 50 87-01	Spring	D
412 28 54-02	Presser bar	K	412 50 88-01	Damper	D
412 28 79-01	Screw	D	412 50 89-01	Thread cutter gearbox	D
412 30 06-01	Driver	L	412 50 97-01	Slide	D
412 30 07-01	Spring	L	412 51 01-01	Thread hook	D
412 30 08-01	Pully	L	412 51 05-01	Cover, thread cutter	D
412 30 09-02	Handwheel	L	412 51 28-01	Step motor compl.	D
412 30 30-01	Guide arm	K	412 51 31-01	Cable, thread sensor compl	D
412 30 50-01	Foot	C	412 51 33-01	Bobbin holder	D
412 30 55-01	Rubber ring	B	412 51 34-01	Bobbin hatch	D
412 30 66-01	Shaft	E	412 51 36-01	Feed unit	G
412 31 69-01	Spring	K	412 51 37-01	Guide compl. With carriger	G
412 31 79-01	Clutch	L	412 51 43-01	Block, guide	G
412 31 81-01	Clamp	I	412 51 44-01	Feed carrige	G
412 31 84-01	Bushing, feed dog	G	412 51 49-01	Spring	G
412 32 27-04	Bobbin winding unit	B	412 51 50-01	Feed dog compl.	G
412 32 33-02	Sealing washer	B	412 51 51-01	Feed dog	G
412 32 34-08	Step motor compl. Z-Z	K	412 51 53-01	Spring	G
412 32 34-09	Step motor compl. Feeding	K	412 51 54-01	Lever, Feed lift	G
412 32 84-01	Clamp	I, L	412 51 55-01	Spring	G
412 33 62-01	Cog wheel	K	412 51 56-01	Stop ring	G
412 33 75-01	Spring	F	412 51 63-01	Worm gear	I
412 33 93-01	Attachment, motor	C	412 51 64-01	Holder, stopright card	C
412 33 94-01	Muffler, motor	C	412 51 68-01	Lower shaft	I
412 33 97-02	Motor	C	412 51 69-01	Eccentric feed	I
412 34 26-01	Spring	B	412 51 70-01	Distance	I
412 34 50-01	Eccentric	B	412 51 76-01	Accessory box	O
412 34 51-01	Adjusting arm	B	412 51 89-01	Nut	M
412 34 54-01	Cog belt, motor	L	412 51 90-01	Housing, Thread tension	M
412 34 60-01	Stop ring	I	412 51 91-01	Sensor	M
412 34 81-01	Spring	H	412 51 92-01	Spring	M
412 34 82-01	Screw	H	412 51 94-01	Adjusting sleeve	M
412 34 85-01	Joint cross	H	412 51 95-01	Push buttons	M
412 34 88-01	Fastner	H	412 51 97-03	Cover, thread tension cpl.	A, M
412 34 96-01	Cablage, motor	C	412 51 98-02	Thread guide	A
412 34 97-02	Cablage for PC Board	C	412 52 05-01	Lamp comp.	A
412 35 26-01	Washer	I	412 52 08-01	Lamp guard	A
412 35 33-02	Driving wheel compl.	C	412 52 09-01	Thread holder	A
412 35 42-01	Pully	I	412 52 10-01	Reel pin	A
412 35 62-01	Pin	B	412 52 14-01	Spring	M
412 36 83-03	Arm shaft compl.	L	412 52 15-01	Heat protector	A
412 36 84-01	Cog belt	L	412 52 16-02	Lid cover ( ESS )	A
412 36 87-01	Pin	L	412 52 20-01	Hinge	A
412 37 11-01	Thread real disc (small)	A	412 52 21-01	Spring	A
412 37 11-02	Thread real disc (big)	A	412 52 23-01	Bushing	A
412 37 82-01	Nut	G	412 52 25-02	Back cover, upper ( ESS )	B
412 39 09-27	Plastic bag with acc. Replaces 412 39 09-15	O	412 52 26-01	Replaces 412 52 25-01	B
412 39 47-01	Washer, hook	E	412 52 28-01	Handle	B
412 40 97-01	Screw	K	412 52 28-01	Back cover, free arm	B
412 42 37-01	Knife	A, B, D	412 52 30-01	Cover plate, embroidery	B
412 44 40-02	Hook	E	412 52 33-01	Base plate, cover	C
412 44 44-01	Gear	E	412 52 34-01	Base plate	C
412 44 87-01	Spring, bobbin winding	B	412 52 92-01	Cover	O
412 45 11-01	Circuit board, push buttons left	A	412 53 03-01	Screen	I
412 45 23-01	Knife, compl	B	412 53 30-01	Stitch plate	D
412 45 24-01	Knife holder	B	412 53 33-01	Push buttons	A
412 45 38-01	Circuit bord, push buttons right	M	412 53 34-01	Guide, real pin	A

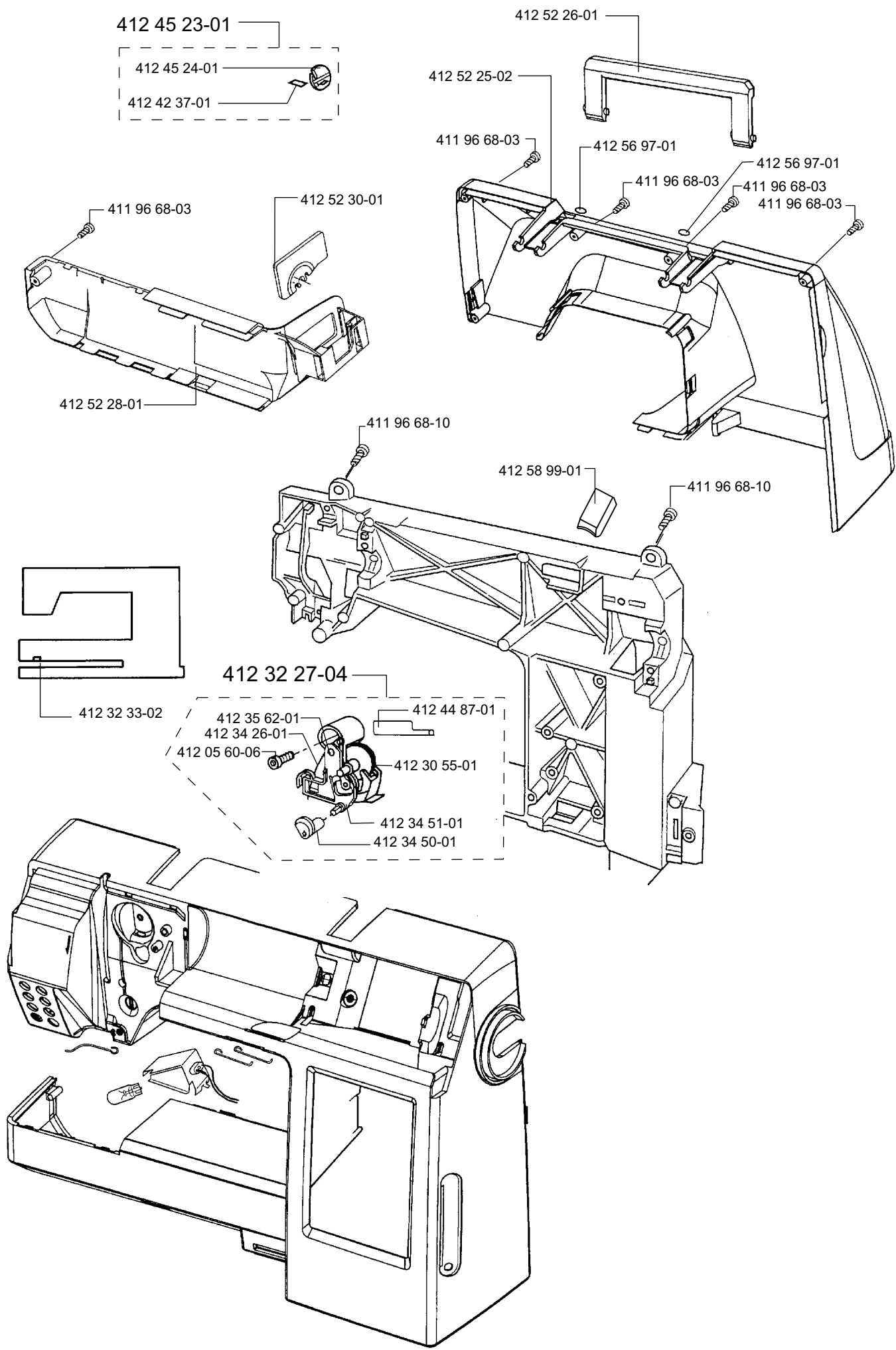


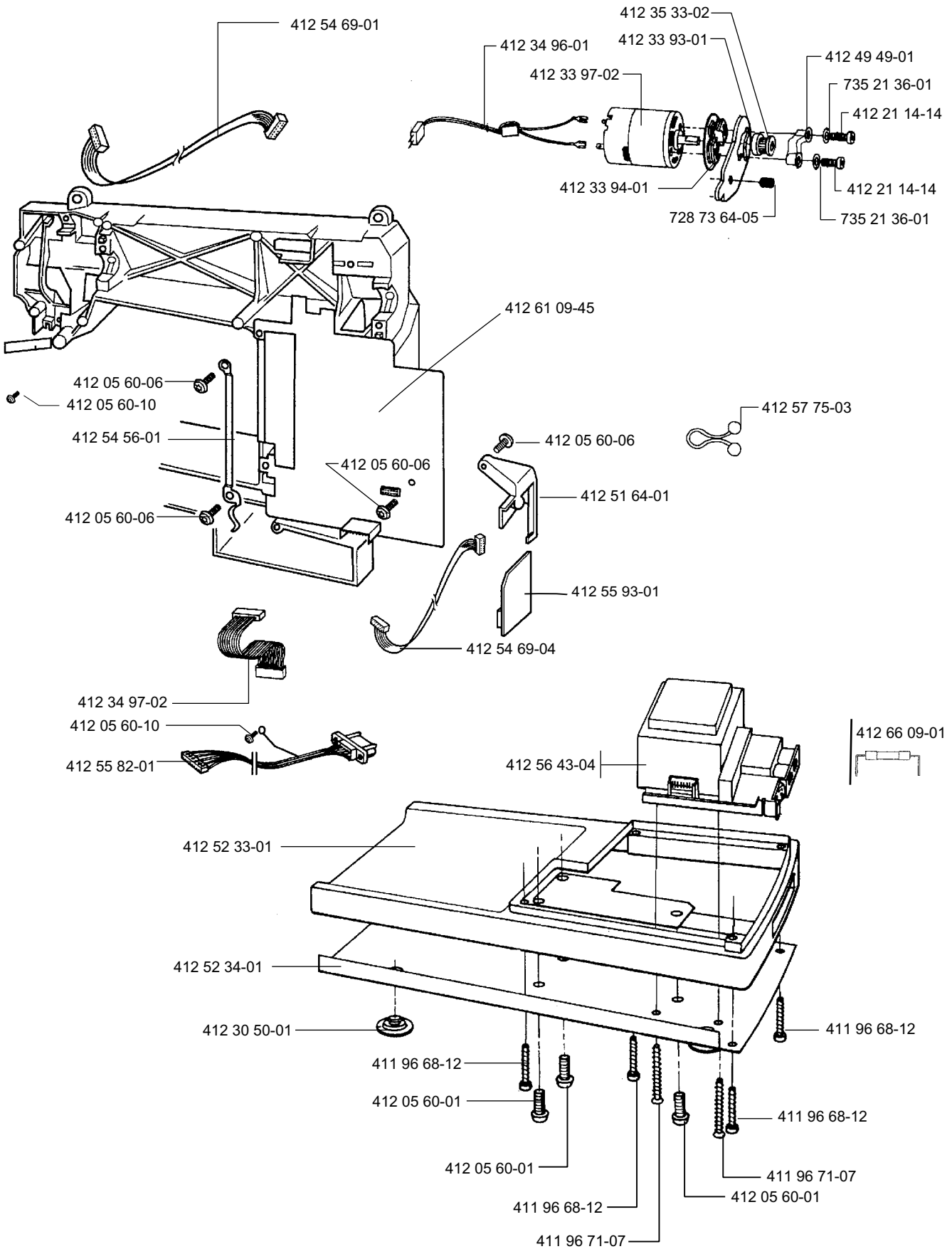
A



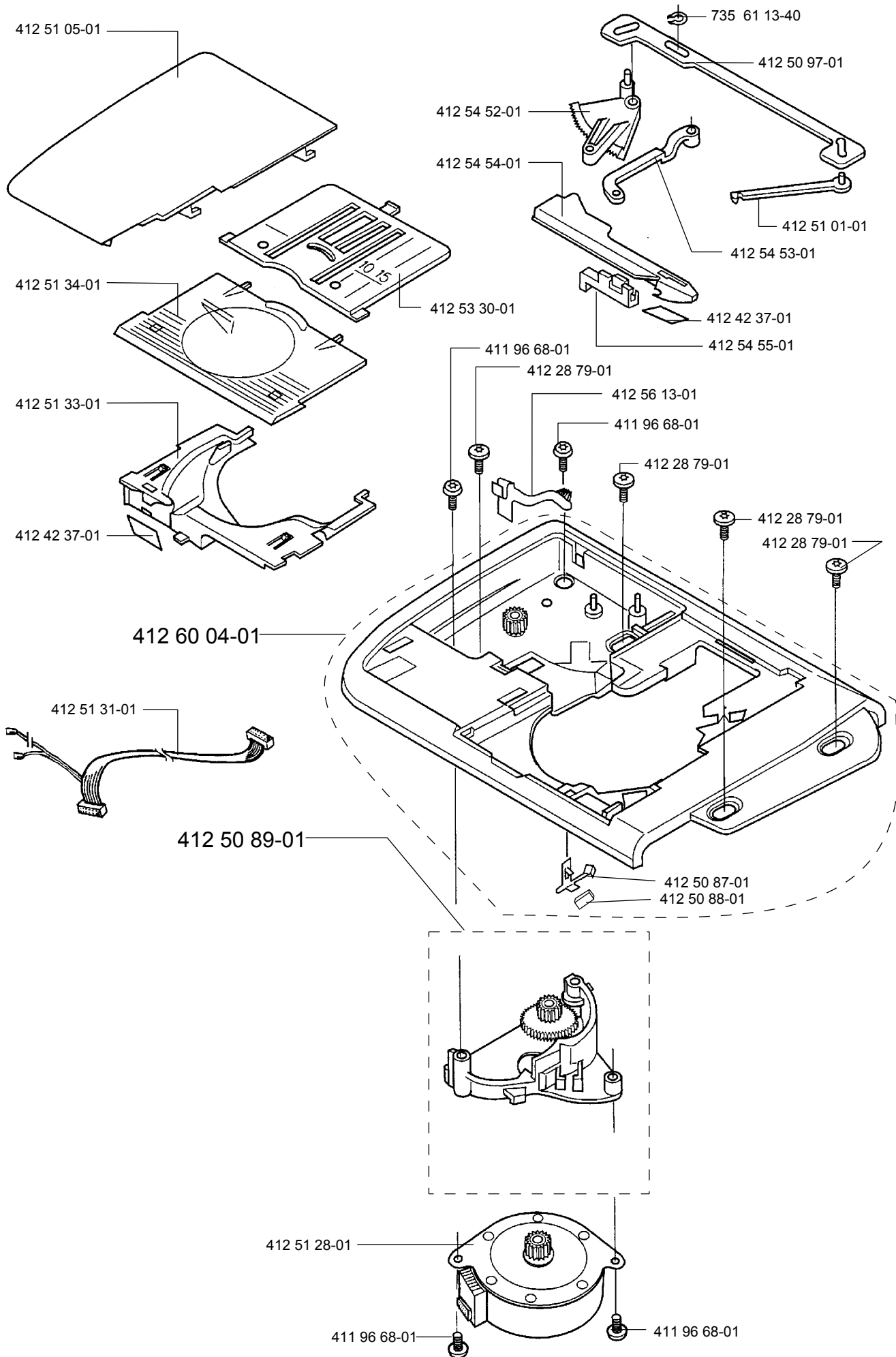


**B**

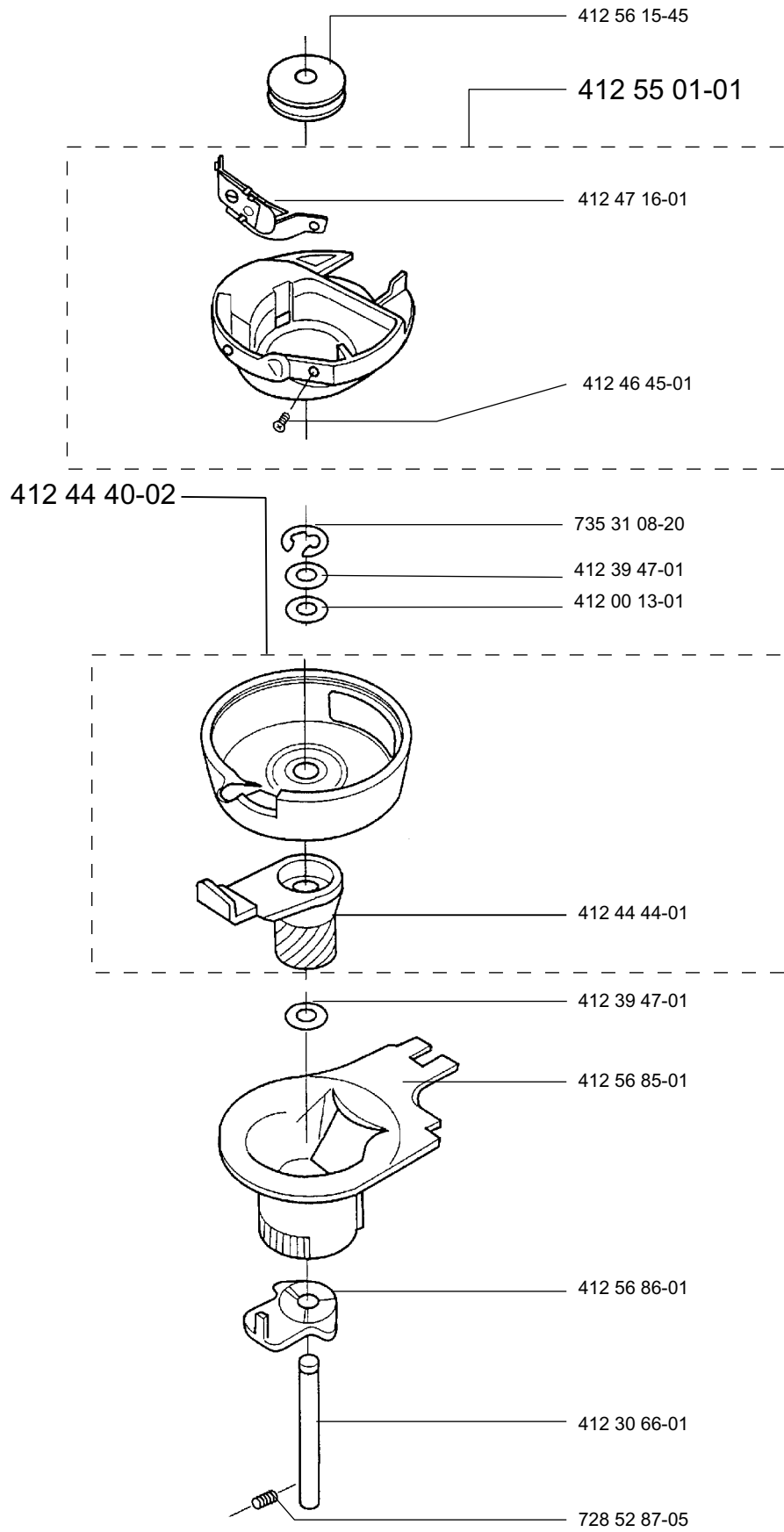




D

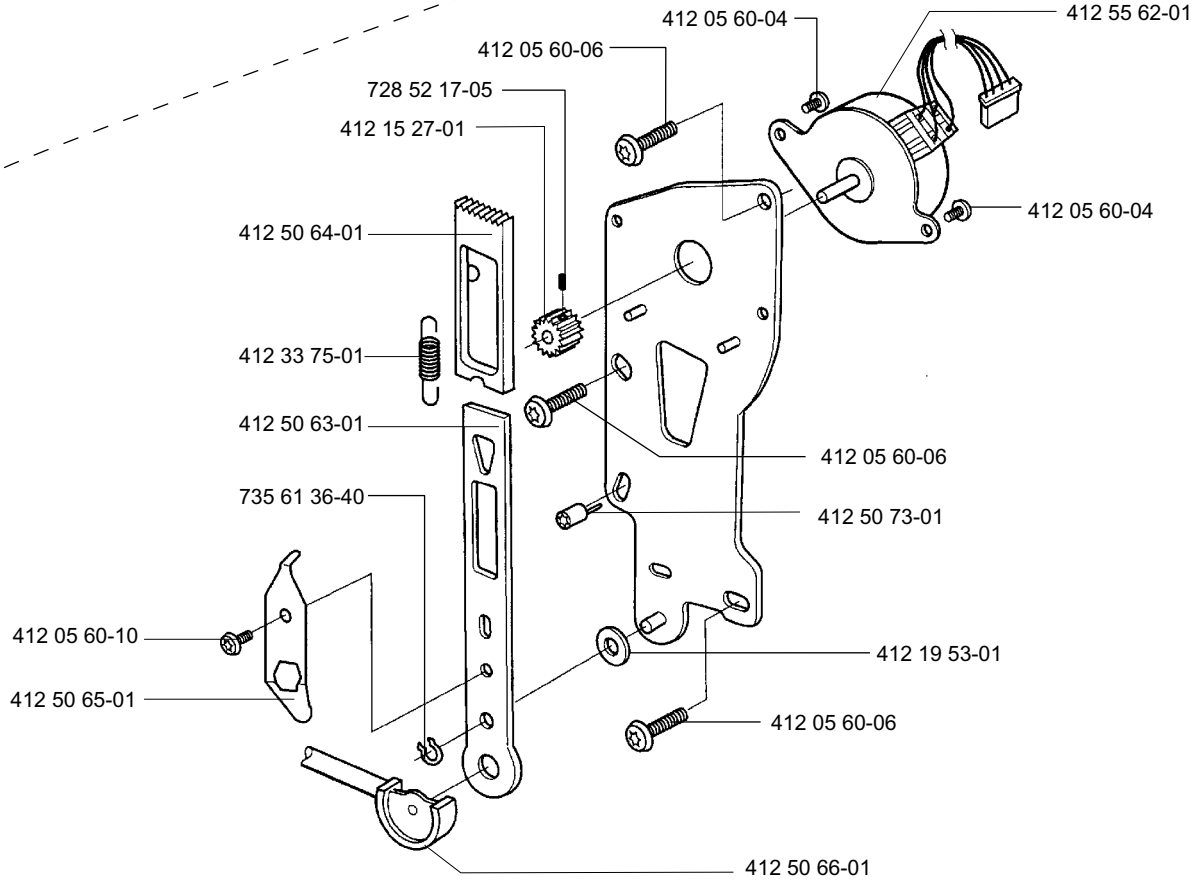




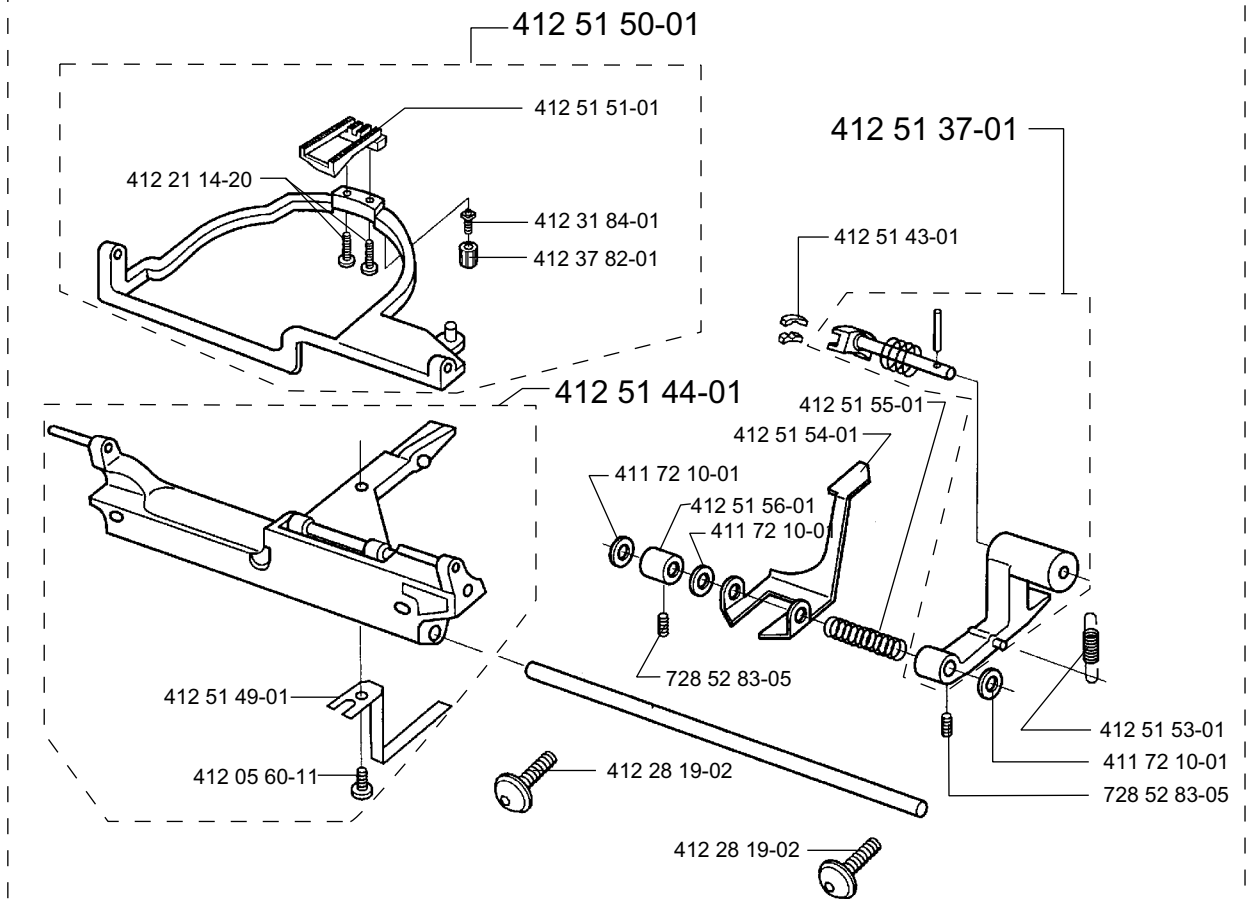


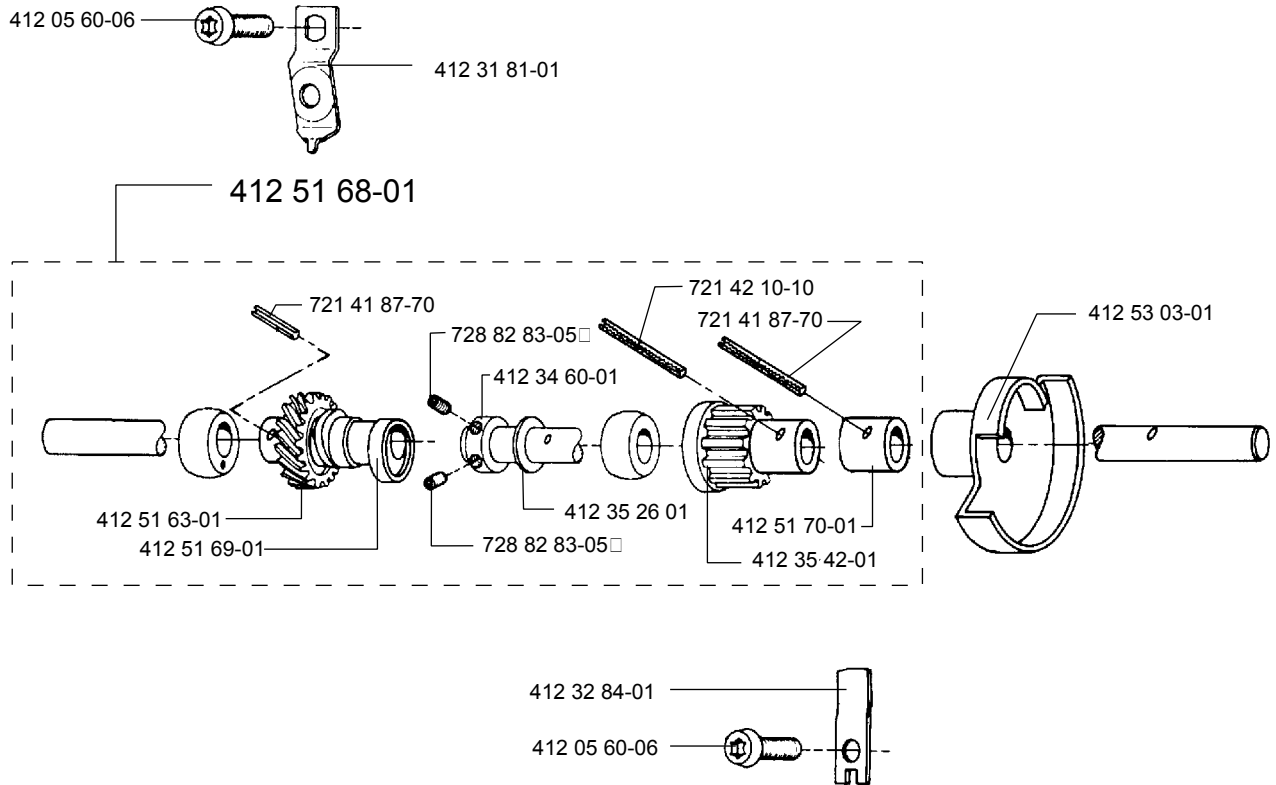
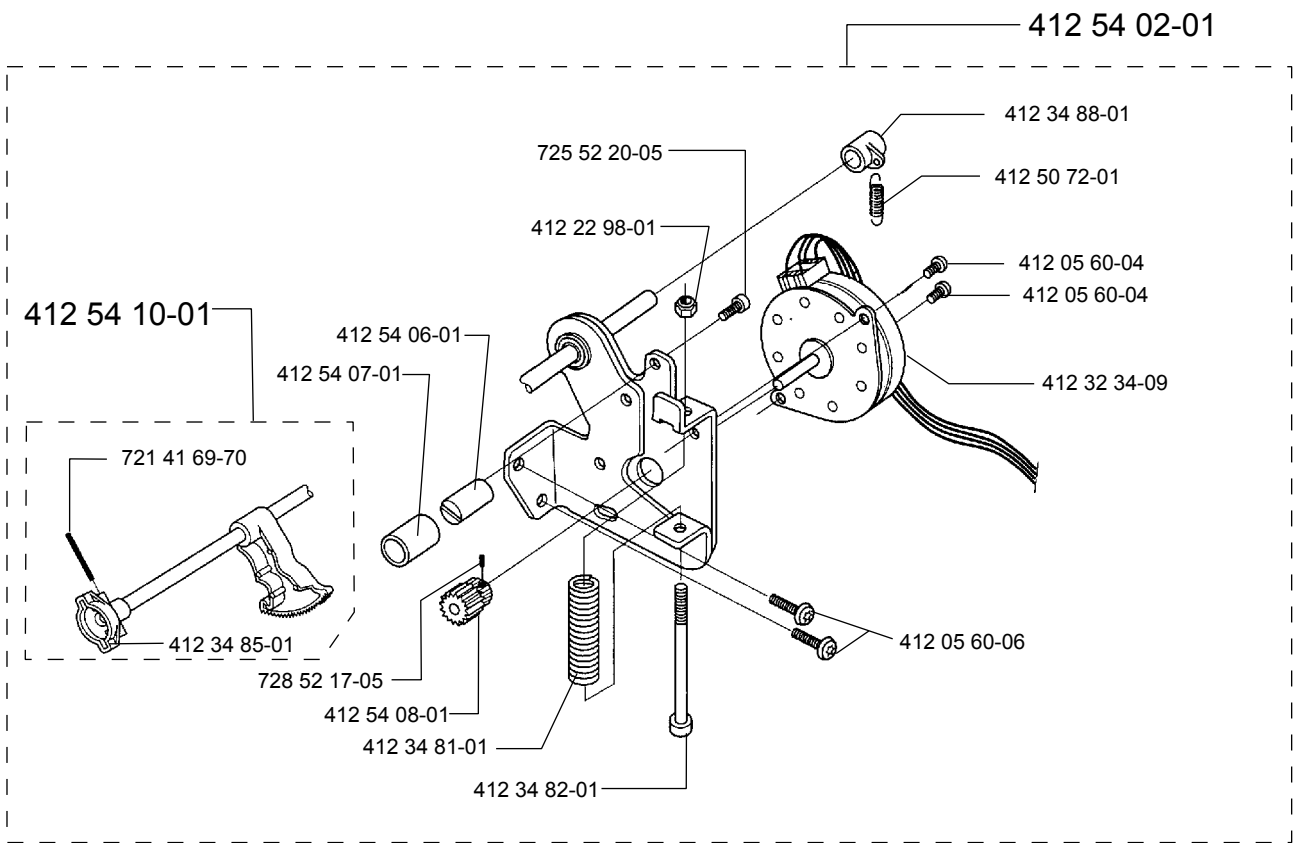
**F**

412 50 60-01

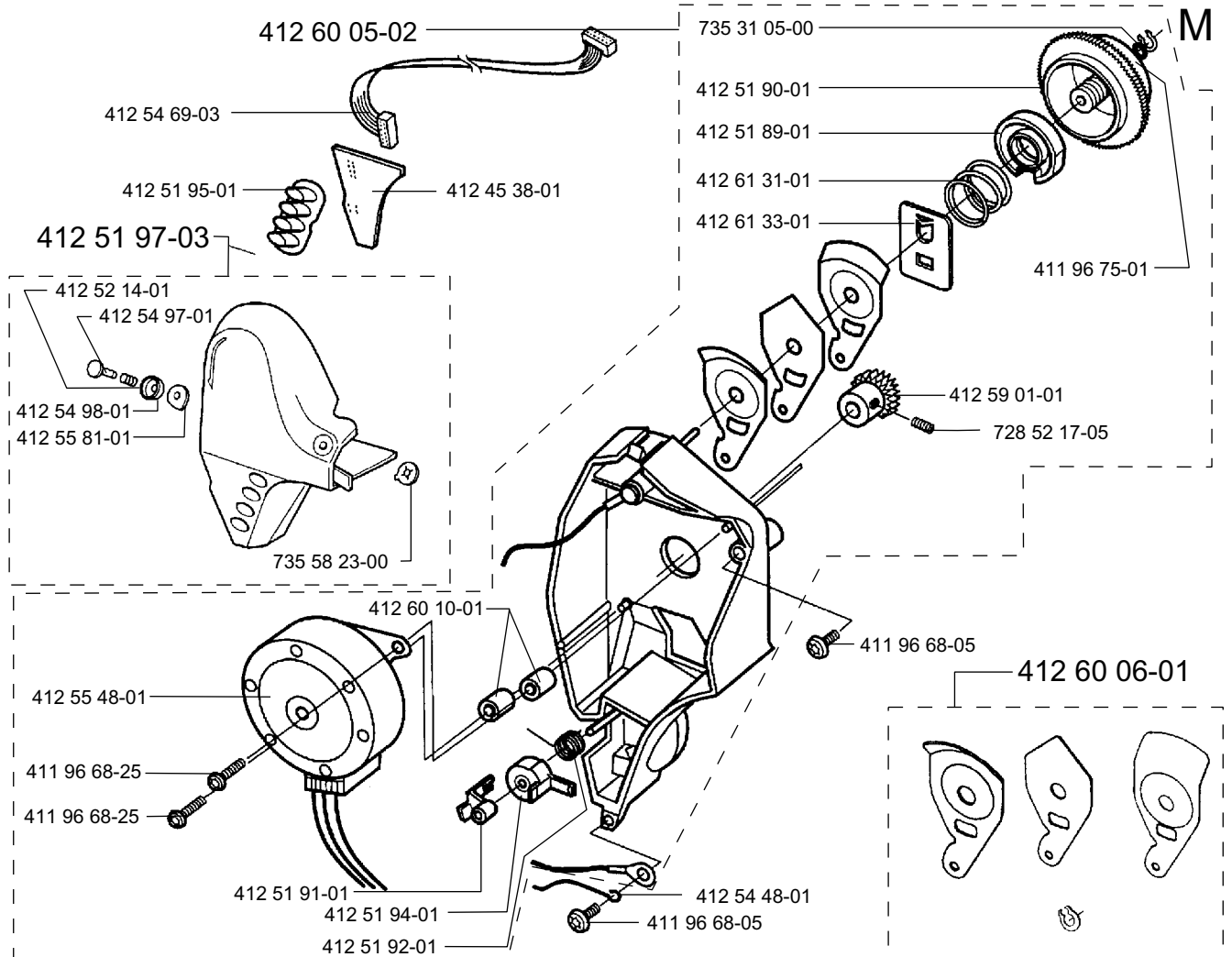
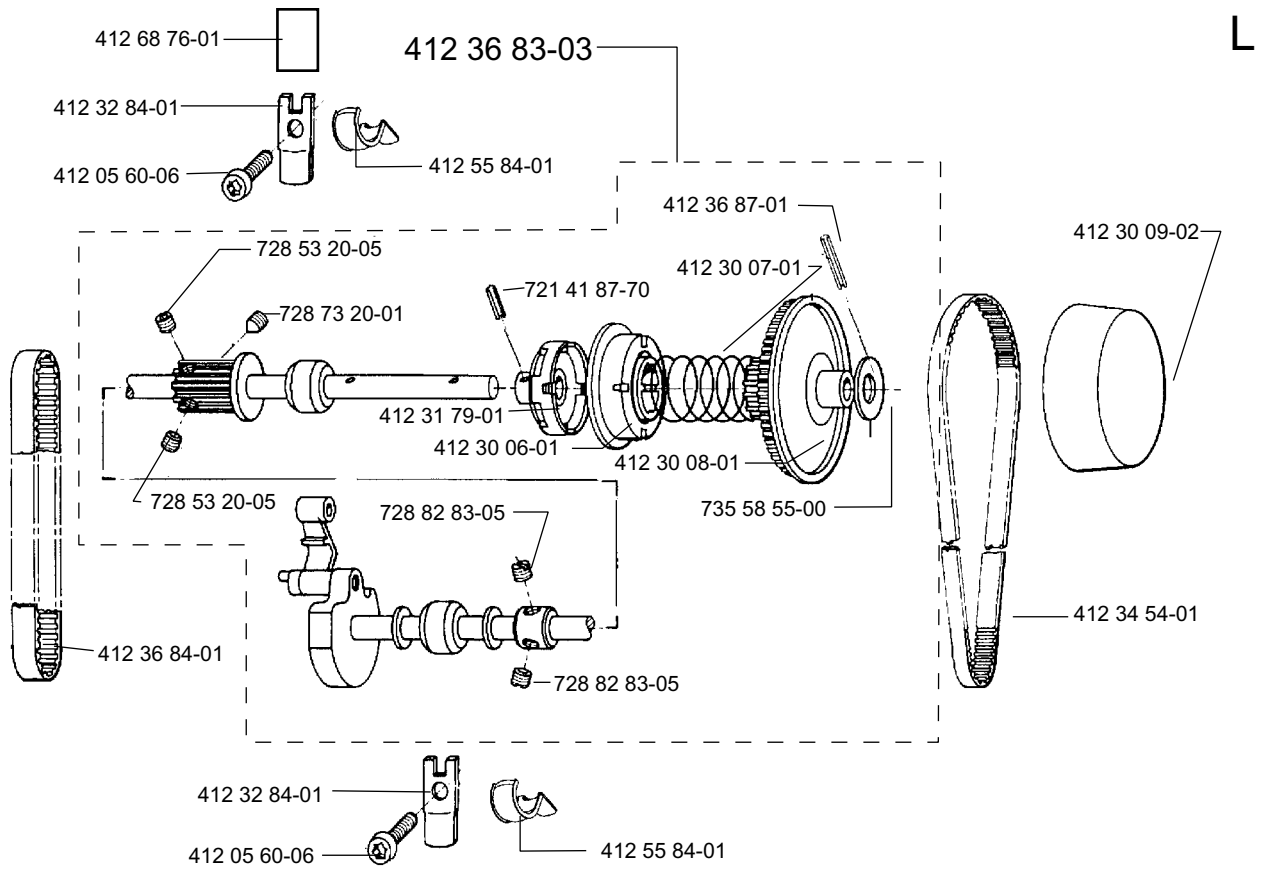
**G**

412 51 36-01



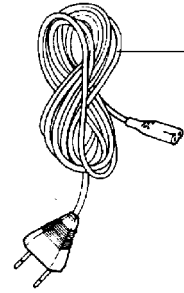
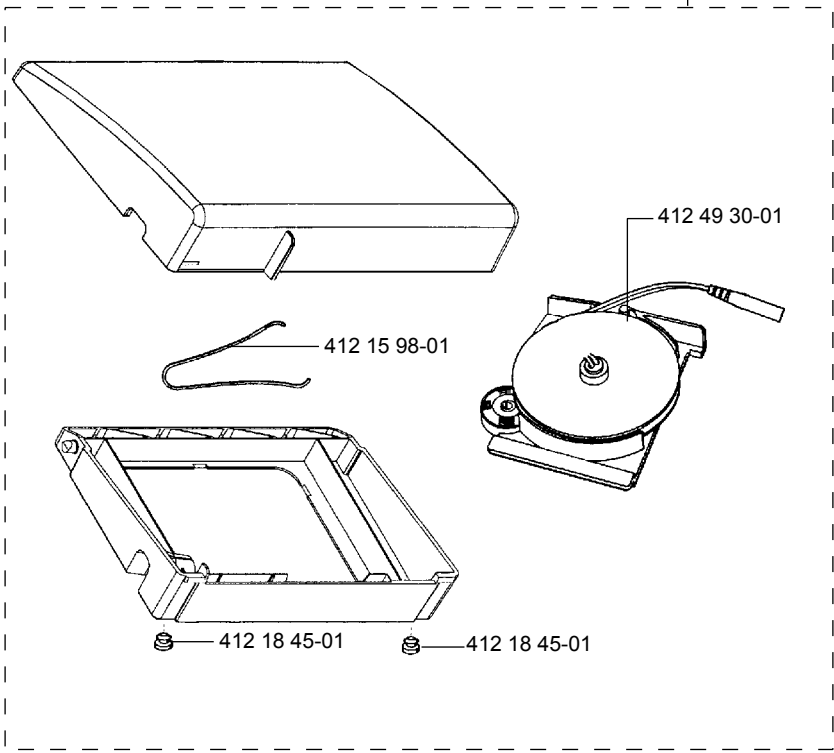






N

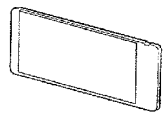
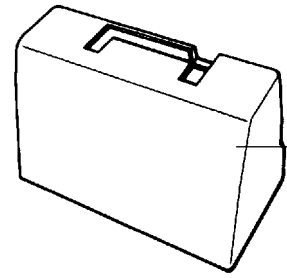
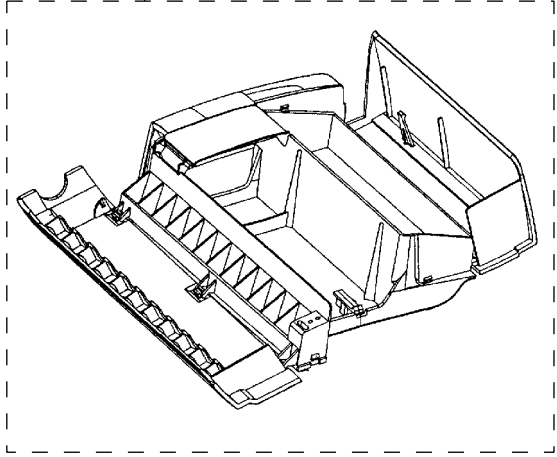
412 49 25-01



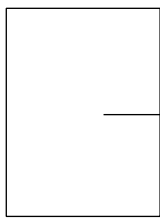
- 412 15 78-01 220 V
- 412 15 79-02 Japan
- 412 15 79-03 120 V
- 412 15 81-01 Australia
- 412 60 89-01 Korea

O

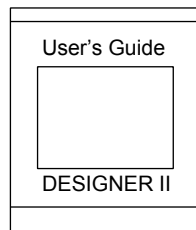
412 51 76-01



412 52 92-01



412 39 09-27  
Bruch, bobbins,  
Presserfeet etc



- 412 73 95-14 D-card A utility compl.
- 412 73 95-15 D-card N Fashion compl.
- 412 73 95-16 D-card Blockalphabet
- 412 73 95-17 D-card Service

- 412 73 88-01 Users Guide Swe
- 412 73 88-06 Users Guide Den
- 412 73 88-10 Users Guide Jap
- 412 73 88-11 Users Guide Fin
- 412 73 88-21 Users Guide Nor
- 412 73 88-26 Users Guide Eng
- 412 73 88-31 Users Guide Fra
- 412 73 88-36 Users Guide Dutch
- 412 73 88-41 Users Guide Ita
- 412 73 88-46 Users Guide Spa
- 412 73 88-51 Users Guide Ger
- 412 73 88-56 Users Guide Rus