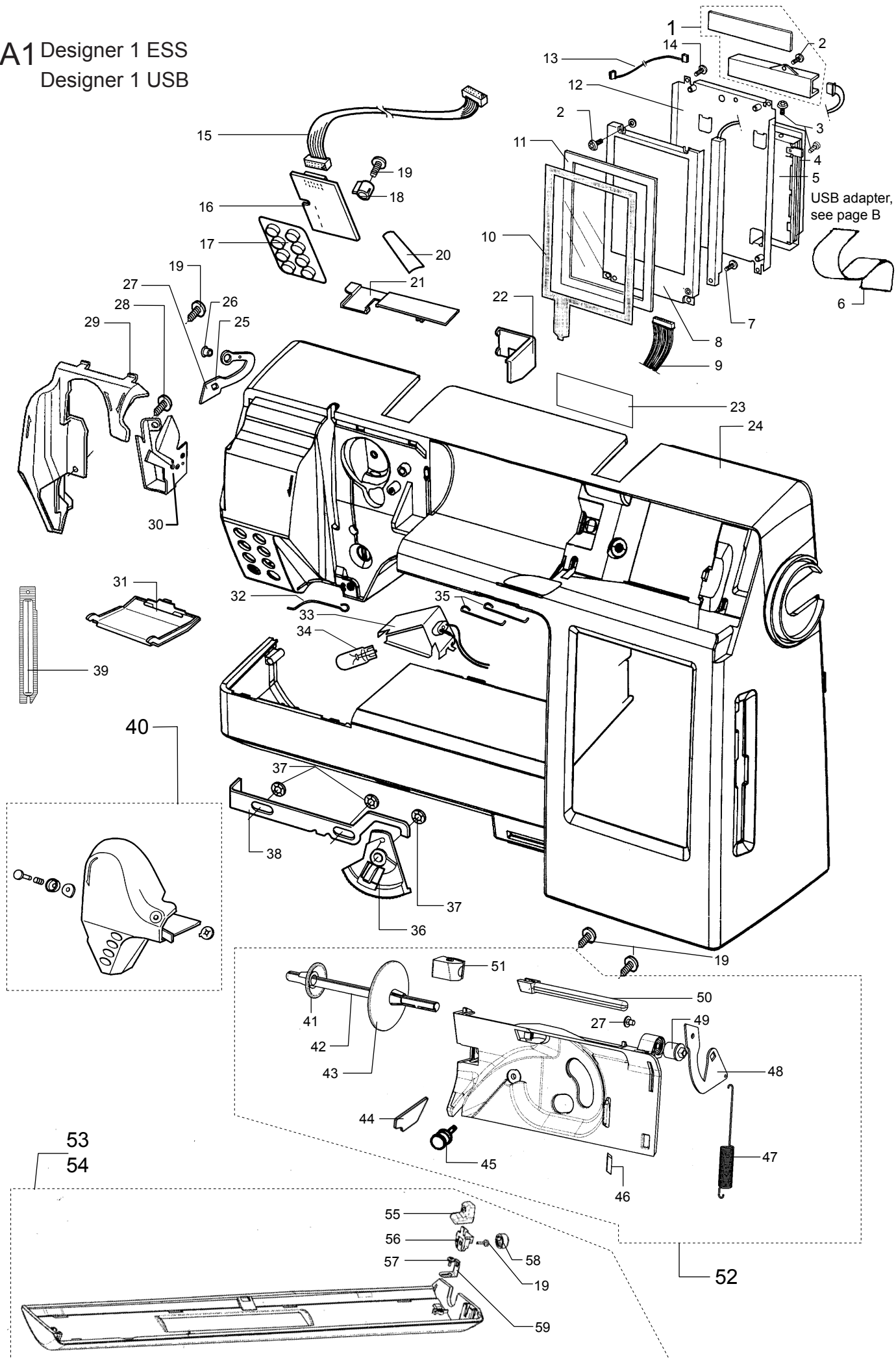


# Parts List

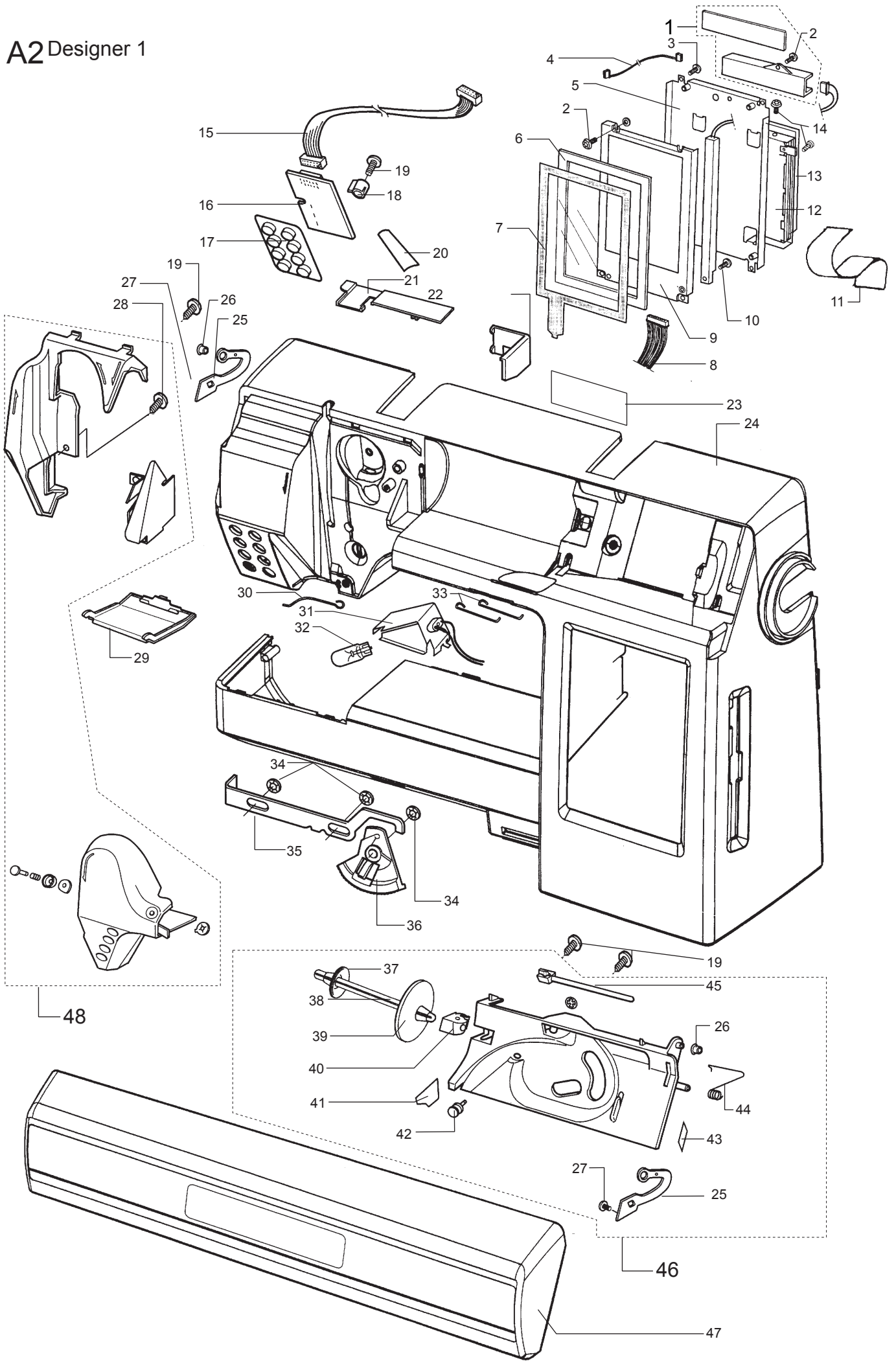


DesignerI  
DesignerI<sup>ESS</sup>  
DesignerI<sup>USB</sup>

A1 Designer 1 ESS  
Designer 1 USB

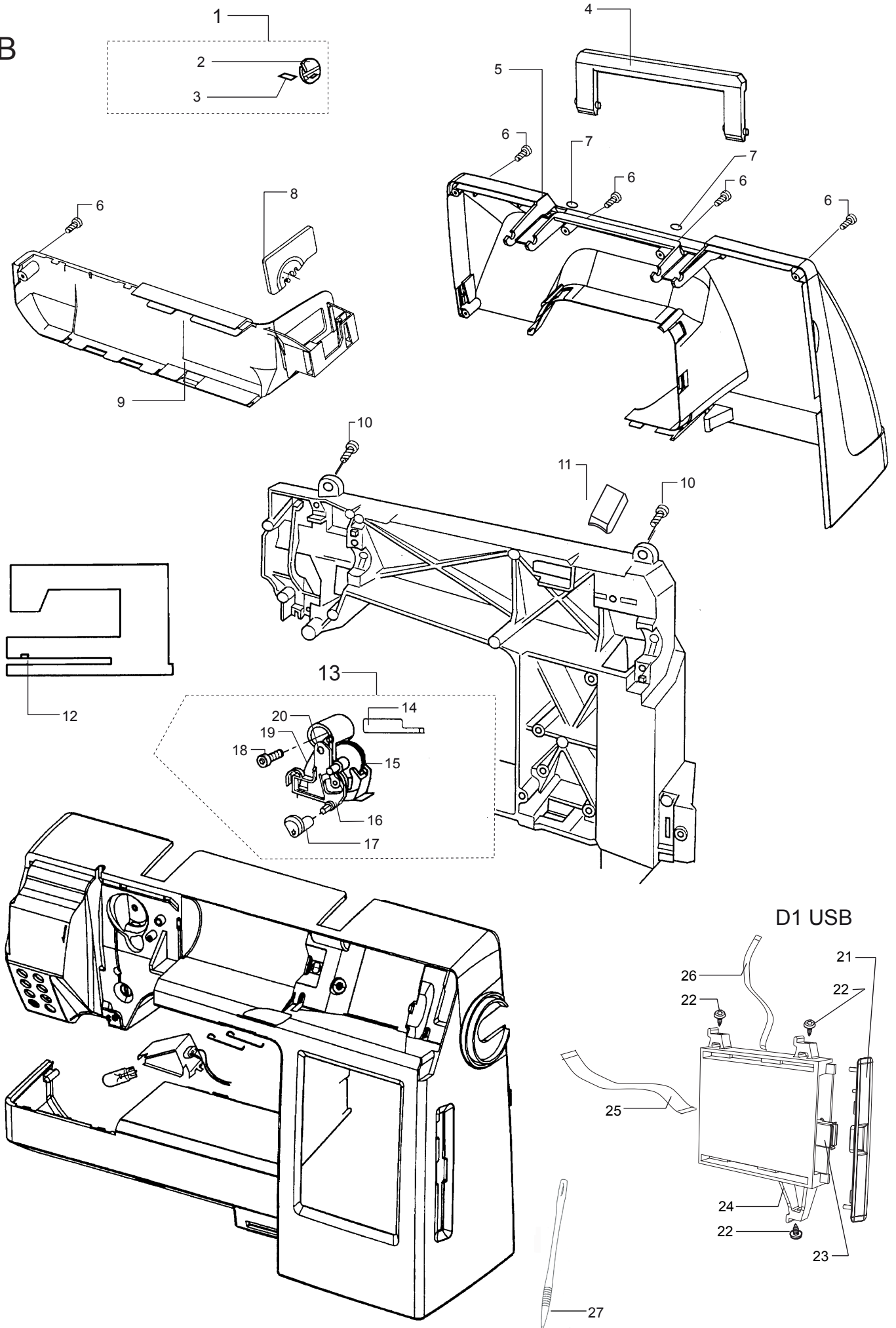


1	412920101	LCD TRANSFORMER CPL.	47	412703401	SPRING
2	412056004	SCREW TAPITTE M3*6 TORX	48	412703201	HINGE
3	724118901	SCREW M2 5*4MM 1250	49	412703501	LID SMOTHERER
4	412581601	PROTECTOR, FLOPPY	50	412520901	THREAD HOLDER
5	412491702	FLOPPY DRIVE	51	412533401	GUIDE, REAL PIN
6	412537801	CABLE FLOPPY DRIVE	52	412554303	COVER, BOBBIN WINDING D1 ESS,D1 USB
7	411966820	SCREW 30*10 FZB KOMBITORX	53	412709002	DOOR, FRONT COVER DESIGNER 1,ESS
8	412614201	DISPLAY	54	412709002	DOOR, FRONT COVER DESIGNER 1 USB
9	412538001	CABLE, DISPLAY	55	412725701	COVER SPRING
10	412450903	TOUCH PANEL	56	412703701	LOWER BUTTON
11	412623101	SEALING	57	411966828	SCREW PT 30*6 FZB TORX
12	412721701	HOLDER, DISPLAY	58	412706901	UPPER BUTTON
13	412538002	CABLE	59	412703601	SPRING
14	411966803	SCREW PT 30*12 FZB TORX			
15	412546902	CABLE ASSEMBLY (10P)			
16	412451101	KEYBOARD LEFT			
17	412533301	PUSH BUTTONS ASSEMBLY			
18	412549601	HOLDER			
19	411966801	SCREW PT 30*7,5 FZB TORX			
20	412521501	HEAT PROTECTOR			
21	412554201	CABLE HOLDER			
22	412562201	CABLE HOLDER, ARM SHAFT			
23	412613201	HEAT PROTECTOR			
24	412614102	FRONT COVER CPL. VER. 2			
25	412522001	HINGE			
26	412522301	BUSHING			
27	411967401	SCREW LKCS M3*4 FZB			
28	411966805	SCREW PT 30*20 FZB TORX			
29	412519802	THREAD GUIDE			
30	412651301	THREAD GUIDE ASS.			
31	412520801	LAMP GUARD			
32	412544801	THREAD GUIDE			
33	412520501	LAMP CPL.			
34	413181801	BULB 12V 5W			
35	412558001	THREAD SUPPORT			
36	412533701	KNOB, FEED DOG LOWERING			
37	735583500	WASHER			
38	412533601	LINK			
39	412480902	SEAL TAKE UP LEVER			
40	412519703	COVER			
41	412371101	THREAD REEL DISC 20MM			
42	412521001	REEL PIN			
43	412371102	THREAD REEL DISC 40MM			
44	412563101	THREAD GUIDE			
45	412557901	THREAD GUIDE			
46	412423701	THREAD CUTTER			



1	412920101	LCD TRANSFORMER CPL.	47	412521604	FRONT COVER
2	412056004	SCREW TAPITTE M3*6 TORX	48	412655501	LAY IN TENSION KIT
3	411966803	SCREW PT 30*12 FZB TORX			
4	412538002	CABLE			
5	412721701	HOLDER, DISPLAY			
6	412623101	SEALING			
7	412450903	TOUCH PANEL			
8	412538001	CABLE, DISPLAY			
9	412614201	DISPLAY			
10	411966820	SCREW 30*10 FZB KOMBITORX			
11	412537801	CABLE, FLOPPY DRIVE			
12	412491702	FLOPPY DRIVE			
13	412581601	PROTECTOR, FLOPPY			
14	724118901	SCREW M2 5*4MM 1250			
15	412546902	CABLE ASSEMBLY (10P)			
16	412451101	KEYBOARD LEFT			
17	412533301	PUSH BUTTON ASSEMBLY			
18	412549601	HOLDER			
19	411966801	SCREW PT 30*7,5 FZB TORX			
20	412521501	HEAT PROTECTOR			
21	412554201	CABLE HOLDER			
22	412562201	CABLE HOLDER, ARM SHAFT			
23	412613201	HEAT PROTECTOR			
24	412614102	FRONT COVER CPL. VER. 2			
25	412522001	HINGE			
26	412522301	BUSHING			
27	411967401	SCREW LKCS M3*4 FZB			
28	411966805	SCREW PT 30*20 FZB TORX			
29	412520801	LAMP GUARD			
30	412544801	THREAD GUIDE			
31	412520501	LAMP, CPL.			
32	413181801	BULB 12V 5W			
33	412558001	THREAD SUPPORT			
34	735583500	LOCKING WASHER			
35	412533601	LINK			
36	412533701	KNOB, FEED DOG LOWERING			
37	412371101	THREAD REEL DISC 20MM			
38	412521001	REEL PIN			
39	412371102	THREAD REEL DISC 40MM			
40	412533401	GUIDE, REAL PIN			
41	412563101	THREAD GUIDE			
42	412557901	THREAD GUIDE			
43	412423701	THREAD CUTTER			
44	412522101	SPRING			
45	412520901	THREAD HOLDER			
46	412554301	COVER, BOBBIN WINDING			

B

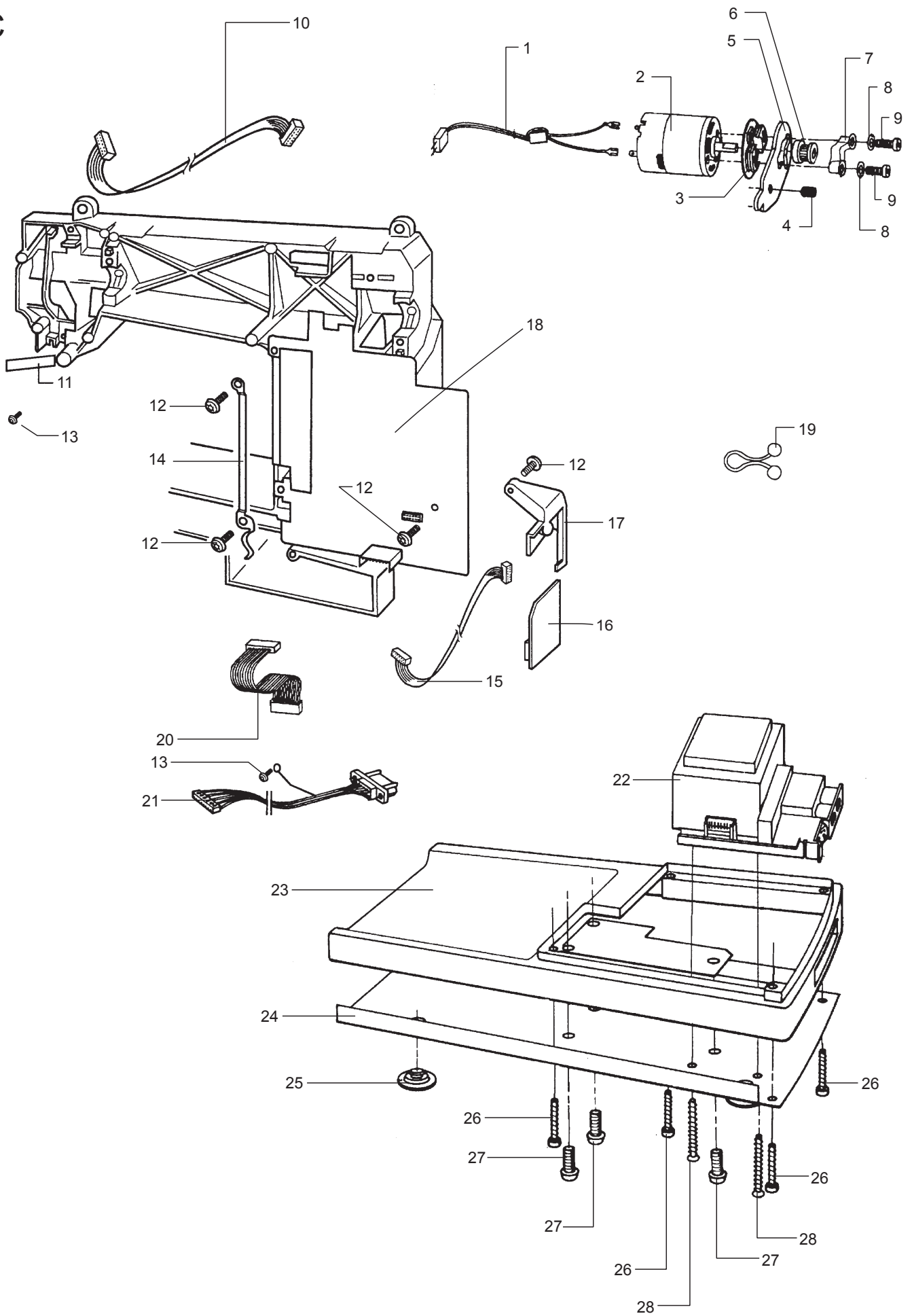


D1 USB

1	412452301	THREAD CUTTER CPL.
2	412452401	WASHER FOR CUTTER
3	412423701	THREAD CUTTER
4	412522601	HANDLE
5	412522502	BACK COVER
6	411966803	SCREW PT 30*12 FZB TORX
7	412569701	DAMPER
8	412523001	COVER
9	412522801	COVER PLATE, FREE ARM
10	411966810	SCREW PT 40*20 FZB TORX
11	412589901	DISTANCE
12	412323302	SEALING WASHER
13	412322704	BOBBIN WINDING
14	412448701	SPRING
15	412305501	O-RING
16	412345101	ADJUSTING ARM
17	412345001	ECCENTRIC, WINDING STOP
18	412056006	SCREW TAPITTE M4*12 TORX
19	412342601	SPRING
20	412356201	PIN
21	412936201	USB-COVER
22	411966828	SCREW PT 30*6 FZB TORX
23	412935701	USB ADAPTER CPL.
24	412936101	PC-CARD HOLDER USB
25	412537801	CABLE FLOPPY DRIVE
26	412388105	FLEX CABLE
27	412693401	STYLUS

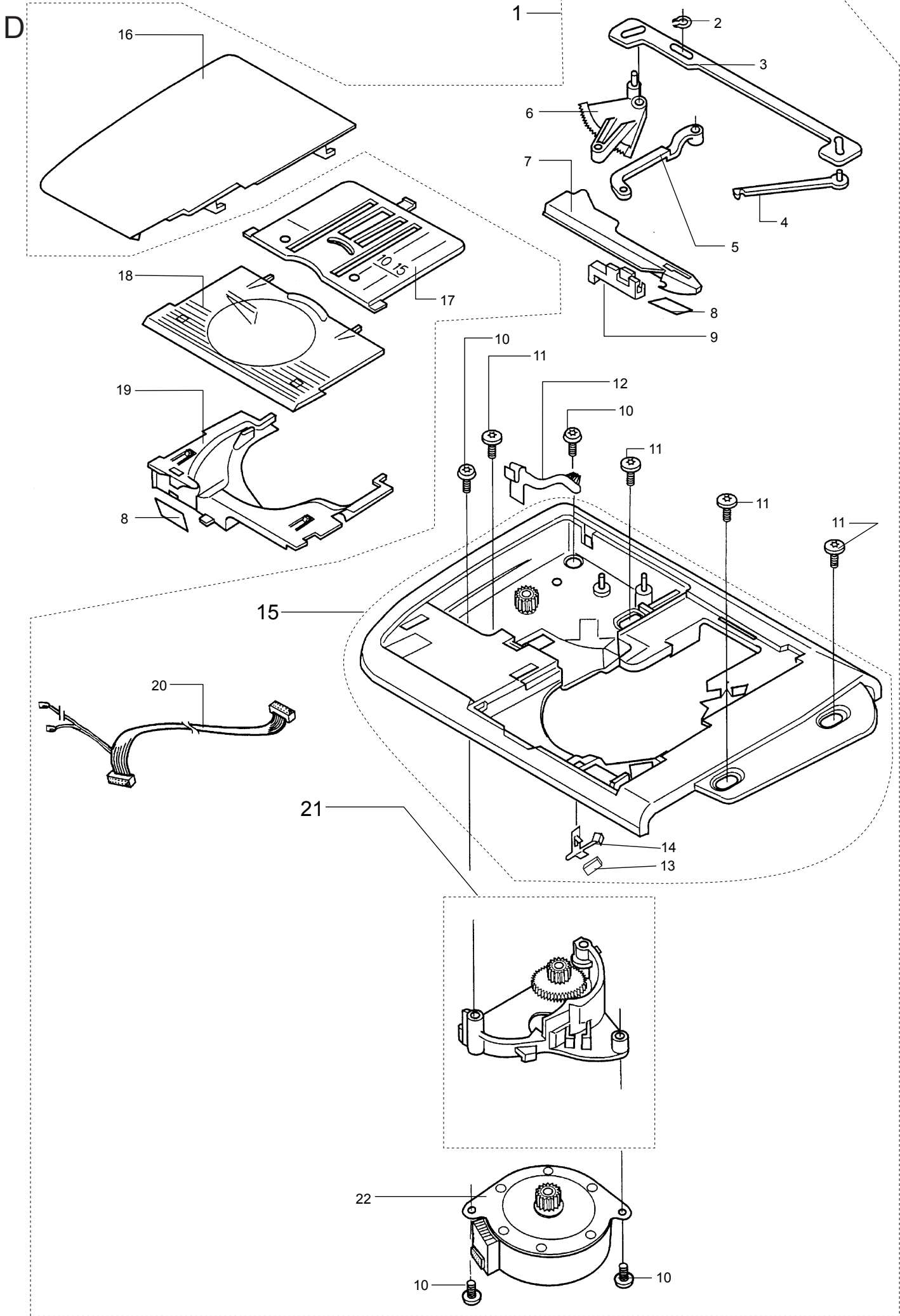


C



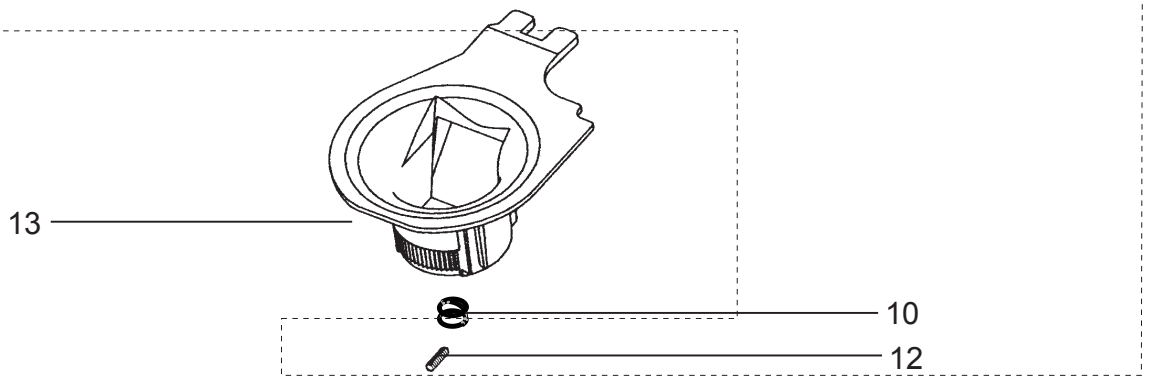
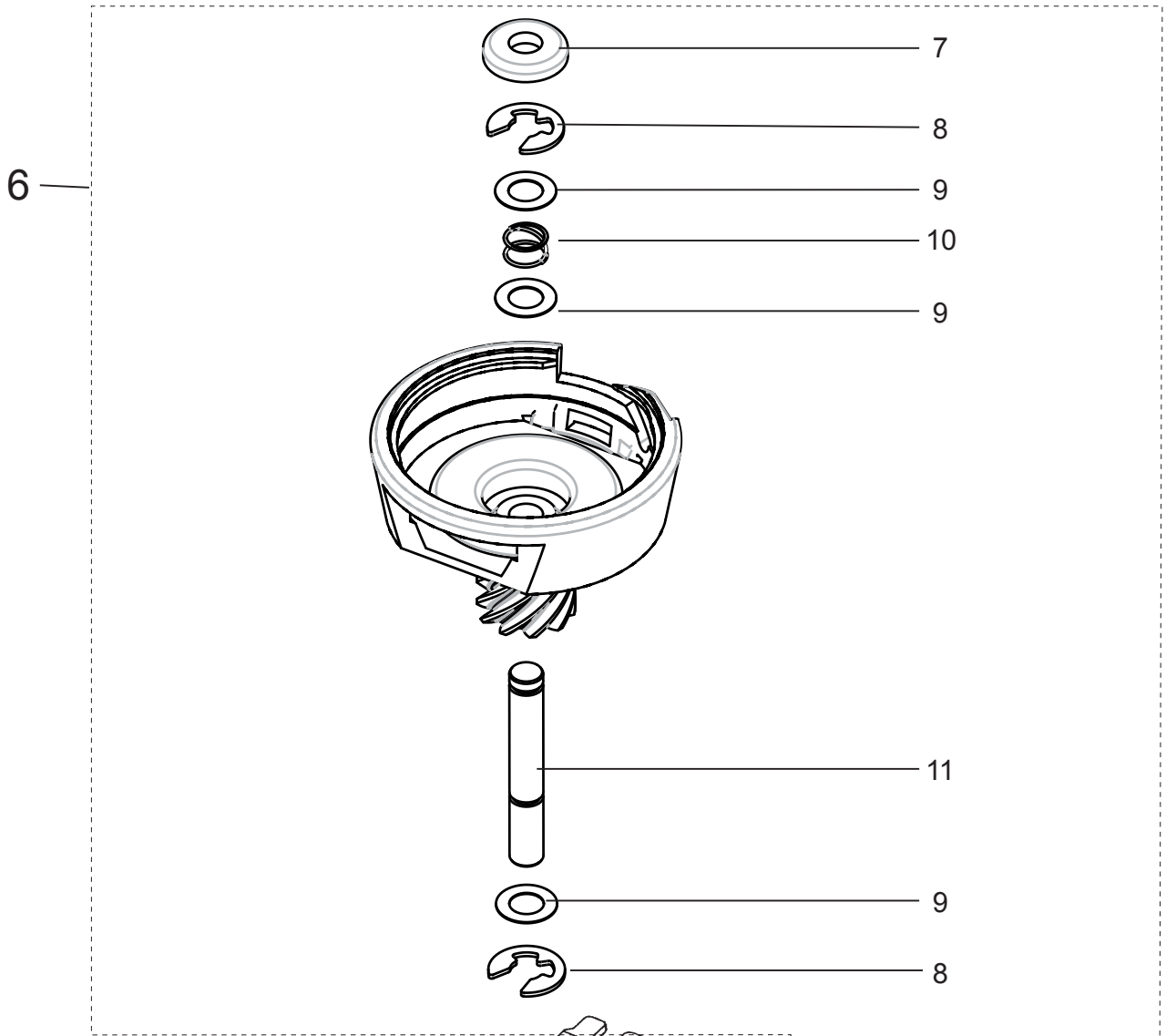
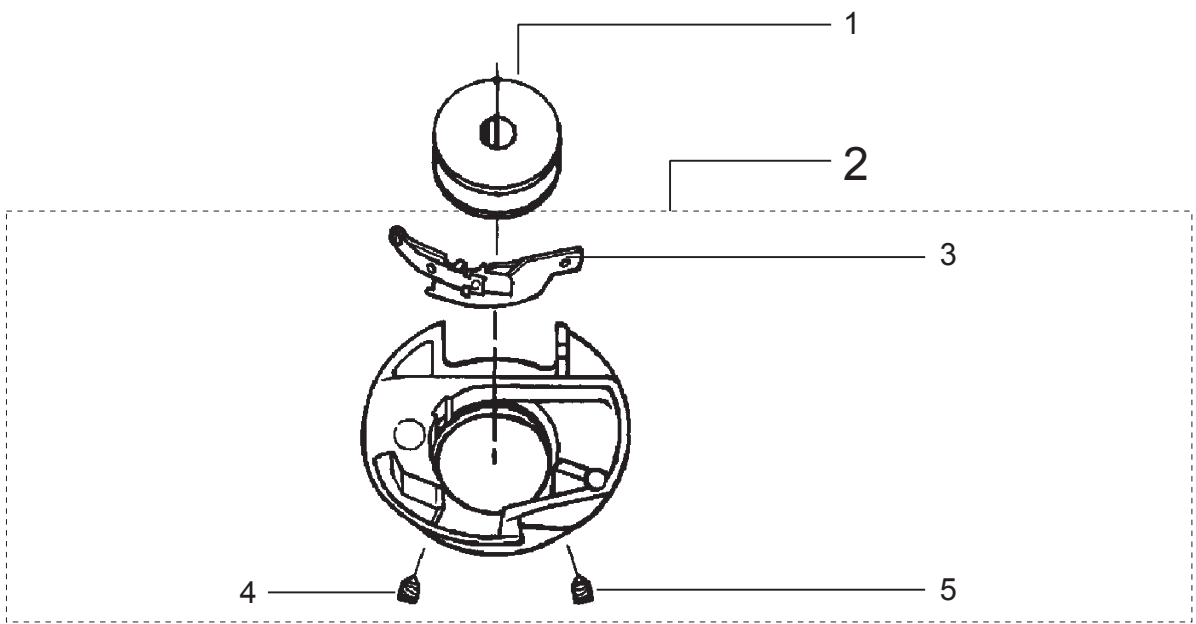


1	412349601	CABLAGE MOTOR 400
2	412339702	MOTOR 24V FOR 770
3	412339401	DAMPER
4	728736405	SCREW 6*10MM
5	412339301	ATTACHMENT MOTOR
6	412353302	DRIVING WHEEL MOTOR 350,400,500
7	412494901	DISTANCE
8	735213601	WASHER
9	412211414	SCREW M4*16 TORX
10	412546901	CABLE ASSEMBLY (18P)
11	412597801	SPRING EARTHING
12	412056006	SCREW TAPITTE M4*12 TORX
13	412056010	SCREW TAPITTE M3*10 TORX
14	412545601	SPRING
15	412546904	CABLE ASSEMBLY (6P)
16	412559301	SENSOR BOARD ASSEMBLY
17	412516401	HOLDER, POSITION DETECTION
18	412448346	PC-BOARD,MAIN BOARD, D1 USB
19	412577503	CABLE HOLDER
20	412349702	CABLE TRANSF.CONTROL BOARD
21	412558201	CABLE ASS.
22	412564305	POWER SUPPLY
23	412523302	BOTTOM COVER
24	412523401	BASE PLATE
25	412305001	RUBBER FOOT, BASE PLATE
26	411966812	SCREW PT 40*40 FZB TORX
27	412056001	SCREW TAPITTE M5*14 TORX
28	411967107	SCREW PT FS 40*35 FZB TORX



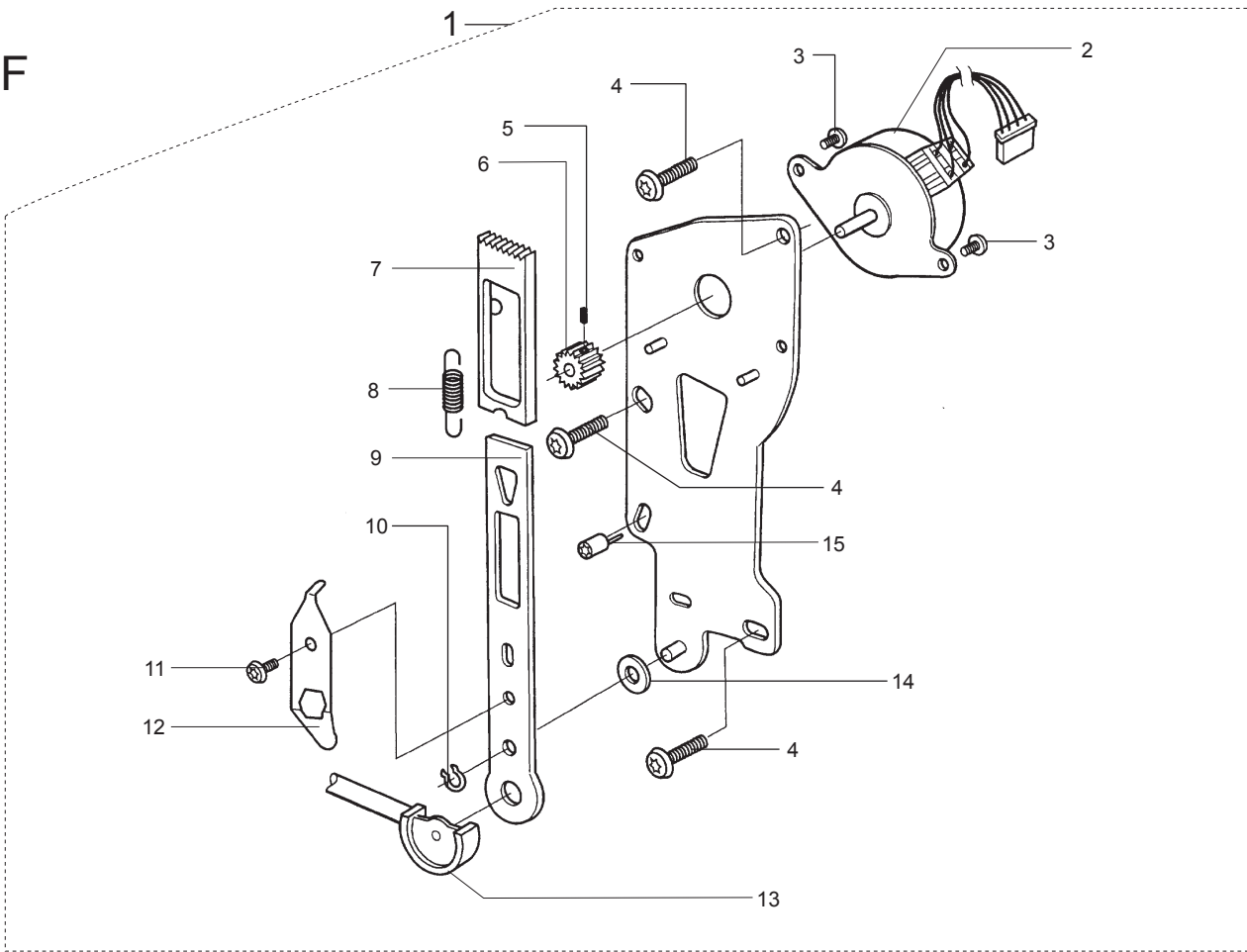
1	412813901	HOOK COVER CPL.
2	735611340	COMPRESSION RING Ø2
3	412509701	SLIDE
4	412510101	THREAD HOOK ASS.
5	412545301	LEVER
6	412545201	COG SEGMENT
7	412545403	FETCHER
8	412423701	THREAD CUTTER
9	412795001	KNIFE SLIDE
10	411966801	SCREW PT 30*7,5 FZB TORX
11	412287903	SCREW M4*5 FZB
12	413157401	CUTTER, THREAD BRAKE
13	412508801	DAMPER
14	412508701	SPRING
15	412600401	HOOK COVER
16	412510501	COVER, THREAD CUTTER
17	412533001	STITCH PLATE
18	412513401	BOBBIN COVER
19	412513301	CASE HOLDER ASS.
20	412513101	CABLE LOWER THREAD SENSOR
21	412508901	GEAR BOX ASS.
22	412512801	STEPPING MOTOR A

E

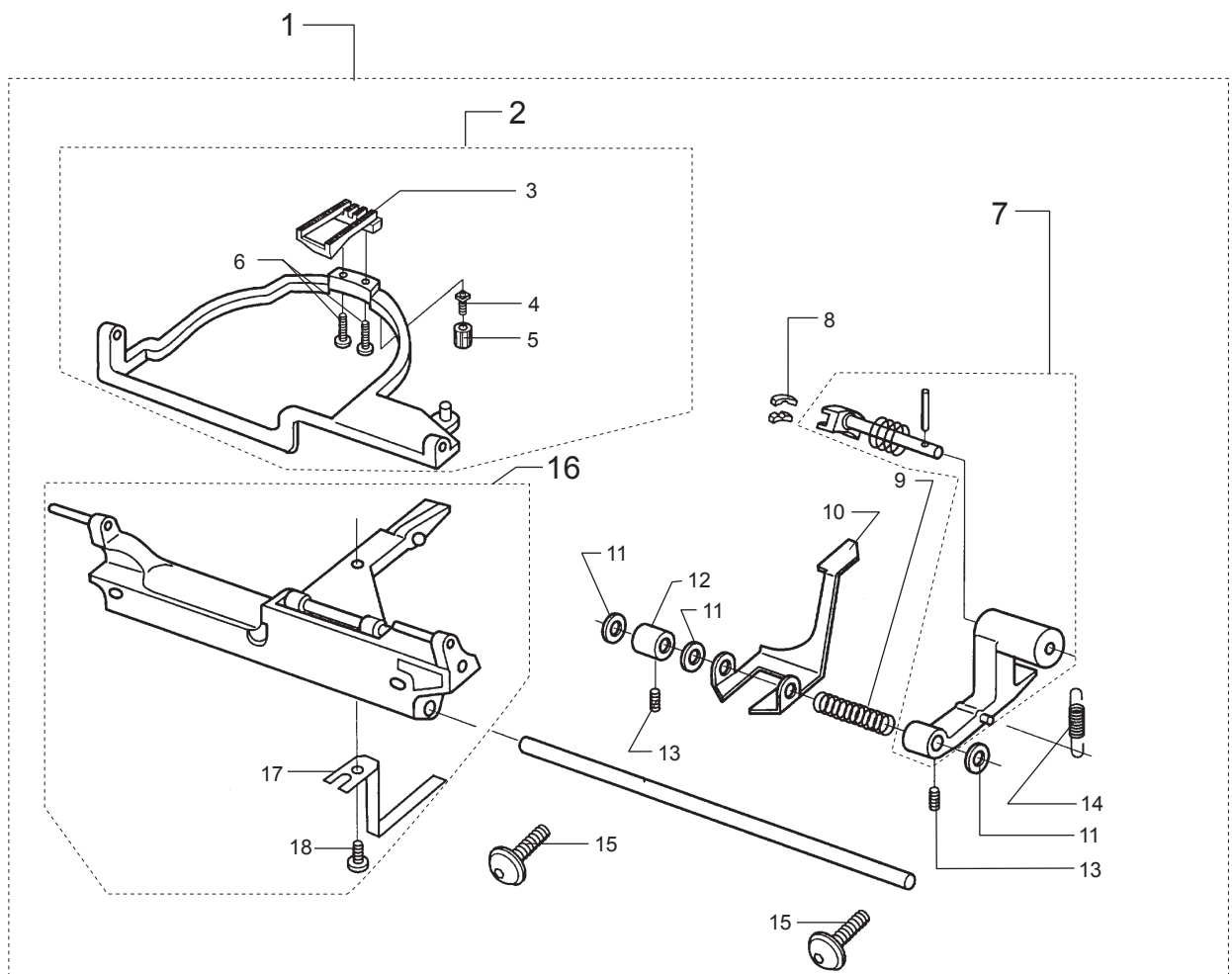


1	413182545	PLASTIC BOBBINS 10-PACK
2	412550101	BOBBIN CASE ASS.
3	412471601	THREAD TENSION CPL.
4	412471601	SCREW THREAD TENSION SPRING
5	412464501	SCREW, BOBBIN CASE
6	412876902	HOOK CPL. WITH SHAFT
7	412866801	CAP, HOOK
8	735310820	LOCK WASHER 4
9	412394701	WASHER
10	412930101	SPRING, HOOK
11	412866901	SHAFT, HOOK
12	728528705	SCREW M4*8
13	412934801	DUST SHIELD

F



G



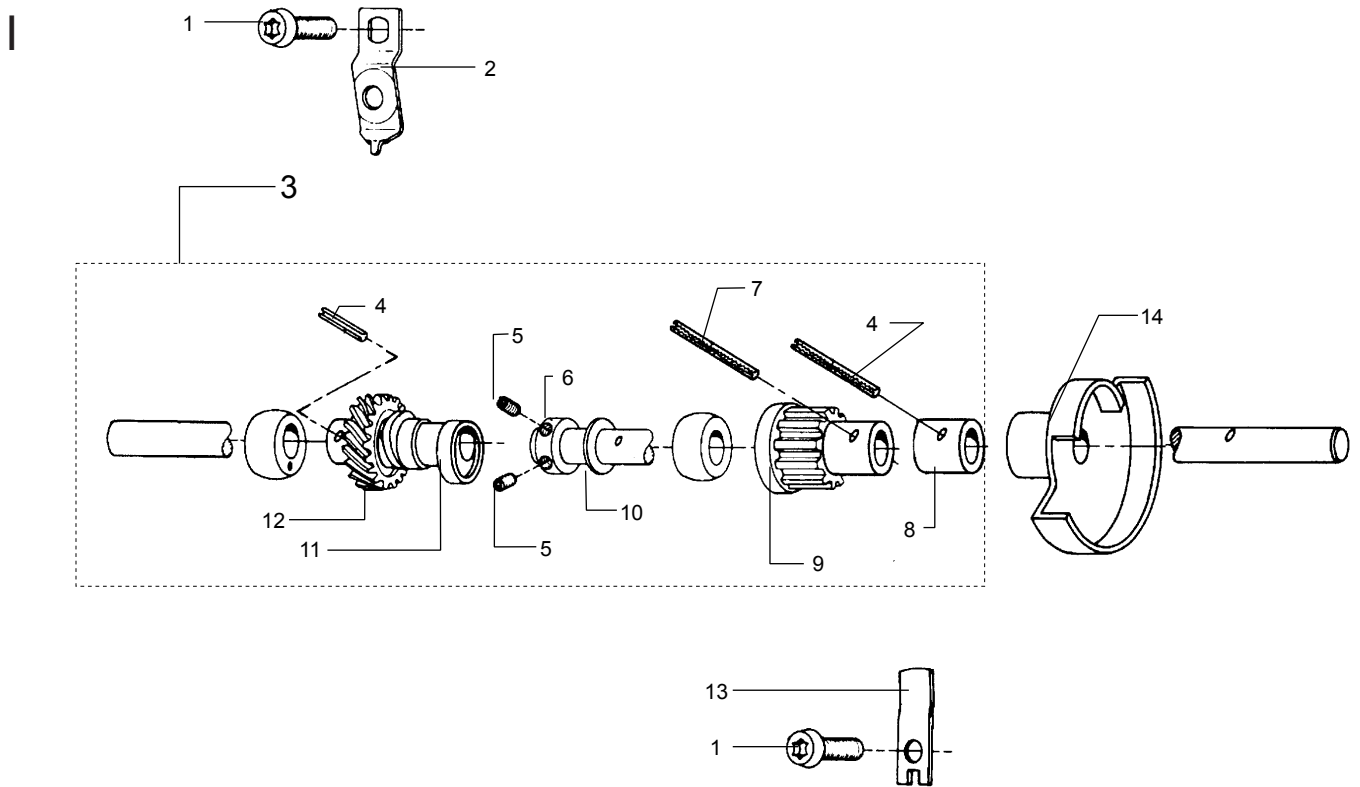
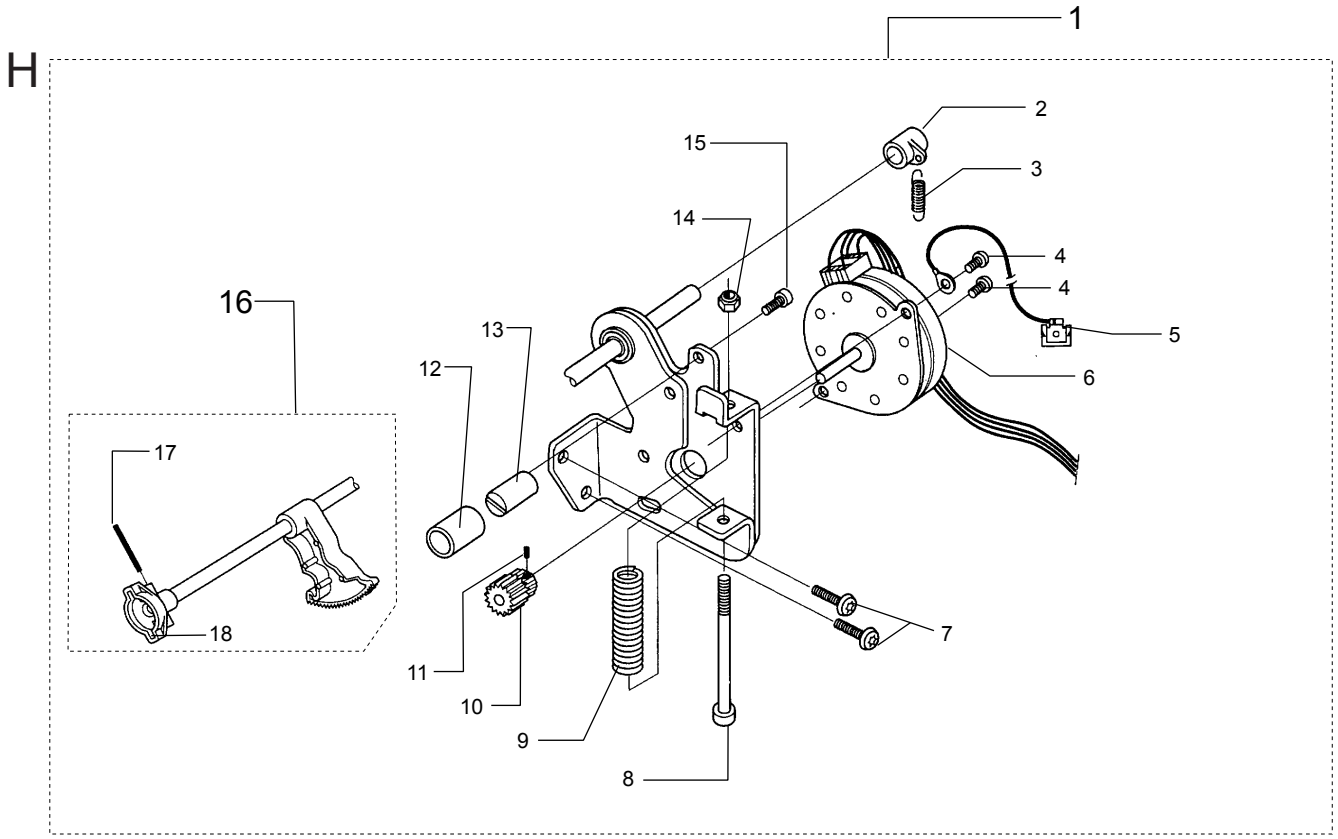
F

1	412506001	SIDE FEEDING UNIT
2	412556201	STEPPER MOTOR
3	412056004	SCREW TAPITTE M3*6 TORX
4	412056006	SCREW TAPITTE M4*12 TORX
5	411968703	SET SCREW FLAT M3*3 TORX
6	412152701	GEAR
7	N/S	COG SEGMENT
8	412337501	SPRING 1250
9	N/S	DRAW BAR
10	735613640	COMPRESSION RINGS Ø4
11	412056010	SCREW TAPITTE M3*10 TORX
12	N/S	CLAMP
13	412506601	DRAW BAR
14	N/S	WASHER
15	412507302	ECCENTRIC SIDE FEEDING
	412507301	ECCENTRIC SIDE FEEDING

G

1	412513601	FEED UNIT CPL.
2	412515001	FEED DOG CPL.
3	412515101	FEED DOG
4	412318401	BUSHING, FEED DOG
5	412378201	NUT
6	412211420	SCREW M2,5*12 TORX
7	412513701	FRAME FEED UNIT CPL.
8	412514301	BLOCK GUIDE
9	412515501	SPRING
10	412515401	LEVER FEED LIFT
11	411721001	WASHER
12	N/S	STOP RING
13	N/S	SCREW M4*4
14	412515301	SPRING
15	412281902	SCREW FLANGE M4*14 TT TORX
16	412514401	FEED CARRIGE
17	412514901	SPRING, LINK
18	412056011	SCREW TAPITTE M3*5 TORX

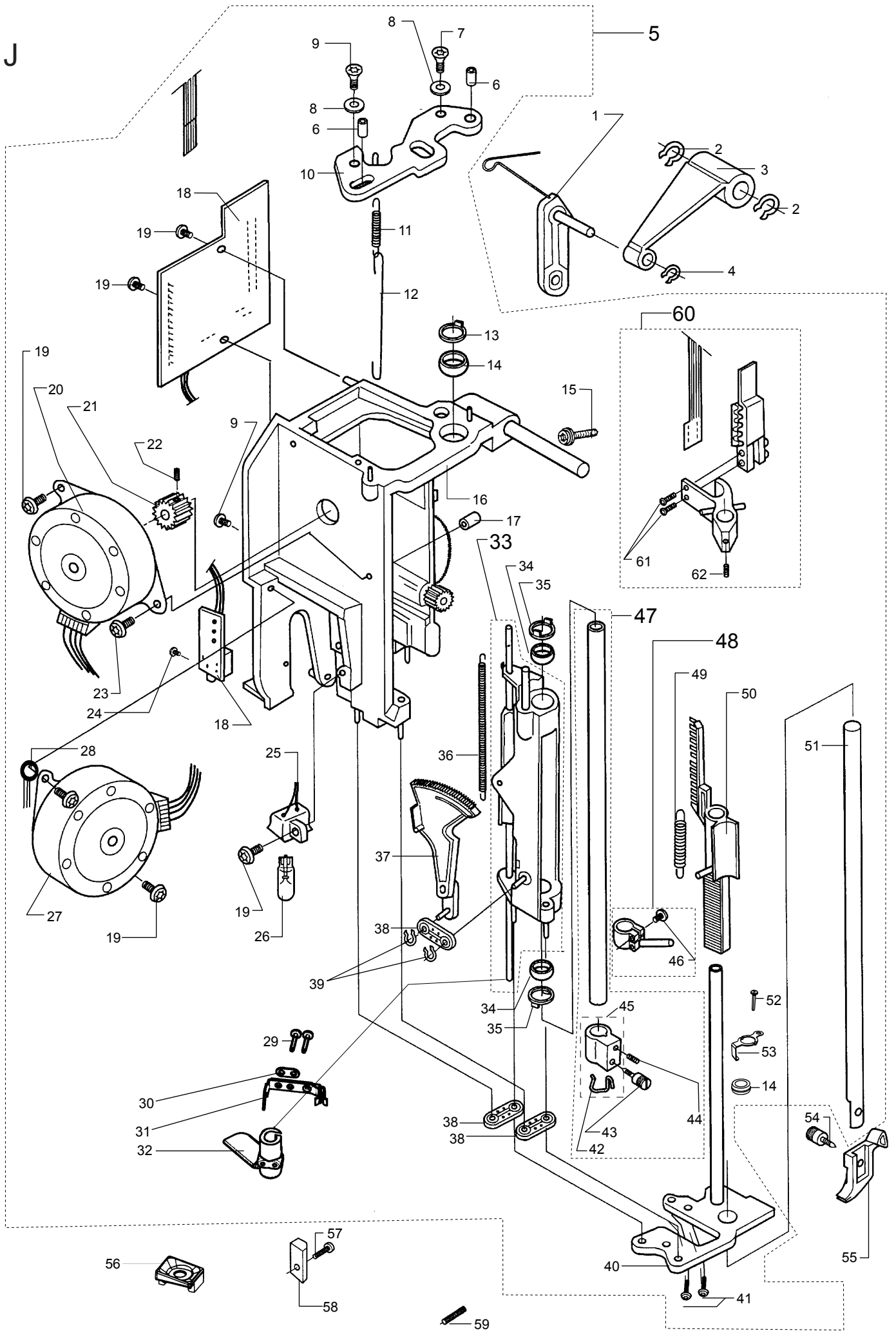




1	412540201	FEEDING STEP MOTOR CPL.
2	412348801	FASTENER SPRING
3	412507201	SPRING SEGMENT
4	412056004	SCREW TAPTITE M3*6 TORX
5	412629101	ESD-CABLE
6	412323409	STEPPER MOTOR
7	412056006	SCREW TAPTITE M4*12 TORX
8	412348201	FEED MECH. SET SCREW
9	412348101	SPRING
10	412540801	COG WHEEL
11	411968703	SET SCREW FLAT M3*3 TORX
12	N/S	DAMPER
13	N/S	CALIBRATION STOP
14	N/S	LOCKING NUT
15	N/S	SCREW M3*6
16	412541001	SHAFT FEEDING CPL.
17	N/S	PIN
18	412348501	JOINT CROSS

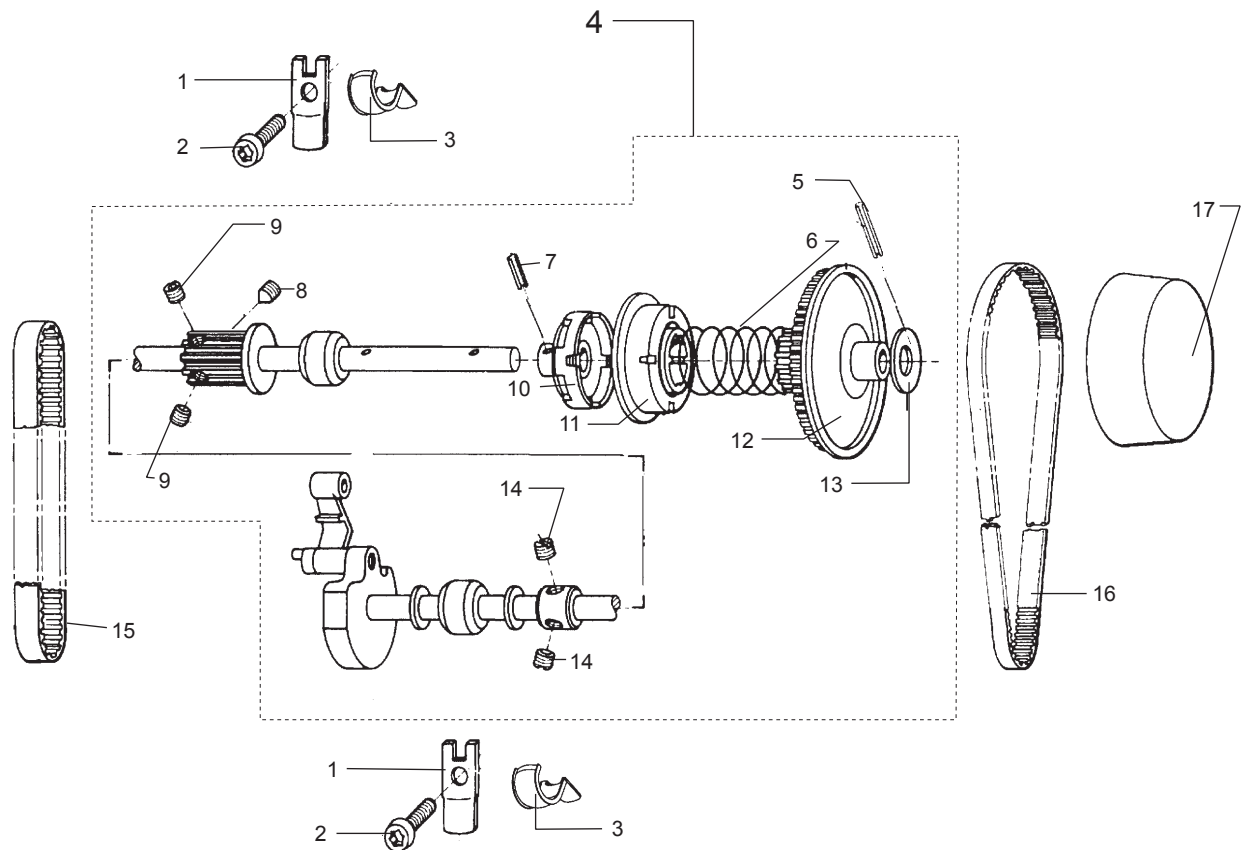
1	412056006	SCREW TAPTITE M4*12 TORX
2	412318101	CLAMP LOWER SHAFT
3	412516802	LOWER SHAFT CPL.
4	721418770	TUBE PIN
5	728828305	SCREW
6	412346001	RETAINING RING
7	721421010	PIN
8	N/S	DISTANCE
9	412354201	PULLEY FOR LOWER SHAFT
10	N/S	WASHER
11	412516901	ECCENTRIC FEED
12	412516301	HELICAL GEAR
13	412328401	CLAMP
14	412530301	SCREEN

J

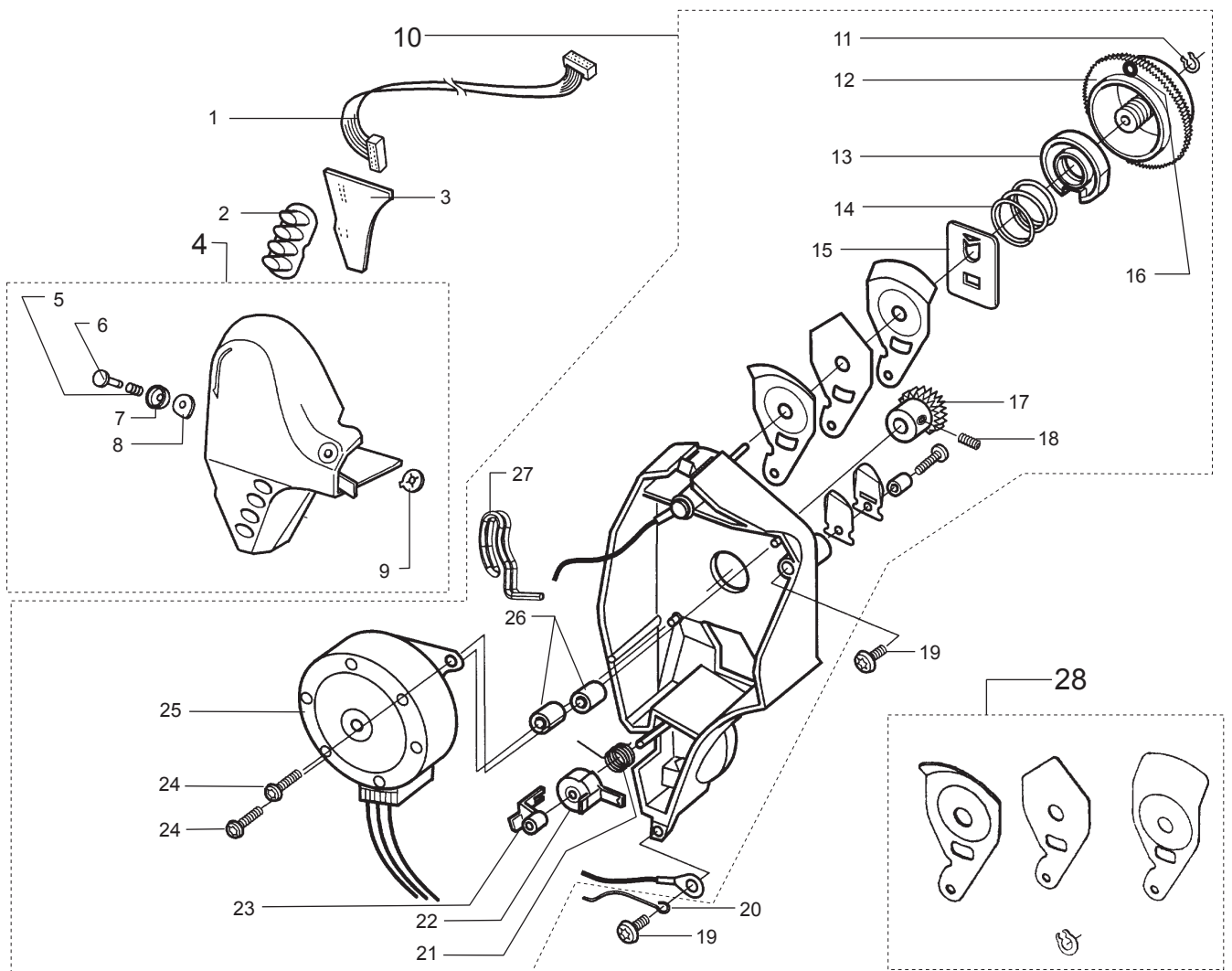


1	412600301	THREAD TAKE UP	47	412581703	NEEDLE BAR CPL.
2	735615340	COMPRESSION RINGS Ø6	48	412993601	CROSS HEAD CPL.
3	412303001	LINK	49	412504101	SPRING PRESSERFOOT
4	735613640	COMPRESSION RINGS Ø4	50	412503101	DESIGNER RACK SEWING HEAD
5	412600202	SEWING HEAD CPL.	51	412285402	PRESSER BAR
6	412502302	ECCENTRIC NEEDLE BAR	52	412211401	SCREW M3*4 TORX
7	412211406	SCREW M3*14 TORX	53	413052201	CLIPS LOWER FRAME
8	N/S	WASHER Ø9/3,2-0,9	54	412409701	SCREW PRESSER SHAFT
9	411966804	SCREW PT 30*14 FZB TORX	55	412616101	HOLDER, PRESSER FOOT
10	412502201	ADJUST, SLIDE	56	412614701	GUIDE
11	412501001	SPRING	57	725522805	SCREW M3*16 INSEX
12	412500901	SPRING	58	412504601	WEDGE
13	412504801	LOCKING DEVICE	59	728522205	SOCKET SET SCREW, FLAT POINT
14	412500601	BEARING	60	412503401	PRESSER BAR GUIDE
15	412281902	SCREW FLANGE M4*14 TT TORX	61	N/S	SCREW PT 15*12 FZB TORX
16	N/S	SEWING HEAD FRAME CPL.	62	N/S	SCREW M4*6
17	412502701	CALIBRATION STOP			
18	412504201	CONN.BOARD			
19	411966801	SCREW PT 30*7,5 FZB TORX			
20	412323408	STEPPER MOTOR			
21	412336280	COG WHEEL			
22	411968703	SET SCREW FLAT M3*3 TORX			
23	412211404	SCREW M3*10 TORX			
24	411966821	SCREW PT 18*10 FZB TORX			
25	412504301	LAMP HOLDER			
26	413181801	BULB 12V 5W			
27	412505601	STEP MOTOR QUILT DESIGNER			
28	412591101	CABLE ASS.			
29	411966825	SCREW PT 16*8 FZB TORX			
30	412876701	WASHER, NEEDLE THREADER			
31	413238402	NEEDLE THREADER			
32	412876801	HOLDER, NEEDLE THREADER			
33	412600101	NEEDLE BAR CPL.			
34	412501501	BEARING 10/6,35-4			
35	412504701	LOCKING DEVICE			
36	412316901	SPRING			
37	412500801	GEAR SEGMENT			
38	412501101	LINK			
39	735611840	COMPRESSION RING 2,5			
40	413025504	LOWER FRAME W BEARING			
41	411966803	SCREW PT 30*12 FZB TORX			
42	412581901	THREAD GUIDE			
43	412732301	SCREW NEEDLE CLAMP			
44	728521905	SOCKET SET SCREWS, FLAT POINT			
45	412773801	NEEDLE CLAMP CPL.			
46	412211403	SCREW M3*8 TORX			

K



L



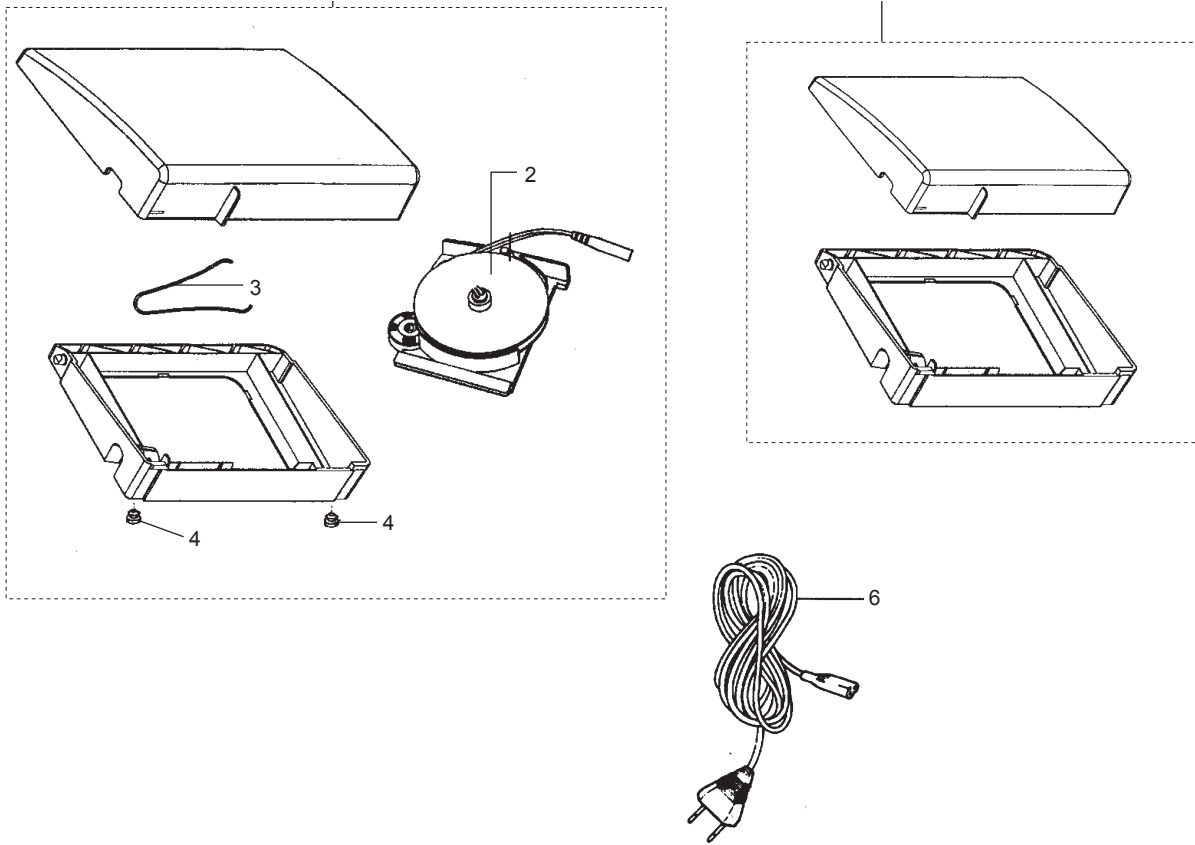
K

- 1 412328401 CLAMP
- 2 412056006 SCREW TAPITITE M4\*12 TORX
- 3 412558401 ABSORBER
- 4 412368303 MAIN SHAFT CPL.
- 5 412368701 PIN
- 6 412300701 SPRING
- 7 721418770 TUBE PIN
- 8 411968816 SET SCREW POINTED, M5\*5 TORX
- 9 411968716 SET SCREW FLAT, M5\*5 TORX
- 10 412317901 CLUTCH
- 11 412300601 DRIVER
- 12 412300801 PULLEY
- 13 735585500 LOCKING WASHER
- 14 728828305 SCREW
- 15 412368401 COG BELT
- 16 412345401 COG BELT FOR MOTOR 400
- 17 412300902 HAND WHEEL

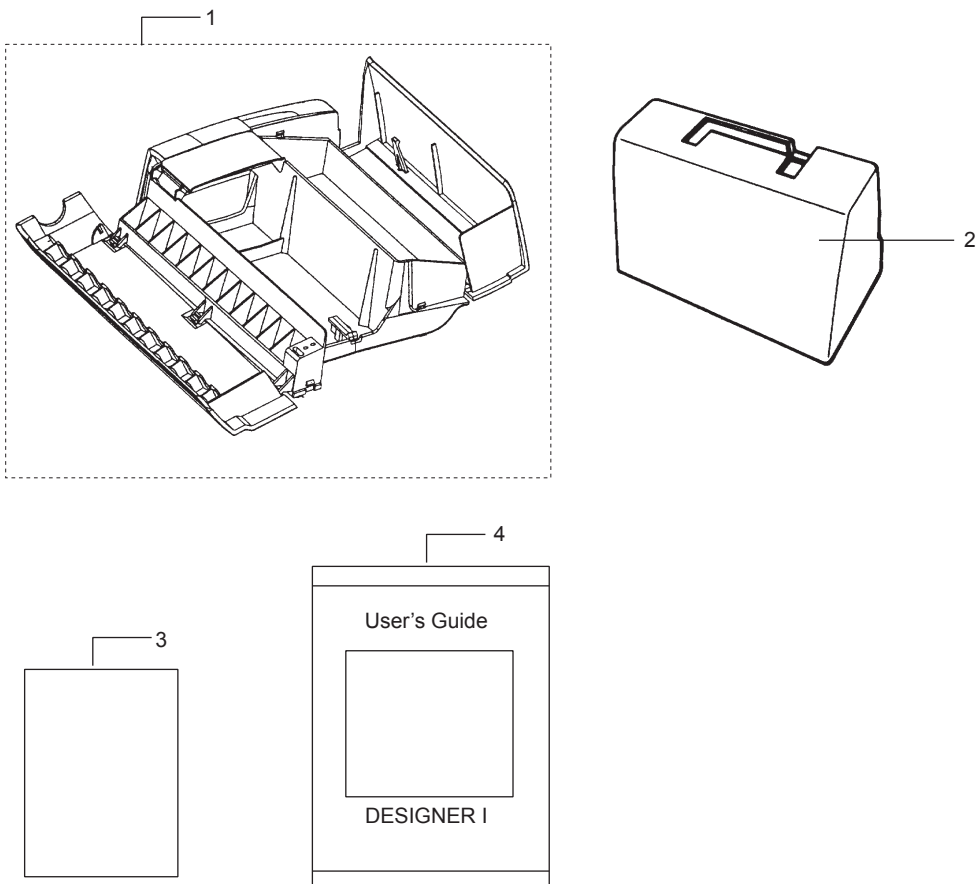
L

- 1 412546903 CABLE ASSEMBLY (8P)
- 2 412519501 BUTTON RIGHT
- 3 412453801 THREAD SENSOR BOARD
- 4 412519703 COVER
- 5 412521401 SPRING
- 6 412549701 PIN THREAD GUIDE
- 7 412549801 WASHER
- 8 412558101 GLIDE PLATE
- 9 735582300 WASHER
- 10 412600502 THREAD TENSION UNIT
- 11 735310500 LOCK WASHER 1,9
- 12 412519001 HOUSING THREAD TENSION
- 13 412518901 NUT THREAD TENSION
- 14 412613101 SPRING THREAD TENSION
- 15 412613301 LEVER THREAD TENSION
- 16 411967501 PLATE
- 17 412590101 TOOTHED GEAR THREAD TENSION
- 18 411968703 SET SCREW FLAT M3\*3 TORX
- 19 411966805 SCREW PT 30\*20 FZB TORX
- 20 412544801 THREAD GUIDE
- 21 412519202 CHECK SPRING
- 22 412519401 ADJUSTING SLEEVE
- 23 412519101 SENSOR, THREAD TENSION
- 24 411966825 SCREW PT 16\*8 FZB TORX
- 25 412554801 STEP MOTOR THREAD TENSION
- 26 N/S SLEEVE, STEPPING
- 27 412519301 THREAD GUIDE
- 28 412600601 THREAD TENSION SET

# M



# N





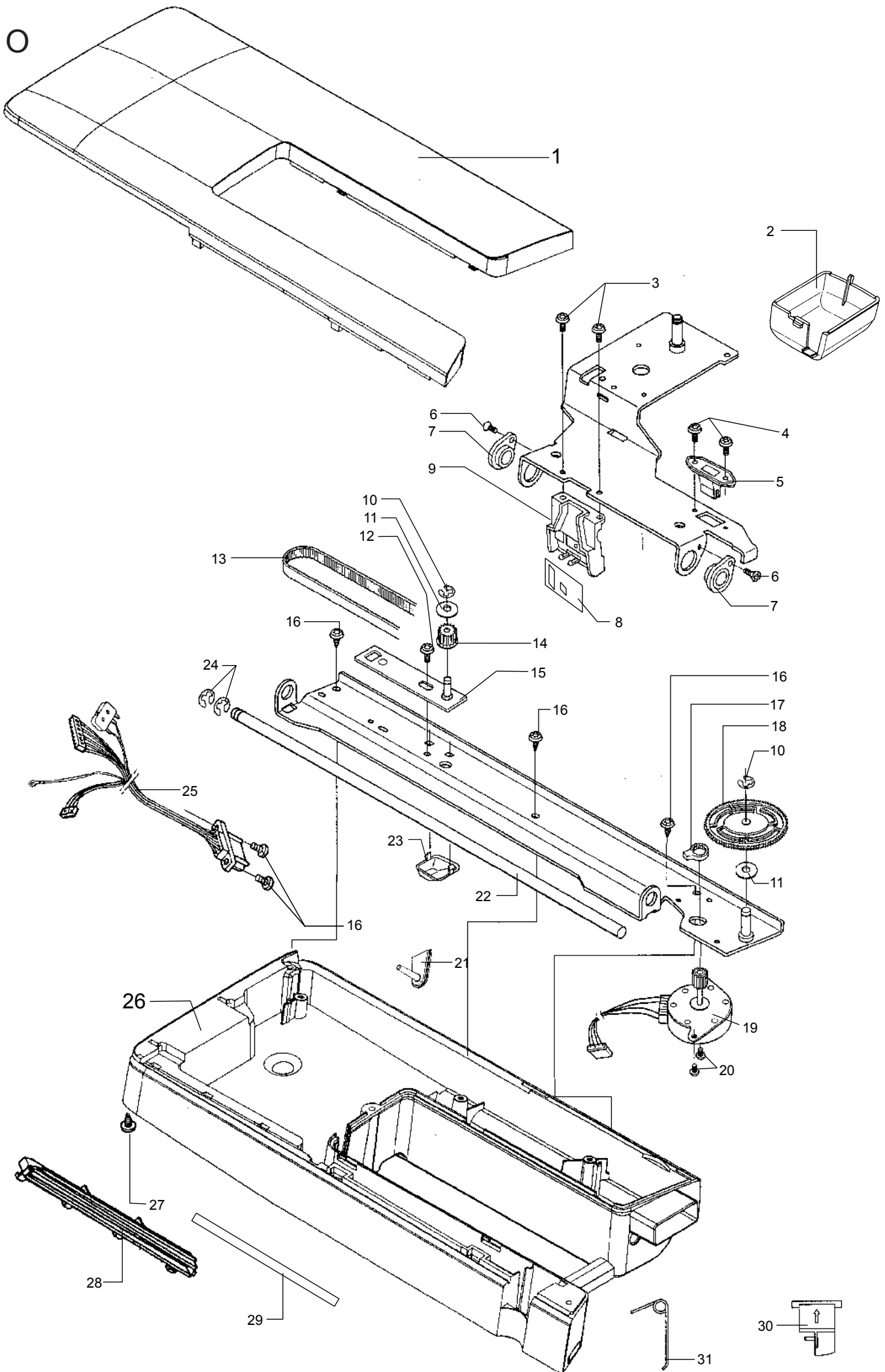
1	412492501	FOOT CONTROL CPL WITH CORD REEL	412942421	USERS GUIDE NOR
2	412493001	CONTROL UNIT WITH WINDER	412942426	USERS GUIDE ENG
3	412159801	SPRING	412942431	USERS GUIDE FRA
4	412184501	FOOT	412942436	USERS GUIDE DUTCH
5	412746101	FOOT CONTROL, TOP AND BOTTOM	412942441	USERS GUIDE ITA
6	412157801	NET CABLE 220V	412942446	USERS GUIDE SPA
6	412157902	NET CABLE 120V JP	412942451	USERS GUIDE GER
6	412157903	NET CABLE 120V	N/S	USERS GUIDE RUS
6	412158002	NET CABLE GB		
6	412158101	NET CABLE AU		

M

1	412517601	ACCESSORY BOX CPL.		
2	412529201	COVER		
3	412390926	PLASTIC BAG WITH ACCESSORIES		
4		<b>DESIGNER 1, DESIGNER 1 ESS</b>		
	412853501	USERS GUIDE SWE		
	412853506	USERS GUIDE DEN		
	N/S	USERS GUIDE ISL		
	N/S	USERS GUIDE JAP		
	412853511	USERS GUIDE FIN		
	412853521	USERS GUIDE NOR		
	412942426	USERS GUIDE ENG		
	412853531	USERS GUIDE FRA		
	412853536	USERS GUIDE DUTCH		
	412853541	USERS GUIDE ITA		
	412853546	USERS GUIDE SPA		
	412853551	USERS GUIDE GER		
	N/S	USERS GUIDE RUS		
	N/S	USERS GUIDE POR		
4		<b>DESIGNER 1 USB</b>		
	412942401	USERS GUIDE SWE		
	412942406	USERS GUIDE DEN		
	N/S	USERS GUIDE ISL		
	412942410	USERS GUIDE JAP		
	412942411	USERS GUIDE FIN		

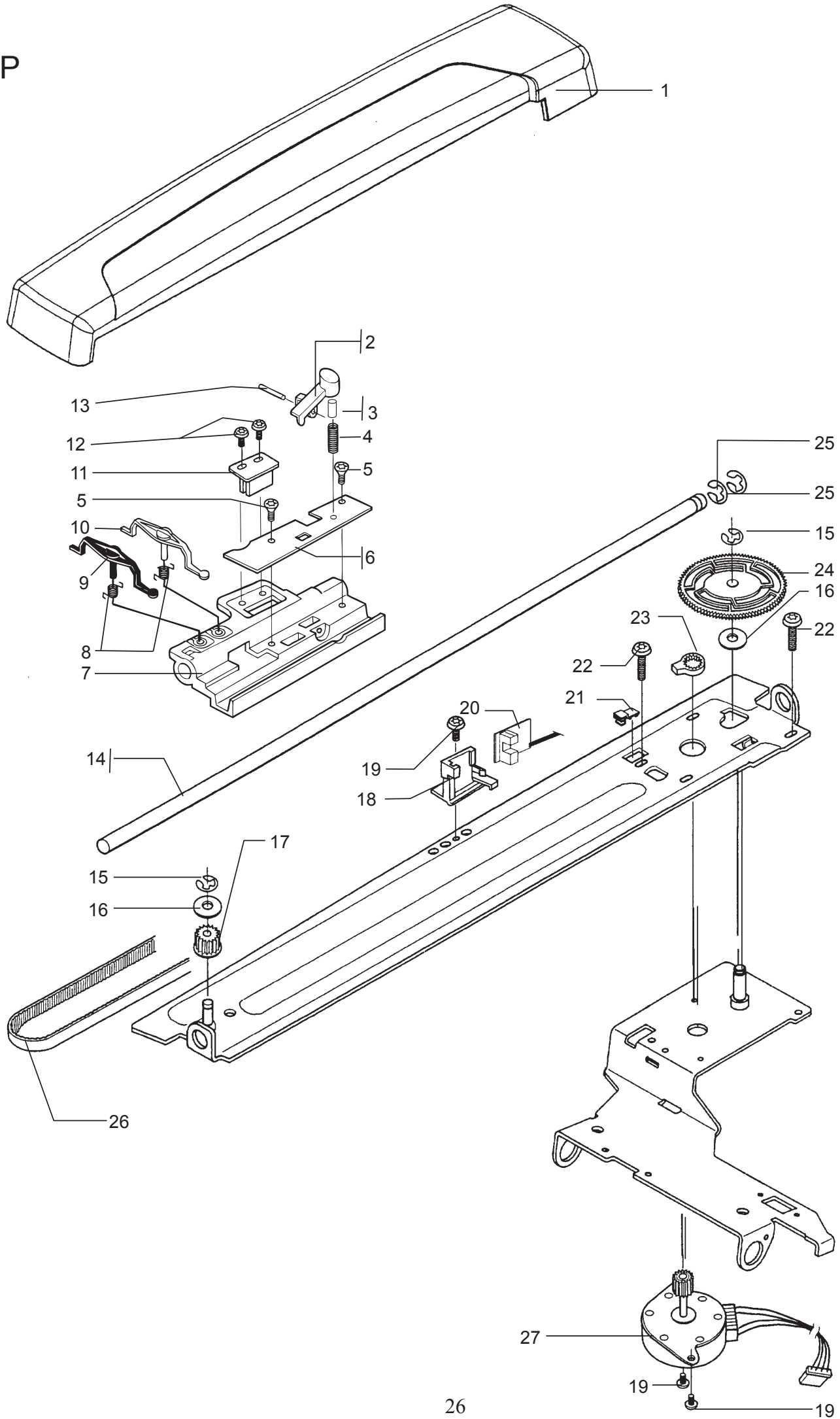
N

O



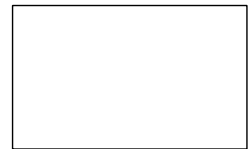
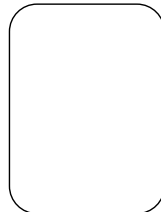
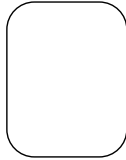
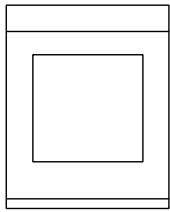
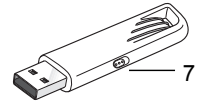
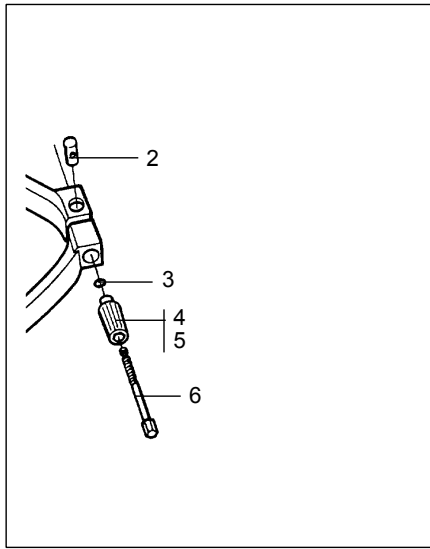
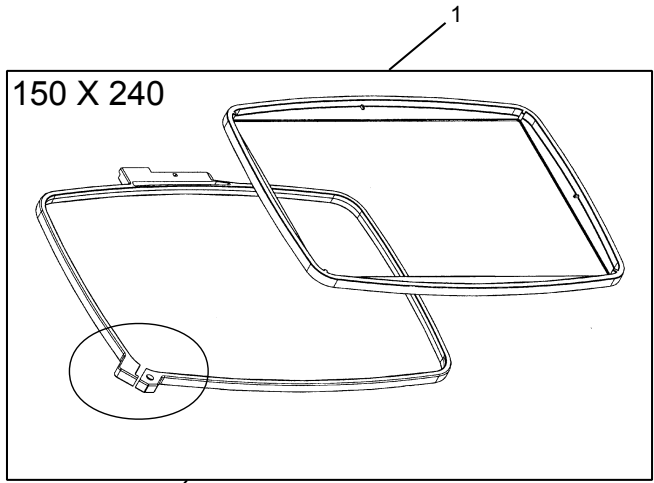
1	412527701	COVER TOP EMBROIDERY
2	412528001	STEP MOTOR COVER, Y-UNIT
3	411966801	SCREW PT 30*7,5 FZB TORX
4	412056004	SCREW TAPITTE M3*6 TORX
5	412524801	HOLDER X-COG BELT
6	411967204	SCREW M3*6
7	412629001	BEARING EMBROIDERY UNIT
8	412558501	CONNECTOR BOARD XY
9	N/S	CARD HOLDER
10	735310820	LOCK WASHER 4
11	412384301	WASHER 6/13*0,6
12	412056012	SCREW TAPITTE M4*6 TORX
13	412525501	COG BELT X-UNIT
14	412384202	COG WHEEL
15	412524901	PLATE, BELT TENSION CPL
16	411966808	SCREW PT 40*14 FZB TORX
17	412546401	CALIBRATION LEVER
18	412524601	GEAR WHEEL
19	412561801	STEP MOTOR X-UNIT
20	412056011	SCREW TAPITTE M3*5 TORX
21	412546601	FEED DOG LOWERING
22	412628801	SHAFT
23	412563901	COVER X-UNIT
24	735311020	C-WASHER
25	412524201	CABLE FLEXIBLE
26	412527801	COVER BASE
27	411966807	SCREW PT 40*10 FZB TORX
28	412528501	GUIDE RAIL
29	412529701	FRICITION TAPE
30	412528301	LOCKING KEY, X-UNIT
31	412528401	SPRING

P



1	412527901	COVER Y-UNIT
2	412526503	BUTTON, BLACK
3	412590003	SLEEVE
4	412526601	SPRING
5	411967306	SCREW PT FS 25*6 OXSV TORX
6	412619202	PLATE Y-UNIT
7	412526403	FRAME Y-UNIT
8	412555701	SPRING
9	412749801	SENSOR EMBROIDERY FRAME
10	412525402	SENSOR
11	412525301	HOLDER BELT
12	411966801	SCREW PT 30*7,5 FZB TORX
13	412316049	INA PIN NRB 2*7,8 0-6UM
14	412628901	SHAFT
15	735310820	LOCK WASHER 4
16	412384301	WASHER 6/13*0,6
17	412384202	COG WHEEL
18	412546501	HOLDER
19	412056011	SCREW TAPITTE M3*5 TORX
20	412526101	HOOP SENSOR BOARD
21	412558301	CABLE HOLDER
22	412056012	SCREW TAPITTE M4*6 TORX
23	412546401	CALIBRATION LEVER
24	412524601	GEAR WHEEL
25	735311020	C-WASHER
26	412526701	COG BELT Y-UNIT
27	412524001	STEP MOTOR CPL.

Q

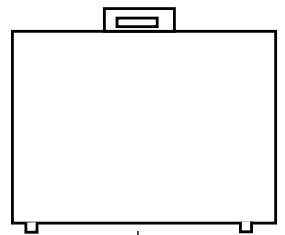
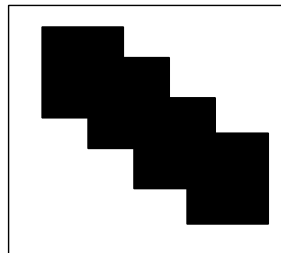
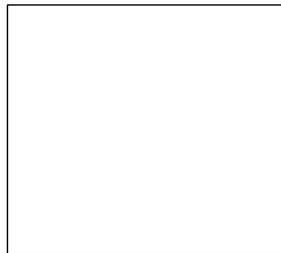


8

9

10

11



12

13

14

15

1	412527102	EMBROIDERY HOOP CPL 240*150
2	412399001	NUT, EMBROIDERY FRAME
3	411981401	WASHER 6*3,2*0,5
4	412446901	GRIP SCREW EMBROIDERY FRAME
5	412579701	GRIP SCREW
6	412446801	SCREW EMBROIDERY FRAME
7	413095703	USB EMBROIDERY STICK 256MB
8	412537301	DESIGN BOOK, EMBROIDERY UNIT
9	412537401	EMBROIDERY TEMPLET 100*100
10	412674001	EMBROIDERY TEMPLET 150*240
11	412565801	ZIPPER BAG
12	412565401	SEWING KIT EMBROIDERY, DESIGN
13	412607101	EMBROIDERY DISCS
14	412651801	SET OF CLIPS CPL (10X)
15	412517804	EMBROIDERY BOX CPL.