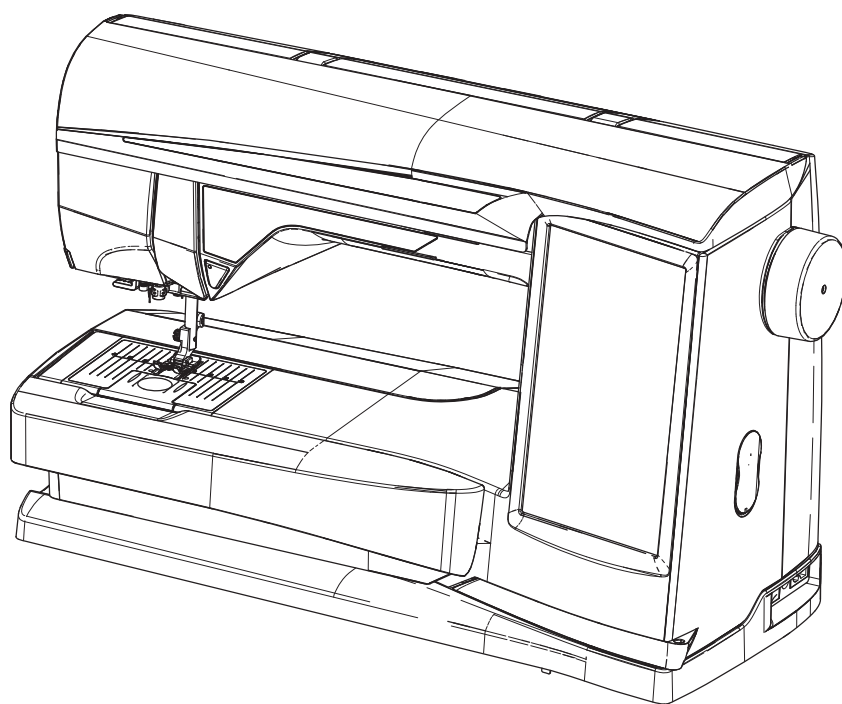


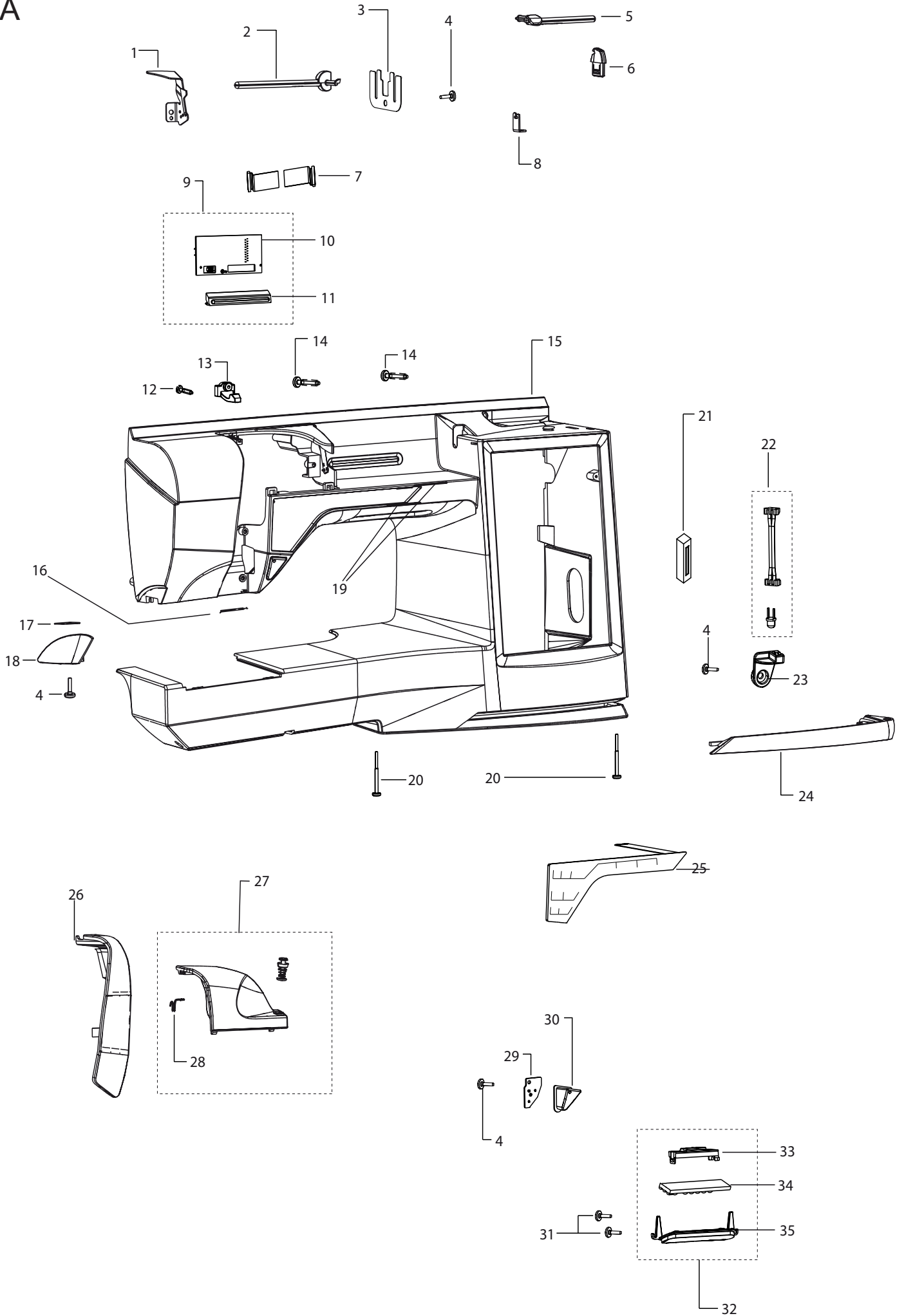
Parts list



Designer Diamond

Designer Diamond

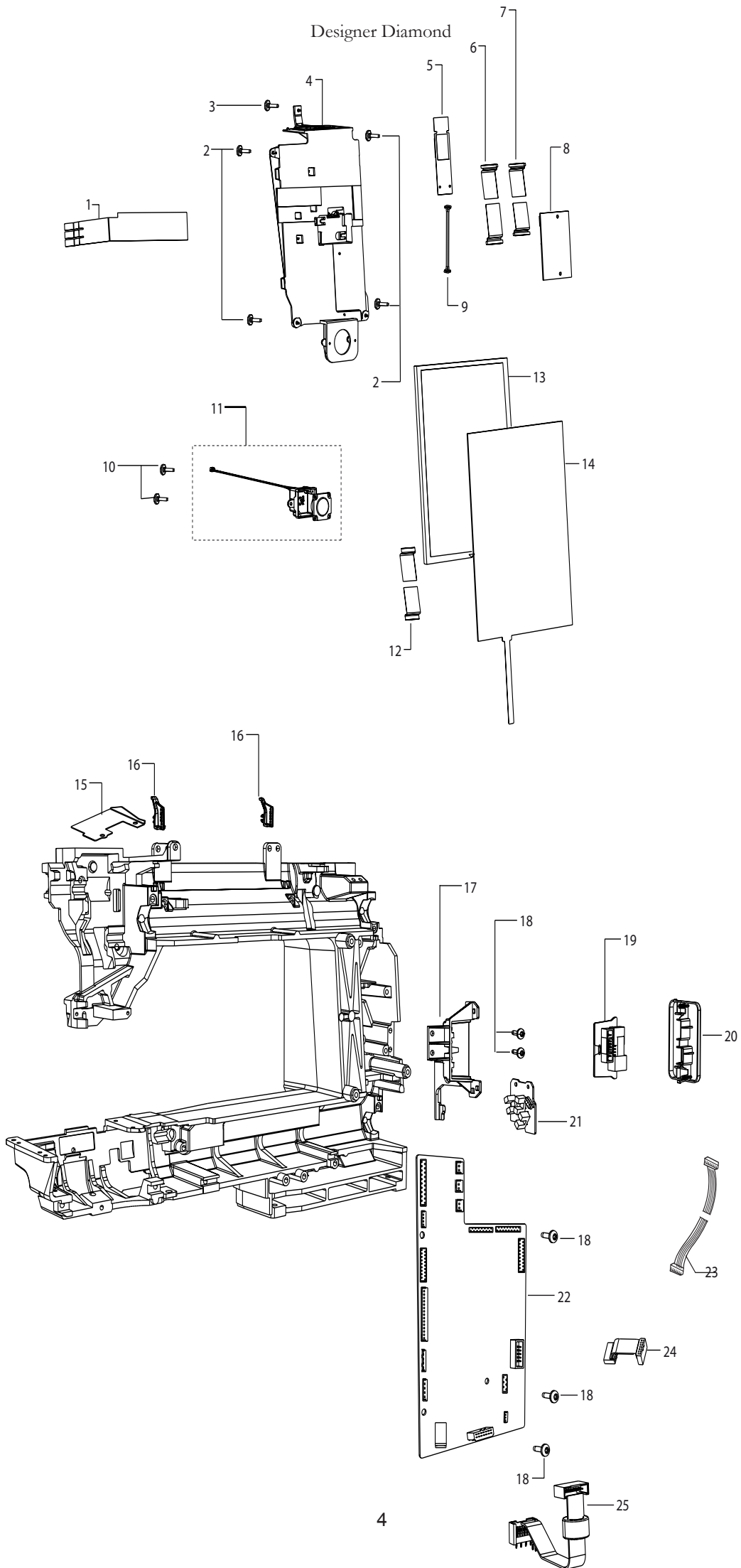
A



1	412981302	THREAD GUIDE CPL.
2	412735901	REEL PIN
3	412735201	PLATE SPRING
4	411966820	SCREW 30*10 FZB KOMBITORX
5	413123701	THREAD REEL PIN
6	413022501	COVER THREAD KNIFE CPL. WIN. AV.
7	412546920	CABLE ASSEMBLY (20P)
8	413147601	THREAD GUIDE BOBBIN WINDING
9	413125304	LED LIGHT CPL.
10	413145401	CONNECTOR BOARD, KEYBOARD
	413145402	CONNECTOR BOARD, KEYBOARD
11	413123501	LED-WINDOW
12	411966803	SCREW PT 30*12 FZB TORX
13	413147501	HOOK THREAD TENSION COVER
14	411966810	SCREW PT 40*20 FZB TORX
15	413122703	FRONT COVER
16	413124601	THREAD SUPPORT
17	9303227205000	KNIFE
18	413124101	THREAD KNIFE HOLDER
19	412558001	THREAD SUPPORT
20	411966812	SCREW PT 40*40 FZB TORX
21	413188601	FERRITE
22	413163701	LED, DECORATIVE STRIP
23	413180901	CONSOLE DIODE
24	413123801	DECORATIVE STRIP, PANEL
25	413146001	KEYBOARD CPL. SEWING HEAD
26	413123001	THREAD GUIDE
27	413124701	THREAD TENSION COVER CPL.
28	413160101	THREAD GUIDE
29	413145701	BOARD, REVERSE BUTTON
30	413124501	REVERSE BUTTON
31	9303311855000	SCREW 3*8
32	413125102	LED LIGHT CPL.
33	413133001	LED HOLDER C
34	412789701	LED UNIT
35	413123401	LED WINDOW

B

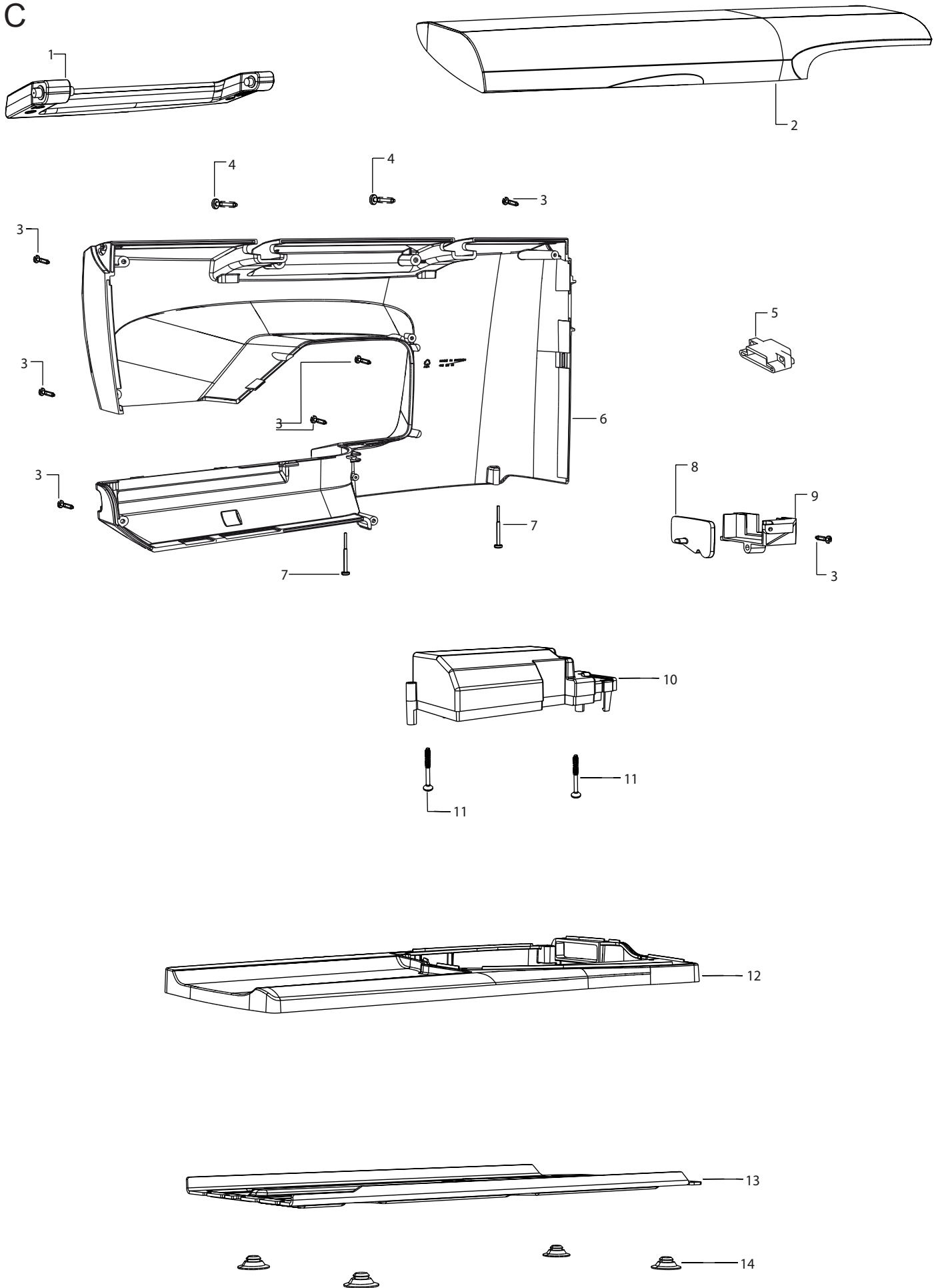
Designer Diamond



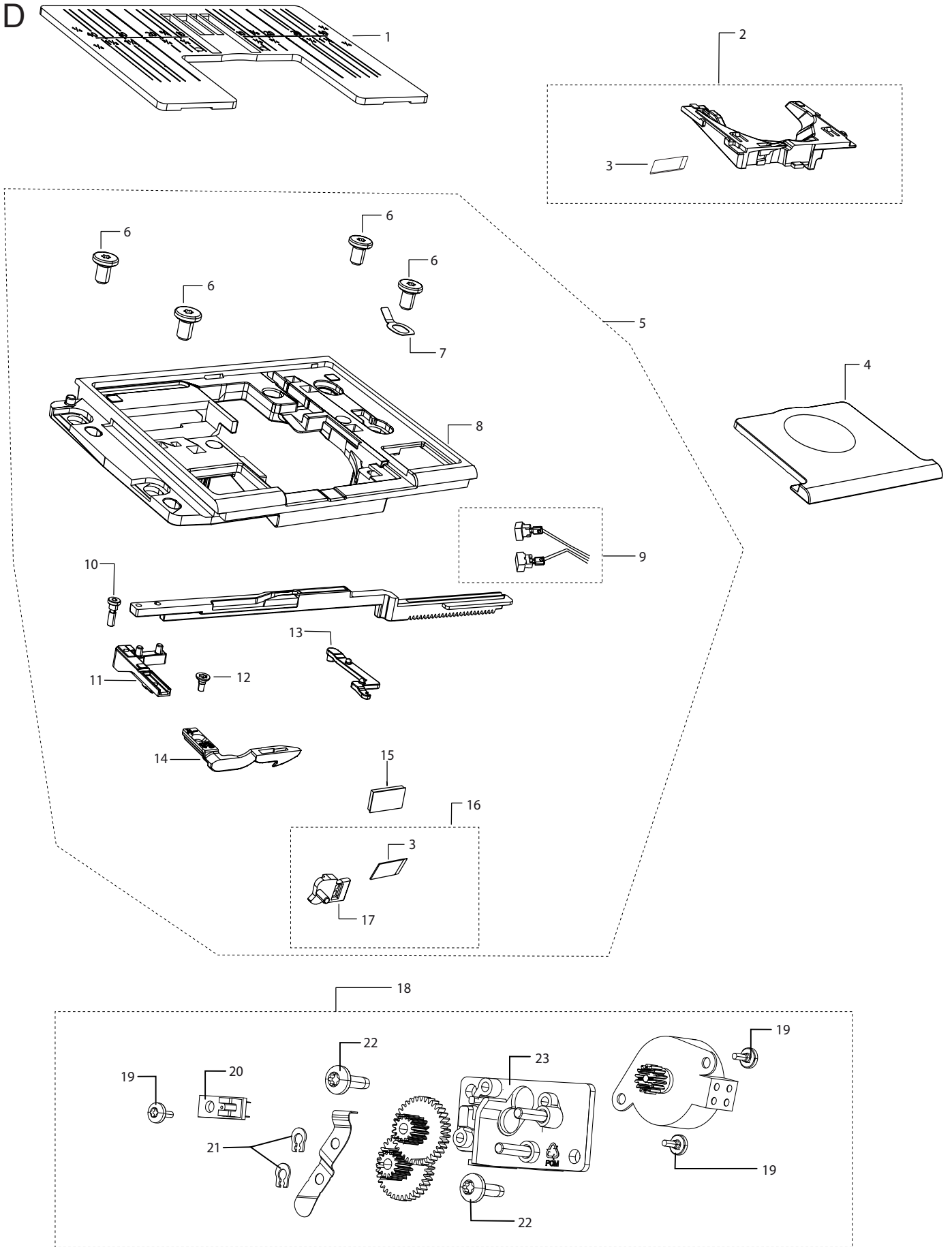
1	413163801	GROUNDING PLATE DISPLAY
2	411966801	SCREW PT 30*7,5 FZB TORX
3	411966821	SCREW PT 18*10 FZB TORX
4	413123904	CONSOL DISPLAY
5	413172301	INVERTER
6	412546914	CABLE ASSEMBLY (14P)
7	412546915	CABLE ASSEMBLY (16P)
8	413145101	CONNECTOR BOARD, DISPLAY
9	412538007	CABLE DISPLAY
10	411966823	SCREW PT 18*5 FZB
11	413050002	LOUDSPEAKER BOX CPL.
12	413146401	CABLE, DISPLAY
13	413145901	DISPLAY
14	413124401	TOUCH PANEL
15	413286401	THREAD GUIDE
16	413024201	CABLE CLAMP
17	412985501	HOLDER
18	412056006	SCREW TAPITTE M4*12 TORX
19	413024401	USB BOARD DUAL CPL.
20	413024801	COVER, USB DUAL
21	412986401	SENSOR BOARD, ASS.
22	413051846	CONTROL BOARD
23	412546913	CABLE ASSEMBLY (6P)
24	413108801	CABLE, USB
25	412349703	CABLE TRANSF-CONTROL BOARD

Designer Diamond

C



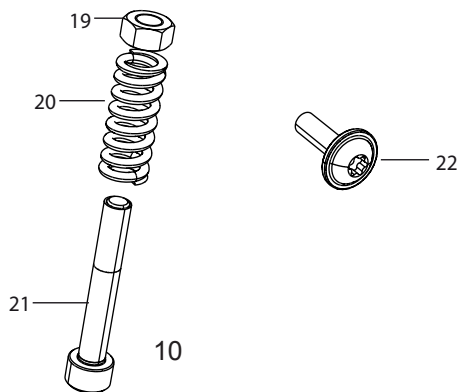
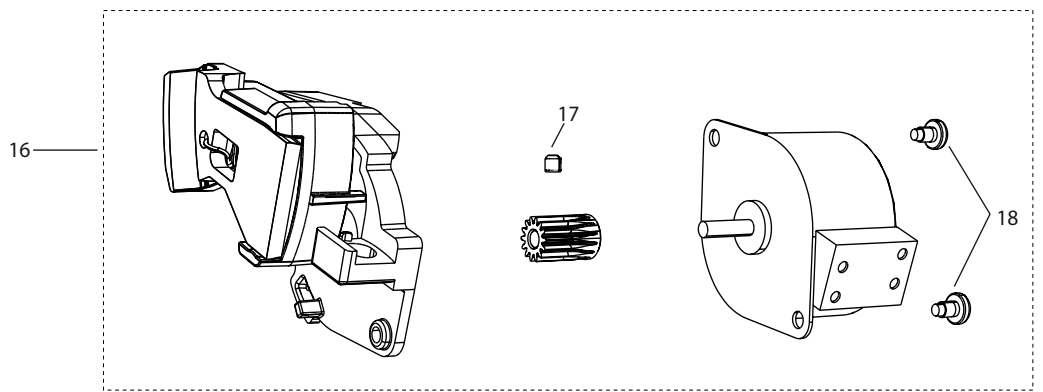
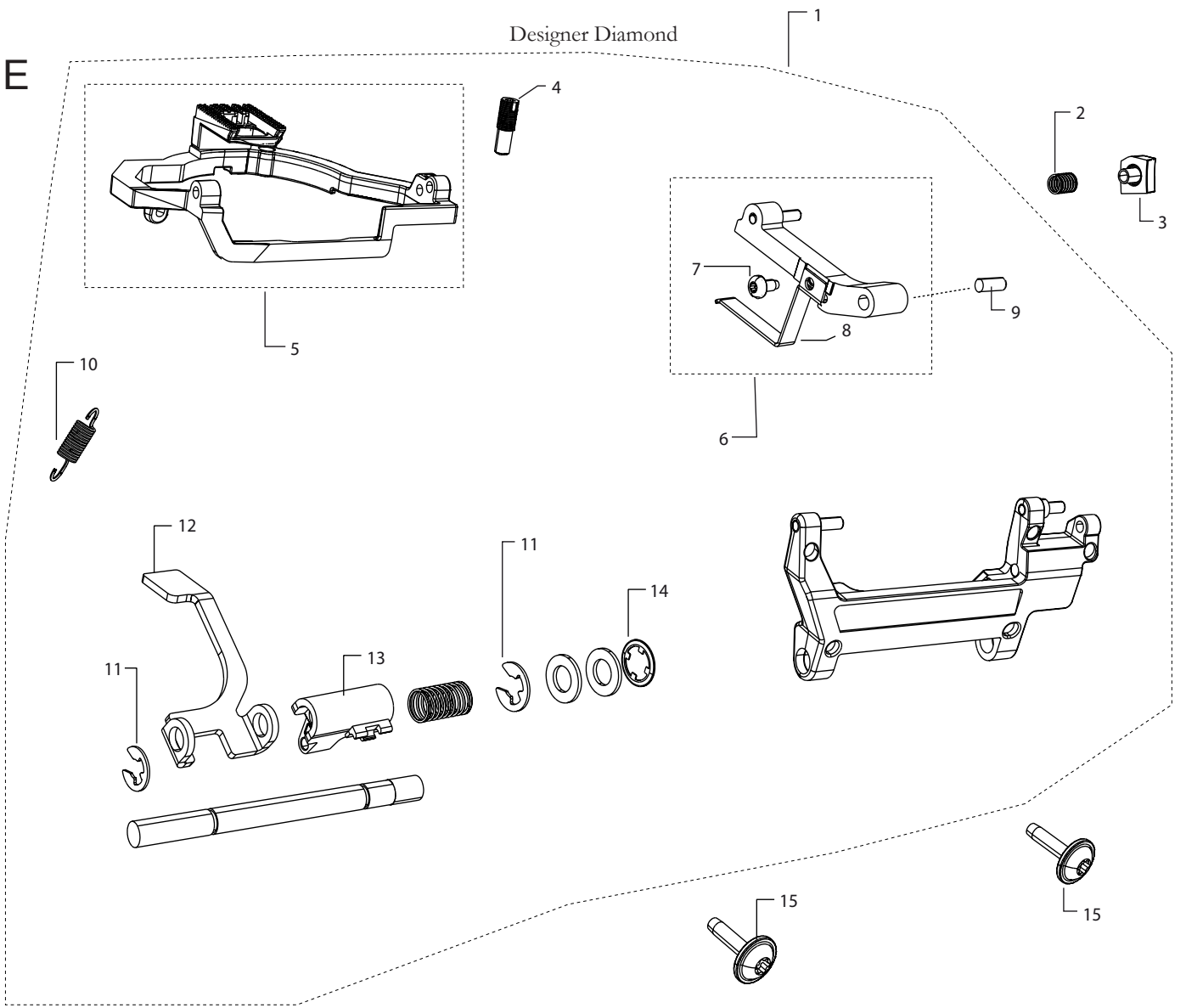
1	412954701	HANDLE
2	413124801	LID CPL.
3	411966803	SCREW PT 30*12 FZB TORX
4	411966810	SCREW PT 40*20 FZB TORX
5	413092602	CABLE ASS. XY SEW. MACHINE
6	412959101	BACK COVER
7	411966812	SCREW PT 40*40 FZB TORX
8	413018501	LID XY
9	413018602	BASKET XY
10	413019203	POWER SUPPLY CPL.
11	411967107	SCREW PT FS 40*35 FZB TORX
12	412959202	BOTTOM COVER
13	412954501	BOTTOM PLATE
14	412305001	RUBBER FOOT, BASE PLATE



1	412964201	STITCH PLATE HV MM
2	413025601	RETAINER
3	412423701	THREAD CUTTER
4	412963901	BOBBIN COVER
5	412964002	HOOK COVER CPL. CUT. AND SENS.
6	412287903	SCREW
7	412997701	ESD SPRING, STITCH PLATE
8	412964105	HOOK COVER
9	413101502	CABLE ASS.BOBBIN SENSOR
10	413010001	GUIDE PIN
11	413072201	CONNECTING PART, FETCHER
12	412280501	SCREW, COUNTERSUNK
13	413007301	FETCHER UPPER THREAD
14	413007101	FETCHER
15	413116701	THREAD BRAKE
16	413047301	KNIFE HOLDER CPL.
17	413007701	KNIFE HOLDER
18	413007401	STEPPING MOTOR CPL.
19	411966828	SCREW PT 30*6 FZB TORX
20	413072501	CUT SENSOR ASS.
21	735612440	COMPRESSION RINGS Ø3
22	412056006	SCREW TAPTTTE M4*12 TORX
23	413007502	MOTOR PLATE CPL.

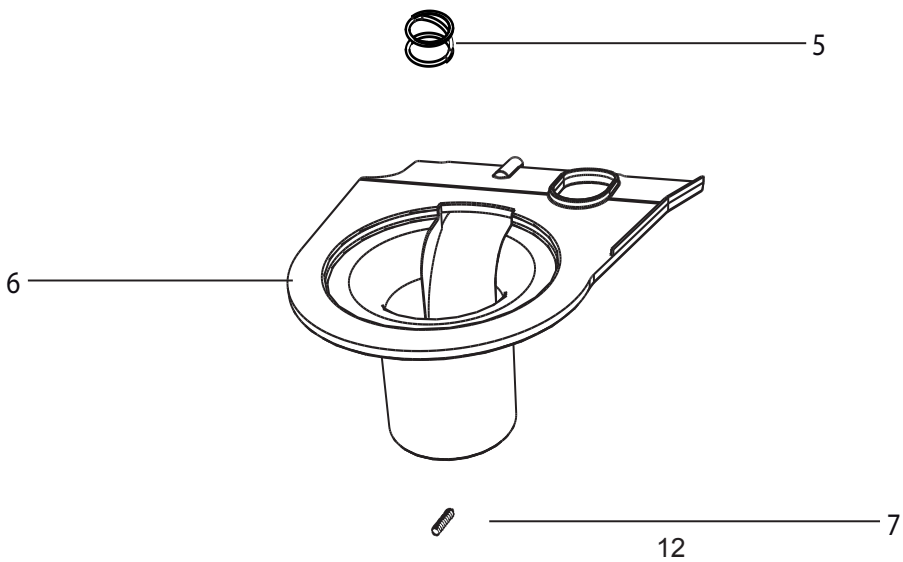
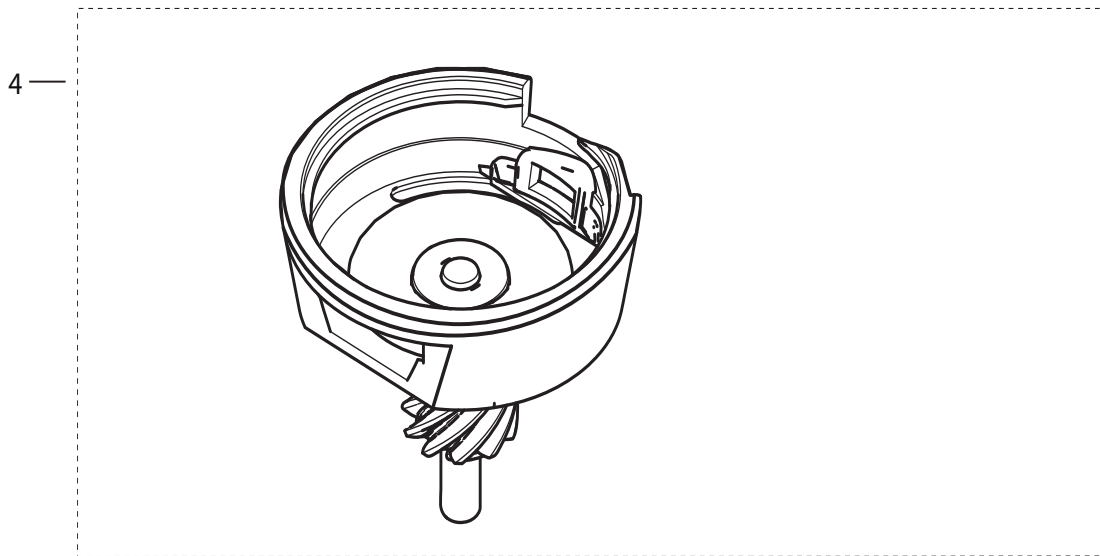
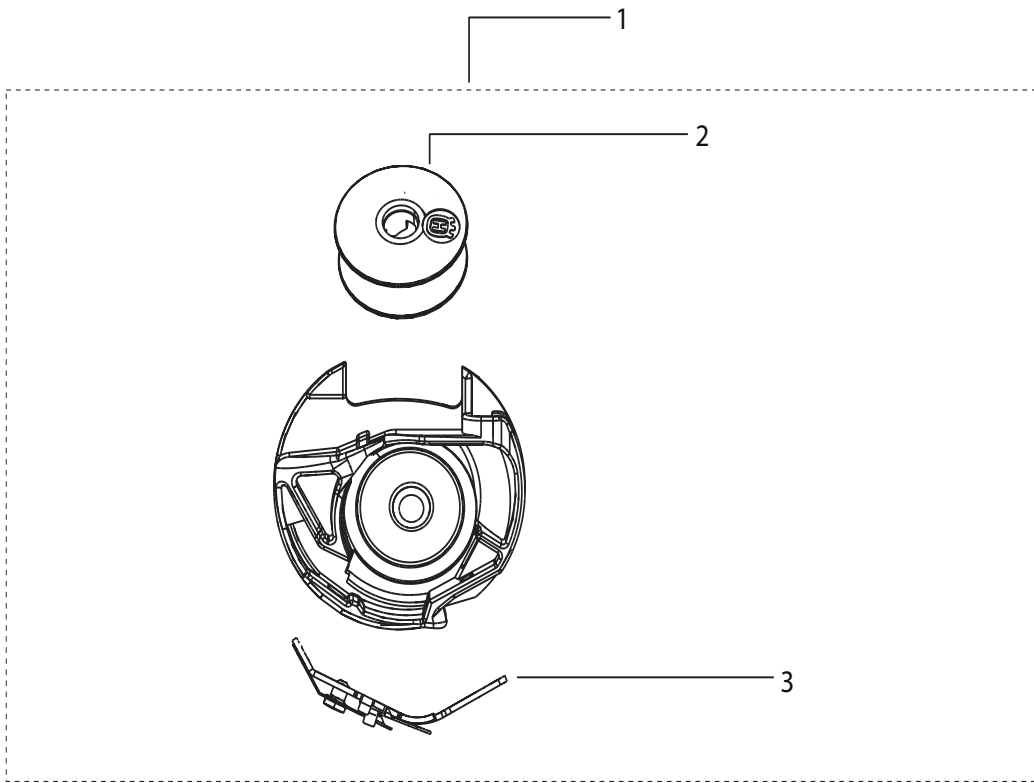
Designer Diamond

E



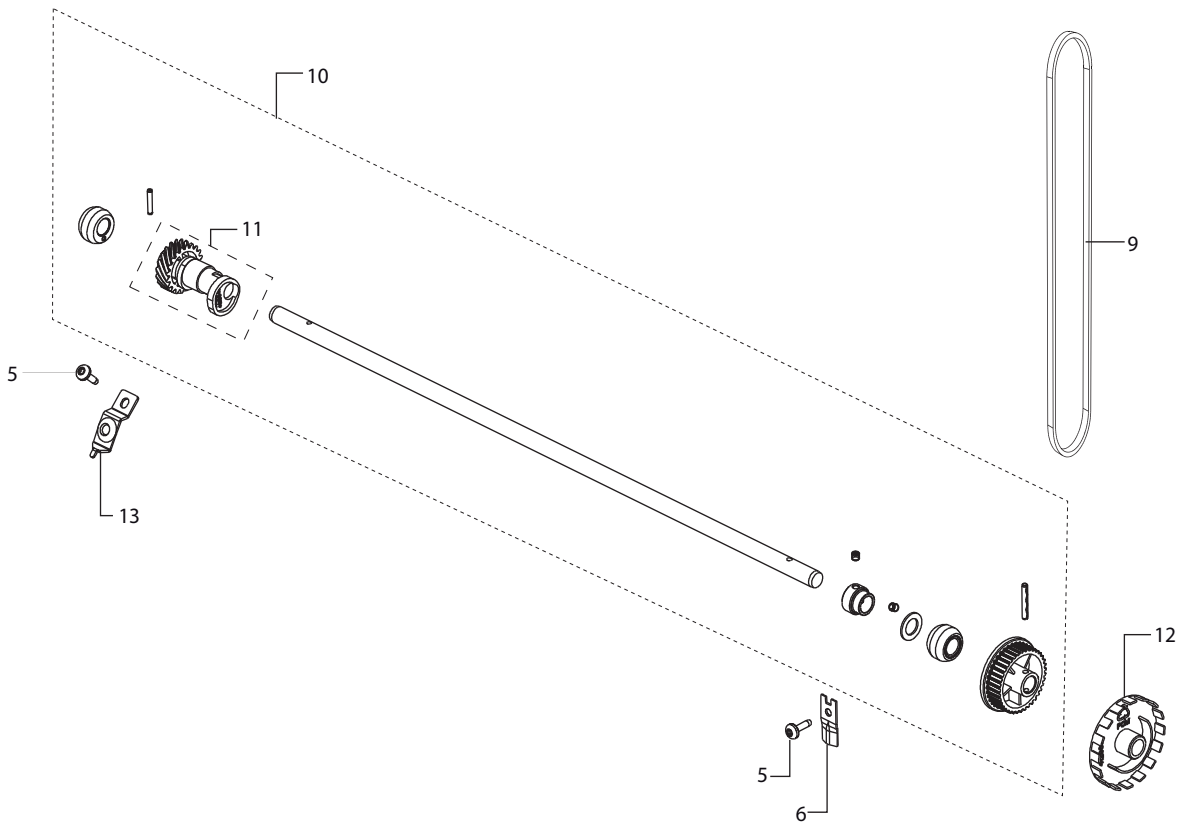
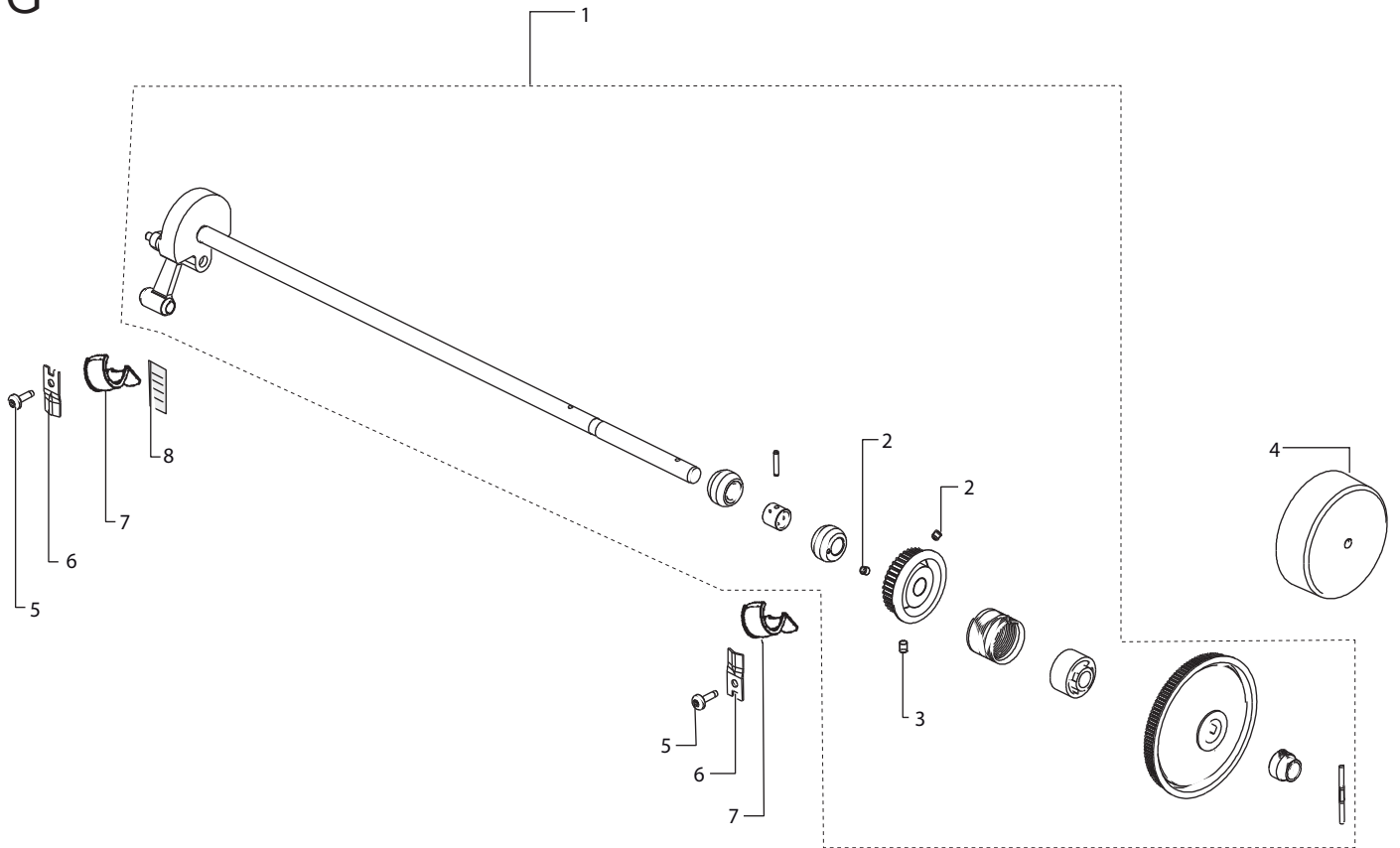
1	413269102	FEED UNIT PART
2	412961701	SPRING, SLIDING BLOCK
3	412961801	BLOCK, GUIDE
4	412962801	ADJUSTING SCREW FEED DOG
5	412963002	FEED DOG CPL. HV SINTERED
6	412961601	LINK,CARRIAGE FEED CPL.
7	412056004	SCREW TAPTTTE M3*6 TORX
8	412961501	SPRING, FEED
9	412316023	INA PIN NRB 4*19,8 0-2UM
10	413270001	TENSION SPRING, FRAME FEED DOG
11	735310920	SNAP RING E-5
12	412962401	LEVER, LIFT FEED
13	413034201	INSERT, LEVER FEED LIFT
14	412368001	LOCK WASHER
15	413169401	COLLAR SCREW TT TORX 4*14
16	412963501	STEPPING MOTOR UNIT, FEED
17	411968703	SET SCREW FLAT, M3*3 TORX
18	412056011	SCREW TAPTTTE M3*5 TORX
19	413025401	NUT M5*0,5
20	412963601	SPRING
21	412963701	SCREW BALANCE ADJUSTMENT
22	413034402	COLLAR SCREW M4*10, LEFT HAND

F



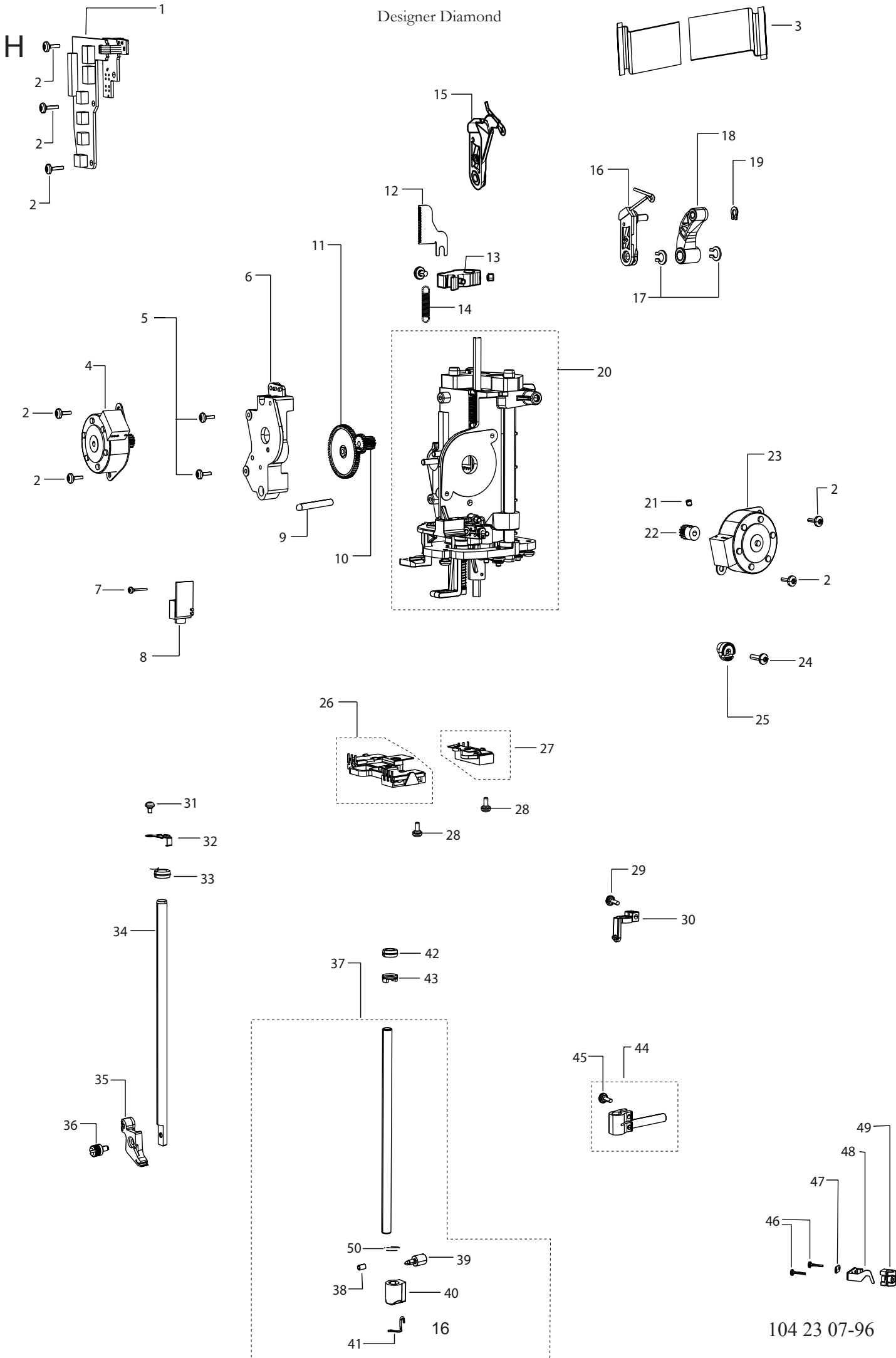
- 1 413058901 BOBBIN CASE CPL.
- 2 413182545 BOBBIN
- 3 412471601 THREAD TENSION CPL.
- 4 412876902 HOOK CPL. WITH SHAFT
- 5 412930101 SPRING, HOOK
- 6 412964502 DUST COVER
- 7 728528705 SCREW M4*8

G

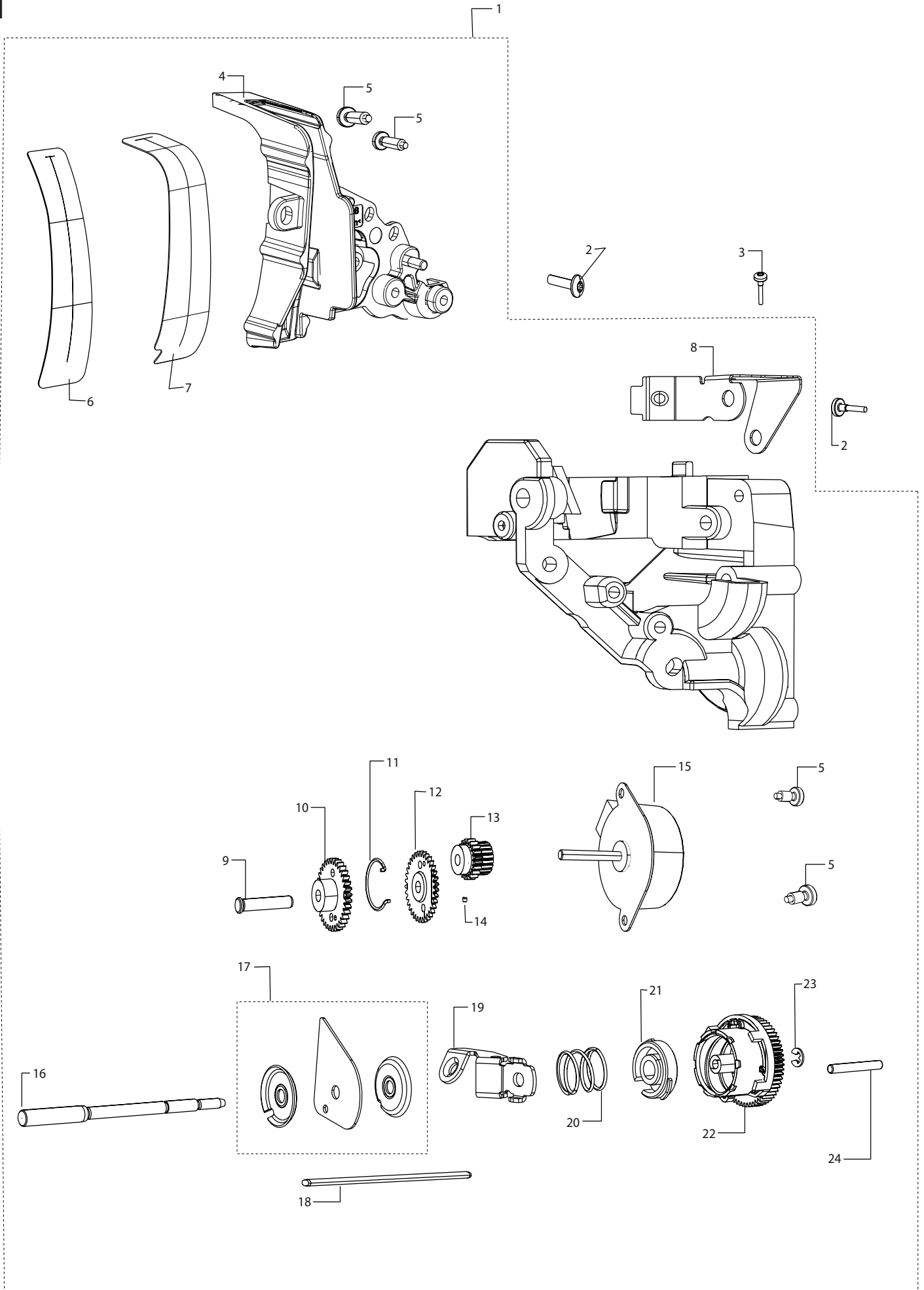


1	412966704	UPPER SHAFT CPL.
2	411968706	SET SCREW FLAT, M4*4 TORX
3	411968807	SET SCREW POINTED, M4*6 TORX
4	412954601	HAND WHEEL
5	412056006	SCREW TAPTTTE M4*12 TORX
6	412328401	CLAMP
7	412558401	ABSORBER
8	412687601	GROUND TAPE
9	413020301	COG BELT UPPER-LOWER SHAFT
10	412967901	LOWER SHAFT CPL.
11	412964401	ECCENTRIC FEED CPL.
12	412968101	SHIELD, REVOLUTION INDICATOR
13	412318101	CLAMP LOWER SHAFT

Designer Diamond

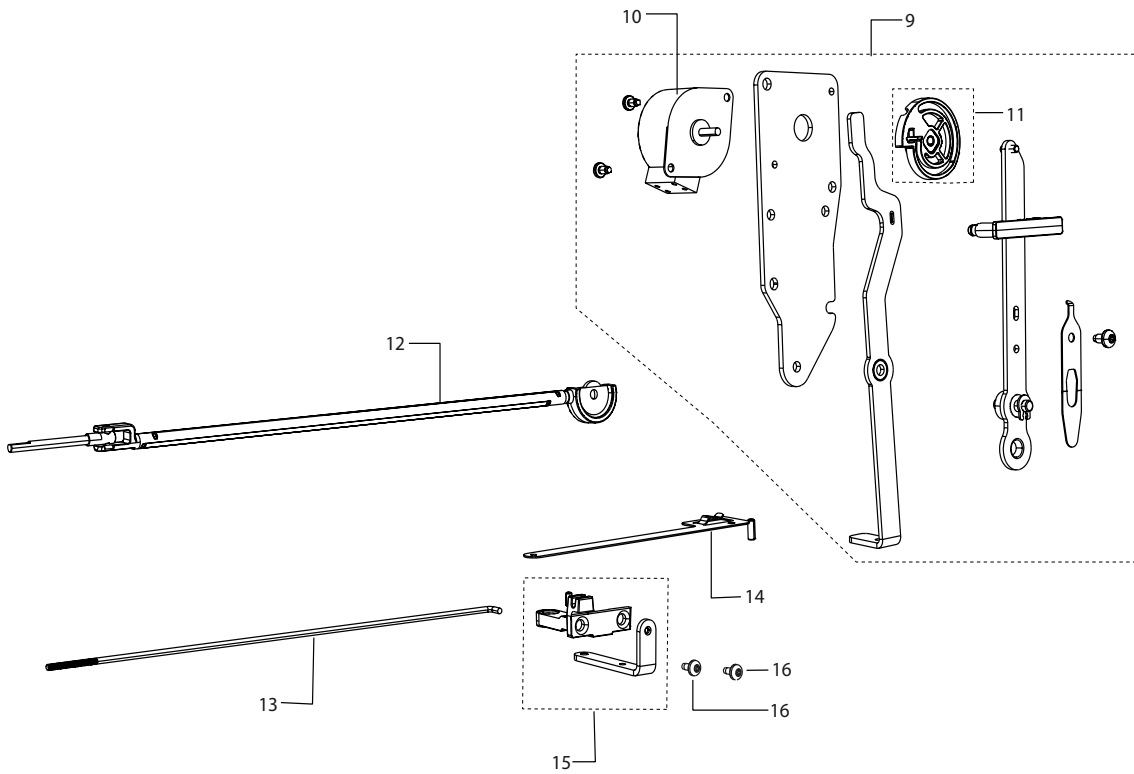
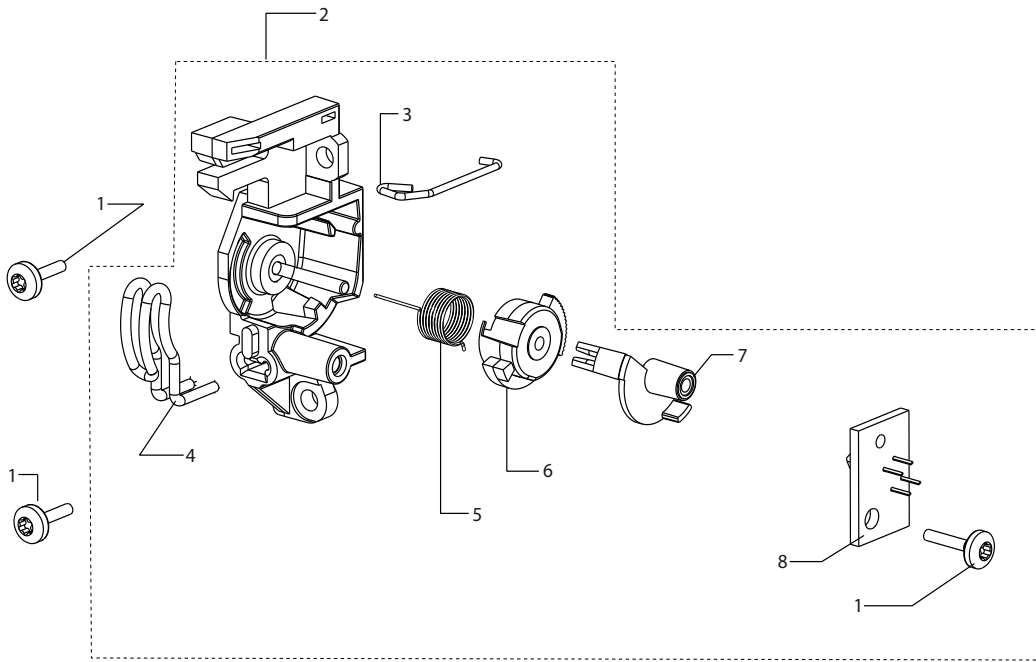


1	413067003	CONN.BOARD SERVO SENS.
2	411966801	SCREW PT 30*7,5 FZB TORX
3	412546912	CABLE ASSEMBLY (18P)
4	413005901	STEPPING MOTOR CPL.
5	411966820	SCREW 30*10 FZB KOMBITORX
6	412974201	GEAR HOUSE, SERVO
7	411966821	SCREW PT 18*10 FZB TORX
8	413031001	BUTTONSENS. CONN. ASS.
9	412316010	INA PIN NRB 3*17,8 0-3UM
10	412974301	GEAR WHEEL SERVO PRIM
11	412974401	GEAR WHEEL SERVO SEC.
12	412973901	SHIELD, PRESSER FOOT SERVO
13	413261601	GUIDE, SERVO CPL.
14	413137602	SPRING, PRESSER FOOT PRESSURE
15	413300302	TAKE UP LEVER,VER 2
16	412394401	THREAD TAKE UP, VER 1
17	735615340	COMPRESSION RINGS Ø6
18	413047401	LINK
19	735613640	COMPRESSION RINGS Ø4
20	413244201	SEWING HEAD CPL.
21	411968703	SET SCREW FLAT, M3*3 TORX
22	413057201	GEAR, Z-Z
23	412993901	STEPPING MOTOR
24	412211404	SCREW M3*10 TORX
25	412966501	CALIBRATION KNOB
26	413040202	LED HOLDER CPL. LEFT
27	413040102	LED HOLDER CPL. RIGHT
28	412211402	SCREW M3*6 TORX
29	413019001	SCREW K30*8 PT WN 1452 S
30	412993501	STROKE LIMITER
31	412211401	SCREW M3*4 TORX
32	413060301	CLIPS, GABLE LOWER
33	412500601	BEARING
34	412285403	PRESSER BAR
35	412616101	ANKLE WITH SPRING CLIP
36	412409701	SCREW PRESSER SHAFT
37	412581703	NEEDLE BAR CPL.
38	728521905	SOCKET SET SCREWS, FLAT POINT
39	412732301	SCREW NEEDLE CLAMP
40	412581802	NEEDLE CLAMP CPL.
41	412581901	THREAD GUIDE
42	412501501	BEARING 10/6,35-4
43	412504701	LOCKING DEVICE
44	412993603	CROSS HEAD CPL.
45	412211403	SCREW M3*8 TORX
46	411966825	SCREW PT 16*8 FZB TORX
47	412876701	WASHER, NEEDLE THREADER
48	413238402	NEEDLE THREADER
49	413053601	HOLDER, NEEDLE THREADER 17
50	411750303	STOP, NEEDLE CLAMP



1	412940203	THREAD TENSION ASS.
2	411966807	SCREW PT 40*10 FZB TORX
3	411966803	SCREW PT 30*12 FZB TORX
4	413232201	SHIELD, TAKE UP LEVER ASS.VER 2
5	411966820	SCREW 30*10 FZB KOMBITORX
6	413017901	PROTECTION THREAD TAKE-UP, VER 1
7	413218502	SEALING, TAKE UP LEVER,VER 2
8	412940602	CONTACT SPRING THREAD TENSION
9	413056002	SHAFT, THREAD TENSION
10	413059101	INTERMEDIATE GEAR, FIXED
11	412442801	SPRING GEAR WHEEL
12	413059202	INTERMEDIATE GEAR, MOVABLE
13	412742401	GEAR, FIXED
14	411968703	SET SCREW FLAT, M3*3 TORX
15	412993903	STEPPING MOTOR
16	412940101	SHAFT, THREAD TENSION
17	413106402	THREAD DISK KIT
18	413113201	PIN
19	412940501	RELEASE LEVER,THREAD TENSION
20	413159501	COMPRESSION SPRING, THREAD TENSION
21	412741701	NUT, THREAD TENSION
22	412940404	SPRING HOUSE THREAD TENSION
23	735310620	LOCK WASHER 2.3
24	412316060	INA PIN NRB 3*23,8 0-2UM

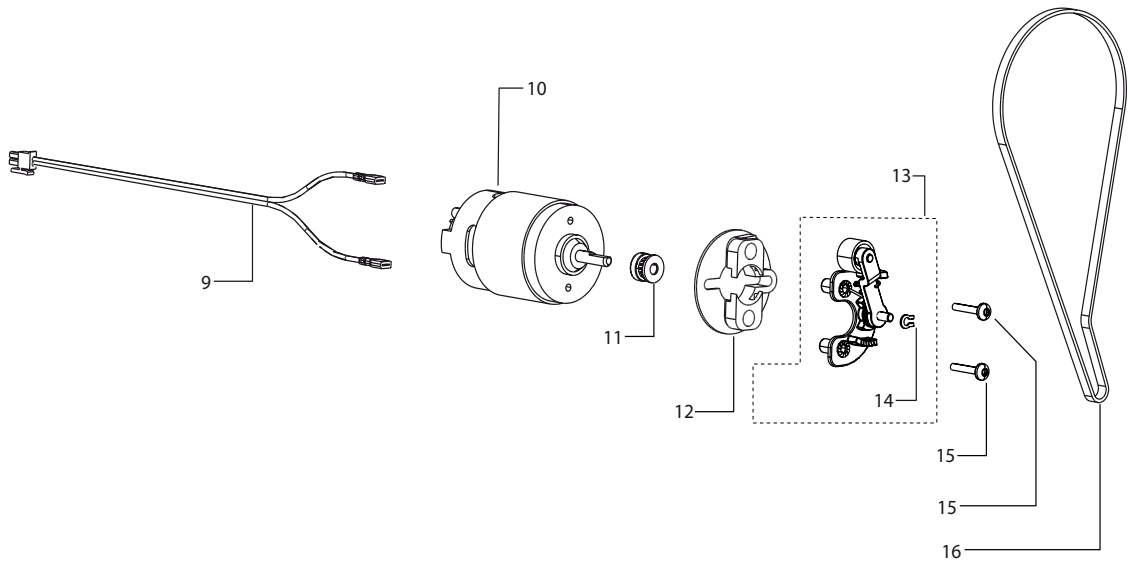
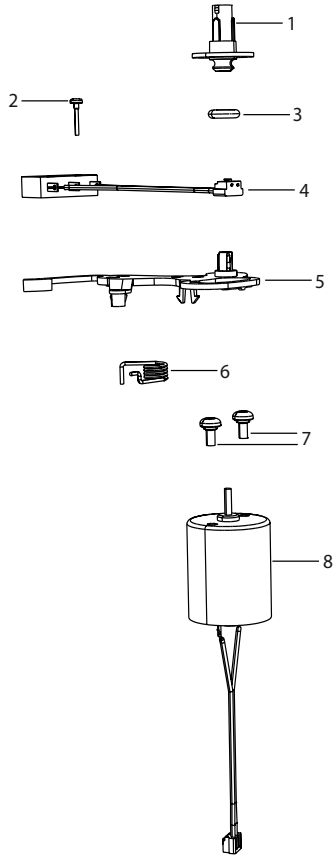
J



1	411966820	SCREW 30*10 FZB KOMBITORX
2	413004003	THREAD SENSOR CPL.
3	413004501	THREAD CONTROL, THREAD SENSOR
4	412519301	THREAD GUIDE
5	412519202	CHECK SPRING
6	413004301	ADJUSTING SLEEVE
7	413004402	SENSOR THREAD TENSION
8	413017603	THREAD SENSOR ASSEMBLY
9	413060001	SIDE FEED, FEED DOG DROP CPL.
10	412997902	STEPPING MOTOR, SIDE FEED
11	413060101	CAM WHEEL CPL.
12	413033701	PULL ROD, SIDE FEED CPL.
13	413034101	PULL WIRE, FEED DOG DROP
14	413033401	TRANSM.LINKAGE, FEED DOG DROP
15	413034501	LINKAGE UNIT, FEED DROP
16	411967212	SCREW TAPTTTE FS M4*12 TORX

Designer Diamond

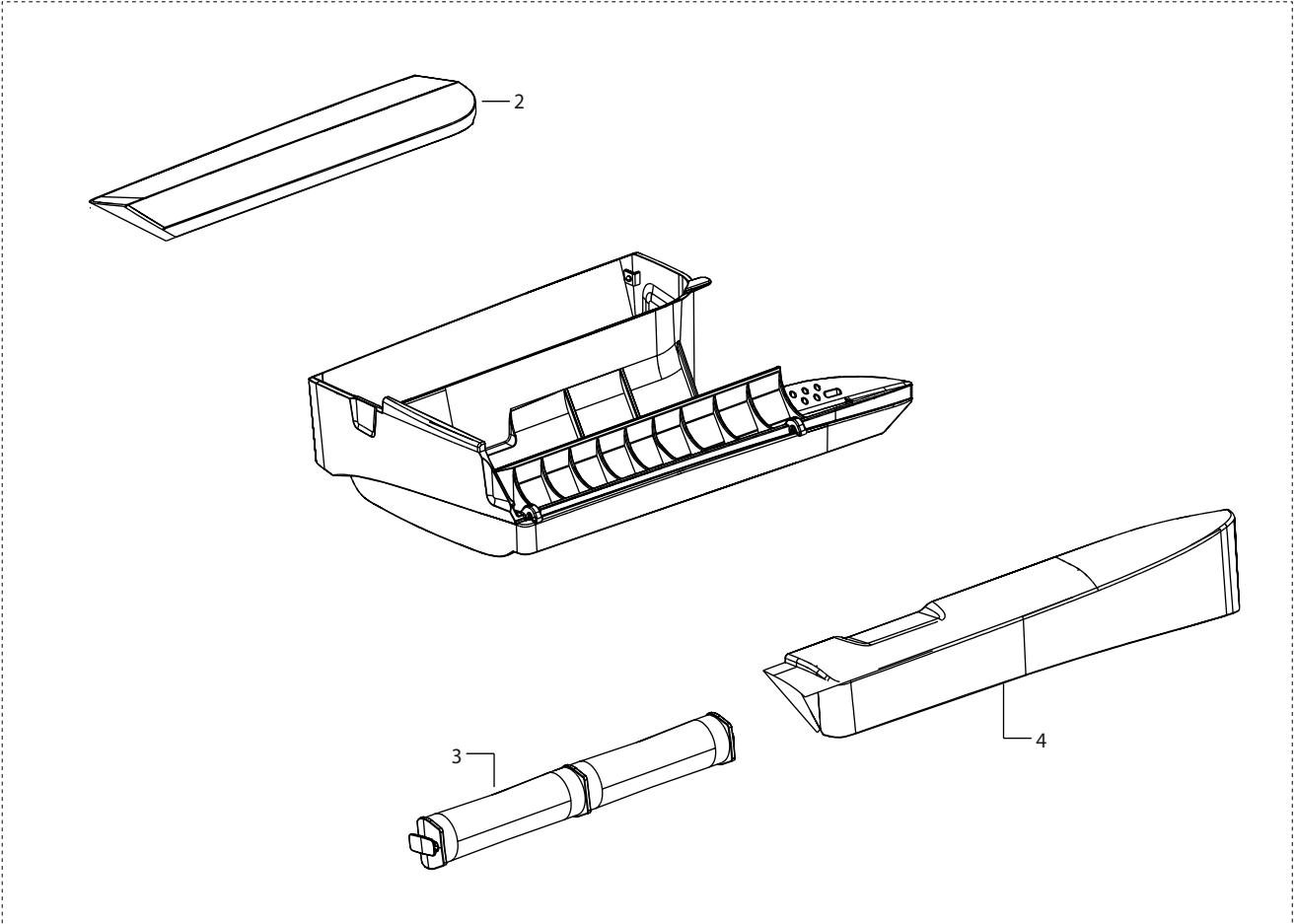
K



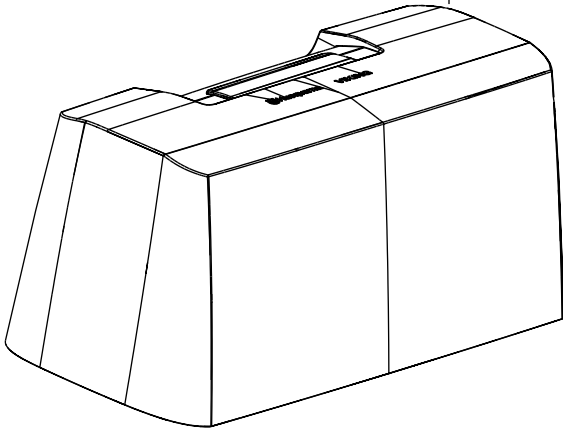
1	413062101	WINDING SHAFT
2	411966821	SCREW PT 18*10 FZB TORX
3	412305502	O-RING
4	413049103	MICRO SWITCH CPL.
5	413127401	LEVER, WINDING STOP
6	412757701	TORSION SPRING, WINDING STOP
7	412211401	SCREW M3*4 TORX
8	413093002	BOBBIN WINDING MOTOR CPL.
9	413056901	CABLE MAIN MOTOR
10	9233011191000	ENGINE DOMEL
11	412353302	DRIVING WHEEL MOTOR 350, 400, 500
12	412999901	RUBBER DAMPER, MOTOR
13	412971901	BELT STRETCHER CPL.
14	735213601	LOCK WASHER Ø4,3 TEETH OUT FZB
15	412211415	SCREW M4*20 TORX
16	413020201	COG BELT MOTOR

L

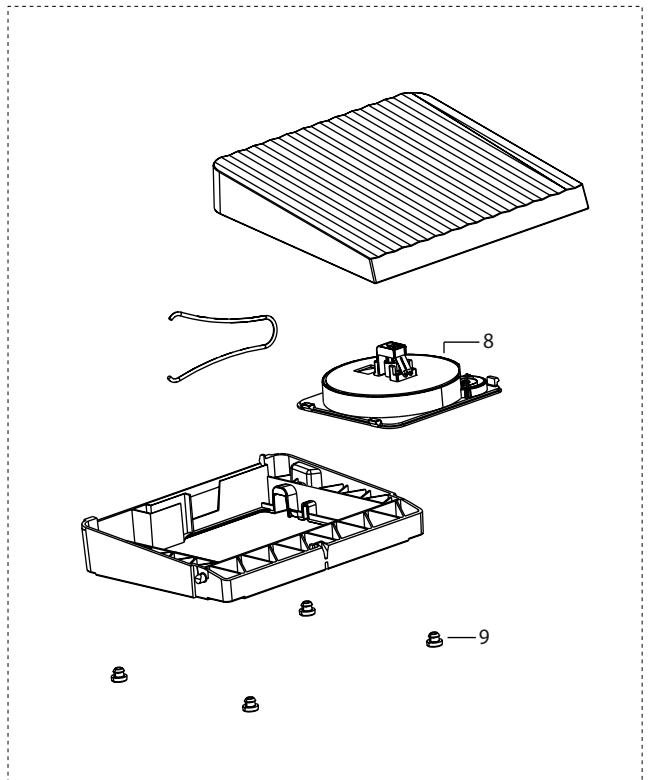
1



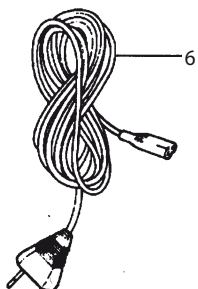
5



7

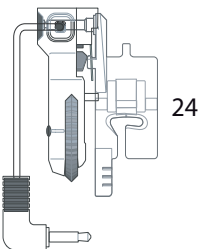
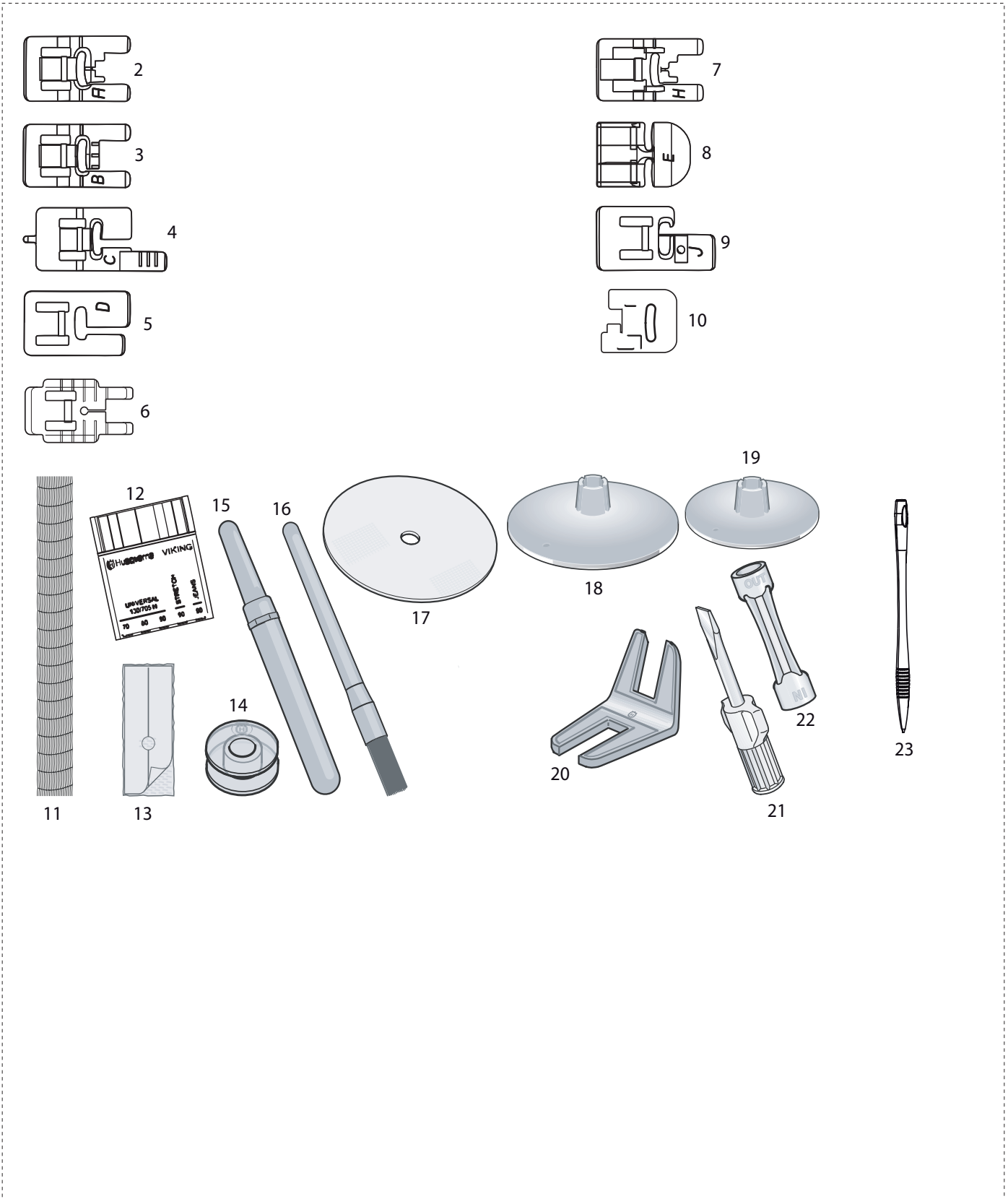
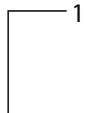


POWER CORD

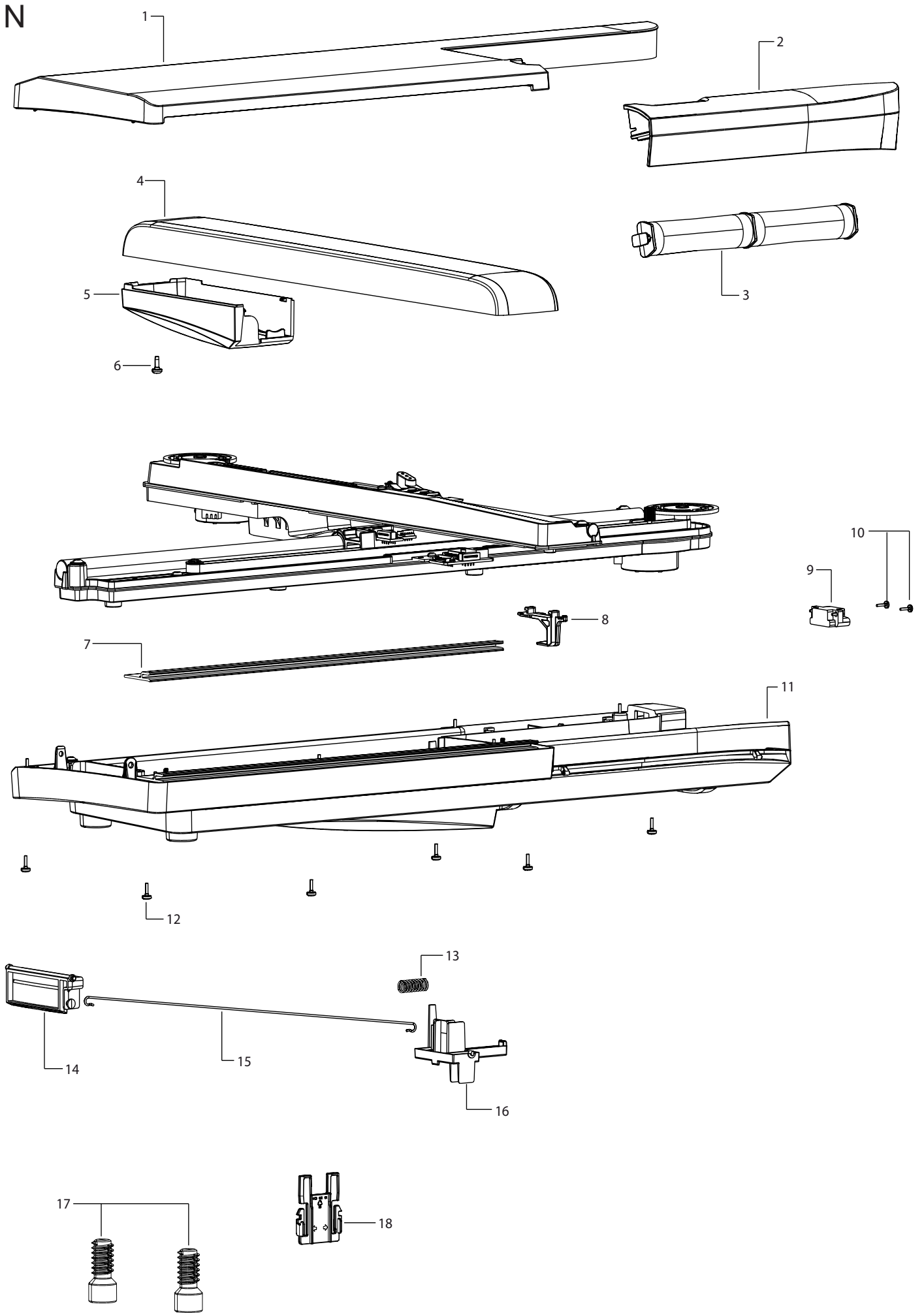


1	413121101	ACCESSORY BOX CPL.
2	413121401	LID BACK ACC.BOX
3	412737401	BOBBIN HOLDER
4	413121301	LID FRONT ACC.BOX
5	413018702	HARD COVER CPL.
6	412157801	NET CABLE 220V
	412157902	NET CABLE 120V JAP
	412157903	NET CABLE 120V
	412158002	NET CABLE GB
	412158101	NET CABLE AU
7	412991404	FOOT CONTROL CPL. WHITE W. WIND
8	412493002	CONTROL UNIT WITH WINDER
9	412184501	FOOT

M



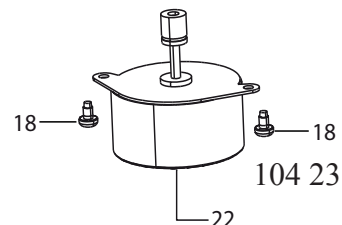
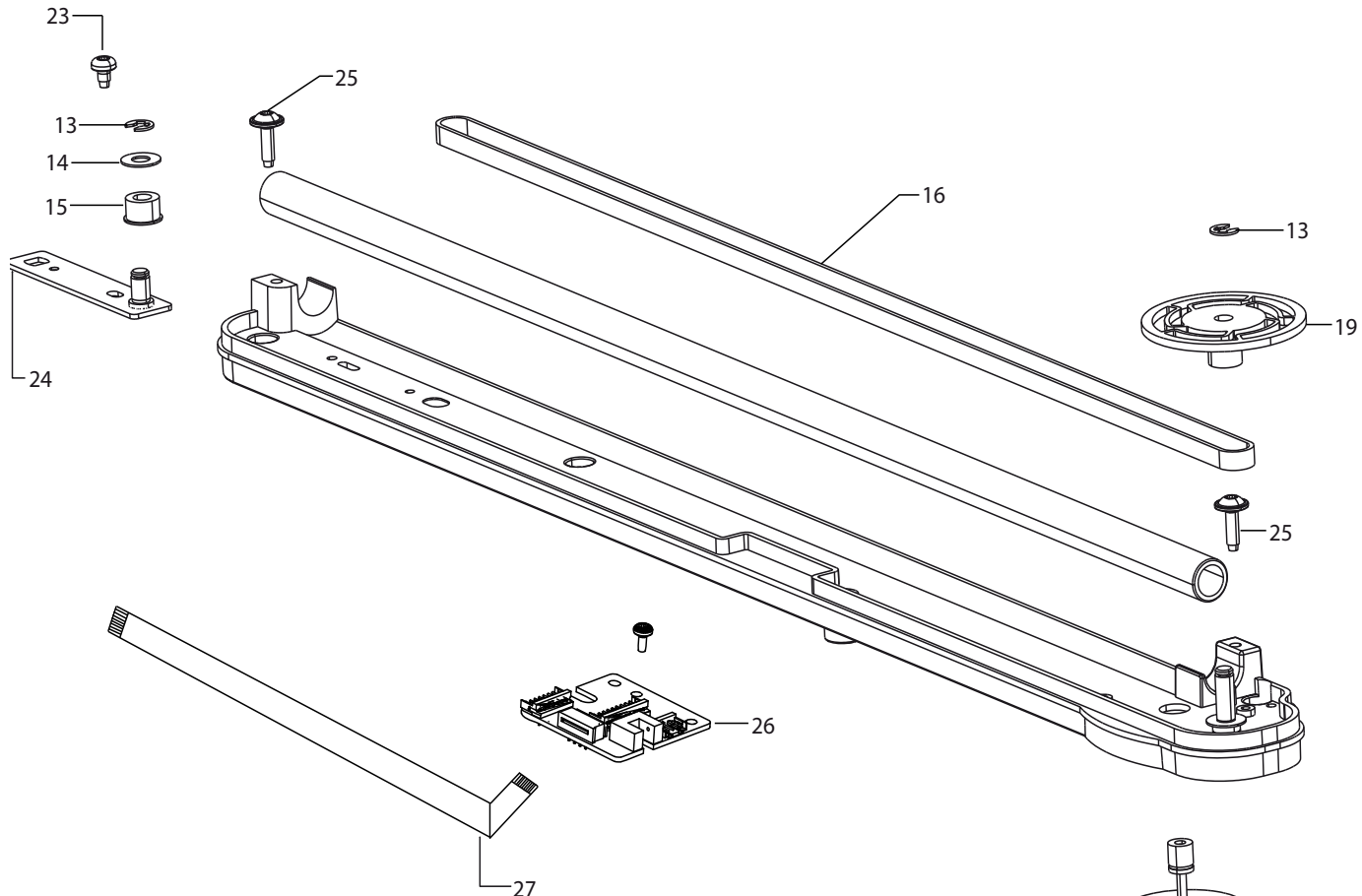
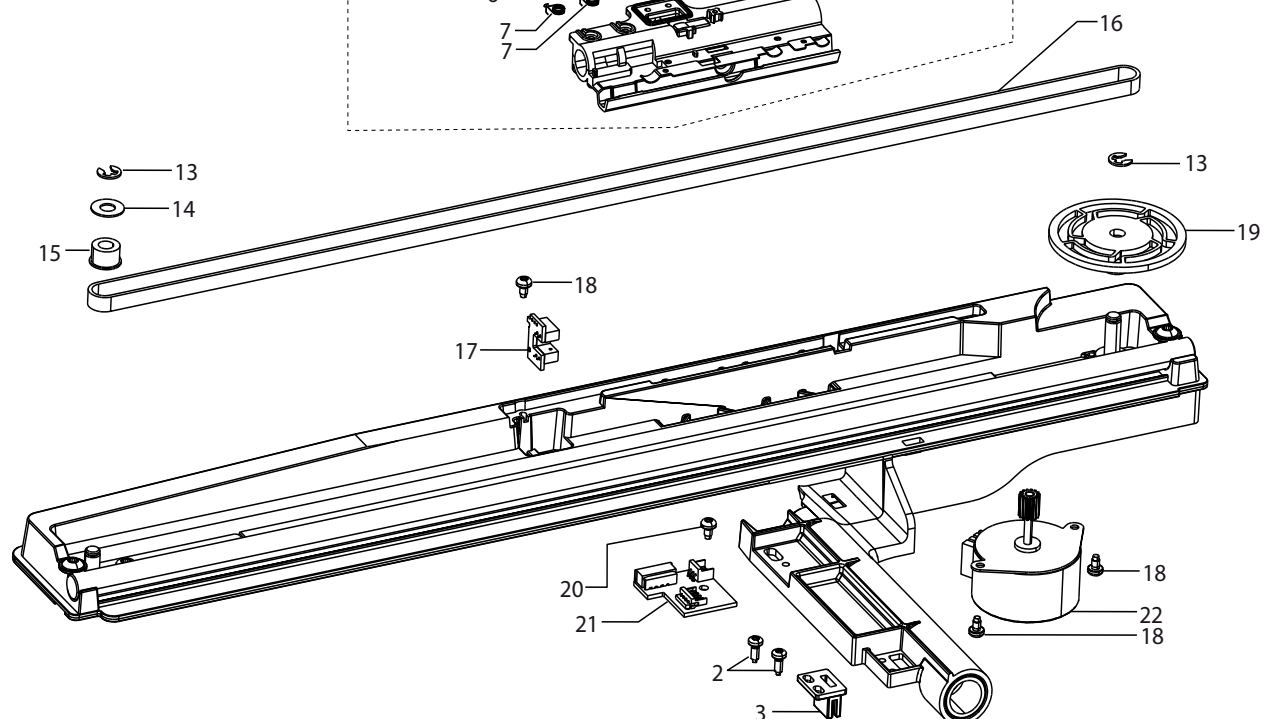
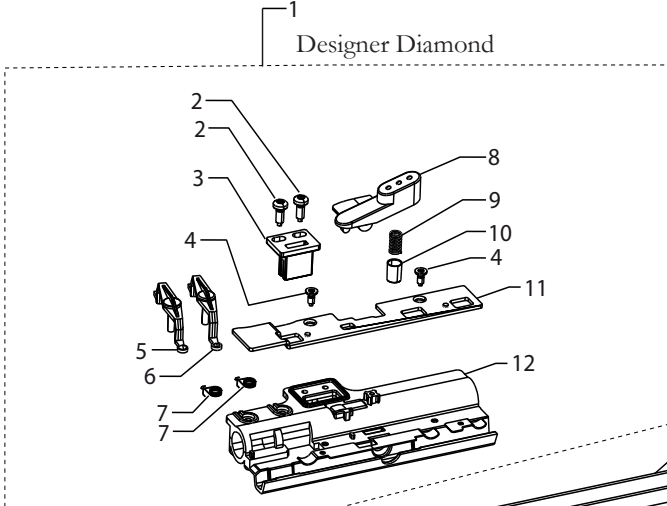
1	413021617	STD. ACC. CPL.
2	412764001	PRESSER FOOT A,7MM
3	413113646	PRESSER FOOT B CPL.
4	412785345	BUTTONHOLE PRESSER FOOT C
5	412380445	BLIND HEM FOOT D
6	412785545	1/4 PIECING FOOT PIN-PAC
7	412796145	SMOOTH GLIDE FOOT H
8	412801545	ZIPPER PRESSER FOOT
9	412380645	EDGING PRESSER FOOT J. PIN PAC
10	412849801	EMBROIDERY FOOT R CPL.
11	412397701	THREAD NET 15*100
12	413150701	NEEDLE BOX 9 NEEDLES, INSPIRA
13	412827401	GLIDE SOLE, BUTTONHOLE FOOT
14	413182545	BOBBIN HV, GREEN
15	401539901	SEAM RIPPER
16	401555501	BRUSH
17	412610701	FELT PAD
18	413051603	SPOOL HOLDER 45 MM
19	413051601	SPOOL HOLDER 22 MM
20	413105601	CLEARANCE PLATE
21	412381501	SCREW DRIVER
22	412601945	GUIDE
23	413171702	STYLUS CPL.
24	412815102	BUTTONHOLE SENSOR FOOT CPL.



1	413120101	COVER TOP, XY-UNIT
2	413120201	LATCH, XY-UNIT
3	412737401	BOBBIN HOLDER
4	413120301	COVER, Y-ARM Y=360
5	413120401	MOTOR COVER Y-ARM,Y=360
6	412056005	SCREW TAPITTE M4*10 TORX
7	413119901	GUIDE, XY-UNIT X=350
8	413119801	SUPPORT ARM, Y-ARM
9	413028801	CABLING, XY-UNIT CPL..
10	411966820	SCREW 30*10 FZB KOMBITORX
11	413120001	COVER, BOTTOM XY-UNIT WHITE
12	411966807	SCREW PT 40*10 FZB TORX
13	412721401	SPRING, LATCH P08-E
14	413027701	HANDLE LATCH
15	413027804	CONNECTING ROD, LATCH X=350
16	413027601	LATCH
17	413028502	FOOT, XY-UNIT CPL..
18	413030101	TRANSPORT LOCKING DEVICE

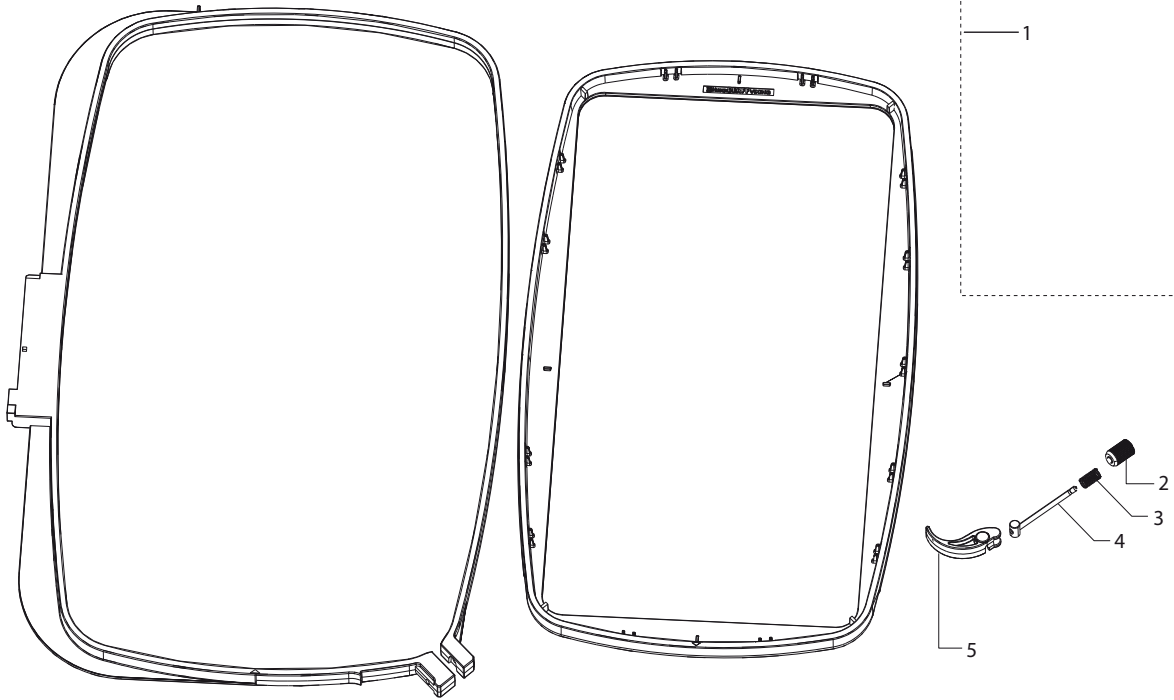
Designer Diamond

O

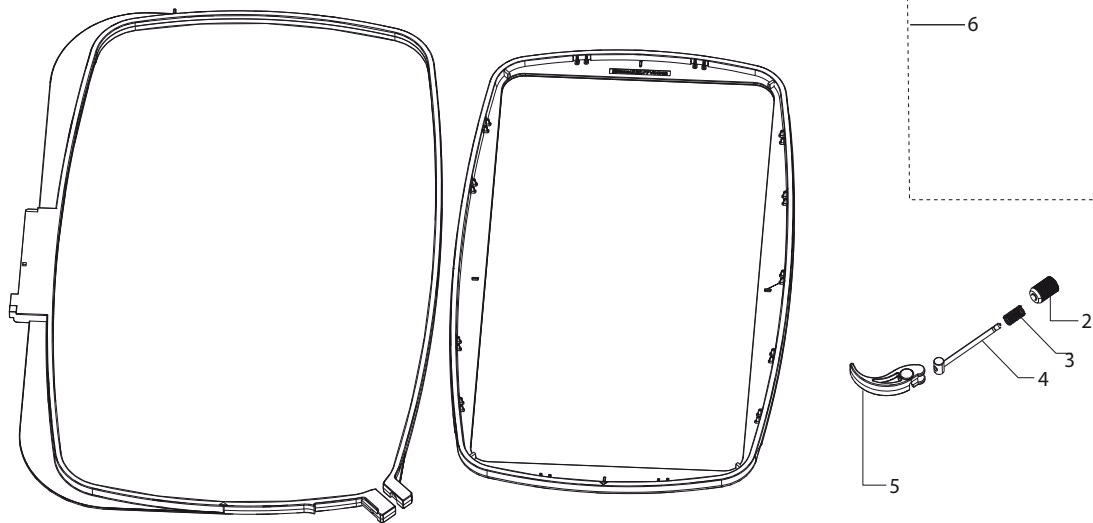


1	413026701	Y-SLED CPL.
2	411966801	SCREW PT 30*7,5 FZB TORX
3	412525301	HOLDER BELT
4	411967306	SCREW PT FS 25*6 OXSV TORX
5	412749801	SENSOR, EMBROIDERY FRAME
6	412525402	SENSOR EMBROIDERY FRAME
7	412555701	SPRING
8	413030201	LOCKING ARM Y-SLED
9	412526601	SPRING
10	412590003	SLEEVE
11	413026901	PANEL Y-SLED CPL.
12	413026801	Y-SLED
13	735310820	LOCK WASHER 4
14	412384301	WASHER 6/13*0,6
15	412384202	COG WHEEL
16	413027201	SYNCHRONOUS BELT XY-UNIT
17	413029601	BOARD, HOOP DETECTION CPL.
18	412056011	SCREW TAPTITE M3*5 TORX
19	412524601	GEAR WHEEL
20	412056001	SCREW TAPTITE M5*14 TORX
21	413029301	BOARD, Y-ARM CPL.
22	412525301	HOLDER BELT
23	413029901	STEPPER MOTOR, XY-UNIT CPL
24	412281904	SCREW FLANGE M4*10 TAPTITE TORX
25	412524901	PLATE, BELT TENSION CPL.
26	412281902	SCREW FLANGE M4*14 TT TORX
27	413029001	BOARD, XY-UNIT CPL 360*350
28	412388106	FLEX CABLE

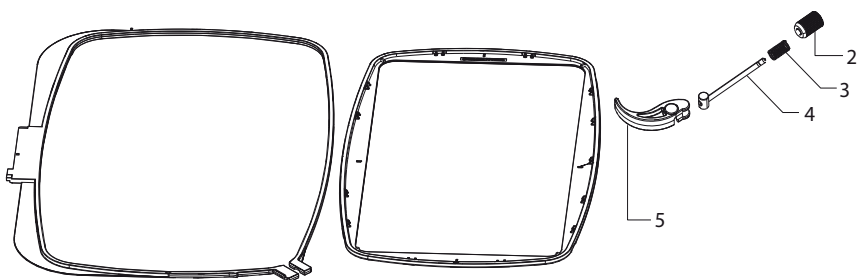
P 360x200



260x200



120x120



- 1 412944501 EMBROIDERY FRAME CPL.360*200
- 2 412996501 NUT EMBROIDERY FRAME
- 3 412620701 SPRING, EMBROIDERY HOOP
- 4 412956204 SCREW CPL.HOOP
- 5 412984701 LOCKING HANDLE EMBR. HOOP
- 6 413116501 EMBROIDERY FRAME 260*200
- 7 412968201 EMBROIDERY FRAME CPL. 120*115