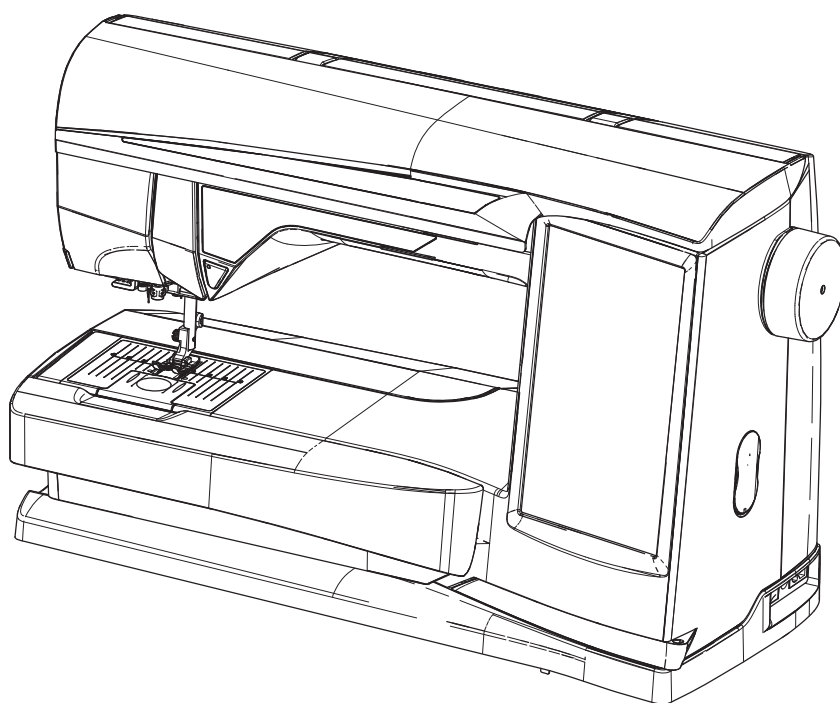
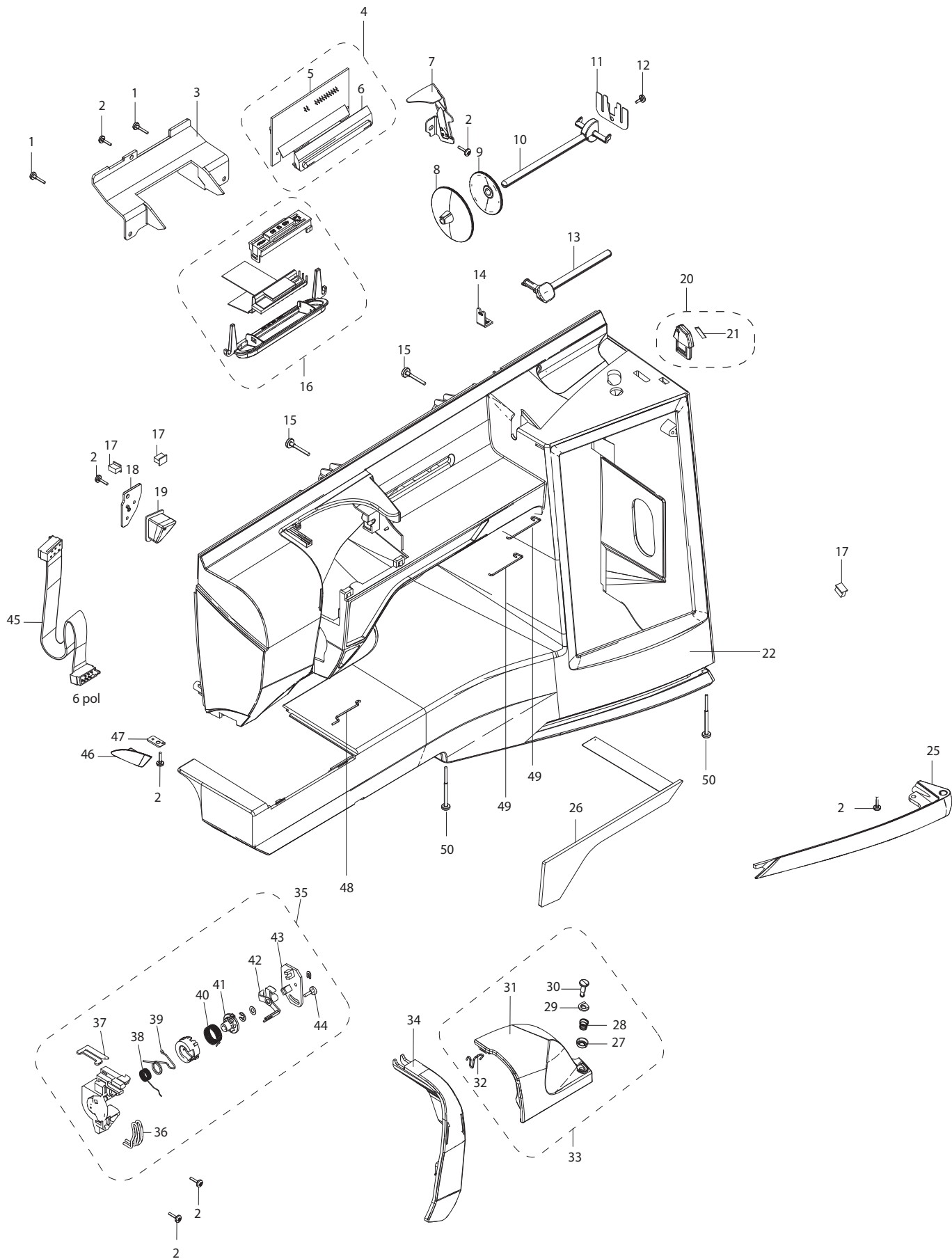


Parts list



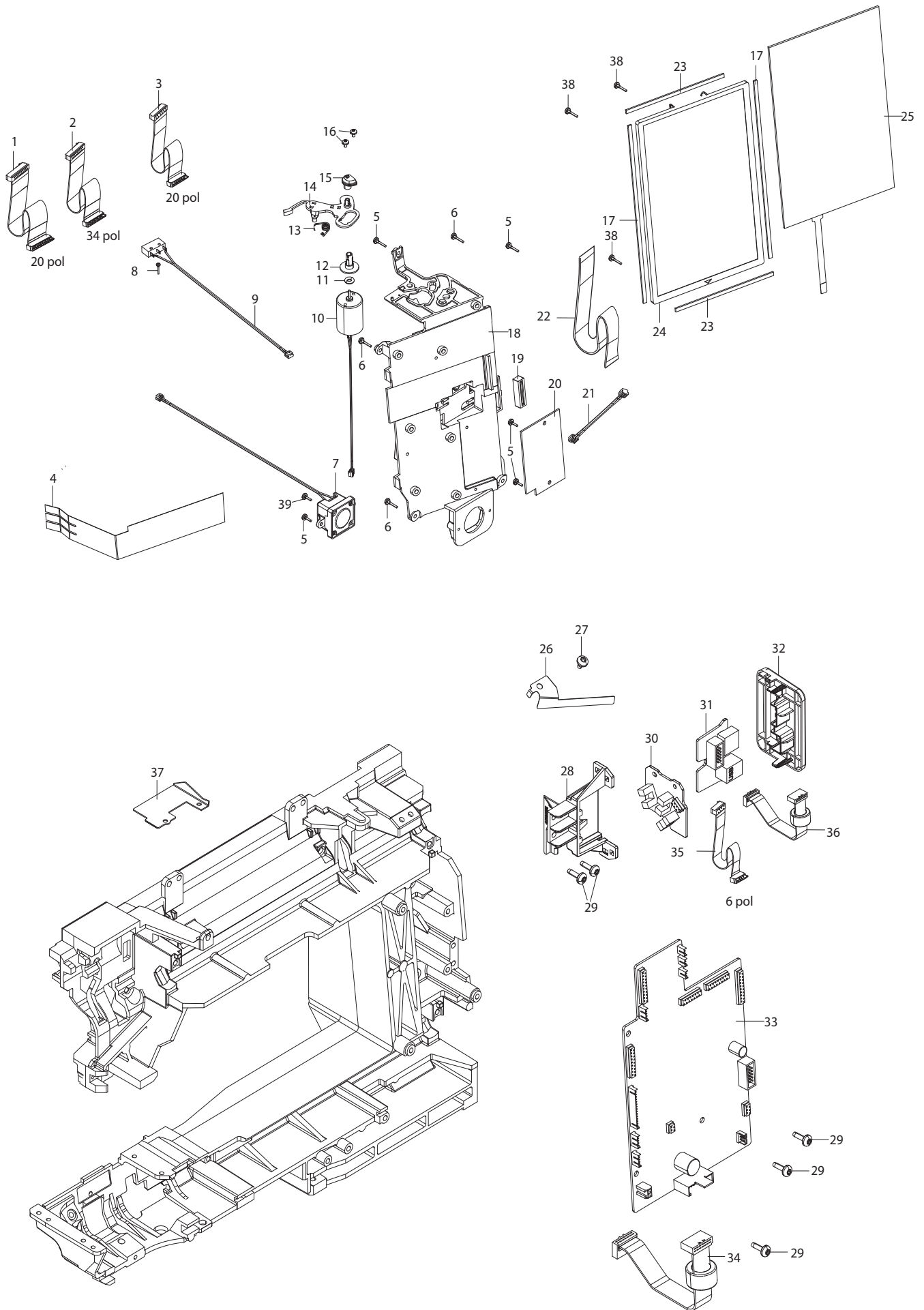
Designer Diamond Royale™

A



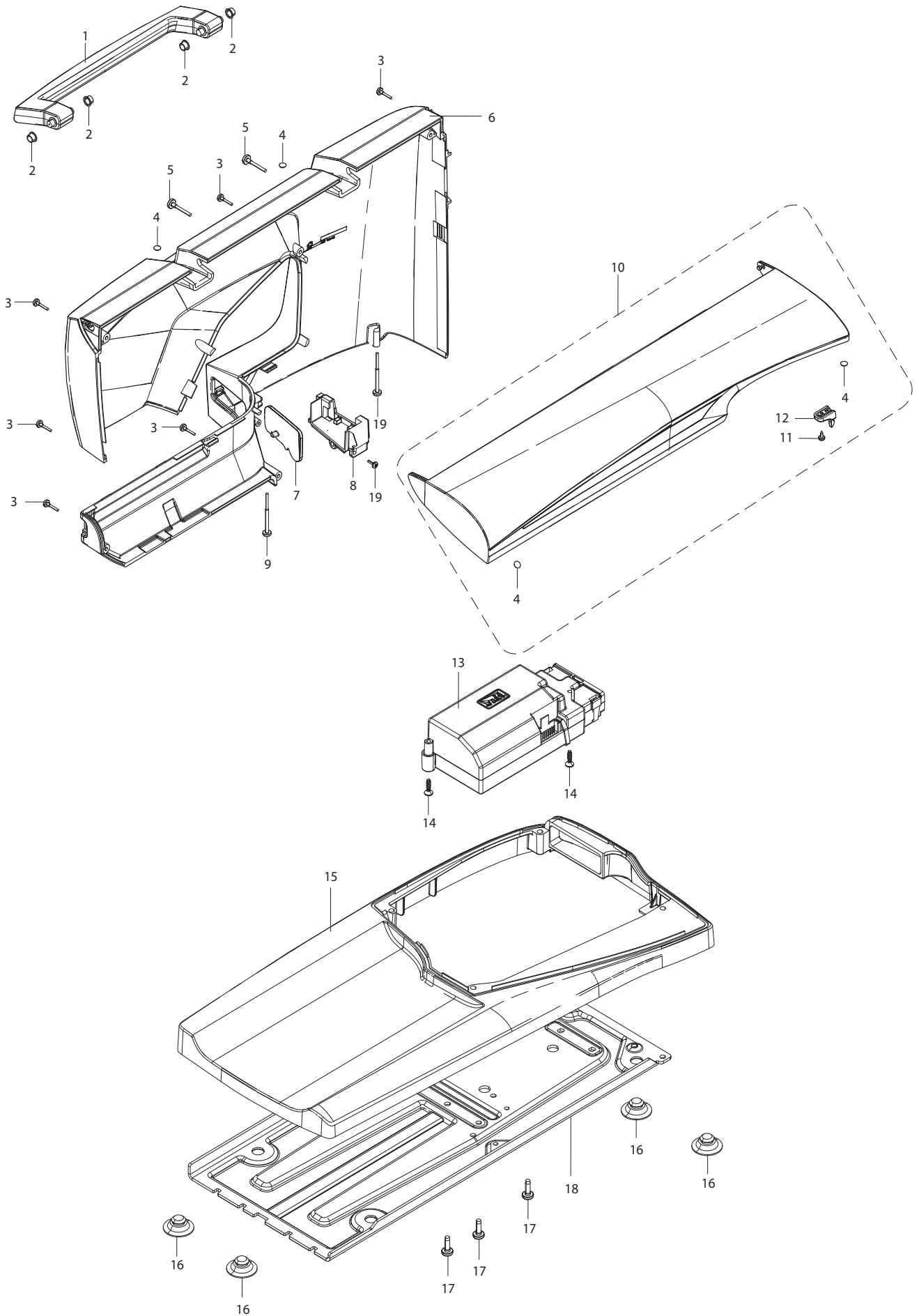
1	411966803	SCREW PT 30*12 FZB TORX
2	411966820	SCREW 30*10 FZB KOMBITORX
3	413181001	CABLE SHIELD
4	413125304	LED LIGHT CPL.
5	413246602	CONNECTOR BOARD FRONT
6	413123501	LED-WINDOW
7	412981302	THREAD GUIDE CPL.
8	413051603	SPOOL HOLDER 45 MM
9	413051602	SPOOL HOLDER 35 MM
10	412735901	REEL PIN
11	412735201	PLATE SPRING
12	411966828	SCREW PT 30*6 FZB TORX
13	413123701	THREAD REEL PIN
14	413147601	THREAD GUIDE BOBBIN WINDING
15	411966810	SCREW PT 40*20 FZB TORX
16	413125102	LED-LIGHT CPL P102
17	413233501	BRUSH SEAL
18	413145702	BOARD, REVERSE BUTTON
19	413124501	REVERSE BUTTON
20	413022501	COVER THREADKNIFE
21	412423701	THREAD CUTTER
22	413122706	FRONT COVER
25	413123802	DECORATIVE STRIP, PANEL
26	413249002	KEYBOARD CPL, FUNCTIONS BUTTONS
27	412549801	WASHER
28	412521401	SPRING
29	412982701	GLIDE PLATE
30	412982601	PIN, THREAD GUIDE
31	413124703	THREAD TENSION COVER CPL.
32	413160101	THREAD SUPPORT
33	413124703	THREAD TENSION COVER CPL.
34	413123001	THREADGUIDE
35	413176502	THREAD SENSOR ASSEMBLY
36	413176701	THREAD GUIDE - LOWER
37	413178001	THREAD GUIDE UPPER
38	413177101	CHECK SPRING 1
39	413177301	SAFETY SPRING
40	413177201	CHECK SPRING 2
41	413177001	ADJUSTING SLEEVE - INNER PART
42	413177401	SENSOR THREAD TAKE-UP DEVICE
43	413202101	THREAD SENSOR ASSEMBLY
44	411966801	SCREW PT 30*7.5 FZB TORX
45	412546913	CABLE ASSEMBLY (6P)
46	413124102	THREADKNIFE HOLDER
47	412423701	KNIFE
48	413124601	THREAD SUPPPORT
49	412558001	THREAD SUPPPORT
50	411966812	SCREW PT 40*40 FZB TORX
49	412558001	THREAD SUPPPORT
50	411966812	SCREW PT 40*40 FZB TORX

B



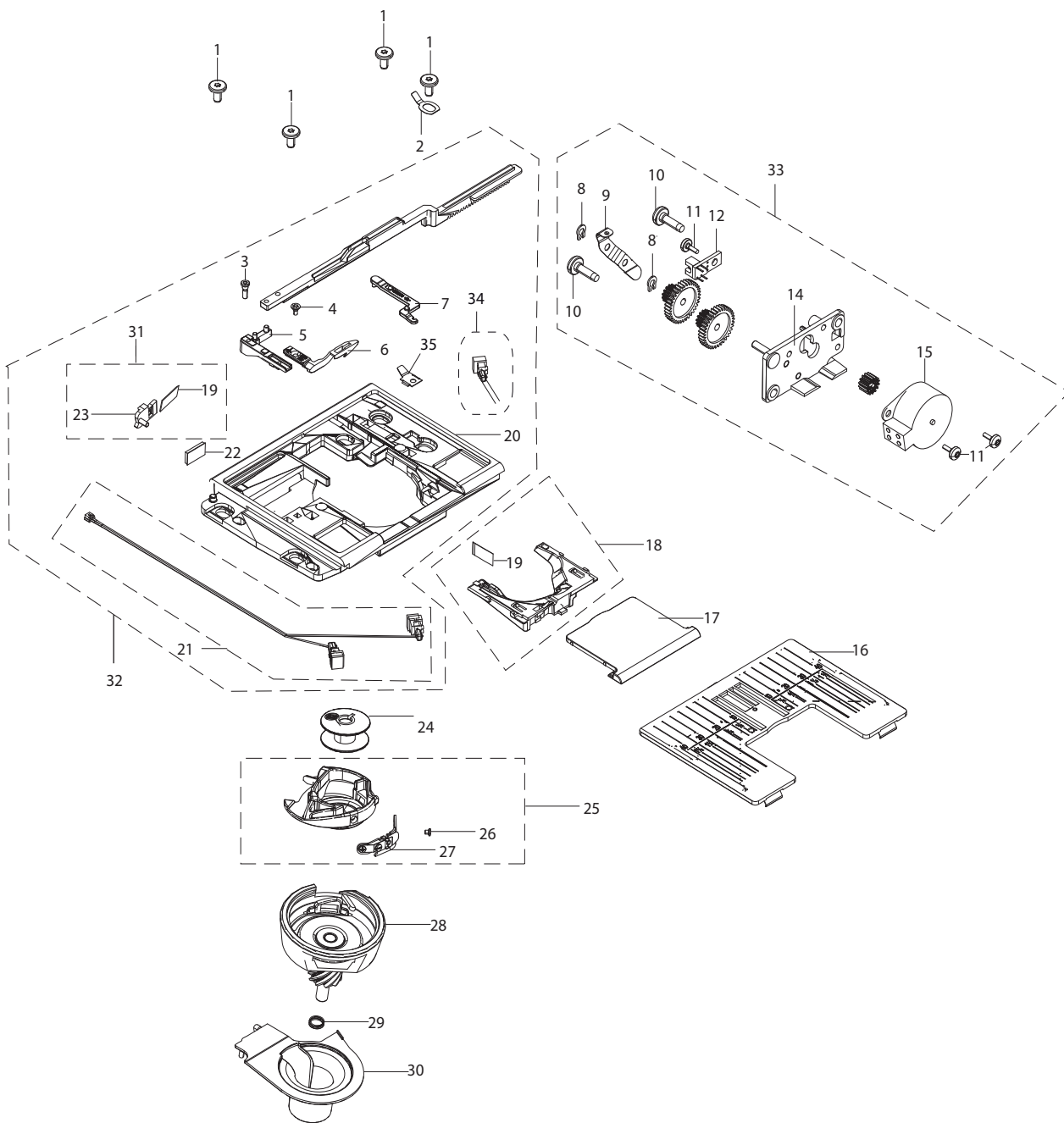
1	412546920	CABLE ASSEMBLY (20P)
2	413358605	CABLE ASSEMBLY (34 P)
3	413358606	CABLE ASSEMBLY (20P)
4	413396701	GROUNDING PLATE DISPLAY
5	411966801	SCREW PT 30*7,5 FZB TORX
6	411966803	SCREW PT 30*12 FZB TORX
7	413050002	LOAD SPEAKER BOX CPL
8	411966821	SCREW PT 18*10 FZB TORX
9	413049103	MICROSWITCH CPL.
10	413093002	BOBBIN WINDING MOTOR CPL.
11	412305502	O-RING
12	413062101	WINDING SHAFT
13	412757701	TORSION SPRING, WINDING STOP
14	413127401	LEVER WINDING STOP
15	412345001	ECCENTRIC, WINDING STOP
16	412211401	SCREW M3*4 TORX
17	412799125	FRICTION TAPE
18	413368801	CONSOLE, DISPLAY
19	413188601	FERRITE
20	413369401	CONNECTOR BOARD, DISPLAY
21	413265901	CABLE ASSEMBLY
22	413146402	CABLE DISPLAY
23	412799122	FRICTION TAPE
24	413369201	DISPLAY
25	413124403	TOUCH PANEL
26	413179001	GROUNDING PLATE
27	412056012	SCREW TAPTITE M4 * 6 TORX
28	412985502	HOLDER
29	412056006	SCREW TAPTITE M4 * 12 TORX
30	412986401	SENSOR BOARD, ASS
31	413024401	USB BOARD DUAL, CPL.
32	413024801	COVER, USB DUAL, HV
33	413369745	CONTROL BOARD
34	412349703	CABLE TRANSF-CONTROL BOARD
35	412546913	CABLE ASSEMBLY (6P)
36	413108801	CABLE USB
37	413286401	THREAD GUIDE
38	411966830	SCREW PT 25*8 FZB TORX
39	411966823	SCREW 18*5 FZB TORX

C



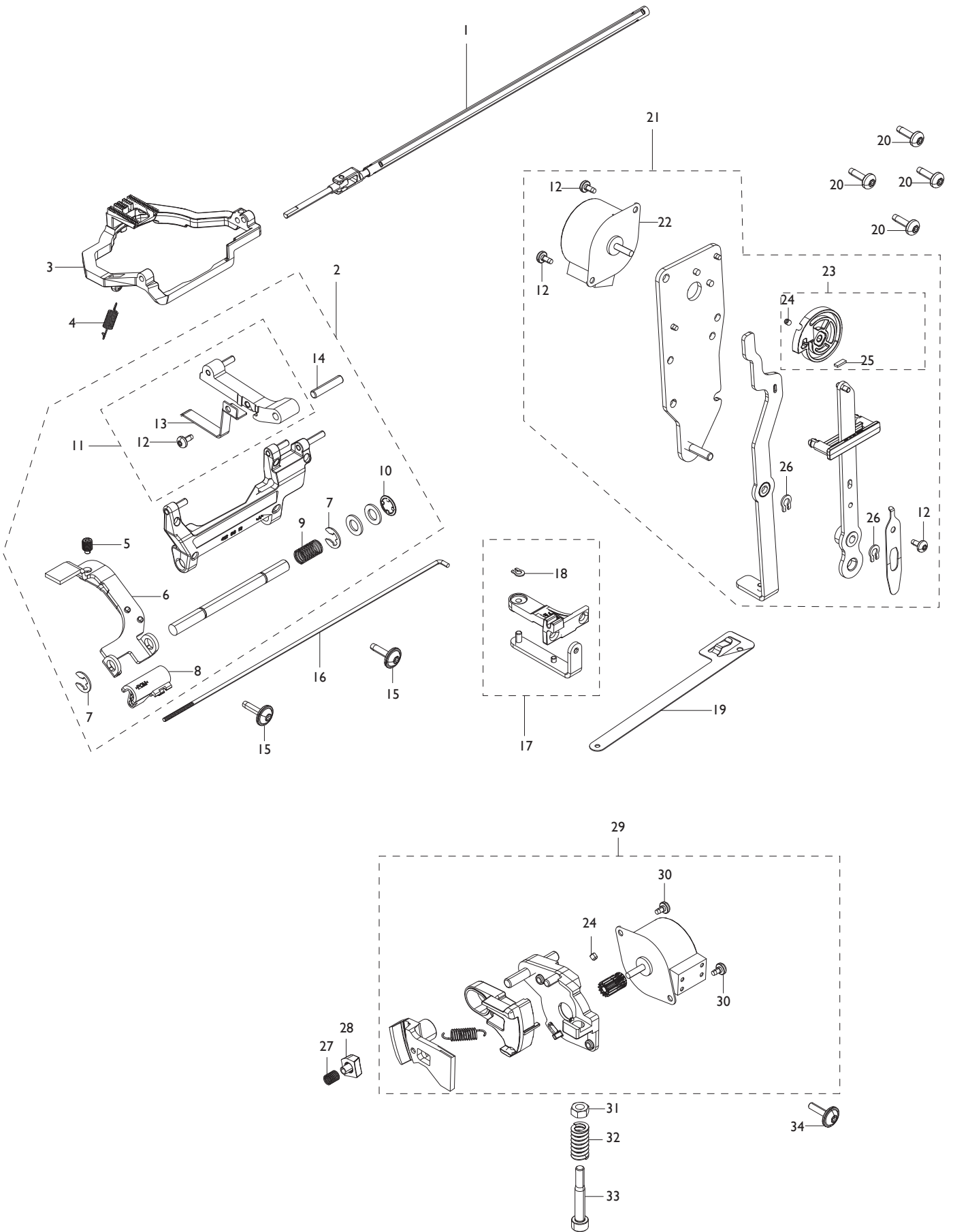
1	412954701	HANDLE
2	412700001	BUSHING
3	411966803	SCREW
4	412569701	DAMPER
5	411966810	SCREW
6	412959101	BACK COVER
7	413018501	LID XY
8	413018602	BASKET XY
9	411966812	SCREW PT 40*40FZB TORX
10	413124803	LID CPL.
11	411966702	SCREW B4*6.5 FZB TORX
12	413124803	LID CPL.
13	413390102	POWER SUPPLY CPL
14	411967105	SCREW PT FS 40*20 FZB TORX
15	412959202	BOTTOM COVER AHV
16	412305001	RUBBER FOOT BASE PLATE
17	412056001	SCREW TAPTITE M5 * 14 TORX
18	412954501	BOTTOM PLATE
19	9303311855000	SCREW 3*8

D



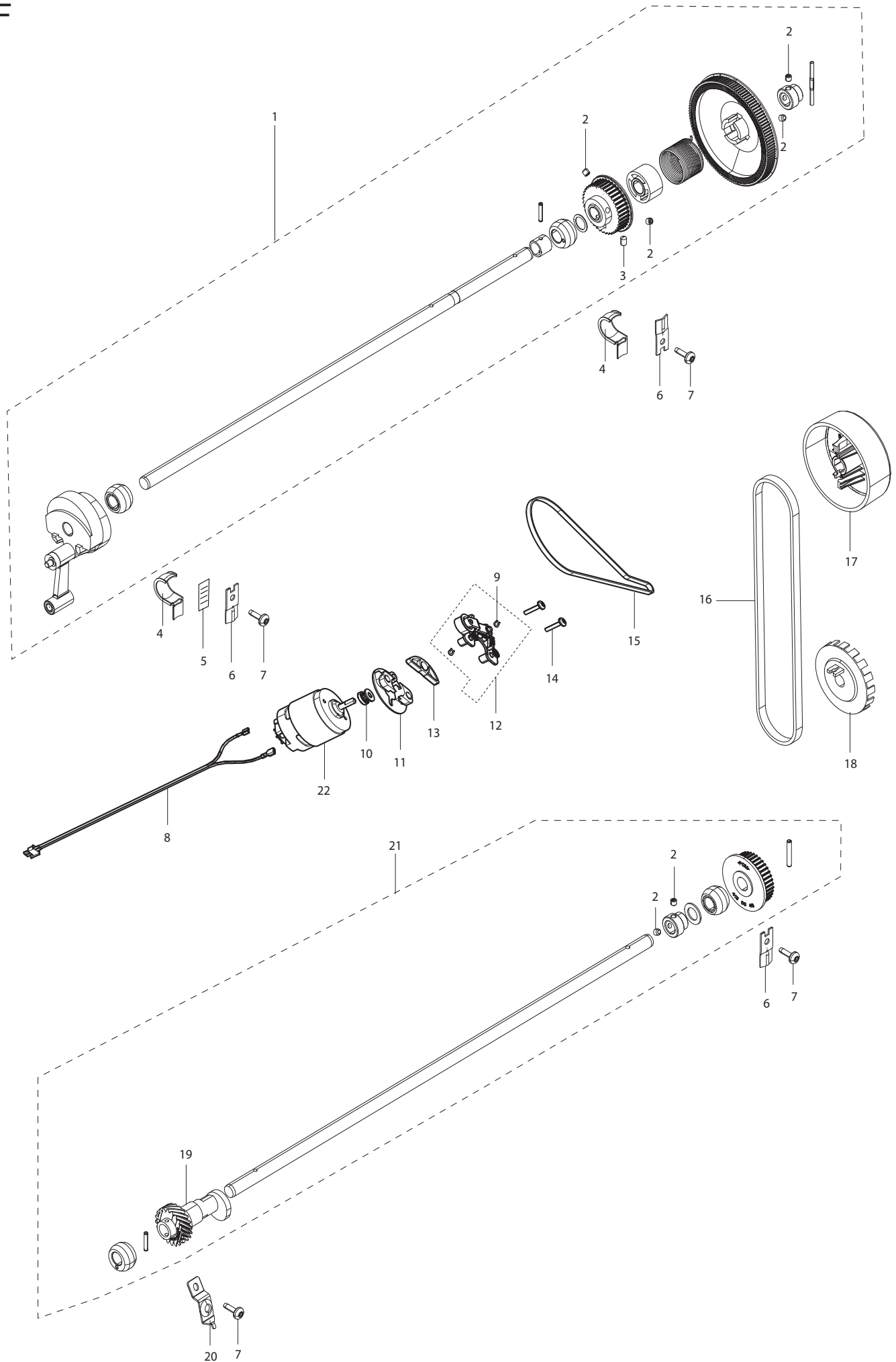
1	412287903	SCREW
2	412997701	ESD SPRING, STITCH PLATE
3	413010001	GUIDE PIN
4	412280501	SCREW, COUNTERSUNK
5	413072201	CONNECTING PART, FETCHER
6	413007101	FETCHER
7	413007301	FETCHER UPPER THREAD
8	735612440	COMPRESSION RINGS Ø 3
9	413007601	GUIDE GEAR RACK
10	412056006	SCREW TAPTITE M4*12 TORX
11	411966828	SCREW PT 30*6 FZB TORX
12	413072501	PCB CUT SENSOR
14	413353001	MOTOR PLATE CPL.
15	413004601	STEPPING MOTOR
16	412964204	STITCH PLATE HV MM
17	412963901	BOBBIN COVER
18	413025601	BOBBIN CASE HOLDER CPL.
19	412423701	THREAD KNIFE
20	412964105	HOOK COVER
21	413101502	CABLE ASS. BOBBIN SENSOR
22	413116701	THREAD BRAKE
23	413007701	KNIFE HOLDER
24	413182545	BOBBIN
25	413058903	BOBBIN CASE
26	412464501	SCREW BOBBIN CASE
27	412471601	THREAD TENSION CPL. BOBBIN CASE
28	412876902	HOOK CPL WITH SHAFT
29	412930101	SPRING, HOOK
30	412964502	DUST COVER
31	413047301	KNIFE HOLDER CPL.
32	412964004	HOOK COVER COMPL, CUT. AND SENS.
33	413007402	STEPPING MOTOR CPL.
34	413272501	STITCH PLATE SENSOR ASS.
35	413287301	SPRING, STICH PLATE SENSOR

E



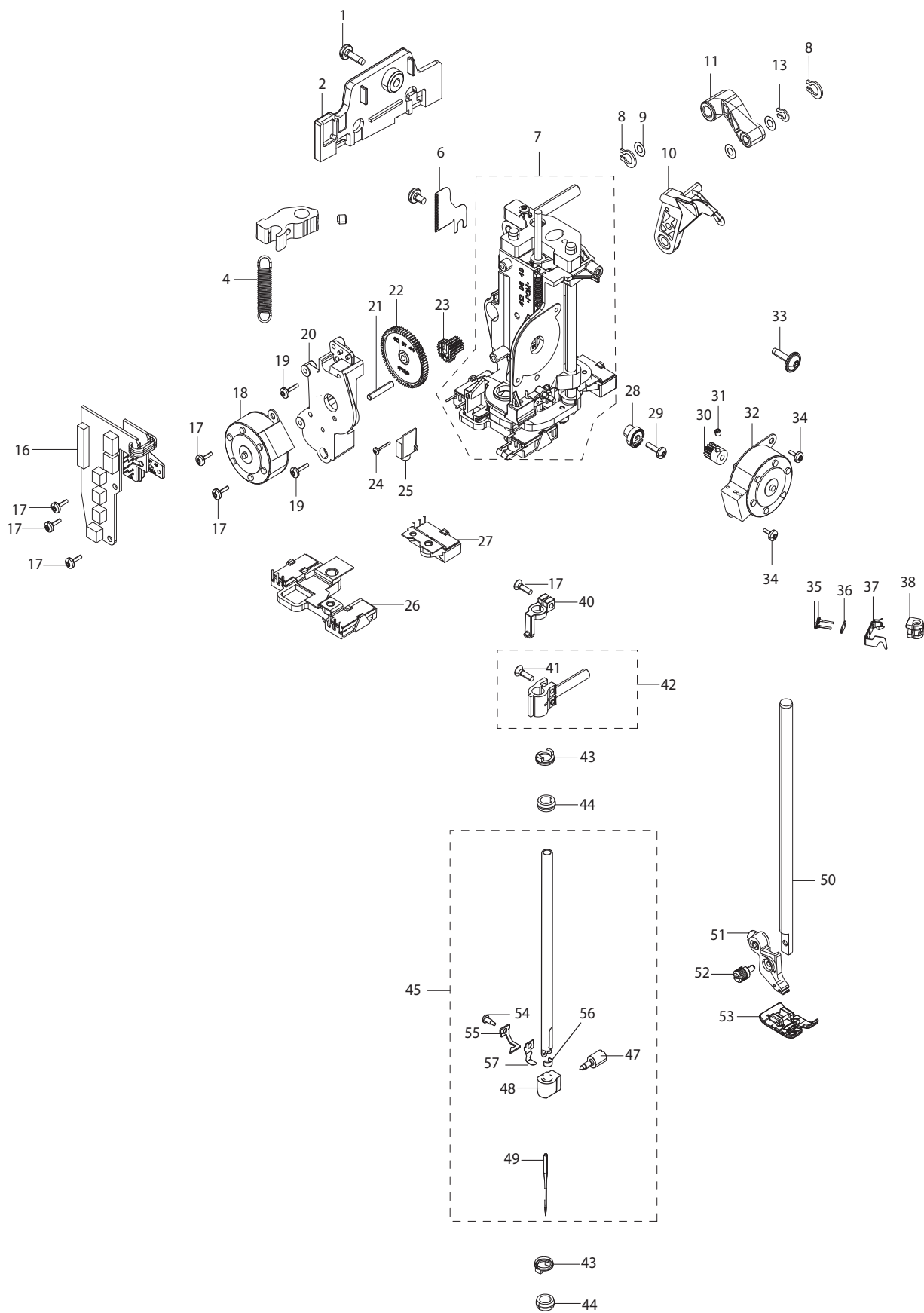
1	413033701	PULL ROD, SIDE FEED CPL.
2	413269014	CARRIGE FEED CPL.
3	413201302	FEED UNIT CPL.
4	413270001	FEED DOG SPRING
5	413201201	ADJUSTMENT SCREW, FEEDER
6	413200901	LEVER FEED LIFT CPL.
7	735310920	SNAP RING E-5
8	413034201	INSERT LEVER FEED LIFT
9	412962501	SPRING FEED DOG LOWERING
10	412368001	LOCK WASHER
11	412961602	LINK CARRIAGE FEED CPL.
12	412056004	SCREW TAPTITE M3*6 TORX
13	412961501	SPRING FEED
14	412316023	INA PIN
15	413169401	COLLAR SCREW TT TORX 4*14
16	413034101	PULL WIRE, FEED DOG DROP
17	413034501	LINKAGE UNIT, FEED DROP
18	735612440	COMPRESSION RING
19	413033401	TRANSM LINKAGE, FEED DOG DROP
20	412056006	SCREW TAPTITE M4*12 TORX
21	413060001	SIDE FEED, FEED DOG DROP CPL.
22	412997902	STEPPING MOTOR, SIDE FEED
23	413060101	CAM WHEEL CPL.
24	411968703	SET SCREW FLAT, M3*3 TORX
25	412796601	BUFFER
26	735613640	COMPRESSION RINGS
27	412961701	SPRING SLIDING BLOCK
28	412961801	BLOCK GUIDE
29	412963501	STEPMOTOR UNIT FEED CPL.
30	412056011	SCREW TAPTITE M3*5 TORX
31	413034402	COLLAR SCREW M4*10, LEFT HAND
32	413025401	NUT M5*0.5
33	412963601	SPRING
34	412963701	SCREW BALANCE ADJUST

F



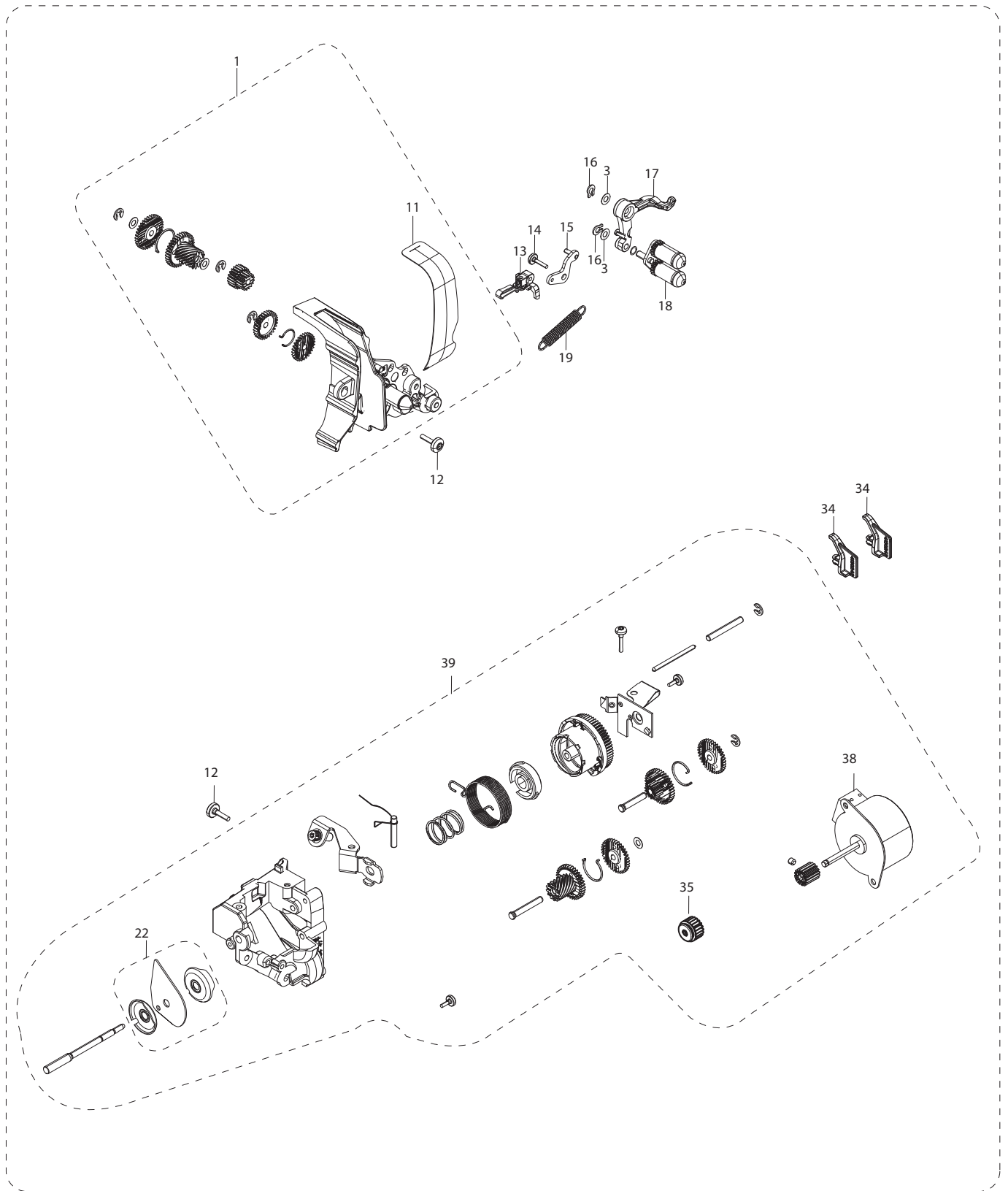
1	412966712	UPPER SHAFT CPL.
2	411968706	SET SCREW FLAT, M4*4 TORX
3	411968807	SET SCREW POINTED, M4*6 TORX
4	412558401	ABSORBER
5	412687601	GROUND TAPE
6	412328401	CLAMP
7	412056006	SCREW TAPTITE M4*12 TORX
8	413056901	CABLE MAIN MOTOR
9	735613640	COMPRESSION RINGS Ø4
10	412353302	DRIVING WHEEL
11	412999902	RUBBER DAMPER MOTOR
12	412971902	BELT STRETCHER, CPL.
13	413317201	SPACER BLOCK MOTOR
14	412211415	SCREW M4*20 TORX
15	413020201	COG BELT MOTOR
16	413020301	COG BELT UPPER - LOWER SHAFT
17	412954601	HAND WHEEL
18	412968101	SHIELD, REVOLUTION INDICATOR
19	412964403	ECCENTRIC FEED CPL.
20	412318101	CLAMP LOWER SHAFT
21	412967903	LOWER SHAFT
22	9233011191000	MOTOR

G



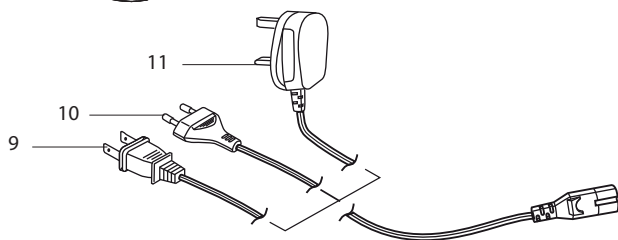
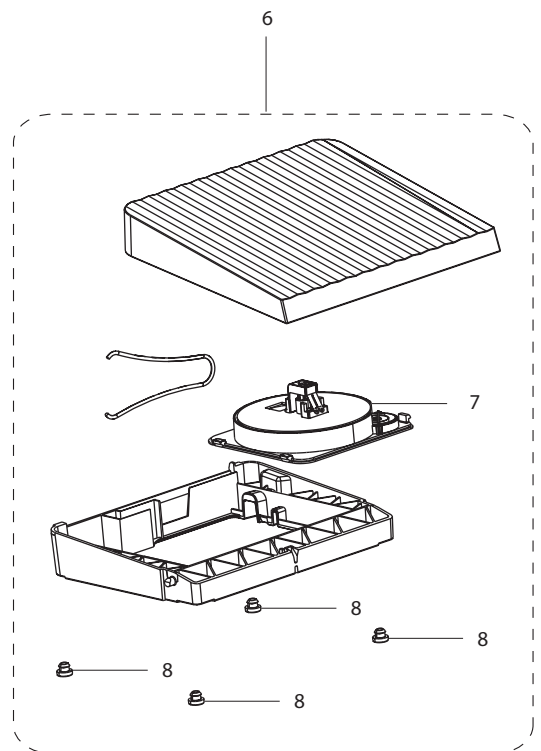
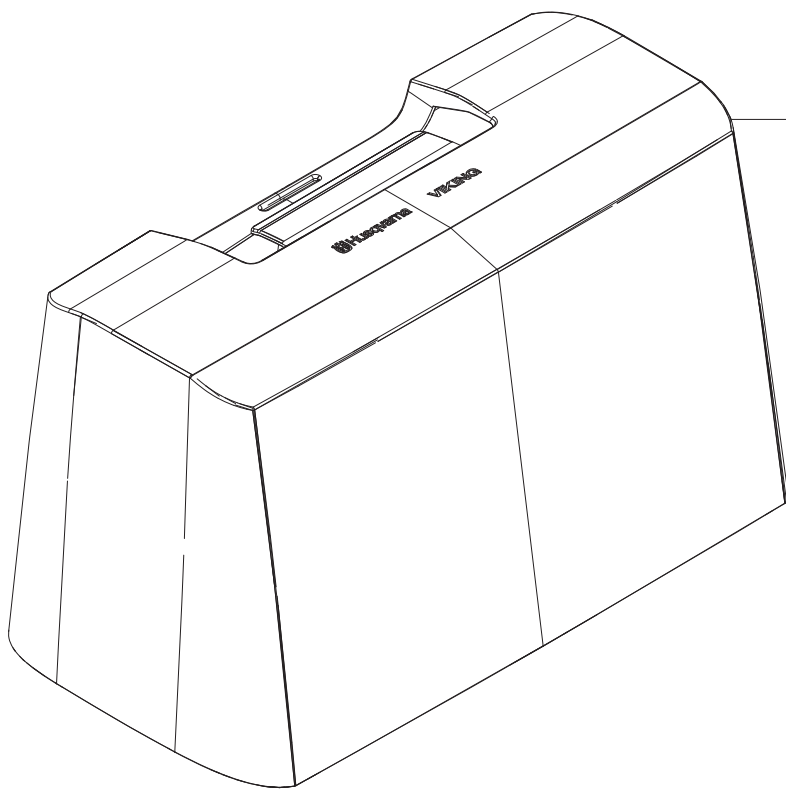
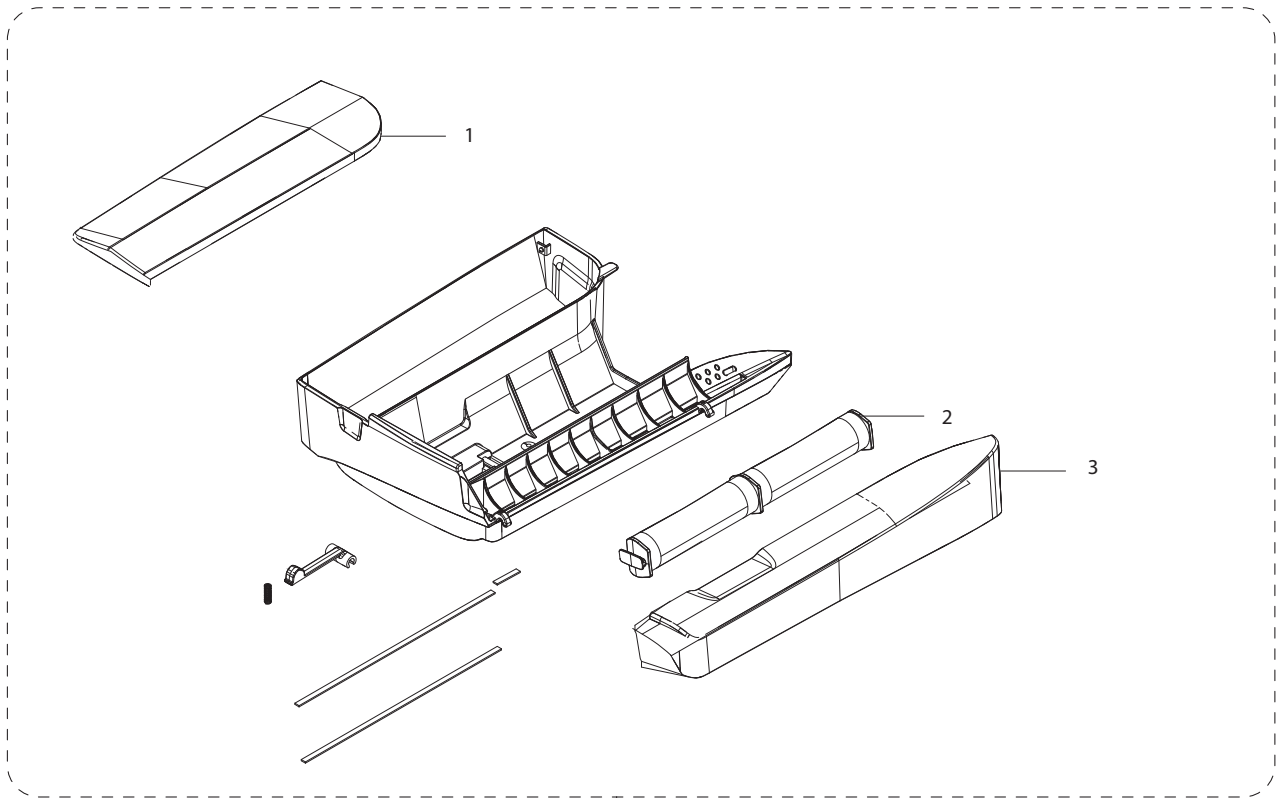
1	412056005	SCREW TAPTITE M4 *10 TORX	56	68016246	STOP, NEEDLE CLAMP
2	413063901	CABLE SHIELD	57	413304201	THREAD LOCK, NEEDLE HOLDER
4	413137602	SPRING PRESSER FOOT PRESSURE			
6	412973901	SHIELD, PRESSER FOOT SERVO			
7	413244201	SEWING HEAD CPL A HV/PF SPARE			
8	735615340	COMPRESSION RINGS			
9	412001301	SPRING WASHER			
10	413300302	TAKE UP LEVER CPL.			
11	413047401	LINK			
13	735613640	COMPRESSION RINGS Ø4			
16	413067003	CONN. BOARD SERVO SENS.			
17	413019001	SCREW K 30*8 PT WN 1452S			
18	413005901	STEPMOTOR P-FOOT PRESSURE			
19	411966820	SCREW 30*10 FZB KOMBITORX			
20	412974201	GEARHOUSE, SERVO			
21	412316010	INA PIN NRB 3*17,8 0 -3µm			
22	412974401	GEARWHEEL SERVO SEC			
23	412974301	GEARWHEEL SERVO PRIM			
24	411966821	SCREW PT 18*10FZB TORX			
25	413031001	BUTTONSENS CONN ASS.			
26	413040102	LED HOLDER CPL. RIGHT			
27	413040202	LED HOLDER CPL. LEFT			
28	412966501	CALIBRATION KNOB			
29	412211404	SCREW M3*10 TORX			
30	413057201	GEAR Z-Z			
31	411968703	SET SCREW FLAT, M3*3 TORX			
32	412993901	STEPPING MOTOR			
33	413169401	COLLAR SCREW			
34	411966828	SCREW PT 30*6 FZB TORX			
35	411966825	SCREW PT 16*8 FZB TORX			
36	412876701	WASHER NEEDLE THREADER			
37	413238402	NEEDLE THREADER			
38	413053601	HOLDER NEEDLE THREADER			
40	412993502	STROKE LIMITER			
41	412280504	SCREW FS M3 * 10 FZB TORX			
42	412993605	CROSS HEAD CPL.			
43	412504701	CLAMP RING			
44	412501501	BEARING 10/6, 35-4			
45	68008797	NEEDLE BAR CPL.			
47	413373001	SCREW, NEEDLE HOLDER HV			
48	413242301	NEEDLE CLAMP HV			
49	620071196	NEEDLES			
50	412285403	PRESSER BAR AVANTI			
51	412616145	HOLDER PRESSER FOOT			
52	412409701	SCREW PRESSERSHAFT			
53	412764001	PRESSER FOOT A, 7MM			
54	413094701	SCREW THREAD GUIDE			
55	68008796	THREAD GUIDE			

H



40

- 1 413232202 SHEILD TAKE UP LEVER
- 11 413218502 SEALING, TAKE UP LEVER
- 12 411966808 SCREW PT 40*10 FZB TORX
- 13 413264101 GEAR SHIFT BAR CPL
- 14 411966820 SCREW 30*10FZB KOMBITORX
- 15 413263901 BRACKET CPL.
- 16 735612440 COMPRESSION RINGS 3
- 17 413055301 LEVER
- 18 412743001 ROCKER ASS.
- 19 413055501 DRAW SPRING
- 22 413106402 THREAD DISK KIT
- 34 413024201 CABLE CLAMP
- 35 413264501 GEAR ROLLER CLUTCH CPL.
- 38 413221001 STEPPING MOTOR
- 39 413112104 THREAD TENSION SUB ASSEMBLY
- 40 412940210 THREAD TENSION ASSEMBLY CPL.



- 1 413121401 LID BACK ACC.BOX HV
- 2 412737401 BOBBIN HOLDER
- 3 413121301 LID FRONT ACC.BOX
- 4 413121101 ACCESSORY BOX CPL.
- 5 413018702 HARD COVER
- 6 412991404 FOOT CONTROLLER CPL.
- 7 412493002 CONTROL UNIT WITH WINDER
- 8 412184501 FOT
- 9 412157903 NET CABLE 120V
- 10 412157801 NET CABLE 220V
- 11 412158002 NET CABLE GB
- 12 412158101 NET CABLE AU
- 13 412157902 NET CABLE 120V JP

J

1



2



3



4



5



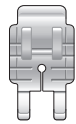
6



7



8



9



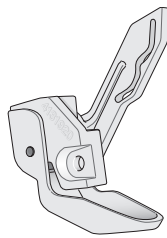
10



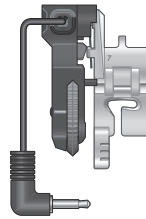
11



12



13



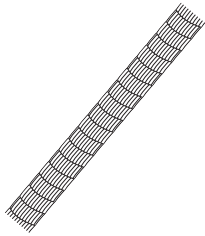
14



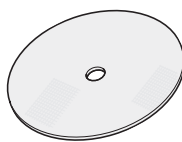
15



16



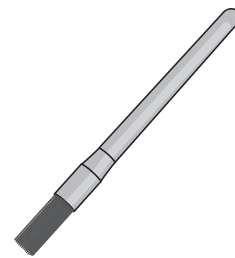
17



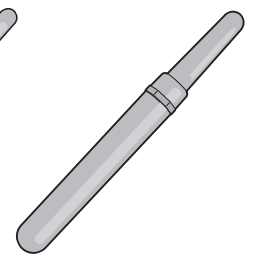
18



19



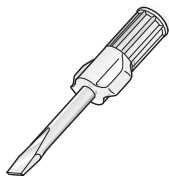
20



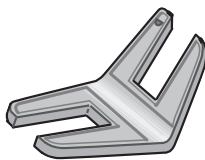
21



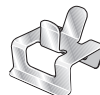
22



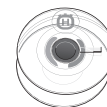
23



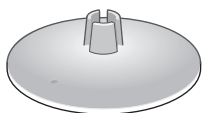
24



25



26



28



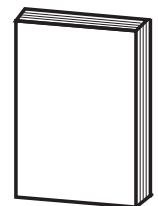
29



30



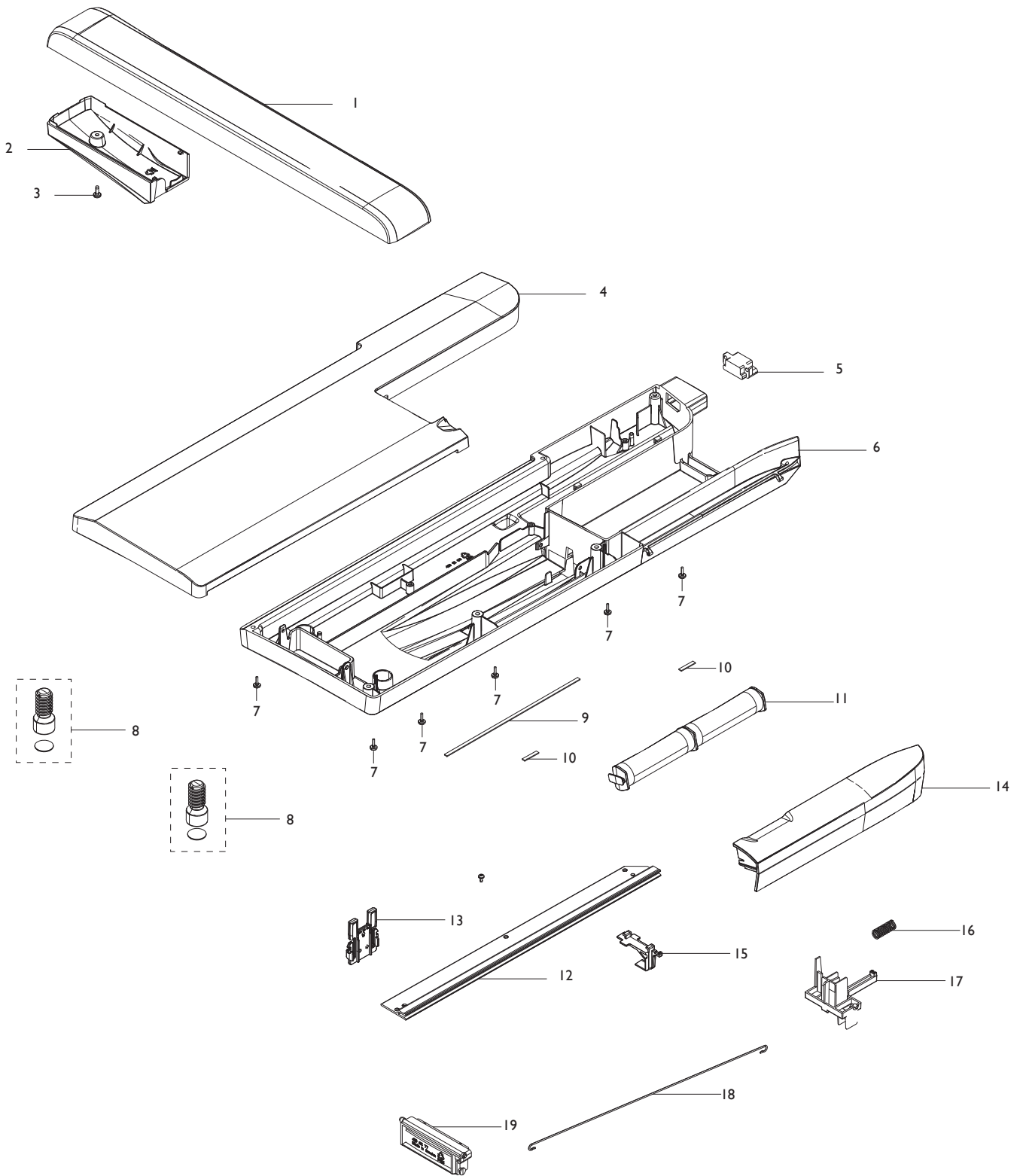
31



32

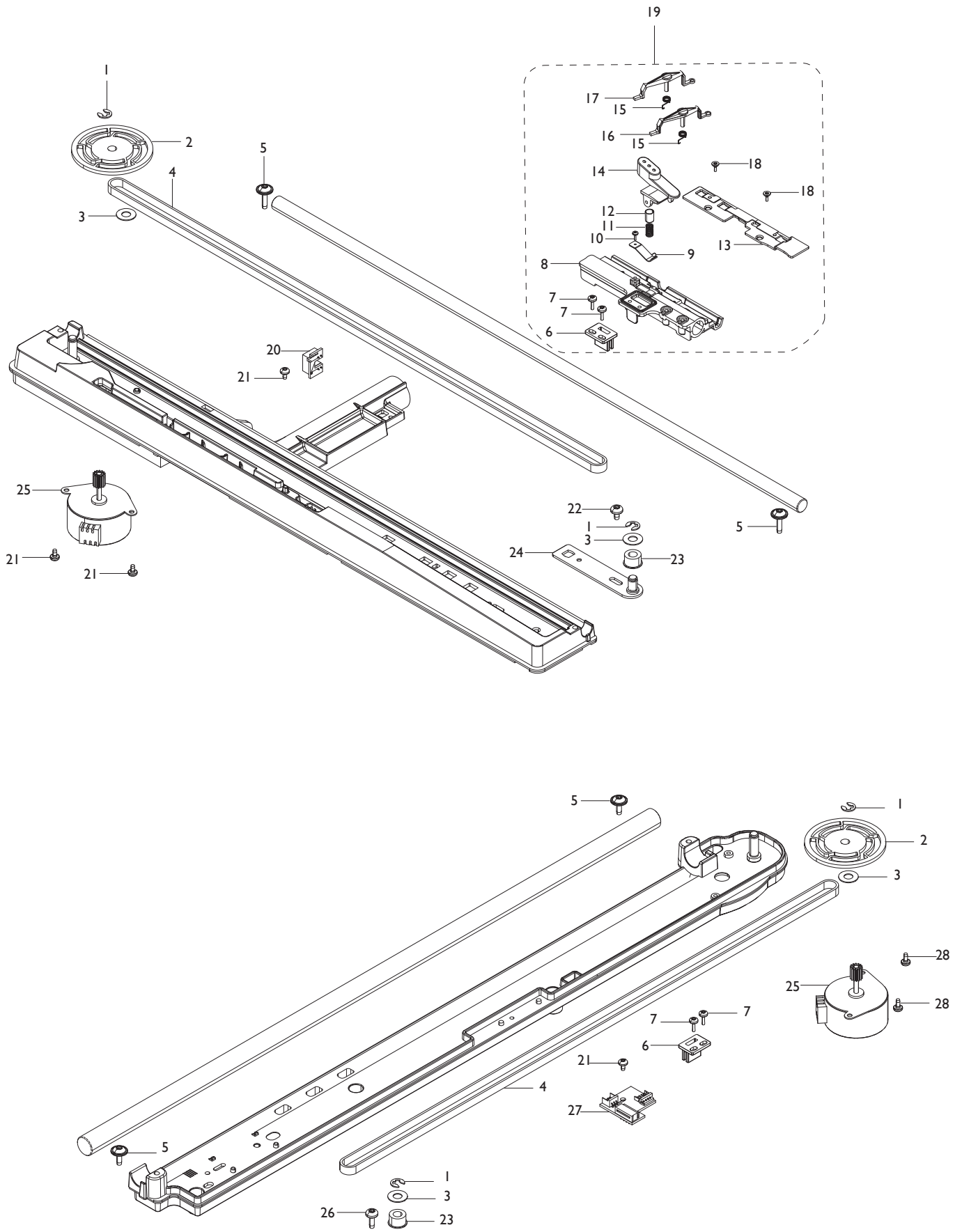
1	413021627	STANDARD ACCESSORIES CPL.
2	412764001	PRESSER FOOT A, 7MM
3	413113646	PRESSER FOOT B CPL.
4	412785345	BUTTONHOLE PRESSERFOOT C
5	412380445	BLIND HEM FOOT D
6	412801501	ZIPPER PRESSER FOOT
7	412796145	SMOOTH GLIDE FOOT H
8	412380645	EDGING PRESSER FOOT J
9	412785545	1/4" PIECING FOOT
10	412849801	EMBROIDERY FOOT R CPL.
11	412795245	PRESSERFOOT SIDE MOTION
12	412827401	GLIDE SOLE, BUTTONHOLE FOOT
13	413192001	Q-FOOT CPL.
14	412815102	BUTTONHOLE SENSOR FOOT CPL.
15	413113846	DECOR. STITCH PRESSER FOOT CPL.
16	413171704	STYLUS CPL.
17	412397701	THREAD NET 15*100
18	412610701	FELT PAD
19	412601901	GUIDE
20	413190401	BRUSH
21	401539901	SEAM RIPPER
22	413095709	USB MEMORY 1G
23	412381501	SCREW DRIVER
24	413105601	CLEARANCE PLATE
25	413070203	SET OF CLIPS
26	413182501	BOBBINS
28	413051603	SPOOL HOLDER 45MM
29	413051602	SPOOL HOLDER 35MM
30	413051601	SPOOL HOLDER 22MM
31	620071196	NEEDLES
32	413371001	USER'S GUIDE AHV289 SWE
32	413371006	USER'S GUIDE AHV289 DEN
32	413371010	USER'S GUIDE AHV289 JAP
32	413371011	USER'S GUIDE AHV289 FIN
32	413371021	USER'S GUIDE AHV289 NOR
32	413371026	USER'S GUIDE AHV289 ENG
32	413371031	USER'S GUIDE AHV289 FRE
32	413371036	USER'S GUIDE AHV289 DUT
32	413371041	USER'S GUIDE AHV289 ITA
32	413371046	USER'S GUIDE AHV289 SPA
32	413371051	USER'S GUIDE AHV289 GER
32	413371056	USER'S GUIDE AHV289 RUS
33	412964203	STRAIGHT STITCH PLATE
34	920219096	INTERCHANGEABLE DUAL FEED

K



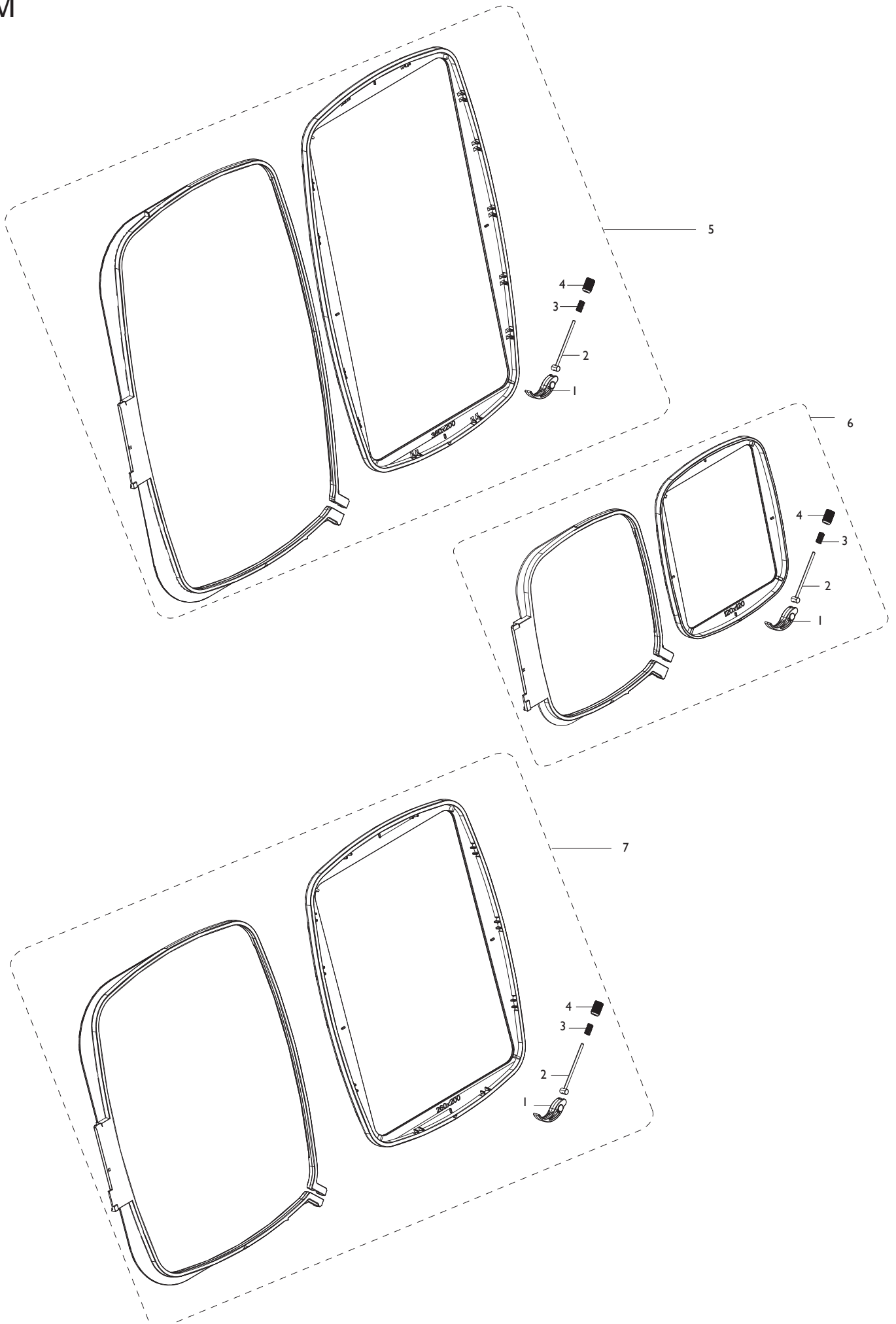
- 1 413120301 COVER , Y-ARM
- 2 413120401 MOTOR COVER Y-ARM
- 3 412056005 SCREW TAPTITE M4X10 TORX
- 4 413120101 COVER TOP XY-UNIT
- 5 413028801 CABLING, XY-UNIT, CPL.
- 6 413120001 COVER, BOTTOM XY-UNIT WHITE
- 7 412056006 SCREW PT M4X12 TORX
- 8 413028502 FOOT XY-UNIT
- 9 412529701 FRICTION TAPE
- 10 412529705 FRICTION TAPE
- 11 412737401 BOBBIN HOLDER
- 12 413119901 GUIDE, XY-UNIT
- 13 413030101 TRANSPORT LOCKING DEVICE
- 14 413120201 LATCH XY-UNIT
- 15 413119802 SUPPORT ARM, Y-ARM
- 16 412721401 SPRING LATCH
- 17 413027601 LATCH
- 18 413027804 CONNECTING ROD , LATCH
- 19 413027701 HANDLE LATCH

L



1	735310820	LOCK WASHER 4
2	412524601	GEAR WHEEL
3	412384301	WASHER 6/13*0.6 FZB
4	413027201	SYNCHRONOUS BELT XY-UNIT
5	412281904	SCREW FLANGE M4*10 TAPTITE TORX
6	412525301	HOLDER BELT
7	411966801	SCREW PT 30*7.5 FZB TORX
8	413026801	Y-SLED
9	413139801	PLATE SPRING, Y-SLED
10	411966823	SCREW PT 18*5 FZB TORX
11	412526601	SPRING
12	412590003	SLEEVE
13	413026901	PANEL Y-SLED, CPL.
14	413030201	LOCKING ARM Y-SLED
15	412555701	SPRING
16	412749801	SENSOR EMBROIDERY FRAME
17	412525402	SENSOR EMBROIDERY FRAME
18	411967306	SCREW PT FS 25*6 OXSV TORX
19	413026701	Y-SLED, CPL.
20	413029601	BOARD, HOOP DETECTION, CPL.
21	412056011	SCREW M3*5
22	412056012	SCREW M4*6
23	412384202	COG WHEEL
24	412524901	PLATE, BELT TENSION, CPL.
25	413029901	STEPPER MOTOR, XY-UNIT, CPL.
26	412056005	SCREW TAPTITE M4*10 TORX
27	413029301	BOARD, Y-ARM, CPL.
28	412056004	SCREW TAPTITE M3*6 TORX
29	413026801	Y-SLED

M



- 1 412984701 LOCKING HANDLE EMBR.HOOP
- 2 412956204 SCREW CPL., HOOP
- 3 412620701 SPRING EMBROIDERY HOOP
- 4 412996501 NUT EMBR. FRAME
- 5 412944501 EMBROIDERY FRAME CPL. 360*200
- 6 412968201 EMBROIDERY FRAME CPL. 120*120
- 7 413116501 EMBROIDERY FRAME CPL. 260*200