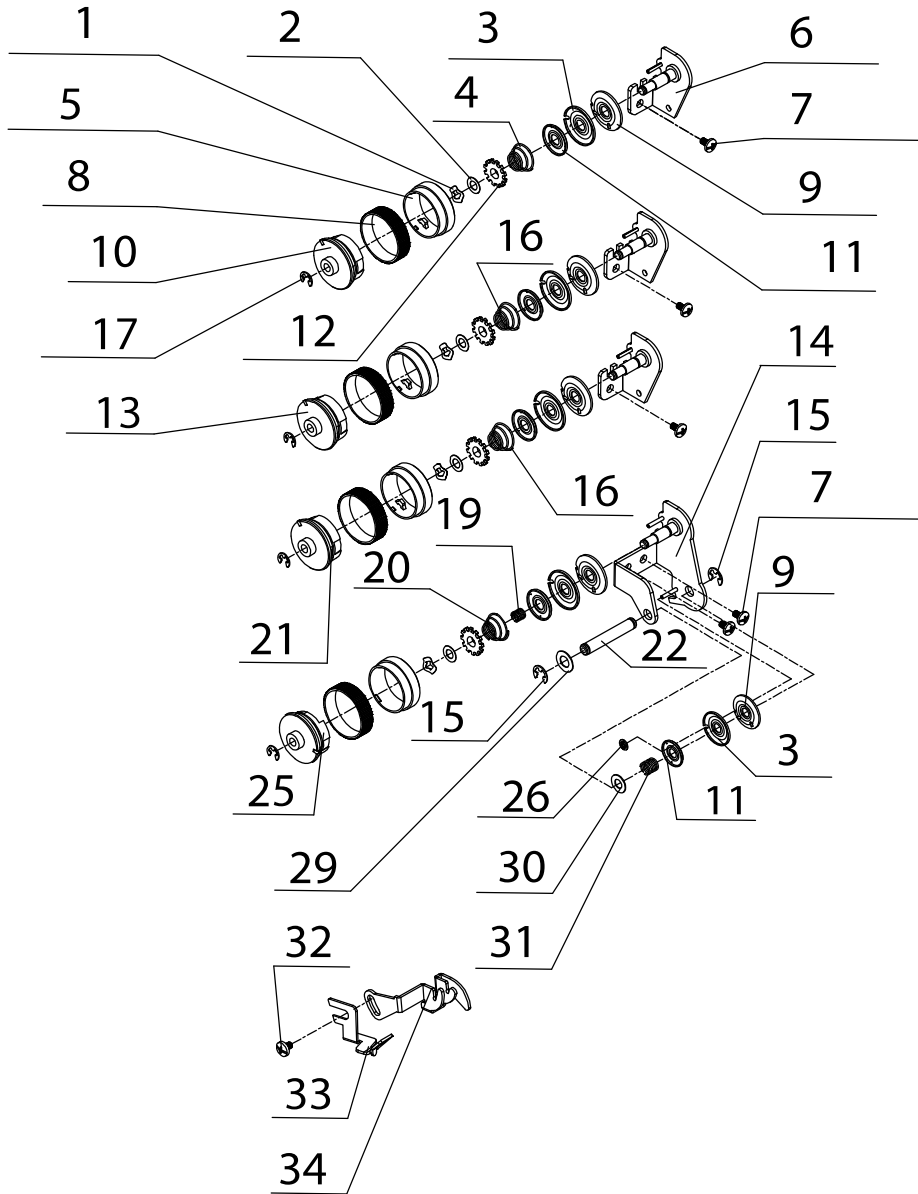


# Parts list

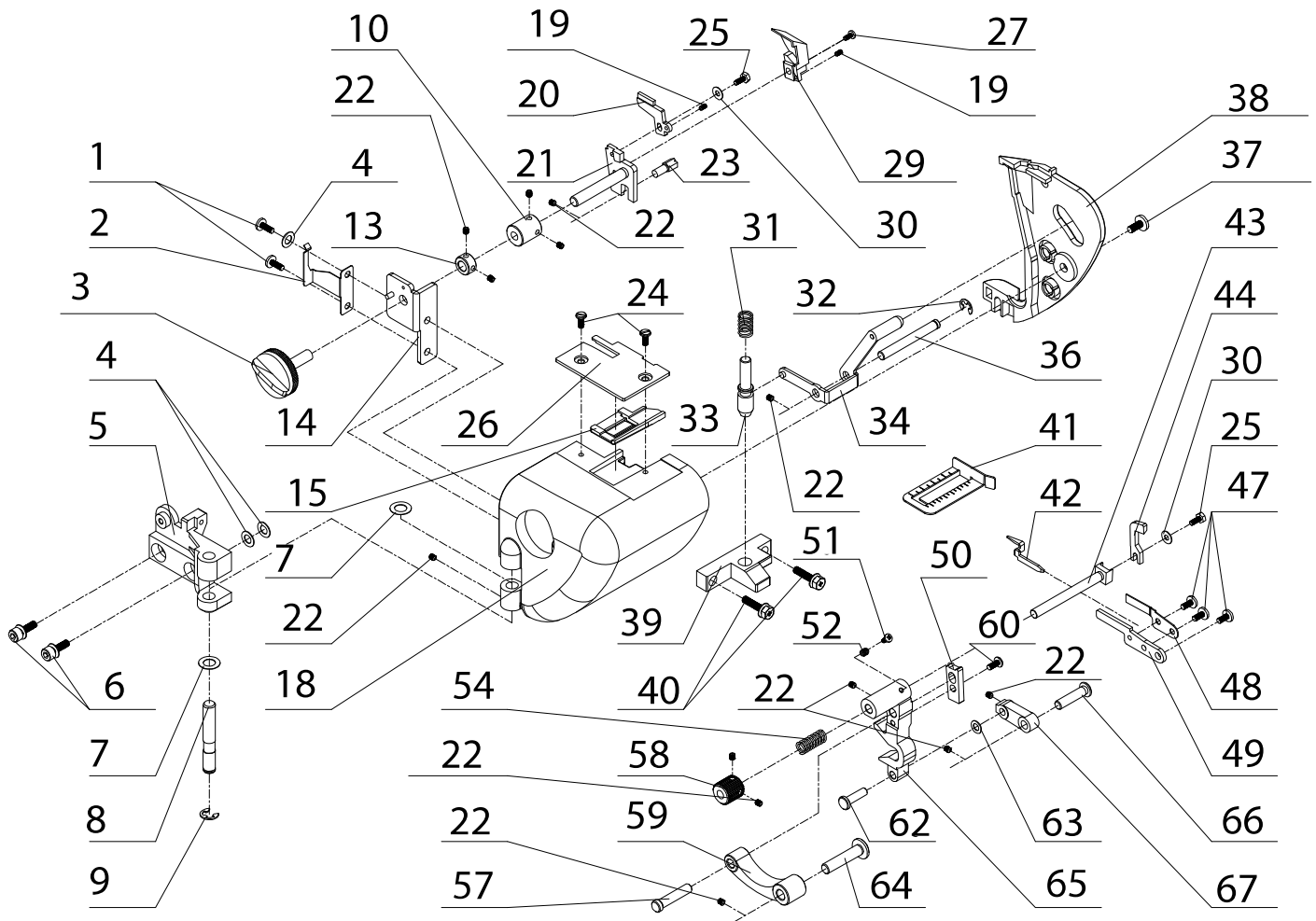
## Amber S100

A



1	68021101	Washer
2	68021102	Flat washer
3	68021103	DT dish
4	68021104	Spring
5	68021656	DT dial jacket
6	68021657	DT table
7	68021223	Screw M4×6
8	68021658	Knob cover
9	68021659	DT dish
10	68021661	Knob
11	68021663	DT dish
12	68021675	Lifting nut
13	68021676	Knob
14	68021677	DT table
15	68020936	Snap ring E-5
16	68021678	Spring
17	68021278	Snap ring E-4
19	68021679	Spring
20	68021680	Spring
21	68021681	Knob
22	68021682	Shaft
25	68021683	Knob
26	68021684	Internal teeth lock washer CS-2
29	68021685	Flat washer
30	68021686	Flat washer
31	68021687	Spring
32	68021300	Screw M4×5
33	68021688	Thread
34	68021689	Balance guide threader

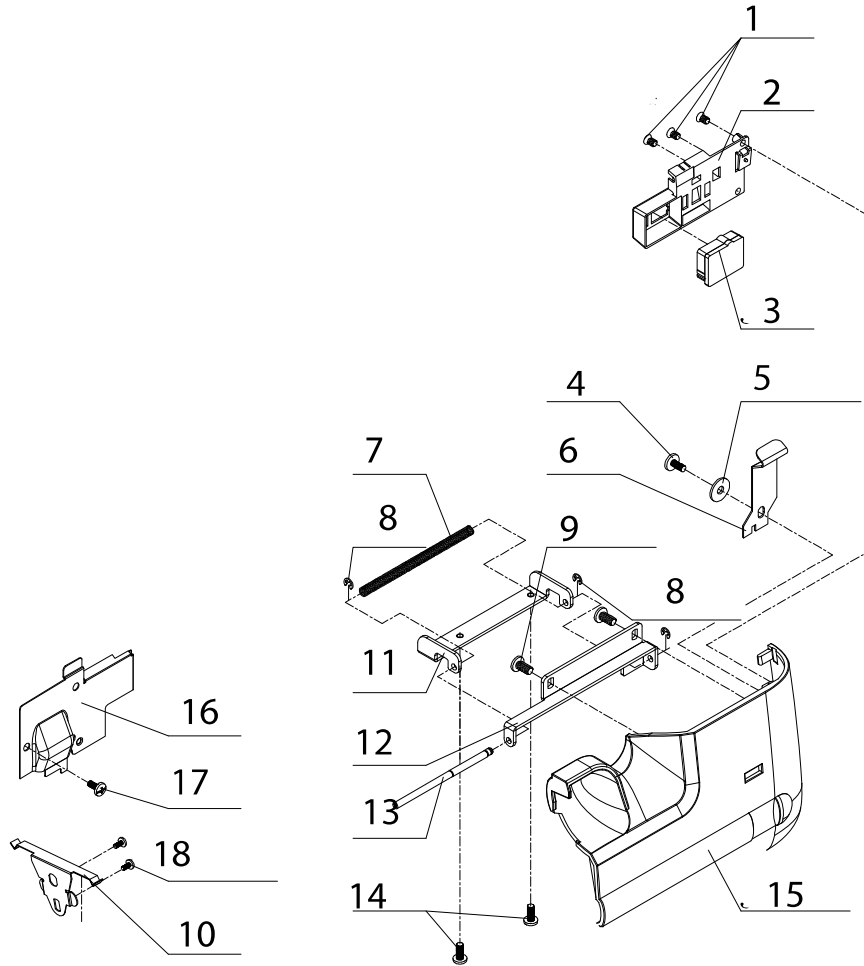
B



			56		
1	68019511	Screw M4×10	57	68021155	Upper blade crank connecting pin
2	68021105	Leaf spring	58	68021156	Top blade adjust stop collar
3	68021106	C dial	59	68021159	Connecting rod
4	68021303	Flat washer	60	68021157	Screw M4×10
5	68021107	Loose leaf support	61		
6	68021108	Screw M5×15	62	68021221	Blade crank connecting pin
7	68021109	Flat washer	63	68021232	Flat washer
8	68021114	Loose leaf shaft	64	68021234	Flat pin Φ7
9	68021563	Snap ring E-6	65	68021235	Top blade crank
10	68021115	Adjust stop collar	66	68021237	Flat pin Φ6
11			67	68021238	Connecting lever
12					
13	68021116	Stop collar Φ7			
14	68021117	Knob holder			
15	68019559	Guide plate			
16					
17					
18	68021118	Work table			
19	68020982	Set screw M3×5			
20	68019560	Lower blade			
21	68021119	Lower blade holder			
22	68021001	Set screw M4×4			
23	68021121	Hexagonal shaft			
24	68019561	Screw M4			
25	68019562	Hexagon bolt M3.5×8			
26	68019563	Angle plate			
27	68021122	Screw			
28					
29	68021123	Blade cover			
30	68021124	Flat washer			
31	68021150	Spring			
32	68020936	Snap ring E-5			
33	68021151	Cutting fixed pin			
34	68021236	Handle			
36	68021556	Backstitch button axle			
37	68021309	Screw M4×8			
38	68021312	Cut fabric table cover			
39	68021313	Cut fabric table fix			
40	68021319	Hexagon bolt with washer			
	M5×20				
41	68019508	Feeding guife holder			
42	68019564	Needle plate			
43	68021625	Top blade support			
44	68019565	Upper blade			
45					
46					
47	68021266	Screw M4×8			
48	68021320	Shrapnel			
49	68021321	Needle plate support			
50	68021322	Limit block			
51	68021323	Screw M3×6			
52	68020252	Spring			
54	68021099	Spring			
55					

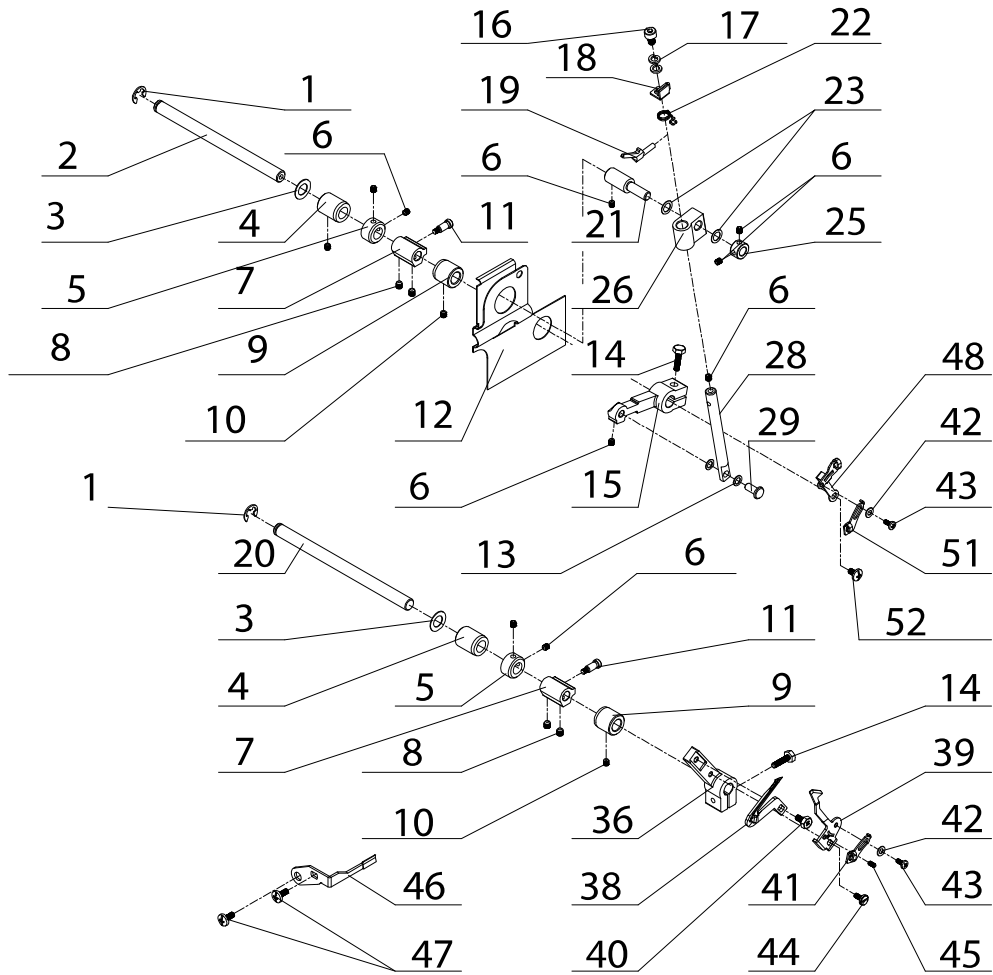
B

C



1	68021240	Tapping Screw ST3×6
2	68021241	Accessories box
3	68021242	Accessories box core
4	68021243	Tapping Screw ST3×5
5	68021246	Flat washer
6	68021247	Leaf spring
7	68021248	Spring
8	68021136	Snap ring E-3
9	68021249	Tapping Screw ST4×9
10	68021250	Difference knob shrapnel
11	68021251	Moveable support
12	68021252	Moveable support
13	68021253	Front cover fulcrum
14	68021157	Screw M4x10
15	68021255	Front cover
16	68021256	Basic cover
17	68021266	Screw M4×8
18	68021300	Screw M4×5

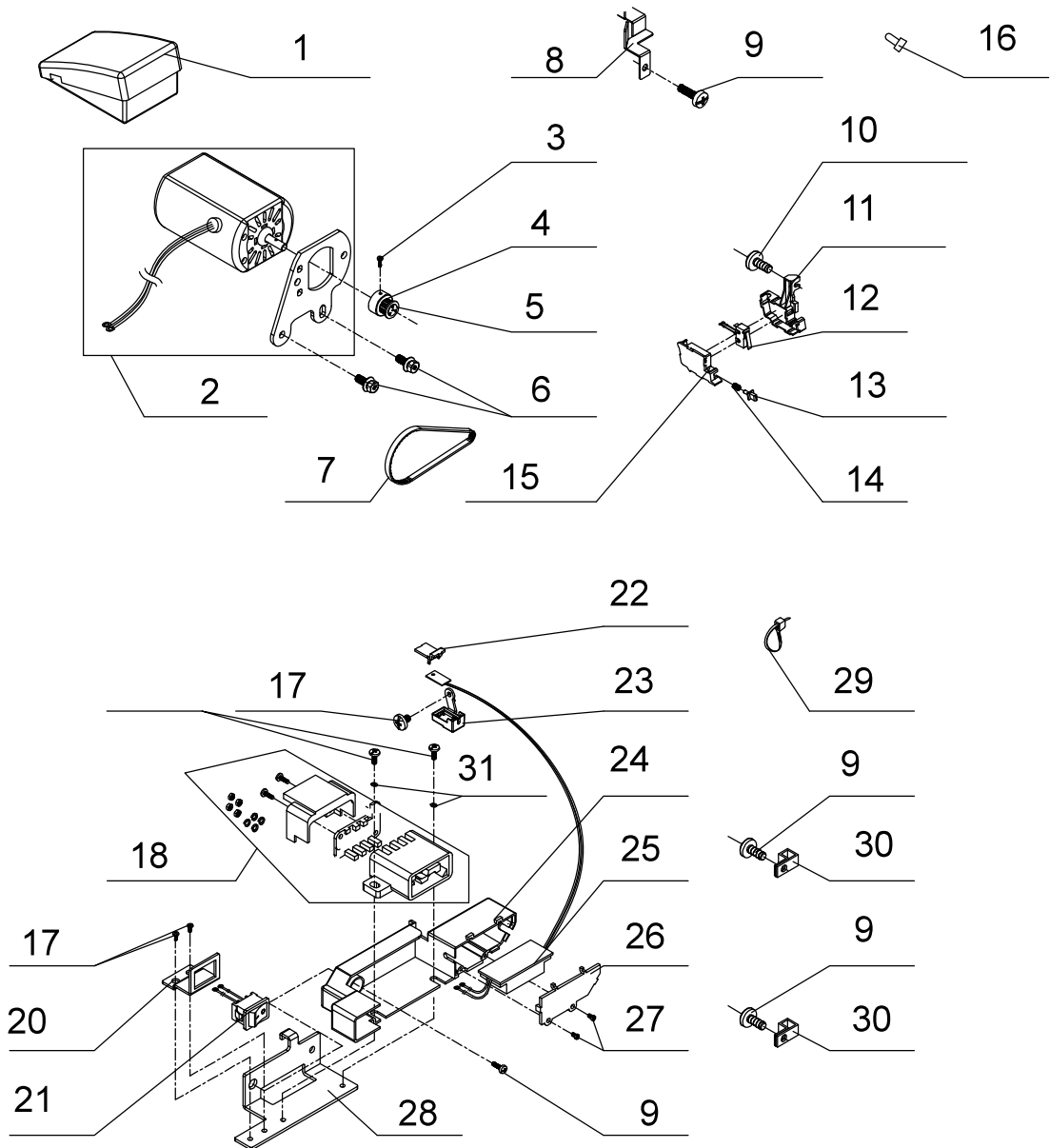
D





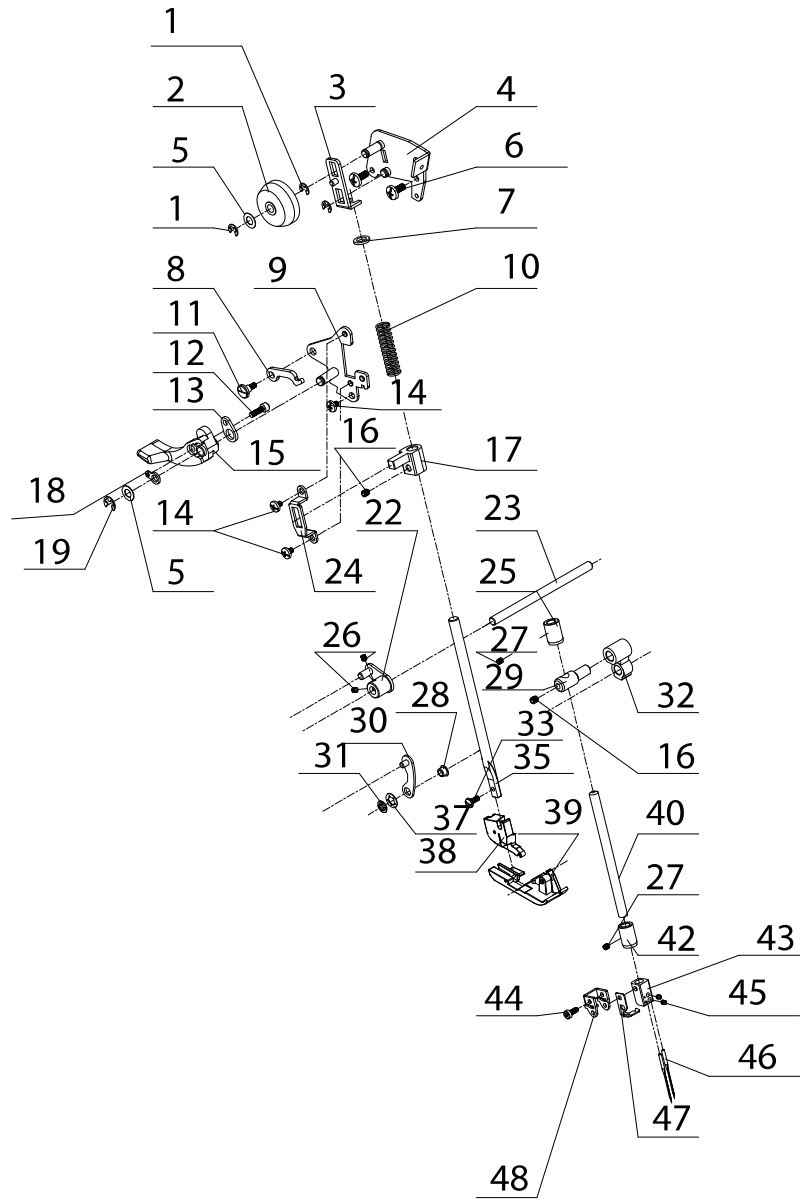
1	68021563	Snap ring E-6
2	68021257	Upper looper frive shaft
3	68021551	Flat washer
4	68021258	Shaft sleeve L17
5	68021259	Shaft sleeve
6	68021001	Set screw M4×4
7	68021260	Connecting crank
8	68021384	Set screw M5×5
9	68021261	Shaft sleeve L14
10	68021299	Set screw M4×5
11	68021330	Crank screw
12	68021331	Looper cover
13	68037511	Washer
14	68021332	Hexagon bolt M4×14
15	68021336	Lower looper holder
16	68021337	Screw M4×6
17	68021338	Spring washer
18	68021340	Double looper table
19	68019566	Upper looper
20	68021351	Lower looper frive shaft
21	68021352	Connecting shaft fulcrum
22	68019567	Spring
23	68021354	Washer
24		
25	68021355	Coupling stop collar
26	68021356	Shaft
27		
28	68021357	Upper looper rocker
29	68021369	Upper looper connecting pin
30		
31		
32		
33		
34		
35		
36	68021389	Lower looper table
37		
38	68019568	Lower looper
39	68019569	Needle plate support
40	68021379	Hexagon bolt M4×7
41	68019570	Down thread guider
42	68021390	Flat washer
43	68021323	Screw M3×6
44	68021391	Screw M3.5×7
45	68020982	Set Screw M3×5
46	68021392	Needle plate support
47	68021266	Screw M4×8
48	68021393	Down thread guider
49		
50		
51	68019570	Down thread guider
52	68021223	Screw M4×6

E



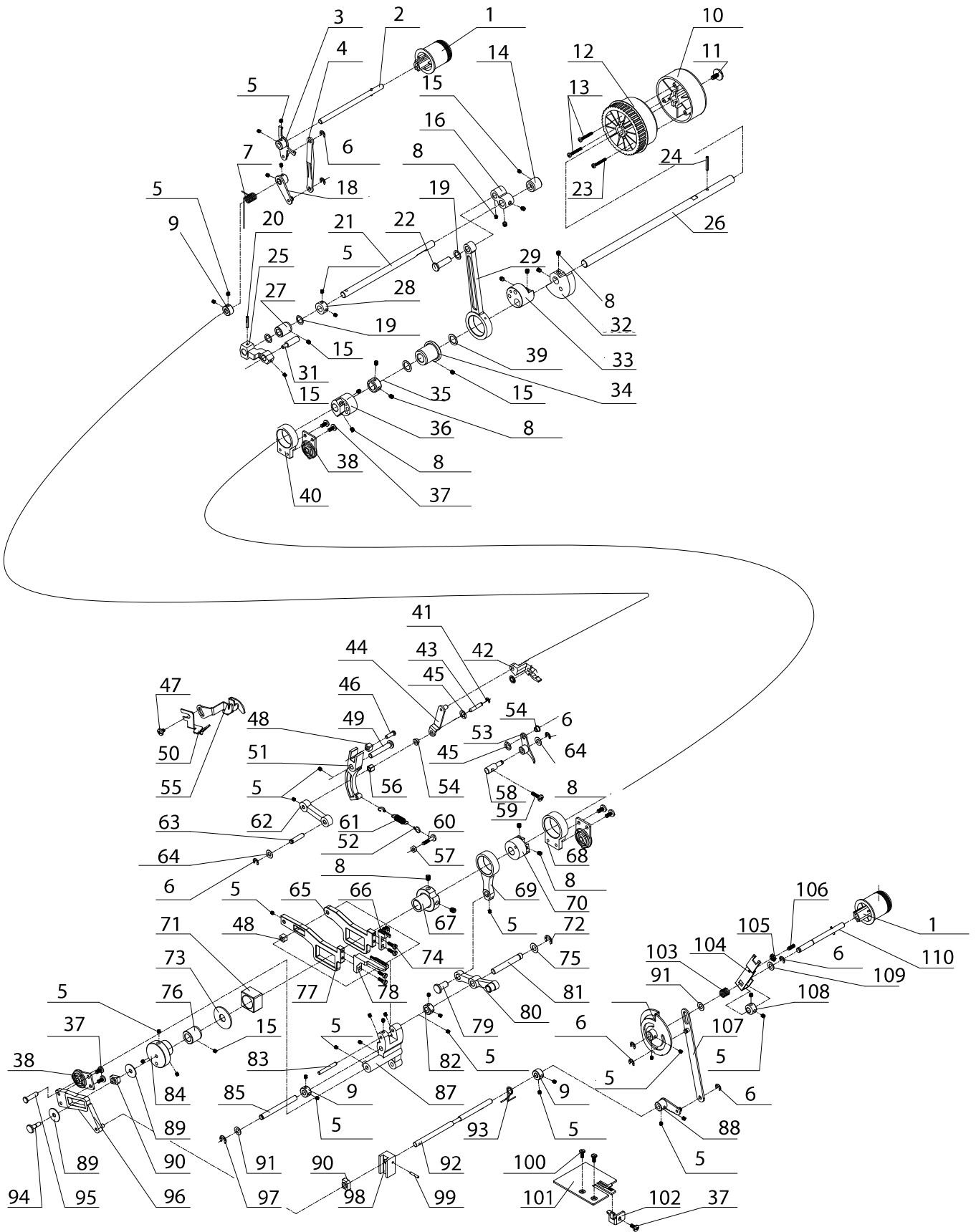
1	68019571	Footcontrol 110V
	68019635	Footcontrol 220V
2	68019572	Motor 110V
	68019624	Motor 220V
3	68021394	Screw M2.5×12
4	68019573	Motor flywheel
5	68019574	Motor flywheel cover
6	68021395	Hexagon bolt with washer
7	68019575	Belt
8	68021399	Wire guide frame
9	68021266	Screw M4×8
10	68021400	Tapping screw ST2.9×9.5
11	68021401	Micro switch top cover
12	68021402	Micro switch
13	68021403	Micro switch button
14	68021404	Spring
15	68021405	Micro switch bottom cover
16	68021406	Close terminal
17	68021300	Screw M4×5
18	68021097	Motor
19		
20	68021407	Switch holder
21	68021408	Switch
22	68021409	Face cover
23	68021410	Face cover
24	68021411	Power insulation box
25	68021412	LED light set
26	68021413	Light board box
27	68021414	Tapping Screw ST3×6
28	68021415	Connector support
29	68021094	Nylon cable ties
30	68021416	Cable clamp
31	68021417	Flat washer

F



1	68021278	Snap ring E-4
2	68021421	Pressure adjust knob
3	68021422	Presser foot adjust plate
4	68021423	Support
5	68021373	Flat washer
6	68021266	Screw M4×8
7	68021433	Resin washer
8	68021434	Press accessories plate
9	68021435	Presser foot lifter support
10	68021436	Spring
11	68021437	Screw M4
12	68021438	Screw M4
13	68021439	Pressure plate
14	68021300	Screw M4×5
15	68019576	Presser foot lifter
16	68021384	Set screw M5×5
17	68021440	Pressure lever guide frame
18	68021441	Presser foot lifter fix plate
19	68020936	Snap ring E-5
20		
21		
22	68021442	Differential crank
23	68021443	Adjust shaft
24	68037515	Pressure lever guide frame
25	68021446	Needle bar shaft sleeve
26	68021001	Set screw M4×4
27	68021021	Set screw M4×3
28	68021447	Balance shaft sleeve
29	68021448	Needle bar connect
30	68021449	Connect plate
31	68021548	Internal teeth lock washer CS-4
32	68021450	Needle bar connecting rod
33	68021451	Presser foot screw
34		
35	68021453	Pressure lever
36		
37	68021454	Internal teeth lock washer CS-6
38	68019577	Presser foot bracket
39	68019578	Presser foot
40	68021455	Needle bar
41		
42	68021456	Shaft sleeve
43	68019579	Needle clamp body
44	68021457	Screw M3×8
45	68019580	Needle set screw
46		Needle
47	68019581	Needle bar guide thread
48	68019582	Wire feeder guide frame

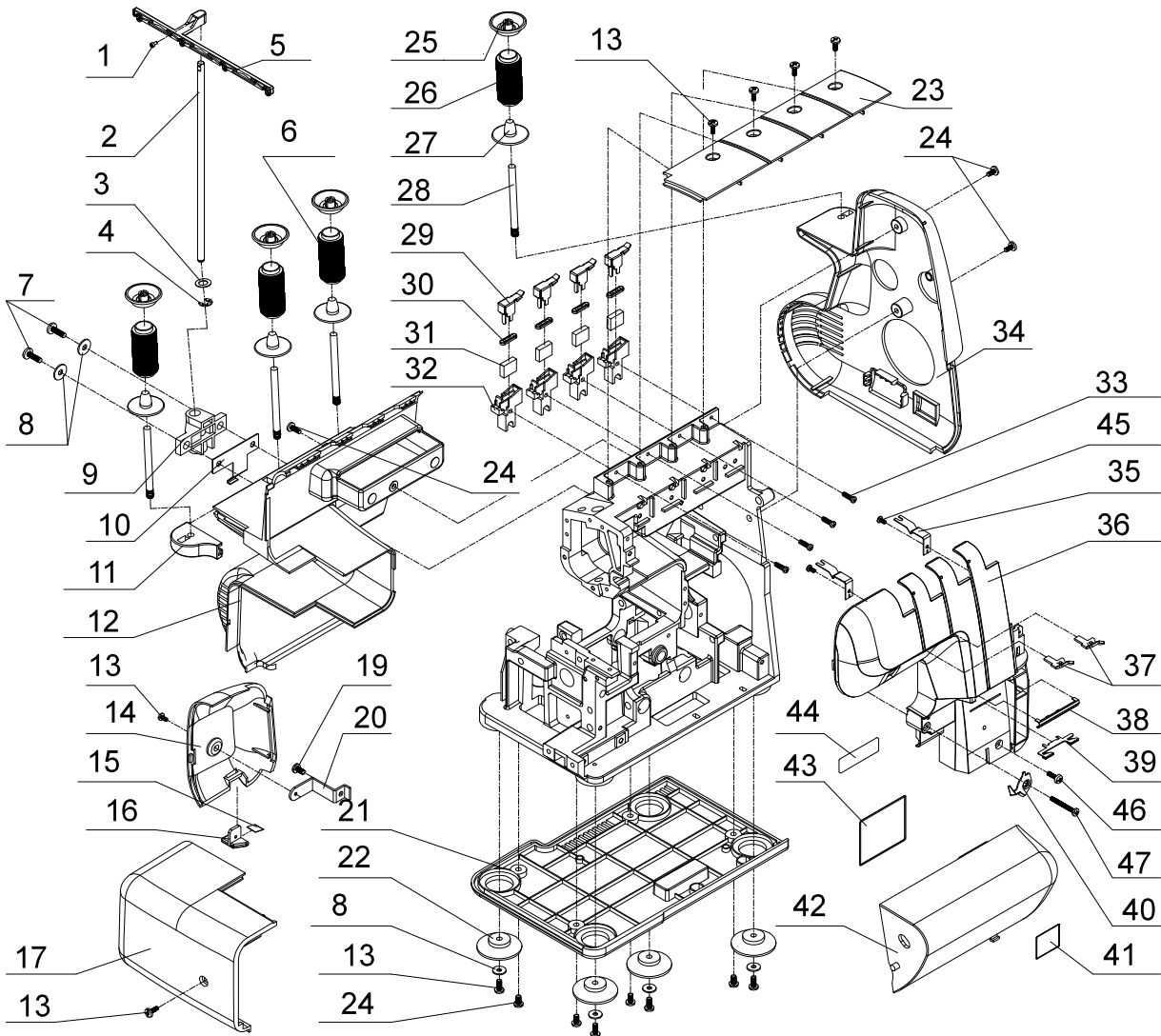
G



1	68019583	DF dial	56	68021491	Feeding slider
2	68021458	Differential knob fulcrum	57	68021203	Hex nut M4
3	68021460	Differential crank	58	68021492	Balance fulcrum
4	68021445	Differential crank	59	68021561	Screw M4×14
5	68021001	Set screw M4×4	60	68021493	Screw M4×18
6	68021278	Snap ring E-4	61	68021495	Spring
7	68021265	Spring	62	68021496	Connecting crank
8	68021384	Set screw M5×5	63	68021497	Crank fulcrum
9	68021308	Stop collar	64	68021466	Flat washer
10	68019584	Flywheel	65	68021468	Feeding table
11	68019589	Screw M5	66	68019591	Main feed tooth
12	68019590	Spindle belt pulley	67	68021470	Up & down eccentric cam
13	68021316	Tapping Screw ST3×20	68	68021471	Connect cover
14	68021261	Shaft sleeve L14	69	68021388	Cut connecting rod
15	68021299	Set screw M4×5	70	68021472	Cuting cam
16	68021317	Upper shaft crank	71	68021473	Up & down slider
17			72	68021563	Snap ring E-6
18	68021328	Differential crank	73	68021474	Nylon washer
19	68021387	Washer	74	68021475	Screw
20	68021051	Spring pin	75	68021685	Flat washer
21	68021396	Upper shaft	76	68021477	Shaft sleeve
22	68021420	Upper shaft crank connecting pin	77	68021478	Feeding table
23	68021089	Tapping Screw ST3×12	78	68019592	Assistant feed tooth
24	68021424	Spring pin	79	68021479	Blade connecting pin
25	68021425	Upper shaft crank	80	68021494	Blade connecting group
26	68021427	Spindle	81	68021498	Blade connecting fulcrum
27	68021258	Shaft sleeve L17	82	68021116	Stop collar Φ7
28	68021259	Shaft sleeve	83	68021499	Feeding table fulcrum
29	68021428	Upper shaft connecting rod	84	68021500	Feeding eccentric cam
30			85	68021501	Feeding crank fulcrum
31	68021429	Upper shaft crank connecting pin	86		
32	68021430	Balancing cam	87	68021577	Feeding crank
33	68021432	Upper shaft eccentric cam	88	68021578	Feeding dial crank
34	68021459	Shaft sleeve	89	68021580	Washer
35	68021461	Stop collar	90	68021549	Feeding slider
36	68021476	Upper looper eccentric cam	91	68021303	Flat washer
37	68021266	Screw M4×8	92	68021582	Feed regulator fulcrum
38	68021480	Connecting crank	93	68021587	Spring
39	68021053	Washer	94	68021588	Feeding cam connecting pin
40	68021481	Connecting sleeve	95	68021589	Feeding crank connecting pin
41	68021136	Snap ring E-3	96	68021590	Feeding connecting crank
42	68021482	Differential crank	97	68020936	Snap ring E-5
43	68021483	Differential crank fulcrum	98	68021591	Adjust chute
44	68021484	Differential crank	99	68021592	Spring pin
45	68021454	Internal teeth lock washer	100	68019561	Screw M4
46	68021485	Connecting pin	101	68019593	Needle plate
47	68021300	Screw M4×5	102	68021593	Needle plate support
48	68021486	Slider	103	68021687	Spring
49	68021487	Feeding crank pin	104	68021594	Winding plate
50	68021688	Thread	105	68021275	Nut M4
51	68021489	Feeding crank	106	68021030	Set screw M4×10
52	68021000	Spring hook	107	68021595	Feeding adjust crank
53	68021490	Balance	108	68021596	DT Stop collar
54	68021447	Balance shaft sleeve	109	68021373	Flat washer
55	68021689	Balance guide threader	110	68021597	Feeding knob shaft

G

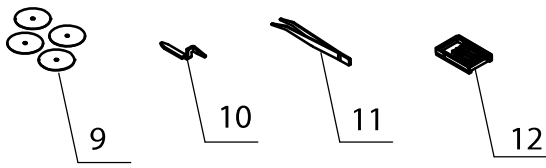
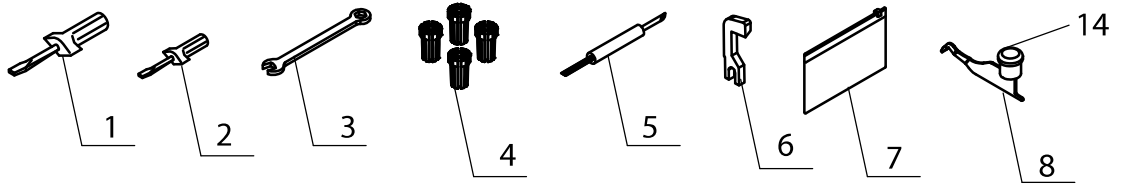
# H





1	68021457	Screw M3×8
2	68019594	Spool pins fulcrum
3	68021798	Flat washer
4	68021563	Snap ring E-6
5	68019595	Platics fulcrum
6	68021799	Cotton
7	68021801	Screw M4×12
8	68021802	Flat washer
9	68021803	Spool pin limited block
10	68021804	Leaf spring
11	68021805	Accessories spool
12	68021806	Back cover
13	68021157	Screw M4×10
14	68021807	Face cover
15	68015728	Blade
16	68015728	Thread cutter holder
17	68021808	Base cover
18		
19	68021266	Screw M4×8
20	68021809	Face cover support
21	68021810	Bottom cover
22	68019596	Rubber suction cups
23	68021431	Side cover
24	68021138	Screw M4×8
25	68019597	Spool cover
26	68021812	Cotton
27	68019598	Spool set
28	68021814	Spool
29	68021815	Thread guider plate
30	68021816	Thread guider dish
31	68021616	Felt
32	68021819	Line case inside the body
33	68021089	Tapping Screw ST3×12
34	68021820	Side cover
35	68021821	Front cover fixed plate
36	68021822	Right cover
37	68021823	Threading holder
38	68021824	Threading spring
39	68021827	Thread guide
40	68021826	Upper looper thread guider
41	68021830	Sticker
42	68021831	Leaf case
43	68021832	Sticker
44	68021615	Rating label
45	68021249	Tapping Screw ST4×9
46	68021283	Screw M4×12
47	68021833	Screw M4×30

I



1	412381501	Screw driver medium
2	412289001	Screw driver small
3	68021184	Wrench
4	416360701	Spool holder
5	413190401	Brush
6	68019565	Upper blade
7	68021187	Accessories bag
8	68021188	Two-thread converter
9	68021190	Spool disc
10	68021191	Stitch finger (B)
11	416373101	Tweezer
12	68013283	Needle box
13		
14	68021613	Plug