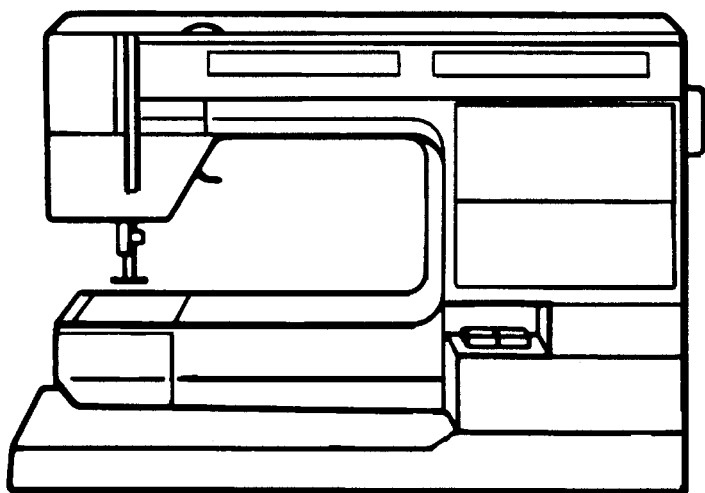


***Spare parts***  
***Ersatzteile***  
***Pièces détachées***  
***Reservdelar***



**1250**

**# 1+**

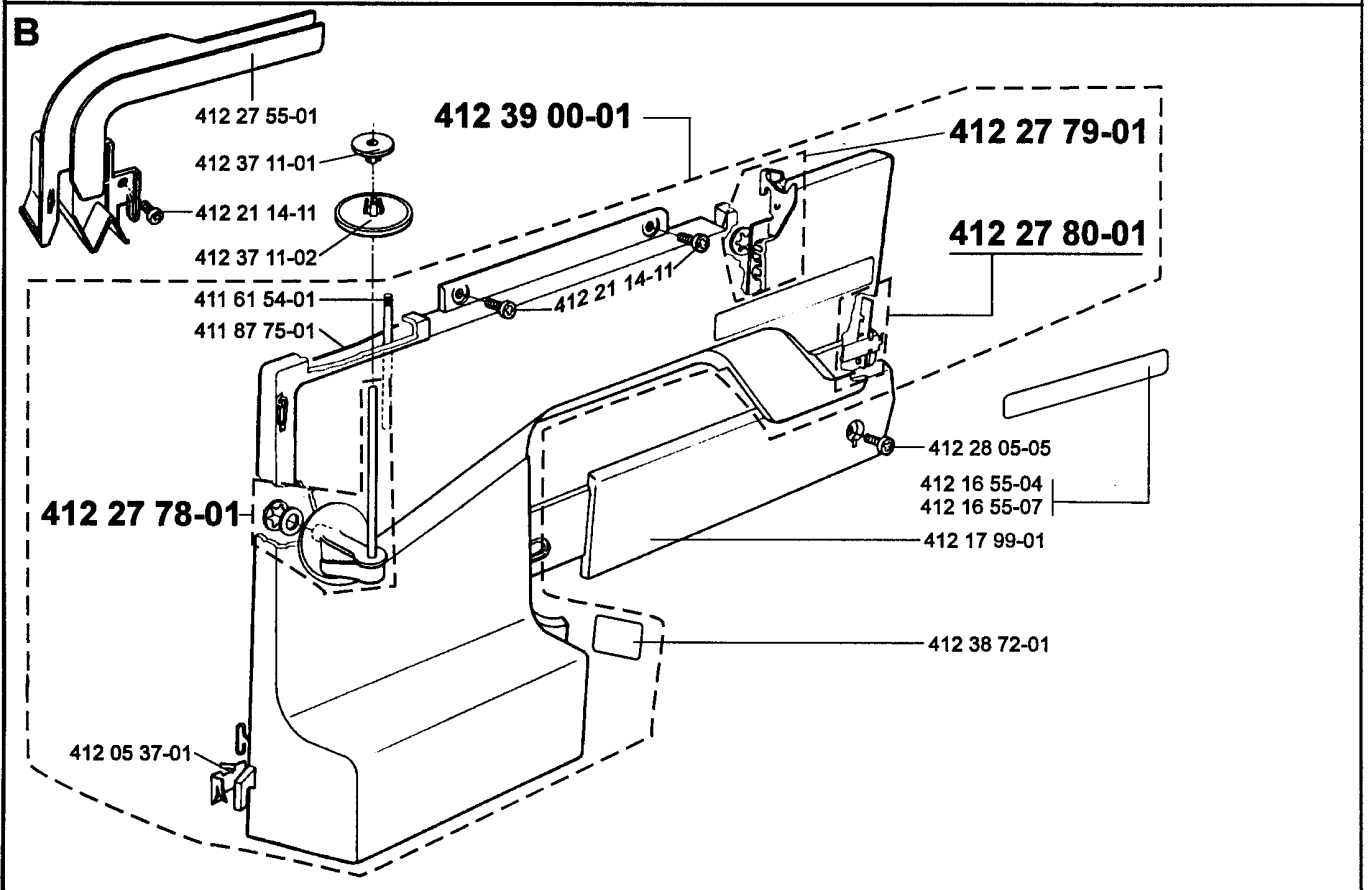
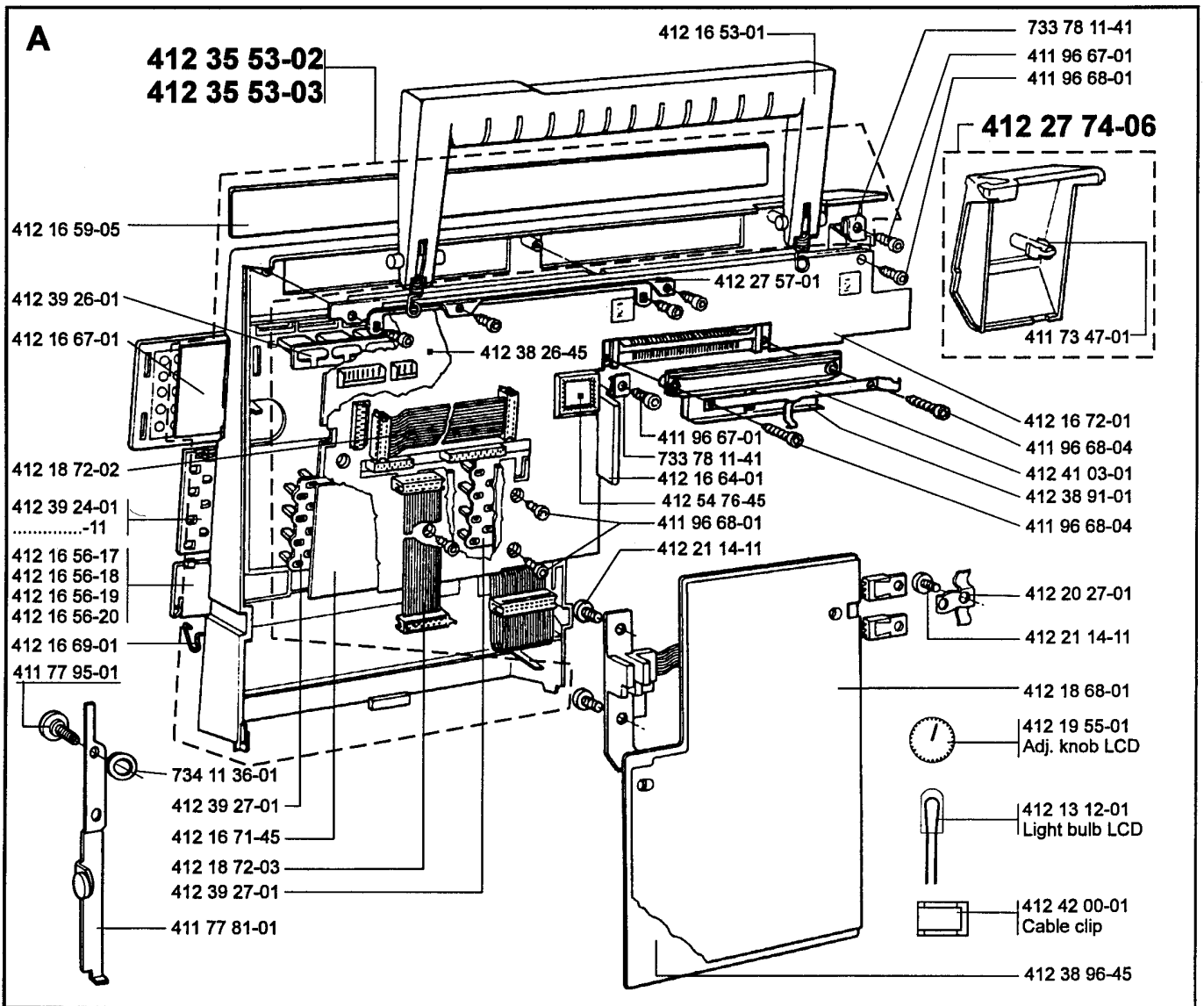
---

** Husqvarna**

**104 21 76-96**

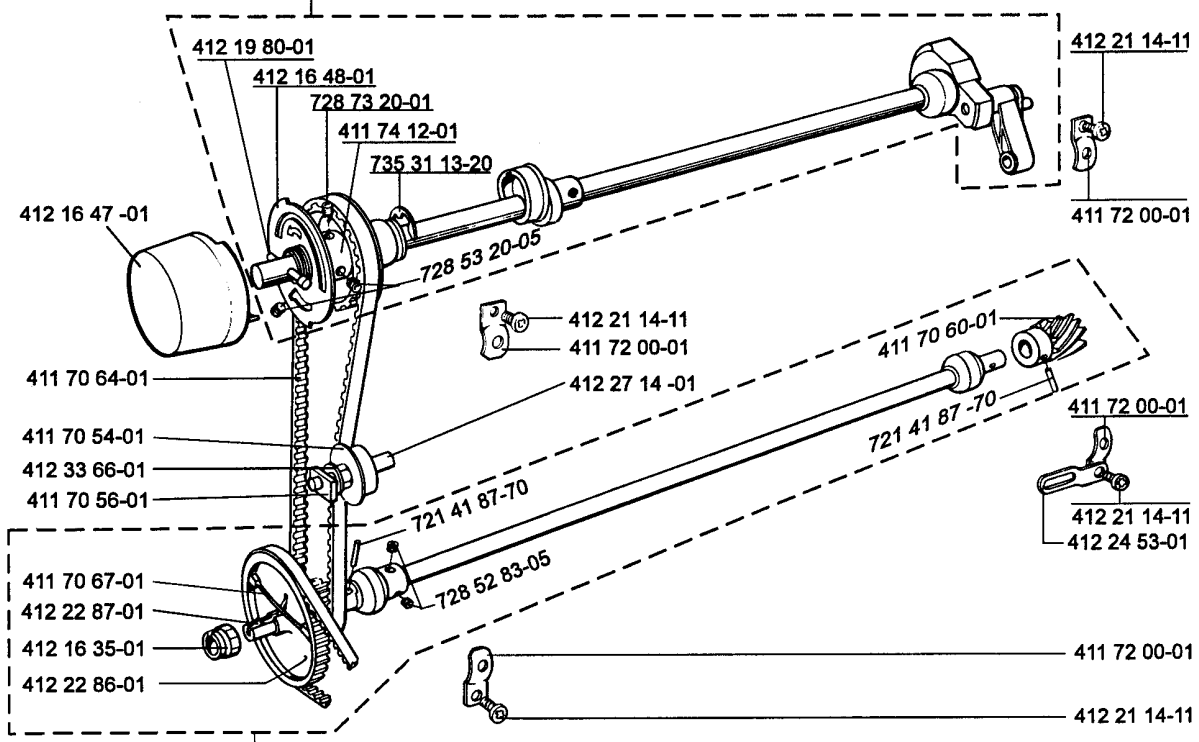
(Replaces 104 21 71-96)

Part no.	Description	Square	Part no.	Description	Square	Part no.	Description	Square
411 49 42-04	Driving wheel, motor	F	412 16 67-01	Foil keyboard	A	412 39 15-01	Bearing sleeve	E
411 50 93-01	Set ring	E	412 16 69-01	Thread guide	A	412 39 18-01	Cushion	G
411 54 38-01	Guide arm	E	412 16 71-45	PC- board, guide	A	412 39 24-01	Panel, guide, Swedish	A
411 61 54-01	Thread pin	F	412 16 72-01	Insulation plate	A	412 39 24-02	Panel, guide, Danish	A
411 62 41-01	Washer	B	412 16 74-03	Thread tension device. compl.	F	412 39 24-03	Panel, guide, Finnish	A
411 63 24-02	Screw	E	412 16 89-01	Spring	D	412 39 24-04	Panel, guide, Norwegian	A
411 68 92-01	Screw	C	412 16 91-01	Clamp	D	412 39 24-05	Panel, guide, English	A
411 70 54-01	Belt roll	C	412 16 95-01	Block	D	412 39 24-06	Panel, guide, French	A
411 70 56-01	Nut	C	412 16 96-01	Dolly fork	D	412 39 24-07	Panel, guide, Dutch	A
411 70 58-05	Lower shaft, compl.	C	412 16 97-01	Spring	D	412 39 24-08	Panel, guide, Italian	A
411 70 60-01	Worm gear	C	412 16 99-01	Connecting rod, compl.	D	412 39 24-09	Panel, guide, Spanish	A
411 70 64-01	Cog belt	C	412 17 00-02	Feeding mechan., compl.	D	412 39 24-10	Panel, guide, German	A
411 70 67-01	Spring	C	412 17 14-01	Bearing	D	412 39 24-11	Panel, guide, Japanese	A
411 70 78-01	Thread cutter	F	412 17 20-01	Spring	D	412 39 26-01	Push button assembly	A
411 70 83-02	Adjustment casing	C	412 17 21-01	Slide pin	D	412 39 27-01	Push button assembly guide	A
411 71 59-01	Spring	F	412 17 52-01	Adjusting screw	F	412 39 71-01	Attachment motor, compl.	F
411 71 92-02	Cover, compl.	G	412 17 54-01	Regulating dial	F	412 40 04-01	Spring, new version	E
411 71 97-01	Spring	D	412 17 65-01	Lamp holder	F	412 40 98-01	Screw, needle clamp	E
411 72 00-01	Clamp	D	412 17 68-01	Dust shield	C	412 41 02-01	Rubber foot, extension table	G
411 72 01-01	Clamp	D	412 17 86-45	PC-board, transformer 220-240V	F	412 41 03-01	Spring	A
411 73 47-01	Binding clip	A	412 17 86-47	PC-board, transformer 120 V	F	412 41 46-01	Shaft, thread sensor	F
411 74 12-01	Driving wheel	C	412 17 86-48	PC-board, transformer 100 V	F	412 41 47-01	Sensor, thread sensor	F
411 74 45-01	Presser foot ankle	E	412 17 99-01	Cover plate, free arm	B	412 41 48-01	Holder, thread sensor	F
411 75 00-05	Needle bar, compl.	E	412 18 19-01	Spring	D	412 41 49-01	PC board, thread sensor	F
411 75 02-01	Needle clamp	E	412 18 37-01	Lower thread sensor, compl.	C	412 42 00-01	Cable clip	A
411 75 03-01	Stop, needle clamp	E	412 18 45-01	Foot	G	412 44 72-01	Needle bar frame compl.	E
411 75 04-01	Thread guide	E	412 18 68-01	Insulation plate	A	412 54 76-45	Program memory 1250	A
411 75 60-01	Screw	E	412 18 72-02	Cable mat	A	415 06 03-01	Foot	C
411 77 16-01	Guide spindle	C	412 18 72-03	Cable mat	A	721 41 87-70	Pin	F
411 77 53-01	Cog belt	F	412 19 06-01	Hook cover, compl.	C	723 12 27-01	Screw M3x14 mm	D
411 77 69-01	Spring	E	412 19 53-01	Washer	D	724 11 68-01	Screw M2x10 mm	E
411 77 71-01	Spring	C	412 19 55-01	Adj. nob LCD	A	724 11 89-01	Screw M2,5x4 mm	F
411 77 81-01	Thread guide, compl.	A	412 19 59-01	Lamp guard	E	724 12 89-01	Screw M4x10 mm	F
411 77 95-01	Shoulder screw	A	412 19 79-01	Arm shaft, compl.	C	724 12 92-01	Screw M4x14 mm	F
411 78 10-03	Light bulb	E,F	412 19 80-01	Pin	C	725 52 20-05	Screw M3x6 mm	F
411 78 12-01	Feed dog lowering, compl.	D	412 19 85-01	Step motor	F	725 52 27-00	Screw M3x14 mm	E
411 78 20-11	Switch, feed dog lowering	D	412 20 11-01	Length feeding fork, compl.	D	725 52 32-00	Screw M3x25 mm	E
411 78 20-12	Main switch	D	412 20 27-01	Mounting clip	A	728 52 17-05	Screw M3x3 mm	D,E
411 78 21-01	Lamp guard	F	412 21 01-02	Feed dog	D	728 52 18-05	Screw M5x6 mm	E
411 78 30-01	Screw	C	412 21 14-01	Screw M3x4 mm	D,E	728 52 83-05	Screw	C
411 78 36-01	Spring	D	412 21 14-03	Screw M3x8 mm	E	728 52 87-05	Screw M4x8 mm	E
411 78 38-01	Thread guide	E	412 21 14-06	Screw M3x14 mm	D	728 53 20-05	Screw M5x5 mm	C
411 78 40-01	Screw	C	412 21 14-11	Screw M4x8 mm	A,B,C,D,F	728 73 20-01	Screw M5x5 mm	C
411 79 05-01	Screw	E	412 21 14-14	Screw M4x16 mm	D	728 83 23-05	Screw M5x8 mm	C
411 83 81-01	Cable, motor	F	412 22 36-45	Transformer 220 V	F	731 23 10-01	Nut	D
411 83 88-02	Cable mat	F	412 22 36-46	Transformer 240 V	F	733 78 11-41	Quick-acting lock nut	A
411 87 75-01	Spring	B	412 22 36-47	Transformer 120 V	F	734 11 36-01	Washer	A,F
411 88 43-01	Hold down spring	C	412 22 36-48	Transformer 100 V	F	734 11 40-01	Washer	F
411 96 02-03	Screw	C	412 22 52-01	Screw	C	735 11 35-71	Washer	E
411 96 67-01	Screw 22 mm	A	412 22 53-01	Bushing	C	735 31 06-20	C-washer	E
411 96 68-01	Screw 7.5 mm	A,F	412 22 55-01	Micro switch, compl.	C	735 31 09-20	C-washer	F
411 96 68-04	Screw 14 mm	A	412 22 70-01	Lamp holder, compl.	E	735 31 13-20	C-washer	C
412 00 07-01	Screw	D	412 22 80-01	Setting screw	D	735 58 35-00	Locking washer	F
412 00 86-01	Shoulder screw	E	412 22 82-01	Thread take up lever, compl.	E	735 61 36-40	Compression ring 4 mm	D
412 00 87-01	Adjusting nut	E	412 22 86-01	Driving wheel lower shaft	C			
412 00 88-01	Nut	E	412 22 87-01	Lever	C			
412 02 74-01	Bobbin winding, compl.	F	412 22 98-01	Locking nut	D			
412 02 75-01	Locking ring	F	412 24 53-01	Cable guide	C			
412 05 37-01	Thread cutter	B	412 24 74-02	Accessory box, compl.	G			
412 05 60-01	Screw M5x14 mm	F	412 25 80-01	Access. bag with brush, bobbins etc	G			
412 05 60-07	Screw M4x16 mm	F	412 26 79-01	Spring	E			
412 05 60-11	Screw M3x5 mm	D	412 26 81-01	Access. bag with presserfeet etc	G			
412 08 49-01	Hook	C	412 27 14-01	Shaft, belt roll, compl.	C			
412 08 84-01	Extension table compl.	G	412 27 21-01	Spring, old version	E			
412 08 87-01	Nut	C	412 27 48-01	Shaft, pin	F			
412 09 68-02	Finger	C	412 27 55-01	Cable holder	B			
412 09 69-01	Latch	C	412 27 57-01	Mounting clamp	A			
412 09 72-02	Bobbin case, compl.	C	412 27 74-06	Front cover, sewing head	A			
412 09 74-01	Thread tension spring	C	412 27 75-01	Lifting pin, compl.	D			
412 13 12-01	Light bulb LCD	A	412 27 76-01	Shaft, feed dog, compl.	D			
412 15 00-03	Sewing head, compl.	E	412 27 77-01	Thread tension set, compl.	F,G			
412 15 02-01	Lifting arm	E	412 27 78-01	Thread holder, compl.	B			
412 15 11-01	Plate	E	412 27 79-01	Thread guide, compl.	B			
412 15 14-01	Shaft, sewing frame	E	412 27 80-01	Thread cutter, sewing	B			
412 15 15-01	Pressar bar	E	412 27 91-01	Foot control, compl.	G			
412 15 16-01	Spring	E	412 28 05-05	Screw	B			
412 15 23-01	Cross head, compl.	E	412 31 89-01	Control unit	G			
412 15 28-01	Toothed segment	E	412 32 04-01	Cover for transformer 220 V	F			
412 15 29-01	Link	E	412 32 04-02	Cover for transformer 240 V	F			
412 15 30-01	Spring	E	412 32 04-03	Cover for transformer 120 V	F			
412 15 31-01	Regulating dial	E	412 32 04-04	Cover for transformer 100 V	F			
412 15 53-01	Spring	E	412 32 34-01	Step motor	E			
412 15 54-01	Screw	E	412 32 34-02	Step motor	D			
412 15 77-01	Cord reel	G	412 33 62-01	Cog wheel	D			
412 15 78-01	Cord device, std	G	412 33 65-01	Stitch plate, compl.	C			
412 15 79-01	Cord device, USA-Can	G	412 33 66-01	Washer	C			
412 15 80-02	Cord device, England	G						
412 15 81-01	Cord device, Australia	G	412 33 70-01	Side motion mechanism	D			
412 15 93-01	Washer	E	412 33 73-01	Toothed segment	D			
412 15 98-01	Spring	G	412 33 74-01	Clips	D			
412 16 00-04	Foot control, cpl. without cable	G	412 33 75-01	Spring	D			
412 16 33-01	Spring	C	412 33 97-01	Motor	F			
412 16 34-01	Screw	C	412 34 59-01	Feeding guide, compl.	D			
412 16 35-01	Bobbin centre	C	412 34 93-01	Shuttle shaft, compl.	C			
412 16 37-01	Bearing ring, hook cover	C	412 35 53-02	Front cover, compl. HVA	A			
412 16 43-01	Hook cover	C	412 35 53-03	Front cover, compl. LUX	A			
412 16 47-01	Handwheel	C	412 37 11-01	Thread real holder 20 mm	B			
412 16 48-01	Screen	C	412 37 11-02	Thread real holder 40 mm	B			
412 16 53-01	Handle, compl.	A	412 38 26-45	LCD-board, compl.	A			
412 16 55-04	Name plate HVA	B	412 38 70-01	Holder	F			
412 16 55-07	Name plate LUX	B	412 38 71-01	Screw	F			
412 16 56-17	Name plate Vik. # 1 +	A	412 38 72-01	Cover	B			
412 16 56-18	Name plate Husqvarna 1250	A	412 38 91-01	Guide	A			
412 16 56-19	Name plate Husqvarna # 1 +	A	412 38 96-45	PC board	A			
412 16 56-20	Name plate LUX	A	412 39 00-01	Cover plate, upper arm, compl.	B			
412 16 59-05	Panel display	A	412 39 01-04	Base plate	F			
412 16 64-01	Code spring, cassette	A	412 39 11-01	Cable	F			
						412 39 15-01	Bearing sleeve	E
						412 39 18-01	Cushion	G
						412 39 24-01	Panel, guide, Swedish	A
						412 39 24-02	Panel, guide, Danish	A
						412 39 24-03	Panel, guide, Finnish	A
						412 39 24-04	Panel, guide, Norwegian	A
						412 39 24-05	Panel, guide, English	A
						412 39 24-06	Panel, guide, French	A
						412 39 24-07	Panel, guide, Dutch	A
						412 39 24-08	Panel, guide, Italian	A
						412 39 24-09	Panel, guide, Spanish	A
						412 39 24-10	Panel, guide, German	A
						412 39 24-11	Panel, guide, Japanese	A
						412 39 26-01	Push button assembly	A
						412 39 27-01	Push button assembly guide	A
						412 39 71-01	Attachment motor, compl.	F
						412 40 04-01	Spring, new version	E
						412 40 98-01	Screw, needle clamp	E
						412 41 02-01	Rubber foot, extension table	G
						412 41 03-01	Spring	A
						412 41 46-01	Shaft, thread sensor	F
						412 41 47-01	Sensor, thread sensor	F
						412 41 48-01	Holder, thread sensor	F
						412 41 49-01	PC board, thread sensor	F
						4		

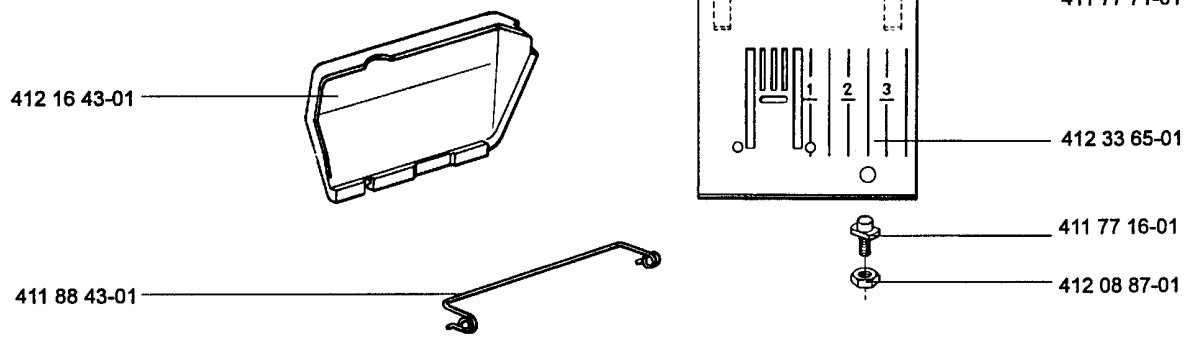


**C**

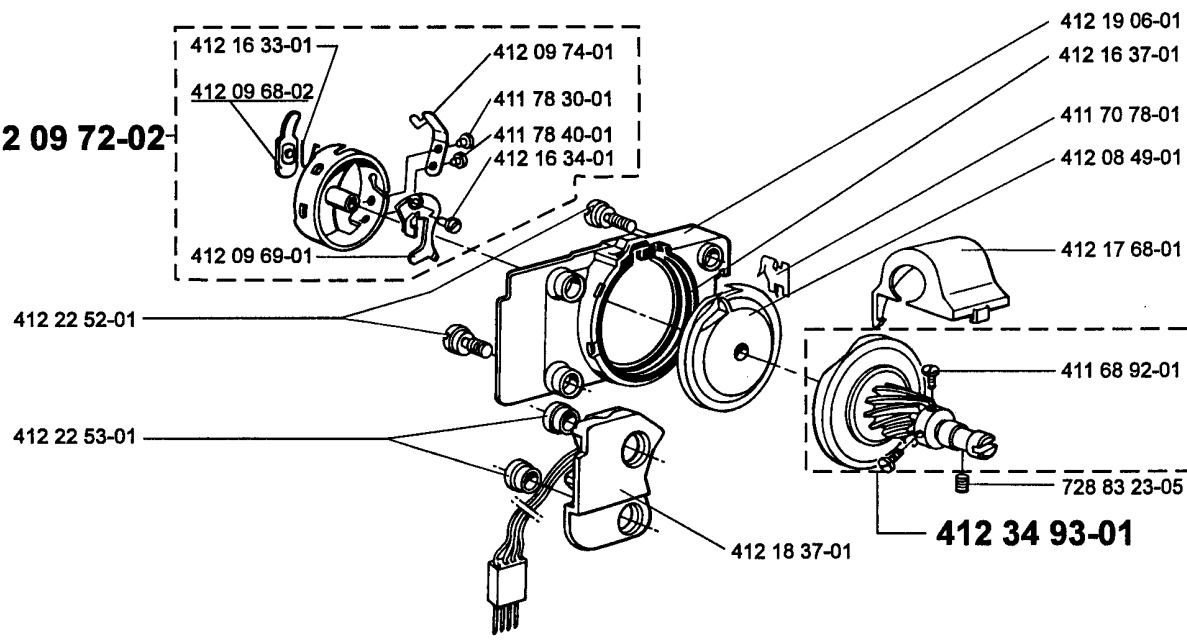
**412 19 79-01**



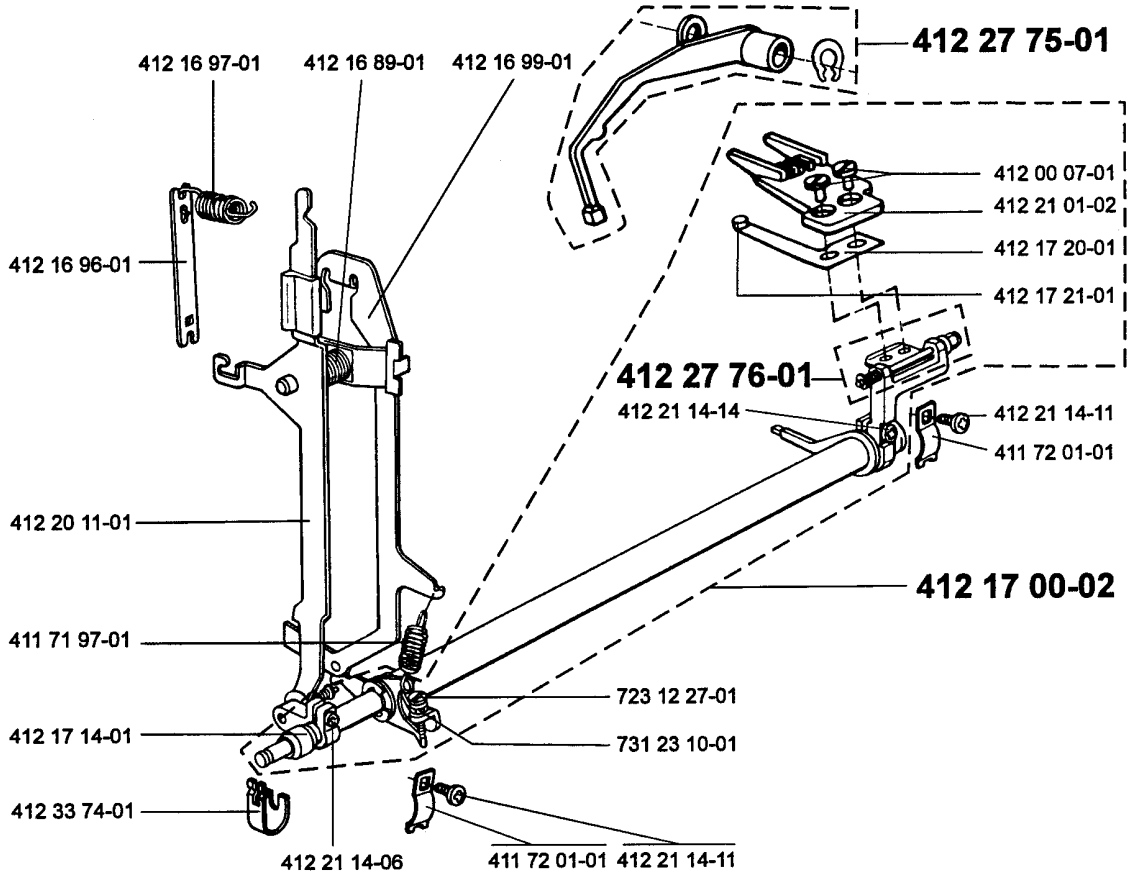
**411 70 58-05**



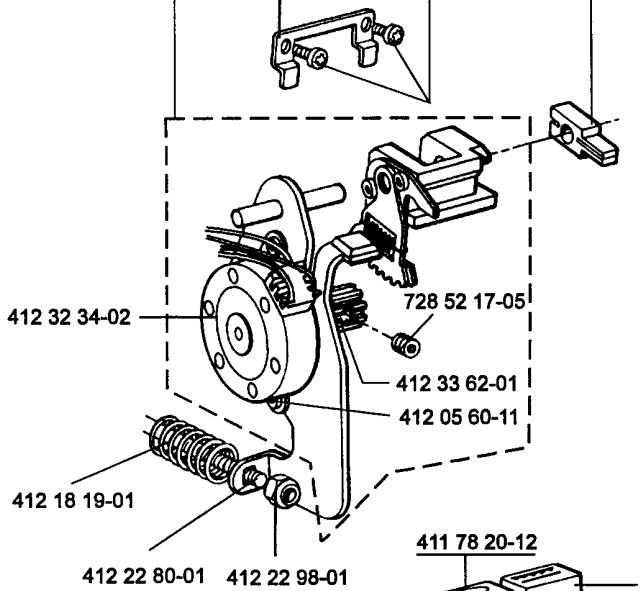
**412 09 72-02**



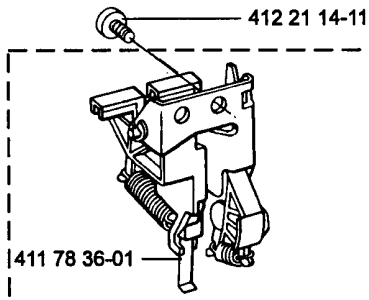
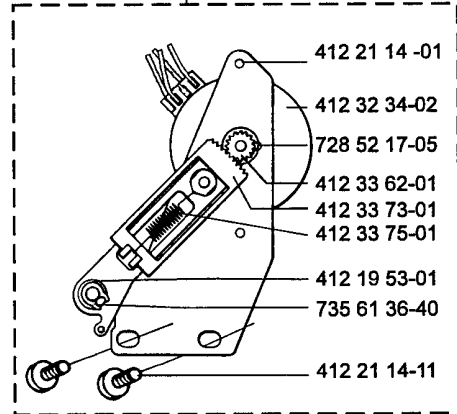
**D**



**412 34 59-01** 412 16 91-01 412 21 14-11 412 16 95-01



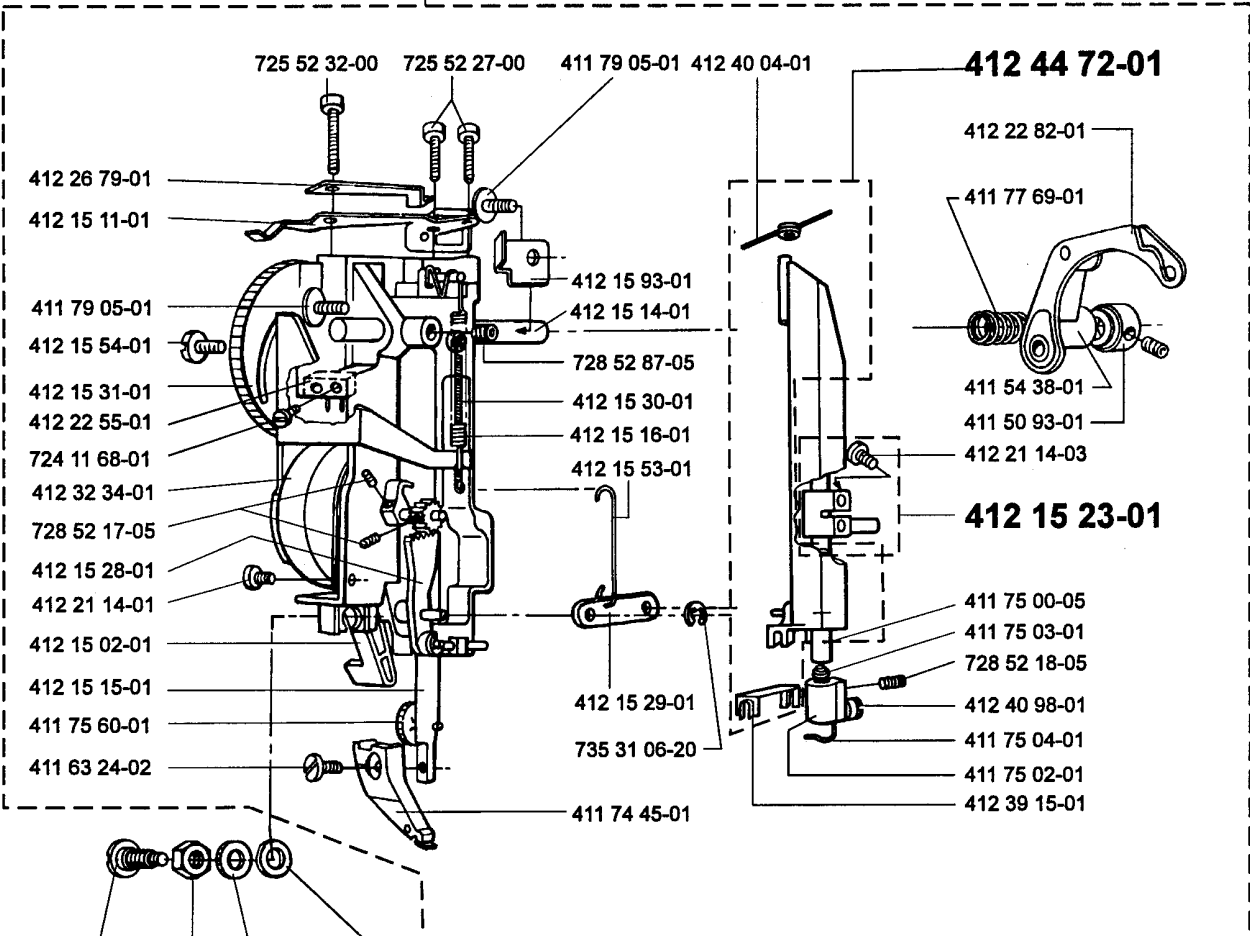
**412 33 70-01**



E

412 15 00-03

412 27 21-01  
old version



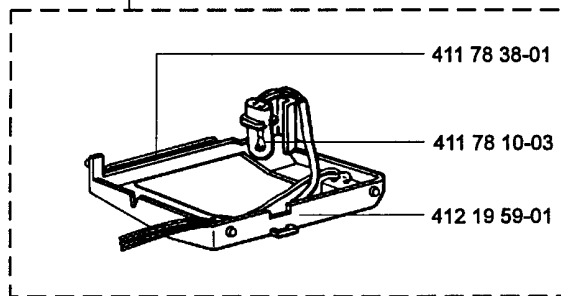
412 00 86-01

412 00 87-01

735 11 35-71

412 00 88-01

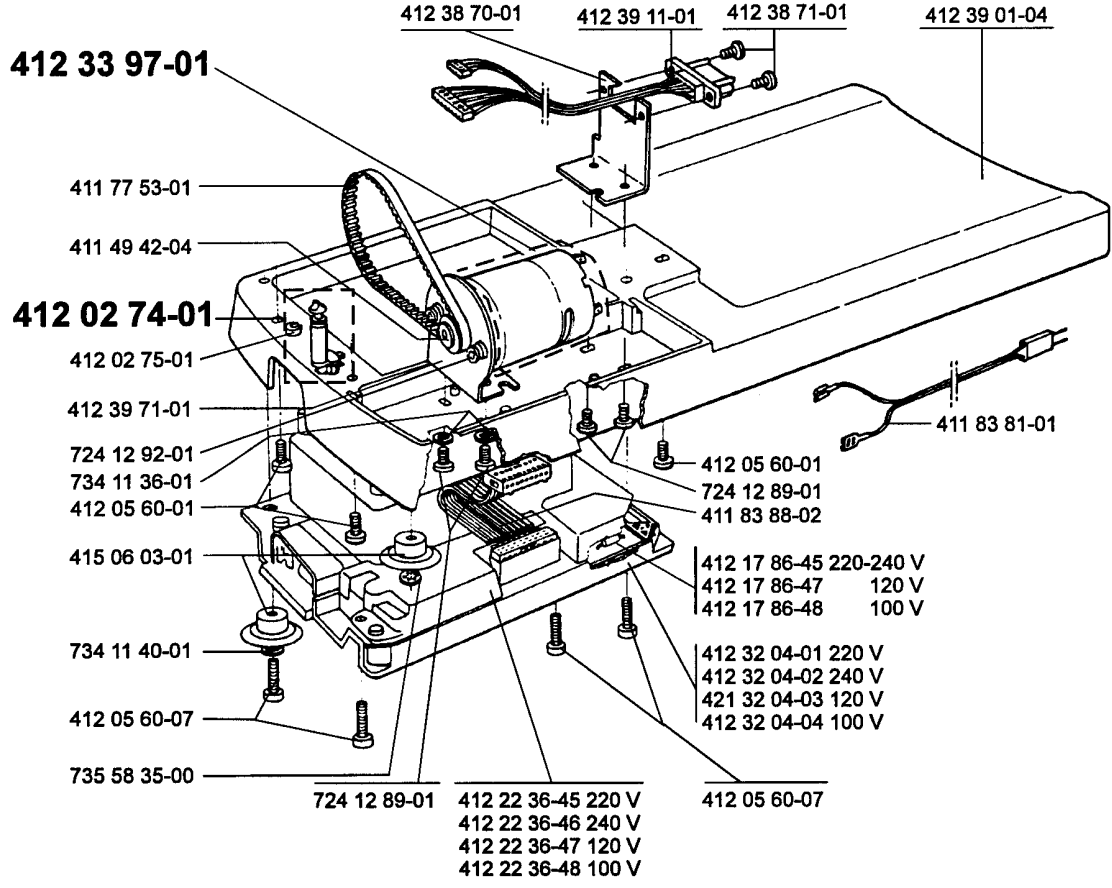
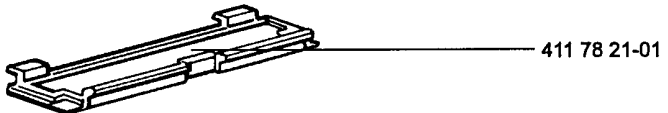
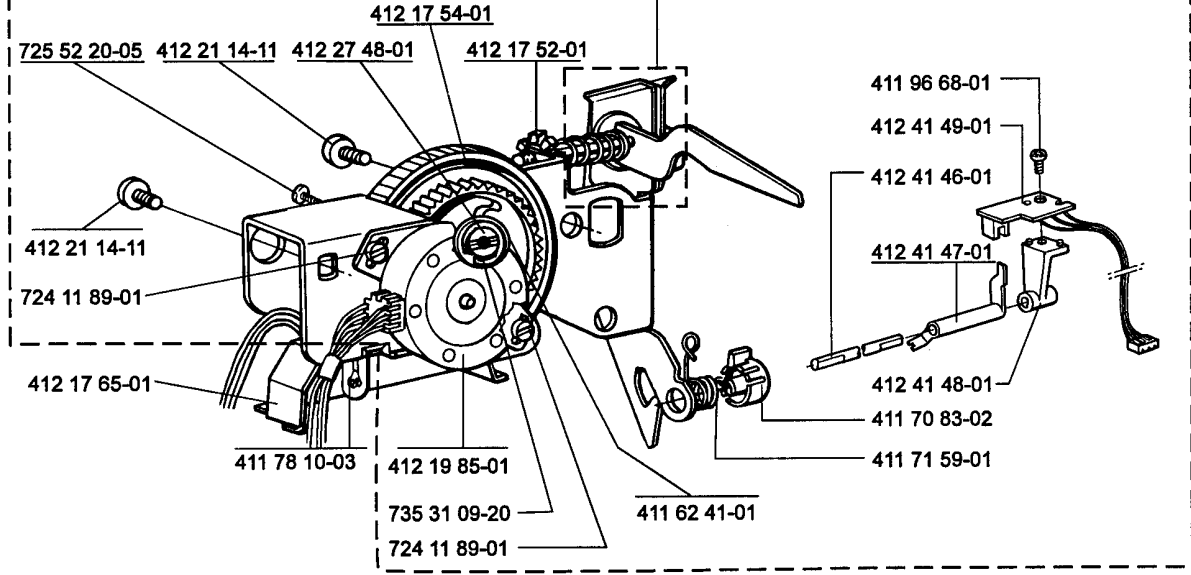
412 22 70-01



F

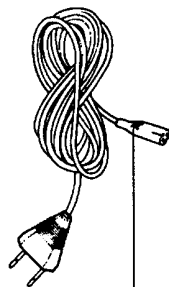
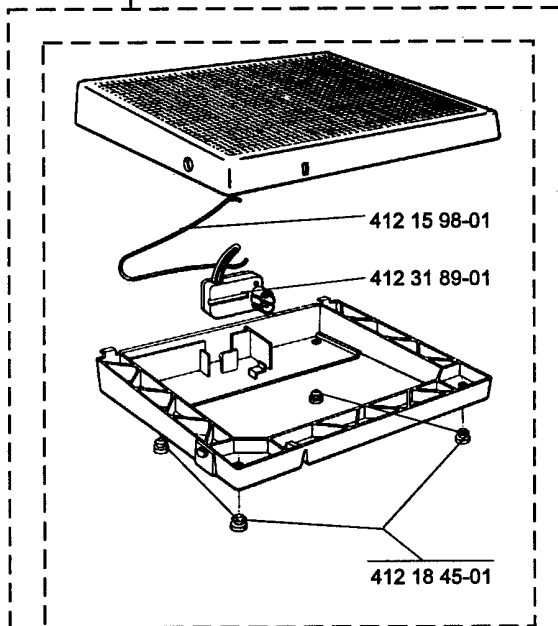
412 16 74-03

412 27 77-01

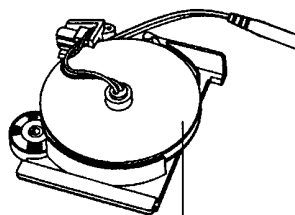


G

412 27 91-01



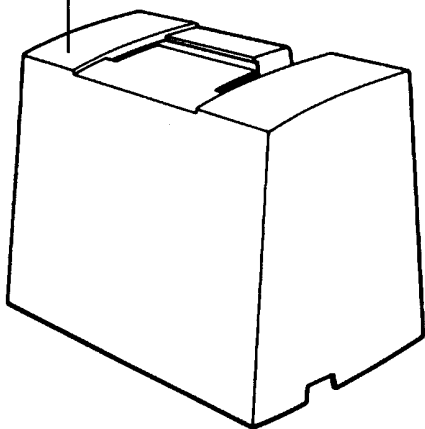
412 15 78-01 Stand.  
 412 15 79-01 USA, Can  
 412 15 80-02 England  
 412 15 81-01 Australia



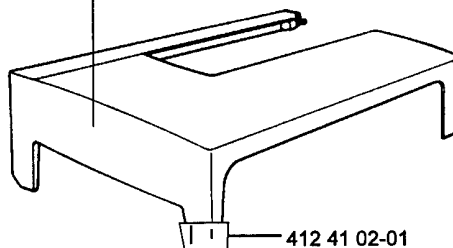
412 16 00-04

412 15 77-01

411 71 92-02

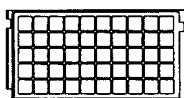


412 08 84-01

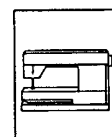


412 41 02-01

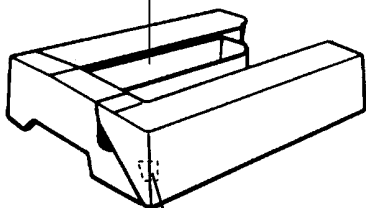
CASSETTES



OPERATING MANUAL



412 24 74-02



412 39 18-01



412 25 80-01  
 Brush, bobbins  
 e.t.c.



412 26 81-01  
 Presserfeet  
 e.t.c.



412 27 77-01  
 Thread tension  
 set



412 09 75-45  
 Bobbins (10)